

**SEEDERS**

**SDA-A**

**Code:** 0501090872  
**Series:** S-0608  
**Revision:** 00  
**Date Revision:** FEVEREIRO/2023

# PARTS CATALOGUE



**MARCHESAN**



# PRODUCTS

Code	Description
0112020699	SDA-A 19 S-0608
0112020691	SDA-A 23 CPF F310 S-0608
0112020705	SDA-A 29 S-0608
0112090040	SDA-A 3350/19E158 CPF F310 S-0608
0112090039	SDA-A 3980/23E158 S-0608
0112090041	SDA-A 4930/29E158 CPF F310 S-0608

## ATTENTION: IMPORTANT

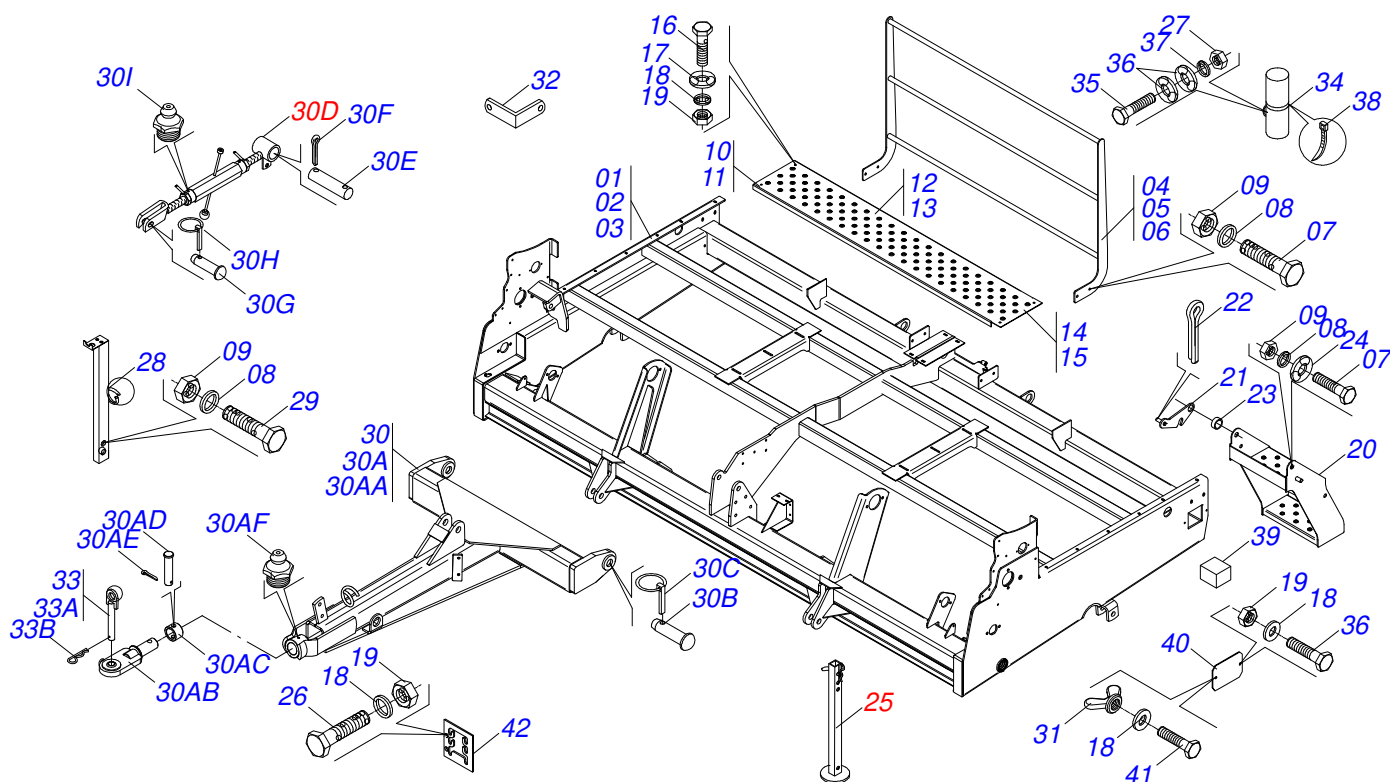
Marchesan S.A. reserves the right to improve and/or modify the technical features of its products, without obligation to do the same with those products already sold and without prior knowledge of the dealer or the customer. The photos are only illustrative.



**MARCHESAN**

# INDEX

0909094020	ASSY FRAME	.....	1
0501053168	ESTABILIZER DRAWBAR ASSY	.....	2
0511055098	REST ASSY	.....	3
0909091531	TRANSMISSION ASSY	.....	4
0909091534	GEAR BOX RIGHT/LEFT ASSY	.....	5
0501056271	GEARBOX CLOSED BEARING	.....	6
0501056447	CENTRAL DOUBLE GEAR HOUSING BEARING	.....	7
0501048790	AXLE WITH RING	.....	8
0909091529	TRANSMISSION DRIVING	.....	9
0909091532	SEED/FERTILIZER ROW ASSY	.....	10
0501056095	SPRING ROD	.....	11
0909091535	IRON PRESS WHEEL	.....	12
0501053187	LEFT IRON PRESS WHEEL ASSY	.....	13
0501053186	RIGHT IRON PRESS WHEEL ASSY	.....	14
0909091533	DDE 15.1/2" X 15 RIGHT/LEFT	.....	15
0909091530	SEED/FERTIL HOUSING ASSY	.....	16
0503032990	SEED DISTRIBUTOR BOX ASSY	.....	17
0909091537	HYDRAULIC CIRCUIT	.....	18
0501041997	VALVE ASSY	.....	19
0511047284	HYDRAULIC CYLINDER 50,8 X 101,6 X 478 X 60	.....	20
0511047285	HYDRAULIC CYLINDER 44,45 X 85,70 X 444 X 180	.....	21
0501053834	MALE QUICK COUPLER	.....	22
0909091536	WHEEL SISTEM	.....	23
0501045095	WHEEL AND TIRE ASSY	.....	24
0501058488	WHEEL WITHOUT TIRE	.....	25
0501052968	AGRICULTURAL BEARING ASSY	.....	26

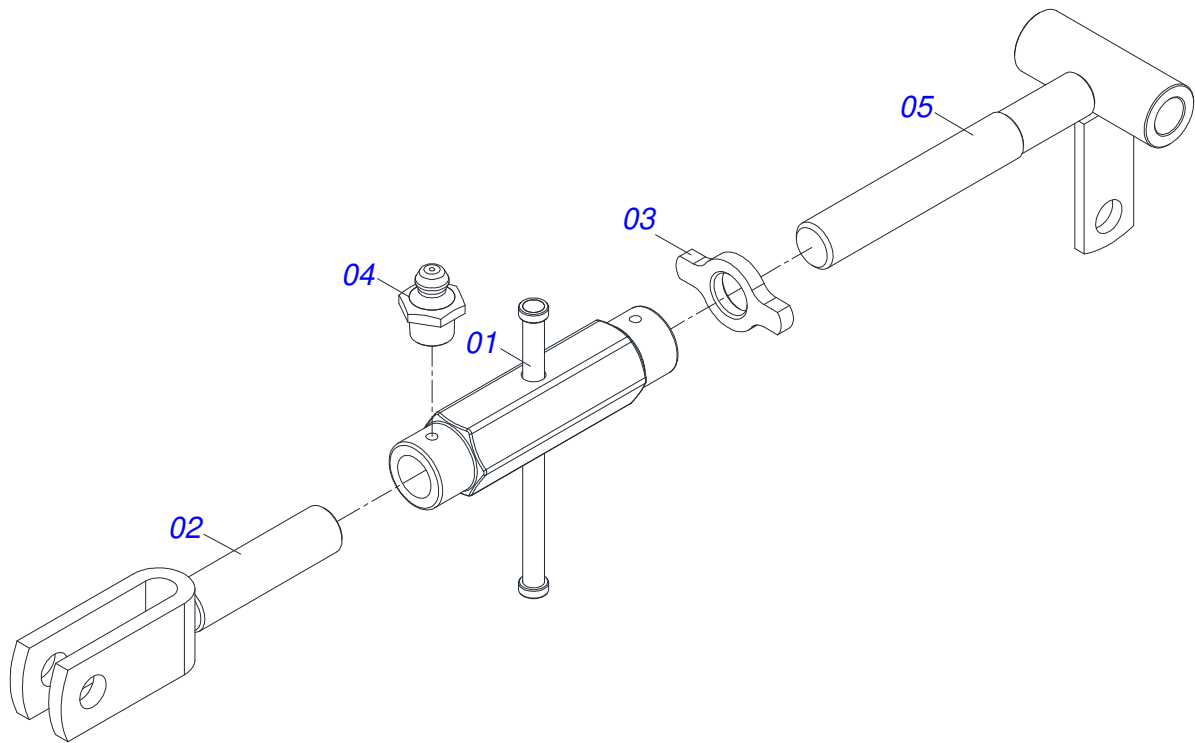


Item	Code	Description	See page	19	23	29
01	0521060159	FRAME - 19		01	00	00
02	0511069955	FRAME - 23		00	00	01
03	0521060190	FRAME - 29		00	00	01
04	0521060160	HANDRAIL - 19		02	00	00
05	0511069991	HANDRAIL - 23		00	02	00
06	0521060191	HANDRAIL - 29		00	00	02
07	0503010920	1/2 UNC X 1.1/2 C S G.5 ZN BOLT		10	10	10
08	0503010019	1/2" SPRING WASHER		12	12	12
09	0503010060	1/2 UNC G.5 ZN HEX NUT		12	12	12
10	0521060161	RIGHT REAR PLATFORM		01	00	00
11	0521060162	LEFT RAER PLATFORM		01	00	00
12	0511069972	1925 RIGHT REAR PLATAFORM		00	01	00
13	0511069973	2000 LEFT REAR PLATAFORM		00	01	00
14	0521060192	2410 RIGHT REAR PLATAFORM		00	00	01
15	0521060193	LEFT RAER PLATAFORM		00	00	01
16	0503010751	C3/8" X 1.1/4" HEX BOLT G.5		08	08	08
17	0501010984	10,50 X 27 X 3,00 FLAT WASHER		20	20	20
18	0503010025	3/8 SPRING WASHER		14	14	14
19	0503010026	3/8" NUT		12	12	12
20	0511069146	LADDER		01	01	01
21	0511069134	LADDER LOCK		01	01	01
22	0503010257	1/8" X 1" COTTERPIN		01	01	01
23	0531018627	0.5" X 1" X 0.2" SLEEVE		02	02	02
24	0511017302	FLAT WASHER 13,50 X 32,50 X 3,0 ZN		02	02	02
25	0511055098	REST ASSY	3	02	02	02
26	0503010237	3/8" X 1" BOLT		04	04	04
27	0503010337	5/16" NUT		01	01	01
28	0511062113	VALVE FIXATION SUPPORT		01	01	01
29	0503010395	1/2" X 1-1/4" BOLT		02	02	02
30	0511047331	DRAWBAR ASSY		01	01	01
30A	0511056027	DRAWBAR		01	01	01

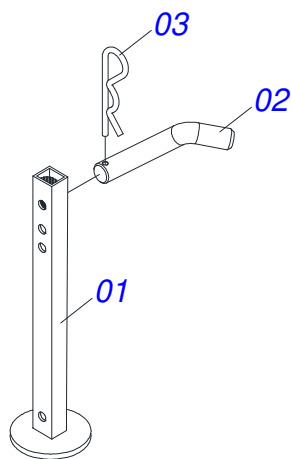


SDA-A  
ASSY FRAME

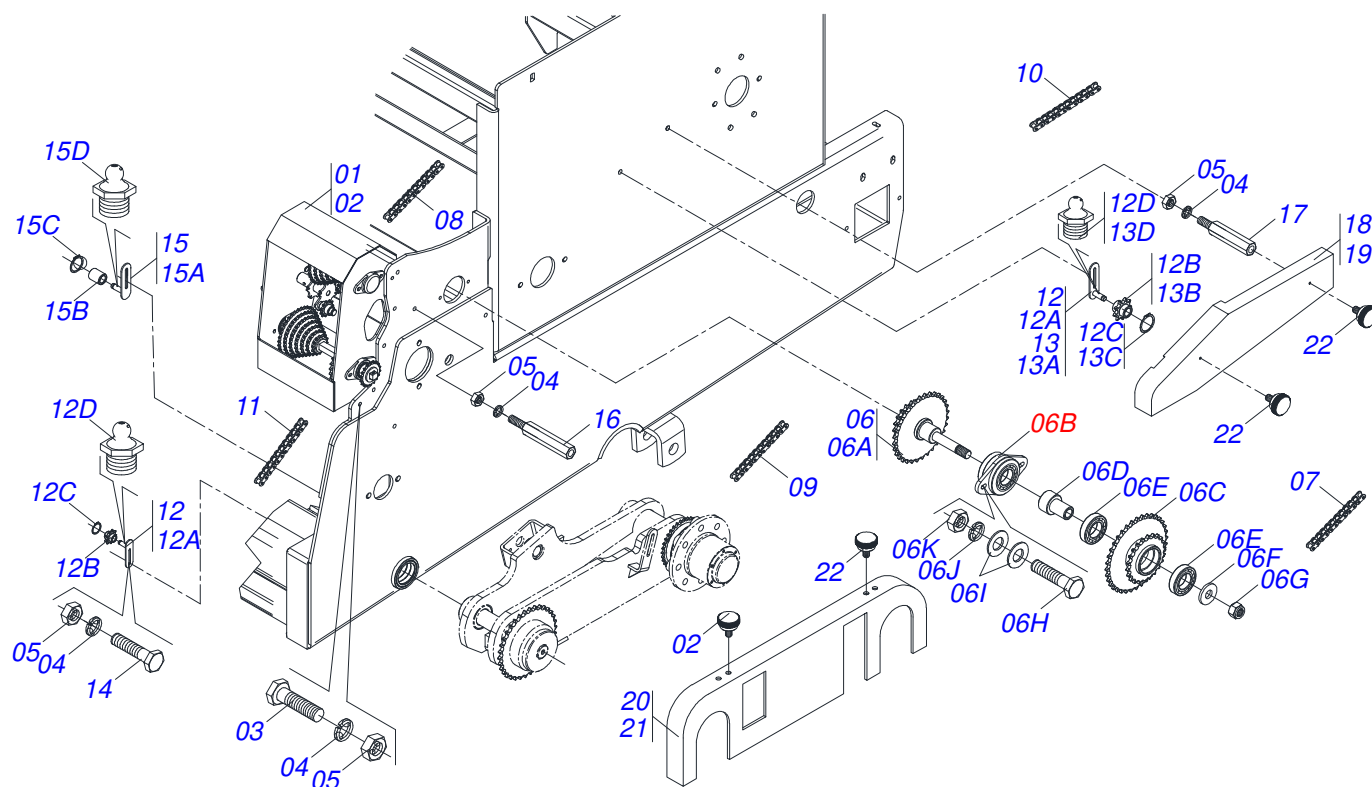
Item	Code	Description	See page	19	23	29
30AA	0511069982	DRAWBAR		01	01	01
30AB	0511062245	TRACTOR HITCH ASSY		01	01	01
30AC	0561010206	TRACTOR SPACER HITCH		01	01	01
30AD	0561010156	COUPLING SHAFT		01	01	01
30AE	0503010571	1/4" X 1.1/2 COTTERPIN		01	01	01
30AF	0503010002	1800 GREASE FITTING		02	02	02
30B	0511014394	1.25" X 4.13" COUPLING SHAFT		02	02	02
30C	0503030085	LOCK PIN		02	02	02
30D	0501053168	ESTABILIZER DRAWBAR ASSY	2	01	01	01
30E	0531010490	AXLE 1.12" X 8"		01	01	01
30F	0503010523	1/4" X 2" COTTERPIN		02	02	02
30G	0521010577	0.9" X 4.1" COUPLING SHAFT		01	01	01
30H	0503030085	LOCK PIN		01	01	01
30I	0503010002	1800 GREASE FITTING		01	01	01
31	0503010209	3/8" UNC BUTTERFLY NUT		02	02	02
32	0541016866	CLOAK MANUAL FIXER L		01	01	01
33	0501047881	AXIS JOINT ASSY		01	01	01
33A	0501068989	COUPLING SHAFT		01	01	01
33B	0503031035	HITCH PIN CLIP		01	01	01
34	0503060100	INSTRUCTIONS MANUAL CANISTER		01	01	01
35	0503010371	5/16" X 1" BOLT		01	01	01
36	0501010694	FLAT WASHER		02	02	02
37	0503010179	LOCK WASHER 5/16 ZN 1K01528		01	01	01
38	0503010267	NYLON CLAMP		01	01	01
39	0502020514	BLOCK 3.7" X 3.4" X 8.7"		18	18	21
40	0531010488	COUNTERBALANCE LATERAL COVER		02	02	02
41	0503011123	BOLT		02	02	02
42	0541016440	DOOR HOSE		01	01	01



Item	Code	Description	See page	QT
01	0501110262	245 ADJUSTMENT NUT		01
02	0501063936	LH TURNBUCKLE		01
03	0541818672	LOCKNUT		01
04	0503010002	1800 GREASE FITTING		02
05	0511062478	RIGHT TURNBUCKLE		01



Item	Code	Description	See page	QT
01	0511062112	25.6" PLOUGH SUPPORT		02
02	0501011075	PIN		02
03	0503030012	HITCH PIN CLIP		02



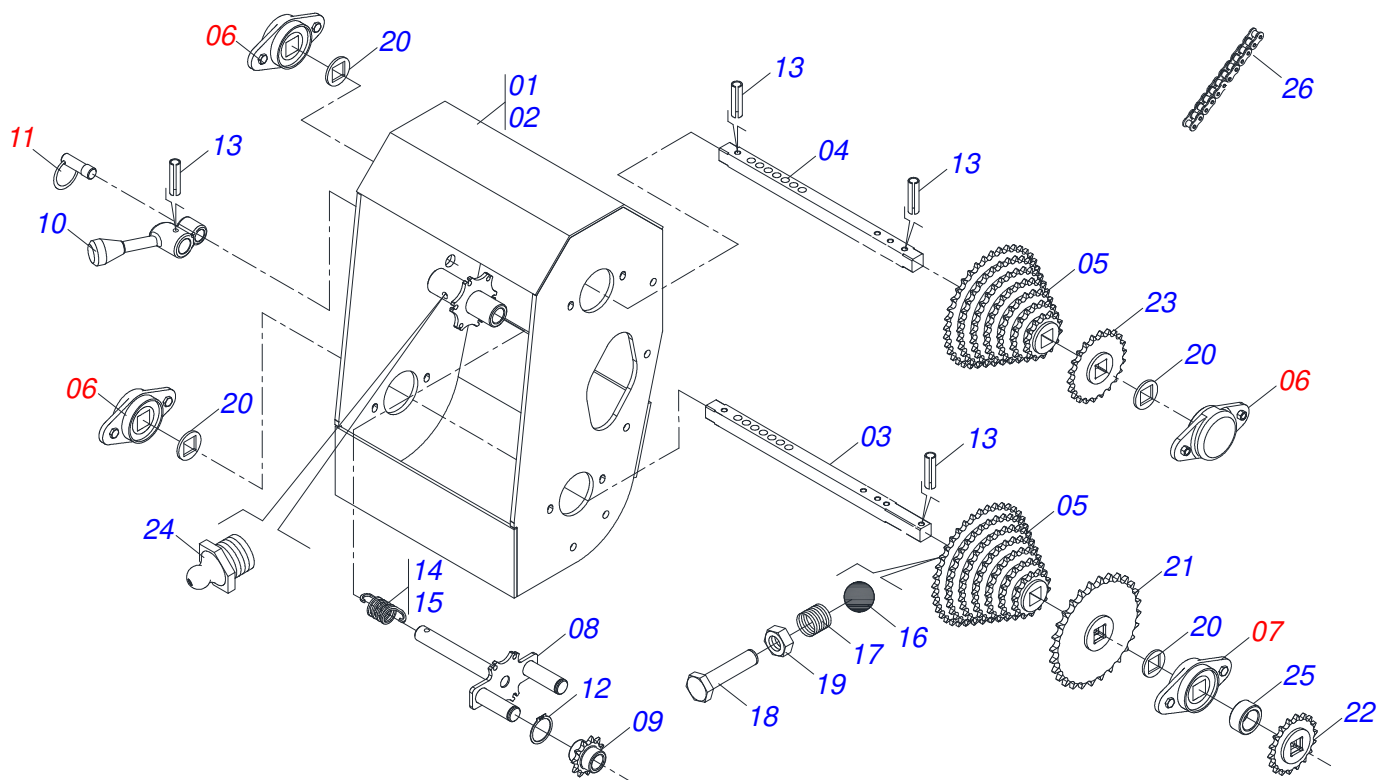
Item	Code	Description	See page	QT
01	0909091534	GEAR BOX RIGHT/LEFT ASSY	5	01
02	0503010386	CABLE		08
03	0503010751	C3/8" X 1.1/4" HEX BOLT G.5		10
04	0503010025	3/8 SPRING WASHER		26
05	0503010026	3/8" NUT		26
06	0501058514	BEARING		02
06A	0511069967	DOUBLE GEAR AXLE		02
06B	0501053654	3/4 SEED TRANSMISSION DOUBLE BEARING		02
06C	0511069977	DOUBLE GEAR BEARING		02
06D	0561010204	DOUBLE GEAR SLEEVE		02
06E	0503011410	ROLLER BEARING		04
06F	0501012140	FLAT WASHER		02
06G	0503010878	5/8" SELF ALIGNING NUT		02
06H	0503010365	BOLT 5/16 UNC X 1.1/4 C S G.5 ZN		04
06I	0501010694	FLAT WASHER		08
06J	0503010179	LOCK WASHER 5/16 ZN 1K01528		04
06K	0503010337	5/16" NUT		04
07	0503015001	40-1 X 153 CHAIN LINK + MENDING		02
08	0503015002	40-1 CHAIN X 66 LINK + REDUCTION		02
09	0503012712	40-1 CHAIN X 81 LINK + MENDING		02
10	0503012772	40-1 CHAIN X 80 LINK + REDECTION		02
11	0503015003	50-1 CHAIN X 72 LINK + REDUCTION		02
12	0501058506	CHAIN TIGHTENER		04
12A	0511069978	CHAIN TENSIONER		12
12B	0503031806	9Z X P 5/8" GEAR		04
12C	0503010302	501019 SEAL RING		12
12D	0503010002	1800 GREASE FITTING		12
13	0501058507	CHAIN TENSIONER		06
13A	0511069978	CHAIN TENSIONER		01
13B	0503031805	11Z 1/2" GEAR		01
13C	0503010302	501019 SEAL RING		01



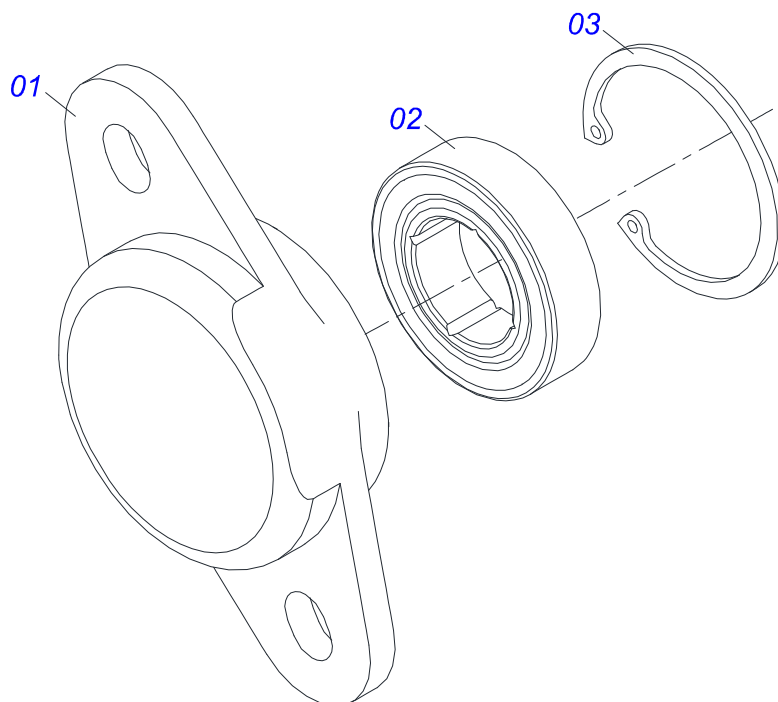


SDA-A  
TRANSMISSION ASSY

Item	Code	Description	See page	QT
13D	0503010002	1800 GREASE FITTING		01
14	0503010237	3/8" X 1" BOLT		12
15	0501058819	CHAIN TENSIONER		02
15A	0511069978	CHAIN TENSIONER		01
15B	0503030402	PULLEY		01
15C	0503010302	501019 SEAL RING		01
15D	0503010002	1800 GREASE FITTING		01
16	0561010210	115 CHAIN COVER FIXER		02
17	0541015708	120 CHAIN LOCK FIXER		02
18	0561010220	RH CHAIN COVER		01
19	0561010221	LH CHAIN COVER		01
20	0561010231	RH ROCKER ARM CHAIN COVER		01
21	0561010230	LH ROCKER ARM CHAIN COVER		01

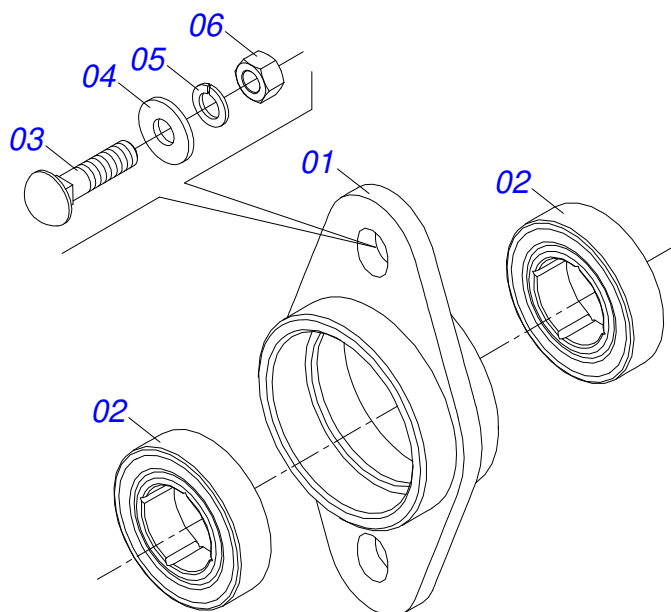


Item	Code	Description	See page	QT
00	0501058504	RIGHT GEAR BOX ASSY		01
00.	0501058505	LH GEAR BOX ASSY		01
01	0511069975	GEAR BOX RIGHT SUPPORT		01
02	0511069976	GEAR BOX LEFT SUPPORT		01
03	0561010159	FERTILIZER MOTOR AXLE		01
04	0561010160	FERTILIZER DRIVER AXLE		01
05	0511060396	DRIVE/DRIVEN SHAFT		02
06	0501056271	GEARBOX CLOSED BEARING	6	03
07	0501056447	CENTRAL DOUBLE GEAR HOUSING BEARING	7	01
08	0511060392	CHAIN TENSIONER		01
09	0503031805	11Z 1/2" GEAR		02
10	0502011758	REAR TIGHTENER LEVER		01
11	0501048790	AXLE WITH RING	8	01
12	0503010302	501019 SEAL RING		02
13	0503010292	701164 6 X 40 SPRING PIN		09
14	0503031366	RIGHT TWISTED SPRING		01
15	0503031367	SPRING		01
16	0503012389	1/2 BALL		02
17	0503031512	0.4" X 0.1" X 2" X 0.6" SPRING		02
18	0503010395	1/2" X 1-1/4" BOLT		02
19	0503010060	1/2 UNC G.5 ZN HEX NUT		02
20	0521018630	1.4" X SQUARE 0.8" WASHER		04
21	0511066252	28Z GEAR		01
22	0511061757	18Z GEAR		01
23	0511061759	22Z P12,70 FQ 3/4" GEAR		01
24	0503010002	1800 GREASE FITTING		01
25	0561010360	SLEEVE		01
26	0503012204	40-1 CHAIN X 82 LINK + RED		01

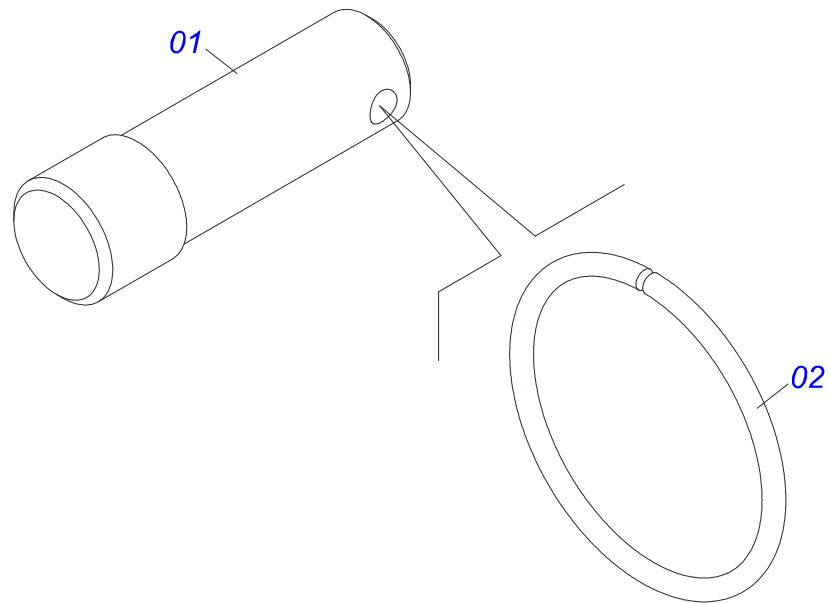


Item	Code	Description	See page	QT
01	0502012310	GEAR BOX CLOSE BEARING		01
02	0503013462	BEARING WITH BALL BEARING		01
03	0503011105	SEAL RING		01

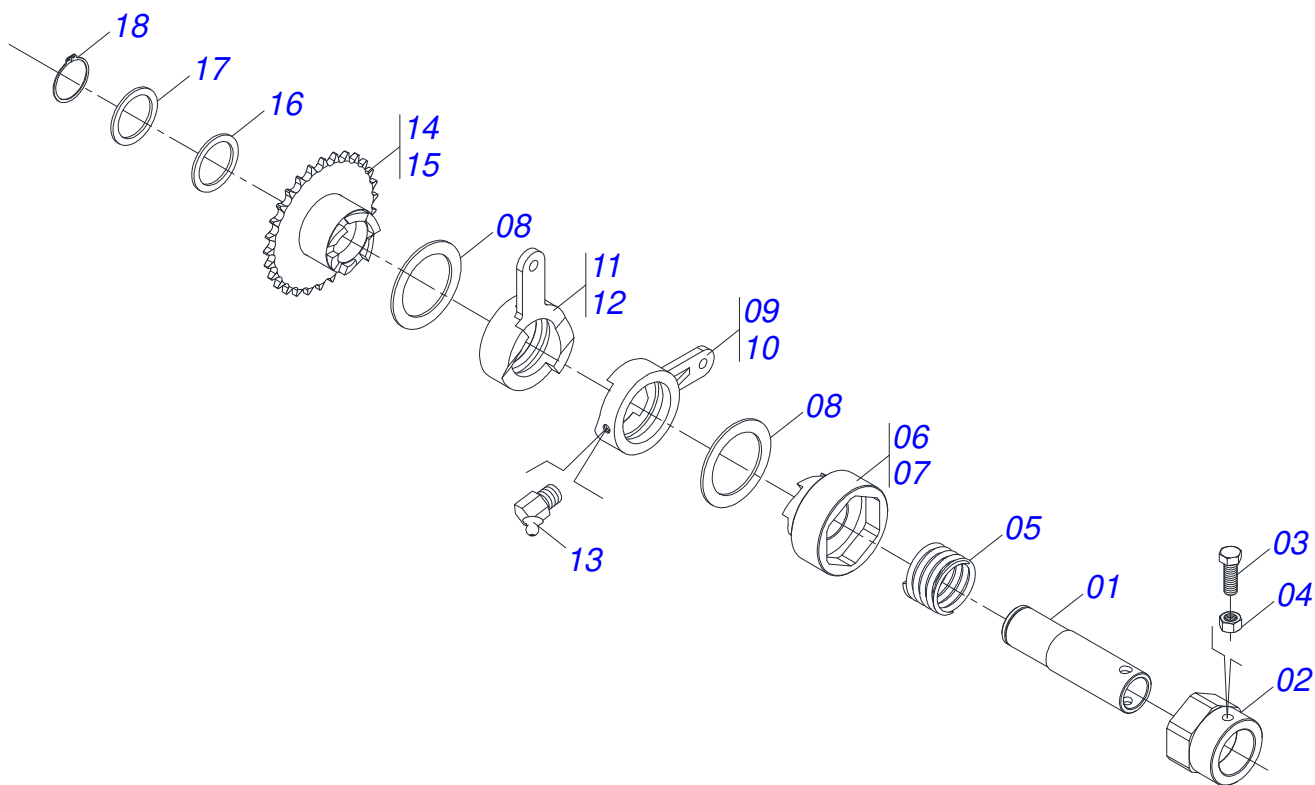
CENTRAL DOUBLE GEAR HOUSING BEARING



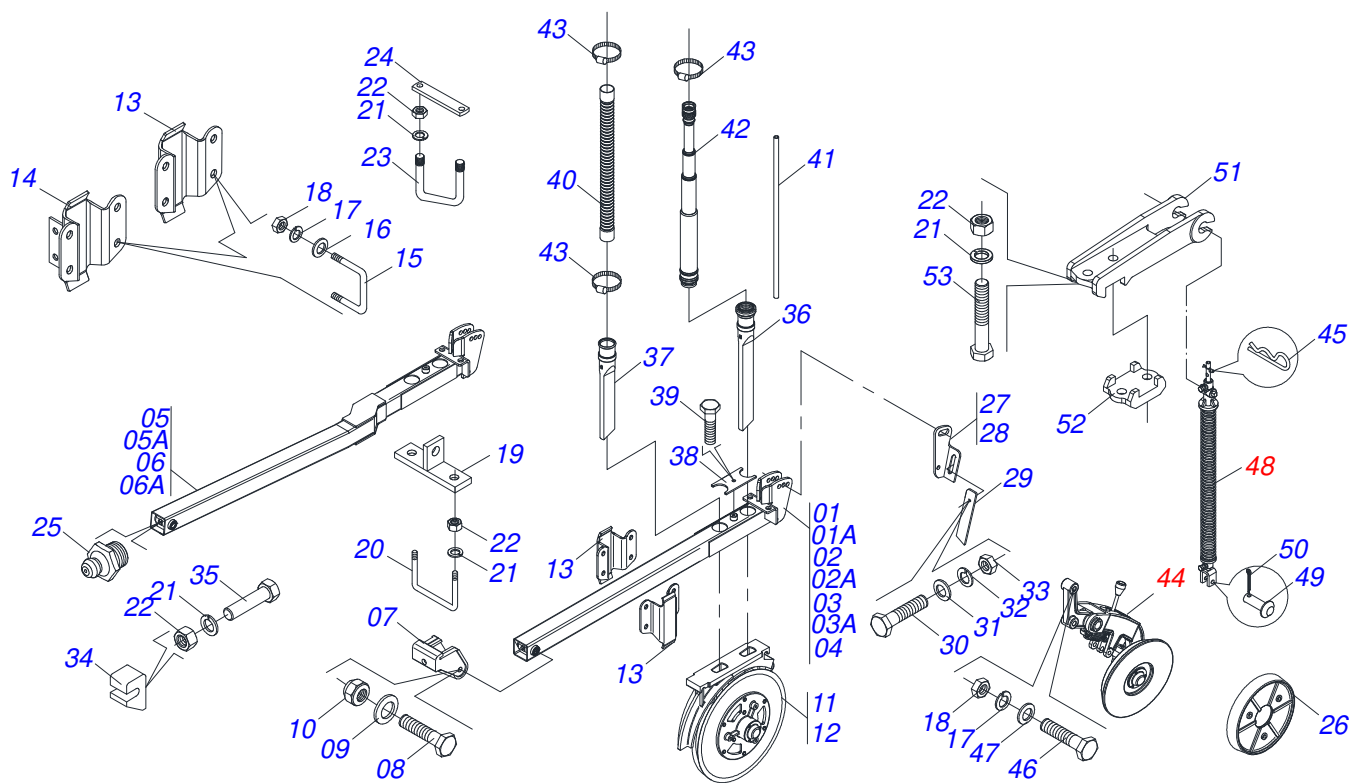
Item	Code	Description	See page	QT
01	0502011978	HOUSING CENTRAL BEARING		01
02	0503013462	BEARING WITH BALL BEARING		02
03	0503011953	5/16" X 1" BOLT		02
04	0501010694	FLAT WASHER		02
05	0503010179	LOCK WASHER 5/16 ZN 1K01528		02
06	0503010337	5/16" NUT		02



Item	Code	Description	See page	QT
01	0521012476	GEAR BOX LEVER AXLE		01
02	0503031369	LINK		01



Item	Code	Description	See page	QT
00	0501058451	TRANSMISSION RIGHT DRIVING		01
00.	0501058452	TRANSMISSION LEFT DRIVING		01
01	0521017590	GUIDE AXLE		01
02	0502011996	SLEEVE FIXER		01
03	0503030678	BOLT 1/2 UNC X 1.1/2 CSPC G.5 ZN		01
04	0503010060	1/2 UNC G.5 ZN HEX NUT		01
05	0503030553	2.3"X 2.5"X 0.2"COMPRESSION SPRING		01
06	0502012009	DRIVING AXLE RIGHT FOLLOWER		01
07	0502011995	LH DRIVING AXLE FOLLOWER		01
08	0501019734	FLAT WASHER		02
09	0502010710	RIGHT CAM, SMALLER		01
10	0502010720	RIGHT CAM, SMALLER		01
11	0502010711	RIGHT CAM,LARGER		01
12	0502010721	LEFT CAM,LARGER		01
13	0503010003	1845 GREASE FITTING		02
14	0511069979	28Z GEAR		01
15	0511069980	28Z GEAR		01
16	0501019735	FLAT WASHER		01
17	0521017593	FLAT WASHER		01
18	0503010542	501045 CLAMPING RING (FOR AXLE)		01



Item	Code	Description	See page	19	23	29
00	0511047324	RIGHT SHORT ROW ASSY		04	05	07
00.	0511047325	LH LONG ROW ASSY		05	06	07
00..	0511047326	RH LONG ROW ASSY		04	05	07
00...	0511047327	LH LONG ROW ASSY		04	05	07
00....	0511047328	LH SIDE LINEA LONG ASSY		01	01	01
00.....	0511047329	RH SIDE LINEA ASSY		01	01	01
01	0501058494	RH DDE ROW SMALLER SUPPORT		01	01	01
01A	0501067510	LEVER TRIPE SUPPORT DISC		01	01	01
02	0501058495	LH DDE SMALLER SUPPORT		01	01	01
03	0501058496	RH ROW DDE LARGER SUPPORT		01	01	01
03A	0511062118	LARGER TRIPE DISC SUPPORT		01	01	01
04	0501058497	RH LARGER DDE ROW SUPPORT		01	01	01
05	0501058498	LH ROW LARGER SIDE SUPPORT		01	01	01
05A	0511069971	LH TRIPE DISC SUPPORT LATERAL		01	01	01
06	0501058499	RH SIDE ROW LARGER SUPPORT		01	01	01
06A	0511069970	RIGHT SIDE TRIPE DISC SUPPORT		01	01	01
07	0502010978	SUPPORT FIXER		03	03	03
08	0501017315	5/8" X 124 BOLT		03	03	03
09	0501012140	FLAT WASHER		03	03	03
10	0503010811	5/8" UNF SELF ADJUSTING NUT		03	03	03
11	0501058500	RIGHT DDE 15.1/2" X 15"		03	03	03
12	0501058501	LH DDE 15.1/2" X 15"		03	03	03
13	0541014450	158 SPACER ROW		05	05	05
14	0511069968	SMALLER SIDE SPACER		01	01	01
15	0541014458	R 1/2" UNC X 3" X 3.5" FASTENER		06	06	06
16	0501010937	13,50 X 28 X 3,00 FLAT WASHER		12	12	12
17	0503010019	1/2" SPRING WASHER		24	24	24
18	0503010060	1/2 UNC G.5 ZN HEX NUT		24	24	24
19	0502040190	SPRING FIXER SUPPORT		03	03	03
20	0521010666	5/8" UNC X 3.7" X 3" FASTENER		03	03	03
21	0503010027	5/8 SPRING WASHER		18	18	18

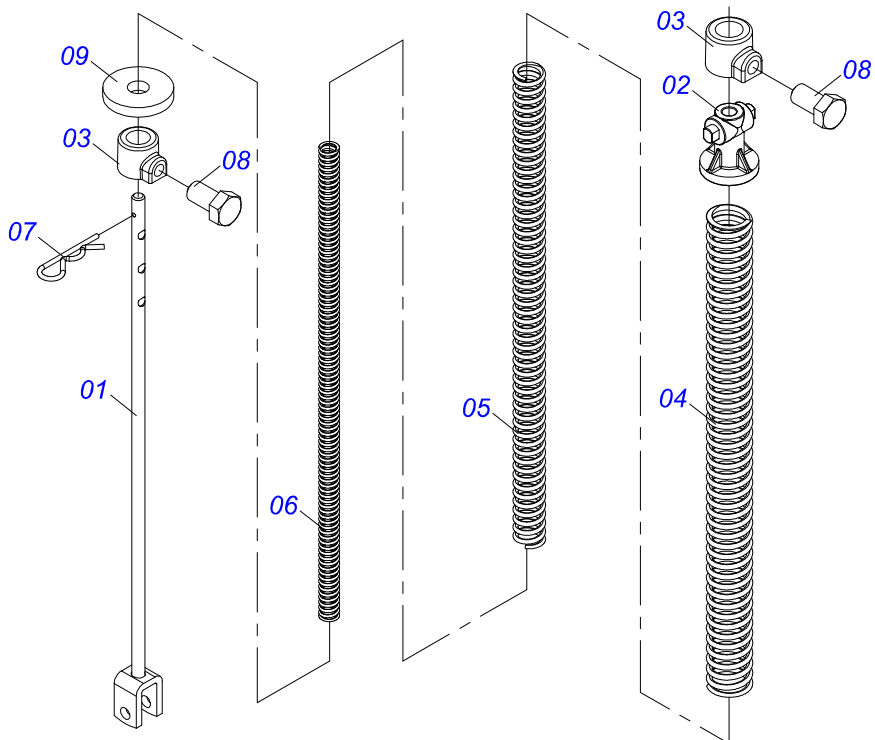


## SEED/FERTILIZER ROW ASSY

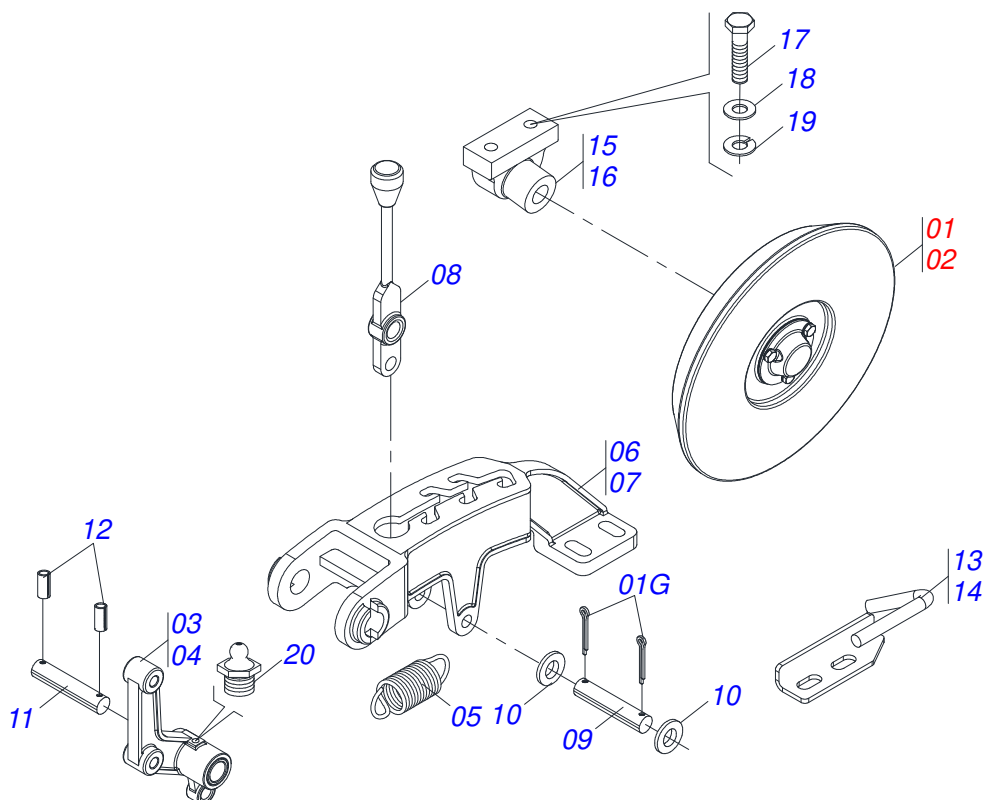
0909091532

Item	Code	Description	See page	19	23	29
22	0503010013	5/8 NUT		18	18	18
23	0521010684	5/8" UNC X 101 X 80 HOLDER		09	09	09
24	0511013899	FIXER PLATE		03	03	03
25	0503010691	1/4" GREASE FITTING		03	03	03
26	0502020662	ROD STOP		03	03	03
27	0561010228	RH ROD STOP SCRAPER SUPPORT		03	03	03
28	0561010229	LH ROD STOP SCRAPER SUPPORT		03	03	03
29	0561010227	ROD STOP SCRAPER DOUBLE DISC		03	03	03
30	0503010751	C3/8" X 1.1/4" HEX BOLT G.5		03	03	03
31	0501010984	10,50 X 27 X 3,00 FLAT WASHER		03	03	03
32	0503010025	3/8 SPRING WASHER		03	03	03
33	0503010026	3/8" NUT		03	03	03
34	0502040376	ROW FASTENER		03	03	03
35	0501010452	5/8" X 5" BOLT		03	03	03
36	0503033025	SOCKET SEED		03	03	03
37	0503030483	FERTILIZER SOCKET		03	03	03
38	0561010185	SOCKET LOCK		03	03	03
39	0503010256	3/8" X 3/4" BOLT		03	03	03
40	0503031145	2" X 2" X 20" HOSE		03	03	03
41	0503014967	LATEX TUBE		03	03	03
42	0503061765	TELESCOPICO		03	03	03
43	0503010246	CLAMP		09	09	09
44	0909091535	IRON PRESS WHEEL	12	03	03	03
45	0503030168	HITCH PIN CLIP		03	03	03
46	0503010752	1/2" X 3.1/2" BOLT		06	06	06
47	0511017302	FLAT WASHER 13,50 X 32,50 X 3,0 ZN		06	06	06
48	0501056095	SPRING ROD	11	03	03	03
49	0521010542	COUPLING SHAFT		03	03	03
50	0503010300	5/32" X 1" COTTERPIN		03	03	03
51	0502012523	SPRING GUIDE FIXER		03	03	03
52	0502012522	SPRING GUIDE FIXER LOCK		03	03	03
53	0501011027	5/8" X 3-3/4" BOLT		06	06	06



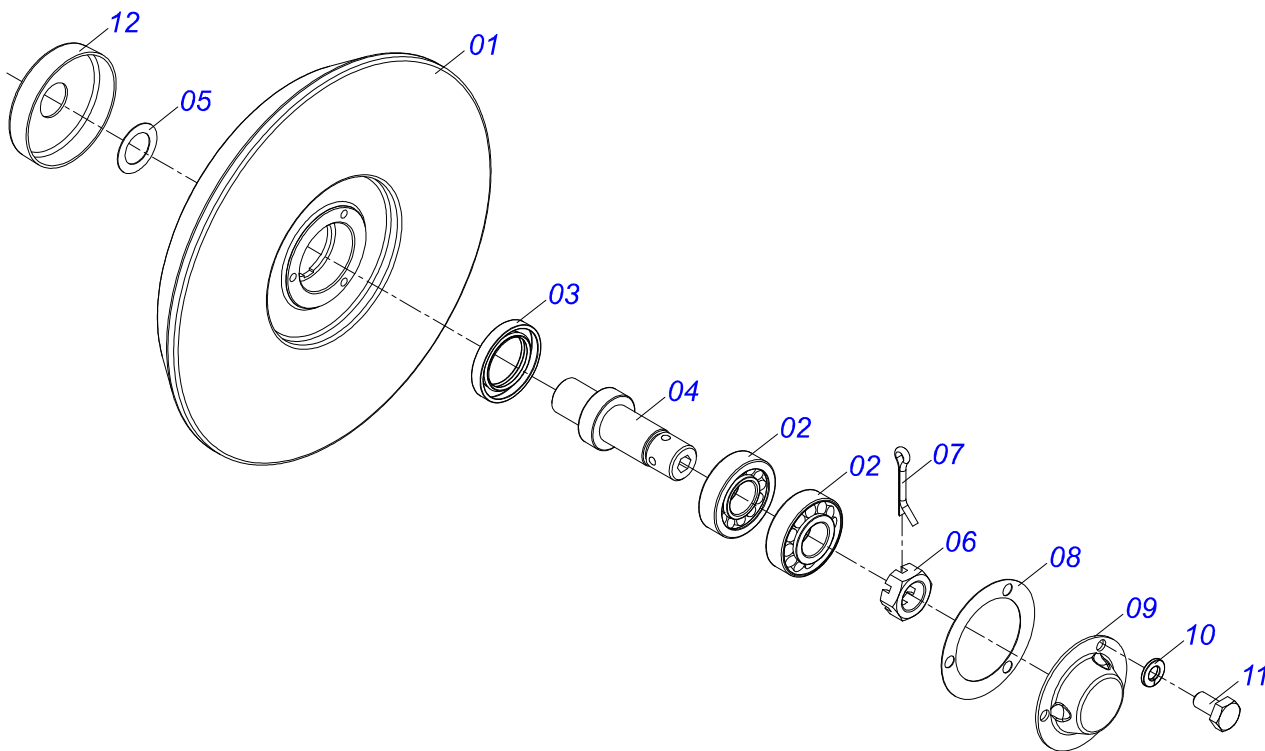


Item	Code	Description	See page	QT
01	0511063983	SPRING GUIDE		01
02	1902010228	TOP SPRING GUIDE		01
03	0502040534	SPRING GUIDE BUSHING LOCK		02
04	0503031695	2.2"X27.5"X 0.3" COMPRESSION SPRING		01
05	0503030642	1"X 27.5" X 0.2" COMPRESSION SPRING		01
06	0503030643	1.6"X27.5"X 0.2" COMPRESSION SPRING		01
07	0503030168	HITCH PIN CLIP		01
08	0501018535	1/2 X 1 BOLT		02
09	0501011090	FLAT WASHER		01

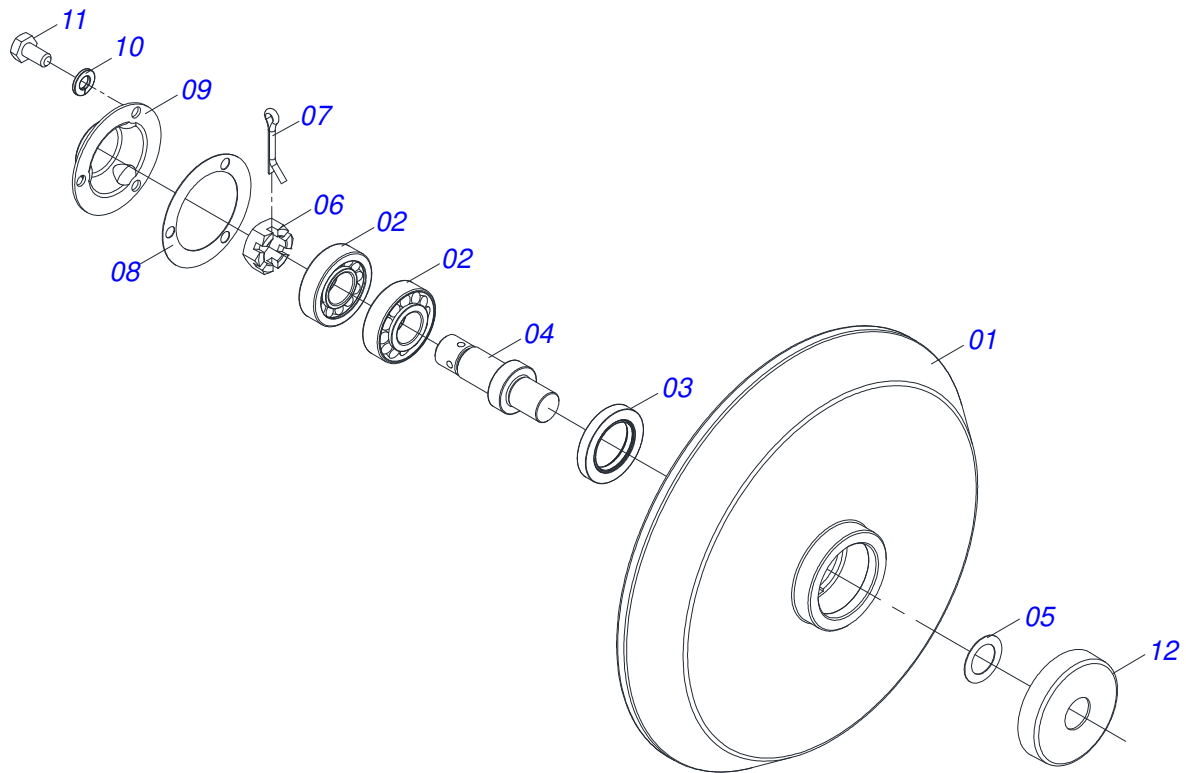


Item	Code	Description	See page	QT
00	0511047323	LEFT IRON PRESS WHEEL ASSY		01
00.	0511047322	IRON PRESS WHEEL		01
01	0501053187	LEFT IRON PRESS WHEEL ASSY	13	01
02	0501053186	RIGHT IRON PRESS WHEEL ASSY	14	01
03	0501110586	PRESS WHEELS ARM SUPPORT		01
04	0501110587	PRESS WHEELS ARM SUPPORT		01
05	0503033034	TRACTION SPRING		01
06	0502012535	RIGHT ARM PRESS WHEELS		01
07	0502012536	LEFT ARM PRESS WHEELS		01
08	0502012532	PRESS WHEEL ADJUSTMENT LEVER		01
09	0561010193	12,70 X 80 PIN		01
10	0503011828	FLAT WASHER		02
11	0521010543	1" X 5" COUPLING SHAFT		01
12	0503010839	03"X 0.6" SPRING PIN		02
13	0501066592	IRON PRESS WHEEL LEFT SCRAPER		01
14	0501066591	IRON PRESS WHEEL RIGHT SCRAPER		01
15	0502011156	LEFT FIXER WHEEL		01
16	0502011155	RIGHT FIXER WHEEL		01
17	0503011082	C1/2" X 1.3/4" SCREW		02
18	0511017302	FLAT WASHER 13,50 X 32,50 X 3,0 ZN		02
19	0503011440	SPRING WASHER		02
20	0503010691	1/4" GREASE FITTING		01

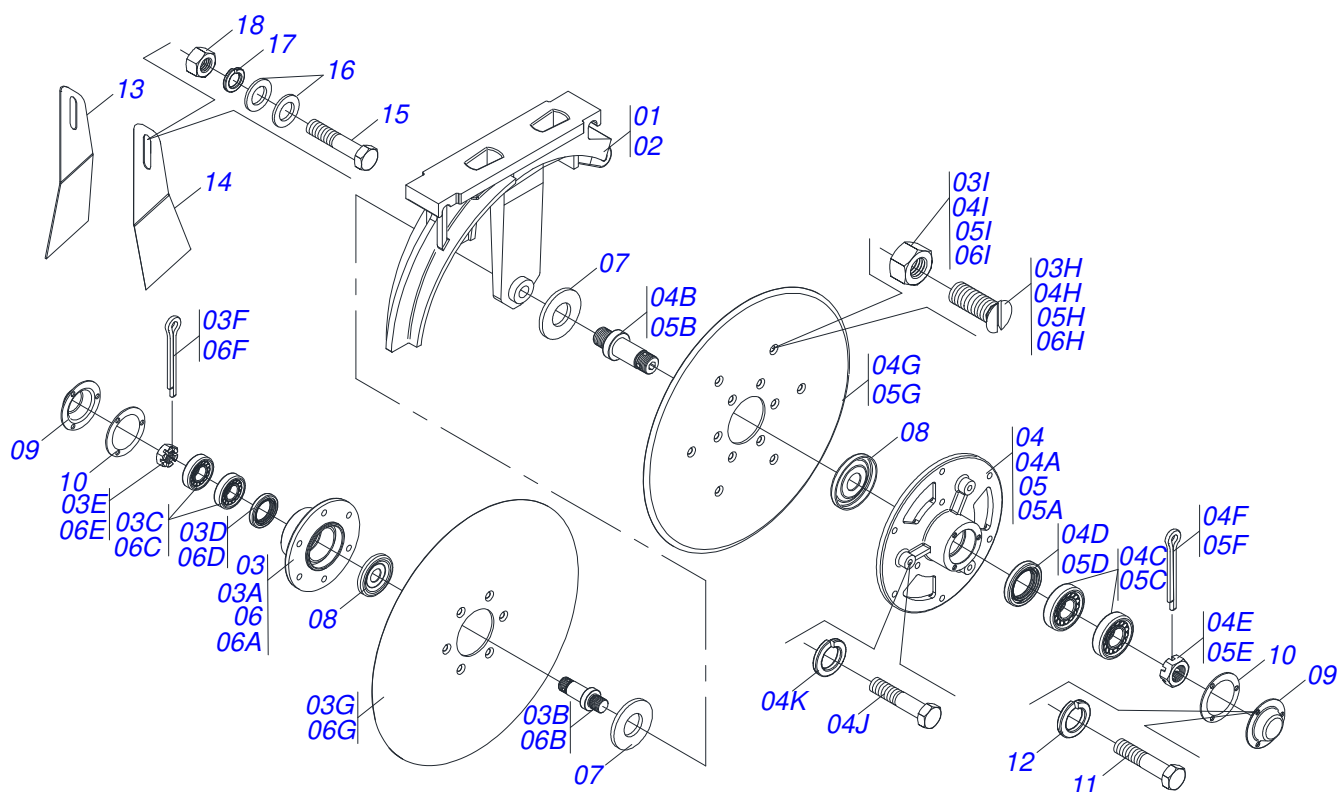
LEFT IRON PRESS WHEEL ASSY



Item	Code	Description	See page	QT
01	0502011970	IRON PRESS WHEEL	01	01
02	0503010598	30204 BALL BEARING	02	02
03	0503011112	SEAL 02376-BRG	01	01
04	0521019148	LEFT DOUBLE DISC HUB	01	01
05	0511015098	FLAT WASHER	01	01
06	0503030282	3/4" CASTLE NUT	01	01
07	0503010257	1/8" X 1" COTTERPIN	01	01
08	0503030757	2.9" X 2" X 0.02" JOINT	01	01
09	0521019178	PROTECTION LID	01	01
10	0503011441	SPRING WASHER	03	03
11	0503013758	1/4" X 1-1/2" BOLT	03	03
12	0511016896	DUST CLOAK	01	01



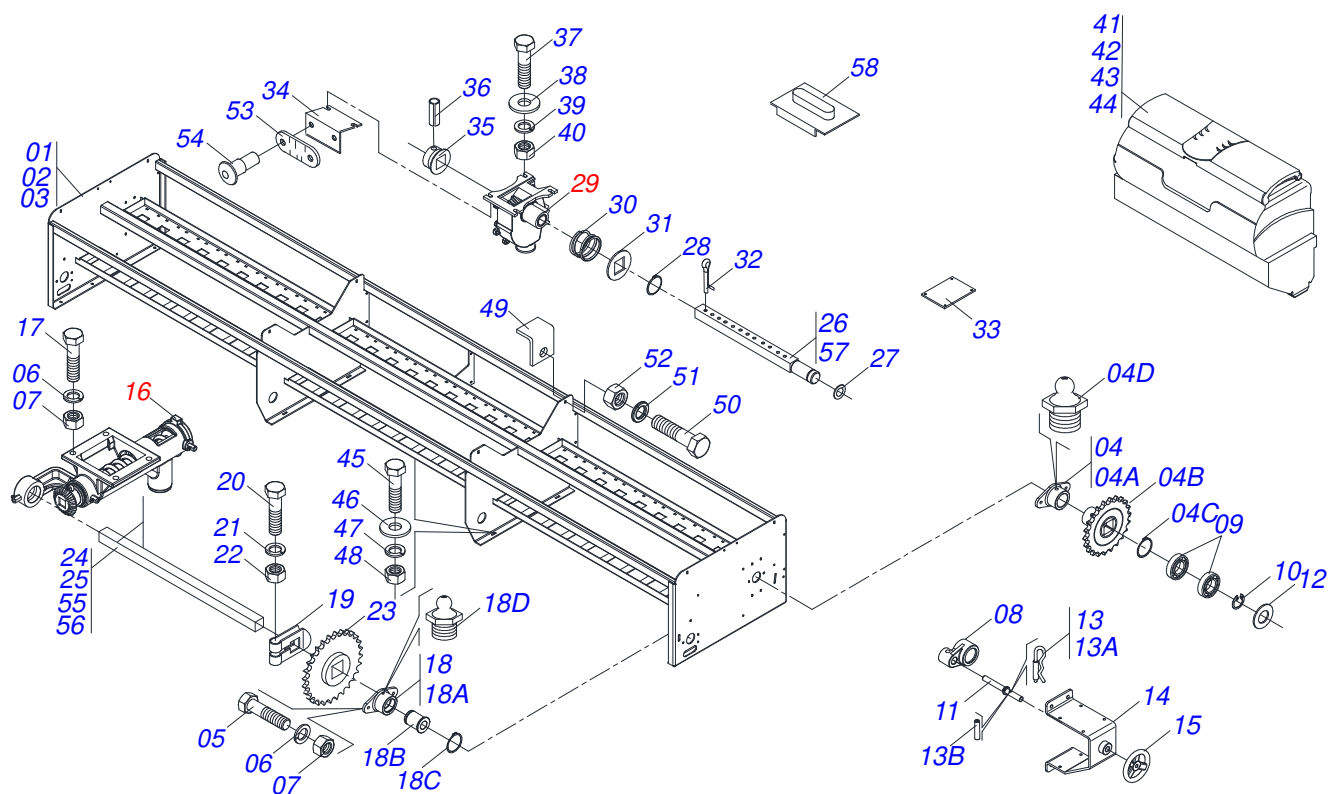
Item	Code	Description	See page	QT
01	0502011970	IRON PRESS WHEEL		01
02	0503010598	30204 BALL BEARING		02
03	0503011112	SEAL 02376-BRG		01
04	0521019154	RIGHT DOUB DISC HUB		01
05	0511015098	FLAT WASHER		01
06	0503030282	3/4" CASTLE NUT		01
07	0503010257	1/8" X 1" COTTERPIN		01
08	0503030757	2.9" X 2" X 0.02" JOINT		01
09	0521019178	PROTECTION LID		01
10	0503011441	SPRING WASHER		03
11	0503013758	1/4" X 1-1/2" BOLT		03
12	0511016896	DUST CLOAK		01



Item	Code	Description	See page	QT
00	0501058500	RIGHT DDE 15.1/2" X 15"		01
00.	0501058501	LH DDE 15.1/2" X 15"		01
01	0502012527	RH DDE SUPPORT		01
02	0502012528	LH DDE SUPPORT		01
03	0501058508	DDE BOX		01
03A	0502012543	DDE HUB		01
03B	0561010153	DDE RIGHT HUB AXLE		02
03C	0503010598	30204 BALL BEARING		04
03D	0503011112	SEAL 02376-BRG		02
03E	0503030282	3/4" CASTLE NUT		02
03F	0503010257	1/8" X 1" COTTERPIN		02
03G	0603022134	PLAIN COULTER BLADE		01
03H	0503010546	5/16" X 7/8" BOLT		15
03I	0503010337	5/16" NUT		15
04	0501058509	DDE HUB		01
04A	0502012542	DDE HUB W/ADAPTER		01
04B	0561010154	LEFT DDE HUB AXLE		01
04C	0503010598	30204 BALL BEARING		02
04D	0503011112	SEAL 02376-BRG		01
04E	0503030282	3/4" CASTLE NUT		01
04F	0503010257	1/8" X 1" COTTERPIN		01
04G	0603022024	15" X 0.2" C1,2 PLAIN COULTER BLADE		01
04H	0503010546	5/16" X 7/8" BOLT		09
04I	0503010337	5/16" NUT		09
04J	0503010256	3/8" X 3/4" BOLT		03
04K	0503011443	3/8" SPRING WASHER		03
05	0501058510	DDE HUB W/DISC		01
05A	0502012542	DDE HUB W/ADAPTER		01
05B	0561010153	DDE RIGHT HUB AXLE		01
05C	0503010598	30204 BALL BEARING		02
05D	0503011112	SEAL 02376-BRG		01



Item	Code	Description	See page	QT
05E	0503030282	3/4" CASTLE NUT		01
05F	0503010257	1/8" X 1" COTTERPIN		01
05G	0603022024	15" X 0.2" C1,2 PLAIN COULTER BLADE		01
05H	0503010546	5/16" X 7/8" BOLT		09
05I	0503010337	5/16" NUT		09
06	0501058511	DDE HUB W/DISC		01
06A	0502012543	DDE HUB		01
06B	0561010154	LEFT DDE HUB AXLE		01
06C	0503010598	30204 BALL BEARING		02
06D	0503011112	SEAL 02376-BRG		01
06E	0503030282	3/4" CASTLE NUT		01
06F	0503010257	1/8" X 1" COTTERPIN		01
06G	0603022134	PLAIN COULTER BLADE		01
06H	0503010546	5/16" X 7/8" BOLT		06
06I	0503010337	5/16" NUT		06
07	0511015098	FLAT WASHER		02
08	0511011927	DUST CLOAK		02
09	0521019178	PROTECTION LID		02
10	0503030757	2.9" X 2" X 0.02" JOINT		02
11	0503014729	1/4" UNF X 1/2" BOLT		06
12	0503011441	SPRING WASHER		06
13	0561010264	RH DOUBLE DISC SCRAPER - STARTING 04/18		01
14	0561010265	LH DOUBLE DISC SCRAPER - STARTING 04/18		01
15	0503010751	C3/8" X 1.1/4" HEX BOLT G.5		01
16	0501010984	10,50 X 27 X 3,00 FLAT WASHER		02
17	0503010025	3/8 SPRING WASHER		01
18	0503010026	3/8" NUT		01



Item	Code	Description	See page	19	23	29
00	0501058670	BEAM SUPPORT ASSY		01	00	00
00.	0501058502	BEAM SUPPORT ASSY		00	00	01
00..	0501058768	BEAM SUPPORT ASSY		00	00	01
01	0521060163	FERTILIZER BEAM SUPPORT		01	00	00
02	0511069956	FERTILIZER BEAM SUPPORT		00	01	00
03	0521060194	FERTILIZER/SEED BEAM SUPPORT		00	00	01
04	0501058503	SEED BOX BEARING ASSY		02	02	02
04A	0501110582	FERTILIZER/SEED BOX BEARING		01	01	01
04B	0521060035	34Z GEAR REEL		01	01	01
04C	0503010372	501050 CLAMPING RING (FOR AXLE)		01	01	01
04D	0503010002	1800 GREASE FITTING		01	01	01
05	0503011087	3/8" X 1" BOLT		16	16	16
06	0503010025	3/8 SPRING WASHER		92	108	132
07	0503010026	3/8" NUT		92	108	132
08	0502012325	SEED REG BEARING		02	02	02
09	0503012882	BEARING		04	04	04
10	0503011945	503050 CLAMPING RING (FOR AXLE)		02	02	02
11	0541015305	HANDLE SPINDLE		02	02	02
12	0501017157	WASHER SPACER		01	01	01
13	0501050031	SUPPORT LOCK		04	04	04
13A	0503030012	HITCH PIN CLIP		01	01	01
13B	0503010756	0.2" X 2.4" SPRING PIN		01	01	01
14	0511069974	SLEEVE HANDLE FIXER U		02	02	02
15	0561010179	SEED REGULACION HANDLE		02	02	02
16	0501043280	ASSY FERTILIZER DISTRIBUTOR P1		19	23	29
17	0501011643	3/8 X 1"BOLT		76	92	116
18	0501051798	AGRICULTURAL BEARING ASSY		02	02	02
18A	0501110250	BEARING BOX		01	01	01
18B	0521011127	AGRICULTURAL BEARING REEL		01	01	01
18C	0503010372	501050 CLAMPING RING (FOR AXLE)		01	01	01
18D	0503010002	1800 GREASE FITTING		01	01	01

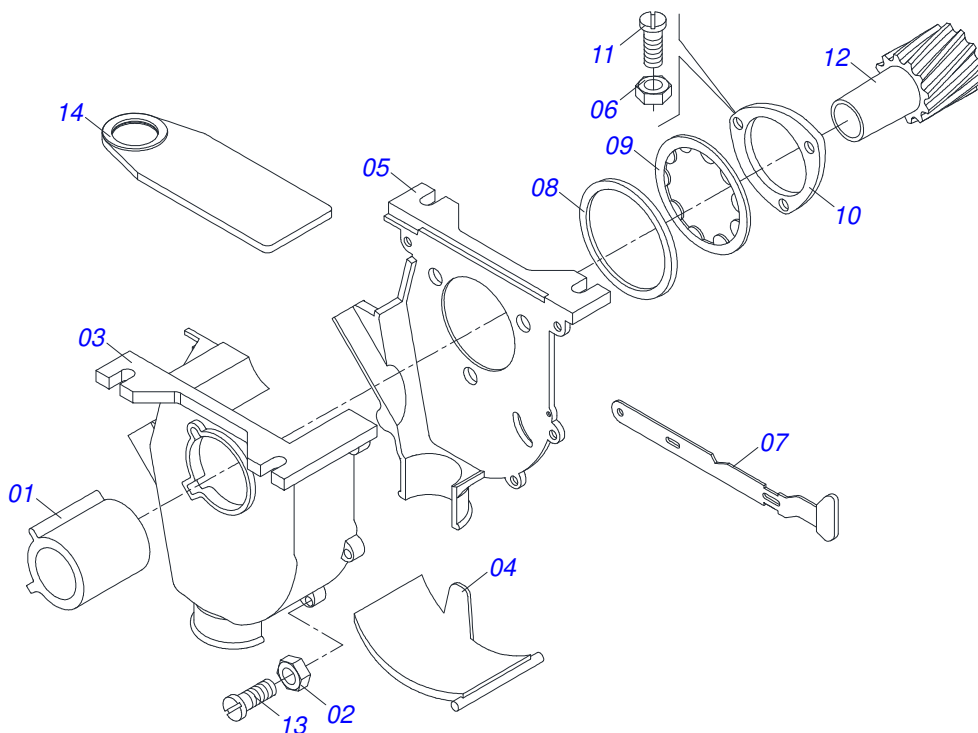


## SEED/FERTIL HOUSING ASSY

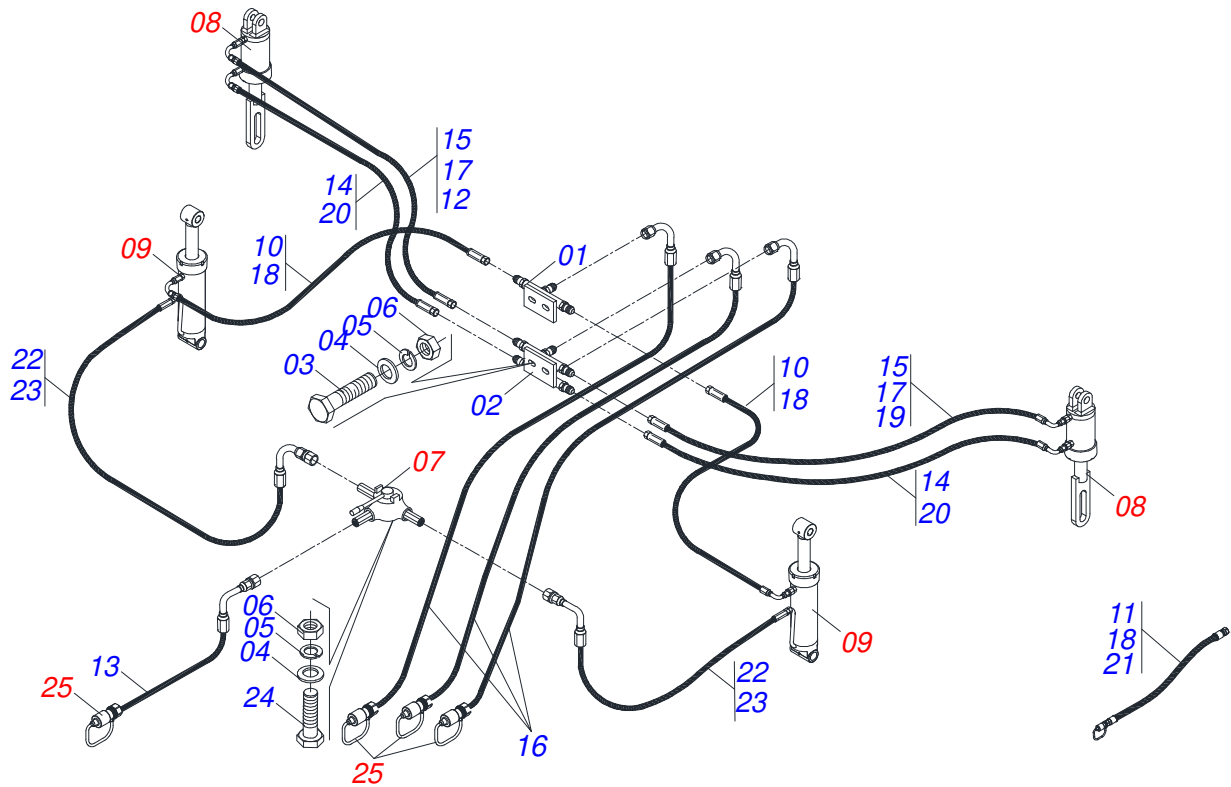
0909091530

Item	Code	Description	See page	19	23	29
19	0521010691	AXLE FASTENER		04	04	04
20	0503010373	SCREW 1/4 UNC X 2 CS G.2 ZN		04	04	04
21	0503010143	1/4" SPRING WASHER		04	04	04
22	0503010144	1/4" NUT		04	04	04
23	0511061759	22Z P12,70 FQ 3/4" GEAR		02	02	02
24	0561010901	SQUARE SHAFT		01	00	00
25	0561010902	SQUARE SHAFT		01	00	00
26	0561010943	SEED BEAN AXLE		02	00	00
27	0541015247	FLAT WASHER		02	02	02
28	0503012104	501015 CLAMPING RING (FOR AXLE)		02	02	02
29	0503032990	SEED DISTRIBUTOR BOX ASSY	17	19	23	29
30	0503032421	1.3" X .8" X 0.1" SPRING		19	23	29
31	0541015361	FLAT WASHER		38	46	58
32	0503010257	1/8" X 1" COTTERPIN		38	46	58
33	0541015376	SEED BOX LOCK		01	01	01
34	0541015240	SEMILLA SCALE SUPPORT		02	02	02
35	0503032423	LARGE DOSER		02	02	02
36	0503010561	SPRING PIN		02	02	02
37	0503011953	5/16" X 1" BOLT		76	92	120
38	0501010694	FLAT WASHER		76	92	120
39	0503010179	LOCK WASHER 5/16 ZN 1K01528		76	92	120
40	0503010337	5/16" NUT		76	92	120
41	0503060784	SEED BOX ASSY		02	00	03
42	0503060783	FERTILIZER BOX ASSY		02	00	03
43	0503060782	SEED BOX ASSY		00	03	00
44	0503060781	FERTILIZER BOX ASSY		00	03	00
45	0503010849	3/8" X 1-1/2" BOLT		14	14	14
46	0501010984	10,50 X 27 X 3,00 FLAT WASHER		28	28	28
47	0503010025	3/8 SPRING WASHER		14	14	14
48	0503010026	3/8" NUT		14	14	14
49	0541011709	SEED/ FERTILIZER BEAM LOCK		12	12	12
50	0503010240	BOLT		12	12	12
51	0503010179	LOCK WASHER 5/16 ZN 1K01528		12	12	12
52	0503010337	5/16" NUT		12	12	12
53	0503030886	SCALE DOSER		02	02	02
54	0503010001	3.2 X 5.5 RIVET		04	04	04
55	0561010149	SQUARE SHAFT		00	01	01
56	0561010150	SQUARE SHAFT		00	01	01
57	0561010163	SEED BEAN AXLE		00	02	02
58	0503032624	FERTILIZER HOPPER GUTTER		14	17	17

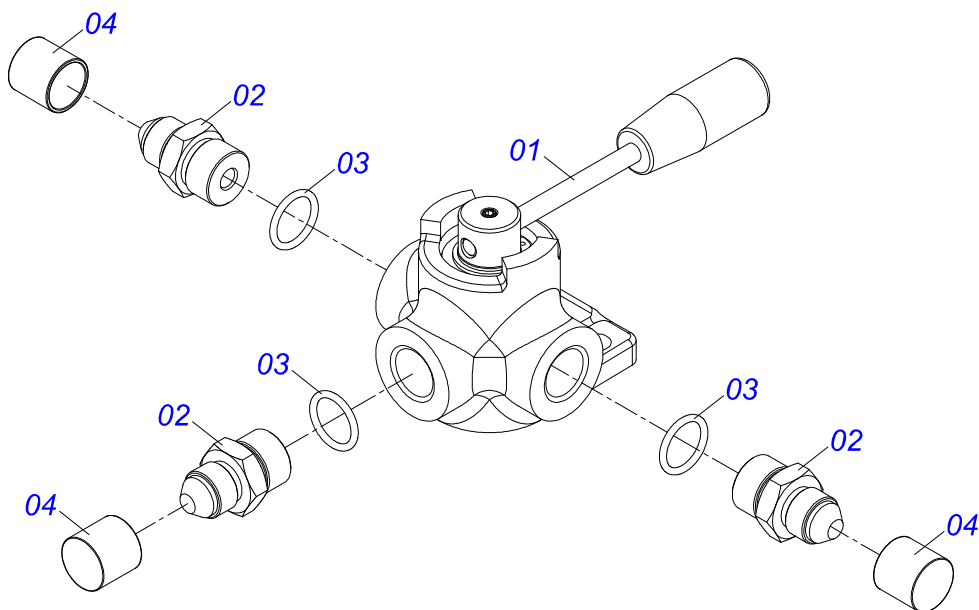




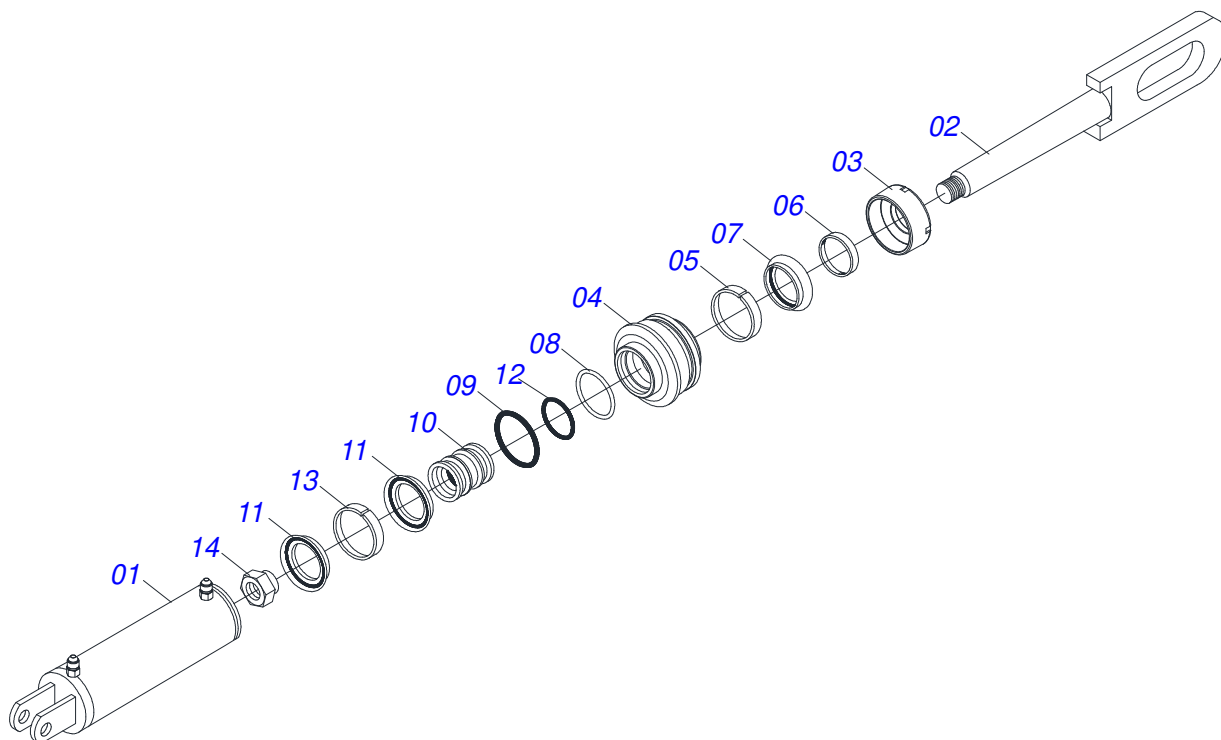
Item	Code	Description	See page	QT
01	0503015222	BUSHING		01
02	0503014540	M6 NUT		01
03	0503015223	LARGER COVER		01
04	0503015224	DISTRIBUTOR		01
05	0503015225	SMALLER COVER		01
06	0503011397	M5 X 0.3" NUT		01
07	0503015226	REGULATOR FLOW		01
08	0503015227	GRAPHITIZED RING		01
09	0503015228	TOOTHED WASHER		01
10	0503015229	TOOTH LOCKWASHER COVER		01
11	0503015230	M5 BOLT		01
12	0503015231	ROTOR		01
13	0503015232	M 6 X 12 BOLT		01
14	0503015233	COVER		01



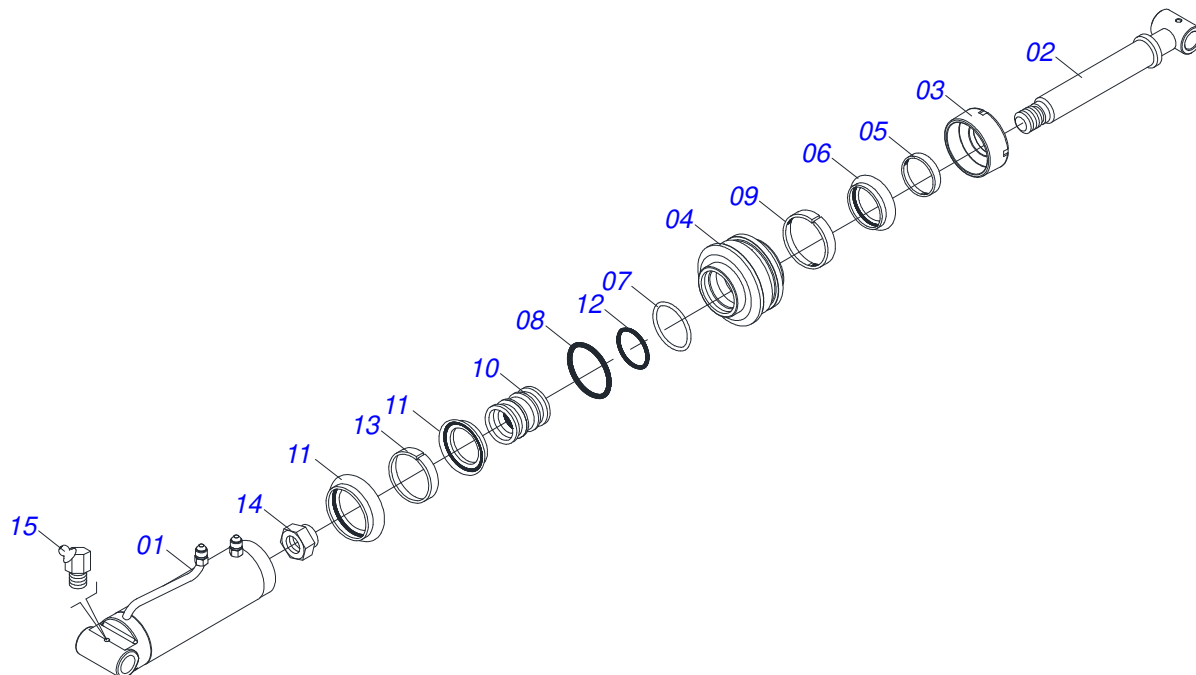
Item	Code	Description	See page	19	23	39
01	0501068707	SIMPLE CONNECTION		01	01	01
02	0501068706	DOUBLE CONNECTION		04	04	04
03	0503010237	3/8" X 1" BOLT		04	04	04
04	0501010984	10,50 X 27 X 3,00 FLAT WASHER		06	06	06
05	0503010025	3/8 SPRING WASHER		06	06	06
06	0503010026	3/8" NUT		06	06	06
07	0501041997	VALVE ASSY	19	01	01	01
08	0511047284	HYDRAULIC CYLINDER 50,8 X 101,6 X 478 X 60	20	02	02	02
09	0511047285	HYDRAULIC CYLINDER 44,45 X 85,70 X 444 X 180	21	02	02	02
10	0501080599	3/8 X 650 TR-TC HOSE		00	02	02
11	0501080221	3/8" X 25.6 TR-TR HOSE ASSY		02	00	00
12	0501080714	3/8 X 1600 TR-TC HOSE		00	01	00
13	0501080550	3/8" X 55.12" TC-TM HOSE		01	01	01
14	0501080382	3/8" X 102" TR-TC HOSE ASSY		00	02	00
15	0501080359	3/8" X 78.7" TR-TC HOSE ASSY		02	02	02
16	0501080365	HOSE 3/8 X 3500 TC-TM		03	03	03
17	0501080527	3/8 X 3300 TR-TC HOSE		00	02	00
18	0501080221	3/8" X 25.6 TR-TR HOSE ASSY		01	00	00
19	0501080047	3/8" X 67" TR-TR HOSE ASSY		01	00	01
20	0501081415	3/8" X 2300 TR-TC HOSE ASSY		02	00	00
21	0501080423	3/8" X 14" TR-TR HOSE ASSY		00	00	02
22	0501080435	3/8" X 3600 TR-TC HOSE		02	00	02
23	0501080390	3/8" X 150" TR-TC HOSE ASSY		00	02	00
24	0503010751	C3/8" X 1.1/4" HEX BOLT G.5		02	02	02
25	0501053834	MALE QUICK COUPLER	22	04	04	04



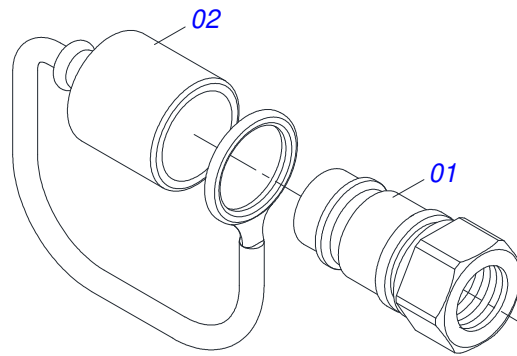
Item	Code	Description	See page	QT
01	0503060069	VALVE ASSY		01
02	0501219897	NIPPLE 3/4 BSP 14FPP X 3/4 UNF 16FPP X 45		03
03	0503010045	O'RING		03
04	0503030385	CYLINDER PLUG N-002		03



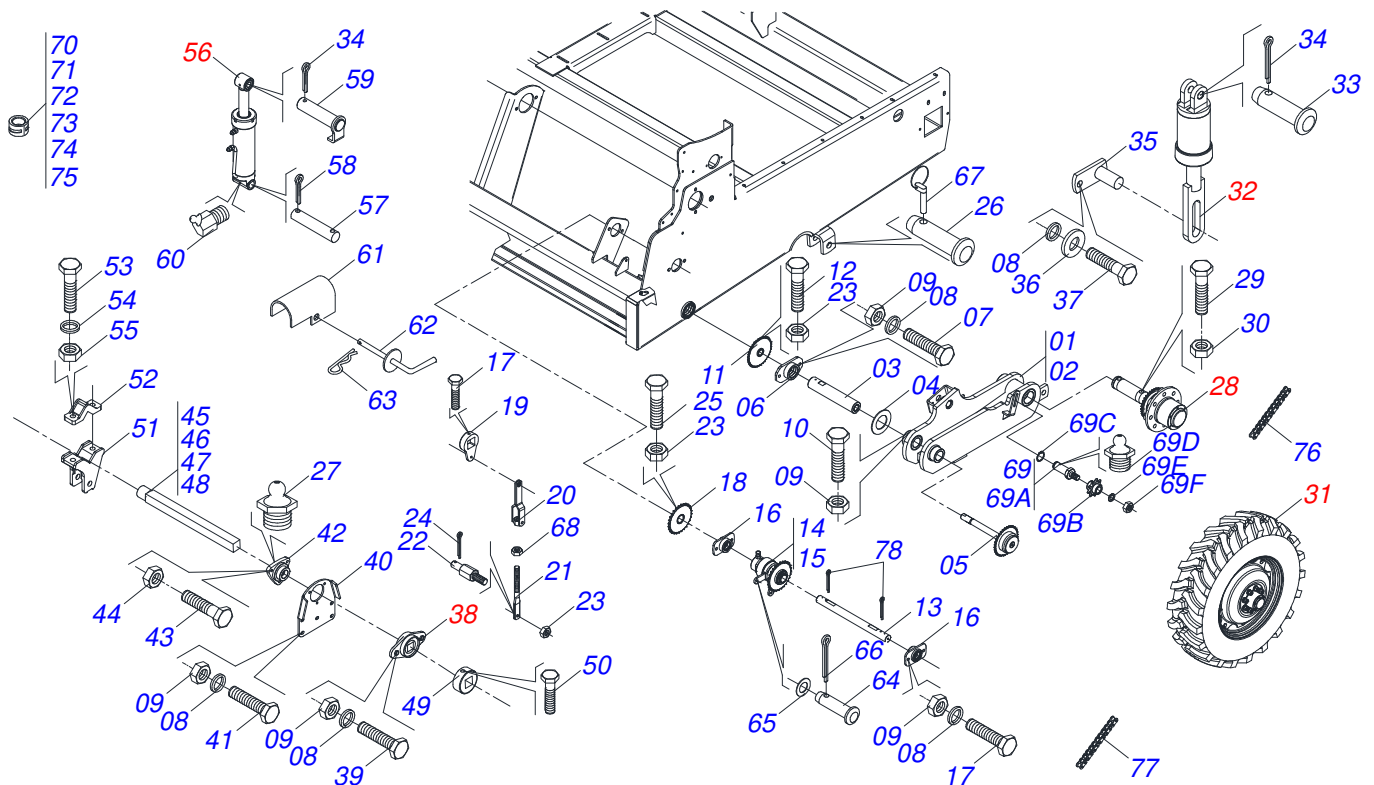
Item	Code	Description	See page	QT
01	0511069962	101,60 X 253 CYLINDER CASE		01
02	0511069987	50,8 X 288 ROD		01
03	0502010017	4" HEAD		01
04	0502010778	2" X 4.2" RING SUPPORT		01
05	0503010952	W2-2250-500 RING		01
06	0503010039	D-2000 SCRAPER RING		01
07	0503010991	1870-2000-375-B GASKET		01
08	0503011061	8-342 BACK-UP RING		01
09	0503010338	2-342 N 3006-9B O'RING		01
10	0502010992	2.0" X 4.0" PISTON		01
11	0503010043	PACKING 3750-3250		02
12	0503010345	2-218 N 3006-9B O'RING		01
13	0503010994	W2-4000-500 PK RING G.E		01
14	0503010044	1-1/4" SELF LOCKING NUT		01



Item	Code	Description	See page	QT
01	0511064110	3.37" X 7" CYLINDER CASE		01
02	0511069969	44,45 X 395 TURNBUCLE		01
03	0502010993	DETACHABLE COVER		01
04	0502010781	RING SUPPORT		01
05	0503010761	D-1750 SCRAPER RING		01
06	0503010990	GASKET		01
07	0503011060	8-336 BACK-UP RING		01
08	0503010976	2-336 N 3006-9B O'RING		01
09	0503010949	W2-2000-500 PK RING G.E		01
10	0502010843	1.8" X 3.4" PISTON		01
11	0503010170	PACKING 3120 2750		02
12	0503010042	2-214 N 3006-9B O'RING		01
13	0503010948	W4-3346-590 PK RING G.E		01
14	0503010063	1" SELF-ALIGNING NUT		02
15	0503010003	1845 GREASE FITTING		01



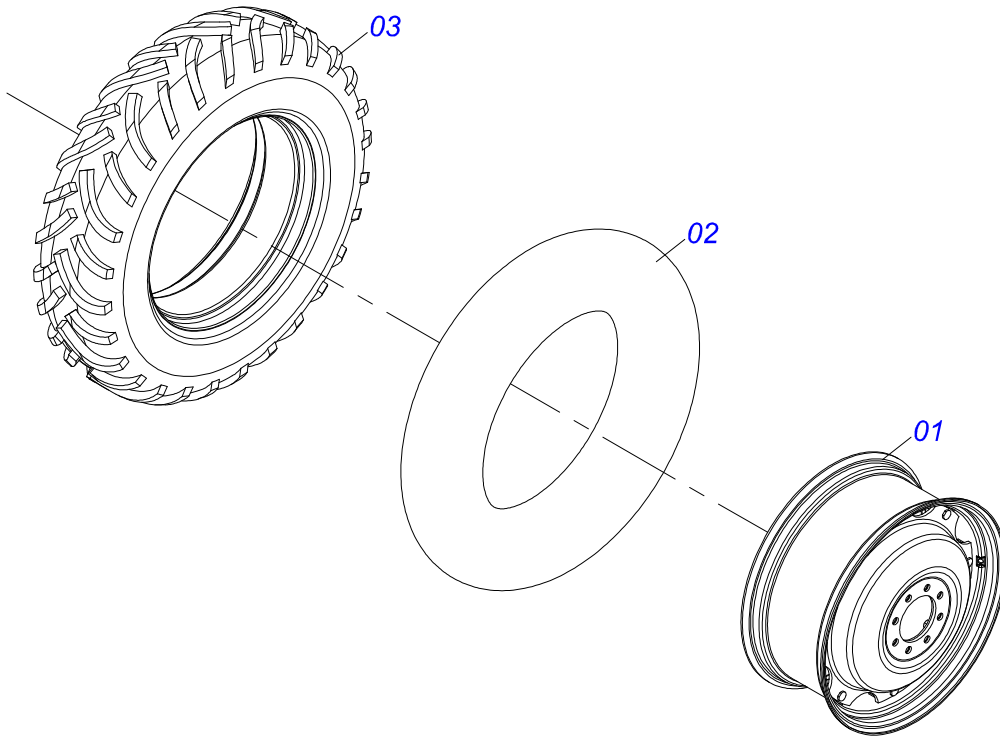
Item	Code	Description	See page	QT
01	0503011627	MALE QUICK COUPLER AGR 1/2 NPT		01
02	0503011882	MALE QUICK COUPLER CAP		01



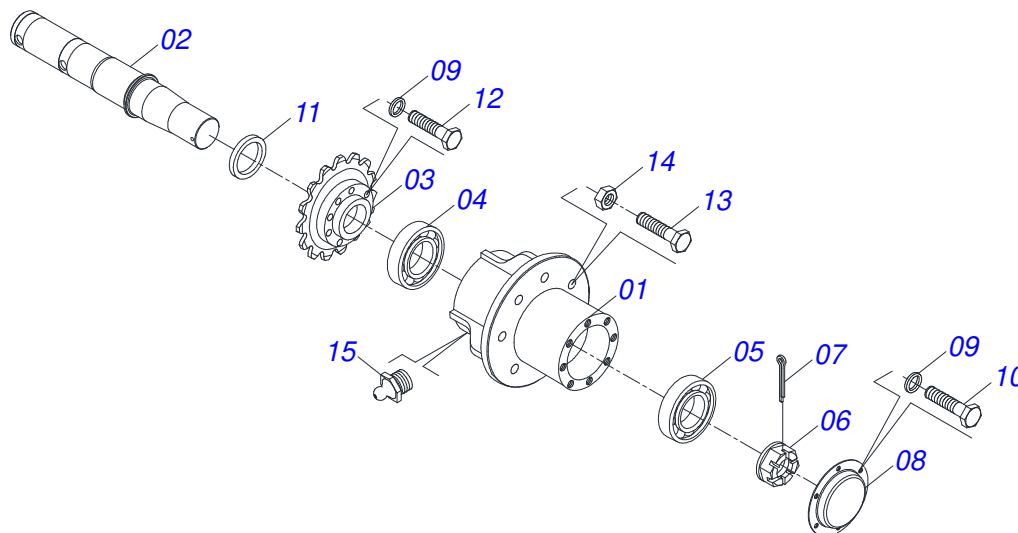
Item	Code	Description	See page	QT
01	0511069960	RIGHT ROCKER ARM		01
02	0511069961	LEFT ROCKER ARM		02
03	0501110579	WHEEL FIXER AXLE		02
04	0561010445	FLAT WASHER		02
05	0511069965	MOTOR SHAFT		02
06	0501110580	WHEEL BEARING		02
07	0503010238	BOLT 1/2 UNC X 1.3/4 CS G.2 ZN		04
08	0503010019	1/2" SPRING WASHER		29
09	0503010060	1/2 UNC G.5 ZN HEX NUT		29
10	0503010239	BOLT 1/2 UNC X 1.1/2 C S G.2 ZN		02
11	0511069988	WHEEL TOOTH 34 Z		02
12	0503010256	3/8" X 3/4" BOLT		02
13	0561010152	AXLE RATCHET		02
14	0501058451	TRANSMISSION RIGHT DRIVING		01
15	0501058452	TRANSMISSION LEFT DRIVING		01
16	0501110581	RATCHET BEARING		04
17	0503014007	1/2" X 1-1/4" BOLT		10
18	0511069989	RATCHET WHEEL TOOTH		02
19	0502011922	RATCHET DRIVING		02
20	0501067130	ADJUSTMENT BAR ASSY		02
21	0541015404	3/4" UNC 200 REGULACION		02
22	0561010192	PIN LOCK RATCHET		02
23	0503010026	3/8" NUT		04
24	0503010140	1/8" X 3/4" COTTERPIN		02
25	0503011087	3/8" X 1" BOLT		02
26	0521010578	COUPLING SHAFT		02
27	0503010002	1800 GREASE FITTING		13
28	0501058488	WHEEL WITHOUT TIRE	25	02
29	0503010232	5/8" X 1.3/4" BOLT		02
30	0503010013	5/8 NUT		02
31	0501045095	WHEEL AND TIRE ASSY	24	02

Item	Code	Description	See page	QT
32	0511047284	HYDRAULIC CYLINDER 50,8 X 101,6 X 478 X 60	20	02
33	0561010287	COUPLING SHAFT		02
34	0503010571	1/4" X 1.1/2 COTTERPIN		04
35	0511062387	CYLINDER ROCKER ARM LOCK PIN		02
36	0511017302	FLAT WASHER 13,50 X 32,50 X 3,0 ZN		02
37	0503010834	1/2 X 1 BOLT		02
38	0501052968	AGRICULTURAL BEARING ASSY	26	04
39	0503010920	1/2 UNC X 1.1/2 C S G.5 ZN BOLT		08
40	0561011232	CENTRAL SUPPORT BEARING		01
41	0503011082	C1/2" X 1.3/4" SCREW		05
42	0521019239	AXLE AGRICULTURAL BEARING		01
43	0503012623	3/8" X 1-1/2" BOLT		03
44	0503012622	3/8" UNF HEX NUT		03
45	0561010903	RIGHT LIFT ROW AXLE		01
46	0561010904	LH LIFT ROW AXLE		01
47	0561010157	RIGHT LIFT ROW AXLE		01
48	0561010158	LH LIFT ROW AXLE		01
49	0502011925	AXLE FIXER LOCK		02
50	0503010395	1/2" X 1-1/4" BOLT		02
51	0502012524	CYLINDER ARTICULATED SUPPORT		02
52	0502012525	PIVOT SUPPORT FIXER		02
53	0503014950	7/8" UNC X 3" BOLT		04
54	0503010408	7/8" SPRING WASHER		04
55	0503010417	7/8" NUT		04
56	0511047285	HYDRAULIC CYLINDER 44,45 X 85,70 X 444 X 180	21	02
57	0521011141	1.1/4" X 6.5" AXLE		02
58	0503010523	1/4" X 2" COTTERPIN		02
59	0511069966	CYLINDER LOCK PIN		02
60	0503010003	1845 GREASE FITTING		02
61	0561010183	TRANSP LOCK		02
62	0501068994	8,30 X 78 LOCK PIN		02
63	0503030168	HITCH PIN CLIP		02
64	0521010773	0.37" X 1.18" COUPLING SHAFT		02
65	0501010984	10,50 X 27 X 3,00 FLAT WASHER		02
66	0503010257	1/8" X 1" COTTERPIN		02
67	0503030085	LOCK PIN		02
68	0503010014	3/4" HEX NUT		02
69	0501058516	RATCHET CHAIN TENSIONER		02
69A	0531019479	AXLE CHAIN GEAR		01
69B	0503031806	9Z X P 5/8" GEAR		01
69C	0503010302	501019 SEAL RING		01
69D	0503010002	1800 GREASE FITTING		01
69E	0503010019	1/2" SPRING WASHER		01
69F	0503010060	1/2 UNC G.5 ZN HEX NUT		01
70	0501047884	0.98" ROD STOP		02
71	0501047885	30 ROD STOP		02
72	0501047886	35 ROD STOP		02
73	0501047887	40 ROD STOP		02
74	0501047888	45 ROD STOP		02
75	0501047889	1.96" ROD STOP		02
76	0503011648	50-1 X 69 CHAIN LINK + MENDING		02
77	0503015004	50-1 X 125 CHAIN LINK + MENDING		02
78	0503010131	3/16" X 1-1/2" COTTERPIN		04

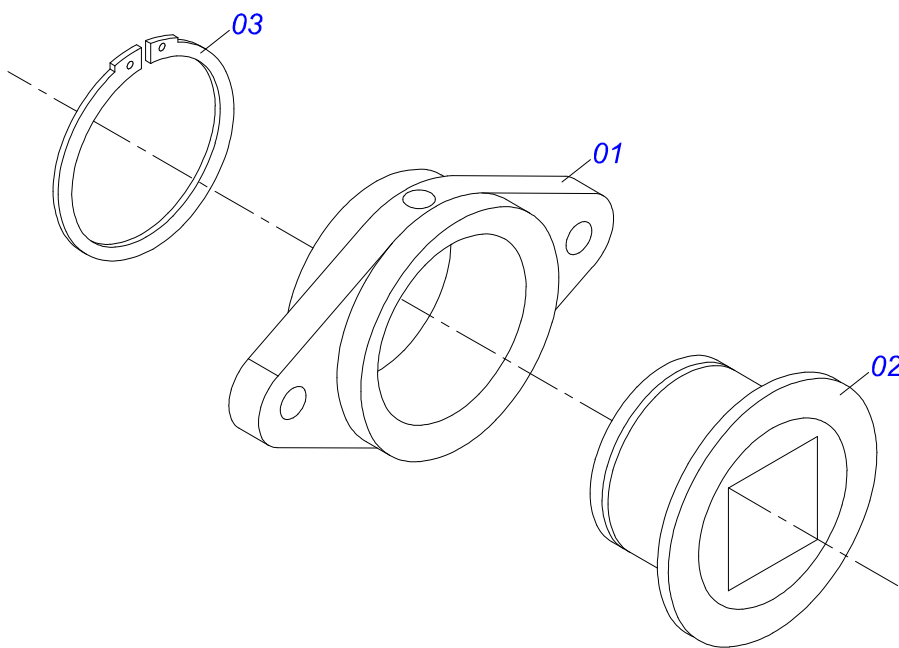




Item	Code	Description	See page	QT
01	0511068850	W-12 HOOP WHEEL		01
02	0503011317	INNER TIRE		01
03	0503011316	TIRE 8		01



Item	Code	Description	See page	QT
01	0502040464	CARRYING WHEEL HUB		01
02	0551017197	CARRYING WHEEL AXLE		01
03	0511069981	WHEEL GEAR		01
04	0503010059	33287/33462 ROLLER BEARING		01
05	0503010007	3982/3920 ROLLER BEARING		01
06	0502040080	FLANGE NUT R.2.1/2 UN		01
07	0503011345	1/4" X 3-1/2" COTTERPIN		01
08	0541013225	WHEEL BOX COVER		01
09	0503011444	SPRING WASHER		14
10	0503010240	BOLT		06
11	0503010086	SEAL 0009B-B		01
12	0503010371	5/16" X 1" BOLT		08
13	0503014050	22 X 1.5 BOLT		08
14	0503014048	22 X 1.5 HEX NUT		08
15	0503010002	1800 GREASE FITTING		01

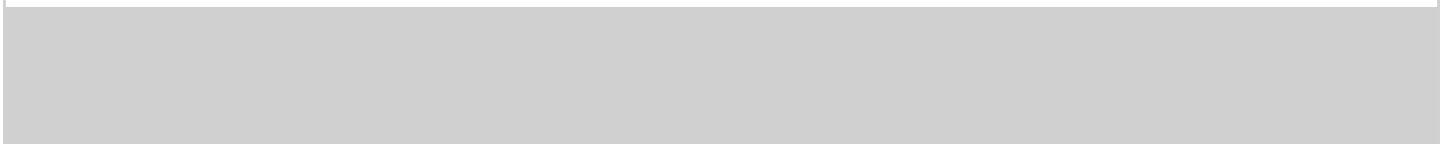


Item	Code	Description	See page	QT
01	0502011923	AGRICULTURAL BEARING ASSY		01
02	0502011924	GUIDE AXLE		01
03	0503011789	501075 CLAMPING RING (FOR AXLE)		01



# ANNOTATION

Area with horizontal lines for writing annotations.





**MARCHESAN**

**Technical Publications | Elaboration and Revision**

ALESSANDRA PATRICIA KAWAHARA CARRILI

[www.marchesan.com.br](http://www.marchesan.com.br)

