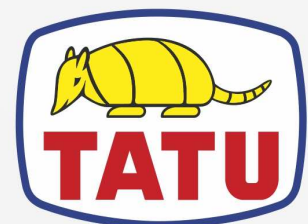


**AUXILIARY PRODUCTS**

**GATG-LD**

**Code:** 0501090863  
**Series:** S-0114  
**Revision:** 00  
**Date Revision:** FEVEREIRO/2023

# PARTS CATALOGUE



**MARCHESAN**



# PRODUCTS

Code	Description
0407010051	GATG LD C/PN VALV SEG S-0114

## ATTENTION: IMPORTANT

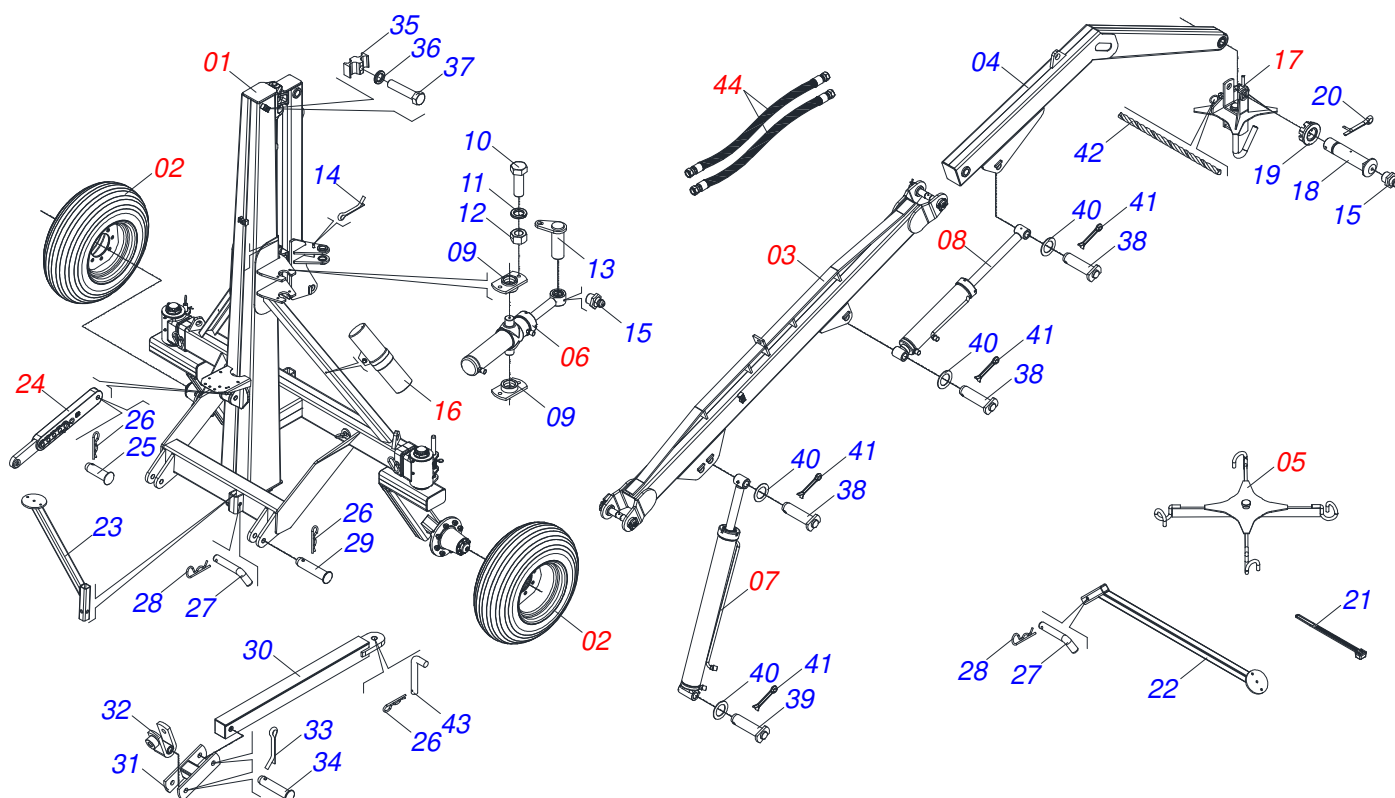
Marchesan S.A. reserves the right to improve and/or modify the technical features of its products, without obligation to do the same with those products already sold and without prior knowledge of the dealer or the customer. The photos are only illustrative.



**MARCHESAN**

# INDEX

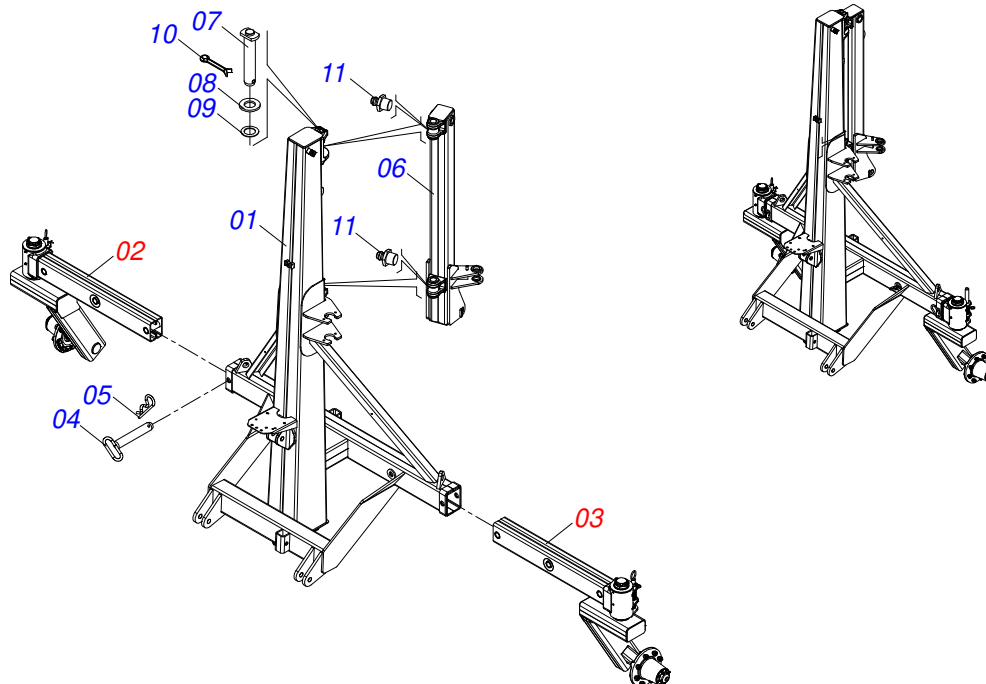
0909093242	GATG-LD	.....	1
0521043426	ASSY TOWER	.....	2
0511054471	ASSY RIGHT WHEELED ARM	.....	3
0511054472	ASSY LEFT ROD ARM	.....	4
0511054563	RIGHT WHEEL ARM	.....	5
0501058791	STUB SHAFT & HUB ASSY	.....	6
0511054564	LEFT WHEEL ARM	.....	7
0503060244	WHEEL WITH TIRE 11L-15 10L 8F ASSY	.....	8
0511050629	SPEAR WITH ARTICULATION AXIS	.....	9
0521051793	CROSS WITH AXLE	.....	10
0511058445	HYDRAULIC CYLINDER 44,45X85,7X205X322	.....	11
0511048829	HYDRAULIC CYLINDER 44,45 X 85,7 X 205 X 322	.....	12
0511058407	HYDRAULIC CYLINDER 50,8X101,6X1139X883	.....	13
0511048828	HYDRAULIC CYLINDER 50,8 X 101,6 X 1140 X 882	.....	14
0511058400	50,80 X 101,60 X 710 X 399 HIDRAULIC CYLINDER	.....	15
0511049187	HYDRAULIC CYLINDER	.....	16
0521051792	ASSY PORT MANUAL INSTRUCCION	.....	17
0511050632	ASSY CRUZETA	.....	18
0511050583	U HOOK	.....	19
0521040658	ADJUSTMENT BAR	.....	20
0909093921	HYDRAULIC CIRCUIT	.....	21
0909093263	HYDRAULIC CIRCUIT	.....	22
0511054457	ASSY SAFETY VALVE	.....	23
0501053834	MALE QUICK COUPLER	.....	24



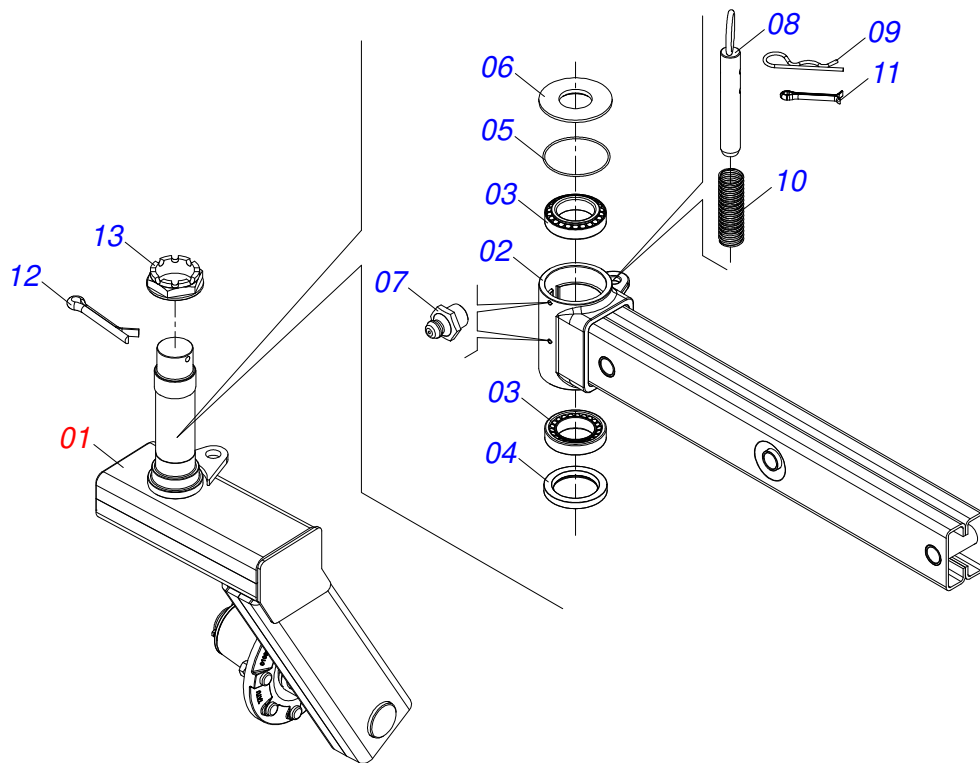
Item	Code	Description	See page	QT
01	0521043426	ASSY TOWER	2	01
02	0503060244	WHEEL WITH TIRE 11L-15 10L 8F ASSY	8	02
03	0511050629	SPEAR WITH ARTICULATION AXIS	9	01
04	0521064402	FRONT BOOM BODY		01
05	0521051793	CROSS WITH AXLE	10	01
06	0511058445	HYDRAULIC CYLINDER 44,45X85,7X205X322	11	01
06.	0511048829	HYDRAULIC CYLINDER 44,45 X 85,7 X 205 X 322	12	02
07.	0511058407	HYDRAULIC CYLINDER 50,8X101,6X1139X883	13	01
07.	0511048828	HYDRAULIC CYLINDER 50,8 X 101,6 X 1140 X 882	14	01
08.	0511058400	50,80 X 101,60 X 710 X 399 HIDRAULIC CYLINDER	15	01
08.	0511049187	HYDRAULIC CYLINDER	16	01
09	0511061810	HYDRAULIC CYLINDER FIXING FLANGE		02
10	0503010920	1/2 UNC X 1.1/2 C S G.5 ZN BOLT		04
11	0503010019	1/2" SPRING WASHER		04
12	0503010060	1/2 UNC G.5 ZN HEX NUT		04
13	0521062127	PIVOT SHAFT		01
14	0503010257	1/8" X 1" COTTERPIN		01
15	0503010002	1800 GREASE FITTING		03
16	0521051792	ASSY PORT MANUAL INSTRUCCION	17	01
17	0511050632	ASSY CRUZETA	18	01
17.	0511050583	U HOOK	19	01
18	0521012828	1.5" X 6.8" PIVOT SHAFT		01
19	0501011301	1.1/2 UNC 6FPP 2.5/16 NUT		01
20	0503010010	1/4" X 2.1/2" COTTERPIN		01
21	0503013100	NYLON CLAMP		10
22	0521064328	PLOUGH SUPPORT		01
23	0521060304	PLOUGH SUPPORT FRONT		01
24	0521040658	ADJUSTMENT BAR	20	01
25	0521010579	COUPLING SHAFT		01
26	0503031035	HITCH PIN CLIP		03
27	0501011075	PIN		02



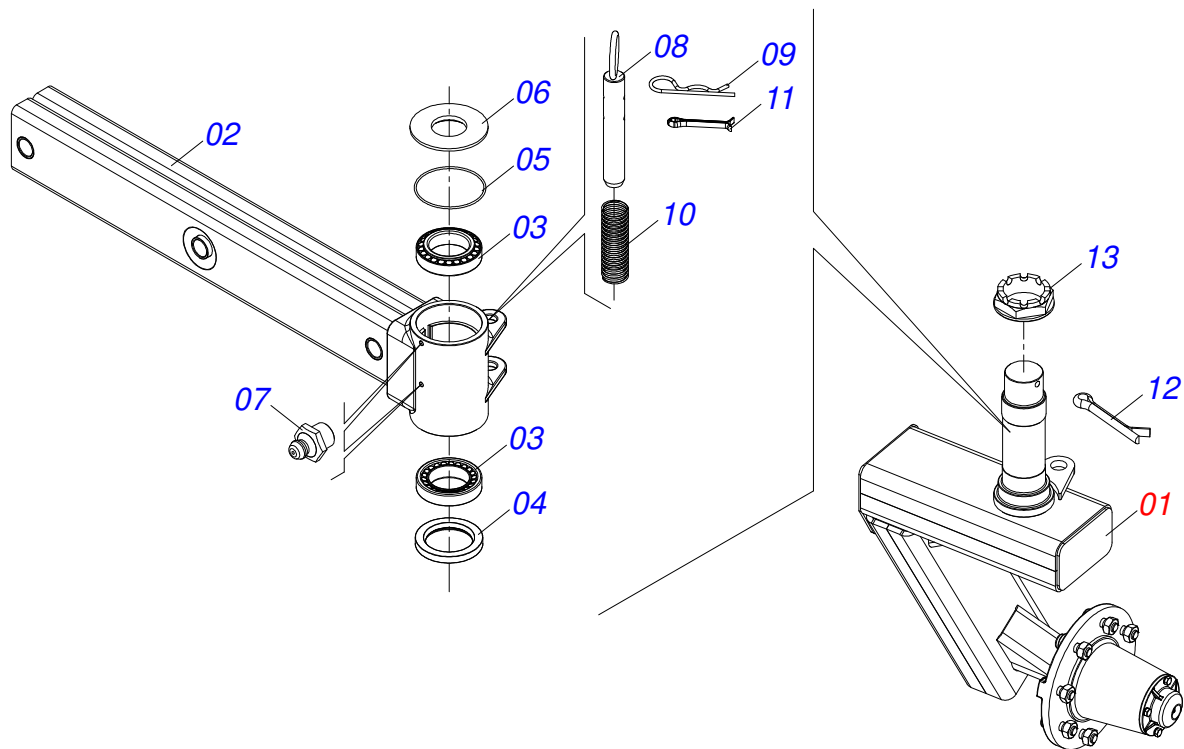
Item	Code	Description	See page	QT
28	0503030012	HITCH PIN CLIP		02
29	0521010596	COUPLING SHAFT		02
30	0521062037	DRAWBAR ASSY		01
31	0521062036	HITCH ARTICULACION		01
32	0521065106	U COUPLING TRACTOR		01
33	0503010523	1/4" X 2" COTTERPIN		02
34	0521010582	COUPLING SHAFT		02
35	0502012702	BODY SUPPORT CLAMP		03
36	0503010180	7/16" SPRING WASHER		03
37	0503012555	SCREW 7/16 UNC X 2 CS RT G.7 ZN		03
38	0521063226	COUPLING SHAFT		03
39	0521063227	COUPLING SHAFT		01
40	0511019685	FLAT WASHER		04
41	0503010534	3/8 X 2-1/2 COTTERPIN		04
42	0561019051	ROPE		01
43	0521010453	AXI SHAFT		01
44	0909093921	HYDRAULIC CIRCUIT	21	01
44.	0909093263	HYDRAULIC CIRCUIT	22	01



Item	Code	Description	See page	QT
01	0521062054	CHARGING BAR TOWER		01
02	0511054471	ASSY RIGHT WHEELED ARM	3	01
03	0511054472	ASSY LEFT ROD ARM	4	01
04	0501069080	COUPLING SHAFT		04
05	0503031035	HITCH PIN CLIP		04
06	0521061767	TURNING TOWER		01
07	0521063228	COUPLING SHAFT		02
08	0551012215	FLAT WASHER		02
09	0511019685	FLAT WASHER		02
10	0503010073	3/8 X 3-1/2 COTTERPIN		02
11	0503010002	1800 GREASE FITTING		02

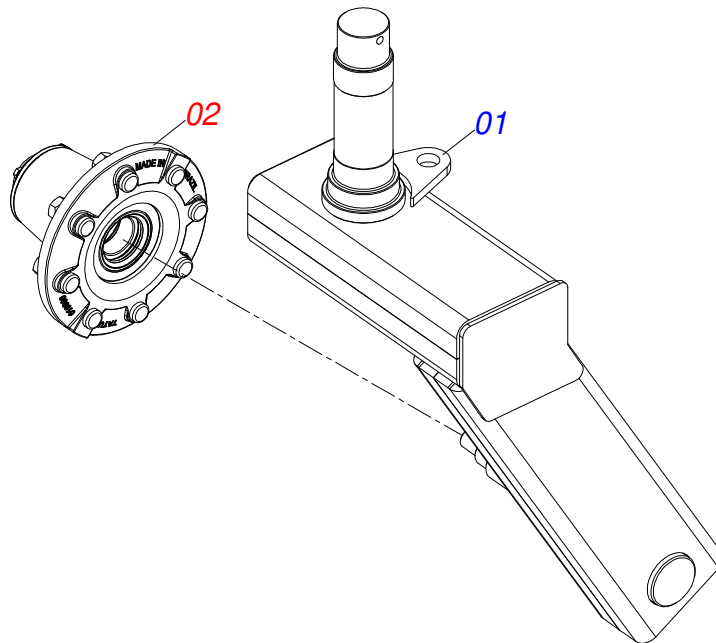


Item	Code	Description	See page	QT
01	0511054563	RIGHT WHEEL ARM	5	01
02	0521060211	RIGHT ARM		01
03	0503010059	33287/33462 ROLLER BEARING		02
04	0503010050	SEAL 00085-B		01
05	0503012314	2-248 1G05195 O'RING		01
06	0541016926	HUB COVER		01
07	0503010002	1800 GREASE FITTING		02
08	0521064320	LOCK PIN		01
09	0503030012	HITCH PIN CLIP		01
10	0503030978	COMPRES SPRING		01
11	0503010131	3/16" X 1-1/2" COTTERPIN		01
12	0503010073	3/8 X 3-1/2 COTTERPIN		01
13	0502040080	FLANGE NUT R.2.1/2 UN		01

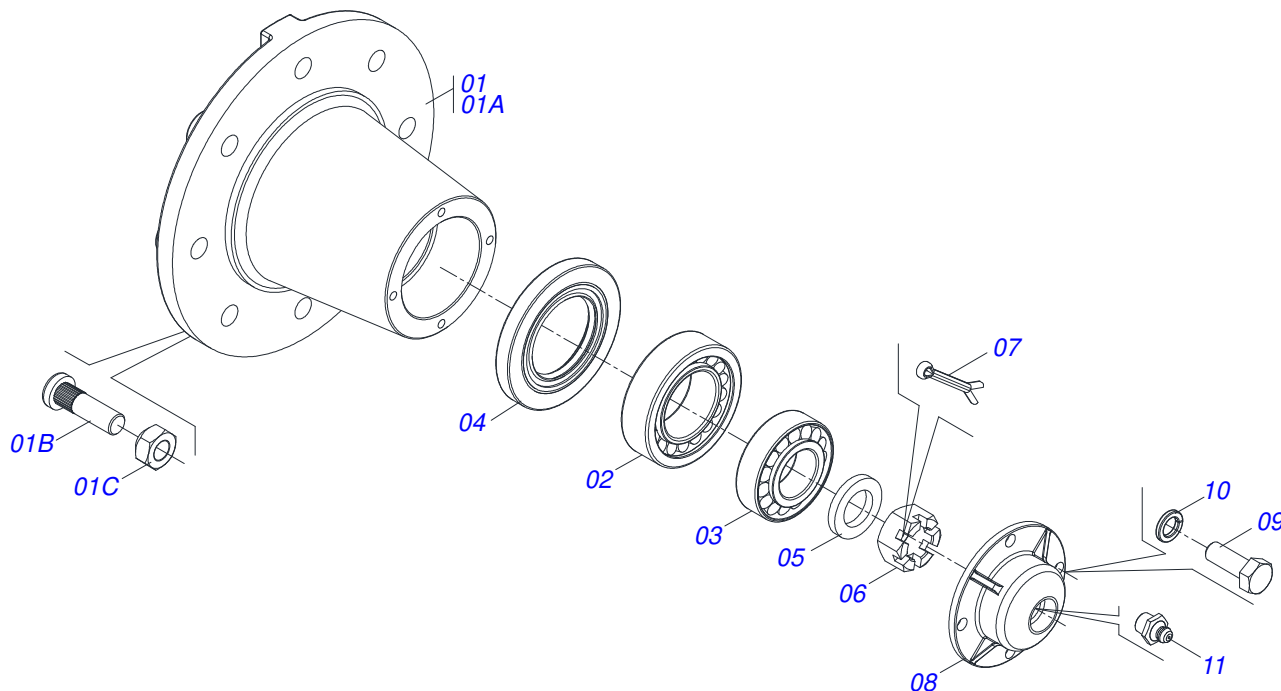


Item	Code	Description	See page	QT
01	0511054564	LEFT WHEEL ARM	7	01
02	0521060212	LEFT ARM		01
03	0503010059	33287/33462 ROLLER BEARING		02
04	0503010050	SEAL 00085-B		01
05	0503012314	2-248 1G05195 O'RING		01
06	0541016926	HUB COVER		01
07	0503010002	1800 GREASE FITTING		02
08	0521064320	LOCK PIN		01
09	0503030012	HITCH PIN CLIP		01
10	0503030978	COMPRES SPRING		01
11	0503010131	3/16" X 1-1/2" COTTERPIN		01
12	0503010073	3/8 X 3-1/2 COTTERPIN		01
13	0502040080	FLANGE NUT R.2.1/2 UN		01

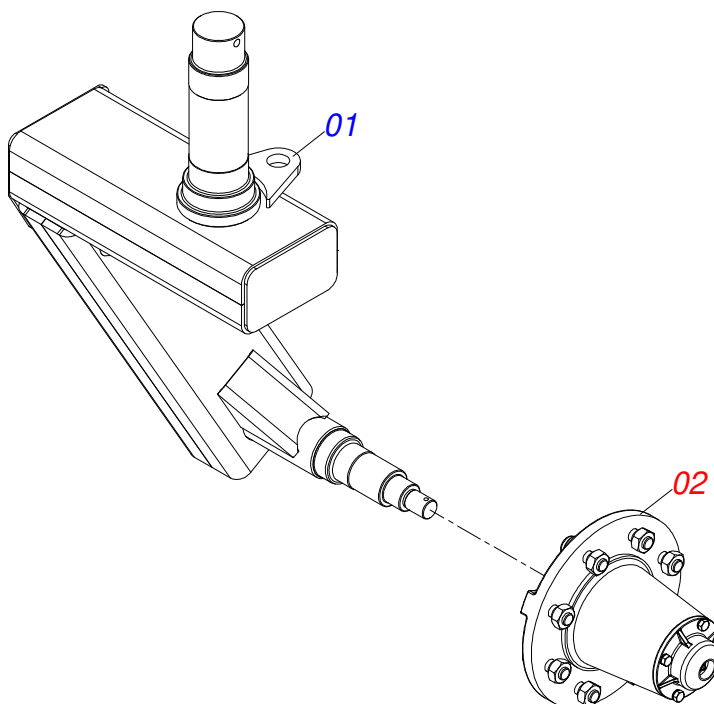




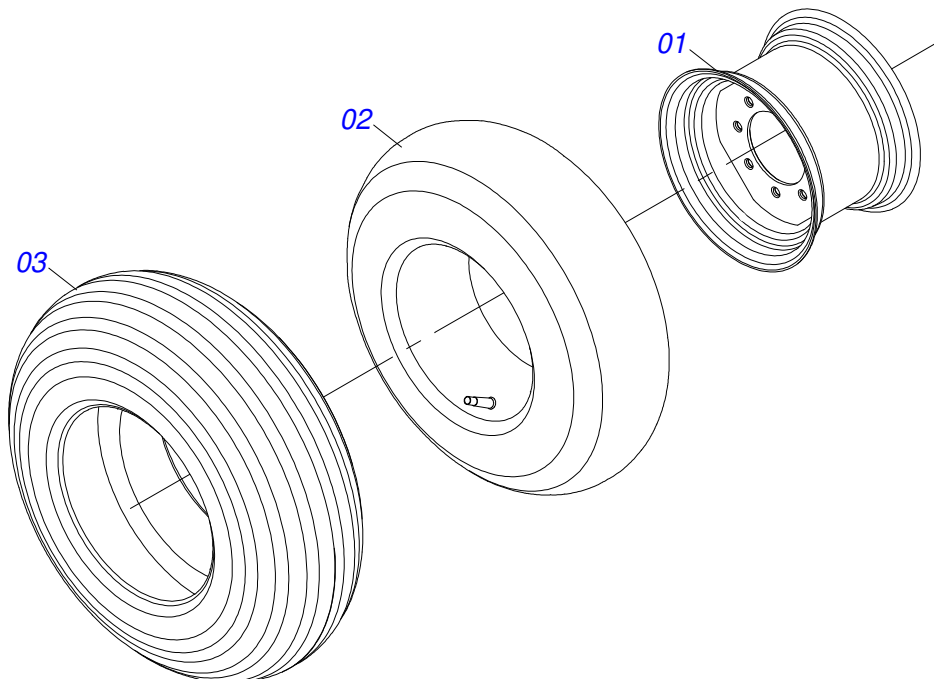
Item	Code	Description	See page	QT
01	0521060221	RIGHT CARRYING-WHEELS SUPPORT		01
02	0501058791	STUB SHAFT & HUB ASSY	6	01



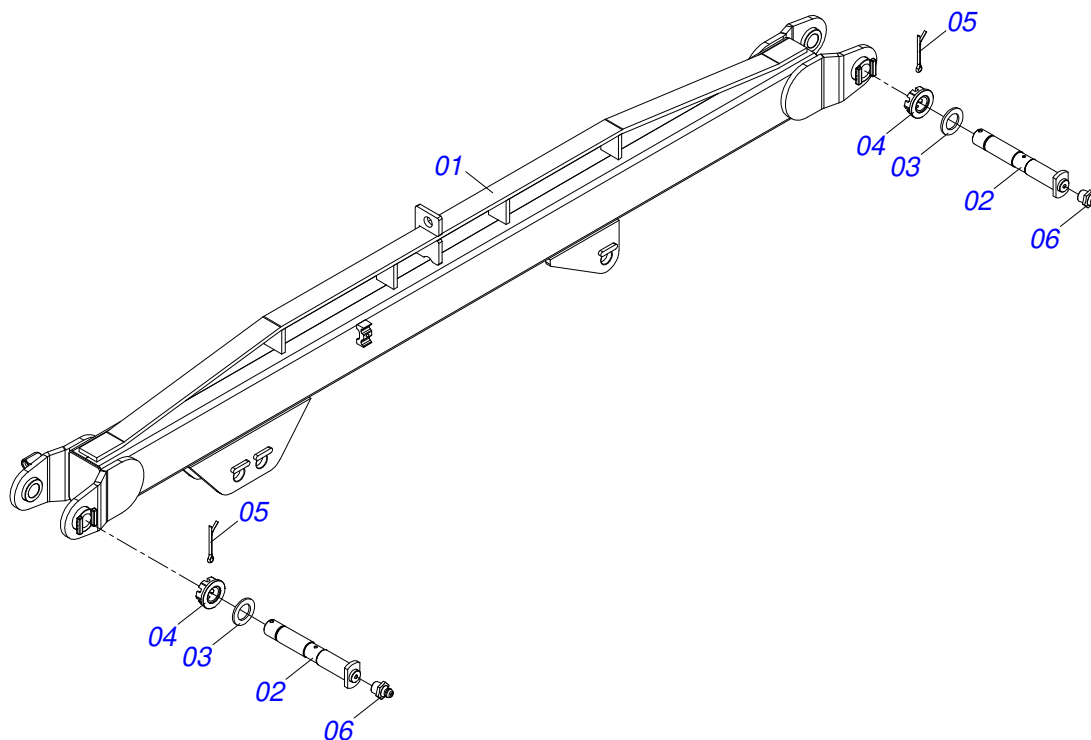
Item	Code	Description	See page	QT
01	0501110738	CARRYING WHEEL HUB		01
01A	0502012260	TRANSPORT WHEEL BOX		01
01B	0501010186	WHEEL SCREW 5/8UNF X 2.1/8CR		08
01C	0503010064	5/8 UNF CONIC NUT		08
02	0503010008	3780/3720 ROLLER BEARING		01
03	0503011156	ROLAMENTO 2780/2720 IMP		01
04	0503013314	RETAINER 5166-GB 63,5 X 110 X 13 ARCA		01
05	0511012492	FLAT WASHER		01
06	0503030009	1" CASTLE NUT		01
07	0503010018	5/32 X 1-1/2 COTTERPIN		01
08	0502020591	PROTECCION COVER		01
09	0503010358	5/16" X 5/8" BOLT		04
10	0503011444	SPRING WASHER		04
11	0503010002	1800 GREASE FITTING		01
12	1882970002	GREASE SOAP		0,001 Kg



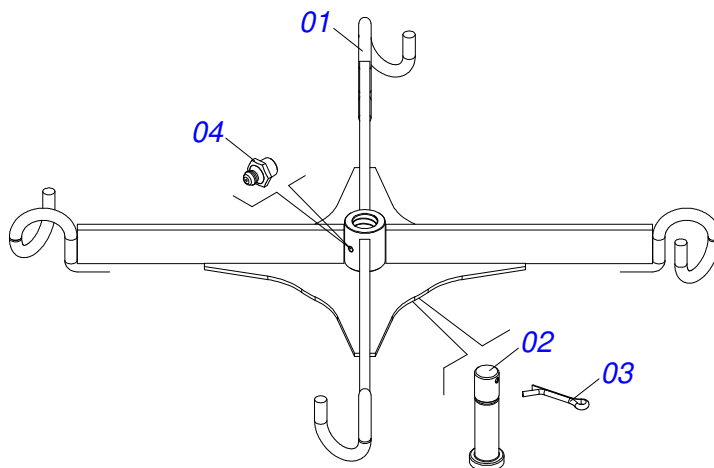
Item	Code	Description	See page	QT
01	0521060219	LEFT CARRYING-WHEELS SUPPORT		01
02	0501058791	STUB SHAFT & HUB ASSY	6	01



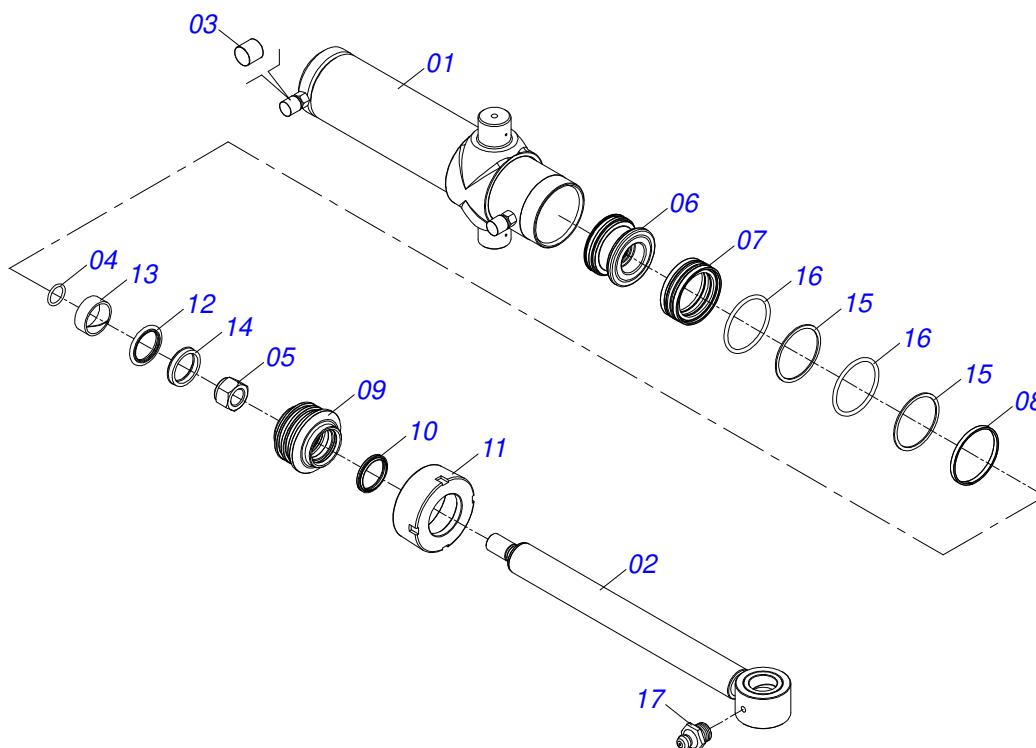
Item	Code	Description	See page	QT
01	0503012108	WHEEL 10 LB X 15 X 8F X 203		01
02	0503010860	AIR CHAMBER 11L 15		01
03	0503010858	CANVAS TIRE		01



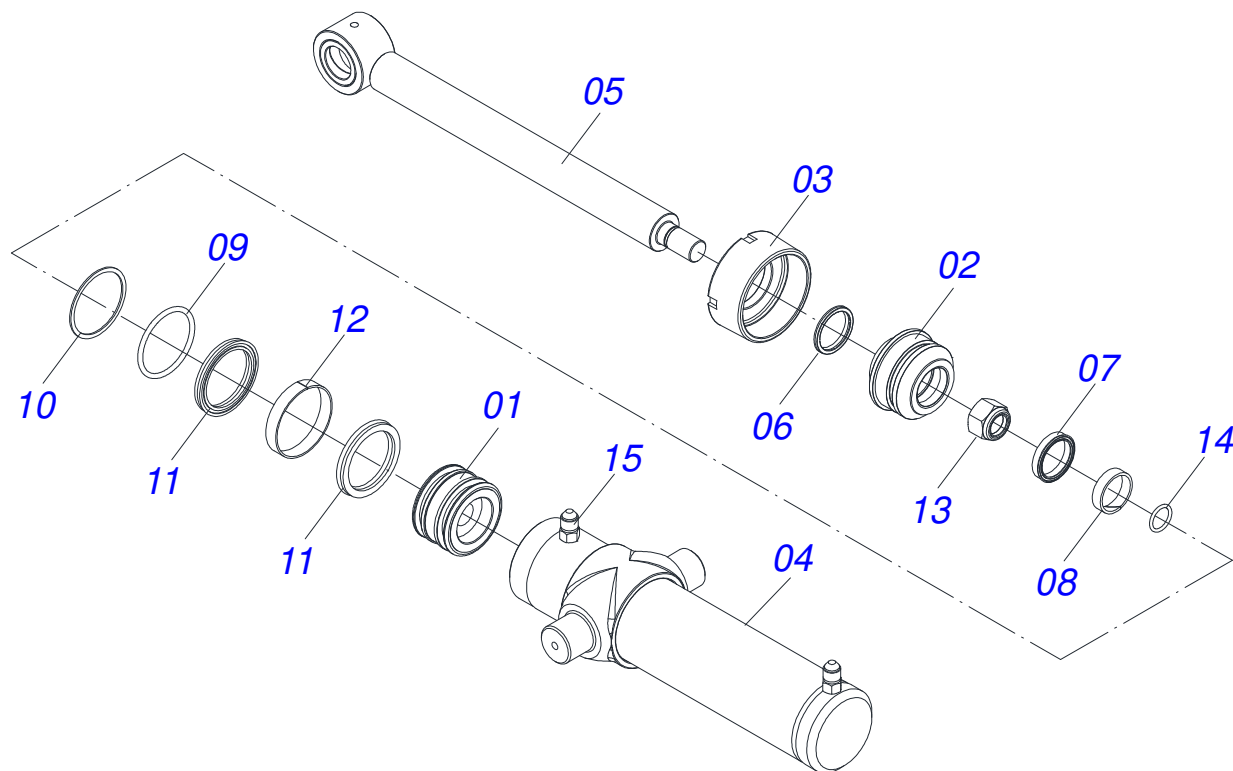
Item	Code	Description	See page	QT
01	0521064392	REAR FRAME		01
02	0521062101	PIVOT SHAFT 38,10 X 251		02
03	0501012916	FLAT WASHER 40 X 66 X 4,75 ZN		02
04	0501011301	1.1/2 UNC 6FPP 2.5/16 NUT		02
05	0503011345	1/4" X 3-1/2" COTTERPIN		02
06	0503010002	1800 GREASE FITTING		02



Item	Code	Description	See page	QT
001	0521060235	CROSSPIECE		01
002	0581011022	COUPLING SHAFT		01
003	0503010010	1/4" X 2.1/2" COTTERPIN		01
004	0503010002	1800 GREASE FITTING		01

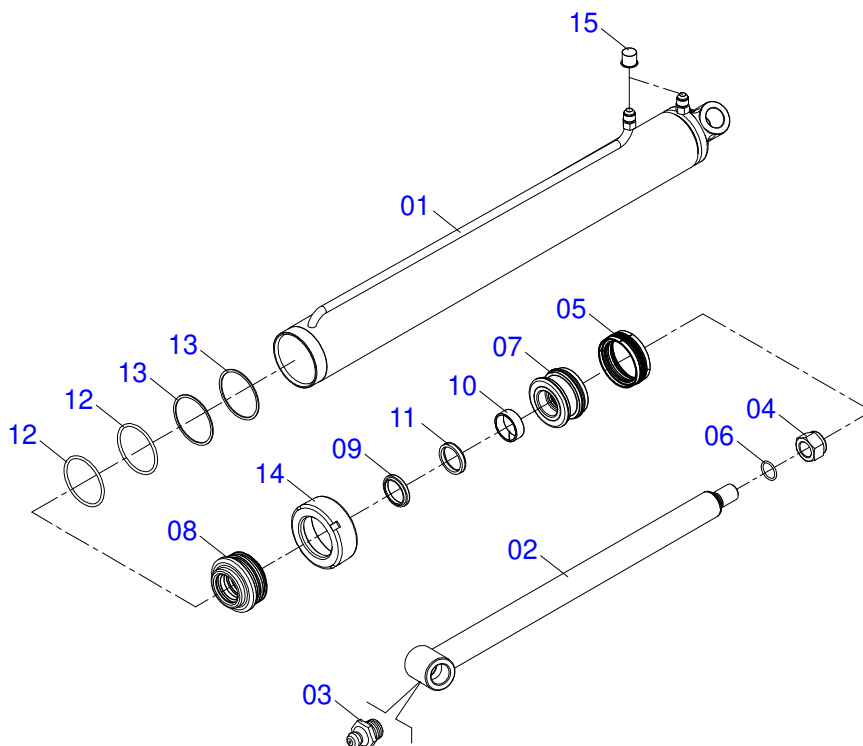


Item	Code	Description	See page	QT
001	0521061771	CYLINDER CASE		01
002	0521061770	44,45 X 517 ROD		01
003	0503030385	CYLINDER PLUG N-002		02
004	0503010042	2-214 N 3006-9B O'RING		01
005	0503010063	1" SELF-ALIGNING NUT		01
006	0571019710	1.7" X 3.4" PISTON		01
007	0503017935	RING		01
008	0503018144	RING		01
009	0571019711	RING SUPPORT		01
010	0503010761	D-1750 SCRAPER RING		01
011	0571019709	DETACHABLE COVER		01
012	0503017936	RING		01
013	0503017938	RING GUIDE		01
014	0503017937	GASKET		01
015	0503017940	8-337 BACK-UP RING		02
016	0503017939	2-337 N 3006-9B O' RING		02
017	0503010002	1800 GREASE FITTING		01

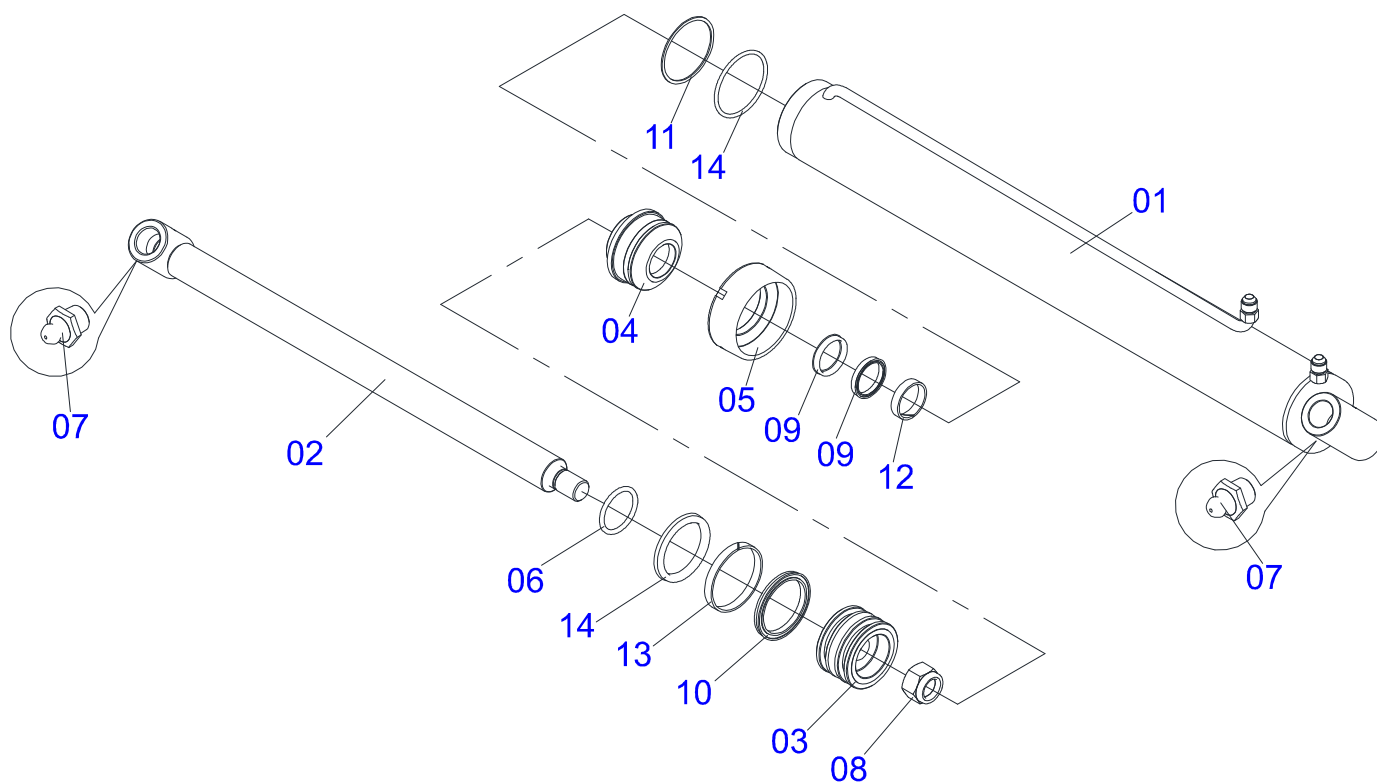


Item	Code	Description	See page	QT
01	0502010843	1.8" X 3.4" PISTON		01
02	0502010781	RING SUPPORT		01
03	0502010993	DETACHABLE COVER		01
04	0521061771	CYLINDER CASE		01
05	0521061770	44,45 X 517 ROD		01
06	0503010761	D-1750 SCRAPER RING		01
07	0521061770	44,45 X 517 ROD		01
08	0503010949	W2-2000-500 PK RING G.E		01
09	0503010976	2-336 N 3006-9B O'RING		01
10	0503011060	8-336 BACK-UP RING		01
11	0503010170	PACKING 3120 2750		01
12	0503010948	W4-3346-590 PK RING G.E		01
13	0503010063	1" SELF-ALIGNING NUT		01
14	0503010042	2-214 N 3006-9B O'RING		01
15	0503030385	CYLINDER PLUG N-002		02

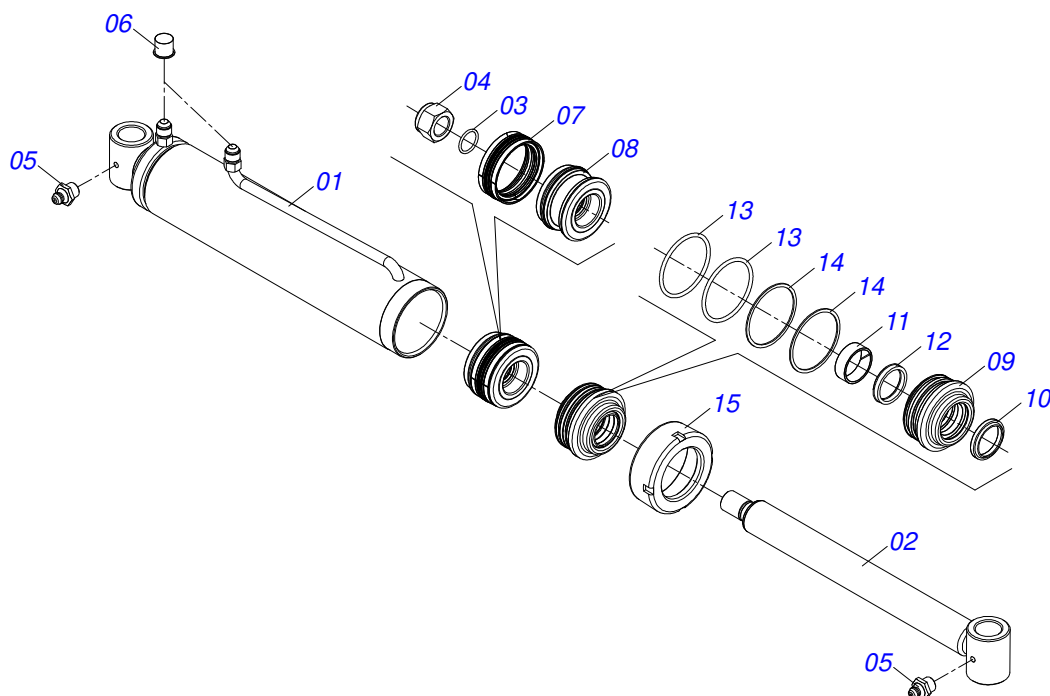




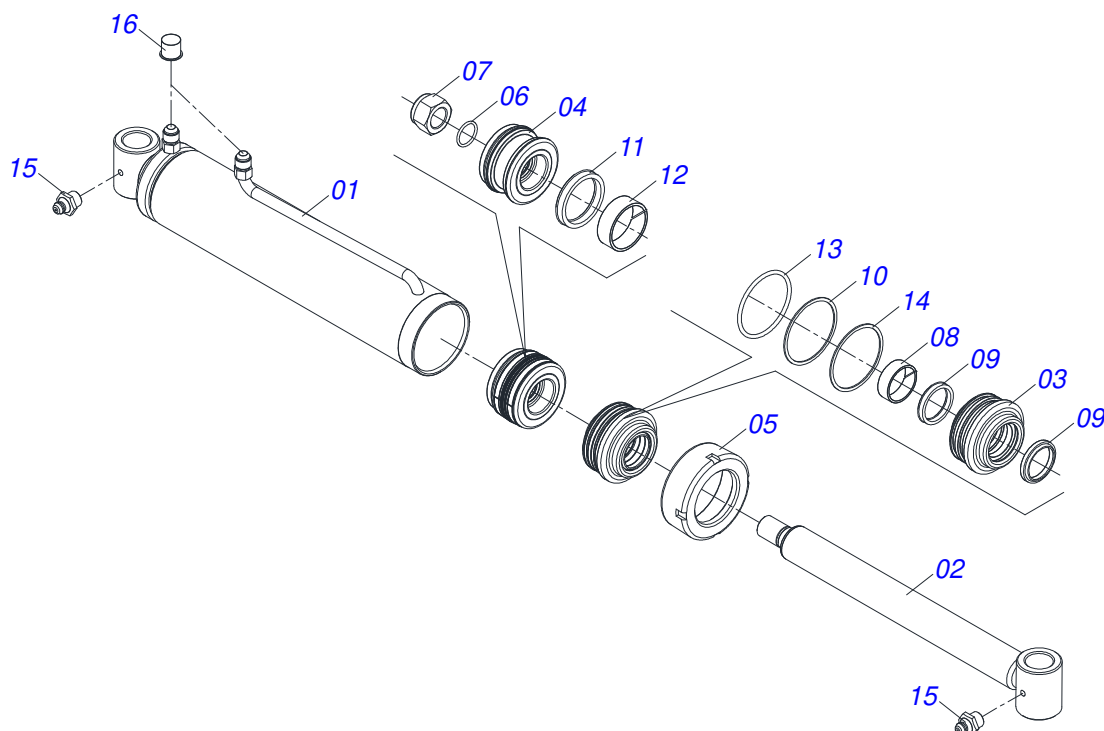
Item	Code	Description	See page	QT
001	0521061768	101,6 X 1056 CYLINDER CASE		01
002	0521061769	50,8 X 1088 ROD		01
003	0503010002	1800 GREASE FITTING		02
004	0503010817	1.1/4" SELF LOCKING NUT		01
005	0503015633	SELEMASTER SEALING		01
006	0503010345	2-218 N 3006-9B O'RING		01
007	0502012842	50,80 X 101,60 PISTON		01
008	0581010678	50,80 X 101 RING SUPPORT		01
009	0503015636	SCRAPER SEAL		01
010	0503018025	RING GUIDE		01
011	0503018026	1870-2000-375 B GASKET		01
012	0503010338	2-342 N 3006-9B O'RING		02
013	0503011061	8-342 BACK-UP RING		02
014	0502012822	101.60 END CAP		01
015	0503030387	PLUG		02



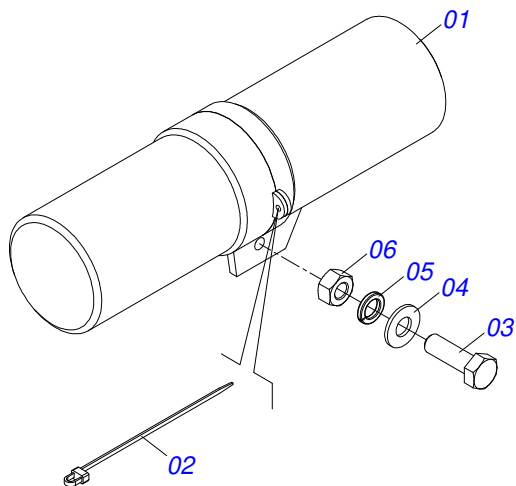
Item	Code	Description	See page	QT
01	0521061768	101,6 X 1056 CYLINDER CASE		01
02	0521061769	50,8 X 1088 ROD		01
03	0502010992	2.0" X 4.0" PISTON		01
04	0502010778	2" X 4.2" RING SUPPORT		01
05	0502010017	4" HEAD		01
06	0503010345	2-218 N 3006-9B O'RING		01
07	0503010002	1800 GREASE FITTING		02
08	0503010817	1.1/4" SELF LOCKING NUT		01
09	0503010991	1870-2000-375-B GASKET		02
10	0503010043	PACKING 3750-3250		02
11	0503011061	8-342 BACK-UP RING		01
12	0503010952	W2-2250-500 RING		01
13	0503010994	W2-4000-500 PK RING G.E		01
14	0503010338	2-342 N 3006-9B O'RING		01



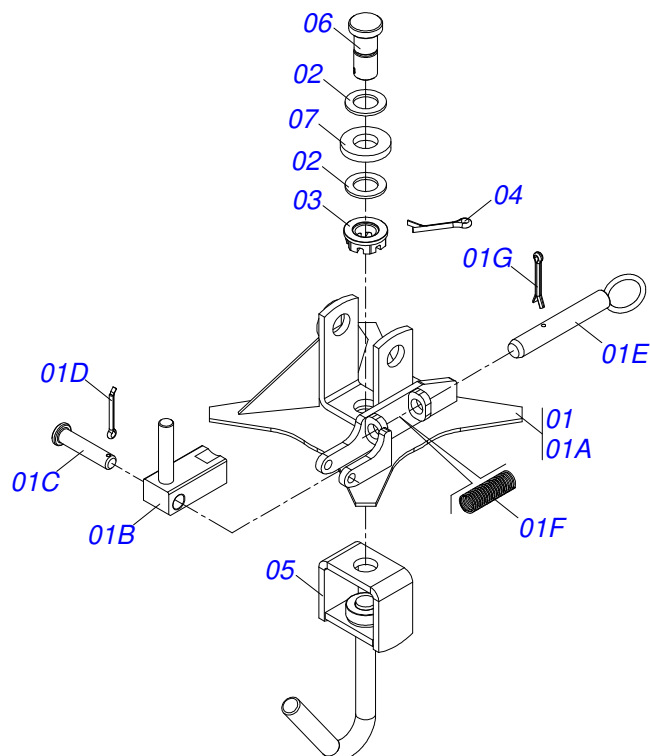
Item	Code	Description	See page	QT
001	0521062048	101,60 X 593 JACKET		01
002	0521062049	50,80 X 583 EXTENSOR		01
003	0503010345	2-218 N 3006-9B O'RING		01
004	0503010817	1.1/4" SELF LOCKING NUT		01
005	0503010002	1800 GREASE FITTING		02
006	0503030387	PLUG		02
007	0503015633	SELEMASTER SEALING		01
008	0502012842	50,80 X 101,60 PISTON		01
009	0581010678	50,80 X 101 RING SUPPORT		01
010	0503015636	SCRAPER SEAL		01
011	0503018025	RING GUIDE		01
012	0503018026	1870-2000-375 B GASKET		01
013	0503010338	2-342 N 3006-9B O'RING		02
014	0503011061	8-342 BACK-UP RING		02
015	0502012822	101.60 END CAP		01



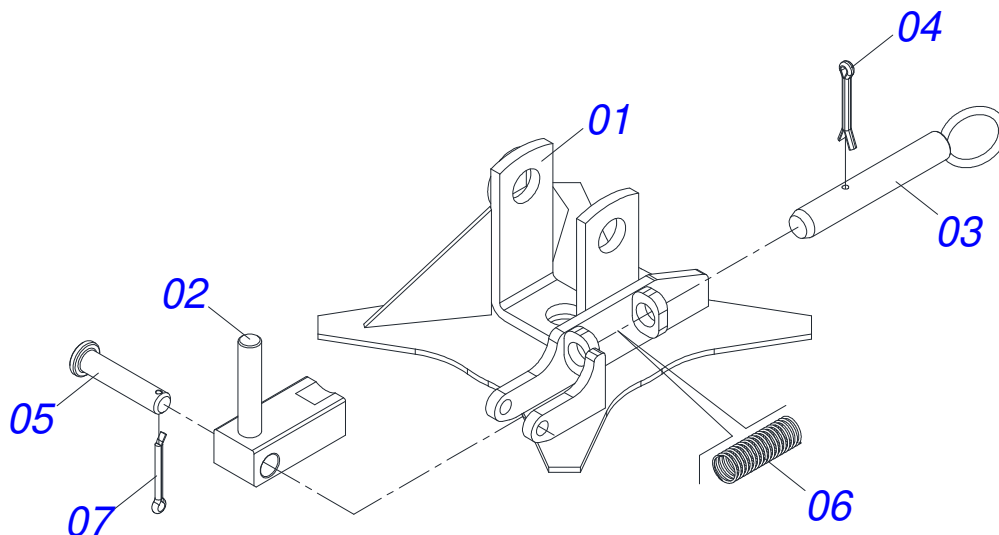
Item	Code	Description	See page	QT
01	0521062048	101,60 X 593 JACKET		01
02	0521062049	50,80 X 583 EXTENSOR		01
03	0502010778	2" X 4.2" RING SUPPORT		01
04	0502010992	2.0" X 4.0" PISTON		01
05	0502010017	4" HEAD		01
06	0503010345	2-218 N 3006-9B O'RING		01
07	0503010817	1.1/4" SELF LOCKING NUT		01
08	0503010994	W2-4000-500 PK RING G.E		01
09	0503010043	PACKING 3750-3250		02
10	0503010039	D-2000 SCRAPER RING		01
11	0503010991	1870-2000-375-B GASKET		01
12	0503010952	W2-2250-500 RING		01
13	0503010338	2-342 N 3006-9B O'RING		01
14	0503011061	8-342 BACK-UP RING		01
15	0503010002	1800 GREASE FITTING		02
16	0503030387	PLUG		02



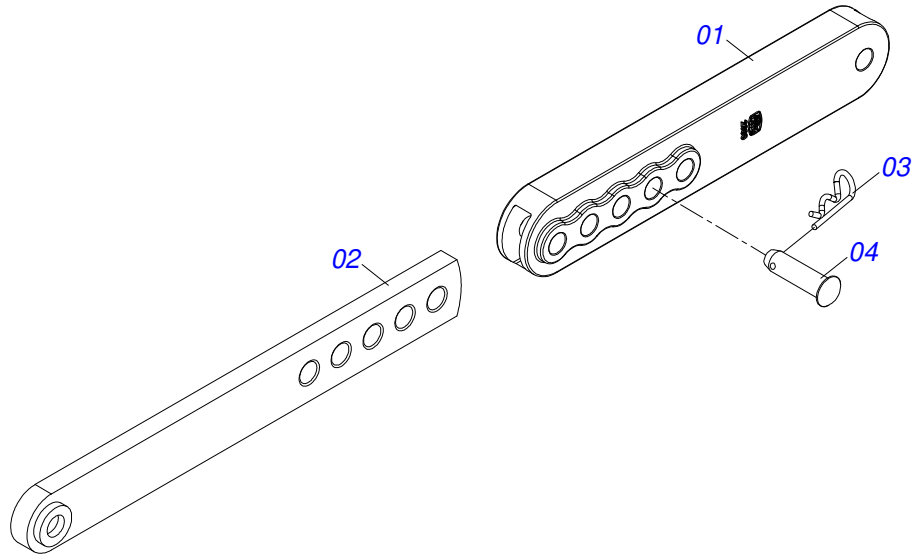
Item	Code	Description	See page	QT
01	0503060100	INSTRUCTIONS MANUAL CANISTER		01
02	0503010267	NYLON CLAMP		01
03	0503010363	BOLT 5/16 UNC X 1 C S G.2 ZN		01
04	0501010694	FLAT WASHER		01
05	0503010179	LOCK WASHER 5/16 ZN 1K01528		01
06	0503010337	5/16" NUT		01



Item	Code	Description	See page	QT
01	0511050583	U HOOK	19	01
01A	0521062040	U COUPLING FOR CROSSPIECE		01
01B	0521062039	GATG LD RESET		01
01C	0501068990	COUPLING SHAFT		01
01D	0503010018	5/32 X 1-1/2 COTTERPIN		01
01E	0541011345	16 X 68 PLUGER		01
01F	0503030517	1.27" X 4.72" X 0.9" SPRING		01
01G	0503010362	1/8 X 1.1/4 COTTERPIN		01
02	0501012916	FLAT WASHER 40 X 66 X 4,75 ZN		02
03	0501011301	1.1/2 UNC 6FPP 2.5/16 NUT		01
04	0503010010	1/4" X 2.1/2" COTTERPIN		01
05	0521066708	HOOK HITCH		01
06	0581015229	1.1/2 UNC X 77 SHAFT JUNCTION		01
07	0501012694	FLAT WASHER		01

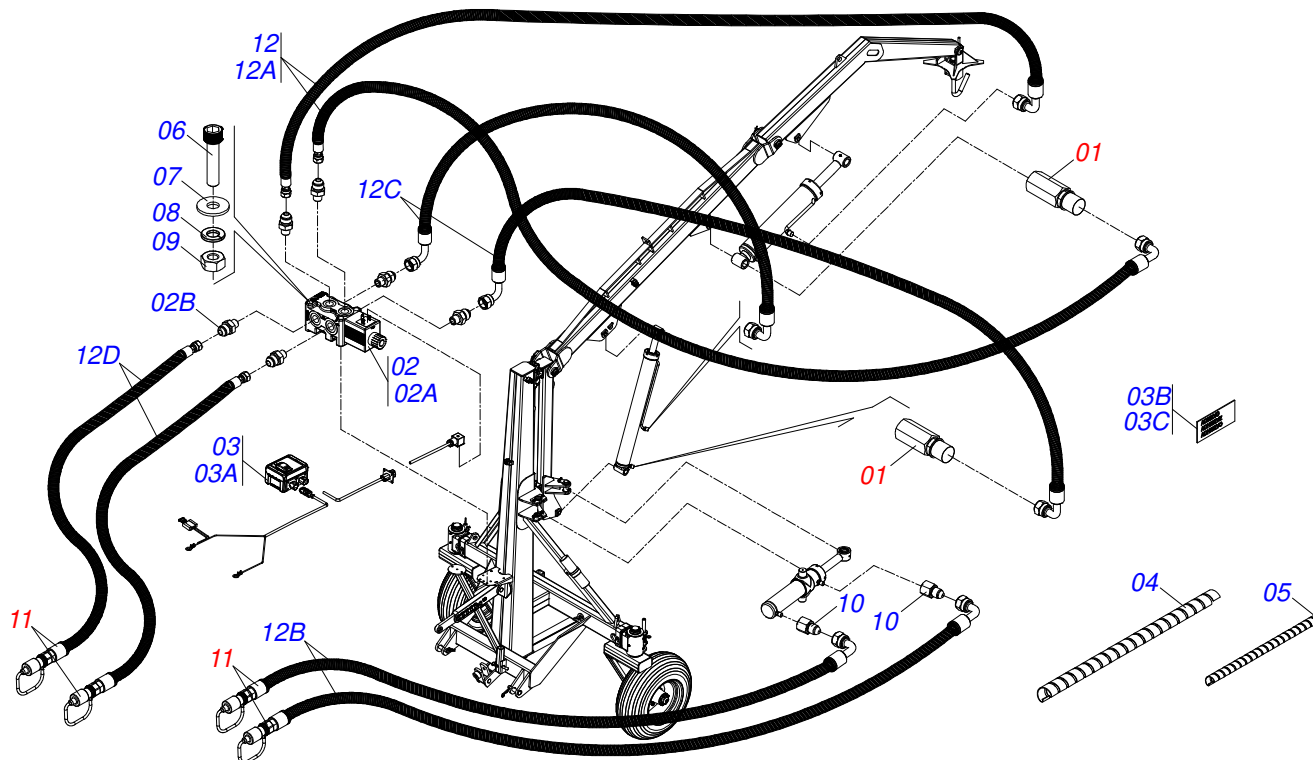


Item	Code	Description	See page	QT
01	0521062040	U COUPLING FOR CROSSPIECE		01
02	0521062039	GATG LD RESET		01
03	0501068990	COUPLING SHAFT		01
04	0503010018	5/32 X 1-1/2 COTTERPIN		01
05	0541011345	16 X 68 PLUGER		01
06	0503030517	1.27" X 4.72"X 0.9" SPRING		01
07	0503010362	1/8 X 1.1/4 COTTERPIN		01

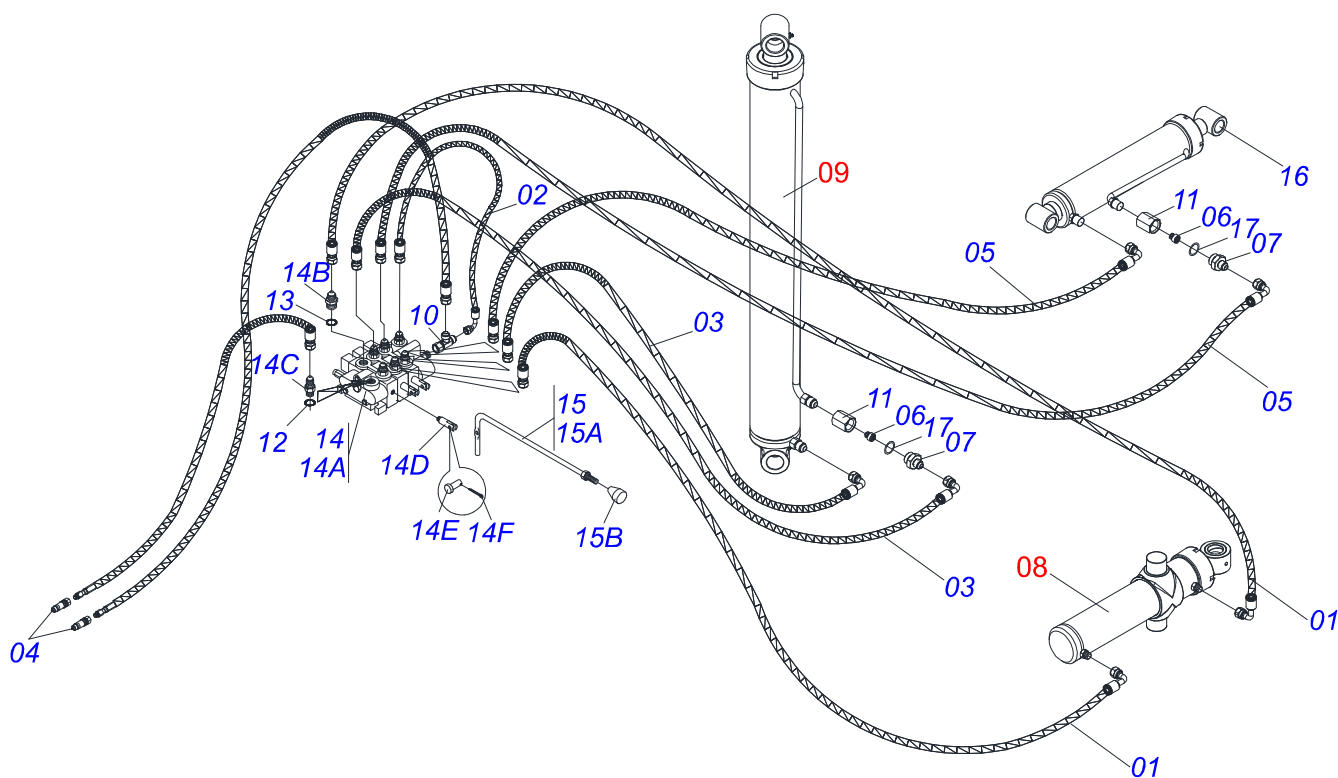


Item	Code	Description	See page	QT
001	1902012380	3P ADJUSTMENT BAR GUIDES		01
002	0511065014	ADJUSTMENT BAR		01
003	0503031035	HITCH PIN CLIP		01
004	0521010575	C0.9" X 3.3" COUPLING SHAFT		01

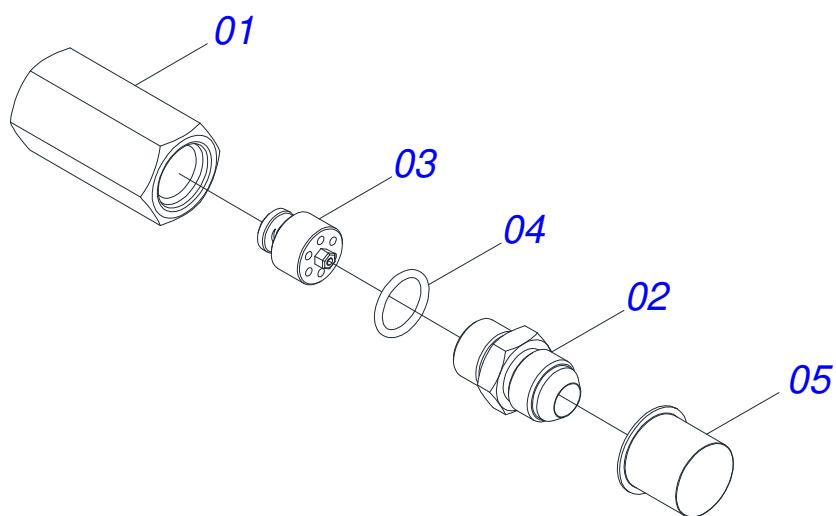




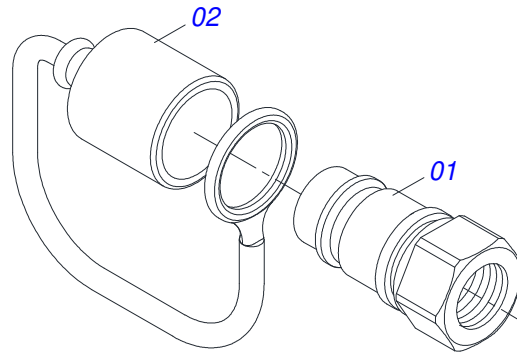
Item	Code	Description	See page	QT
01	0511054457	ASSY SAFETY VALVE	23	02
02	0521051836	ASSY RIGHT VALVE		01
02A	0503062637	RIGHT VALVE		01
02B	0581015287	3/8 BSPT X 7/8 UNF JIC X 45 NIPL		06
03	0521051825	ELECTRIC KIT		01
03A	0503062693	ELECTRIC KIT		01
03B	0503030804	ADHESIVE LABEL		01
03C	0503034533	ADHESIVE LABEL		01
04	0501082140	1/2 X 1800 SPRING PROTECTION HOSE		01
05	0501082141	3/8 X 2000 SPRING PROTECTION HOSE		01
06	0503818141	1/4" X 2" BOLT		03
07	0503010305	FLAT WASHER		03
08	0503010143	1/4" SPRING WASHER		03
09	0503010144	1/4" NUT		03
10	0511018012	HIDRAULIC ADAPTER		02
11	0501053834	MALE QUICK COUPLER	24	04
12	0521051790	HOSE KIT		01
12A	0501081237	TR-TM HOSE ASSY		02
12B	0501080482	3/8 X 2600 TC-TM HOSE		02
12C	0501080660	1/2" X 1450 TC-TC HOSE		02
12D	0501080072	1/2" X 63" TR-TM HOSE ASSY		02



Item	Code	Description	See page	QT
01	0501080055	3/8 X 1000 TR-TC HOSE		02
02	0501080285	1/2" X 16" TR-TC HOSE ASSY		01
03	0501080230	1/2 X 1450 TR-TC HOSE		02
04	0501080335	1/2" X 63" TC-TM HOSE ASSY		02
05	0501081237	TR-TM HOSE ASSY		02
06	0503016854	VALVE ASSY		02
07	0571014683	NIPPLE		02
08	0511048829	HYDRAULIC CYLINDER 44,45 X 85,7 X 205 X 322	12	01
09	0511048828	HYDRAULIC CYLINDER 50,8 X 101,6 X 1140 X 882	14	01
10	0503012341	T 7/8" ADAPOR GIRAT NUT		01
11	0571014684	FIXER ADAPTER		02
12	0503010045	O'RING		04
13	0503011030	2-014 N 3006-9B O'RING		02
14	0511049267	COMMAND TRIPLE ASSY 3/8"		01
14A	0503061965	TRIPLE CONTROL		01
14B	0501011460	7/8 NF REDUCTION NIPPLE		07
14C	0501010617	3/4" NIPPLE		02
14D	0503012763	LOWER LEVER		03
14E	0521010532	0.3" X 0.9" COUPLING SHAFT		03
14F	0503010140	1/8" X 3/4" COTTERPIN		03
15	0511047872	ASSY 3/8" COMMAND LEVER		03
15A	0521060682	CONTROL VALVE LEVER		03
15B	0503030878	LEVER CRANK		01
16	0511049187	HYDRAULIC CYLINDER	16	01
17	0503013467	2123 29,82X2,62 O'RING		02



Item	Code	Description	See page	QT
01	0581014053	1/2 BSP X 7/8 UNF JIC X 64 ADAPTER		01
02	0581014052	1/2 BSP X 7/8 UNF JIC X 43 NIPLE		01
03	0503016854	VALVE ASSY		01
04	0503010045	O'RING		01
05	0503030387	PLUG		01



Item	Code	Description	See page	QT
01	0503011627	MALE QUICK COUPLER AGR 1/2 NPT		01
02	0503011882	MALE QUICK COUPLER CAP		01





**MARCHESAN**

**Technical Publications | Elaboration and Revision**

JOSÉ DOMINGOS GASPARI

[www.marchesan.com.br](http://www.marchesan.com.br)

