

PARTS CATALOG

ROW CROP PLANTERS

PST4

Code: 0501090861



Series: S-1207

Rev.: 00

Date Rev.: MAIO/2008

ORIGINAL PARTS
TATU



PRODUCTS

Code	Description
0111150152	PST4 11/10 S-1207
0111150244	PST4 11/10 C/HDA DC20 CBR MH S-1207
0111150252	PST4 11/10 D/HDA MM S-1207
0111150046	PST4 11/10 H S-1207
0111150388	PST4 11/10 H MH S-1207
0111150261	PST4 11/10 H S/DC S-1207
0111150387	PST4 11/10 MH S-1207
0111150186	PST4 11/10 MM S-1207
0111150269	PST4 11/10 S/HST S/DC MM S-1207
0111150086	PST4 11/11 D S-1207
0111150225	PST4 11/11 D MH S-1207
0111150153	PST4 11/11 D/H S-1207
0111150294	PST4 11/11 D/H DC20 S-1207
0111150290	PST4 11/11 D/H MH CBRF ADB S-1207
0111150158	PST4 11/11 D/HDA S-1207
0111150226	PST4 11/11 D/HDA MH S-1207
0111150192	PST4 11/11 D/HDA MM S-1207
0111150047	PST4 11/11 H S-1207
0111150247	PST4 11/11 H DPLO S-1207
0111150080	PST4 11/11 H MH S-1207
0111150035	PST4 11/11 H MM S-1207
0111150013	PST4 11/11 LSE D/HDA MM S-1207
0111150205	PST4 11/11 MH S-1207
0111150187	PST4 11/11 MM S-1207
0111150396	PST4 11/11 MM CBR S-1207
0111150400	PST4 11/6 MM S-1207
0111150255	PST4 11/9 D/H MH S-1207
0111150185	PST4 11/9 D/H MM S-1207
0111150137	PST4 7/4 S-1207
0111150171	PST4 7/4 D/H MM S-1207
0111150172	PST4 7/5 MM S-1207

ATTENTION: **IMPORTANT**

MARCHESAN S/A RESERVES THE RIGHT AT ANY TIME TO MAKE IMPROVEMENTS IN THE DESIGN, MATERIAL OR SPECIFICATIONS OF MACHINERY, EQUIPMENT OR PARTS WITHOUT THEREBY BECOMING LIABLE TO MAKE SIMILAR CHANGES IN MACHINERY, EQUIPMENT OR PARTS PREVIOUSLY SOLD.

PRODUCTS

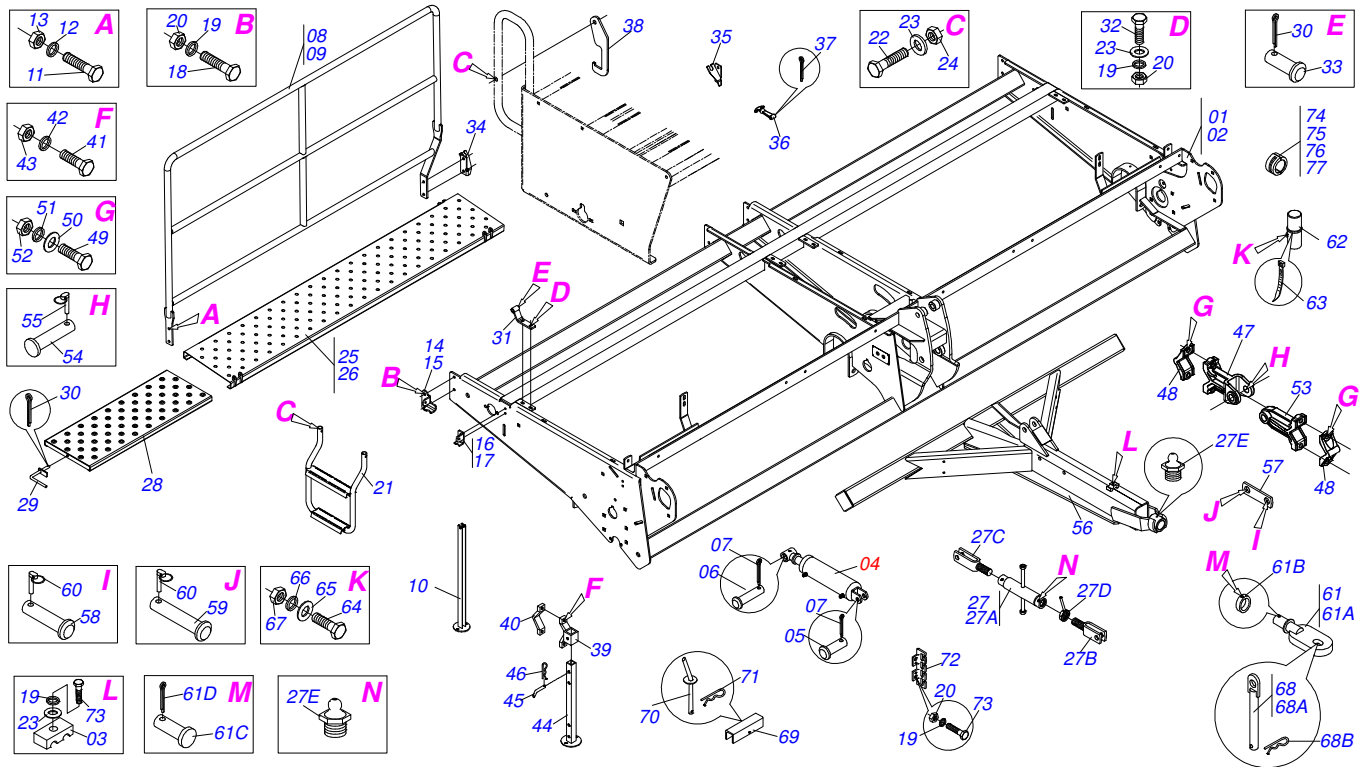
0111150173	PST4 7/6 MM	S-1207
0111150180	PST4 9/9 MM	S-1207
0111150412	PST4 9/9 RPA	S-1207
0111150293	PST4 9/9 S/HASTE/DDD/MARC LIN S1207	

ATTENTION: **IMPORTANT**

MARCHESAN S/A RESERVES THE RIGHT AT ANY TIME TO MAKE IMPROVEMENTS IN THE DESIGN, MATERIAL OR SPECIFICATIONS OF MACHINERY, EQUIPMENT OR PARTS WITHOUT THEREBY BECOMING LIABLE TO MAKE SIMILAR CHANGES IN MACHINERY, EQUIPMENT OR PARTS PREVIOUSLY SOLD.

INDEX

0909093032	PST4 FRAME	1
0511041188	2" X 5" X 19.5" X 7.5" HYDRAULIC CYLINDER	2
0909093034	7 9 HYDRAULIC CIRCUIT	3
0909093104	PST4 11 FRAME	4
0511041187	HYDRAULIC CYLINDER	5
0909093105	HYDRAULIC CIRCUIT	6
0909093033	07/09/11 TRANSMISSION	7
0909093035	GEAR BOX ASSY	8
0511046744	TRANSMISSION DRIVING ASSY	9
0909093036	SIDE TRANSMISSION DRIVING ASSY	10
0909093037	WHEELS ASSY	11
0501053110	WHEEL TRANSMISSION WITHOUT TIRE	12
0909093038	SUPPORT FERTILIZER BOX	13
0909093039	SEED/FERTILIZER ROW ASSY	14
0909093040	SEED ROW ASSY	15
0909090004	15" X 15" SEED UNAL DOUB-DISC ASSY	16
0909090134	SEED DISTRIBUTOR ASSY	17
0909093041	DEPTH CONTROL WHEEL ASSY	18
0909093042	"V" PRESS WHEEL	19
0909093043	FERTILIZER ROW ASSY	20
0909092926	BLADE DISC ASSY	21
0909093048	FERTILIZER ROW ASSY	22
0909093049	ROD RIGHT SCARIFIER SPINDLE ASSY	23
0909090102	FERTILIZER UNAL DOUB-DISC ASSY	24
0909093044	MECANIC ROW MARKER ASSEMBLY	25
0501050633	MARKER DISC ASSY LINE	26
0909093045	HYDRAULIC ROW MARKER ASSEMBLY	27
0909093046	ROW MARKER HYDRAULIC CIRCUIT	28
0511040203	1.5" X 2.5" X 19" X 9" HYDRAULIC CYLINDER	29
0501054649	SEQUENTIAL VALVE ASSY	30
0909093047	ROD FERTILIZER SCARIFIER SPINDLE	31
0909094592	HEX AXLE ASSEMBLY	32

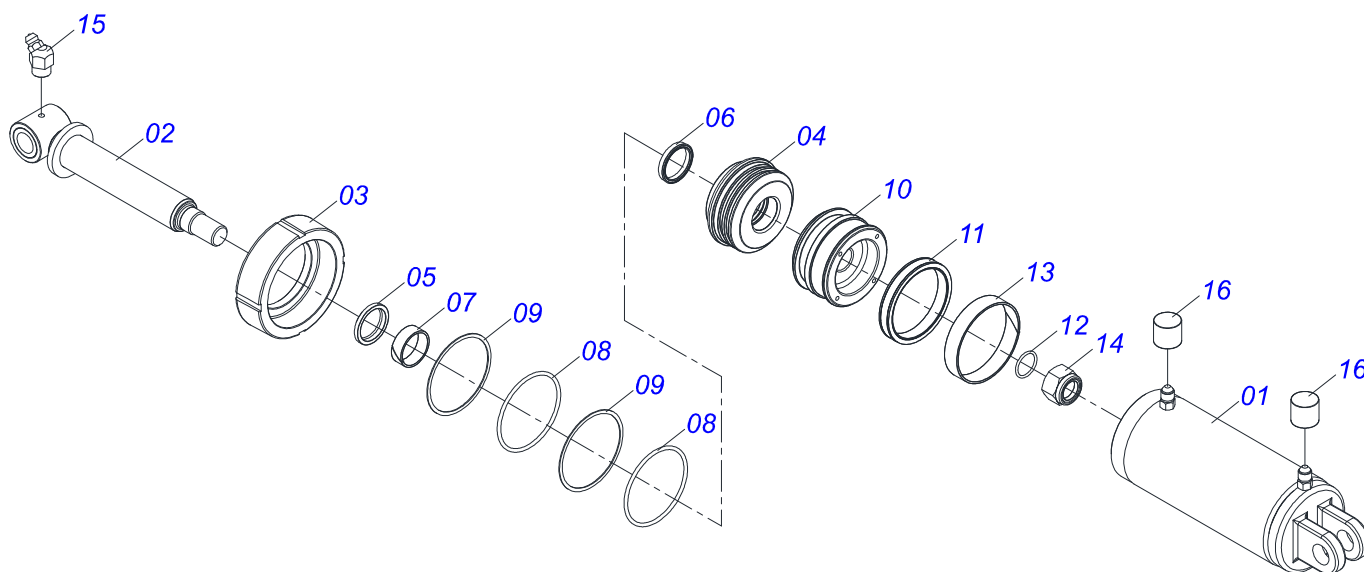


Item	Code	Description	See page	07	09
01	0511069615	PST4 7 S-1207 FRAME		01	00
02	0511069529	FRAME PST4 9 S-1207		00	01
03	0502010477	UPPER CLIP		01	01
04	0511041188	2" X 5" X 19.5" X 7.5" HYDRAULIC CYLINDER	2	01	01
05	0531019171	1.25" X 7" COUPLING SHAFT		01	01
06	0521012536	COUPLING SHAFT		01	01
07	0503010523	1/4" X 2" COTTERPIN		02	02
08	0511069635	HANDRAIL		02	00
09	0511069656	HANDRAIL COP FLEX 600 9		00	02
10	0501065677	STRUT		02	02
11	0503010920	1/2" X 1.1/2" BOLT		08	08
12	0503010019	1/2" SPRING WASHER		08	08
13	0503010060	1/2" NUT		08	08
14	0551019110	LADDER RIGHT FIXER		01	01
15	0551017438	LADDER RIGHT FIXER		01	01
16	0551019109	LADDER LEFT FIXER		01	01
17	0551017437	LADDER RIGHT FIXER		01	01
18	0503010237	3/8" X 1" BOLT		04	04
19	0503010025	3/8 SPRING WASHER		15	15
20	0503010026	3/8" NUT		14	14
21	0511069636	LADDER		02	02
22	0501010096	3/8" X 2" BOLT		06	06
23	0501010984	FLAT WASHER		23	23
24	0503013357	3/8" SELF-ADJUSTING NUT		06	06
25	0511069725	RIGHT PLATFORM		02	00
26	0511069665	PLATFORM RIGHT PST4 9		00	02
27	0501054258	DRAWBAR ESTABILIZER ASSY		01	01
27A	0501069529	653 TURNBUCKLE		01	01
27B	0511060558	RIGHT TURNBUCKLE		01	01
27C	0511060559	LEFT TURNBUCKLE		01	01
27D	0501061056	RH LOCKNUT WITH HANDLER		01	01

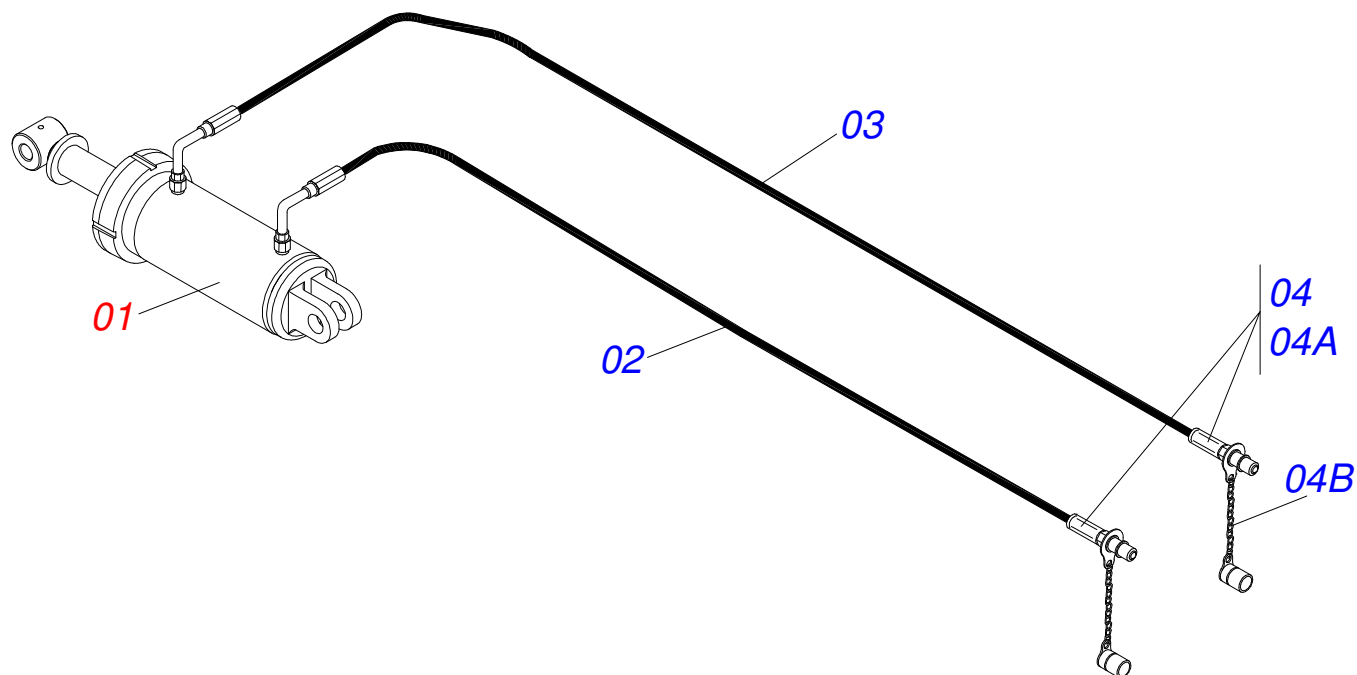


PST4
PST4 FRAME

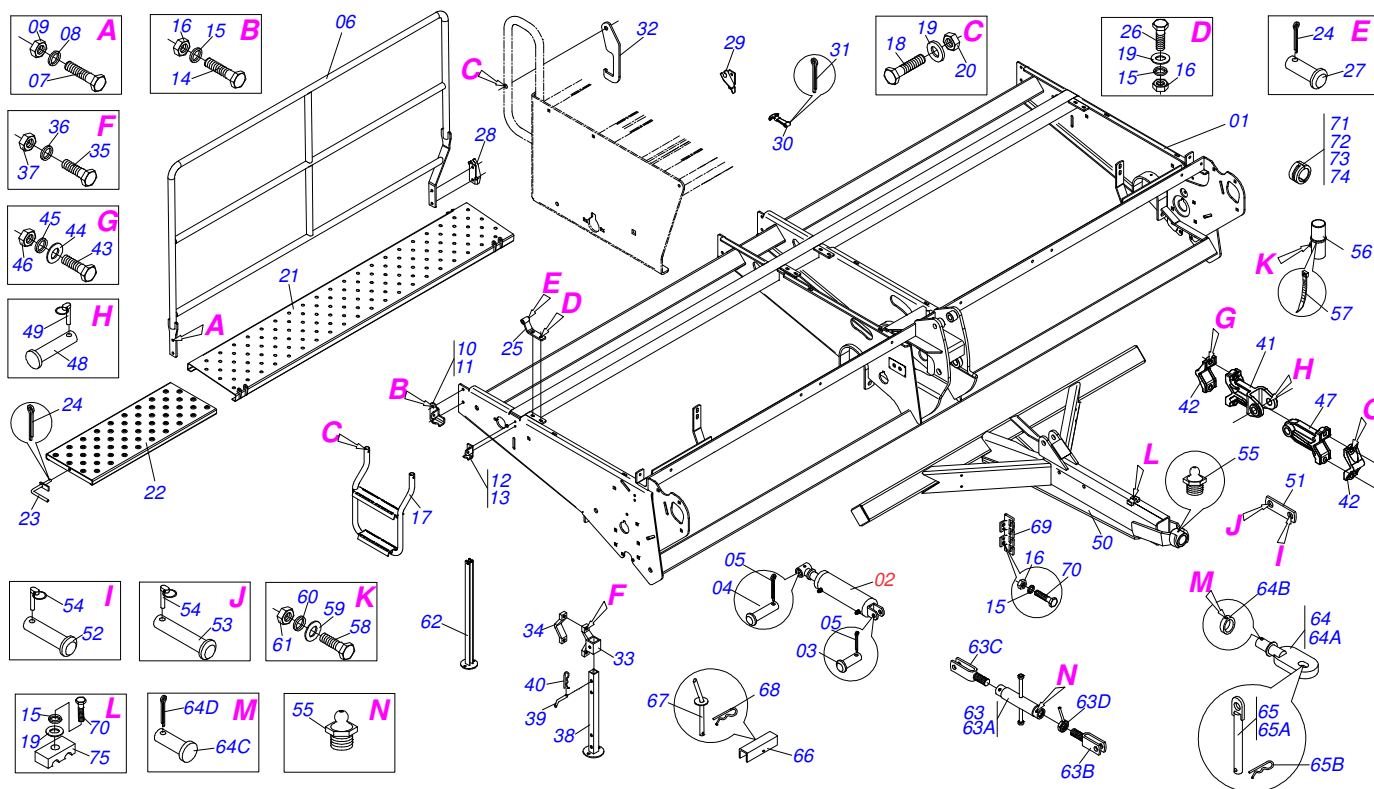
Item	Code	Description	See page	07	09
27E	0503010002	1800 GREASE FITTING		02	02
28	0511069666	PLATFORM EXTENSION		02	02
29	0511069664	PLATFORM EXTENSION LOCK		02	02
30	0503010257	1/8" X 1" COTTERPIN		06	06
31	0511069661	PLATFORM SUPPORT PIVOT		04	04
32	0503010849	3/8" X 1-1/2" BOLT		08	08
33	0521010549	COUPLING SHAFT		04	04
34	0551019127	PLATFORM RIGHT FIXER SUPPORT		01	01
35	0551019128	PLATFORM LEFT FIXER SUPPORT		01	01
36	0503011333	COVER FIXER		02	02
37	0503010274	5/32"X 2" COTTERPIN		02	02
38	0551019115	LOCK		02	02
39	0502011530	SUPPORT		02	02
40	0502010175	HITCH CLAMP		02	02
41	0501011543	5/8" X 4" BOLT		04	04
42	0503010027	SPRING WASHER		04	04
43	0503010013	5/8" NUT		04	04
44	0511061835	PLOUGH SUPPORT		02	02
45	0501011075	PIN		02	02
46	0503030012	HAIR PIN		02	02
47	0502012328	DRAWBAR SUPPORT FRONT FIXATION		02	02
48	0502012330	SUPPORT FIXER PIVOT		04	04
49	0503011084	3/4" X 5" BOLT		08	08
50	0501010322	FLAT WASHER		08	08
51	0503010023	SPRING WASHER		08	08
52	0503010014	3/4" NUT		08	08
53	0502012329	DRAWBAR FIXATION REAR SUPPORT		02	02
54	0531012336	1.4" X 5.35" COUPLING SHAFT		02	02
55	0503030119	LOCK PIN		02	02
56	0511064808	DRAWBAR		01	01
57	0521013867	DRAWBAR TRANSPORT LOCK		01	01
58	0521010578	COUPLING SHAFT		01	01
59	0521010588	0.9" X 7.0" COUPLING SHAFT		01	01
60	0503030085	LOCK PIN		02	02
61	0501051160	TRACTOR HITCH PIN		01	01
61A	0502040556	HITCH TURNER		01	01
61B	0521010681	BUSHING COUPLING BODY		01	01
61C	0521010639	COUPLING SHAFT		01	01
61D	0503010571	1/4" X 1.1/2 COTTERPIN		01	01
62	0503060100	HAND BOOK COMPARTMENT		01	01
63	0503010267	NYLON CLAMP		01	01
64	0503010365	NUT		01	01
65	0501010694	FLAT WASHER		01	01
66	0503010179	SPRING WASHER		01	01
67	0503010337	5/16" NUT		01	01
68	0501047881	COUPLING SHAFT		01	01
68A	0501068989	COUPLING SHAFT		01	01
68B	0503031035	HAIR PIN		01	01
69	0521013022	TRANSPORT LOCK		01	01
70	0501068994	0.3" X 3.1" LOCK PIN		01	01
71	0503030168	HAIR PIN		01	01
72	0541011767	HOSE FIXATION		01	01
73	0503010751	C3/8" X 1.1/4" HEX BOLT G.5		03	03
74	0501047895	ROD STOP		01	01
75	0501047896	1.18" ROD STOP		01	01
76	0501047897	1.38" ROD STOP		01	01
77	0501047898	1.57" ROD STOP		01	01
78	0909094592	HEX AXLE ASSEMBLY	32	01	01



Item	Code	Description	See page	QT
01	0511064055	5" X 15" CYLINDER CASE		01
02	0511064056	BUSHING 2" X 14" TURNBUCLE		01
03	0502010382	5" HEAD		01
04	0502012227	50,80 X 127 RING SUPPORT		01
05	0503010039	D-2000 SCRAPER RING		01
06	0503010991	PACKING 1870-2000-375-B		01
07	0503010952	W2-2250-500 PK RING G.E		01
08	0503010351	2-425 N 3006-9B O'RING		01
09	0503011062	8-425 BACK-UP RING		01
10	0502010963	2.0" X 5.0" PISTON		01
11	0503010552	PACKING 3750-4250-625-B		02
12	0503010345	2-218 N 3006-9B O'RING		01
13	0503010974	W2-5000-500 PK RING G.E		01
14	0503010817	1-1/4" SELF-ADJUSTING NUT		01
15	0503010003	1845 GREASE FITTING		01
16	0503030385	CYLINDER PLUG N-002		02

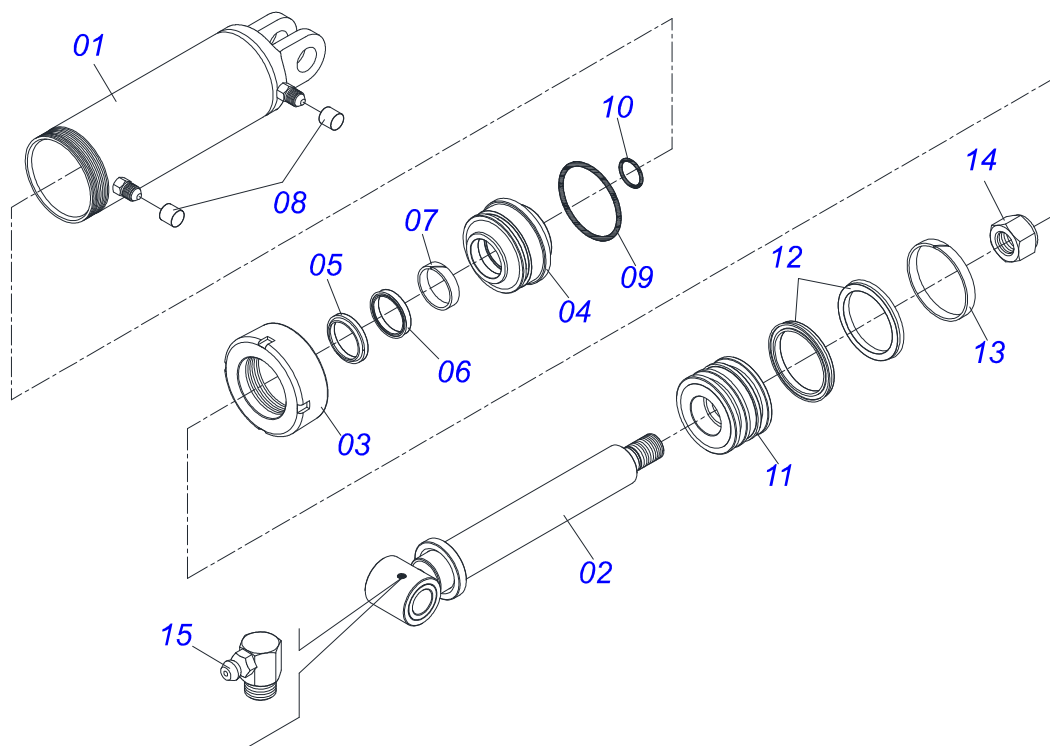


Item	Code	Description	See page	07	09
01	0511041188	2" X 5" X 19.5" X 7.5" HYDRAULIC CYLINDER	2	01	01 01
02	0501080422	3/8" X 157" TC-TM HOSE ASSY		01	01 01
03	0501080446	3/8" X 169" TC-TM HOSE ASSY		01	01 01
04	0501053834	MALE QUICK COUPLING AGRICULTURAL WITH COVER - 1/2 NPT		02	02 02
04A	0503011627	QUICK CONNECTION (MALE) AGR 1/2 NPT		02	02 02
04B	0503011882	QUICK CONNECTION COVER		02	02 02

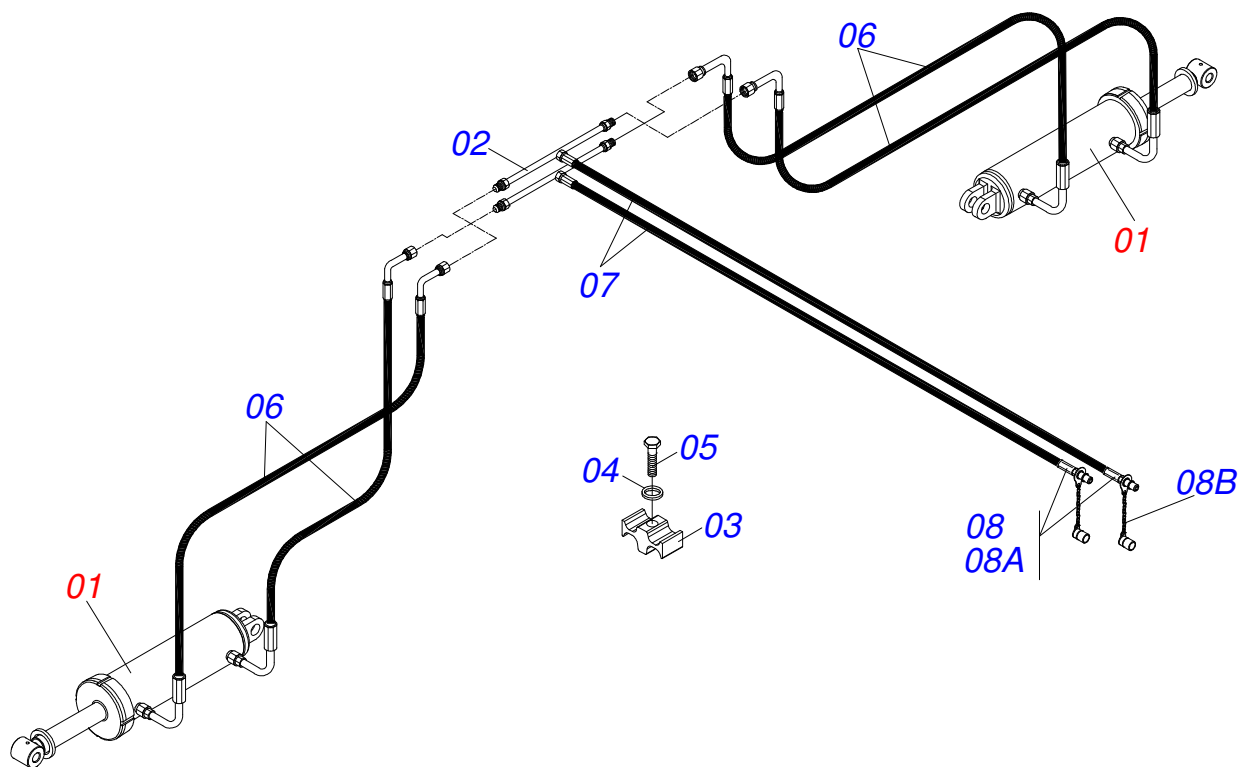


Item	Code	Description	See page	QT
01	0511069616	PST4 SUPREMA FRAME		01
02	0511041187	HYDRAULIC CYLINDER	5	02
03	0521012538	1.2" X 3.5" COUPLING SHAFT		02
04	0521012536	COUPLING SHAFT		02
05	0503010523	1/4" X 2" COTTERPIN		04
06	0511069660	HANDRAIL COP FLEX 600 11		02
07	0503010920	1/2" X 1.1/2" BOLT		08
08	0503010019	1/2" SPRING WASHER		08
09	0503010060	1/2" NUT		08
10	0551019110	LADDER RIGHT FIXER		01
11	0551017438	LADDER RIGHT FIXER		01
12	0551019109	LADDER LEFT FIXER		01
13	0551017437	LADDER RIGHT FIXER		01
14	0503010237	3/8" X 1" BOLT		04
15	0503010025	3/8 SPRING WASHER		15
16	0503010026	3/8" NUT		14
17	0511069636	LADDER		02
18	0501010096	3/8" X 2" BOLT		06
19	0501010984	FLAT WASHER		23
20	0503013357	3/8" SELF-ADJUSTING NUT		06
21	0511069718	PLATFORM RIGHT PST4 11		02
22	0511069666	PLATFORM EXTENSION		02
23	0511069664	PLATFORM EXTENSION LOCK		02
24	0503010257	1/8" X 1" COTTERPIN		06
25	0511069661	PLATFORM SUPPORT PIVOT		04
26	0503010849	3/8" X 1-1/2" BOLT		08
27	0521010549	COUPLING SHAFT		04
28	0551019127	PLATFORM RIGHT FIXER SUPPORT		01
29	0551019128	PLATFORM LEFT FIXER SUPPORT		01
30	0503011333	COVER FIXER		02
31	0503010274	5/32" X 2" COTTERPIN		02

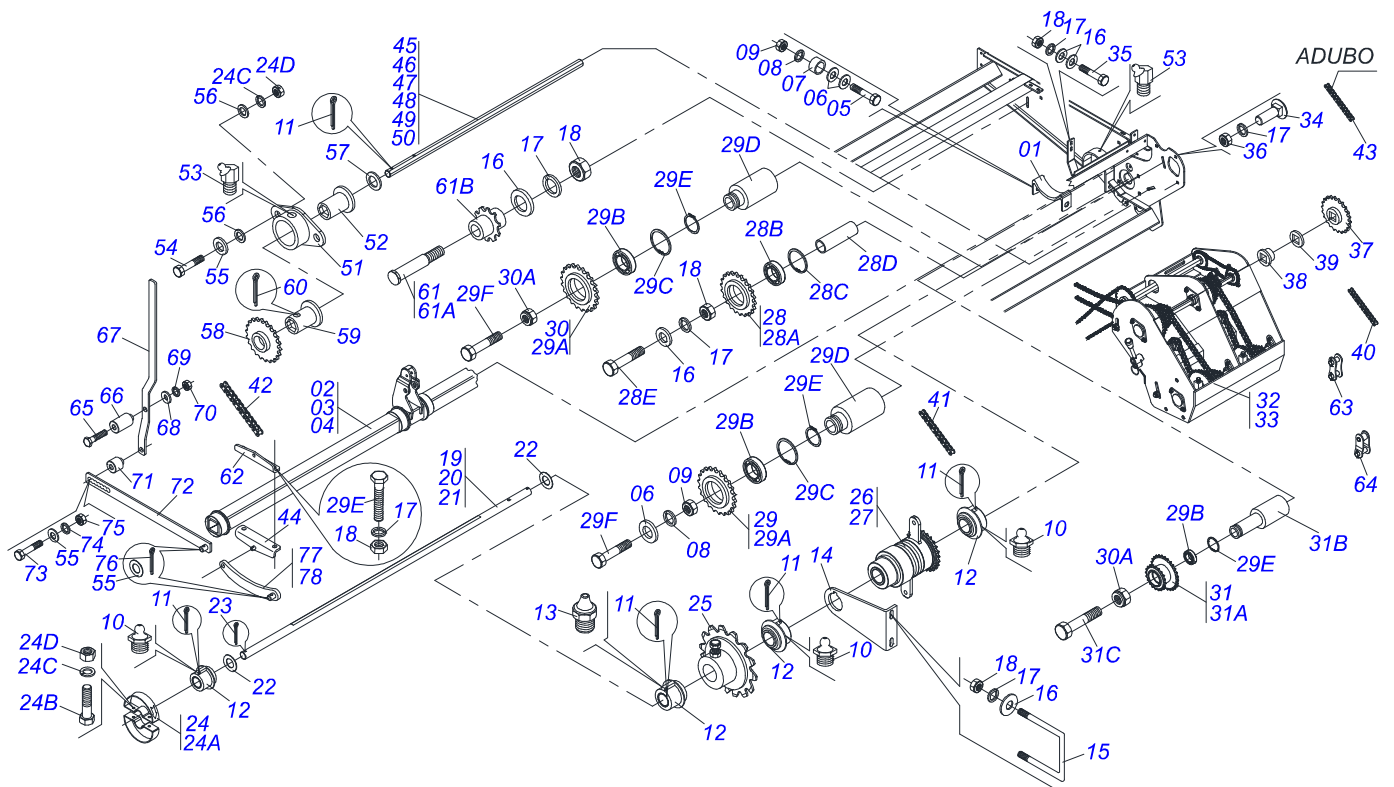
Item	Code	Description	See page	QT
32	0551019115	LOCK		02
33	0502011530	SUPPORT		02
34	0502010175	HITCH CLAMP		02
35	0501011543	5/8" X 4" BOLT		04
36	0503010027	SPRING WASHER		04
37	0503010013	5/8" NUT		04
38	0511061835	PLOUGH SUPPORT		02
39	0501011075	PIN		02
40	0503030012	HAIR PIN		02
41	0502012328	DRAWBAR SUPPORT FRONT FIXATION		04
42	0502012330	SUPPORT FIXER PIVOT		08
43	0503011084	3/4" X 5" BOLT		16
44	0501010322	FLAT WASHER		16
45	0503010023	SPRING WASHER		16
46	0503010014	3/4" NUT		16
47	0502012329	DRAWBAR FIXATION REAR SUPPORT		04
48	0531012336	1.4" X 5.35" COUPLING SHAFT		04
49	0503010119	7/16" X 1-1/4" BOLT		04
50	0511064808	DRAWBAR		01
51	0521013867	DRAWBAR TRANSPORT LOCK		01
52	0521010578	COUPLING SHAFT		01
53	0521010588	0.9" X 7.0" COUPLING SHAFT		01
54	0503030085	LOCK PIN		02
55	0503010002	1800 GREASE FITTING		01
56	0503060100	HAND BOOK COMPARTMENT		01
57	0503010267	NYLON CLAMP		01
58	0503010365	NUT		01
59	0501010694	FLAT WASHER		01
60	0503010179	SPRING WASHER		01
61	0503010337	5/16" NUT		01
62	0501065677	STRUT		02
63	0501054258	DRAWBAR ESTABILIZER ASSY		01
63A	0501069529	653 TURNBUCKLE		01
63B	0511060558	RIGHT TURNBUCKLE		01
63C	0511060559	LEFT TURNBUCKLE		01
63D	0501061056	RH LOCKNUT WITH HANDLER		01
63E	0503010002	1800 GREASE FITTING		02
64	0501051160	TRACTOR HITCH PIN		01
64A	0502040556	HITCH TURNER		01
64B	0521010681	BUSHING COUPLING BODY		01
64C	0521010639	COUPLING SHAFT		01
64D	0503010571	1/4" X 1.1/2 COTTERPIN		01
65	0501047881	COUPLING SHAFT		01
65A	0501068989	COUPLING SHAFT		01
65B	0503031035	HAIR PIN		01
66	0521013022	TRANSPORT LOCK		02
67	0501068994	0.3" X 3.1" LOCK PIN		02
68	0503030168	HAIR PIN		02
69	0541011767	HOSE FIXATION		01
70	0503010751	C3/8" X 1.1/4" HEX BOLT G.5		03
71	0501047895	ROD STOP		01
72	0501047896	1.18" ROD STOP		01
73	0501047897	1.38" ROD STOP		01
74	0501047898	1.57" ROD STOP		01
75	0502010477	UPPER CLIP		01



Item	Code	Description	See page	QT
01	0511064052	4" X 12.1" CYLINDER CASE		01
02	0511064053	SLEEVE 2" X 14" TURNBUCLE		01
03	0502010017	4" HEAD		01
04	0502010778	2" X 4.2" RING SUPPORT		01
05	0503010039	D-2000 SCRAPER RING		01
06	0503010991	PACKING 1870-2000-375-B		01
07	0503010952	W2-2250-500 PK RING G.E		01
08	0503030385	CYLINDER PLUG N-002		01
09	0503010338	2-342 N 3006-9B O'RING		01
10	0503010345	2-218 N 3006-9B O'RING		01
11	0502010992	2.0" X 4.0" PISTON		01
12	0503010043	PACKING 3750-3250		02
13	0503010994	W2-4000-500 PK RING G.E		01
14	0503010817	1-1/4" SELF-ADJUSTING NUT		01
15	0503010003	1845 GREASE FITTING		01



Item	Code	Description	See page
01	0511058406	HYDRAULIC CYLINDER	02
02	0511063404	"T" OIL CONDUCTOR	02
03	0502012702	BODY SUPPORT CLAMP	06
04	0503010180	7/16" SPRING WASHER	04
05	0503012555	7/16" X 2" BOLT	06
06	0501080449	3/8" X 1500 TC-TC HOSE	04
07	0501080361	3/8" X 157" TR-TM HOSE ASSY	02
08	0501053834	MALE QUICK COUPLING AGRICULTURAL WITH COVER - 1/2 NPT	02
08A	0503011627	QUICK CONNECTION (MALE) AGR 1/2 NPT	02
08B	0503011882	QUICK CONNECTION COVER	02



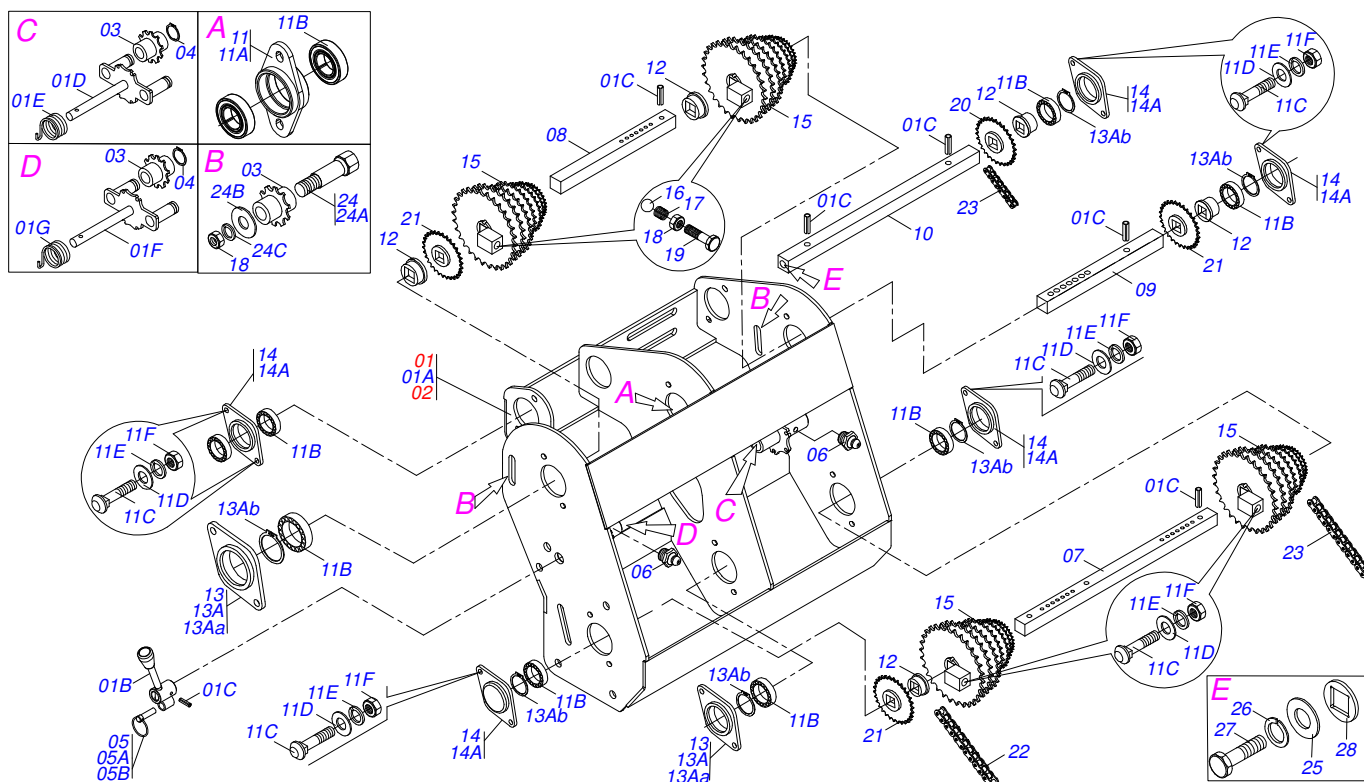
Item	Code	Description	See page	07	09	11
01	0521013199	LOWER BEARING SEMI		04	04	06
02	0511069724	CARRYING-WHEELS PIVOT SHAFT		01	00	00
03	0511069682	CARRYING-WHEELS PIVOT SHAFT		00	01	01
04	0511069717	CARRYING-WHEELS PIVOT SHAFT		00	00	01
05	0503010899	5/8" X 2-1/4" BOLT		08	08	12
06	0501012140	FLAT WASHER		18	18	26
07	0531013922	0.6" X 0.8" X 1" SLEEVE		08	08	12
08	0503011445	SPRING WASHER		10	10	14
09	0503010013	5/8" NUT		10	10	14
10	0503010002	1800 GREASE FITTING		04	06	04
11	0503010257	1/8" X 1" COTTERPIN		06	08	08
12	0501110639	AGRIC BEARING		02	02	02
13	0503010691	1/4" GREASE FITTING		02	02	02
14	0551019114	MOTOR BEARING AXLE SUPPORT		02	04	04
15	0521014021	1/2" X 4.5" X 5.4" FASTENER		02	04	04
16	0511017302	FLAT WASHER		12	20	20
17	0503010019	1/2" SPRING WASHER		22	26	26
18	0503010060	1/2" NUT		16	22	22
19	0561016882	1535 MOTOR SHAFT		02	00	00
20	0561016881	MOTOR SHAFT		00	02	00
21	0561016876	MOTOR SHAFT		00	00	02
22	0501018466	FLAT WASHER		04	04	04
23	0503010523	1/4" X 2" COTTERPIN		02	02	02
24	0501052560	AXLE MOTOR SLOW-MOVING ASSY		02	02	02
24A	0503031825	AXLE MOTOR SLOW-MOVING		02	02	02
24B	0503010240	5/16" X 3/4" BOLT		02	02	02
24C	0503010179	SPRING WASHER		10	10	10
24D	0503010337	5/16" NUT		10	10	10
25	0511051434	TRANSMISSION DRIVING ASSY		02	04	04
26	0511047069	SIDE TRANSMISSION DRIVING		01	01	01
27	0511047070	LH SIDE TRANSMISSION DRIVING		01	01	01



Item	Code	Description	See page	07	09	11
28	0501058235	STRETCHER CURRENT TOP SEED 17Z		02	02	02
28A	0502012367	17Z X P 1/2" GEAR INTERM		02	02	02
28B	0503012882	BALL BEARING		02	02	02
28C	0503011945	503050 CLAMPING RING (FOR AXLE)		02	02	02
28D	0551019173	CHAIN SLEEVE TENSIONER		02	02	02
28E	0503011411	1/2" X 5-1/2" BOLT		06	06	06
29	0501058234	LOWER CHAIN TENSIONER		02	02	02
29A	0511062169	21Z P 1/2" GEAR		04	04	04
29B	0503011410	ROLLER BEARING		06	06	06
29C	0503011105	SEAL RING		04	04	04
29D	0551019171	CHAIN TIGHTENER AXLE		04	04	04
29E	0503010406	501025 CLAMPING RING (FOR AXLE)		06	06	06
29F	0501010163	5/8" X 4-1/2" BOLT		04	04	04
30	0501058236	BEARING WITH 21Z GEAR		02	02	02
30A	0503012412	HEX SELF ADJUSTING NUT 5/8 UNC S		04	04	04
31	0501058237	16Z GEAR BEARING		02	02	02
31A	0511069680	20Z X 28Z DOBLE GEAR		02	02	02
31B	0551019174	DOBLE GEAR AXLE		02	02	02
31C	0503010967	5/8" X 5.1/2" BOLT		02	02	02
32	0511047058	RIGHT GEAR BOX ASSY		01	01	01
33	0511047059	LH GEAR BOX ASSY		01	01	01
34	0501010243	1/2" X 1-1/2" BOLT		06	06	06
35	0503010920	1/2" X 1.1/2" BOLT		04	04	04
36	0503010020	1/2"NUT		06	06	06
37	0511063105	34Z P 1/2" GEAR SQUARE HOLE 3/4"		02	02	02
38	0503030303	SUPPORT WASHER		04	04	04
39	0501010637	FLAT WASHER		08	08	08
40	0503012522	40-1 CHAIN X 85 LINK + MENDING		02	02	02
41	0503012707	40-1 CHAIN X 96 LINK + REDUCTION		02	02	02
42	0503012718	40-1 CHAIN X 111 LINK + MENDING		02	02	02
43	0503016111	40-1 CHAIN X 109 LINK + MENDING		02	02	02
44	0511069679	RH UPPER LEVER		02	02	02
45	0521013432	5/8" X 59" AXLE HEX		01	00	00
46	0521013428	HEX AXLE		01	00	00
47	0521013433	5/8" X 75" AXLE HEX		00	01	00
48	0521013429	LEFT 5/8" X 50.4" AXLE HEX		00	01	00
49	0521013434	5/8" X 90" HEX AXLE		00	00	01
50	0521013430	5/8" X 101.57" HEX AXLE		00	00	01
51	0501110037	5/8" HEX AXLE LEFT BEARING ASSY		02	02	02
52	0502040723	5/8 HEX AXLE BEARING SLEEVE		02	02	03
53	0503010003	1845 GREASE FITTING		06	06	06
54	0503010365	NUT		04	04	04
55	0501010984	FLAT WASHER		14	14	14
56	0501010694	FLAT WASHER		08	08	08
57	0511017305	FLAT WASHER		04	04	04
58	0511065562	20Z GEAR		02	02	02
59	0502011299	BUSHING GEAR		02	02	02
60	0503010010	1/4" X 2.1/2" COTTERPIN		02	02	02
61	0501055112	MICRO GRANULATED CHAIN TENSIONER		02	02	02
61A	0531019479	AXLE CHAIN GEAR		02	02	02
61B	0503031805	11Z 1/2" GEAR		02	02	02
62	0551019159	LEVER FIXER BODY		02	02	02
63	0503011751	REDUCTION		06	06	06
64	0503011750	AMENDMENT WITH LOCK		06	06	06
65	0503010547	1/2" X 4" BOLT		02	02	02
66	0551019168	SLEEVE		02	02	02
67	0551019160	LEVER		02	02	02
68	0511017302	FLAT WASHER		02	02	02
69	0503010019	1/2" SPRING WASHER		02	02	02



Item	Code	Description	See page	07	09	11
70	0503010060	1/2" NUT		02	02	02
71	0551019167	SLEEVE UNION		02	02	02
72	0511069676	INNER LEVER		02	02	02
73	0503011268	3/8" X 2-1/2" BOLT		02	02	02
74	0503010025	3/8 SPRING WASHER		02	02	02
75	0503010026	3/8" NUT		02	02	02
76	0503010140	1/8" X 3/4" COTTERPIN		06	06	06
77	0511069677	RH LOWER LEVER		01	01	01
78	0511069678	LH LOWER LEVER		01	01	01



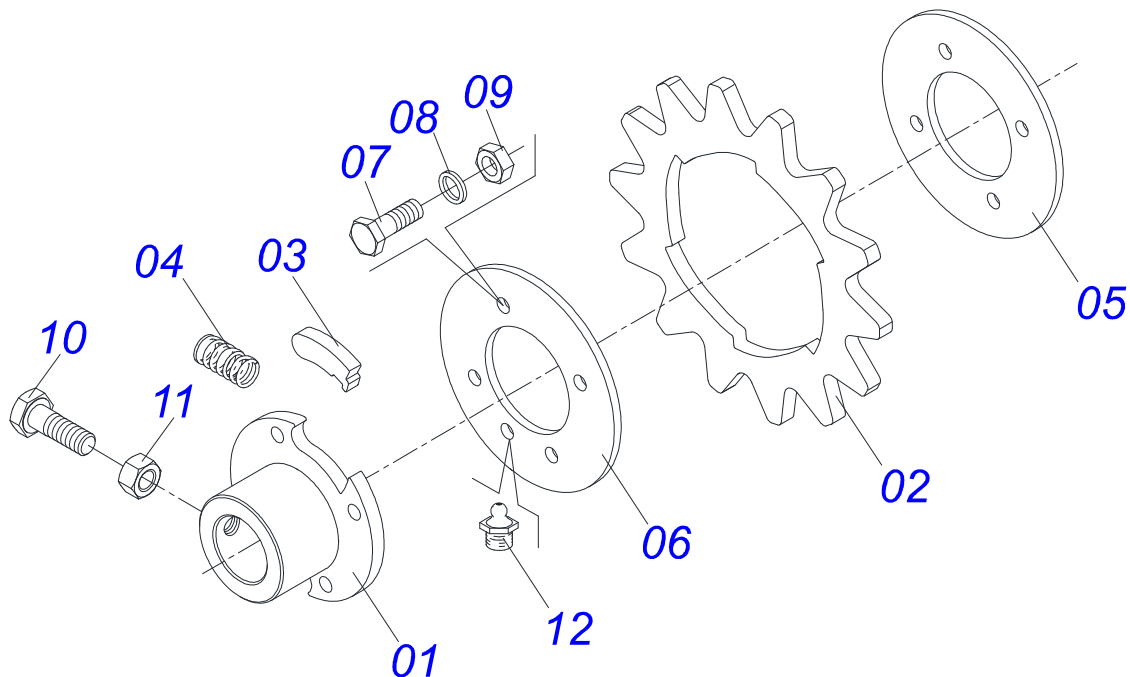
Item	Code	Description	See page	DIR ESQ
00	0511047058	RIGHT GEAR BOX ASSY	01	00
00A	0511047059	LH GEAR BOX ASSY	00	01
01	0501058212	SEMI MOUNTED RIGHT CHANGE	01	00
01A	0511069565	LEFT GEAR BOX	01	00
01B	0502011758	REAR TENSIONER LEVER	02	02
01C	0503010292	0.2" X 1.6" SPRING PIN	07	07
01D	0511061794	CHAIN TENSIONER	01	01
01E	0503031367	SPRING	01	01
01F	0511061795	CHAIN TENSIONER	01	01
01G	0503031367	SPRING	01	01
02	0501058213	LH GEAR BOX	00	01
03	0503031805	11Z 1/2" GEAR	06	06
04	0503010302	501019 SEAL RING	04	04
05	0501048790	AXLE WITH LINK ASSY	02	02
05A	0521012476	GEAR BOX LEVER AXLE	02	02
05B	0503031369	LINK	02	02
06	0503010002	1800 GREASE FITTING	02	02
07	0551018209	DRIVING AXLE	01	01
08	0521018259	DRIVEN AXLE	01	01
09	0551018210	DRIVEN AXLE	01	01
10	0551018211	INTERM SHAFT	01	01
11	0501056447	BEARING DOUBLE CENTRAL ASSY EXCHANGE	01	01
11A	0502011978	HOUSING CENTRAL BEARING	01	01
11B	0503013462	BEARING WITH BALL BEARING	07	07
11C	0503011953	5/16" X 1" BOLT	16	16
11D	0501010694	FLAT WASHER	16	16
11E	0503010179	SPRING WASHER	16	16
11F	0503010337	5/16" NUT	16	16
12	0503030303	SUPPORT WASHER	05	05
13	0501056443	BEARING ASSY GEAR BOX	02	02
13A	0501056444	BEARING WITH BALL BEARING	02	02



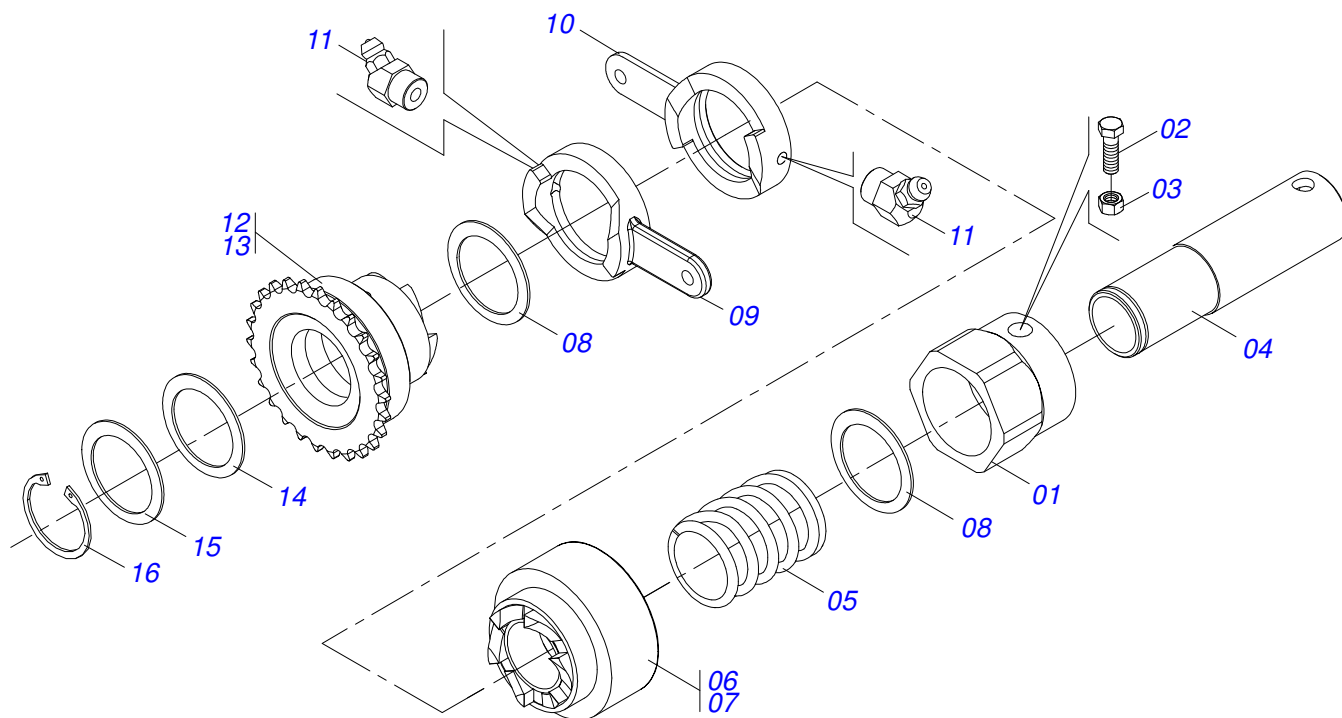
PST4
GEAR BOX ASSY

Page 8
0909093035

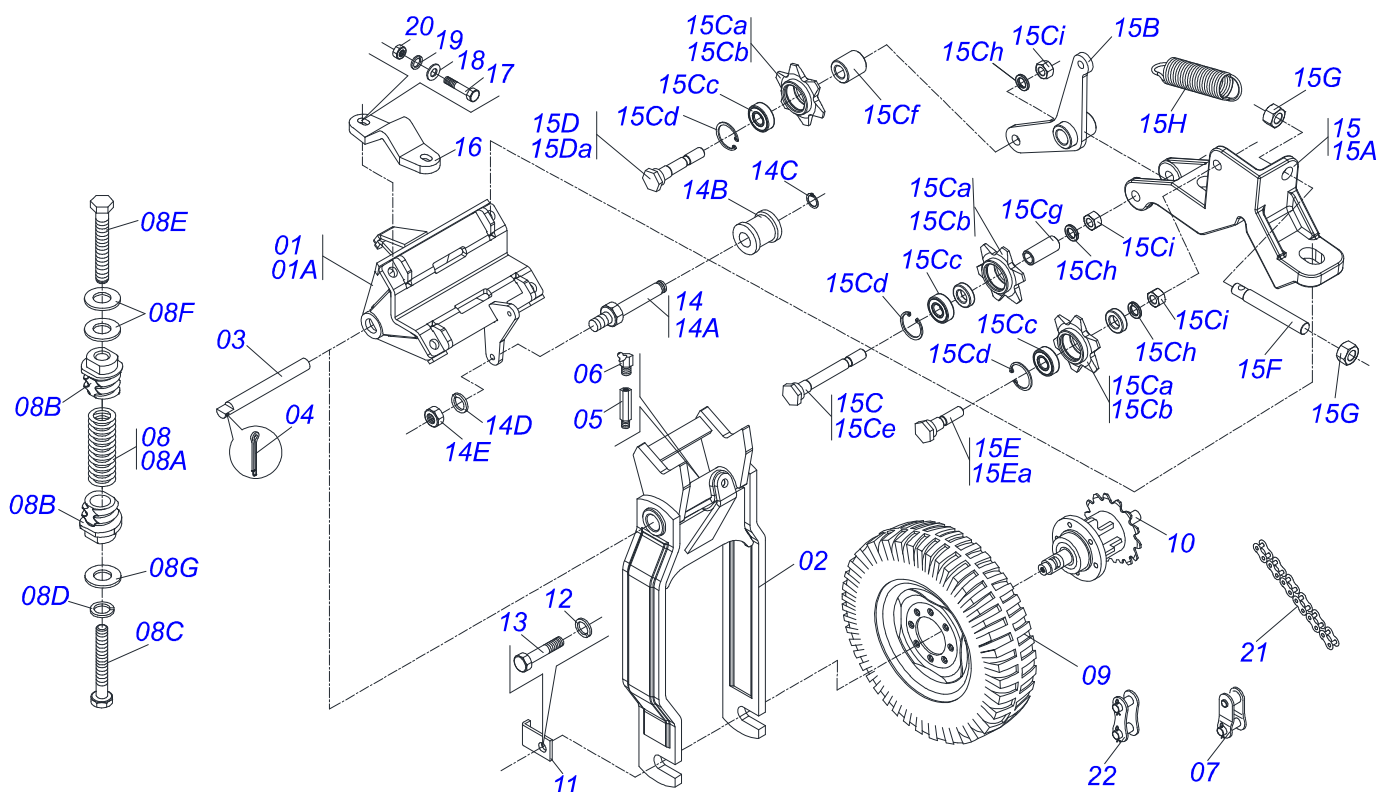
Item	Code	Description	See page	DIR ESQ
13Aa	0502011697	BEARING OF THE GEAR BOX		02 02
13Ab	0503011105	SEAL RING		07 07
14	0501056271	BEARING CLOSED		05 05
14A	0502012310	GEAR BOX CLOSE BEARING		05 05
15	0511060396	DRIVE/DRIVEN AXLE CONE		04 04
16	0503012389	1/2 BALL		04 04
17	0503031512	0.4" X 0.1" X 2" X 0.6" SPRING		04 04
18	0503010060	1/2" NUT		06 06
19	0503010395	1/2" X 1-1/4" BOLT		04 04
20	0511061830	17Z P 0.5" GEAR SQUARE HOL		02 02
21	0511067501	26Z GEAR		01 01
22	0503012204	40-1 CHAIN X 82 LINK + RED		02 02
23	0503012713	40-1 CHAIN X 45 LINK + MEN		01 01
24	0501054655	CHAIN TENSIONER ASSY		02 02
24A	0531019479	AXLE CHAIN GEAR		02 02
24B	0511017302	FLAT WASHER		02 02
24C	0503010019	1/2" SPRING WASHER		02 02
25	0501010984	FLAT WASHER		01 01
26	0503010025	3/8 SPRING WASHER		01 01
27	0503010256	3/8" X 3/4" BOLT		01 01
28	0521018630	1.4" X SQUARE 0.8" WASHER		01 01



Item	Code	Description	See page	QT
01	0511069659	RATCHET BODY		01
02	0551019044	14Z RATCHET GEAR		01
03	0551019100	LOCK RATCHET		02
04	0503030051	0.2" X 1" X 0.1" COMPRESSION SPRING		02
05	0551019098	RATCHET SIDE SUPPORT		01
06	0551019099	RATCHET SIDE SUPPORT		01
07	0503010365	NUT		04
08	0503010179	SPRING WASHER		04
09	0503010337	5/16" NUT		04
10	0503010920	1/2" X 1.1/2" BOLT		01
11	0503010060	1/2" NUT		01
12	0503010002	1800 GREASE FITTING		01

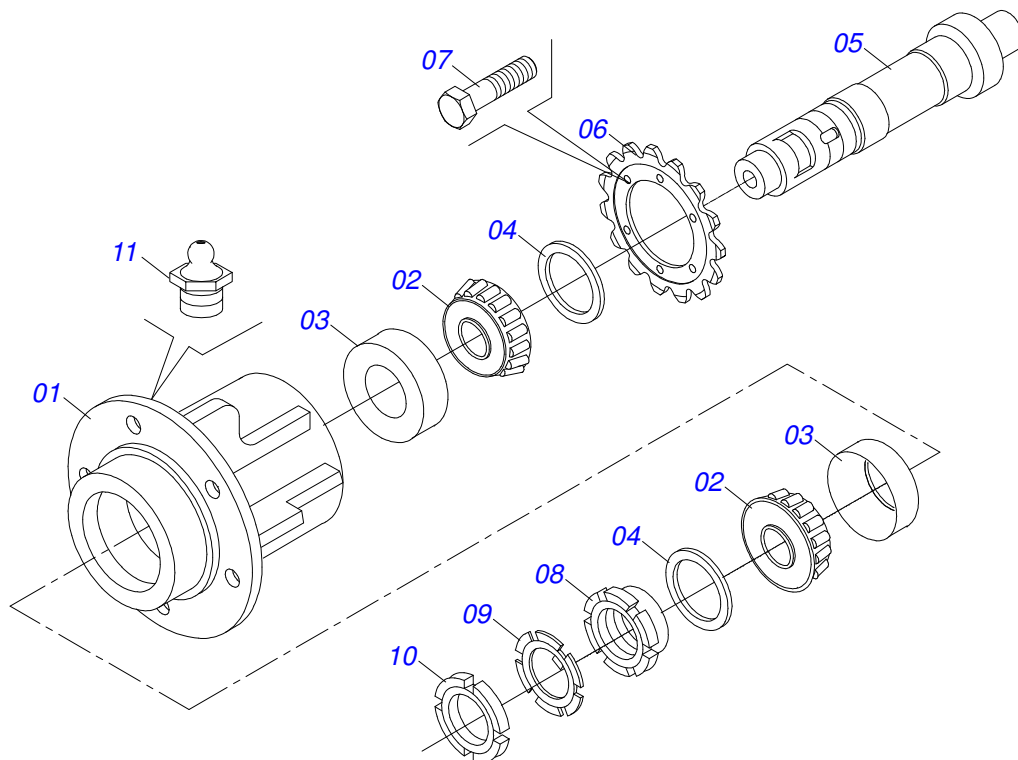


Item	Code	Description	See page	DR	ES
00	0511047069	SIDE TRANSMISSION DRIVING		01	00
00A	0511047070	LH SIDE TRANSMISSION DRIVING		00	01
01	0502011996	SLLEVE FIXER		01	01
02	0503030678	1/2"X1-1/2"BOLT		01	01
03	0503010060	1/2" NUT		01	01
04	0521017590	GUIDE AXLE		01	01
05	0503030553	2.3"X 2.5"X 0.2"COMPRESSION SPRING		01	01
06	0502012009	DRIVING AXLE RIGHT FOLLOWER		01	00
07	0502011995	LH DRIVING AXLE FOLLOWER		00	01
08	0501019734	FLAT WASHER		02	02
09	0502010710	RIGHT CAM, SMALLER		02	00
10	0502010720	RIGHT CAM, SMALLER		00	02
11	0503010003	1845 GREASE FITTING		02	02
12	0502012539	26Z P12,7 GEAR		01	00
13	0502012540	26Z P12,7 GEAR		00	01
14	0501019735	FLAT WASHER		01	01
15	0521017593	FLAT WASHER		01	01
16	0503010542	501045 CLAMPING RING (FOR AXLE)		01	01

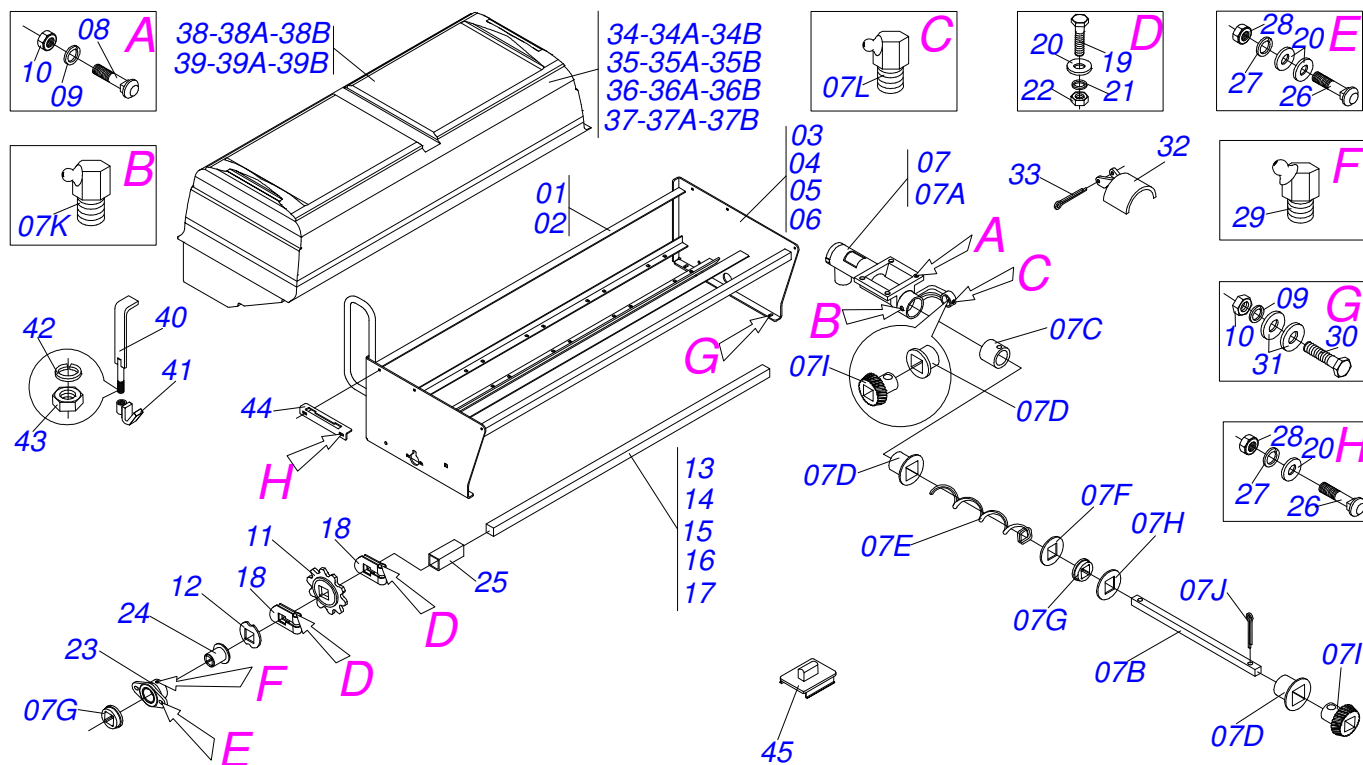


Item	Code	Description	See page	QT
01	0501059908	CARRYING WHEEL SUPPORT		01
01A	0521061567	CARRYING WHEEL SPRING TRACTION SUPPORT		01
02	0521061565	WHEEL SUPPORT ARM		01
03	0531016887	CARRYING WHEEL AXLE ARM		01
04	0503010523	1/4" X 2" COTTERPIN		01
05	0501019757	EXTENSION GREASE FITTING		01
06	0503010003	1845 GREASE FITTING		01
07	0503010951	REDUCTION		04
08	0511050681	TRACTION SPRING		01
08A	0503031681	2.1" X 7.78" EXTENSION SPRING		01
08B	0561016062	SPRING HITCH		02
08C	0501010100	5/8 UNC X 2 C S G.5 BOLT		01
08D	0503010027	SPRING WASHER		01
08E	0503013030	5/8" X 3.1/4" BOLT		01
08F	0551017715	FLAT WASHER		02
08G	0501012140	FLAT WASHER		01
09	0511052772	650X16 WHEEL AND TIRE ASSY		01
10	0511052769	WHEEL TRANSMISSION WITHOUT TIRE		01
11	0521012190	AXLE LOCK		02
12	0503010027	SPRING WASHER		02
13	0503011167	M16 X 2 X 30 BOLT		02
14	0501058241	TENSIONER CHAIN SUPPORT		01
14A	0541011713	TENSIONER CHAIN LOWER AXLE		01
14B	0541016454	PULLEY		01
14C	0503010302	501019 SEAL RING		01
14D	0503010019	1/2" SPRING WASHER		01
14E	0503010060	1/2" NUT		01
15	0501058240	WHELL FASTENER WITH STRETCHER		01
15A	0502012416	CARRYING-WHEELS SUPPORT FIXER		01
15B	0511069417	REAR TENSIONER		01
15C	0501058243	STRETCHER INTERMEDIATE RODE CURRENT		01

Item	Code	Description	See page	QT
15Ca	0501058239	CHAIN TENSIONER BEARING		03
15Cb	0502012018	CHAIN TIGHTENER BEARING		03
15Cc	0503012882	BALL BEARING		03
15Cd	0503011945	503050 CLAMPING RING (FOR AXLE)		03
15Ce	0551018245	CHAIN TENSIONER AXLE		01
15Cf	0551018241	SLEEVE 16,30 X 30 X 8		03
15Cg	0551018239	SLEEVE 19 X 13,50 X 45		01
15Ch	0503010019	1/2" SPRING WASHER		03
15Ci	0503010060	1/2" NUT		03
15D	0501058244	STRETCHER FIXED CURRENT		01
15Da	0551018252	CHAIN TIGHTENER AXLE		01
15E	0501058242	MOVIL CHAIN TENSIONER		01
15Ea	0551018244	CHAIN UPPER AXLE		01
15F	0501013491	5/8" TENSIONER SPRING		01
15G	0503010060	1/2" NUT		02
15H	0503031103	0.9" X 4.1" X 0.1" TRACTION SPRING		01
16	0502011308	WHELL FASTENER		01
17	0503011118	7/8" X 5-1/2" BOLT		04
18	0501014251	FLAT WASHER		04
19	0503010408	7/8" SPRING WASHER		04
20	0503010417	7/8" NUT		04
21	0503014887	2050 CHAIN X 80 LINK + REDUCTION		01
22	0503010780	N-2050 AMENDMENT		02



Item	Code	Description	See page	QT
01	0501110721	WHEEL HUB WITH SCREW / NUTS		01
02	0503010660	25590 CONE		02
03	0503010637	25523 CAP		02
04	0503010804	00547-B SEAL		02
05	0521012185	TRANSM AXLE CARRYING-WHEEL		01
06	0502011339	15Z GEAR P 1.25"		01
07	0503012550	5/16" X 3/4" BOLT		06
08	0511015949	LOCK NUT		01
09	0503010329	LOCK WASHER		01
10	0503010330	KM 9 LOCKNUT		01
13	0503010002	1800 GREASE FITTING		01



Item	Code	Description	See page
00	0501058202	RH BEAM SUPPORT & METERING	01 00 00 00 00 00
00A	0501058203	LH BEAM SUPPORT & METERING	00 01 00 00 00 00
00B	0501058204	RH BEAM SUPPORT	00 00 01 00 00 00
00C	0501058205	LH BEAM SUPPORT	00 00 00 01 00 00
00D	0501058206	FERTILIZER BEAM SUPPORT	00 00 00 00 01 00
00E	0501058207	LH FERTILIZER BEAM SUPPORT	00 00 00 00 00 01
01	0511069617	RH BEAM SUPPORT	01 00 00 00 00 00
02	0511069618	LH BEAM SUPPORT	00 10 00 00 00 00
03	0511069534	RH BEAM SUPPORT	00 00 01 00 00 00
04	0511069535	LH BEAM SUPPORT	00 00 00 01 00 00
05	0511069619		00 00 00 00 01 00
06	0511069620		00 00 00 00 00 01
07	0501057951	DISTRIBUTOR FERTILIZER	04 04 05 05 06 06
07A	0501110553	FERTILIZER DISTRIBUTOR BODY	04 04 05 05 06 06
07B	0501019851	DISTRIBUTOR FERTILIZER AXLE	04 04 05 05 06 06
07C	0521010309	SLEEVE INTER	04 04 05 05 06 06
07D	0503030275	AGRICULTURAL BEARING	08 08 10 10 12 12
07E	0503031165	LEFT HELICAL CONDUTOR	04 04 05 05 12 12
07F	0511017137	FLAT WASHER	04 04 05 05 12 12
07G	0503030303	SUPPORT WASHER	05 05 06 06 13 13
07H	0501013774	GREASE SEAL	04 04 05 05 12 12
07I	0502011412	18Z CONICAL GEAR	08 08 10 10 12 12
07J	0503010523	1/4" X 2" COTTERPIN	04 04 05 05 06 06
07K	0503011962	GREASE FITTING	04 04 05 05 06 06
07L	0503012826	CREASE FITTING	08 08 10 10 12 12
08	0501010942	3/8" X 1-1/4" BOLT	16 16 20 20 24 24
09	0503010025	3/8" SPRING WASHER	20 20 24 24 30 30
10	0503010026	3/8" NUT	20 20 24 24 28 28
11	0511061759	22Z P12,70 FQ 3/4" GEAR	01 01 01 01 01 01
12	0521014167	CONE LOCK	04 04 04 04 04 04
13	0551017677	3/4" X 1380 SQUARE SHAFT	01 00 00 00 00 00
14	0501018700	3/4" X 58" SQUARE SHAFT	00 01 00 00 00 00



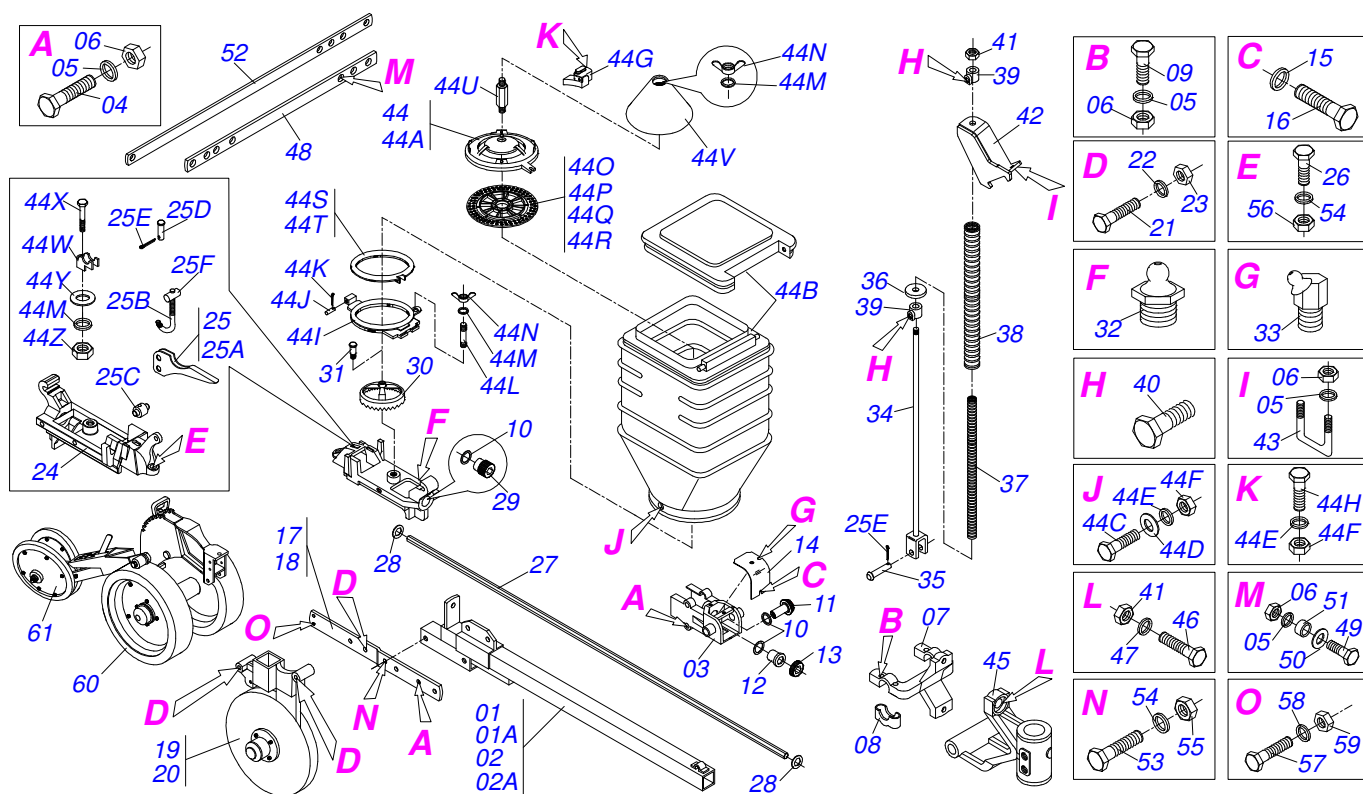
SUPPORT FERTILIZ BOX

0909093038

Item	Code	Description	See page
15	0501018697	3/4" X 69"SQUARE SHAFT	00 00 01 01 00 00
16	0511014265	3/4" X 86" SQUARE SHAFT	00 00 00 00 01 00
17	0551018198	SQUARE SHAFT	00 00 00 00 00 01
18	0521010691	AXLE FASTENER	02 02 02 02 02 02
19	0503010373	1/4" X 2" BOLT	02 02 02 02 02 02
20	0501010694	FLAT WASHER	08 08 08 08 08 08
21	0503011441	SPRING WASHER	02 02 02 02 02 02
22	0503010144	1/4" NUT	02 02 02 02 02 02
23	0501110392	SILO SUPPORT BEARING	01 01 01 01 01 01
24	0521012485	GEAR BOX BEARING AGRICUTURAL	01 01 01 01 01 01
25	0551018055	22,65 X 60 SLEEVE	00 01 00 01 00 01
26	0503011953	5/16" X 1" BOLT	04 04 04 04 04 04
27	0503010179	SPRING WASHER	04 04 04 04 04 04
28	0503010337	5/16" NUT	04 04 04 04 04 04
29	0503010003	1845 GREASE FITTING	00 01 00 01 00 01
30	0503010849	3/8" X 1-1/2" BOLT	04 04 04 04 04 04
31	0501010984	FLAT WASHER	08 08 08 08 08 08
32	0551019117	FERTILIZER DISTRIBUTOR COVER	04 04 05 05 06 06
33	0503010257	1/8" X 1" COTTERPIN	04 04 05 05 06 06
34	0503060636	COVER BOX RIGHT FERTILIZER	01 00 00 00 00 00
34A	0503031948	SILO RIGHT FERTILIZER	
34B	0503031950	TUBE SILO FERTILIZER	
35	0503060637	COVER BOX LEFT FERTILIZER	00 01 00 00 00 00
35A	0503031949	SILO LEFT FERTILIZER	
35B	0503031950	TUBE SILO FERTILIZER	
36	0503060640	COVER BOX RIGHT FERTILIZER	00 00 01 00 00 00
36A	0503031954	SILO RIGHT FERTILIZER	
36B	0503031956	TUBE SILO FERTILIZER	
37	0503060641	COVER BOX LEFT FERTILIZER	00 00 00 01 00 00
37A	0503031955	SILO LEFT FERTILIZER	
37B	0503031956	TUBE SILO FERTILIZER	
38	0503060642	COVER BOX RIGHT FERTILIZER	00 00 00 00 01 00
38A	0503031957		
38B	0503031959		
39	0503060643	COVER BOX LEFT FERTILIZER	00 00 00 00 00 01
39A	0503031958		
39B	0503031959		
40	0511062099	FERTILIZER BEAM CLAMP	02 02 02 02 02 02
41	0511061886	FERTILIZER BEAM LOCK	02 02 02 02 02 02
42	0503010019	1/2" SPRING WASHER	02 02 02 02 02 02
43	0503010060	1/2" NUT	02 02 02 02 02 02
44	0551019156	GEAR BOX LEVER LOCK	01 01 01 01 01 01
45	0503032624	FERTILIZER BEAN LIP	04 04 05 05 06 06



Item	Code	Description	See page	07	09	11
00	0511047036	SHORT SEED/FERTILIZER ROW ASSY		04	05	06
00A	0511047037	RH LONG SEED/FERTIL ROW W/DDD		03	04	05
00B	0511047240	SHORT SEED/FERTILIZER ROW W/SHANKS		04	05	06
00C	0511047241	LONG SEED/FERTILIZER ROW W/SHANKS		03	04	05
01	0511047032			04	05	06
02	0511047033			03	04	05
03	0511047034	LH SHORT FERTIL ROW W/DDD ASSY		04	05	06
04	0511047035	LH LONG FERTIL ROW W/DDD ASSY		03	04	05
05	0511047242	LH SHORT FERT. ROW W/SPINDLE ASSY		04	05	06
06	0511047243	LH LONG FERT. ROW W/SPINDLE ASSY		03	04	05



Item	Code	Description	See page	CURTA LONGA
00	0501058183	RH SHORT SEED ROW	01	00
00A	0501058184	LH LONG SEED ROW	00	01
01	0501058187	RH SHORT FERT. ROW W/DDD ASSY	01	00
01A	0511069641	SHORT SEED ROW ASSY	01	00
02	0501058188	LH LONG SEED ROW ARM W/DDD	00	01
02A	0511069642	LONG SEED ROW ASSY	00	01
03	0502011830	ARTICULACCION SUPPORT	01	01
04	0503010752	1/2" X 3.1/2" BOLT	04	04
05	0503010019	1/2" SPRING WASHER	10	10
06	0503010060	1/2" NUT	10	10
07	0502011561	BEARING SEMI	01	01
08	0502010426	UPPER BEARING SEMI	02	02
09	0503010479	1/2" X 3" BOLT	04	04
10	0501013354	FLAT WASHER	03	03
11	0502011400	18Z CONICAL GEAR	01	01
12	0502011296	1/2 HEX AXLE BEARING SLEEVE	01	01
13	0502011505	18Z CONICAL GEAR	01	01
14	0521018079	SEEP ROW DRAWBAR COVER	01	01
15	0503011441	SPRING WASHER	02	02
16	0503013758	1/4" X 1-1/2" BOLT	02	02
17	0501013413	RIGHT SIDE BASE	01	01
18	0501013414	LEFT SIDE BASE	01	01
19	0501052978	RIGHT 15" X 15" DOUBLE DISC	01	00
20	0501052979	LEFT 15" X 15" DOUBLE DISC	00	01
21	0503010723	7/16" X 4" BOLT	02	02
22	0503011446	SPRING WASHER	05	05
23	0503010244	7/16" NUT	05	05
24	0502012314	SEED BOX FIXING BASE	01	01
25	0501058010	SEMIFINISHED FAST CLOSING SET	01	01
25A	0541016855	SPEED ??LOCK LEVER ASSY	01	01
25B	0551018049	PRISONER CLOSING FAST	01	01



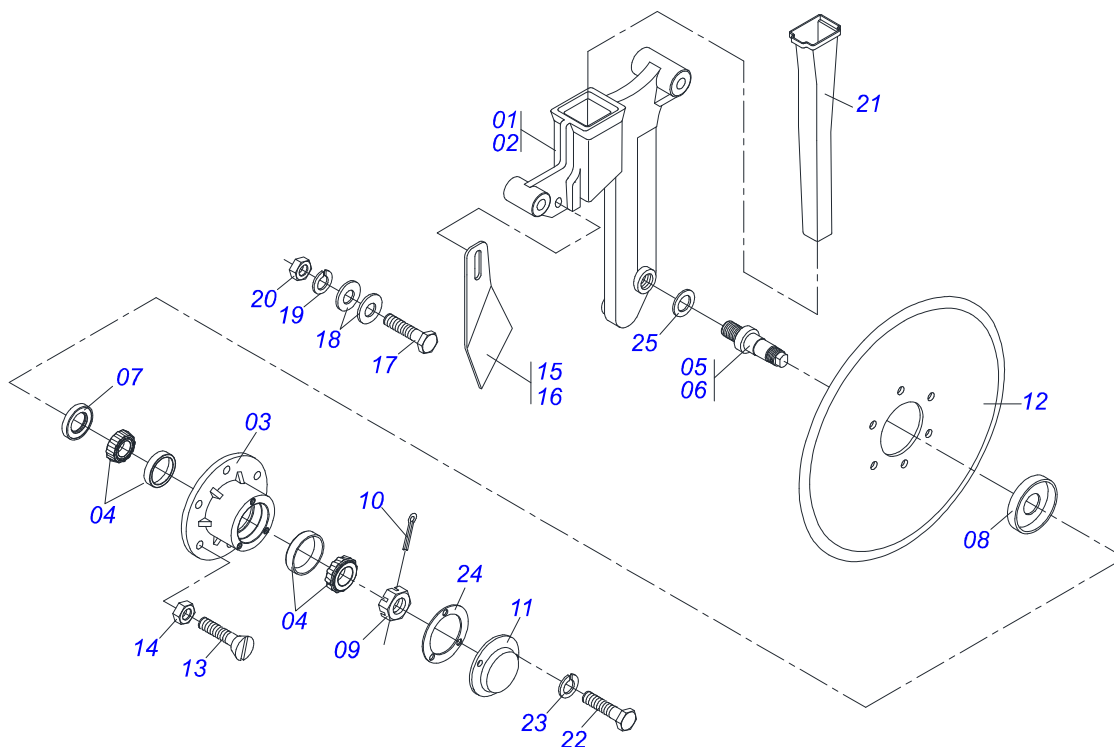
PST4
SEED ROW ASSY

Item	Code	Description	See page	CURTA LONGA
25C	0551018051	FAST BOLT AXLE		01 01
25D	0551018050	FAST BOLT GUIDE AXLE		01 01
25E	0503010257	1/8" X 1" COTTERPIN		02 02
25F	0531018626	BOLT FAST REGULACION		01 01
26	0503011195	7/16" X 1.3/4" BOLT		01 01
27	0521018077	1/2" X 58.6" HEX AXLE		01 01
28	0501013352	FLAT WASHER		02 02
29	0502011411	10Z CONICAL GEAR		01 01
30	0502011418	40Z CONICAL GEAR		01 01
31	0511018700	AXLE		01 01
32	0503010002	1800 GREASE FITTING		02 02
33	0503011099	GREASE FITTING		02 02
34	0511060376	SEEP SPRING GUIDE		01 01
35	0521010542	COUPLING SHAFT		01 01
36	0501013753	FLAT WASHER		01 01
37	0503031339	1" X 19" X 0.1" COMPRESSION SPRING		01 01
38	0503031340	1.7"X 19" X 0.3" COMPRESSION SPRING		01 01
39	0502040534	SPRING GUIDE BUSHING LOCK		02 02
40	0503010834	1/2 X 1 BOLT		02 02
41	0503010013	5/8" NUT		03 03
42	0511069658	SPRING ROD SUPPORT		01 01
43	0521014021	1/2" X 4.5" X 5.4" FASTENER		01 01
44	0501052234	SEED SISTEM ASSY		01 01
44A	0502020324	SEED BOX SUPPORT		01 01
44B	0503031508	COVER GREEN BEAM SEED YELLOW		01 01
44C	0503010358	5/16" X 5/8" BOLT		04 04
44D	0501010694	FLAT WASHER		04 04
44E	0503010179	SPRING WASHER		05 05
44F	0503010337	5/16" NUT		05 05
44G	0501051094	SEED DISTRIB ASSY WITH DOUB PULLEY		01 01
44H	0503010675	5/16" X 2.1/4" BOLT		01 01
44I	0502010408	SEED DISC LOWER TRAIL		01 01
44J	0521010536	0.3" X 3.8" COUPLING SHAFT		01 01
44K	0503010140	1/8" X 3/4" COTTERPIN		01 01
44L	0503030083	3/8" X 3/8" X 1.6" STUD		01 01
44M	0503010025	3/8 SPRING WASHER		03 03
44N	0503010209	3/8" UNC BUTTERFLY NUT		02 02
44O	0502020564	SOYBEAN DISC WITH 100 HOLES		01 01
44P	0502020565	SOYBEAN DISC WITH 90 HOLES		01 01
44Q	0503032126	CORN DISC		01 01
44R	0503032127	CORN DISC 28 HOLE		01 01
44S	0501013355	DISC SEAT		01 01
44T	0501013356	DISC SEAT		01 01
44U	0503030083	3/8" X 3/8" X 1.6" STUD		01 01
44V	0511013494	DEFLECTOR		01 01
44W	0531018622	BOLT FAST SUPPORT UPPER		01 01
44X	0501010096	3/8" X 2" BOLT		01 01
44Y	0501010984	FLAT WASHER		01 01
44Z	0503010026	3/8" NUT		01 01
45	0502011567	FERTILIZER ROW SUPPORT		01 01
46	0503010762	5/8" X 3-12" BOLT		02 02
47	0503010027	SPRING WASHER		02 02
48	0501013714	STABILIZER BAR		01 01
49	0503010740	1/2" X 2" BOLT		01 01
50	0511017302	FLAT WASHER		01 01
51	0521010505	13,50 X 19,00 X 21,50 SLEEVE		01 01
52	0501018652	CORN STABILIZER BAR		01 01
53	0503010850	7/16" X 3" BOLT		01 01
54	0503010180	7/16" SPRING WASHER		01 01

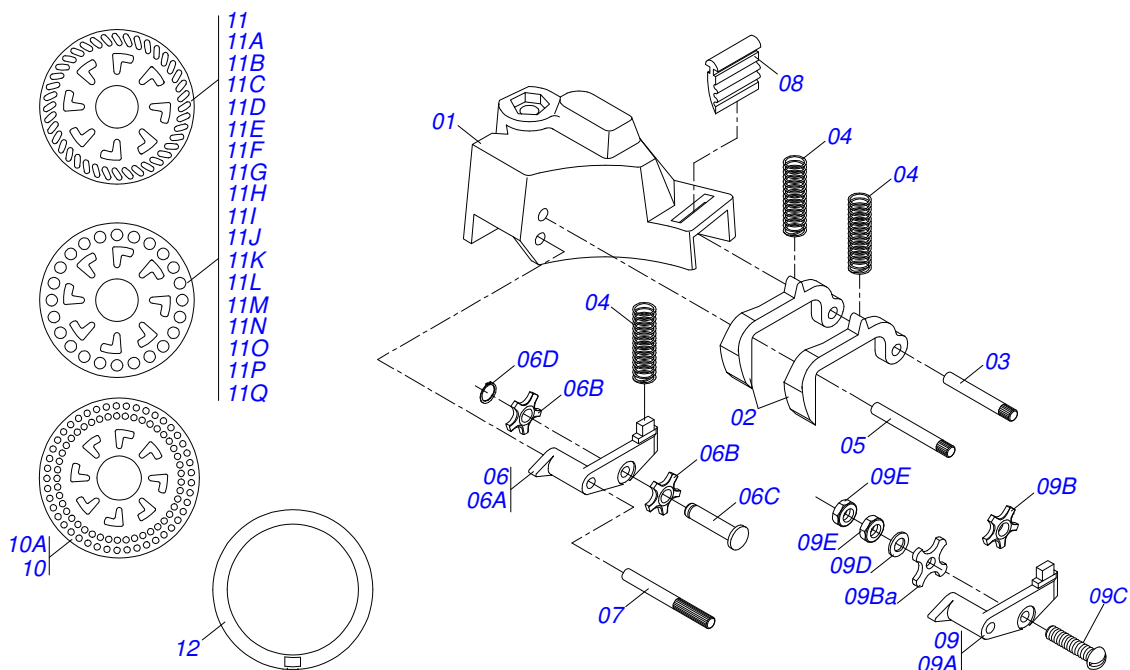


PST4
SEED ROW ASSY

Item	Code	Description	See page	CURTA LONGA
55	0503010244	7/16" NUT		01 01
56	0503013233	7/16 NUT		01 01
57	0503010848	5/16" X 3.1/2" BOLT		02 02
58	0503010179	SPRING WASHER		02 02
59	0503010337	5/16" NUT		02 02
60	0501058177	DEPTH CONTROL PRESS WHEEL		01 01
61	0501052908	COMPACTOR WHEEL WITH BEARING		01 01



Item	Code	Description	See page	QT
00	0501052978	RIGHT 15" X 15" DOUBLE DISC		01
00.	0501052979	LEFT 15" X 15" DOUBLE DISC		01
01	0502011184	15" X 15" DOUBLE DISC SUPPORT		01
02	0502011183	15"X15" LW SEED UNAL DOUB-DISC SUPP		01
03	0502011930	DOUBLE DISC COULTER BOX		02
04	0503010598	30204 BALL BEARING		04
05	0521019154	RIGHT DOUB DISC HUB		01
06	0521019148	LEFT DOUBLE DISC HUB		01
07	0503011112	SEAL 02376-BRG		02
08	0511011927	DUST CLOAK		02
09	0503030282	3/4" CASTLE NUT		02
10	0503010257	1/8" X 1" COTTERPIN		02
11	0521019178	COVER DEPTH		02
12	0603022042	13" X 0.12" PLAIN COULTER BLADE		02
13	0503010546	5/16" X 7/8" BOLT		12
14	0503010337	5/16" NUT		12
15	0501017541	RH DOUBLE DISC SCRAPER		01
16	0501017542	LH DOUBLE DISC SCRAPER		01
17	0503010751	C3/8" X 1.1/4" HEX BOLT G.5		01
18	0501010984	FLAT WASHER		02
19	0503010025	3/8 SPRING WASHER		01
20	0503010026	3/8" NUT		01
21	0503030482	SEED SOCKET		01
22	0503013758	1/4" X 1-1/2" BOLT		06
23	0503010143	SPRING WASHER		06
24	0503030757	2.9" X 2" X 0.02" JOINT		02
25	0511015098	FLAT WASHER		02



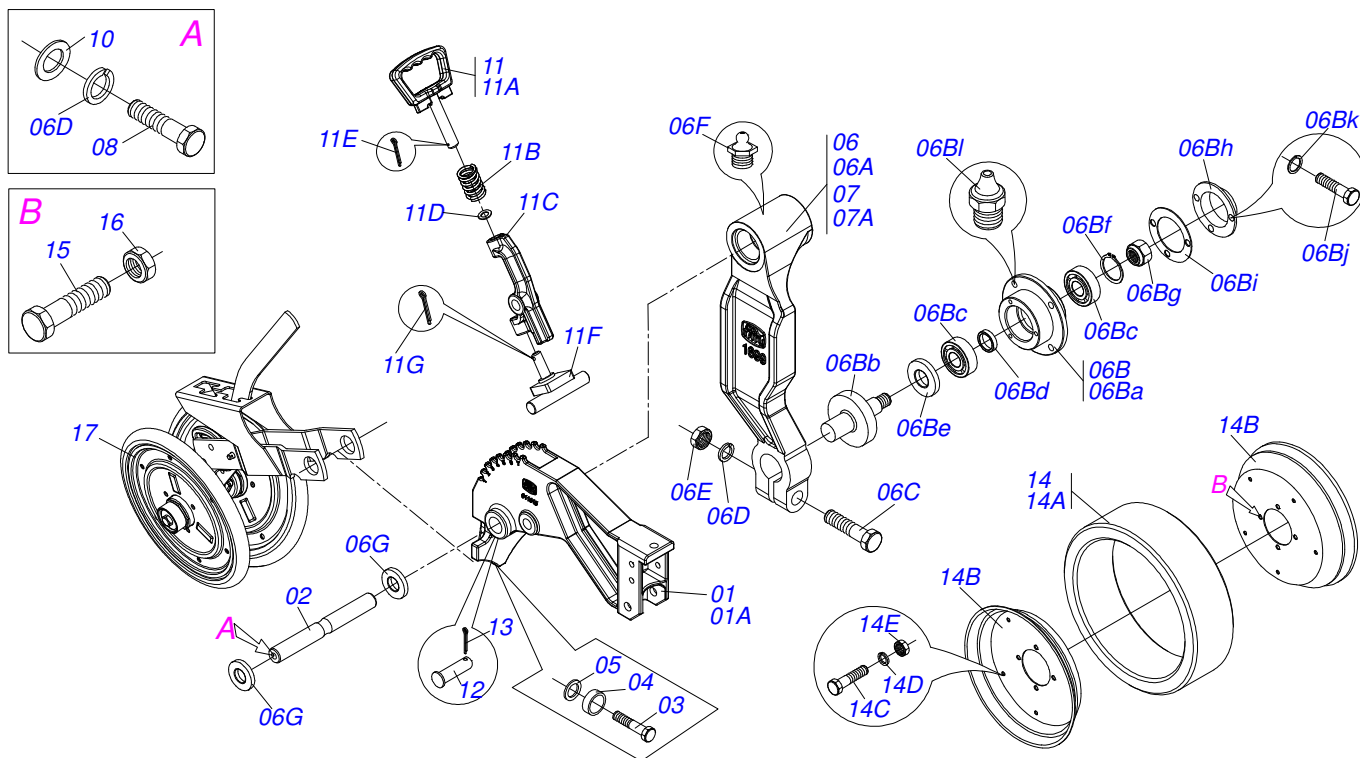
Item	Code	Description	See page	QT
00	0501051094	SEED DISTRIB ASSY WITH DOUB PULLEY	01	
00A	0501050077	SEED DISTRIB ASSY W/ SIMPLE PULLEY	01	
01	0503030381	SEED DISTRIBUTOR BOX	01	
02	0502010447	TRIGGER	02	
03	0501013467	KEY AXLE	01	
04	0503030378	0.4" X 1.1" X 0.03" SPRING	03	
05	0501013466	KEY LIMITER AXLE	01	
06	0501051119	DOUBLE PULLEY ROCKERS	01	
06A	0503031129	DOUBLE PULLEY ROCKER ARM	01	
06B	0503031128	5Z PLASTIC DOUB PULLEY FOR SOYBEAN	02	
06C	0503031130	PIN OF THE PULLEY	01	
06D	0503011853	503050 CLAMPING RING (FOR HOLE)	01	
07	0501013468	ROCKER ARM AXLE, OF THE PULLEY	01	
08	0503030377	SCRAPER	01	
09	0501050120	LARGER WALKING BEAM ASSY	01	
09A	0503030379	LARGER ROCKER ARM	01	
09B	0502060001	PLASTIC PULLEY FOR MAIZE	01	
09Ba	0503030558	PLASTIC PULLEY FOR MAIZE	01	
09C	0503010803	3/16" X 3/4" BOLT	01	
09D	0503010669	FLAT WASHER	01	
09E	0503010667	3/16" NUT	02	
10	0502020584	BEAN SEED DISC 64 HOLE OBLONG	01	
10A	0502020585	COTTON SEED DISC 64 HOLE OBLONG	01	
11	0502020351	CORN SEED DISC 24 HOLE	01	
11A	0502020366	CORN SEED DISC 24 HOLE	01	
11B	0502020331	BEAN SEED DISC 26 HOLE OBLONG	01	
11C	0502020408	BEAN SEED DISC 38 HOLE OBLONG	01	
11D	0502020353	SORGO BEET SEED DISC 40 HOLE	01	
11E	0502020346	RICE SEED DISC 40 OBLONG	01	
11F	0502020560	SUNFLOWER SEED DISC 28 OBLONG	01	
11G	0502020554	SUNFLOWER SEED DISC 28 OBLONG	01	



SEED DISTRIBUTOR ASSY

0909090134

Item	Code	Description	See page	QT
11H	0502020340	DISC WITHOUT HOLE		01
11I	0502020367	DISC WITHOUT HOLE		01
11J	0502020328	SOYBEAN SEED DISC 34 OBLONG		01
11K	0503031678	DISC WITHOUT HOLE		01
11L	0502020327	DISC WITHOUT HOLE		01
11M	0503031677	DISC WITHOUT HOLE		01
11N	0502020583	PEANUT SEED DISC 20		01
11O	0502020419	COTTON SEED DELINTED 40		01
11P	0502020407	BEAN SEED DISC		01
11Q	0502020333	BEAN SEED DISC		01
12	0511017897	DISC SEAT		01



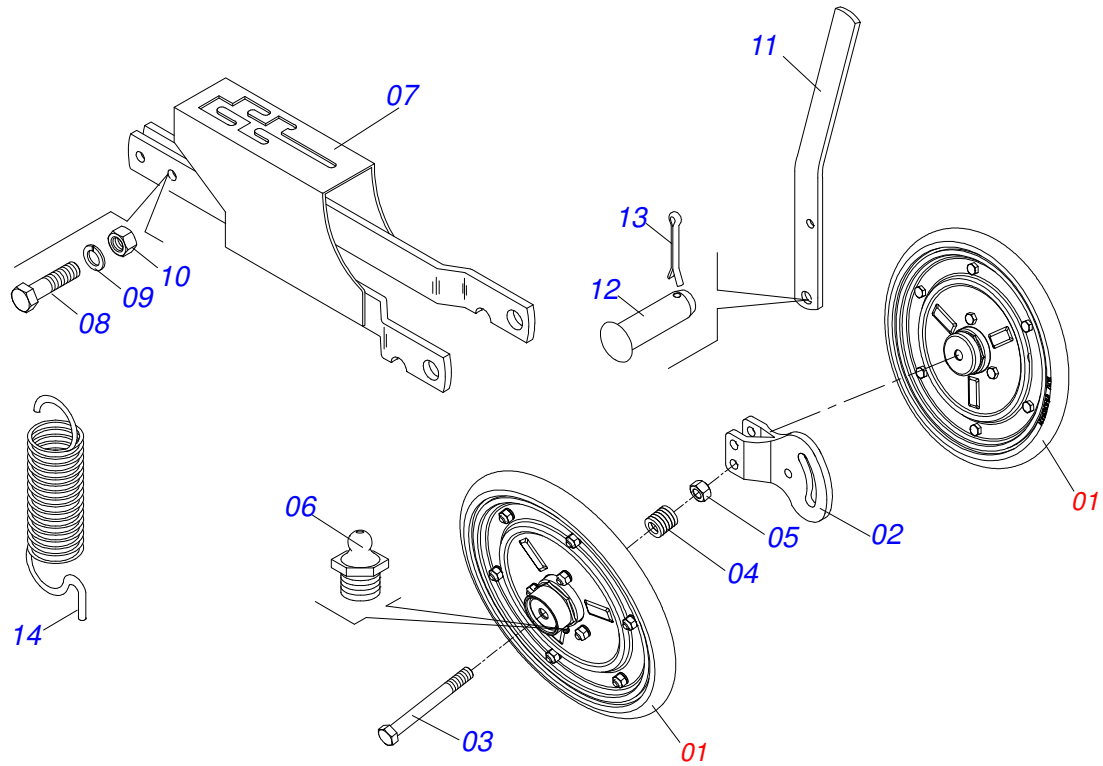
Item	Code	Description	See page	QT
00	0501058177	DEPTH CONTROL PRESS WHEEL	01	
01	0501058176	DEPTH CONTROL PRESS WHEELS	01	
01A	0502012086	DEPTH CONTROL SUPPORT	01	
02	0531010765	DEPTH WHEEL AXLE	01	
03	0503010256	3/8" X 3/4" BOLT	01	
04	0521010480	1" X 1.2" X 0.4" ARTICULAT SLEEVE	02	
05	0521015818	FLAT WASHER	04	
06	0501058576	RIGHT WHEEL ARM	01	
06A	0502012553	DEPTH WHEEL RIGHT ARM	01	
06B	0501052627	ASSY DEPTH WHEEL BOX	02	
06Ba	0502011907	DEPTH CONTROL WHEEL HUB	02	
06Bb	0511060927	DEPTH CONTROL AXLE WITH DUST CLOAK	02	
06Bc	0503010269	6204 BALL BEARING	04	
06Bd	0501013636	SPACING SLEEVE	02	
06Be	0503010689	SEAL 00763-BR	02	
06Bf	0503011105	SEAL RING	02	
06Bg	0503010878	5/8" SELF ALIGNING NUT	02	
06Bh	0521019178	COVER DEPTH	02	
06Bi	0503030757	2.9" X 2" X 0.02" JOINT	02	
06Bj	0503014729	1/4" UNF X 1/2" BOLT	03	
06Bk	0503011441	SPRING WASHER	06	
06Bl	0503010691	1/4" GREASE FITTING	02	
06C	0503010740	1/2" X 2" BOLT	01	
06D	0503011440	SPRING WASHER	03	
06E	0503010060	1/2" NUT	01	
06F	0503010002	1800 GREASE FITTING	01	
07	0501058577	RIGHT ARM DEPTH CONTROL WHEEL	01	
07A	0502012552	LH ARM DEPTH CONTROL WHEEL	01	
08	0503010834	1/2 X 1 BOLT	02	
09	0503010019	1/2" SPRING WASHER	02	
10	0511017302	FLAT WASHER	02	



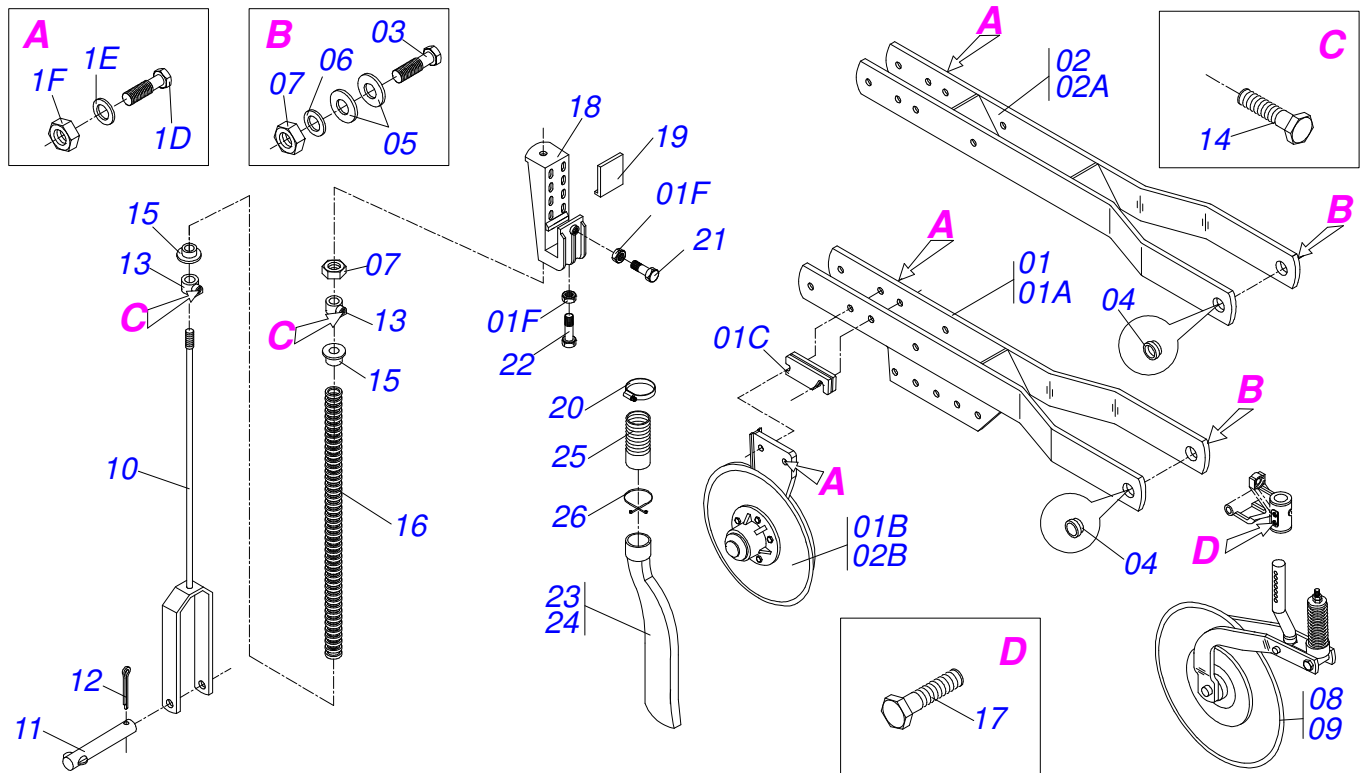
DEPTH CONTROL WHEEL ASSY

0909093041

Item	Code	Description	See page	QT
11	0501052297	DEPTH WHEELS REGULATOR ASSY		01
11A	0502011689	1/8" DEPTH CONTROL LEVER		01
11B	0503030975	0.9" X 1.5" X 0.1" SPRING		01
11C	0502011688	SEED SIST CONTROL DEPTH LEVER		01
11D	0511015976	FLAT WASHER		01
11E	0503010257	1/8" X 1" COTTERPIN		01
11F	0511060699	DEPTH WHEEL STOP		01
11G	0503010071	3/16" X 1" COTTERPIN		01
12	0521019093	0.6" X 2.7" PIVOT SHAFT		01
13	0503010778	1/8" X 1.1/2" COTTERPIN		01
14	0501052538	DEPTH BAND WITH ARMS		02
14A	0503030551	DEPTH CONTROL WHEEL RUBBER BAND		02
14B	0521010832	RIM FLANGE		04
14C	0503010298	1/4" X 1/2" BOLT		10
14D	0503010143	SPRING WASHER		10
14E	0503010144	1/4" NUT		10
15	0503010358	5/16" X 5/8" BOLT		08
16	0503013816	5/16" LOCKNUT		08
17	0909093042	"V" PRESS WHEEL	19	01



Item	Code	Description	See page
01	0501052908	COMPACTOR WHEEL WITH BEARING	02
02	0502012116	PRESS WHEEL ADJUSTER	01
03	0503010706	1/2" X 4.1/2" BOLT	02
04	0521014508	FLAT WASHER	02
05	0503011336	1/2" HEX SELF ADJUSTING NUT	02
06	0503010691	1/4" GREASE FITTING	02
07	0511069633	PRESS WHEELS COMPACTOR	01
08	0503010849	3/8" X 1-1/2" BOLT	02
09	0503011443	SPRING WASHER	02
10	0503010026	3/8" NUT	02
11	0541016906	PRESS WHEELS REGULATOR BODY	01
12	0521010539	0.3" X 1.2" COUPLING SHAFT	01
13	0503010257	1/8" X 1" COTTERPIN	01
14	0503030805	1.6" X 6" X 0.2" TRACTION SPRING	01



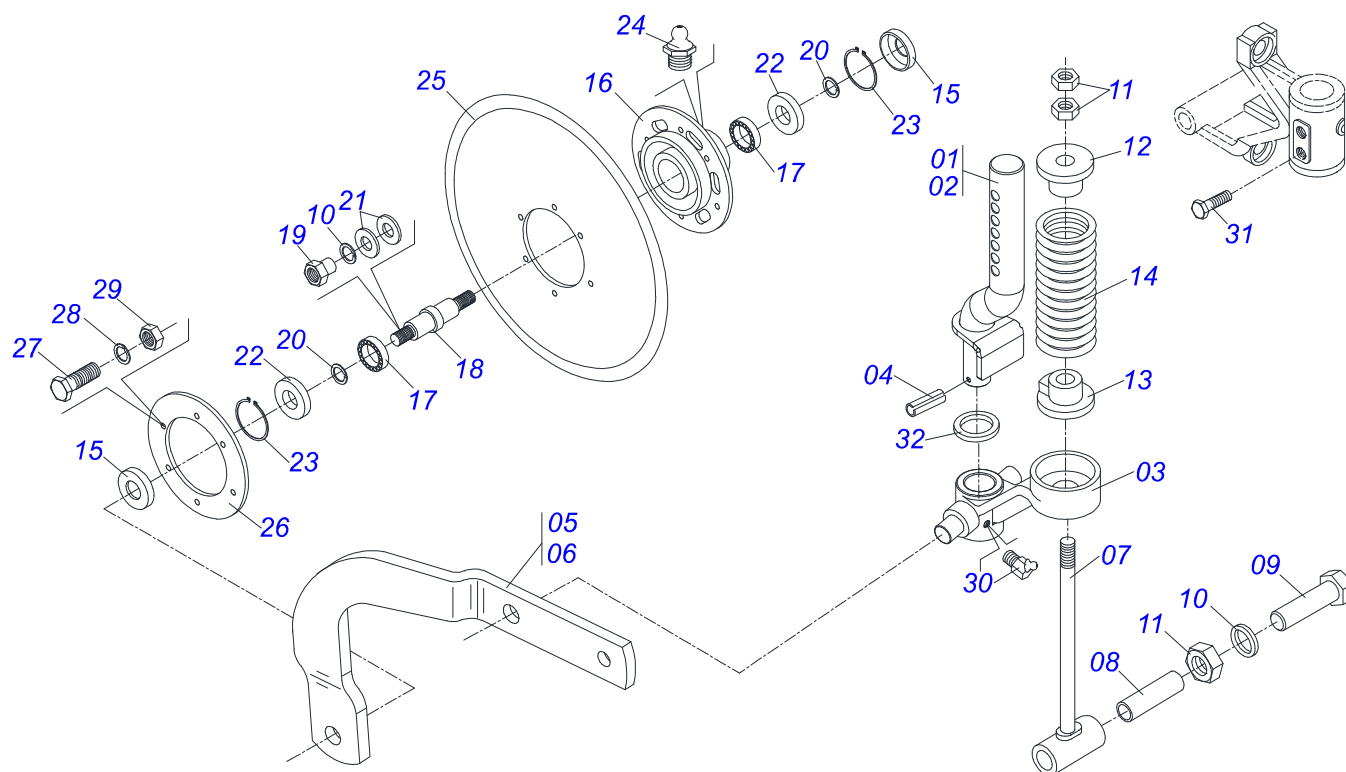
Item	Code	Description	See page	CURTA LONGA
00	0511047034	LH SHORT FERTIL ROW W/DDD ASSY	00	01
00A	0511047035	LH LONG FERTIL ROW W/DDD ASSY	01	00
01	0501058185	LH FERTILIZER W/DDD ROW ARM	00	01
01A	0511064230	SHORT FERTILIZER ROW ARM	00	01
01B	0501052977	DDD LEFT FERTILIZER 15 X 15 ASSY	00	01
01C	0511018662	SPACING PLATE	04	04
01D	0503010547	1/2" X 4" BOLT	02	02
01E	0503011440	SPRING WASHER	02	02
01F	0503010060	1/2" NUT	04	04
02	0501058186	RH FERTILIZER W/DDD LONG ROW ARM	01	00
02A	0511064232	LONG FERTILIZER ROW ARM	01	00
02B	0501052976	15 X 15 RIGHT FERT UNAL DOUB-DISC ASSY	01	00
03	0501010066	3/4" X 9" BOLT	01	01
04	0521017831	SUPPORT SLEEVE SPACER	02	02
05	0511017232	FLAT WASHER	02	02
06	0503010023	SPRING WASHER	01	01
07	0503010014	3/4" NUT	02	02
08	0511044549	18" COULTER BLADE ASSY FOR SHORT ROW	00	01
09	0511044573	18" COULTER BLADE ASSY FOR LONG ROW	01	00
10	0511069645	FERTILIZER SPRING ROD	01	01
11	0521010642	FERT.SPRING GUIDE FIXER COUPL SHAFT	01	01
12	0503010257	1/8" X 1" COTTERPIN	01	01
13	0502012196	SPRING GUIDE BEARING LOCK	02	02
14	0501018535	1/2 X 1 BOLT	02	02
15	0502012184	FERTILIZER SPRING GUIDE	02	02
16	0503031910	1.7" X 22.8" X 0.3" SPRING	01	01
17	0511016156	5/8" X 1.1/2" BOLT	02	02
18	0502012510	SPRING ROD SUPPORT	01	01
19	0502010891	SPRING CHOCK SUPPORT VARON	01	01
20	0503010246	CLAMP	01	01
21	0503030679	1/2" X 1-1/4" BOLT	01	01



PST4
FERTILIZER ROW ASSY

Page 20
0909093043

Item	Code	Description	See page	CURTA LONGA
22	0503030678	1/2"X1-1/2"BOLT		01 01
23	0503030391	RIGHT FERTILIZER SOCKET		01 01
24	0503030392	LEFT FERTILIZER SOCKET		01 01
25	0503030408	10 X 2 X 390 HOSE		01 01
26	0503031076	2" HOSE CLAMP		02 02



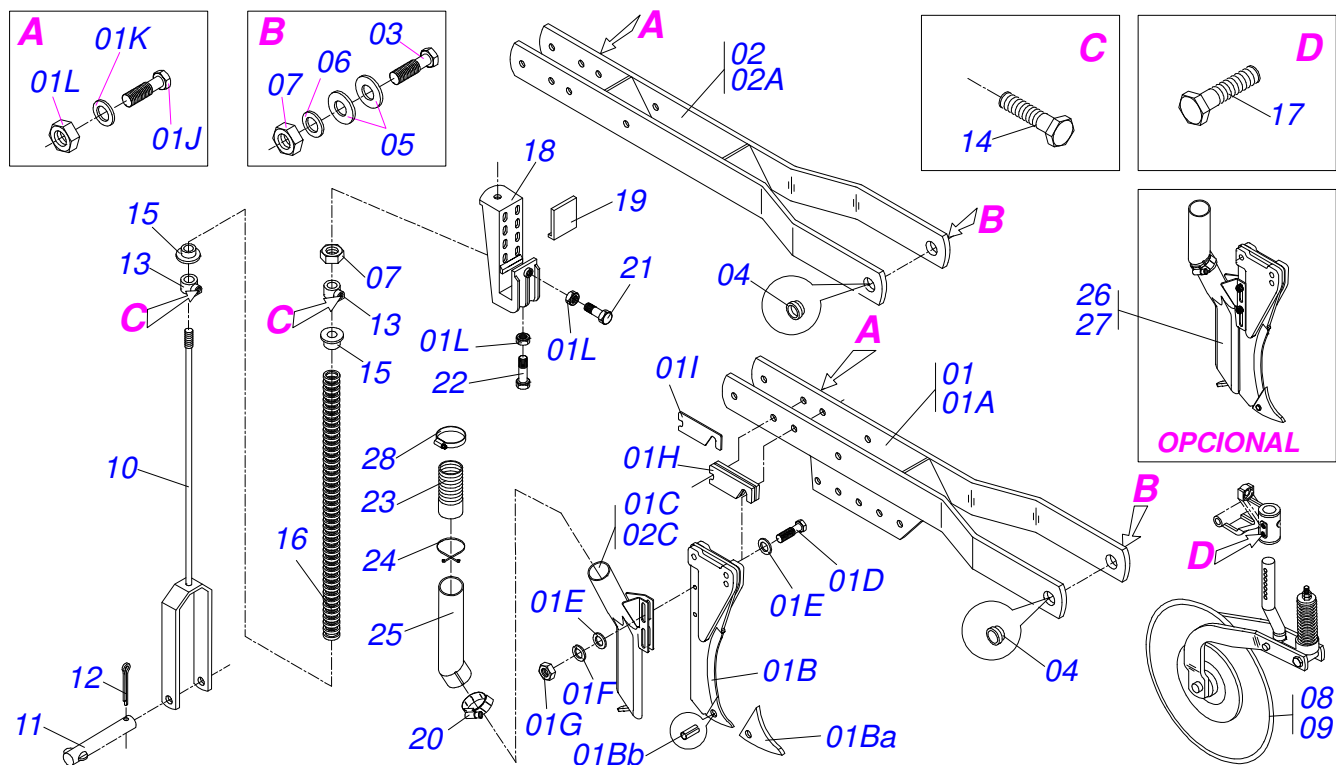
Item	Code	Description	See page	CT LG
00	0511044549	18" COULTER BLADE ASSY FOR SHORT ROW		01 00
00.	0511044573	18" COULTER BLADE ASSY FOR LONG ROW		00 01
01	0511067045	SHORT WHIT BEATER BLADE DISC FIX AXLE		01 00
02	0511067044	LONG WHIT BEATER BLADE DISC FIX AXLE		00 01
03	0502012368	BLADE DISC SUPPORT AXLE		01 01
04	0503010361	SPRING PIN		01 01
05	0521014137	RIGHT ARM OF THE BLADE DISC		01 01
06	0521014138	SUPPORT ARM LEFT BALDE DISC		01 01
07	0501067323	SPRING REGULATOR		01 01
08	0521010452	SLEEVE		01 01
09	0503013185	3/4" X 5-1/2" BOLT		01 01
10	0503011442	3/4" SPRING WASHER		01 01
11	0503010014	3/4" NUT		03 03
12	0502020393	SPRING UPPER SUPPORT		01 01
13	0502020394	SPRING SUPPORT		01 01
14	0503031341	2.7 X 8 X 0.5 COMPRESSION SPRING		01 01
15	0521015376	DUST CLOAK		02 02
16	0502011562	DC PST ACT/ULTR BOX		01 01
17	0503010276	6206 BALL BEARING		02 02
18	0521013610	BLADE DISC HUB AXLE		01 01
19	0521013510	3/4" NUT		02 02
20	0503011438	SPRING WASHER		02 02
21	0511015346	FLAT WASHER		02 02
22	0503012417	SEAL		02 02
23	0503011800	SEAL RING		02 02
24	0503010691	1/4" GREASE FITTING		01 01
25	0603026013	PLAIN COULTER BLADE		01 01
26	0502020641	BLADE DISC FLANGE		01 01
27	0503010371	5/16" X 1" BOLT		06 06
28	0503011444	SPRING WASHER		06 06
29	0503010337	5/16" NUT		06 06



PST4
BLADE DISC ASSY

Page 21
0909092926

Item	Code	Description	See page	CT LG
30	0503010003	1845 GREASE FITTING		01 01
31	0511016156	5/8" X 1.1/2" BOLT		02 02
32	0541018684	FLAT WASHER		01 01



Item	Code	Description	See page	CURTA	LONGA
00	0511047242	LH SHORT FERT. ROW W/SPINDLE ASSY	01	00	
00A	0511047243	LH LONG FERT. ROW W/SPINDLE ASSY	00	01	
01	0501058438	LH FERT SHORT ROW ARM W/SPINDLE	01	00	
01A	0511064230	SHORT FERTILIZER ROW ARM	01	00	
01B	0501110231	SCARIFIER HEAD WITH SPIKE 0061	01	01	
01C	0511061769	FERTILIZER CONDUCTOR RIGHT	00	01	
01D	0503010751	C3/8" X 1.1/4" HEX BOLT G.5	02	02	
01E	0501010984	FLAT WASHER	04	04	
01F	0503010025	3/8 SPRING WASHER	02	02	
01G	0503010026	3/8" NUT	02	02	
01H	0511018662	SPACING PLATE	02	02	
01I	0511017969	0.1" SPACING PLATE	02	02	
01J	0503010547	1/2" X 4" BOLT	02	02	
01K	0503010019	1/2" SPRING WASHER	02	02	
01L	0503010060	1/2" NUT	02	02	
02	0501058439	RH FERTILIZER LG ROW ARM W/SPINDLE	00	01	
02A	0511064232	LONG FERTILIZER ROW ARM	00	01	
02C	0511061770	FERTILIZER CONDUCTOR LEFT	01	00	
03	0501010066	3/4" X 9" BOLT	01	01	
04	0521017831	SUPPORT SLEEVE SPACER	02	02	
05	0511017232	FLAT WASHER	02	02	
06	0503010023	SPRING WASHER	01	01	
07	0503010014	3/4" NUT	02	02	
08	0511044549	18" COULTER BLADE ASSY FOR SHORT ROW	01	00	
09	0511044573	18" COULTER BLADE ASSY FOR LONG ROW	00	01	
10	0511069645	FERTILIZER SPRING ROD	01	01	
11	0521010642	FERT.SPRLNG GUIDE FIXER COUPL SHAFT	01	01	
12	0503010257	1/8" X 1" COTTERPIN	01	01	
13	0502012196	SPRING GUIDE BEARING LOCK	02	02	
14	0501018535	1/2 X 1 BOLT	02	02	
15	0502012184	FERTILIZER SPRING GUIDE	02	02	

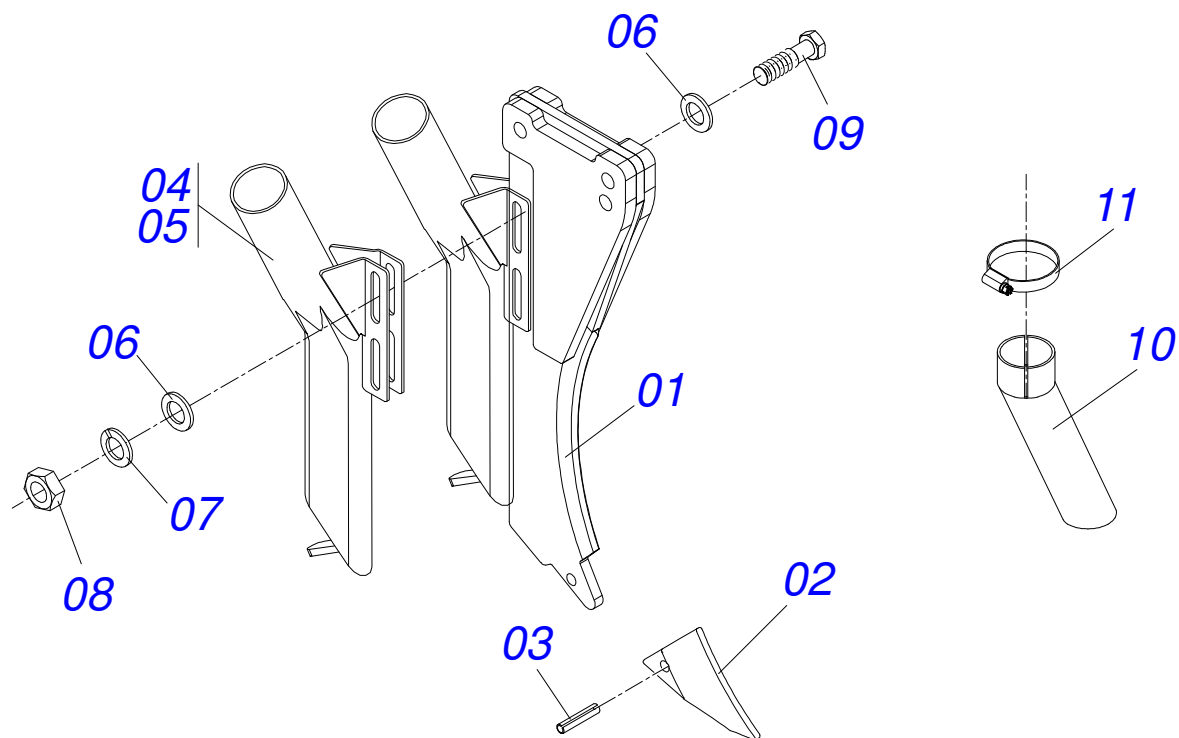


PST4
FERTILIZER ROW ASSY

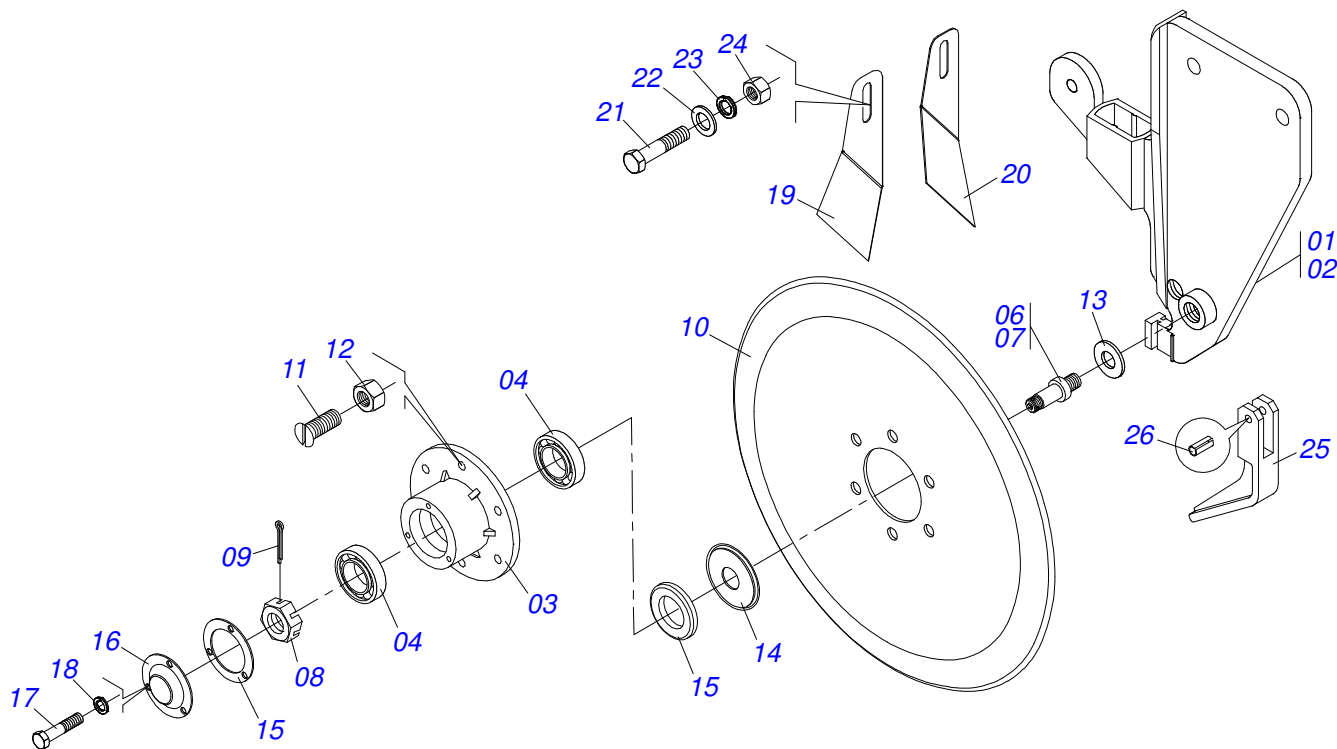
Page 22
0909093048

Item	Code	Description	See page	CURTA	LONGA
16	0503031910	1.7" X 22.8" X 0.3" SPRING		01	01
17	0511016156	5/8" X 1.1/2" BOLT		02	02
18	0502012510	SPRING ROD SUPPORT		01	01
19	0502010891	SPRING CHOCK SUPPORT VARON		01	01
20	0503010246	CLAMP		01	01
21	0503030679	1/2" X 1-1/4" BOLT		01	01
22	0503030678	1/2"X1-1/2"BOLT		01	01
23	0503030408	10 X 2 X 390 HOSE		01	01
24	0503031076	2" HOSE CLAMP		02	02
25	0503031050	CURVED CONDUCTOR		01	01
26	0501058442	RH FERTILIZER SCARIFIER SPINDLE		00	01
27	0501058443	LH FERTILIZER SCARIFIER SPINDLE		01	00
28	0503010246	CLAMP		01	01

ROD RIGHT SCARIFIER SPINDLE ASSY

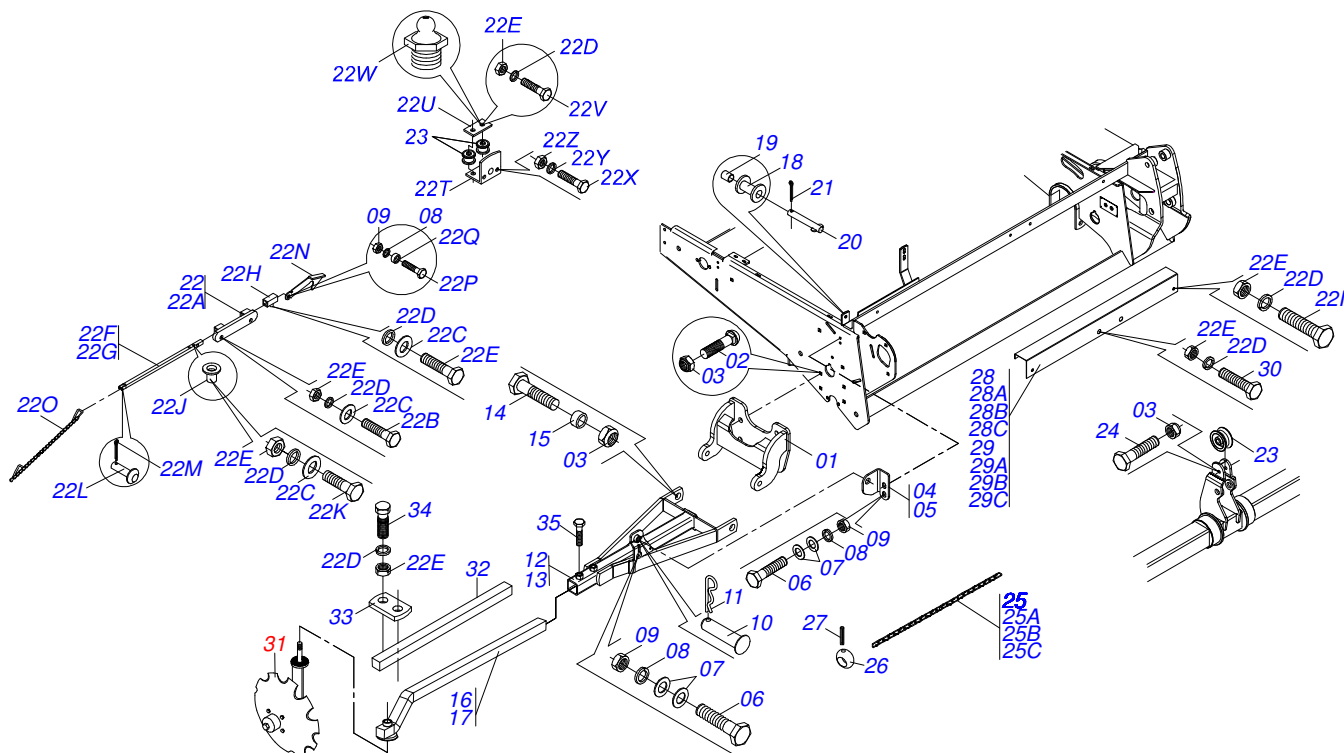


Item	Code	Description	See page	QT
00	0501058442	RH FERTILIZER SCARIFIER SPINDLE		01
00A	0501058443	LH FERTILIZER SCARIFIER SPINDLE		01
01	0501110231	SCARIFIER HEAD WITH SPIKE 0061		01
02	0502070061	POINT SUBSOILER		01
03	0503011373	0.4" X 1.1" SPRING PIN		01
04	0511061769	FERTILIZER CONDUCTOR RIGHT		01
05	0511061770	FERTILIZER CONDUCTOR LEFT		01
06	0501010984	FLAT WASHER		04
07	0503010025	3/8 SPRING WASHER		02
08	0503010026	3/8" NUT		02
09	0503010751	C3/8" X 1.1/4" HEX BOLT G.5		02
10	0503031050	CURVED CONDUCTOR		01
11	0503010246	CLAMP		01



Item	Code	Description	See page	DIR	ESQ
00	0501052976	15 X 15 RIGHT FERT UNAL DOUB-DISC ASSY	01	00	
00A	0501052977	DDD LEFT FERTILIZER 15 X 15 ASSY	00	01	
01	0502011160	15"X15" RIGHT DOUBLE DISC SUPPORT	01	00	
02	0502011161	15"X15" LEFT DOUBLE DISC SUPPORT	00	01	
03	0502011930	DOUBLE DISC COULTER BOX	02	02	
04	0503010598	30204 BALL BEARING	04	04	
05	0503011112	SEAL 02376-BRG	02	02	
06	0521019154	RIGHT DOUB DISC HUB	01	01	
07	0521019148	LEFT DOUBLE DISC HUB	01	01	
08	0503030282	3/4" CASTLE NUT	02	02	
09	0503010257	1/8" X 1" COTTERPIN	02	02	
10	0603022042	13" X 0.12" PLAIN COULTER BLADE	02	02	
11	0503010546	5/16" X 7/8" BOLT	12	12	
12	0503010337	5/16" NUT	02	02	
13	0511015098	FLAT WASHER	06	06	
14	0511011927	DUST CLOAK	02	02	
15	0503030757	2.9" X 2" X 0.02" JOINT	02	02	
16	0521019178	COVER DEPTH	02	02	
17	0503014729	1/4" UNF X 1/2" BOLT	06	06	
18	0503011441	SPRING WASHER	06	06	
19	0501017541	RH DOUBLE DISC SCRAPER	01	01	
20	0501017542	LH DOUBLE DISC SCRAPER	01	01	
21	0503010751	C3/8" X 1.1/4" HEX BOLT G.5	01	01	
22	0501010984	FLAT WASHER	02	02	
23	0503011443	SPRING WASHER	01	01	
24	0503010026	3/8" NUT	01	01	
25	0502070062	SCRAPER	01	01	
26	0503011402	0.2" X 0.8" SPRING PIN	01	01	

MECANIC ROW MARKER ASSEMBLY



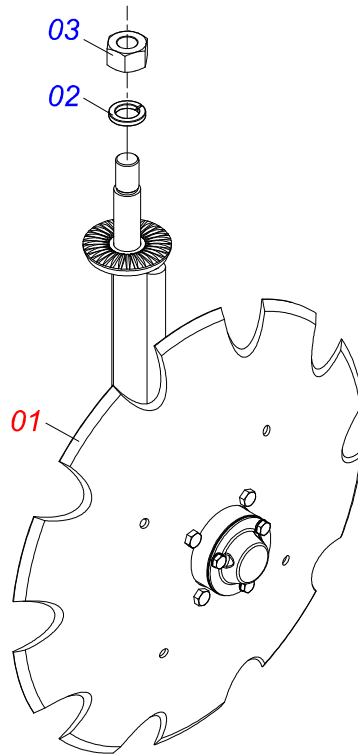
Item	Code	Description	See page	07	09	10	12
00	0501058164	MECANIC ROW MARK		01	00	00	00
00A	0501058169	MECANIC ROW MARK		00	01	00	00
00B	0511050854	MECANIC ROW MARK		00	00	01	00
00C	0511051137	MECANIC ROW MARK		00	00	00	01
01	0511069621	MECANIC ROW MARK SUPPORT		02	02	02	02
02	0503012407	5/8" X 1-1/2" BOLT		08	08	08	08
03	0503012412	HEX SELF ADJUSTING NUT 5/8 UNC S		13	13	13	13
04	0551018204	RIGHT ROW MARKER FIXER		01	01	01	01
05	0551018205	LH ROW MARKER FIXER		01	01	01	01
06	0503010751	C3/8" X 1.1/4" HEX BOLT G.5		06	06	06	06
07	0501010984	FLAT WASHER		12	12	12	12
08	0503010025	3/8 SPRING WASHER		08	08	08	08
09	0503010026	3/8" NUT		08	08	08	08
10	0521010549	COUPLING SHAFT		02	02	02	02
11	0503030168	HAIR PIN		02	02	02	02
12	0511060475	ROW MARKER ARM		01	01	01	01
13	0511060576	LH ROW MARKER ARM		01	01	01	01
14	0503010769	5/8" X 2-1/4" BOLT		04	04	04	04
15	0521010479	SLEEVE ARTICULATION		04	04	04	04
16	0501069643	890 TURNBUCKLE		02	02	02	00
17	0501066949	1235 TURNBUCKLE		00	00	00	02
18	0502010421	SIDE PULLEY		02	02	02	02
19	0521010445	0.53" X 0.75" X 0.45" SLEEVE		02	02	02	02
20	0521010641	COUPLING SHAFT		02	02	02	02
21	0503010140	1/8" X 3/4" COTTERPIN		02	02	02	02
22	0501058197	ROW MARKER PIVOT		01	01	01	01
22A	0501065640	ROW MARKER ROD GUIDE		02	02	02	02
22B	0503010238	1/2" X 1-3/4" BOLT		04	04	04	04
22C	0511017302	FLAT WASHER		06	06	06	06
22D	0503010019	1/2" SPRING WASHER		09	09	09	09
22E	0503010060	1/2" NUT		07	07	07	07



MECANIC ROW MARKER ASSEMBLY

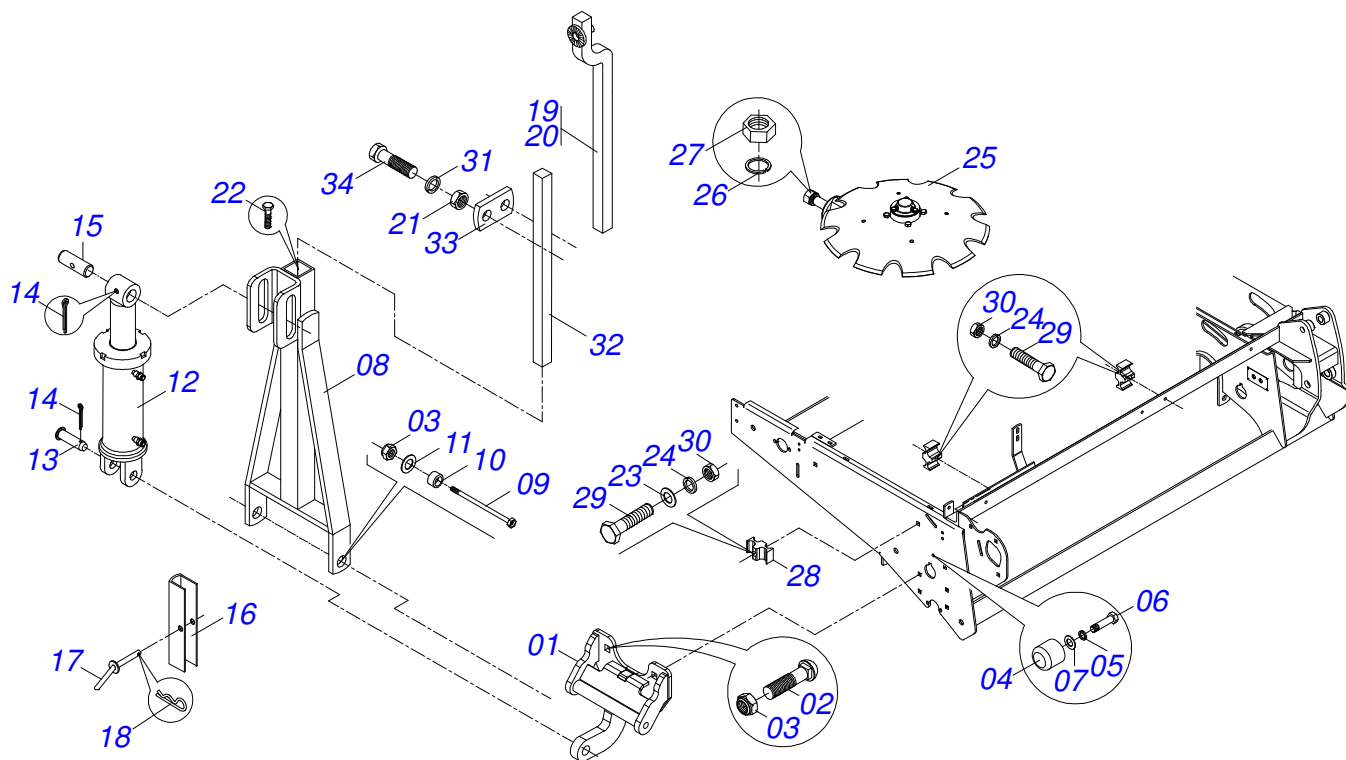
0909093044

Item	Code	Description	See page	07	09	10	12
22F	0501065644	ROW MARKER ARM/DISARMENT ROD		01	01	01	01
22G	0501064229	REGULATOR ARM/DISARMENT ROD		01	01	01	01
22H	0501062547	ROW MARKER BAR REGULATOR		01	01	01	01
22I	0503010395	1/2" X 1-1/4" BOLT		01	01	01	01
22J	0521010454	0.83" X 1.25" X 0.79" SLEEVE		01	01	01	01
22K	0503010734	1/2" X 2-1/2" BOLT		01	01	01	01
22L	0521010539	0.3" X 1.2" COUPLING SHAFT		02	02	02	02
22M	0503010140	1/8" X 3/4" COTTERPIN		02	02	02	02
22N	0521062281	ROW MARK ARM LOCK		02	02	02	02
22O	0503032995	STEEL CABLE		01	01	01	01
22P	0501010096	3/8" X 2" BOLT		02	02	02	02
22Q	0531010415	ROW MARKER ARM/DISARM GUIDE SLLEVE		04	04	04	04
22T	0501065642	ROW MARKER SUPPORT		01	01	01	01
22U	0521010693	PULLEY FIXER PLATE		01	01	01	01
22V	0511011308	BOLT		02	02	02	02
22W	0503010691	1/4" GREASE FITTING		02	02	02	02
22X	0503010232	5/8" X 1.3/4" BOLT		02	02	02	02
22Y	0503010027	SPRING WASHER		02	02	02	02
22Z	0503010013	5/8" NUT		02	02	02	02
23	0502011231	CENTRAL PULLEY		03	03	03	03
24	0503010762	5/8" X 3-12" BOLT		01	01	01	01
25	0503011126	6,4 X 1000 CHAIN		01	00	00	00
25A	0503011128	6,4 X 1400 CHAIN		00	01	00	00
25B	0503016066	6,4 X 1630 CHAIN		00	00	01	00
25C	0503011129	6,4 X 1900 CHAIN		00	00	00	01
26	0502011291	CHAIN SLEEVE		02	02	02	02
27	0503010683	0,2" X 1,2" SPRING PIN		02	02	02	02
28	0551019268	RIGHT COVER PROTECTION		01	00	00	00
28A	0551018206	LEFT COVER ARM/DISARMENT		00	01	00	00
28B	0561018354	RIGHT COVER PROTECTION		00	00	01	00
28C	0551019266	RIGHT PROTECTION COVER		00	00	00	01
29	0551019269	LEFT COVER PROTECTION		01	00	00	00
29A	0551018207	LEFT COVER PROTECTION		00	01	00	00
29B	0561018355	LEFT COVER PROTECTION		00	00	01	00
29C	0551019267	LEFT PROTECTION COVER		00	00	00	01
30	0511017961	1/2" X 1-1/4" REB BOLT		02	02	02	02
31	0501050633	MARKER DISC ASSY LINE	26	02	02	02	02
32	0521013164	PROTRACTOR TURNBUCKLE		00	00	00	02
33	0501011310	FIXER LOCK		00	00	00	08
34	0503010706	1/2" X 4.1/2" BOLT		00	00	00	08
35	0511016156	5/8" X 1.1/2" BOLT		04	04	04	04



Item	Code	Description	See page	QT
01	0511053904	DISC LINE MARKER		01
02	0503010023	SPRING WASHER		01
03	0503010014	3/4" NUT		01

HYDRAULIC ROW MARKER ASSEMBLY



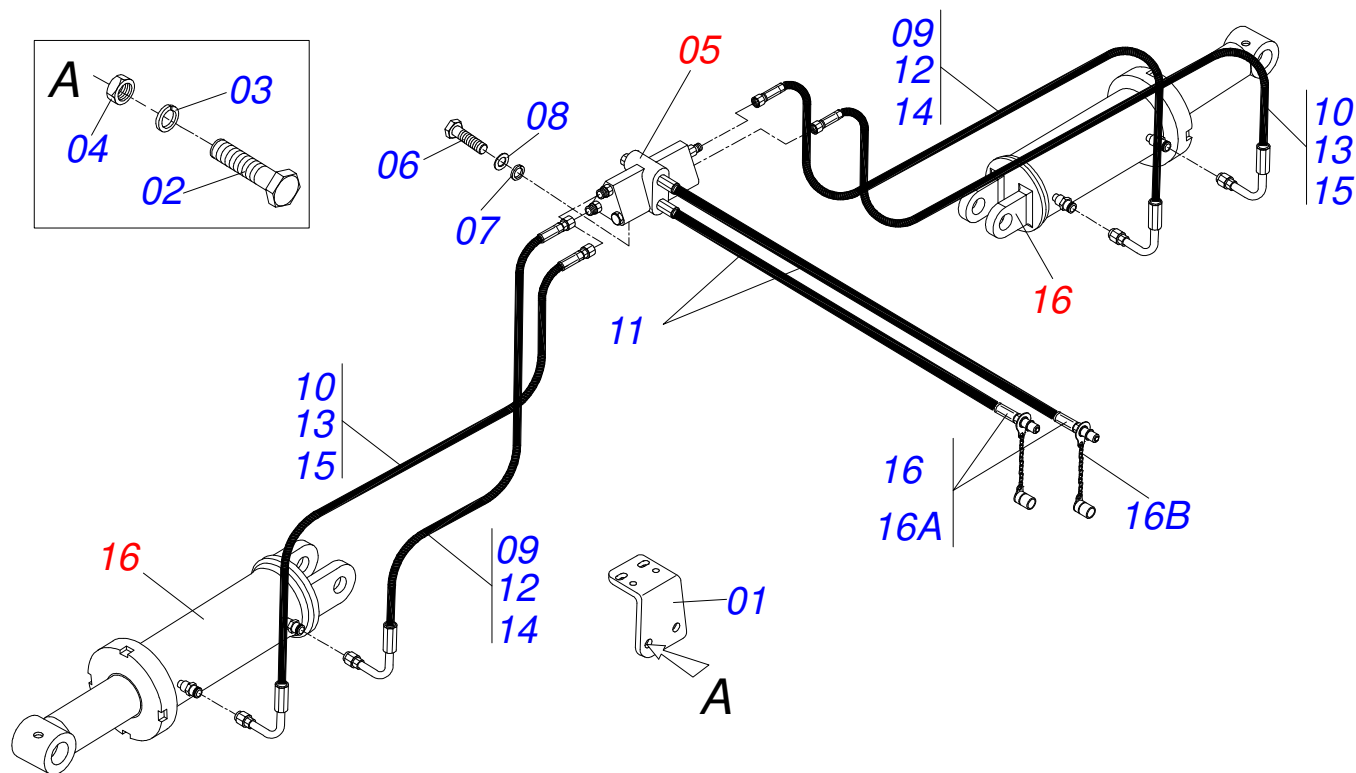
Item	Code	Description	See page	07	08	09	10	11
00	0501058165	7 HYDRAULIC ROW MARKER		01	00	00	00	00
00A	0501058170	9 HYDRAULIC ROW MARKER		00	01	01	00	00
00B	0511050838	HIDRAULIC ROW MARKER ASSY		00	00	00	01	00
00C	0501058172	11 HYDRAULIC ROW MARKER		00	00	00	00	01
01	0511069622	ROW MARKER ARM SUPPORT		02	02	02	02	02
02	0503012699	5/8" X 2" BOLT		08	08	08	08	08
03	0503012412	HEX SELF ADJUSTING NUT 5/8 UNC S		10	10	10	10	10
04	0503011070	BEATER		02	02	02	02	02
05	0503010019	1/2" SPRING WASHER		02	02	02	02	02
06	0503010740	1/2" X 2" BOLT		02	02	02	02	02
07	0551019213	FLAT WASHER		02	02	02	02	02
08	0501069470	ROW MARKER ARM		02	02	02	02	02
09	0521061655	BOLT 5/8 UNC X 320		02	02	02	02	02
10	0521010479	SLEEVE ARTICULATION		04	04	04	04	04
11	0501012140	FLAT WASHER		04	04	04	04	04
12	0511058449	HYDRAULIC CYLINDER		02	02	02	02	02
13	0521010575	C0.9" X 3.3" COUPLING SHAFT		02	02	02	02	02
14	0503010523	1/4" X 2" COTTERPIN		04	04	04	04	04
15	0511015779	1" X 4.2" AXLE		02	02	02	02	02
16	0511017592	11.8" X 1.6" TRANSPORT LOCK		02	02	02	02	02
17	0501068994	0.3" X 3.1" LOCK PIN		02	02	02	02	02
18	0503030168	HAIR PIN		02	02	02	02	02
19	0501069643	890 TURNBUCKLE		02	02	02	02	00
20	0501066949	1235 TURNBUCKLE		00	00	00	00	02
21	0503010060	1/2" NUT		00	00	00	00	08
22	0503010751	C3/8" X 1.1/4" HEX BOLT G.5		02	02	02	02	02
23	0501010984	FLAT WASHER		02	02	02	02	02
24	0503010180	7/16" SPRING WASHER		02	02	02	02	02
25	0501050633	MARKER DISC ASSY LINE	26	02	02	02	02	02
26	0503010023	SPRING WASHER		01	01	01	01	01
27	0503010014	3/4" NUT		01	01	01	01	01



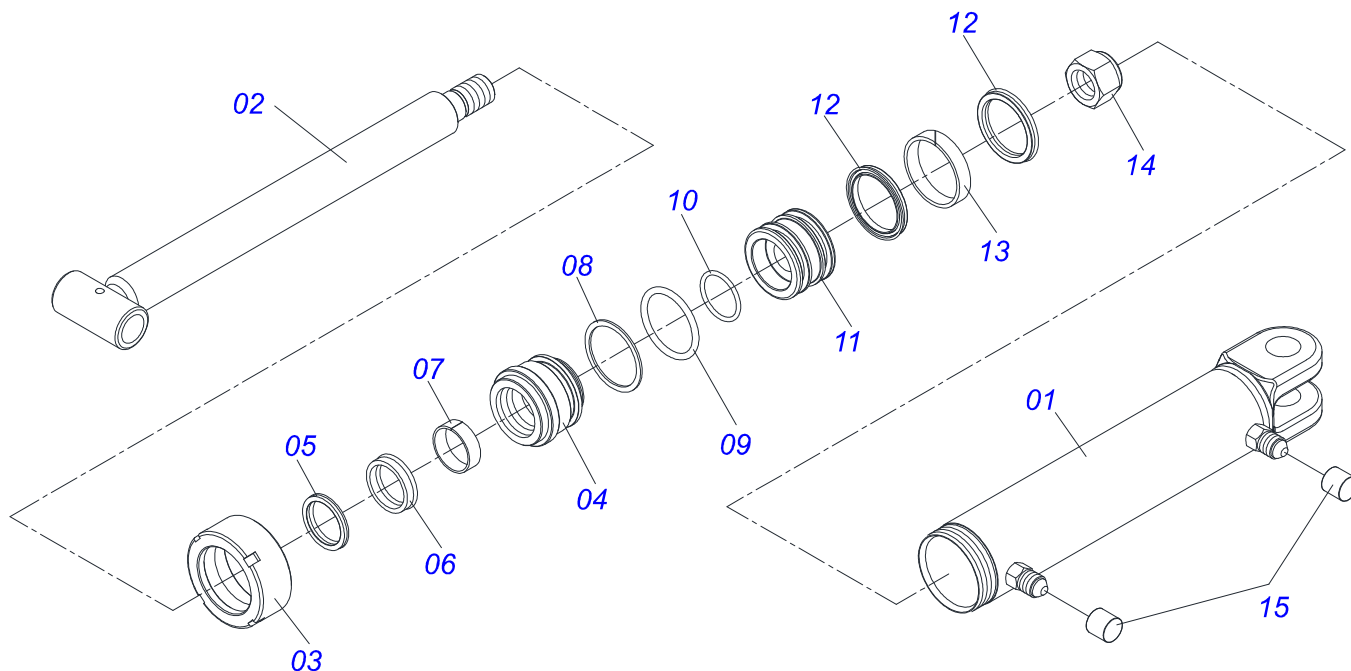
HYDRAULIC ROW MARKER ASSEMBLY

0909093045

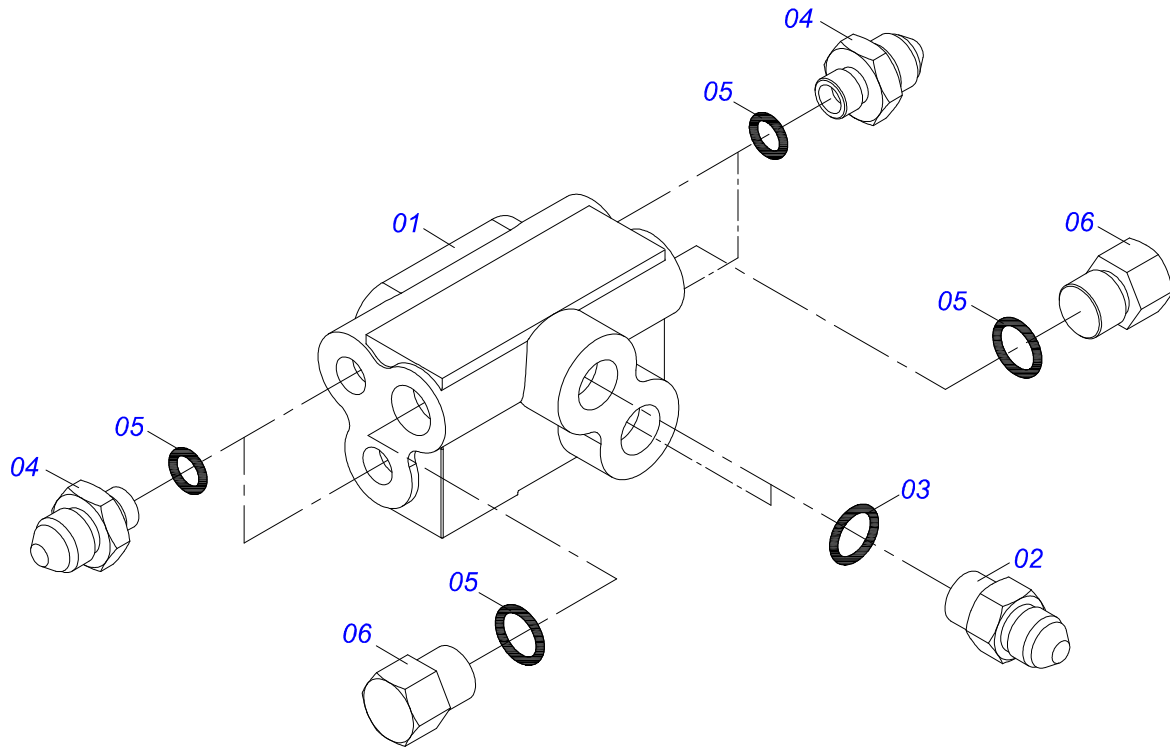
Item	Code	Description	See page	07	08	09	10	11
28	0502012702	BODY SUPPORT CLAMP		04	04	04	04	04
29	0503012555	7/16" X 2" BOLT		04	04	04	04	04
30	0503010244	7/16" NUT		04	04	04	04	04
31	0503010019	1/2" SPRING WASHER		04	04	04	04	04
32	0521013164	PROTRACTOR TURNBUCKLE		00	00	00	00	02
33	0501011310	FIXER LOCK		00	00	00	00	08
34	0503010706	1/2" X 4.1/2" BOLT		00	00	00	00	08



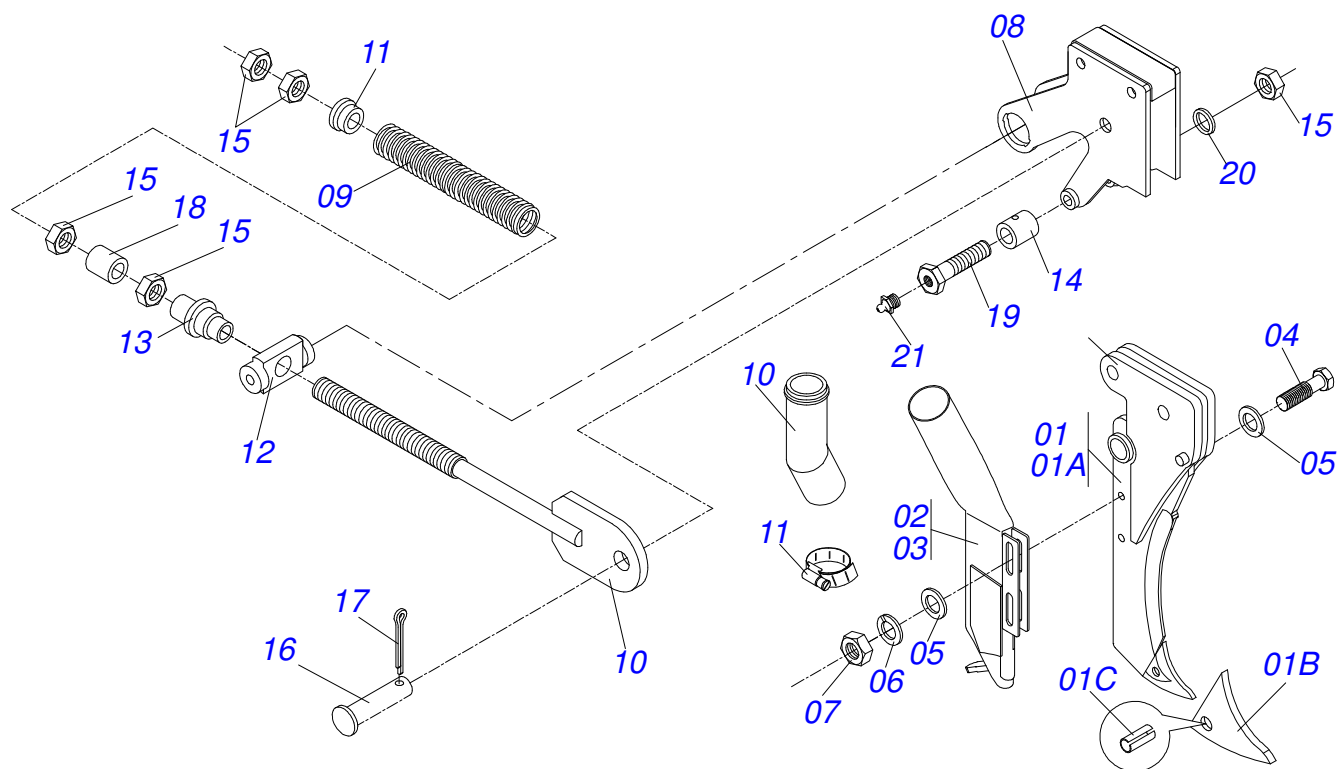
Item	Code	Description	See page	07 09 11
01	0511011311	VALV. SUPPORT		01 01 01
02	0503010232	5/8" X 1.3/4" BOLT		02 02 02
03	0503010027	SPRING WASHER		02 02 02
04	0503010013	5/8" NUT		02 02 02
05	0501054649	SEQUENTIAL VALVE ASSY	30	01 01 01
06	0503010365	NUT		02 02 02
07	0503010179	SPRING WASHER		02 02 02
08	0501010694	FLAT WASHER		02 02 02
09	0501080469	3/8" X 98.42" TR-TR HOSE ASSY		02 00 00
10	0501080401	3/8" X 106" TR-TC HOSE ASSY		02 00 00
11	0501080422	3/8" X 157" TC-TM HOSE ASSY		02 02 02
12	0501080526	3/8" X 114" TR-TC HOSE ASSY		00 02 00
13	0501080447	3/8" X 122" TR-TC HOSE ASSY		00 02 00
14	0501080392	3/8" X 3300 TR-TC HOSE		00 00 02
15	0501080720	3/8" X 137" TR-TC HOSE ASSY		00 00 02
16	0501053834	MALE QUICK COUPLING AGRICULTURAL WITH COVER - 1/2 NPT		02 02 02
16A	0503011627	QUICK CONNECTION (MALE) AGR 1/2 NPT		02 02 02
16B	0503011882	QUICK CONNECTION COVER		02 02 02



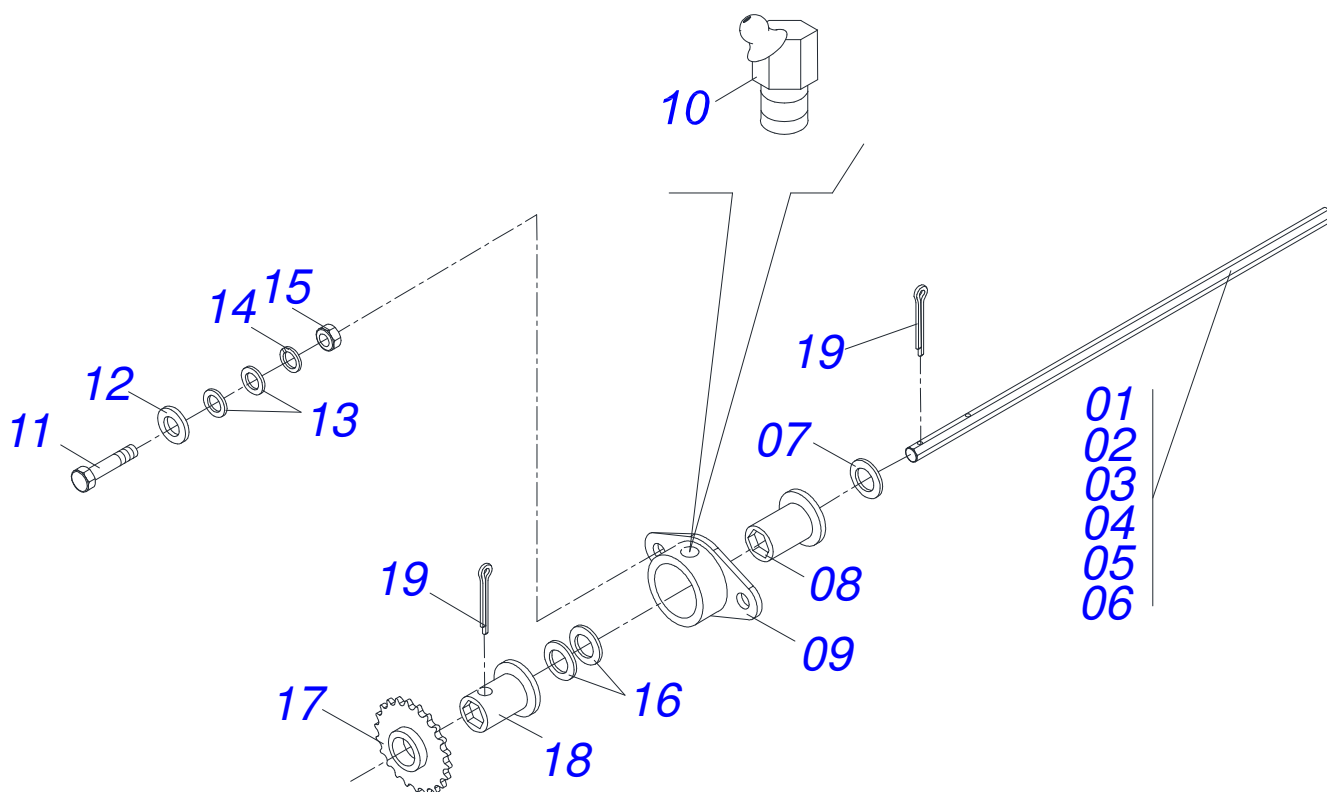
Item	Code	Description	See page	QT
01	0511062810	2.5" X 15"CYLINDER CASE		01
02	0501065662	HYDRAULIC CYLINDER TURNBUCKLE		01
03	0502010471	MOBILE COVER		01
04	0502010780	RING SUPPORT		01
05	0503010163	D-1500 SCRAPER RING		01
06	0503010989	1870-1500-375-B GASKET		01
07	0503010970	W1-1650-500 PK O'RING G.E		01
08	0503011058	8-330 BACK-UP RING		01
09	0503010161	2-330 N 3006 9B O'RING		01
10	0503010285	2-222 N 3006-9B O'RING		01
11	0502010783	1.5" X 2.5" PISTON		01
12	0503010160	2500 2000 GASKET		02
13	0503010973	W2-2500-500 PK O'RING G.E		01
14	0503010063	1" SELF-ALIGNING NUT		01
15	0503030384	CON N-001 PLUG		02
16	0501032666	HYDRAULIC CYLINDER REPAIR KIT		01



Item	Code	Description	See page	QT
01	0503060132	VDFS-002 T SEQUENCEL VALVE		01
02	0501010617	3/4" NIPPLE		02
03	0503010190	2-114 N 3006-9B O'RING		02
04	0501012109	3/4" X 9/16" NIPPLE		04
05	0503011036	2-111 N 3006-9B O'RING		06
06	0531019339	9/16" UNF X 12 PUMP		02



Item	Code	Description	See page	DIR ESQ
00	0511046337	RH FERTILIZER SCARIFIER SPINDLE		01 00
00A	0511046339	FERTILIZER SCARIFIER SPINDLE		00 01
01	0501110558	SCARIFIER SPINDLE W/POINT ASSY		01 01
01A	0511069240	ROD SCARIFIER SPINDLE		01 01
01B	0502070061	POINT SUBSOILER		01 01
01C	0503011373	0.4" X 1.1" SPRING PIN		01 01
02	0511069242	RIGHT ADJUSTMENT CONDUCTOR FERTILIZER		01 00
03	0511069243	LEFT ADJUSTMENT CONDUCTOR FERTILIZER		00 01
04	0503010751	C3/8" X 1.1/4" HEX BOLT G.5		02 02
05	0501010984	FLAT WASHER		04 04
06	0503010025	3/8 SPRING WASHER		02 02
07	0503010026	3/8" NUT		02 02
08	0511069239	SPIDLE DESASSEMBLE		01 01
09	0503031593	SPRING		01 01
10	0511069241	SPRING GUIDE ROD		01 01
11	0521017831	SUPPORT SLEEVE SPACER		01 01
12	0502012496	SPRING ROD ROCKER ARM		01 01
13	0502012500	SPRING ROD LARGER BUSHING		01 01
14	0551017716	SLEEVE 16,5 X 28,58 X 40,0/39,9		01 01
15	0503010013	5/8" NUT		05 05
16	0551017724	PIN 12,7 X 38 PST3		01 01
17	0503010362	1/8" X 1.1/4" COTTERPIN		01 01
18	0551018814	SLEEVE 31,75 X 17 X 40		01 01
19	0551017811	5/8" UNC X 3.1/2" BOLT		01 01
20	0503010027	SPRING WASHER		01 01
21	0503010002	1800 GREASE FITTING		01 01



Item	Code	Description	See page	07	09	11 L.
01	0521013432	5/8" X 59" AXLE HEX		01	00	00
02	0521013428	HEX AXLE		01	00	00
03	0521013433	5/8" X 75" AXLE HEX		00	01	00
04	0521013429	LEFT 5/8" X 50.4" AXLE HEX		00	01	00
05	0521013434	5/8" X 90" HEX AXLE		00	00	01
06	0521013430	5/8" X 101.57" HEX AXLE		00	00	01
07	0511015098	FLAT WASHER		02	02	02
08	0502040723	5/8 HEX AXLE BEARING SLEEVE		00	02	02
09	0501110037	5/8" HEX AXLE LEFT BEARING ASSY		02	00	02
10	0503010003	1845 GREASE FITTING		02	02	02
11	0503010365	NUT		04	04	04
12	0501010984	FLAT WASHER		04	04	04
13	0501010694	FLAT WASHER		08	08	08
14	0503010179	SPRING WASHER		04	04	04
15	0503010337	5/16" NUT		04	04	04
16	0511017305	FLAT WASHER		04	04	04
17	0511065562	20Z GEAR		02	02	02
18	0502011299	BUSHING GEAR		02	02	02
19	0503010010	1/4" X 2.1/2" COTTERPIN		02	02	02



MARCHESAN IMPLEMENTOS E MÁQUINAS AGRÍCOLAS TATU S.A.
AV. Marchesan, 1979 - Post office box, 131 - CEP 15994-900 - Matão - SP - Brazil
Phone +55 16.3382-8282
(FAX Parts) + 55 16.3382. 8297 - (Export) + 55 16.3382.1003
e.mail: tatu@marchesan.com.br www.marchesan.com.br

Technical Publications: Elaboration

JOSÉ DOMINGOS GASPARI

Technical Publications: Revision

JOSÉ DOMINGOS GASPARI

Contact Catálogo:

E-mail = jgaspari@marchesan.com.br

**ORIGINAL PARTS
TATU**

