

**ROTARY CUTTERS**

## RC2 3100 CL CUTRALE

**Code:** 0501090860

**Series:** S-0708

**Revision:** 00

**Date Revision:** ABRIL/1998

# PARTS CATALOGUE



**MARCHESAN**



# PRODUCTS

Code	Description
0104120054	RC2 3100 C/R CL CUTRALE S-0708

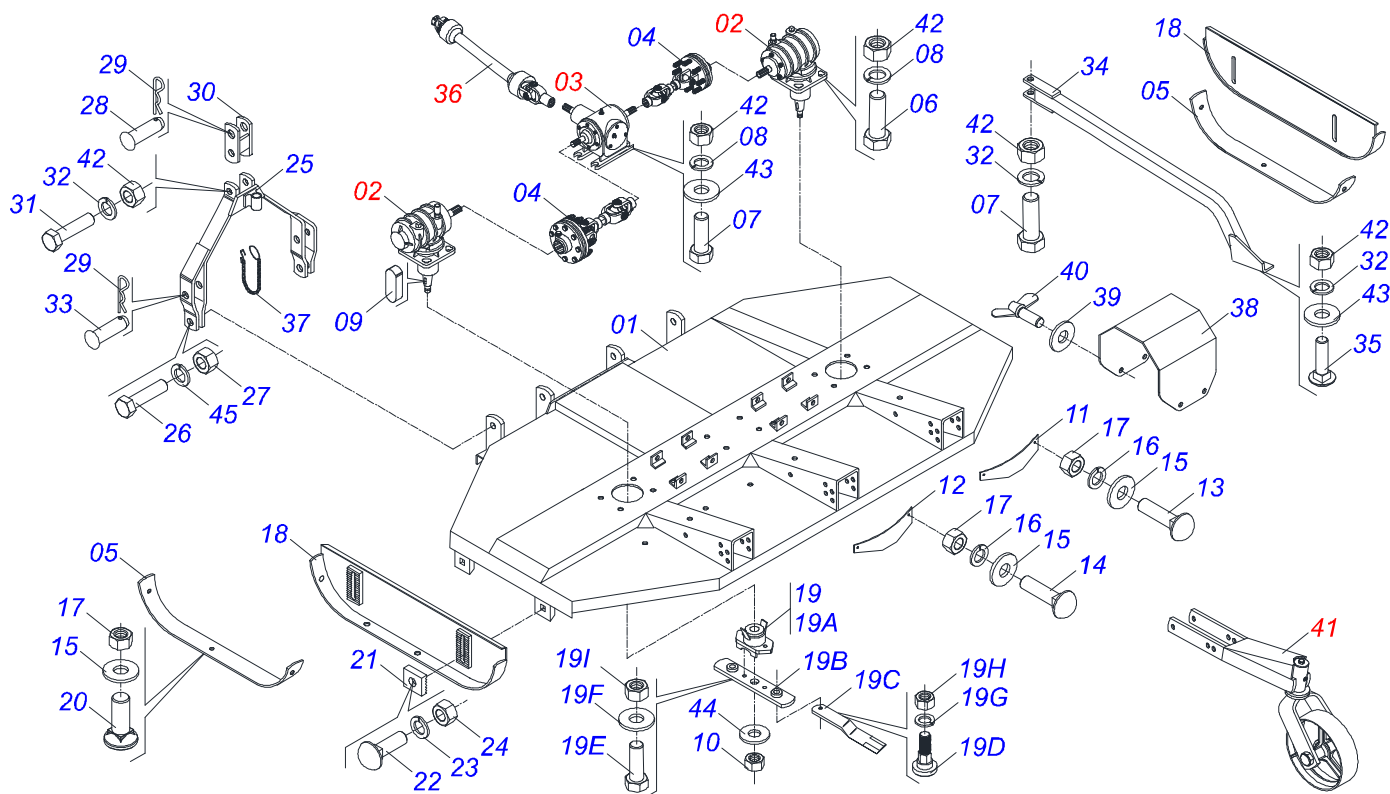
## ATTENTION: IMPORTANT

Marchesan S.A. reserves the right to improve and/or modify the technical features of its products, without obligation to do the same with those products already sold and without prior knowledge of the dealer or the customer. The photos are only illustrative.



# INDEX

0909094014	ASSY FRAME	.....	1
0511042158	RH MULTIPLIER	.....	2
0511041608	DOUBLE DISTRIBUTOR	.....	3
0511047301	CARRYING WHEELS ASSY	.....	4
0511046328	DRIVE SHAFT	.....	5
0511043450	DRIVE SHAFT	.....	6
0501056010	FRICTION CLUTCH	.....	7



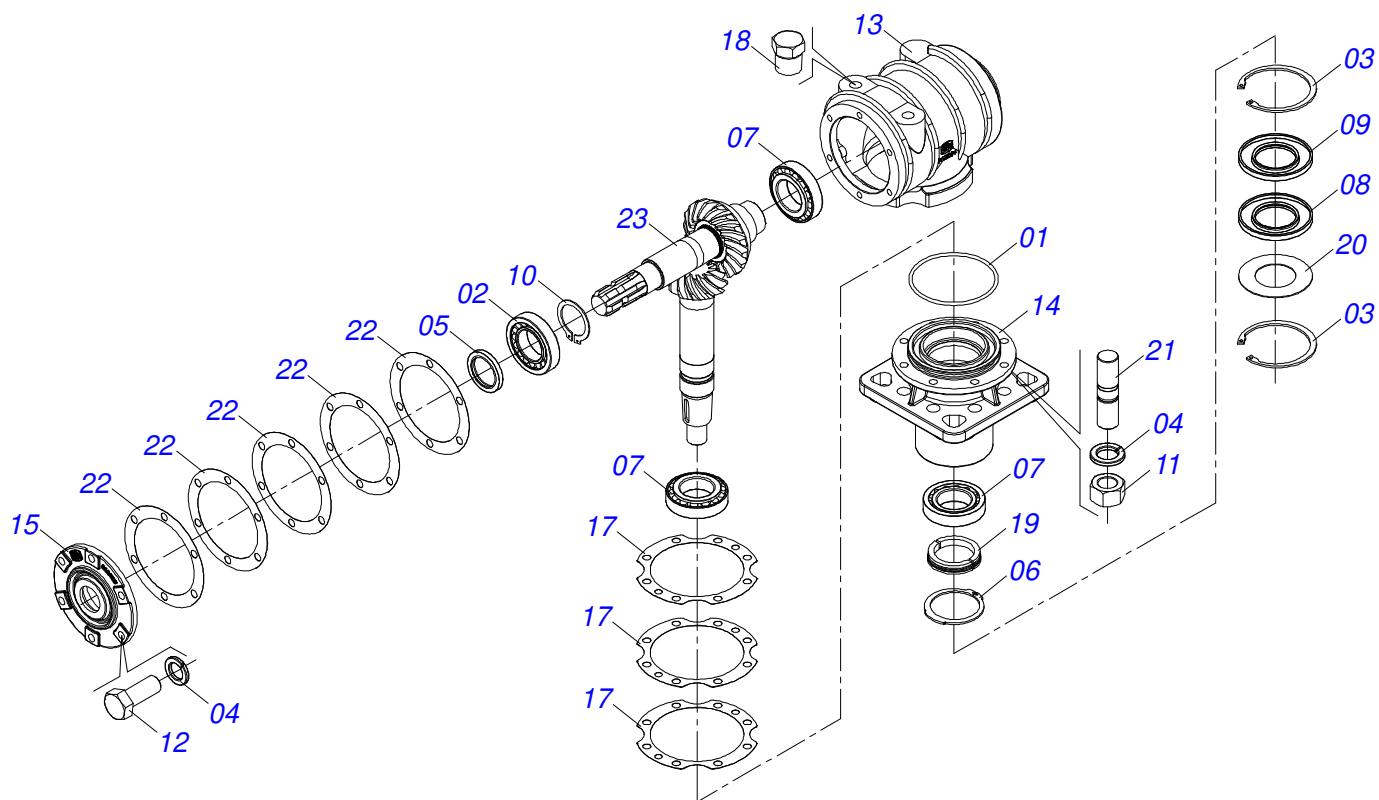
Item	Code	Description	See page	QT
01	0511066373	FRAME RC2 3100 CL S-0205		01
02	0511042158	RH MULTIPLIER	2	02
03	0511041608	DOUBLE DISTRIBUTOR	3	01
04	0511046328	DRIVE SHAFT	5	02
05	0531019436	SKID GUIDE		02
06	0503010797	3/4" X 4" BOLT		08
07	0501010216	3/4 UNC X 4.1/2 C S G.5 ZN BOLT		05
08	0503011442	3/4" SPRING WASHER		12
09	0501010536	KEYWAY SQUARE		04
10	0503010817	1.1/4" SELF LOCKING NUT		02
11	0511019203	37.6" RIGHT PROTECTION		01
12	0511019202	37.6" LEFT PROTECTION		01
13	0501011600	1/2" X 1-1/4" BOLT		02
14	0501010243	1/2" X 1-1/2" BOLT		01
15	0511017302	FLAT WASHER 13,50 X 32,50 X 3,0 ZN		09
16	0503011440	SPRING WASHER		03
17	0503010020	1/2"NUT		09
18	0511064760	930 SKID		02
19	0501058776	RH SUPPORT ASSY		02
19A	0502012453	SUPPORT FLANGE		02
19B	0511069195	ROTARY CUTTER FIXER		02
19C	0622340052	24.5" X 3.94" X 0.5" ROTARY CUTTER		04
19D	0541013328	FASTENER		04
19E	0503010901	3/4UNC 3.1/2 BOLT		04
19F	0501010322	FLAT WASHER		09
19G	0503010012	1" SPRING WASHER		06
19H	0503010063	1" SELF-ALIGNING NUT		04
19I	0503010014	3/4" HEX NUT		23
20	0503012956	1/2" X 1-1/2" BOLT		06
21	0502010083	SQUARE WASHER		04
22	0501014177	5/8" X 2-1/2" BOLT		04



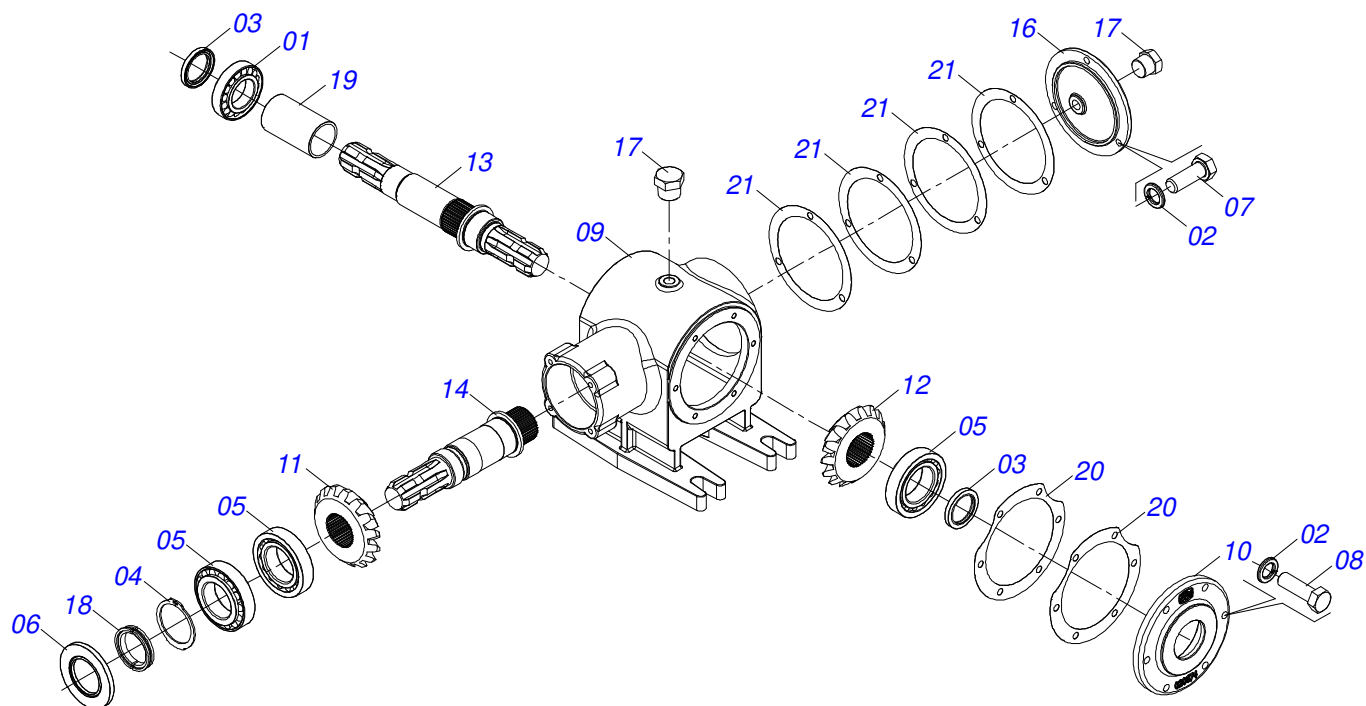
RC2 3100 CL CUTRALE  
ASSY FRAME

Page 1  
0909094014

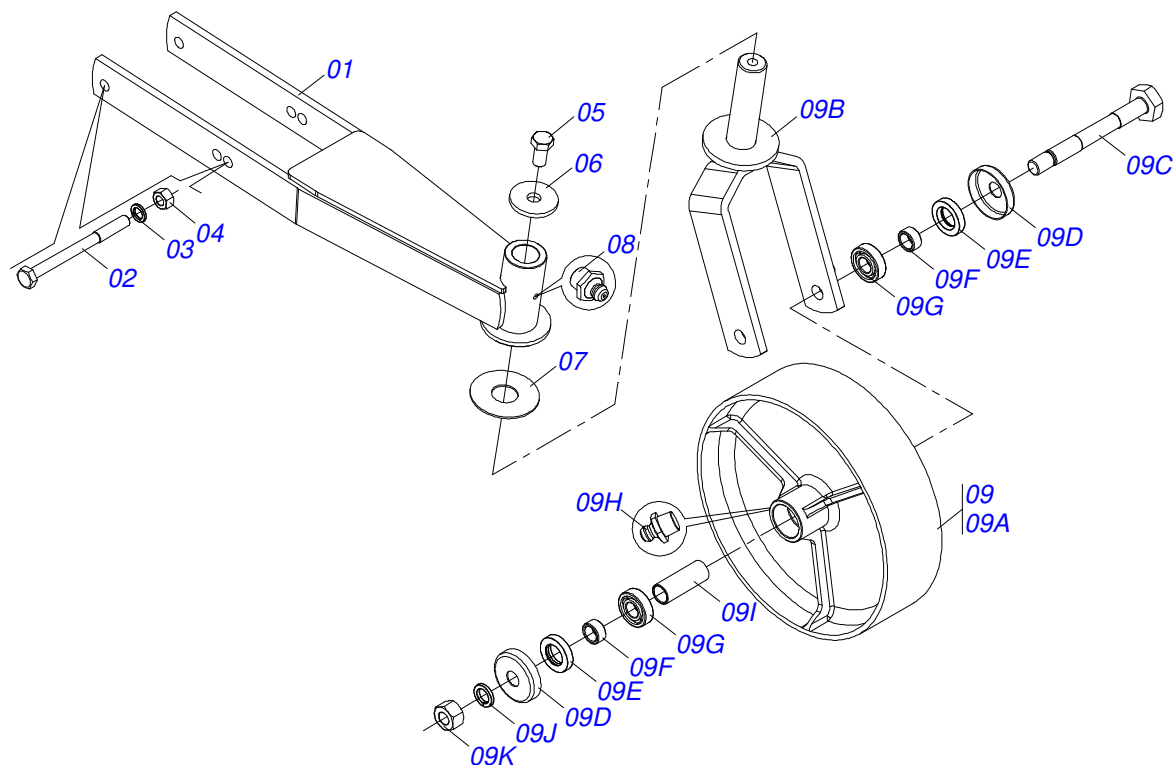
Item	Code	Description	See page	QT
23	0503010027	5/8 SPRING WASHER		04
24	0503010013	5/8 NUT		04
25	0501066446	DRAWBAR		01
26	0501010171	BOLT 1 UNC X 3.1/2 C S G.5		02
27	0501010059	1.5/8 NUT		02
28	0521010596	COUPLING SHAFT		02
29	0503031035	HITCH PIN CLIP		03
30	0501066445	PIVOT DOUBLE BAR		01
31	0503011198	C3/4" X 6" SCREW		01
32	0503010023	3/4" SPRING WASHER		03
33	0521010578	COUPLING SHAFT		01
34	0501067540	FRENCH HAND		01
35	0501017305	3/4" X 2-1/4" BOLT		01
36	0511043450	DRIVE SHAFT	6	01
37	0503011981	17.7" CHAIN WITH HOOK/LINK		01
38	0541015842	PROTECTION COVER		02
39	0501010984	10,50 X 27 X 3,00 FLAT WASHER		08
40	0503012904	3/8" BUTTERFLY BOLT		08
41	0511047301	CARRYING WHEELS ASSY	4	02
42	0503010014	3/4" HEX NUT		01
43	0501010322	FLAT WASHER		04
44	0501017779	32 X 60 X 4.75 FLAT WASHER		01
45	0503010012	1" SPRING WASHER		02



Item	Code	Description	See page	QT
01	0503010286	2-355 N 3006-9B O'RING		01
02	0503010750	30209 BALL BEARING		01
03	0503011420	502100 CLAMPING RING (FOR AXLE)		02
04	0503011440	SPRING WASHER		14
05	0503012103	5301 -BSEAL		01
06	0503012311	501065 RENO RING		01
07	0503012418	32211 ROLLER BEARING		03
08	0503013201	ARCA 6016 BRG SEAL		01
09	0503013211	6016 BRG SEAL		01
10	0503014772	501056 CLAMPING RING (FOR AXLE)		01
11	0503810028	NUT 1/2 NF SA		08
12	0503810395	SCREW 1/2 UNC X 1.1/4 CSRT G.5 SA		06
13	0502012204	RIGHT SPEED MULTIPLER BOX		01
14	0502012206	LOWER HUB		01
15	0502012203	RH COVER MULTIPLIER		01
16	3402301247	MINERAL OIL GREASE		2,85Lts
17	0503030785	7.9" X 5.9" X 0.008" JOINT		03
18	0503031604	1/2" BSP PLUG		02
19	0531019302	LOCK RING		01
20	0531818823	FLAT WASHER 55.20 X99,80 X1,50 SA		01
21	0503830084	PRISONER 1/2 UNC X 1/2 UNF X 50 SA		08
22	0503030783	7.1" X 5.3" X 0.008" JOINT		05
23	0503061696	CROWN PINION SET 12Z 12Z AXLE RIGHT		01

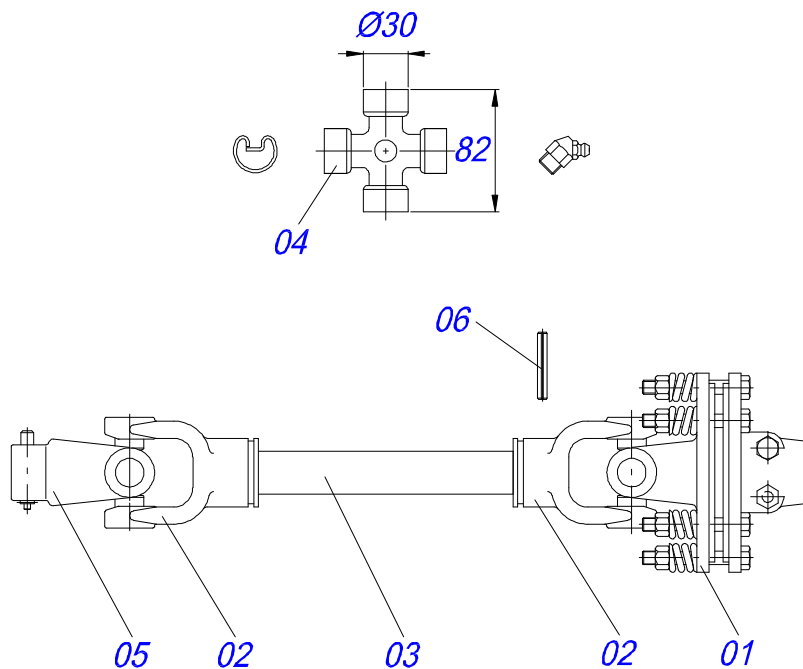


Item	Code	Description	See page	QT
01	0503010750	30209 BALL BEARING		01
02	0503011443	3/8" SPRING WASHER		09
03	0503012103	5301 -BSEAL		02
04	0503012311	501065 RENO RING		01
05	0503012418	32211 ROLLER BEARING		03
06	0503013201	ARCA 6016 BRG SEAL		01
07	0503810237	3/8 UNC X 1 C S G.5 SA BOLT		03
08	0503810751	3/8 UNC X 1.1/4 C S G.5 - SCREW		06
09	0502012178	DOUBLE DISTRIBUTOR BOX		01
10	0502020674	DISTRIBUTOR DOUBLE COVER		01
11	0503033139	RIGHT 15Z CONICAL GEAR		01
12	0503033140	15Z LEFT CONICAL GEAR		01
13	0503033141	LARGER AXLE		01
14	0503033142	SMALLER AXLE S-0503 EG-1935		01
15	3402301247	MINERAL OIL GREASE		2,0Lts
16	0502020160	COVER WITH DOUBLE DISTRIBUTOR		01
17	0503010856	OIL PLUG		02
18	0531019302	LOCK RING		01
19	0551018078	SLEEVE FLANGE BALL BEARING		01
20	0503030228	7.1" X 5.3" X 0.008" JOINT		02
21	0503030341	6.4" X 0.008" JOINT		04

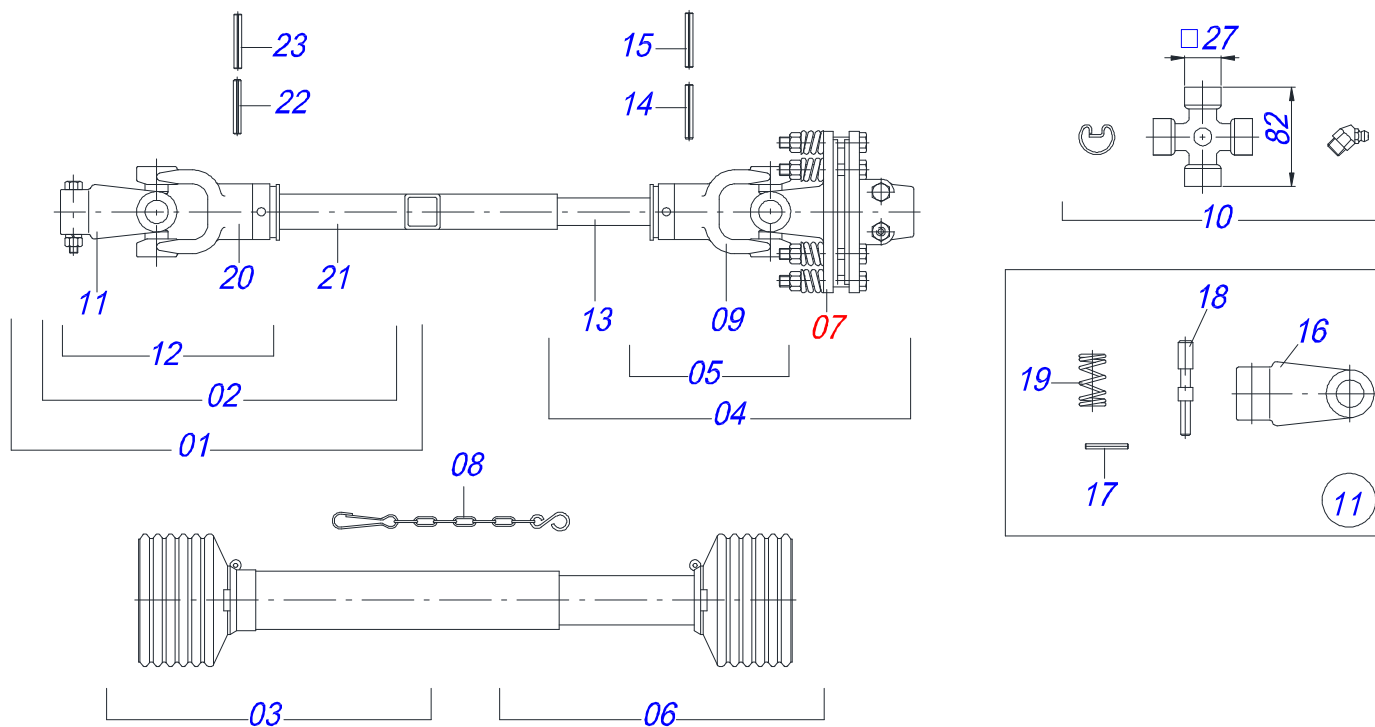


Item	Code	Description	See page	QT
01	0521065281	WHEEL SUPPORT		01
02	0503010795	5/8" X 7" BOLT		02
03	0503010027	5/8 SPRING WASHER		02
04	0503010013	5/8 NUT		02
05	0503010962	5/8" X 1-1/4" BOLT		01
06	0511010721	FLAT WASHER		01
07	0511013239	FLAT WASHER		01
08	0503010002	1800 GREASE FITTING		01
09	0501058460	CARRYING WHEELS		01
09A	0502012519	350 X 100 WHEEL		01
09B	0501065266	WHELL FORK		01
09C	0501017143	WHEEL AXLE		01
09D	0511014254	DUST CLOAK		02
09E	0503010268	00262-B SEAL		02
09F	0521010487	SPACER WASHER		02
09G	0503010269	6204 BALL BEARING		02
09H	0503010002	1800 GREASE FITTING		01
09I	0521010460	0.9" X 1.1" X 2.9" SLEEVE		01
09J	0503011442	3/4" SPRING WASHER		01
09K	0503010014	3/4" HEX NUT		01

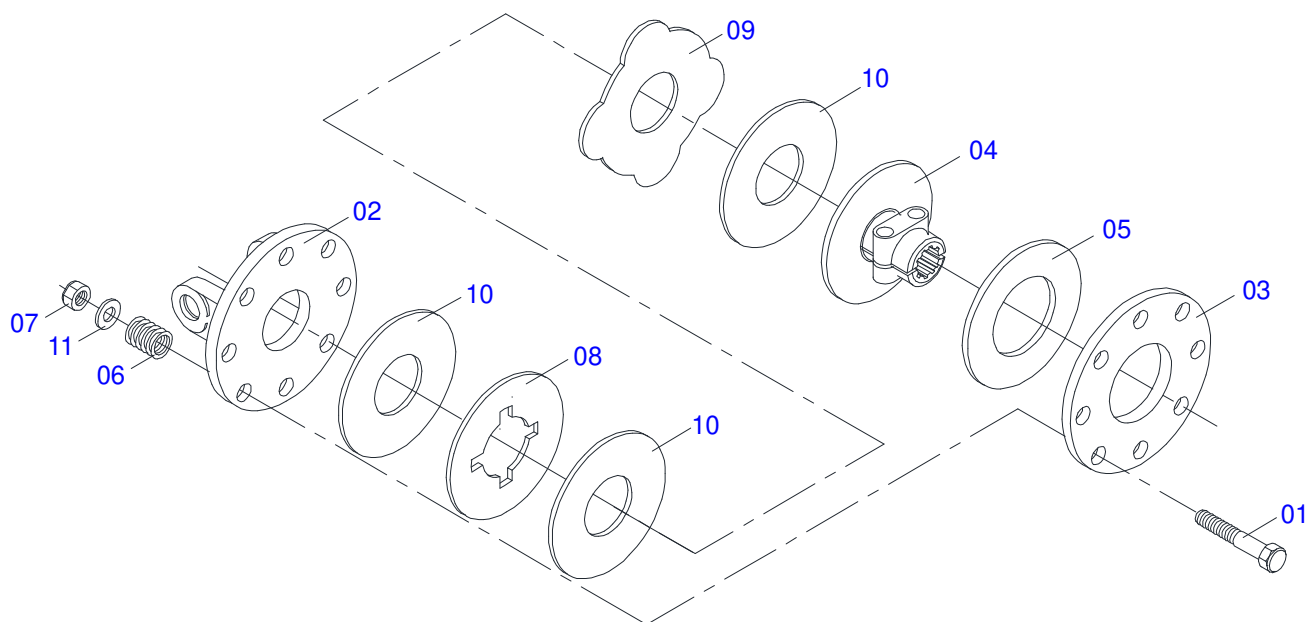




Item	Code	Description	See page
01	0503015156	FRICION ASSY	01
02	0503015160	STRIATED TERMINAL	02
03	0503015158	STRIATED AXLE	01
04	0503015157	CROSSPIECE	02
05	0503015155	STRIATED TERMINAL	01
06	0503015159	10 X 65 SPRING PIN	01



Item	Code	Description	See page	QT
01	0501056228	PROT/SLEEVE UNIVERSAL JOINT		01
02	0501056227	UNIVERSAL JOINT WITH SLEEVE		01
03	0503013619	PROTECTION FOR UNIV JOINT AND SLEEVE		01
04	0501056229	UNIVERSAL JOINT WITH AXLE/PROT		01
05	0501056226	UNIVERSAL JOINT WITH SHAFT		01
06	0503013620	PROTECTION FOR UNIV JOINT AND AXLE		01
07	0501056010	FRICITION CLUTCH	7	01
08	0503012023	CHAIN FOR PROTECTION		02
09	0502010571	3-60 TERMINAL W/ SH 1.43"/1.43"		02
10	0503010837	CARDAN CROSSPIECE		01
11	0501056223	TERM 1-60 C/CANAL CC50		01
12	0501056225	UNIVERSAL JOINT		01
13	0541016743	36,51 X 800 SQUARE SHAFT		01
14	0503011069	0.4" X 2.8" SPRING PIN		01
15	0503011805	0.2" X 2.8" SPRING PIN		01
16	0502011421	1-60 TERMINAL		01
17	0503010838	0.1" X 0.8" SPRING PIN		01
18	0521010638	13,70 X 78 HITCH PIN		01
19	0503030518	0.5"X1.0"X 0.1" COMPRESSION SPRING		01
20	0502010570	2-60 TERMINAL W/ SH 1.8"/1.8"		01
21	0541016742	45,3 X Q37,2 SQUARE SLEEVE		01
22	0503010843	0.4" X 3.3" SPRING PIN		01
23	0503011878	0.2" X 3.3" SPRING PIN		01



Item	Code	Description	See page	QT
01	0503013564	FRICTION BOLT		08
02	0503013554	FLANGE		01
03	0503013557	COUPLING DISC		01
04	0503013556	CENTRAL CORE		01
05	0503013555	FRICTION DISC		01
06	0503013558	FRICTION SPRING		08
07	0503013559	FRICTION NUT		08
08	0503013561	NOTCHED DISC		01
09	0503013560	INTERMEDIATE DISC		01
10	0503013562	FRICTION DISC		03
11	0503013563	FRICTION WASHER		08





**MARCHESAN**

**Technical Publications | Elaboration and Revision**

ALESSANDRA PATRICIA KAWAHARA CARRILI

[www.marchesan.com.br](http://www.marchesan.com.br)

