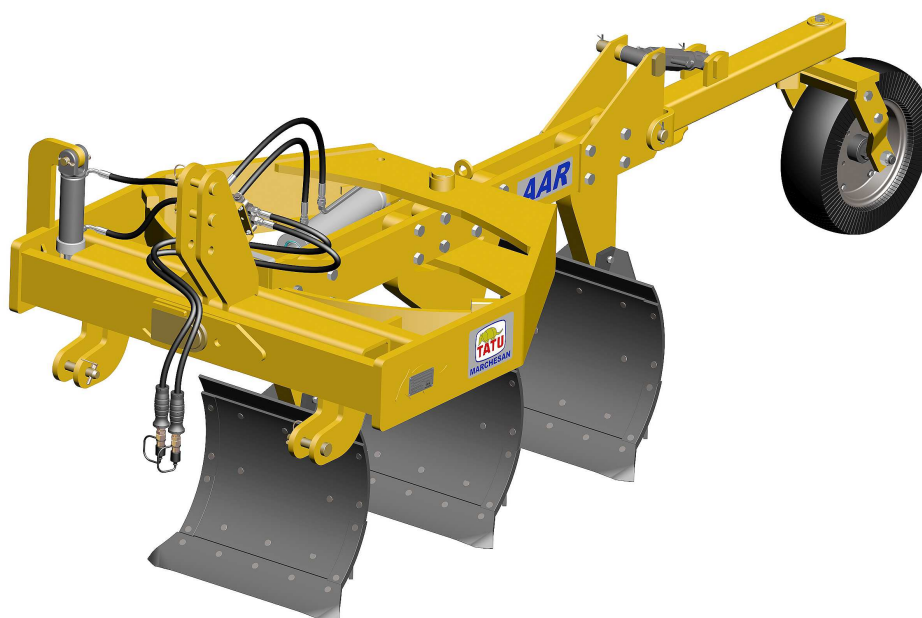


PARTS CATALOG

**DISK PLOW/MOLDBOARD
PLOW/TERRACING PLOW**

AAR/AARL - 3/4/5 MOLDBOARD

Code: 0501090851



Series: S-0792

Rev.: 00

Date Rev.: ABRIL/2018

**ORIGINAL PARTS
TATU**



PRODUCTS

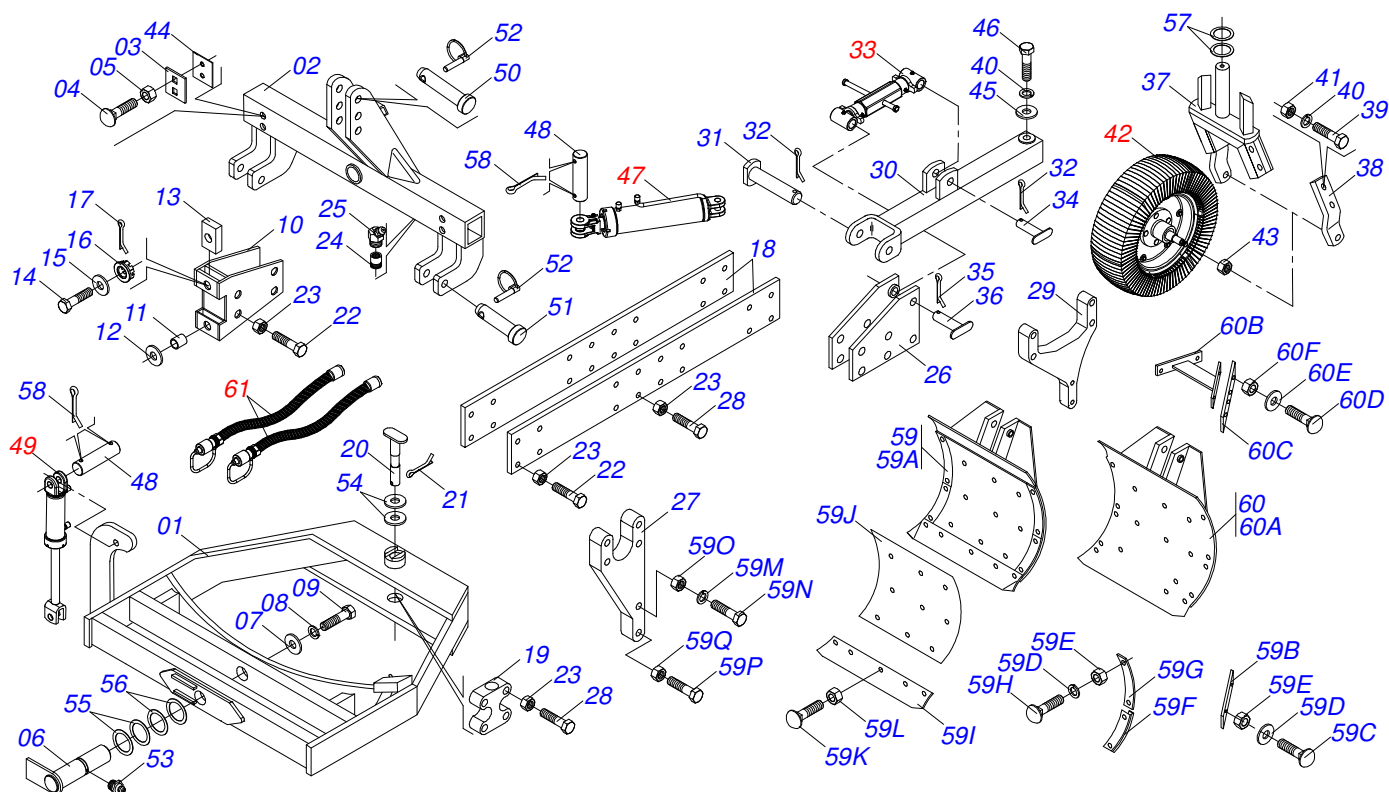
Code	Description	
0101100065	AAR 3	S-0792
0101100125	AAR 3 KE	S-0792
0101100049	AAR 4	S-0792
0101100049C	AAR 4 EXP	S-0792
0101100127	AAR 4 S/RODA	S-0792
0101100050	AAR 5	S-0792
0101100129	AAR 5 S/RODA	S-0792
0101100063	AARL 3	S-0792
0101100064	AARL 4	S-0792

ATTENTION: **IMPORTANT**

MARCHESAN S/A RESERVES THE RIGHT AT ANY TIME TO MAKE IMPROVEMENTS IN THE DESIGN, MATERIAL OR SPECIFICATIONS OF MACHINERY, EQUIPMENT OR PARTS WITHOUT THEREBY BECOMING LIABLE TO MAKE SIMILAR CHANGES IN MACHINERY, EQUIPMENT OR PARTS PREVIOUSLY SOLD.

INDEX

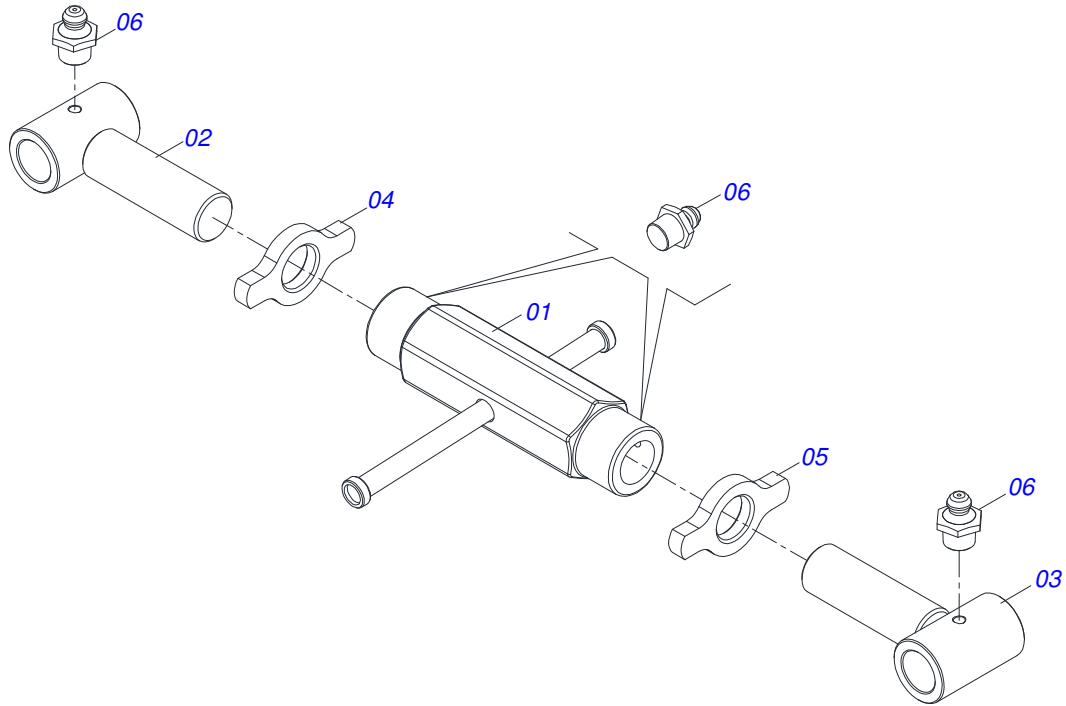
0909090059	AAR - 3/4/5 MOLDBOARD	1
0501047699	ESTABILIZER WITH BUSHING ASSY	2
0501051762	STUB SHAFT HUB ASSY	3
0501051761	STUB SHAFT HUB ASSY	4
0501043559	SEGMENTED WHEEL 525	5
0511058447	44,45 X 85,73 X 628 X 330 HYDRAULIC CYLINDER	6
0511058420	50,80 X 101,60 X 625 X 330 HYDRAULIC CYLINDER	7
0511058581	38,10 X 63,50 X 360 X 126 HYDRAULIC CYLINDER	8
0909093919	HYDRAULIC CIRCUIT	9
0501044080	RETAINING VALVE	10
0501053834	MALE QUICK COUPLING AGRICULTURAL WITH COVER - 1/2 NPT	11
0501054957	SPARE PARTS	12



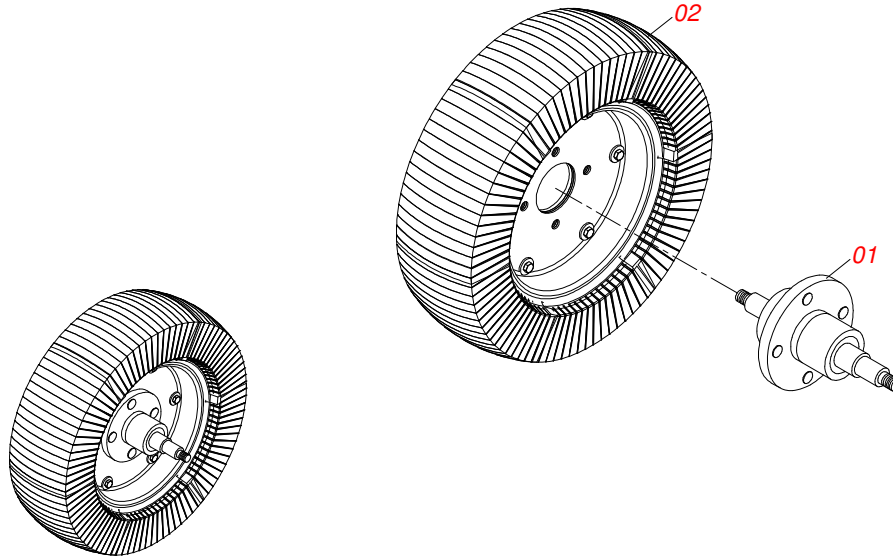
Item	Code	Description	See page	003	004	005
01	0501065738	DRAWBAR		001	001	001
01.	0501065739	DRAWBAR		001	001	001
02	0501065741	HITCH BAR		001	001	001
03	0511011591	4.0" X 4.0" PLATE		004	004	004
04	0501811963	BOLT 7/16UNC X 1.1/2 CEPQ G.5 SA		008	008	008
05	0503010244	7/16" NUT		008	008	008
06	0501067264	AXLE DRAWBAR		001	001	001
07	0511013244	FLAT WASHER		001	001	001
08	0503011438	SPRING WASHER		001	001	001
09	0511014869	1" X 2" WITH HOLE BOLT		001	001	001
10	0501066706	FRAME BODY GUIDE		001	001	001
11	0521010465	1.3" X 1.7" X 1.3" SLEEVE		002	002	002
12	0511013343	PULLEY		001	001	001
13	0511015677	UPPER SUPPORT BASE		001	001	001
14	0511014503	1-1/4" X 92 BOLT		002	002	002
15	0501010086	FLAT WASHER		002	002	002
16	0503011052	1.1/4" X 0.77" CASTLE NUT		002	002	002
17	0503010131	3/16" X 1-1/2" COTTERPIN		002	002	002
18	0511011811	FRAME BODY		002	000	000
18.	0511011128	FRAME BODY		000	002	000
18..	0511011810	FRAME BODY		000	000	002
19	0511011779	CENTRAL BEARING		001	001	001
20	0511011574	CENTRAL AXLE		001	001	001
21	0503010073	3/8 X 3-1/2 COTTERPIN		001	001	001
22	0503011121	7/8" X 7" BOLT		008	008	008
23	0503011125	SELF ADJUSTING 7/8" UNC NUT		024	024	024
24	0511012189	EXTENSION GREASE FITTING		001	001	001
25	0503010003	1845 GREASE FITTING		002	001	001
26	0501067266	SUPPORT ADJUSTING WHEEL		001	001	001
27	0511011096	BRACKET		002	003	004
28	0503011120	7/8" X 6-1/2" BOLT		012	012	016



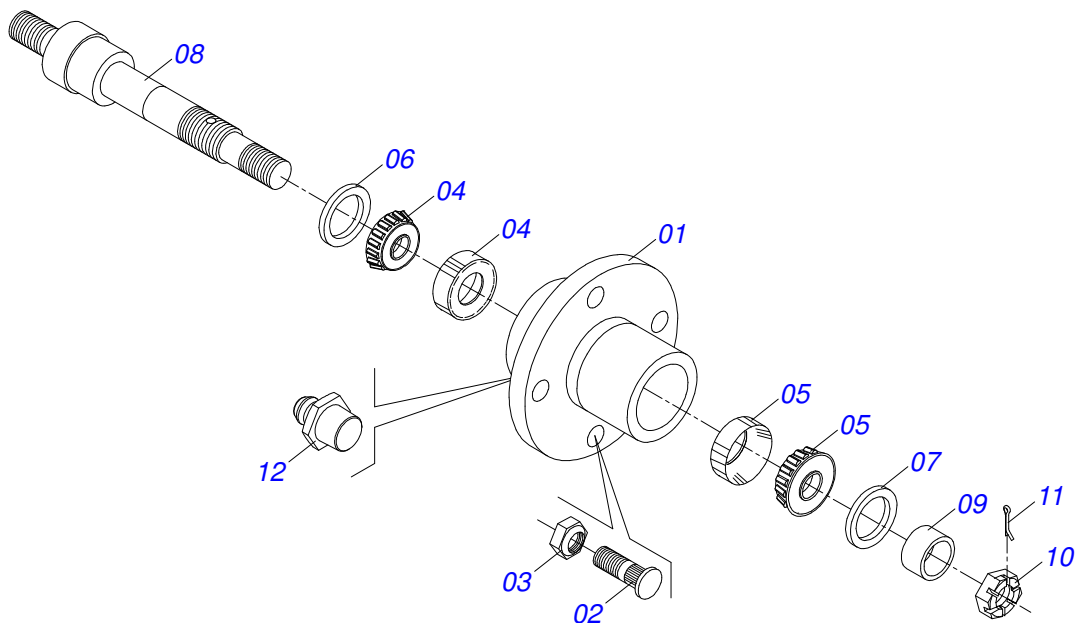
Item	Code	Description	See page	003	004	005
29	0511011097	INNER PLOUGH SUPPORT BODY		001	001	001
30	0501067265	SUPPORT ARTICULACION WHEEL		001	001	001
31	0521010644	1.5" X 8.4" COUPLING SHAFT		001	001	001
32	0503010010	1/4" X 2.1/2" COTTERPIN		002	002	002
33	0501047699	ESTABILIZER WITH BUSHING ASSY	2	001	001	001
34	0511016179	1.2" X 5.5" COUPLING SHAFT		001	001	001
35	0503010571	1/4" X 1.1/2 COTTERPIN		002	002	002
36	0511016180	1.2" X 6.5" COUPLING SHAFT		001	001	001
37	0501067267	WHEEL FORK		001	001	001
38	0511011785	WHEEL FORK ARM		001	001	001
39	0501010125	3/4" X 2-1/2" BOLT		002	002	002
40	0503011442	3/4" SPRING WASHER		003	003	003
41	0503010014	3/4" NUT		002	002	002
42	0501051762	STUB SHAFT HUB ASSY	3	001	001	001
43	0503010063	1" SELF-ALIGNING NUT		002	002	002
44	0541017537	PLATE REGULATION		006	006	006
45	0511016162	FLAT WASHER		001	001	001
46	0501011544	3/4" X 1-1/2" BOLT		001	001	001
47	0511058447	44,45 X 85,73 X 628 X 330 HYDRAULIC CYLINDER	6	001	000	000
47.	0511058420	50,80 X 101,60 X 625 X 330 HYDRAULIC CYLINDER	7	000	001	001
48	0521010777	0.9" X 3.7" COUPLING SHAFT		004	004	004
49	0511058581	38,10 X 63,50 X 360 X 126 HYDRAULIC CYLINDER	8	001	001	001
50	0521010498	0.9" X 5.1" COUPLING SHAFT		001	001	001
51	0521010629	1.1" X 5.1" COUPLING SHAFT		002	002	002
52	0503030430	7/16 X 2" PIN LOCK		003	003	003
53	0503010002	1800 GREASE FITTING		002	002	002
54	0531818212	51,50 X 87 X 3,00 FLAT WASHER		002	002	002
55	0531815317	81,50X110X3,00 STA SA FLAT WASHER		002	002	002
56	0531815318	81,50X110X1,90 FLAT WASHER		002	002	002
57	0521015342	WASHER SPACER		002	002	002
58	0503010571	1/4" X 1.1/2 COTTERPIN		008	008	008
59	0501044078	CENTRAL FRONT SIMETRICAL MOLDBOARD		002	003	004
59A	0501065415	MOLDBOARD (AAR)		001	001	001
59B	0511011175	SMALLER MOLDBOARD GUIDES		002	002	002
59C	0503011199	7/16" X 1-1/2" BOLT		004	004	004
59D	0501012803	FLAT WASHER		025	025	025
59E	0503010244	7/16" NUT		025	025	025
59F	0502070060	LOWER BAR STOP MOLDBOARD		002	002	002
59G	0511011126	UPPER BAR STOP MOLDBOARD		002	002	002
59H	0503811426	BOLT		016	016	016
59I	0622380002	SHEAR POINT		001	001	001
59J	0511011127	PLASTIC LINING		001	001	001
59K	0503010773	7/16" X 1-3/4" BOLT		005	005	005
59L	0503010244	7/16" NUT		005	005	005
59M	0503011440	SPRING WASHER		001	001	001
59N	0511013017	1/2" X 5-1/2" BOLT		001	001	001
59O	0503010060	1/2" NUT		001	001	001
59P	0503011118	7/8" X 5-1/2" BOLT		001	001	001
59Q	0503011125	SELF ADJUSTING 7/8" UNC NUT		001	001	001
60	0501044079	REAR MOLDBOARD ASSY		001	001	001
60A	0501065415	MOLDBOARD (AAR)		001	001	001
60B	0501065737	REAR SUPPORT GUIDE		001	001	001
60C	0511011801	LARGER MOLDBOARD GUIDES		002	002	002
60D	0503010773	7/16" X 1-3/4" BOLT		004	004	004
60E	0501012803	FLAT WASHER		004	004	004
60F	0503010244	7/16" NUT		004	004	004
61	0909093919	HYDRAULIC CIRCUIT	9	001	001	001



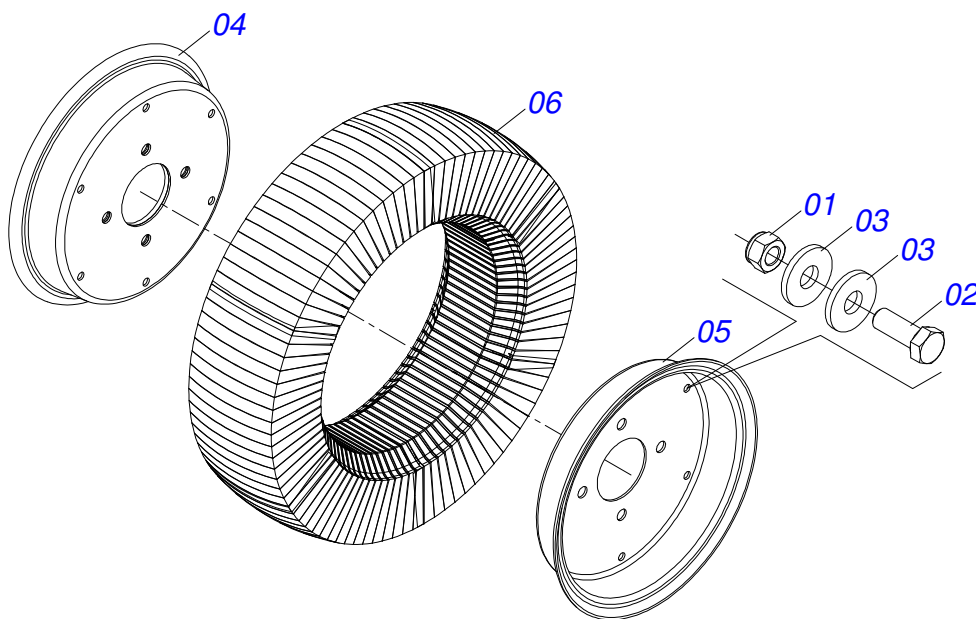
Item	Code	Description	See page	QT
01	0501110262	245 ADJUSTMENT NUT		01
02	0501064001	RIGHT JACK CRANK		01
03	0501064002	LEFT JACK CRANK		01
04	0541018672	COUNTERNUT		01
05	0541018673	COUNTERNUT		01
06	0503010002	1800 GREASE FITTING		04



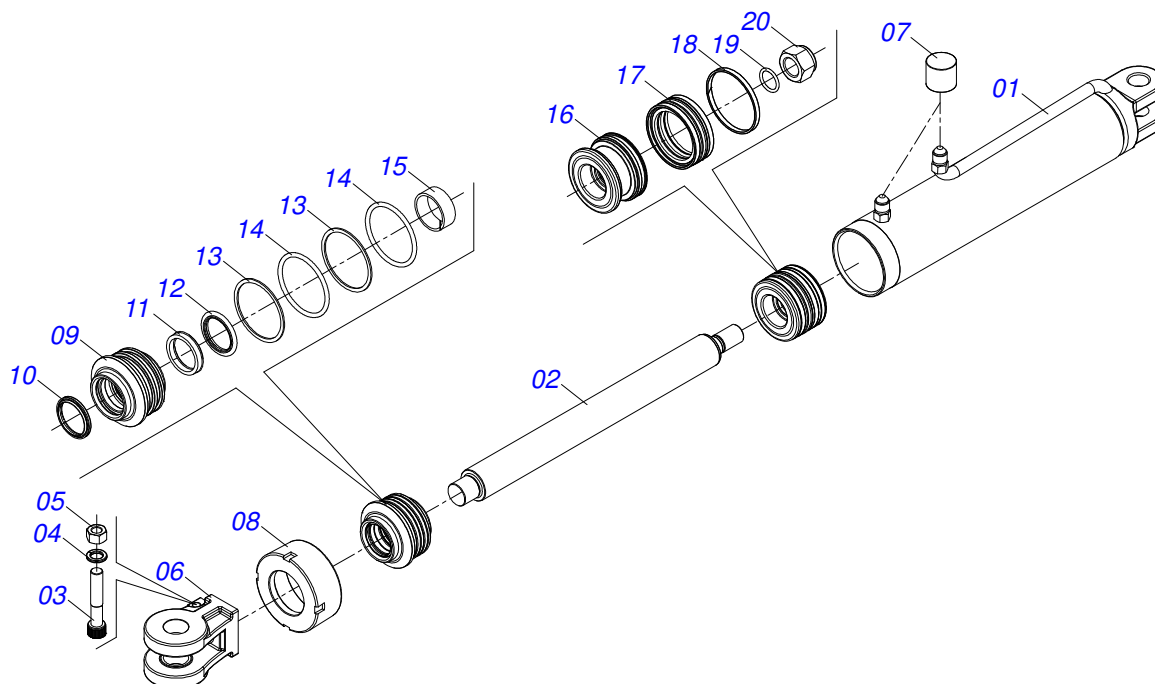
Item	Code	Description	See page	QT
01	0501051761	STUB SHAFT HUB ASSY	4	01
02	0501043559	SEGMENTED WHEEL 525	5	01



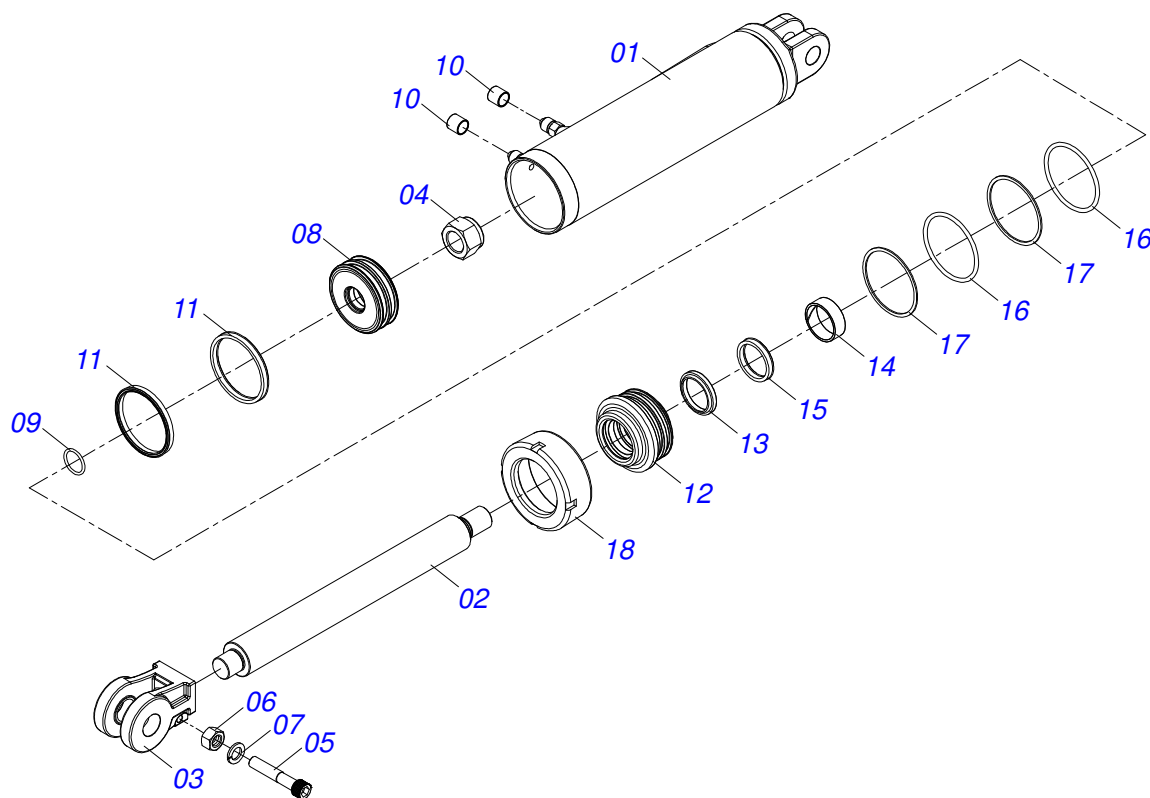
Item	Code	Description	See page	QT
01	0502020617	CARRYING WHEEL HUB		01
02	0501010127	9/16" X 1-7/8" LUG BOLT		06
03	0503010035	9/16" CONIC NUT		06
04	0503010016	BEARING LM		01
05	0503010022	BEARING LM		01
06	0503010278	SEAL		01
07	0503010671	SEAL 02038-BRG		01
08	0511011820	DEPTH WHEEL AXLE		01
09	0521010491	SLEEVE SPACER		01
10	0503011052	1.1/4" X 0.77" CASTLE NUT		01
11	0503010010	1/4" X 2.1/2" COTTERPIN		01
12	0503010002	1800 GREASE FITTING		01



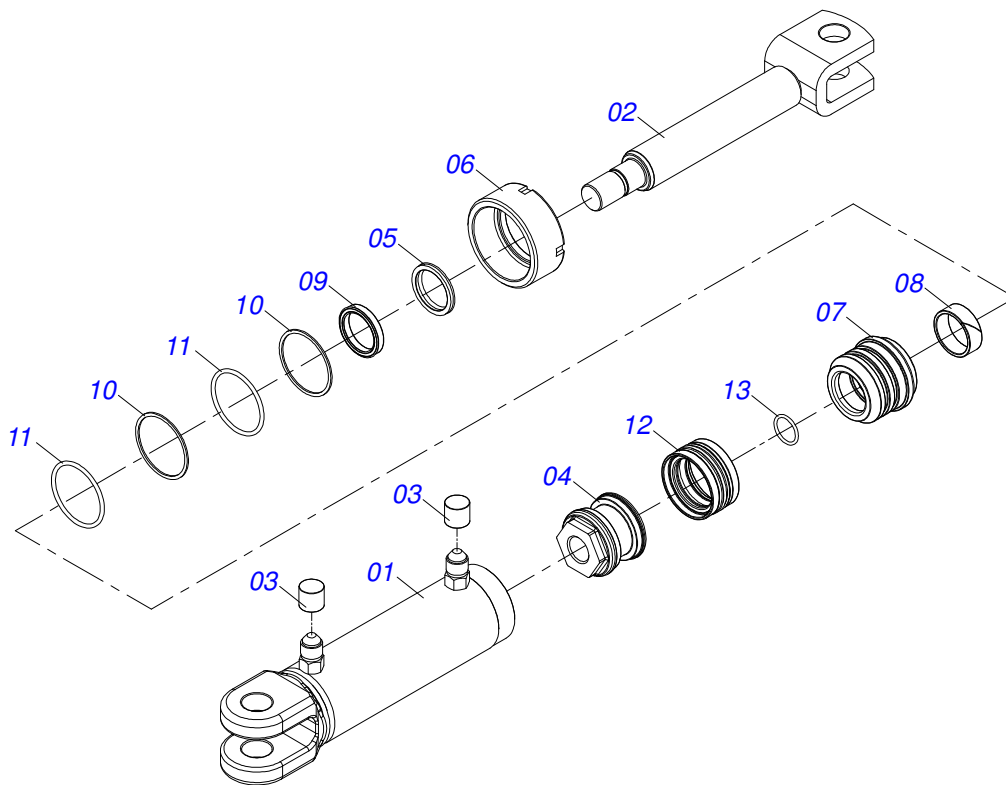
Item	Code	Description	See page	QT
01	0503013357	3/8" SELF-ADJUSTING NUT		06
02	0503010237	3/8" X 1" BOLT		06
03	0501010984	FLAT WASHER		12
04	0501069093	RIM FLANGE		01
05	0521010829	RIM FLANGE		01
06	0501110168	WHEEL SEGMENT BODY		01



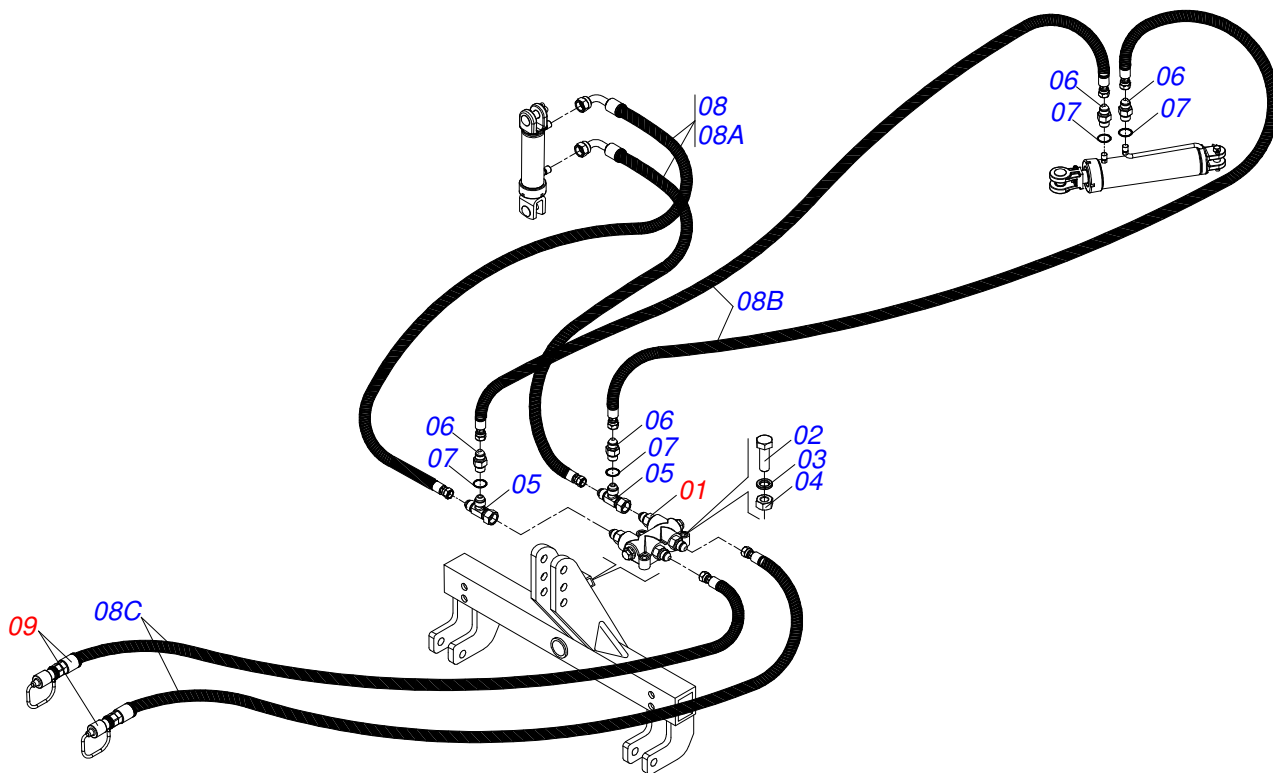
Item	Code	Description	See page	QT
01	0501065907	2.4" X 13" CYLINDER CASE		01
02	0521010827	HYDRAULIC CYLINDER TURNBUCKLE		01
03	0503011094	3/8" X 2" BOLT C C S I 12.9		01
04	0503011443	SPRING WASHER		01
05	0503010026	3/8" NUT		01
06	0502040747	FORK		01
07	0503030385	CYLINDER PLUG N-002		02
08	0571019709	DETACHABLE COVER		01
09	0571019711	RING SUPPORT		01
10	0503010761	D-1750 SCRAPER RING		01
11	0503017937	GASKET		01
12	0503017936	RING		01
13	0503017940	8-337 BACK-UP RING		02
14	0503017939	2-337 N 3006-9B O' RING		02
15	0503017938	RING GUIDE		01
16	0571019710	1.7" X 3.4" PISTON		01
17	0503017935	RING		01
18	0503018144	RING		01
19	0503010042	2-214 N 3006-9B O'RING		01
20	0503010063	1" SELF-ALIGNING NUT		01



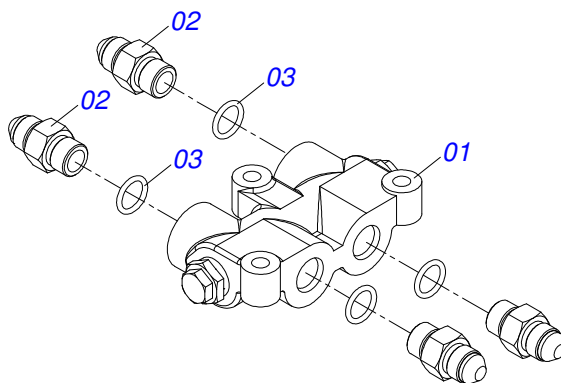
Item	Code	Description	See page	QT
01	0501068739	63,50 X 487 CYLINDER CASE		01
02	0521010035	ROD		01
03	0502040747	FORK		01
04	0503010817	1-1/4" SELF-ADJUSTING NUT		01
05	0503011094	3/8" X 2" BOLT C C S I 12.9		01
06	0503010026	3/8" NUT		01
07	0503010025	3/8 SPRING WASHER		01
08	0581010843	PISTON		01
09	0503010345	2-218 N 3006-9B O'RING		01
10	0503030385	CYLINDER PLUG N-002		02
11	0503018194	GASKET		02
12	0581010678	50,80 X 101 RING SUPPORT		01
13	0503015636	SCRAPER SEAL		01
14	0503018025	RING GUIDE		01
15	0503018026	1870-2000-375 B GASKET		01
16	0503010338	2-342 N 3006-9B O'RING		02
17	0503011061	8-342 BACK-UP RING		02
18	0502012822	101,60 MOBILE COVER		01



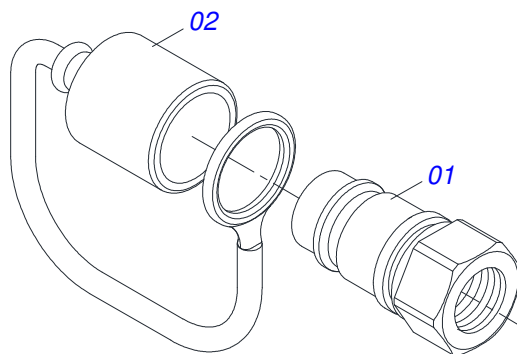
Item	Code	Description	See page	QT
01	0501065906	2.5" X 5" CYLINDER CASE		01
02	0521066626	HYDRAULIC CYLINDER TURNBUCKLE		01
03	0503030385	CYLINDER PLUG N-002		02
04	0502012837	PISTON		01
05	0503010163	D-1500 SCRAPER RING		01
06	0502010471	MOBILE COVER		01
07	0581010668	RING SUPPORT		01
08	0503018004	RING		01
09	0503018003	GASKET		01
10	0503018163	BACK-UP RING		02
11	0503018162	O'RING		02
12	0503018005	RING		01
13	0503011109	2-119 N 3006-9B O'RING		01



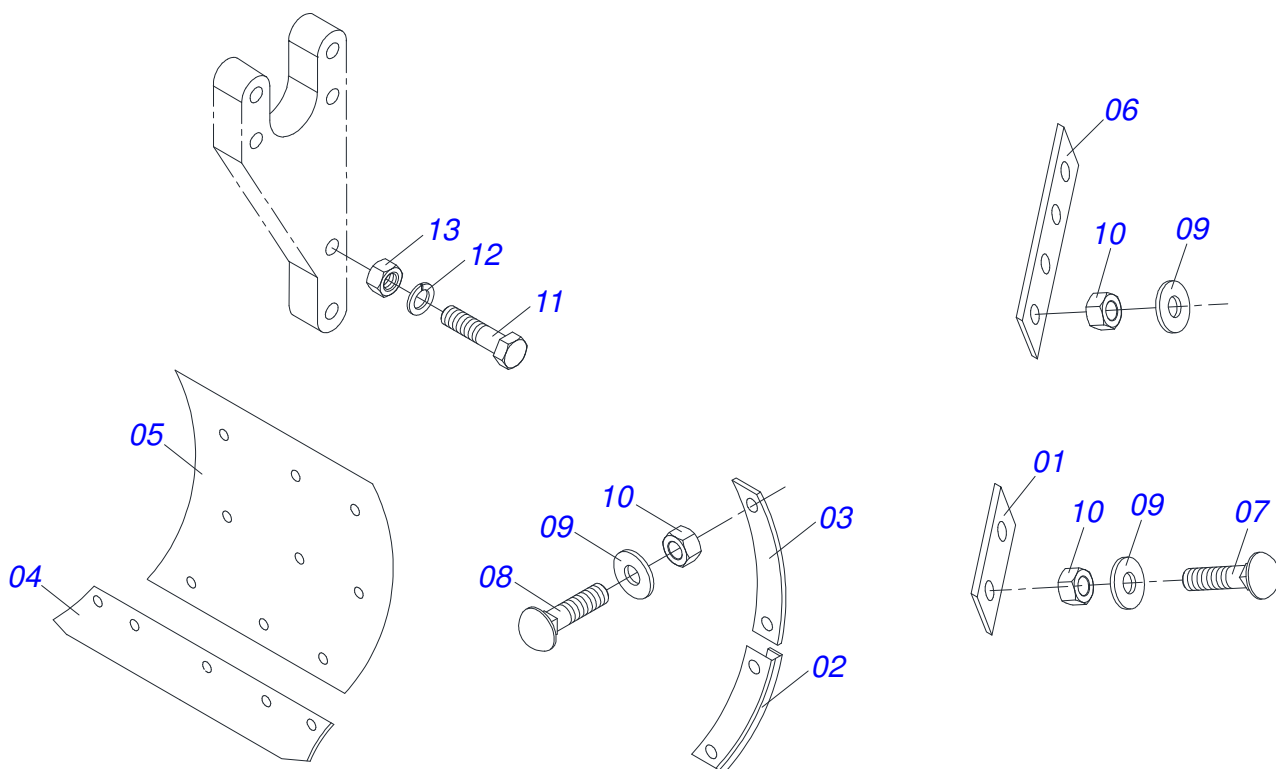
Item	Code	Description	See page	QT
01	0501044080	RETAINING VALVE	10	01
02	0503010421	5/16" X 1-1/2" BOLT		03
03	0503010179	SPRING WASHER		03
04	0503010337	5/16" NUT		03
05	0503011968	T ADAPTOR WITH GIRAT		02
06	0501010617	3/4" NIPPLE		04
07	0503010190	2-114 N 3006-9B O'RING		04
08	0501051035	HOSE KIT		01
08A	0501080406	3/8" X 23" TR-TC HOSE ASSY		02
08B	0501080439	3/8" X 43" TR-TR HOSE ASSY		02
08C	0501080440	3/8" X 53" TR-TM HOSE ASSY		02
09	0501053834	MALE QUICK COUPLING AGRICULTURAL WITH 11 COVER - 1/2 NPT		02



Item	Code	Description	See page	QT
001	0503060113	VALVE		01
002	0501010617	3/4" NIPPLE		04
003	0503010190	2-114 N 3006-9B O'RING		04



Item	Code	Description	See page	QT
01	0503011627	QUICK CONNECTION (MALE) AGR 1/2 NPT		01
02	0503011882	QUICK CONNECTION COVER		01



Item	Code	Description	See page	QT
01	0511011175	SMALLER MOLDBOARD GUIDES		03
02	0502070060	LOWER BAR STOP MOLDBOARD		03
03	0511011126	UPPER BAR STOP MOLDBOARD		03
04	0622380002	SHEAR POINT		03
05	0511011127	PLASTIC LINING		01
06	0511011801	LARGER MOLDBOARD GUIDES		01
07	0503011199	7/16" X 1-1/2" BOLT		12
08	0503011426	7/16" X 1-1/4" BOLT		04
09	0501012803	FLAT WASHER		16
10	0503010244	7/16" NUT		16
11	0511013017	1/2" X 5-1/2" BOLT		06
12	0503010019	1/2" SPRING WASHER		06
13	0503010060	1/2" NUT		06
14	0501032666	HYDRAULIC CYLINDER REPAIR KIT		01
15	0501031796	HYDRAULIC CYLINDER REPAIR KIT		01

ANNOTATIONS

Handwriting practice area consisting of 24 horizontal lines within a rounded rectangular border.

ORIGINAL PARTS
TATU





MARCHESAN IMPLEMENTOS E MÁQUINAS AGRÍCOLAS TATU S.A.

AV. Marchesan, 1979 - Post office box, 131 - CEP 15994-900 - Matão - SP - Brazil

Phone +55 16.3382-8282

(FAX Parts) + 55 16.3382. 8297 - (Export) + 55 16.3382.1003

e.mail: tatu@marchesan.com.br www.marchesan.com.br

Technical Publications: Elaboration

ALESSANDRA PATRICIA KAWAHARA CARRILI

Technical Publications: Revision

JOSÉ DOMINGOS GASPARI

Contact Catálogo:

E-mail = jgaspari@marchesan.com.br

**ORIGINAL PARTS
TATU**

