

PARTS CATALOGUE

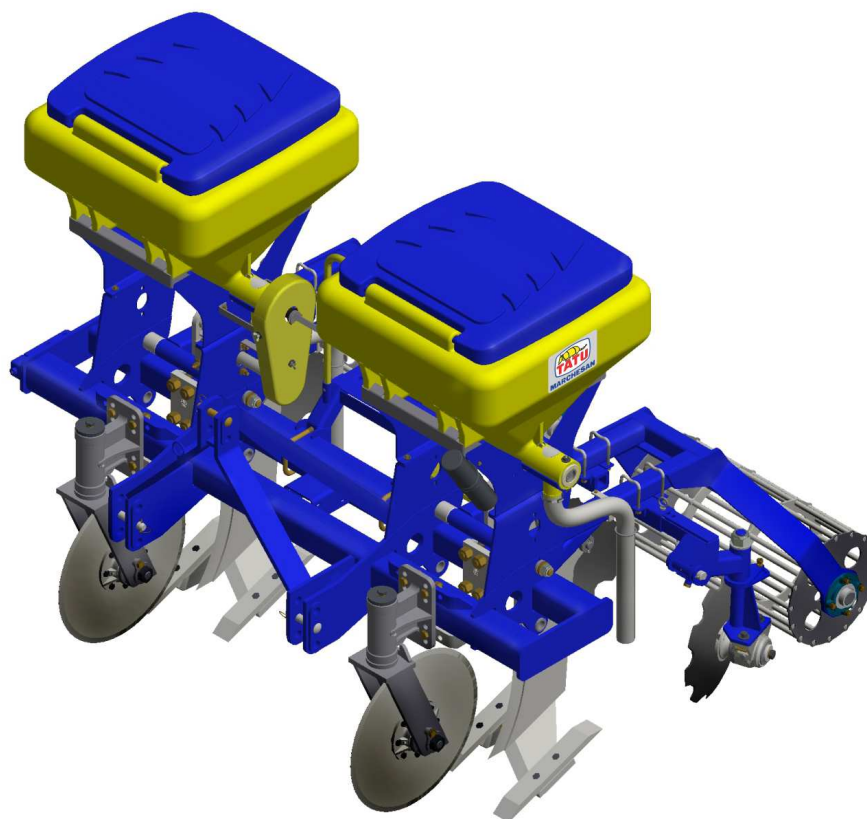
IMPLEMENTS FOR SUGAR CANE

Code:

0501090826

Product:

SACM-TY



Series:

S-0507

Revision:

00

Date Revision:

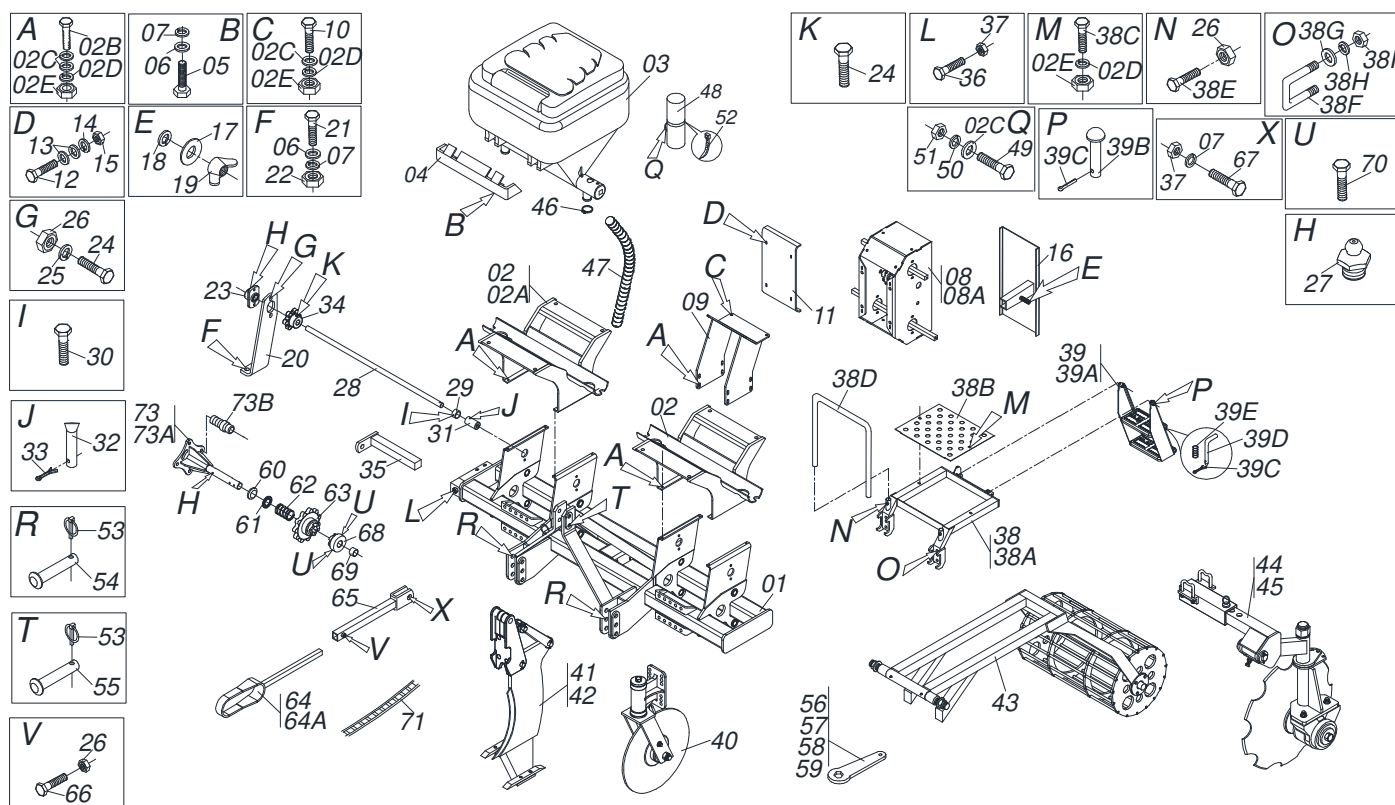
MAIO/2007



MARCHESAN

INDEX

0909092784	SACM-TY MECANICO	1
0909092785	GEAR BOX	2
0909092781	2L ESPAC 1300/1400/1500 SACM-TY	3
0909092789	BREAK ROLLER ASSY	4
0909092790	SPINDLE ASSY	5
0909092792	DISC ASSY	6
0909092791	DISC BEARING ASSY DEVELOPER	7
0909092786	FERTILIZER BEAM ASSY	8
0511044355	24" BLADE DISC ASSY	9



Item	Code	Description	See page	QT
01	0511067104	FRAME	01	01
02	0511045926	SILO SUPPORT ASSY	02	02
02A	0511068657	SILO SUPPORT	02	02
02B	0503010849	3/8" X 1-1/2" BOLT	08	08
02C	0501010984	FLAT WASHER	21	21
02D	0503010025	3/8" SPRING WASHER	14	14
02E	0503010026	3/8" NUT	14	14
03	0501057624	FERTILIZER BEAM ASSY	01	01
04	0511068656	FERTILIZER BEAM LOCK	02	02
05	0503010233	5/8" X 2-1/2" BOLT	04	04
06	0501012140	FLAT WASHER	08	08
07	0503010027	5/8" SPRING WASHER	07	07
08	0511045952	GEAR BOX	01	01
08A	0501055624	GEAR BOX	01	01
09	0511067107	SPEED SUPPORT VARIADOR	01	01
10	0503010237	3/8" X 1" BOLT	04	04
11	0541019052	SPEED COVER VARIADOR	01	01
12	0503010282	1/4" X 3/4" BOLT	04	04
13	0511017303	FLAT WASHER	08	08
14	0503010143	1/4" SPRING WASHER	04	04
15	0503010144	1/4" NUT	04	04
16	0511066626	SPEED COVER BOX	01	01
17	0521013303	WASHER	01	01
18	0503010179	5/16" ZN SPRING WASHER	01	01
19	0503010499	5/16" UNC BUTTERFLY NUT	01	01
20	0511068170	SUPPORT BEARING	01	01
21	0501010100	SCREW 5/8 UNC X 2 CS G.5 ZN	02	02
22	0503010013	5/8" NUT	02	02
23	0501110014	AGRICULTURAL BEARING	01	01
24	0501010077	1/2" X 2" BOLT	04	04
25	0503010019	1/2" SPRING WASHER	02	02



SACM-TY
SACM-TY MECANICO

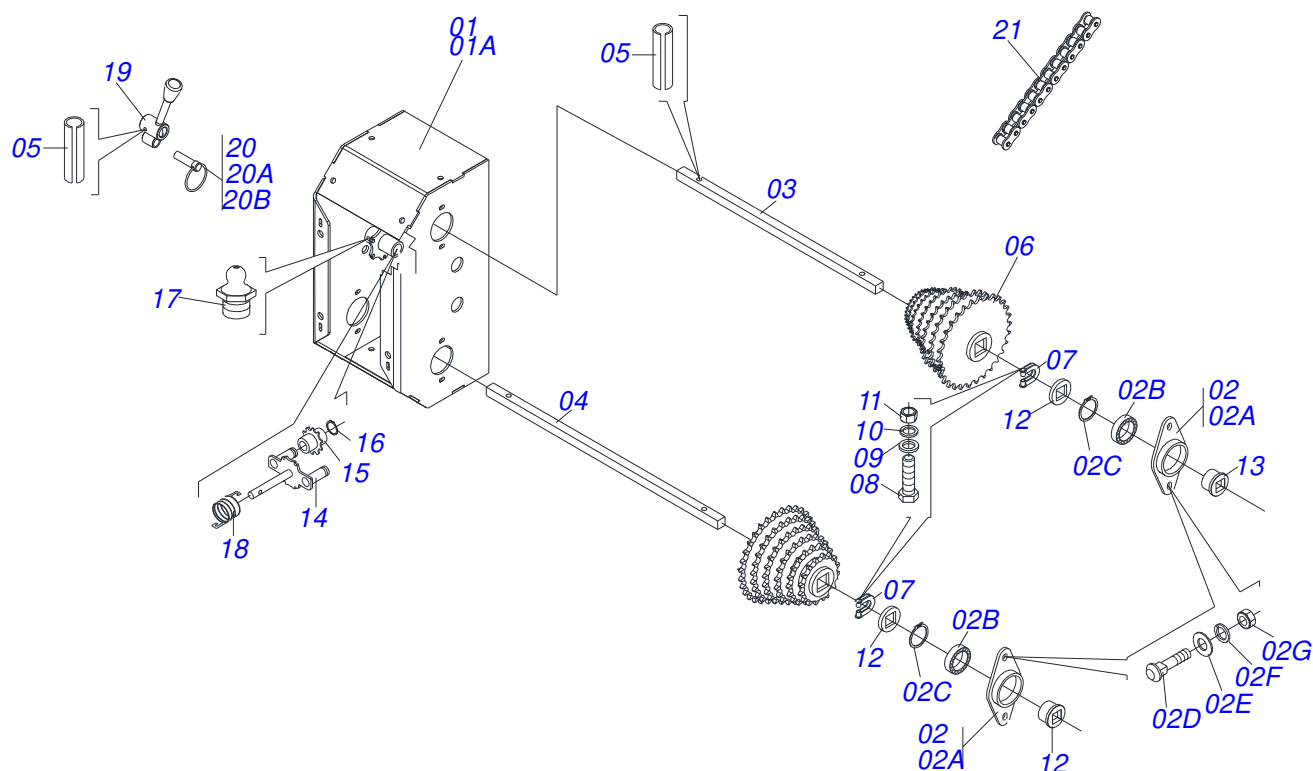
Item	Code	Description	See page	QT
26	0503010060	1/2" NUT		05
27	0503010002	1800 GREASE FITTING		02
28	0541018896	DRIVER AXLE		01
29	0501010783	DRIVING AXLE LUCK		01
30	0503013662	1/2" X 1" BOLT		01
31	0511067108	SLEEVE AXLE DRIVING		01
32	0521010530	COUPLING SHAFT		01
33	0503010140	1/8" X 3/4" COTTERPIN		01
34	0502011311	6Z GEAR		01
35	0511068171	EAR DRIVING		01
36	0503010232	5/8" X 1.3/4" BOLT		01
37	0503010013	5/8" NUT		02
38	0501057649	PLATFORM ASSY		01
38A	0511068710	PLATFORM SACM/SA-T S-0207		01
38B	0541018908	PLATFORM BODY		01
38C	0503011268	3/8" X 2-1/2" BOLT		02
38D	0551015666	HANDRAIL BODY		01
38E	0503014007	1/2" X 1-1/4" BOLT		02
38F	0521010660	3/4" X 5.9" X 5.1" FASTENER		02
38G	0501010322	FLAT WASHER		04
38H	0503010023	3/4" SPRING WASHER		04
38I	0503010014	3/4" NUT		04
39	0501057647	LADDER ASSY		01
39A	0501069281	RIGHT LADDER		01
39B	0521010542	COUPLING SHAFT		02
39C	0503010257	1/8" X 1" COTTERPIN		03
39D	0521011249	LADDER LOCK PIN		01
39E	0503030190	0.5" X 1.6" X 0.05" SPRING		01
40	0511044355	24" BLADE DISC ASSY	9	02
41	0511045287	LEFT SCARIFIER SPINDLE ASSY		01
42	0511045945	RIGHT SCARIFIER SPINDLE ASSY		01
43	0501057550	ARM ROLLE SPINDLE		02
44	0501057551	SET RIGHT DISC DEVELOPER		02
45	0501057552	SET LEFT DISC DEVELOPER		02
46	0551013641	2.1/2" X 1430 HOSE ASSY		04
47	0503011266	CLAMP 2.1/4" A 3" 57-76		04
48	0503060100	OPERATOR'S MANUAL STORAGE TUBE		01
49	0503010371	5/16" X 1" BOLT		01
50	0503010179	5/16" ZN SPRING WASHER		01
51	0503010337	5/16" NUT		01
52	0503010267	NYLON CLAMP		01
53	0503030085	LOCK PIN		03
54	0521012124	COUPLING SHAFT		02
55	0521012533	COUPLING SHAFT		01
56	0521012126	1.3" CABLE FLAT WRENCH HEX		01
57	0531014773	2.3 CABLE FLAT WRENCH HEX		01
58	0521012199	1.6" GANG BOLT WRENCH		01
59	0521012200	2" CABLE FLAT WRENCH		01
60	0511016819	CONICAL SPRING WASHER		04
61	0501010765	SPINDLE GUIDE		01
62	0503030086	COMPRESSION SPRING		01
63	0502011321	11Z GEAR WITH RIGHT DRAGGER		01
64	0501057763	ARM/DISARMENT ROD ASSY		01
64A	0511068860	ROD DRIVING		01
65	0511068861	COUPLING/UNCOUPLING ARM		01
66	0501010161	1/2" X 1.1/4" BOLT		01
67	0503010899	5/8" X 2-1/4" BOLT		01
68	0502011379	RH FOLLOWER		01
69	0501014453	LOCK BUSHING		01



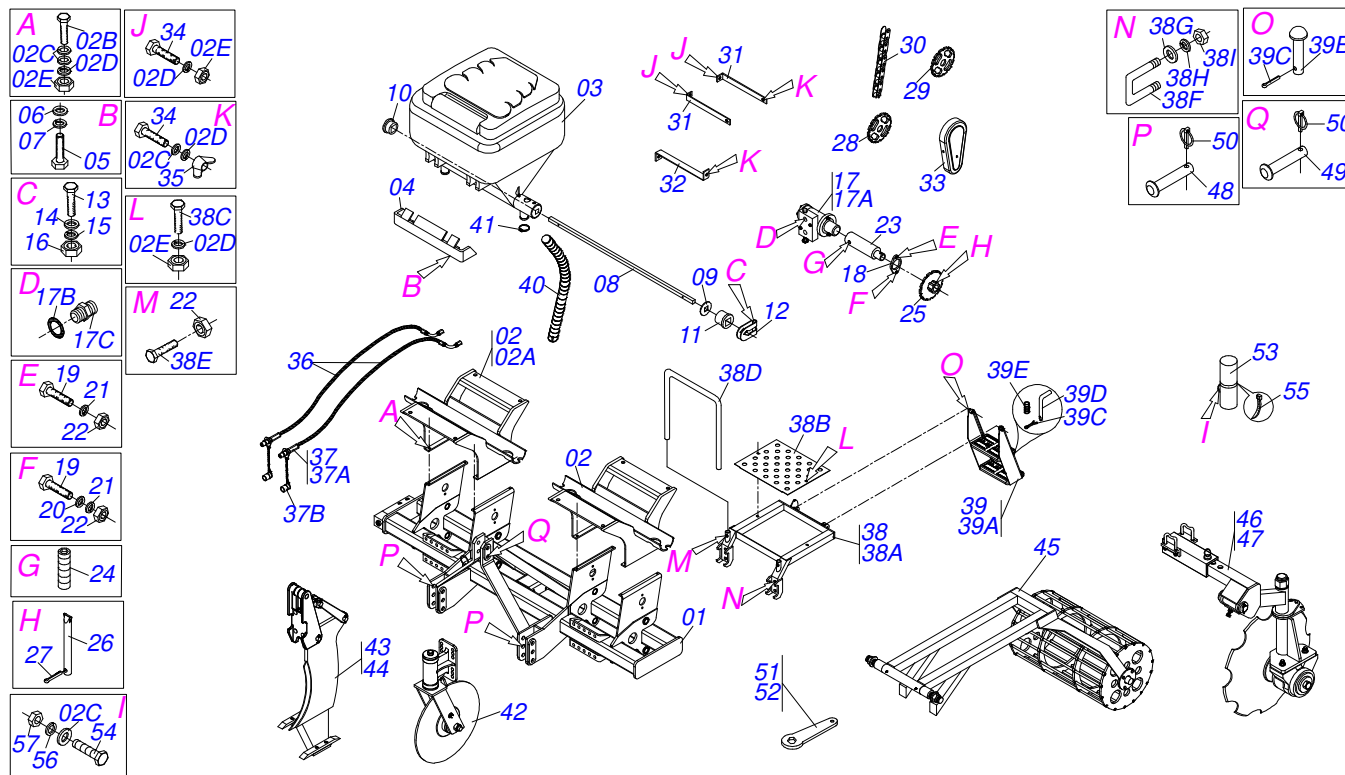
SACM-TY
SACM-TY MECANICO

Page 1
0909092784

Item	Code	Description	See page	QT
70	0503010734	1/2" X 2-1/2" BOLT		03
71	0503010253	57 CHAIN X 73 LINK		01
72	0501061186	MOTOR SUPPORT		01
73	0501057332	MOTOR SUPPORT ASSY		04
73A	0501061185	MOTOR SUPPORT ASSY		01
73B	0501010763	MOTOR SUPPORT FIXER		04



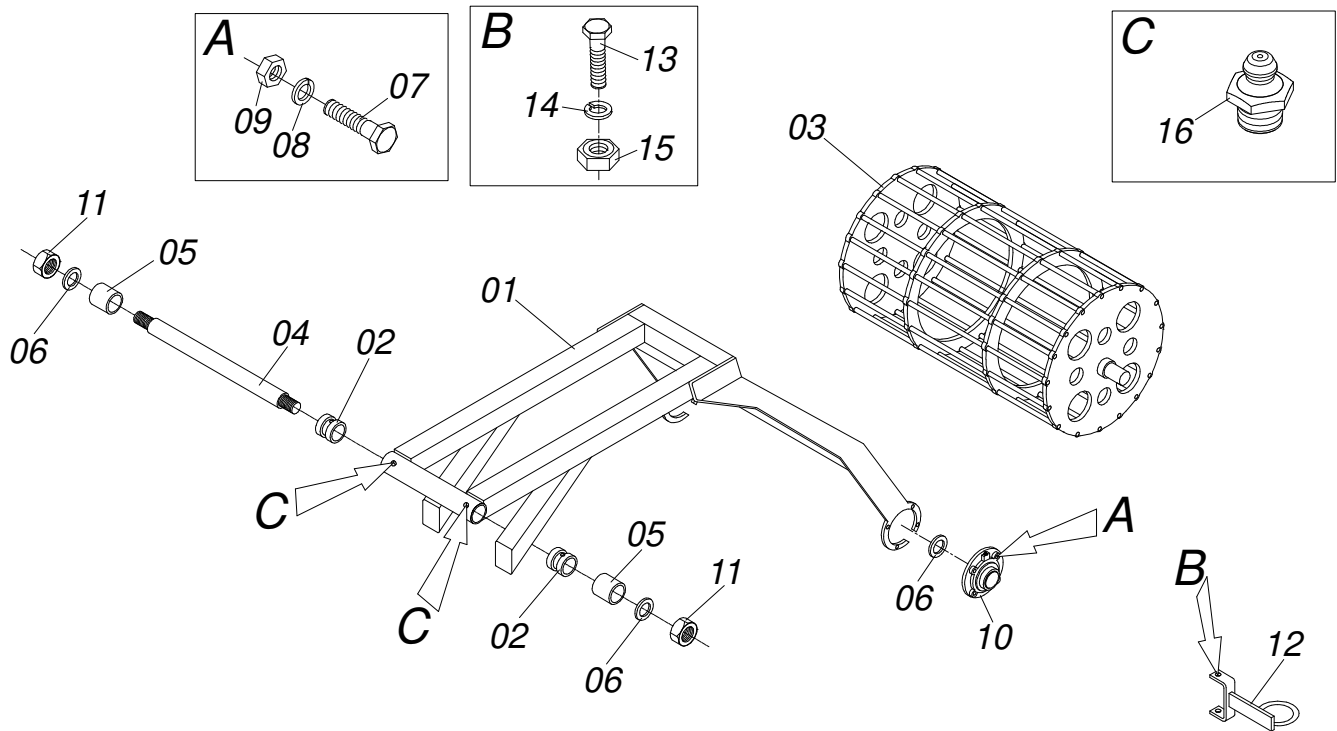
Item	Code	Description	See page	QT
01	0501055624	GEAR BOX		01
01A	0511066625	SPEED BOX VARIADOR		01
02	0501053361	SPEED DOUB BEARING VARIADOR		04
02A	0502011987	DOUBLE HOUSING BEARING		01
02B	0503011410	ROLLER BEARING		02
02C	0503011105	SEAL RING		01
02D	0503011953	5/16" X 1" BOLT		02
02E	0501010694	8.5 X 18 X 1.5 FLAT WASHER		02
02F	0503010179	5/16" ZN SPRING WASHER		02
02G	0503010337	5/16" NUT		02
03	0521013283	SPEED AXLE TRANSMISSION		01
04	0551015668	SQUARE SHAFT		01
05	0503010292	0.2" X 1.6" SPRING PIN		05
06	0501069700	FERTILIZER GEAR ASSY		02
07	0521010691	AXLE FASTENER		04
08	0503010373	SCREW 1/4 UNC X 2 CS G.2 ZN		04
09	0511017303	FLAT WASHER		04
10	0503010143	1/4" SPRING WASHER		04
11	0503010144	1/4" NUT		04
12	0521018630	1.4" X SQUARE 0.8" WASHER		04
13	0503031527	AGRICULTURAL BEARING		04
14	0511060393	CHAIN TENSIONER ASSY		01
15	0503031805	11Z 1/2" GEAR		02
16	0503010302	501019 SEAL RING		02
17	0503010002	1800 GREASE FITTING		01
18	0503031367	SPRING		01
19	0502011758	REAR TENSIONER LEVER		01
20	0501048790	AXLE WITH LINK ASSY		01
20A	0521012476	GEAR BOX LEVER AXLE		01
20B	0503031369	LINK		01
21	0503012143	78 CHAIN X 40-1 LINK + REDUCTION		01



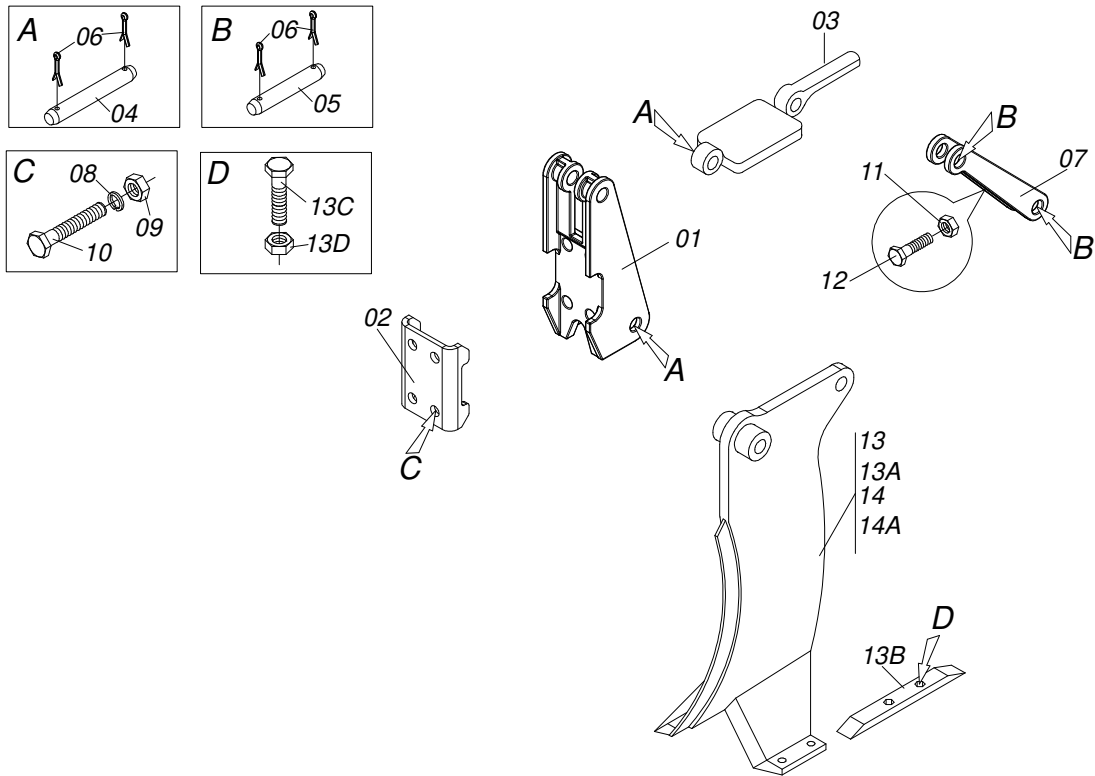
Item	Code	Description	See page	QT
01	0511067104	FRAME		01
02	0511045926	SILO SUPPORT ASSY		02
02A	0511068657	SILO SUPPORT		01
02B	0503010849	3/8" X 1-1/2" BOLT		04
02C	0501010984	FLAT WASHER		12
02D	0503010025	3/8" SPRING WASHER		11
02E	0503010026	3/8" NUT		08
03	0501057624	FERTILIZER BEAM ASSY		01
04	0511068656	FERTILIZER BEAM LOCK		02
05	0503010233	5/8" X 2-1/2" BOLT		04
06	0501012140	FLAT WASHER		04
07	0503010027	5/8" SPRING WASHER		04
08	0521013959	3/4" X 30.2" SQUARE SHAFT		01
09	0521018630	1.4" X SQUARE 0.8" WASHER		04
10	0503031527	AGRICULTURAL BEARING		02
11	0503030275	AGRICULTURAL BEARING		01
12	0521010691	AXLE FASTENER		02
13	0503010373	SCREW 1/4 UNC X 2 CS G.2 ZN		02
14	0511017303	FLAT WASHER		02
15	0503010143	1/4" SPRING WASHER		02
16	0503010144	1/4" NUT		02
17	0501053421	VALVE MOTOR HYDRAULIC ASSY		01
17A	0503012829	VALVE HYDRAULIC MOTOR ASSY		01
17B	0503010045	O-RING		02
17C	0501010590	NIPPLE		02
18	0541019115	HYDRAULIC MOTOR FLANGE		01
19	0503011172	BOLT 1/2 UNC X 2.1/2 C S G.5 ZN		02
20	0511017302	FLAT WASHER		01
21	0503010019	1/2" SPRING WASHER		02
22	0503010060	1/2" NUT		04
23	0551015677	HIDRAULIC MOTOR AXLE		01



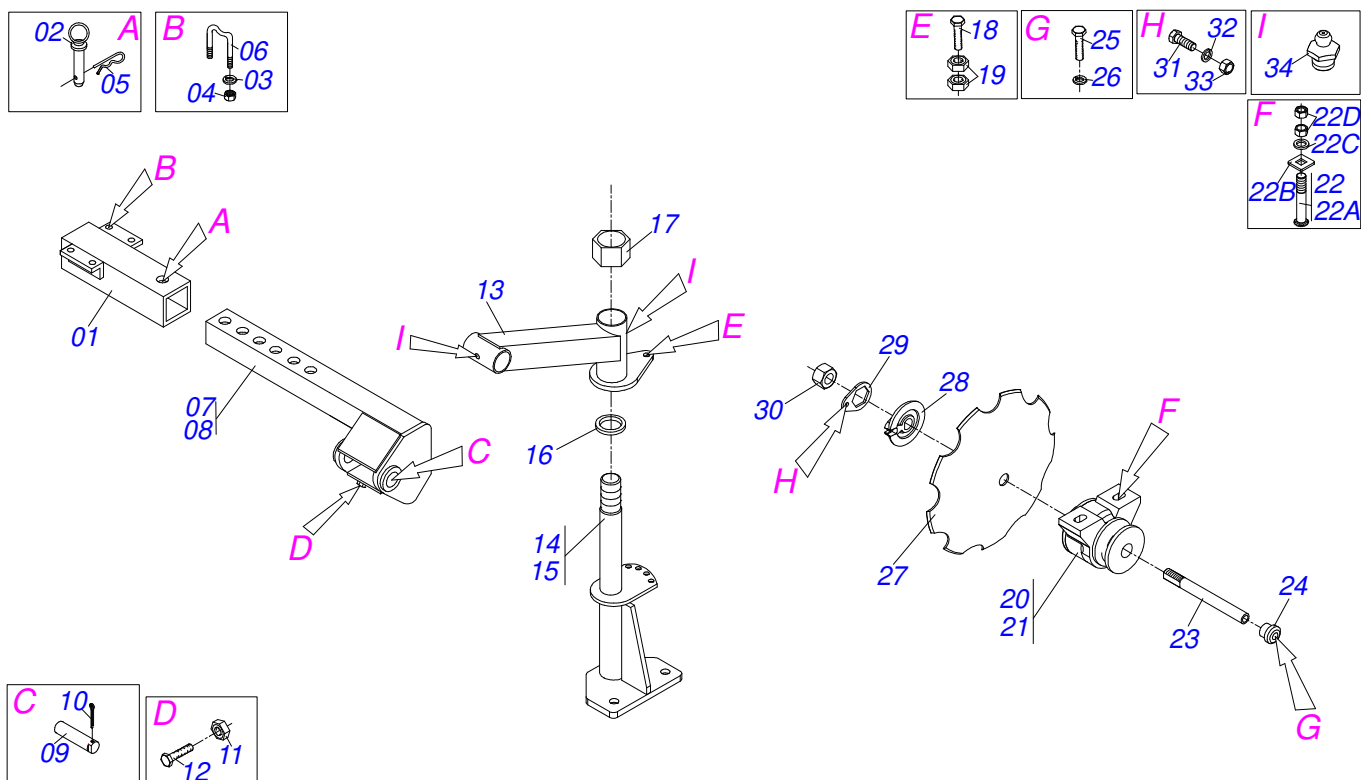
Item	Code	Description	See page	QT
24	0503011807	SCREW M8 X 1,25X10		02
25	0502010411	10Z GEAR		01
26	0521010530	COUPLING SHAFT		01
27	0503010140	1/8" X 3/4" COTTERPIN		01
28	0502011318	10Z GEAR		01
29	0502011349	18Z P 1.2" SH 3/4" GEAR		01
30	0503014266	2050 CHAIN X 31 LINK + MENDING+REDUCTION		01
31	0551015602	CHAIN CAP UPPER SUPPORT		02
32	0551015603	CHAIN CAP LOWER SUPPORT		01
33	0503032920	CHAIN CAP		01
34	0503011087	3/8" X 1" BOLT		05
35	0503010209	3/8" UNC BUTTERFLY NUT		03
36	0501080630	1/2" X 78" TC-TM HOSE ASSY		02
37	0501053834	MALE QUICK COUPLER WITH CAP - 1/2 NPT		02
37A	0503011627	MALE QUICK COUPLER AGR 1/2 NPT		01
37B	0503011882	MALE QUICK COUPLER CAP		01
38	0501057649	PLATFORM ASSY		01
38A	0511068710	PLATFORM SACM/SA-T S-0207		01
38B	0541018908	PLATFORM BODY		01
38C	0503011268	3/8" X 2-1/2" BOLT		02
38D	0551015666	HANDRAIL BODY		01
38E	0503014007	1/2" X 1-1/4" BOLT		02
38F	0521010660	3/4" X 5.9" X 5.1" FASTENER		02
38G	0501010322	FLAT WASHER		04
38H	0503010023	3/4" SPRING WASHER		04
38I	0503010014	3/4" NUT		04
39	0501057647	LADDER ASSY		01
40	0551013641	2.1/2" X 1430 HOSE ASSY		04
41	0503011266	CLAMP 2.1/4" A 3" 57-76		04
42	0511044355	24" BLADE DISC ASSY	9	02
43	0511045287	LEFT SCARIFIER SPINDLE ASSY		01
44	0511045945	RIGHT SCARIFIER SPINDLE ASSY		01
45	0501057550	ARM ROLLE SPINDLE		02
46	0501057551	SET RIGHT DISC DEVELOPER		02
47	0501057552	SET LEFT DISC DEVELOPER		02
48	0521012124	COUPLING SHAFT		02
49	0521012533	COUPLING SHAFT		01
50	0503030085	LOCK PIN		03
51	0521012126	1.3" CABLE FLAT WRENCH HEX		01
52	0521012199	1.6" GANG BOLT WRENCH		01
53	0503060100	OPERATOR'S MANUAL STORAGE TUBE		01
54	0503010371	5/16" X 1" BOLT		01
55	0503010267	NYLON CLAMP		01
56	0503010179	5/16" ZN SPRING WASHER		01
57	0503010337	5/16" NUT		01



Item	Code	Description	See page	QT
01	0511068549	ROLLER SUPPORT		01
02	0521012122	DRIVER ROCKING SLEEVE SUPPORT		02
03	0511066713	SEATED ROLLER		01
04	0541010320	DRIVER ROCKING AXLE LARGER PIVOT		01
05	0541010319	SLEEVE		02
06	0521012087	FLAT WASHER		04
07	0503011195	7/16" X 1.3/4" BOLT		08
08	0503010180	7/16" SPRING WASHER		08
09	0503010244	7/16" NUT		08
10	0503013156	BEARING WITH BALL		02
11	0503010063	1" SELF-ALIGNING NUT		02
12	0511067647	HOSE HOLDER		02
13	0503010848	5/16" X 3.1/2" BOLT		02
14	0503010179	5/16" ZN SPRING WASHER		02
15	0503010337	5/16" NUT		02
16	0503010002	1800 GREASE FITTING		02



Item	Code	Description	See page	DIR ESQ
01	0502011165	REAR FIXER		01 01
02	0502011166	FRONT FIXER		01 01
03	0521011631	AUTOMATIC RESET		01 01
04	0511015688	1.1" X 7.1" COUPLING SHAFT		02 02
05	0511015689	1.1" X 3.5" COUPLING SHAFT		02 02
06	0503010571	1/4" X 1.1/2 COTTERPIN		08 08
07	0502011164	SUPPORT SPRING		01 01
08	0503010012	1" SPRING WASHER		04 04
09	0503010340	1" NUT		04 04
10	0511019527	1" X 8" BOLT		04 04
11	0503011173	7/16" X 2" BOLT		01 01
12	0503010244	7/16" NUT		01 01
13	0501057228	SCARIFIER SPINDLE ASSY		00 01
13A	0511067836	SUBSOILER ROD LEFT		00 01
13B	0551011967	POINT SUBSOILER		02 02
13C	0503010232	5/8" X 1.3/4" BOLT		04 04
13D	0503010013	5/8" NUT		04 04
14	0501057665	RIGHT SCARIFIER SPINDLE SET		01 00
14A	0511068709	SUBSOILER ROD RIGHT		01 00



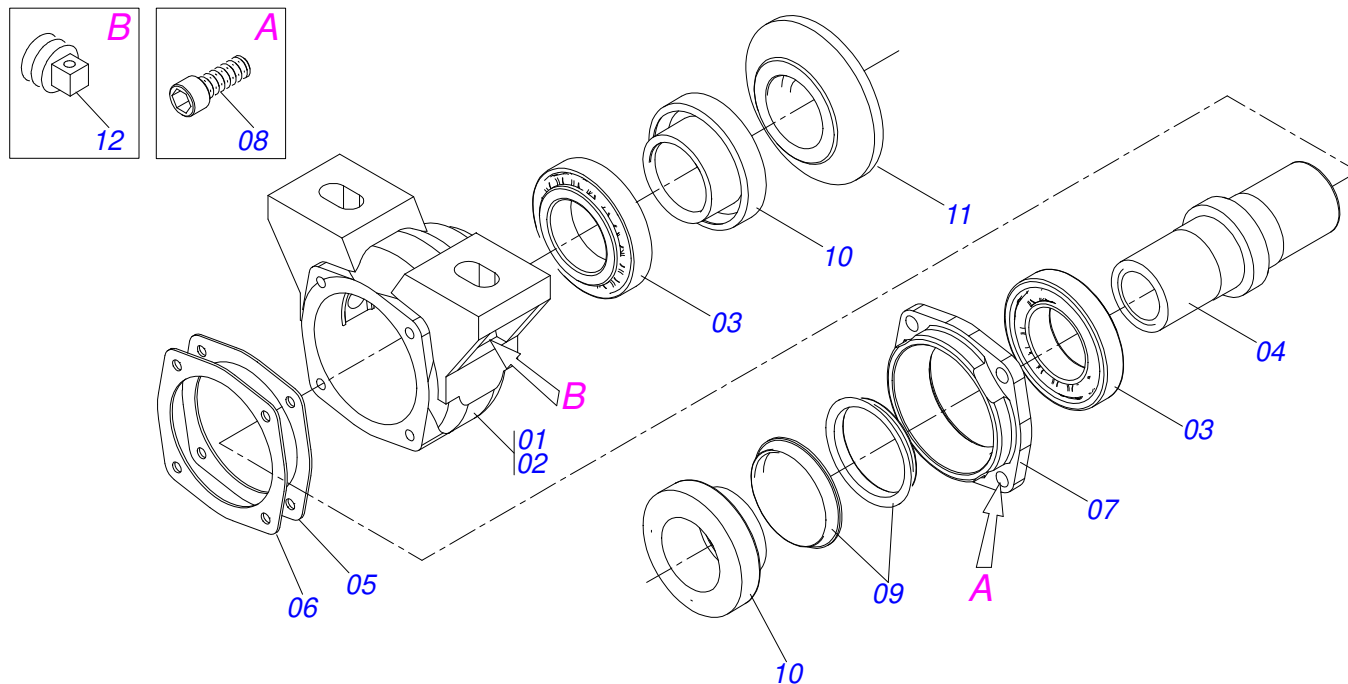
Item	Code	Description	See page	DIR ESQ
01	0511068546	ARM SUPPORT ADJUSTMENT	01	01
02	0511068550	COUPLING SHAFT	01	01
03	0503010019	1/2" SPRING WASHER	04	04
04	0503010060	1/2" NUT	04	04
05	0503030012	HAIR PIN	01	01
06	0521010656	1/2" X 4.3" X 3.3" FASTENER	02	02
07	0511068547	REGULATOR ARM	01	00
08	0511068548	LH REGULATOR ARM	00	01
09	0551010402	34,93 X 160,50/161 AXLE	01	01
10	0503010523	1/4" X 2" COTTERPIN	01	01
11	0503010013	5/8" NUT	01	01
12	0501010100	SCREW 5/8 UNC X 2 CS G.5 ZN	01	01
13	0511068553	REGULATOR ARM	01	01
14	0511068551	RIGHT SUPPORT DISC	01	00
15	0511068552	LEFT SUPPORT DISC	00	01
16	0521012120	WASHER	01	01
17	0503010290	SELF ADJUSTING 1.1/2" UNF NUT	01	01
18	0503010277	7/16" X 1-1/2" BOLT	01	01
19	0503010487	7/16" THEAD LEFT NUT	02	02
20	0511045845	OIL BATH BEARING	01	00
21	0511045846	OIL BATH BEARING	00	01
22	0501048963	5/8" X 2-1/2" BOLT ASSY	02	02
23	0521015310	1.1/4 UNC X 206 AXLE	01	01
24	0521015311	WASHER	01	01
25	0501010098	3/4" UNC BOLT	01	01
26	0503010023	3/4" SPRING WASHER	01	01
27	0602025011	0.7" X 0.2" NOTCHED DISC BLADE	01	01
28	0502010834	1-1/4" INNER AXLE WASHER	01	01
29	0501010455	1.1/4" NUT LOCK	01	01
30	0501010087	1.1/4" NUT	01	01
31	0501010161	1/2" X 1.1/4" BOLT	01	01



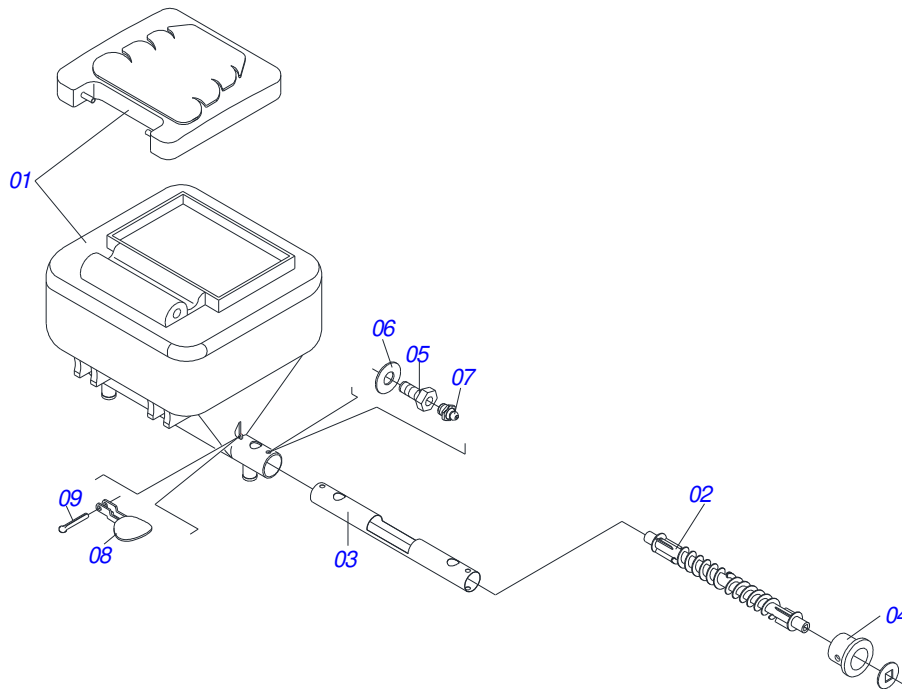
SACM-TY
DISC ASSY

Page 6
0909092792

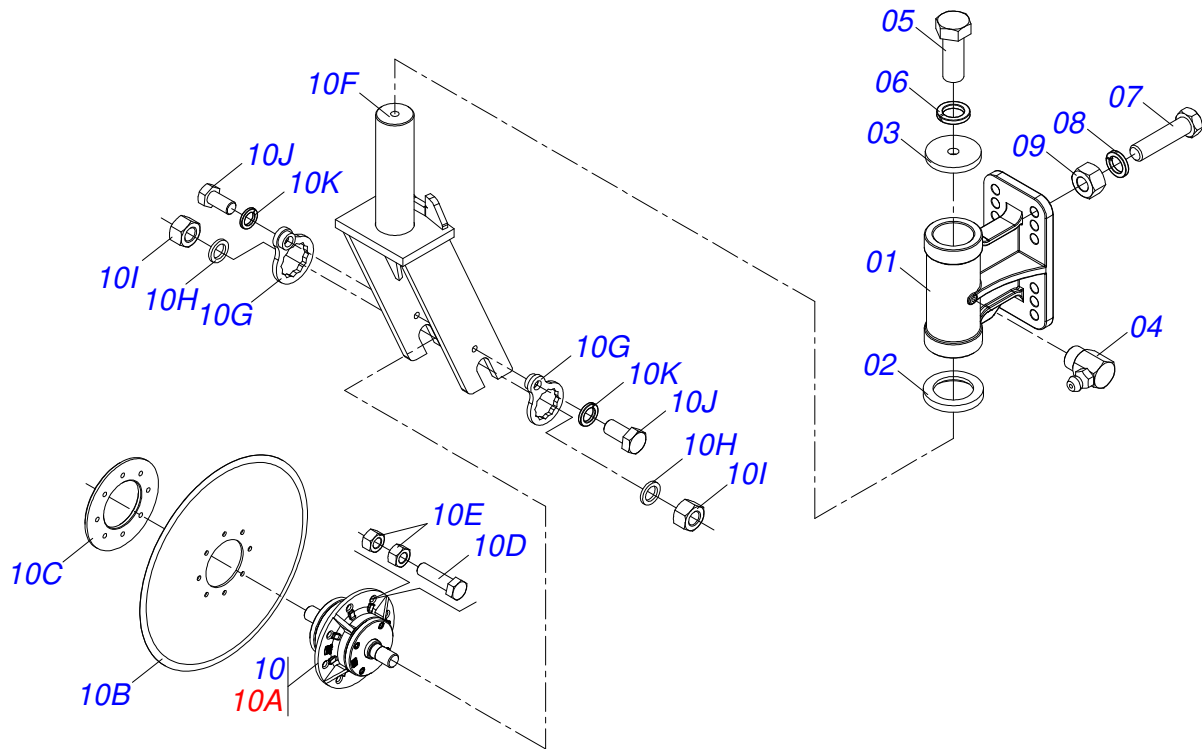
Item	Code	Description	See page	DIR ESQ
32	0503010019	1/2" SPRING WASHER		01 01
33	0503010060	1/2" NUT		01 01
34	0503010002	1800 GREASE FITTING		02 02



Item	Code	Description	See page	QT
01	0511045846	OIL BATH BEARING		01
01A	0502011766	HOUSING DM		01
02	0511045845	OIL BATH BEARING		01
02A	0502011765	HOUSING DM		01
03	0503010111	30210 ROLLER BEARING		02
04	0502040484	BEARING AXLE		01
05	0503030013	4.4" X 3.5" X 0.004" JOINT		02
06	0503030684	4.4" X 3.5" X 0.004" JOINT		01
07	0502020424	HOUSING CAP		01
08	0503010134	3/8" X 1" BOLT		04
09	0503030026	SEAL LP JB-253		02
10	0502010541	SEAL RETAINER		02
11	0502010073	OUTER FLANGE		01
12	0503010856	OIL PLUG		01



Item	Code	Description	See page	QT
00	0501057624	FERTILIZER BEAM ASSY		01
01	0503061670	COVER ORANGE BOX FERTIL YELLOW		01
02	0511068620	FERTILIZER CONDUCTOR		01
03	0551015492	TUBE COATED		01
04	0551015225	FERTILIZER CONDUCTOR BEARING		02
05	0541014215	BEARING BOLT		04
06	0511017302	FLAT WASHER		04
07	0503010691	1/4" GREASE FITTING		04
08	0551013391	COVER SOCKET		02
09	0503010362	1/8" X 1.1/4" COTTERPIN		02



Item	Code	Description	See page	QT
01	0502012370	WITH BLADE DISC SUPPORT		01
02	0541018869	FLAT WASHER		01
03	0541018868	FLAT WASHER		01
04	0503010004	1890 GREASE FITTING		01
05	0501010098	3/4" UNC BOLT		01
06	0503010023	3/4" SPRING WASHER		01
07	0501010500	3/4"X3"BOLT		04
08	0503010023	3/4" SPRING WASHER		04
09	0503010014	3/4" NUT		04
10	0501056943	24" BLADE DISC		01
10A	0501057526	DISC HUB		01
10B	0603030044	24" X 0.2" FLAT PLAIN DISC		01
10C	0521011824	BLADE DISC FLANGE OUTER		01
10D	0503011172	BOLT 1/2 UNC X 2.1/2 C S G.5 ZN		08
10E	0503010060	1/2" NUT		16
10F	0511067105	BLADE DISC FORK		01
10G	0501069637	AXLE NUT LOCK		02
10H	0521012664	FLAT WASHER		02
10I	0501010087	1.1/4" NUT		02
10J	0503010962	5/8" X 1-1/4" BOLT		02
10K	0503010027	5/8" SPRING WASHER		02



www.marchesan.com.br



Technical Publications | Elaboration and Revision
ALESSANDRA PATRICIA KAWAHARA CARRILI