

PARTS CATALOG

ROW CROP PLANTERS

COP SUP ESPANHA

Code: 0501090816



Series: S-0107

Rev.: 02

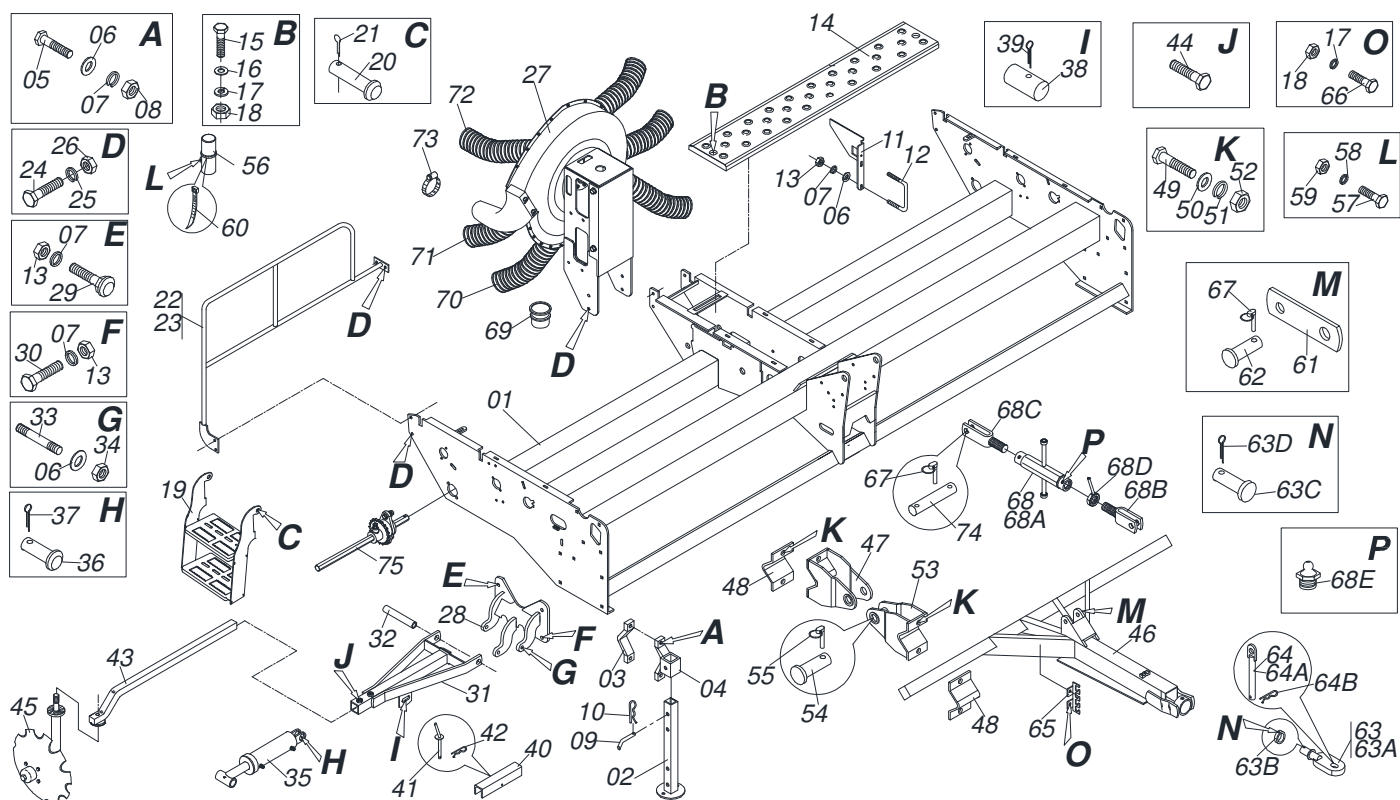
Date Rev.: JANEIRO/2007

**ORIGINAL PARTS
TATU**



INDEX

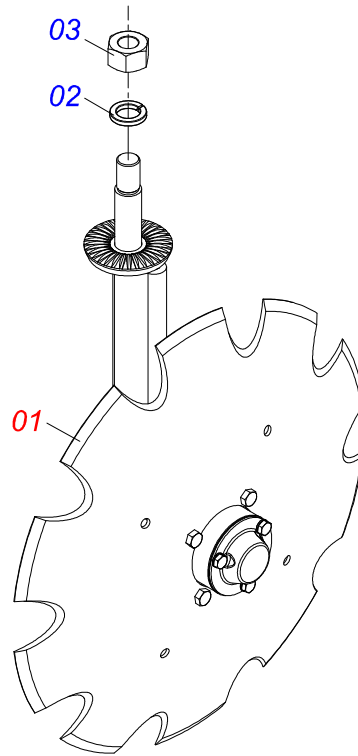
0909090889	FRAME PCS COP SUP ESPANHA S-0107	1
0501050633	DISC ASSY FOR ROW MARKER	2
0909092897	HYDRAULIC TURBINE	3
0909092898	HUB AND SPINDLE ASSY	4
0511043441	HYDRAULIC CYLINDER	5
0511040424	RH TRANSMISSION DRIVING ASSY	6
0909092899	TRANSMISSION	7
0909092900	GEAR BOX ASSY	8
0909092901	BEAM FERTILIZER	9
0909091251	COP-ESPANÁ SEED/FERTILIZER ROW SUP	10
0909092905	SCARIFIER SPINDLE FERTILIZER ROW	11
0909092904	SEED ROW ASSY	12
0909091147	FERTILIZER UNAL DOUBLE DISC	13
0909090053	15 X 15 SEED UNAL DOUB-DISC ASSY	14
0909092906	18" BLADE DISC ASSY	15
0909092907	SEED ROW FRONT	16
0909092908	REAR SEED ROW ASSY	17
0909092902	BEARING TENSIONER	18
0909092909	DEPTH CONTROL ASSY	19
0909092912	DEPTH CONTROL PRESS WHEEL ASSY	20
0511042211	PNEUMATIC SEED DISTRIBUTOR	21
0909092910	HYDARULIC CIRCUIT	22
0501055487	HECTARE ELECTRONIC SET	23
0909092911	MICRO GRANULATED SUPPOT	24
0501055278	IRON V PRESS WHELL ASSY	25
0909090390	PRESS WHEEL FERTILIZER ASSY	26
0909091172	20"/22" BLADE DISC ASSY	27
0909092230	DPL/ESTR/CRUC BLADE DISC	28
0909092231	DPL/ESTR/INJ BLADE DISC	29
0909092264	SET ASSY WHEEL COMPACTOR CONCAVE	30
0501056574	CHAIN TENSIONER ASSY	31
0511040203	1.5" X 2.5" X 19" X 9" HYDRAULIC CYLINDER	33
0501056573	17Z GEAR ASSY	34
0909094789		35



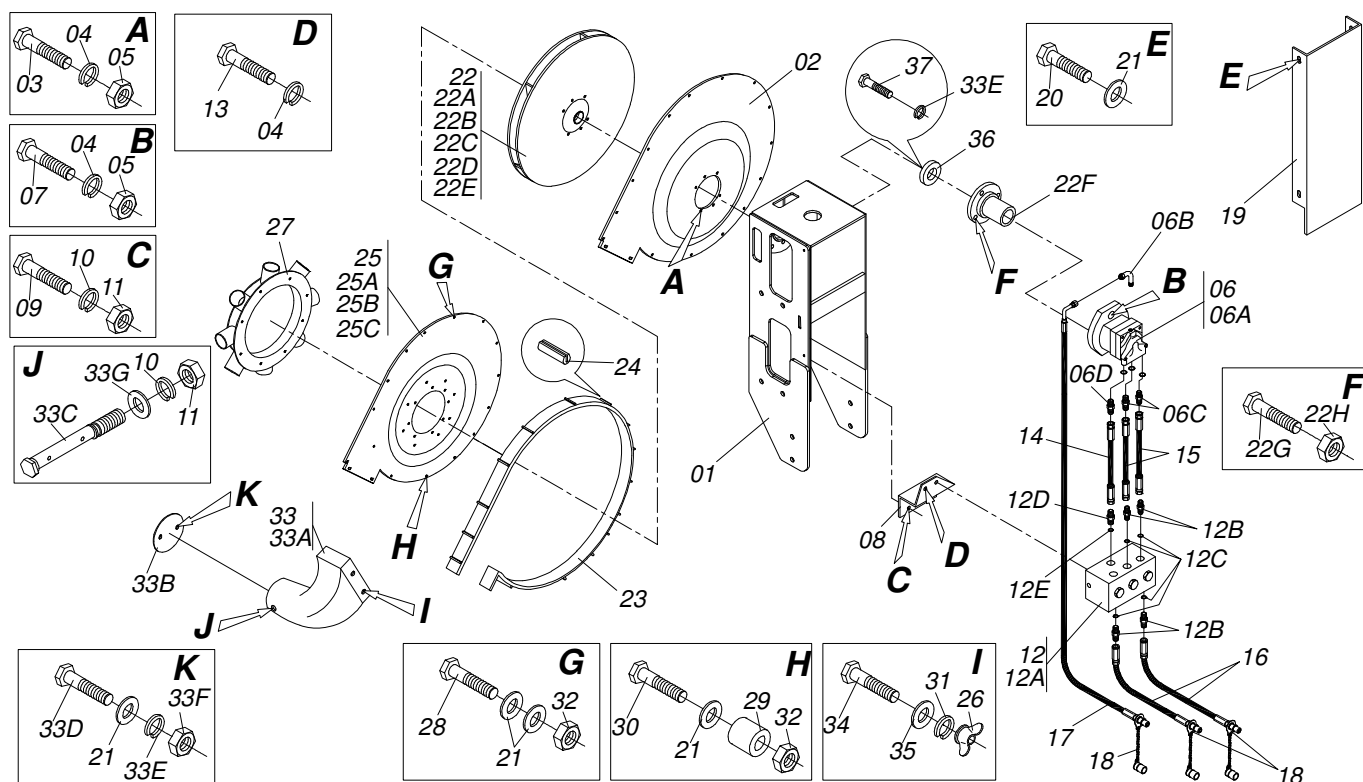
Item	Code	Description	QT
01	0511063003	FRAME COP TOTAL FLEX 9	01
02	0502011530	SUPPORT	02
03	0502010175	HITCH CLAMP	02
04	0511061835	PLOUGH SUPPORT	02
05	0501011543	5/8" X 4" BOLT	04
06	0501012140	FLAT WASHER	07
07	0503010027	SPRING WASHER	16
08	0503010013	5/8" NUT	04
09	0501011075	PIN	02
10	0503030012	HAIR PIN	02
11	0531019337	PLATFORM SUPPORT	02
12	0521010718	5/8" U BOLT	02
13	0503012412	HEX SELF ADJUSTING NUT 5/8 UNC S	12
14	0531019200	PLATFORM COP 9 S-0303	02
15	0501010080	3/8" BOLT	04
16	0501010984	FLAT WASHER	04
17	0503010025	3/8 SPRING WASHER	06
18	0503010026	3/8" NUT	06
19	0511064701	LADDER	02
20	0521017623	0.5" X 1.5" COUPLING SHAFT	04
21	0503010257	1/8" X 1" COTTERPIN	04
22	0511064715	RIGHT HANDRAIL	01
23	0511064723	LEFT HANDRAIL	01
24	0503010395	1/2" X 1-1/4" BOLT	12
25	0503010019	1/2" SPRING WASHER	12
26	0503010060	1/2" NUT	12
27	0511044247	TURBINE MOTOR HIDRAULIC ASSY	01
28	0511060051	ROW MARKER SUPPORT	02
29	0503012699	5/8" X 2" BOLT	06
30	0501010100	5/8 UNC X 2 C S G.5 BOLT	02
31	0501069470	ROW MARKER ARM	02
32	0521017687	SPACING SLEEVE	02
33	0521017686	5/8 UNF X 5/8 UNF X 335 PRISONER	02



Item	Code	Description	QT
34	0503012795	5/8" HEX SELF ADJUSTING NUT	04
35	0511040203	1.5" X 2.5" X 19" X 9" HYDRAULIC CYLINDER	02
36	0521010574	C0.9" X 3.3" COUPLING SHAFT	02
37	0503010571	1/4" X 1.1/2 COTTERPIN	02
38	0511015779	1" X 4.2" AXLE	02
39	0503010523	1/4" X 2" COTTERPIN	02
40	0511017592	11.8" X 1.6" TRANSPORT LOCK	02
41	0501068994	0.3" X 3.1" LOCK PIN	02
42	0503030168	HAIR PIN	02
43	0501069643	890 TURNBUCKLE	02
44	0503010962	5/8" X 1-1/4" BOLT	04
45	0501050633	DISC ASSY FOR ROW MARKER	02
46	0511064808	DRAWBAR	01
47	0511062833	DRAWBAR FIXATION REAR SUPPORT	02
48	0531012341	DRAWBAR BODY SUPPORT FIXATION	04
49	0503011084	3/4" X 5" BOLT	04
50	0501010322	FLAT WASHER	04
51	0503010023	SPRING WASHER	04
52	0503010014	3/4" NUT	04
53	0511062834	DRAWBAR SUPPORT FRONT FIXATION	02
54	0531012336	1.4" X 5.35" COUPLING SHAFT	02
55	0503030119	LOCK PIN	02
56	0503060100	HAND BOOK COMPARTMENT	01
57	0503010358	5/16" X 5/8" BOLT	01
58	0503010179	SPRING WASHER	01
59	0503010337	5/16" NUT	01
60	0503010267	NYLON CLAMP	01
61	0541012017	DRAWBAR LOCK PLATE	01
62	0521010577	0.9" X 4.1" COUPLING SHAFT	01
63	0501051160	TRACTOR HITCH PIN	01
63A	0502040556	HITCH TURNER	01
63B	0521010681	BUSHING COUPLING BODY	01
63C	0521010639	COUPLING SHAFT	01
63D	0503010571	1/4" X 1.1/2 COTTERPIN	01
64	0501047881	COUPLING SHAFT	01
64A	0501068989	COUPLING SHAFT	01
64B	0503031035	HAIR PIN	01
65	0541011767	HOSE FIXATION	01
66	0503010751	C3/8" X 1.1/4" HEX BOLT G.5	02
67	0503030085	LOCK PIN	03
68	0501057585	DRAWBAR TURNBUCKLE	01
68A	0501069529	653 TURNBUCKLE	01
68B	0551015215	RIGHT TURNBUCKLE	01
68C	0511060559	LEFT TURNBUCKLE	01
68D	0501061056	RH LOCKNUT WITH HANDLER	01
68E	0503010002	1800 GREASE FITTING	02
69	0503031436	AIR DITRIBUTOR PUMP	04
70	0521018570	2 X 86.6" HOSE ASS ^a Y	02
71	0551015618	2" X 2900 HOSE ASSY	02
72	0541016339	2" X 142.1" HOSE	02
73	0503010246	CLAMP	14
74	0521018532	1.4" X 12" COUPLING SHAFT	01
75	0909094789		01



Item	Code	Description	QT
01	0511053904	ROW MARKER DISC	01
02	0503010023	SPRING WASHER	01
03	0503010014	3/4" NUT	01



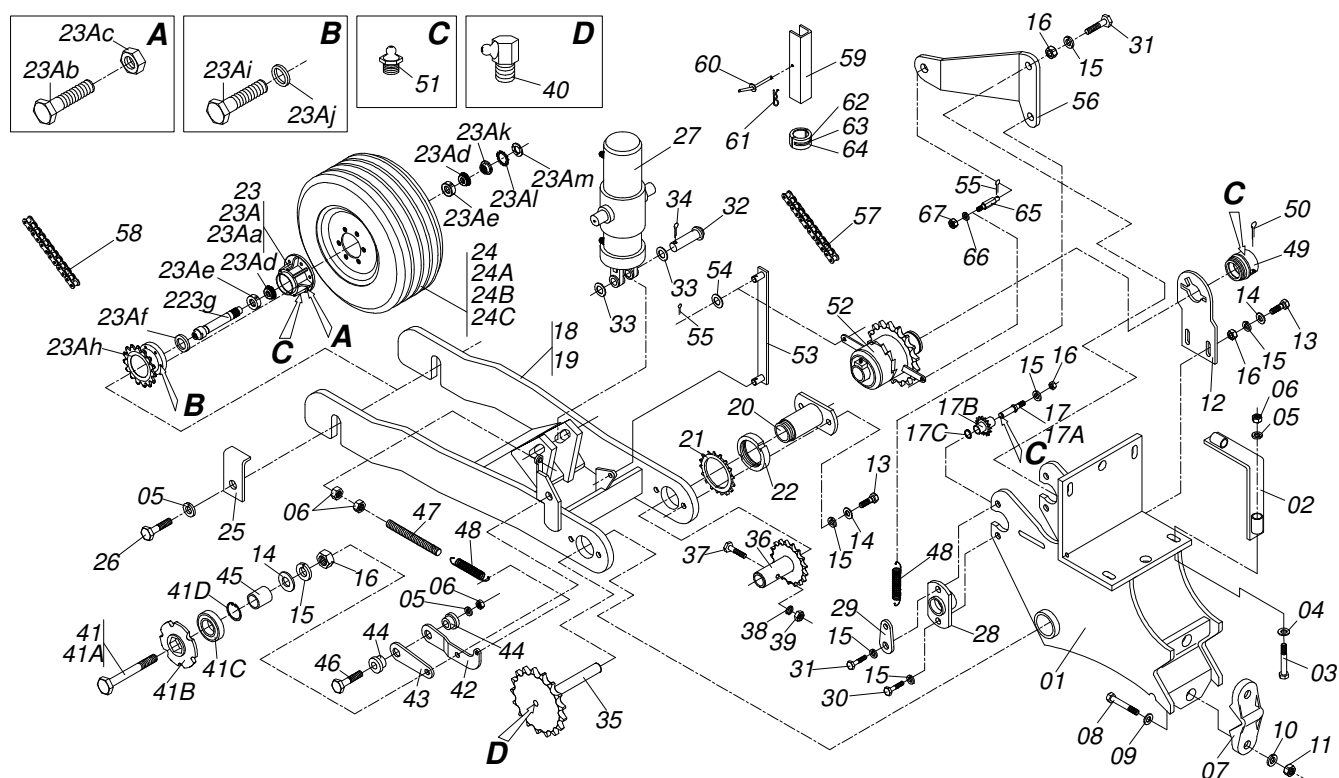
Item	Code	Description	QT
01	0511066954	REAR TURBINE SUPPORT	01
02	0541012902	FRONT COVER	01
03	0503010237	3/8" X 1" BOLT	04
04	0503010025	3/8" SPRING WASHER	08
05	0503010026	3/8" NUT	06
06	0501054983	NIPPLE HIDRAULIC MOTOR	01
06A	0503012871	HYDRAULIC MOTOR	01
06B	0531018770	R 3/4"UNF X R 1/4"BSP ELBOW	01
06C	0511014065	7/8" NF X R1/2NPT X 52 NIPPLE	02
06D	0541011065	3/4"UNF X R1/4BSP19FPP X43.5 NIPPLE	01
07	0503010849	3/8" X 1-1/2" BOLT	02
08	0531018715	CONTROL VALVE SUPPORT TURBINE	01
09	0503010920	1/2" X 1.1/2" BOLT	02
10	0503010019	1/2" SPRING WASHER	03
11	0503010060	1/2" NUT	03
12	0501054577	BLOCK COMMAND	01
12A	0503012291	BLOCK COMMAND	01
12B	0501010590	7/8" REDUCTION NIPPLE	04
12C	0503010045	2-116 N 3006-9B O'RING	04
12D	0541011066	3/4" UNF X 43.5 NIPPLE	01
12E	0503010190	2-114 N 3006-9B O'RING	01
13	0503010206	3/8" X 1/2" BOLT	02
14	0501080927	3/8" X 14" TR-TR HOSE ASSY	01
15	0501080928	1/2" X 14" TR-TR HOSE ASSY	02
16	0501081125	1/2" X 5400 TR-TM HOSE	02
17	0501080409	3/8" X 6000 TC-TM HOSE	01
18	0501053834	MALE QUICK COUPLING AGRICULTURAL WITH	03
19	0541018421	COVER PROTECTION	01
20	0503013758	1/4" X 1-1/2" BOLT	04
21	0511017303	FLAT WASHER	40
22	0511042767	HIDRAULIC TURBINE FOR FAN	01
22A	0501110356	MIDDLE FAN HUB FLANGE	01
22B	0531013031	MIDDLE FAN FIXER FLANGE	01



COP SUP ESPANHA
HYDRAULIC TURBINE

Page 3
0909092897

Item	Code	Description	QT
22C	0531013032	MIDDLE FAN FLIP LARGE	05
22D	0531013033	MIDDLE FAN SMALLER FLANGE FEATHERS	05
22E	0531014485	MIDDLE FAN FLIP INOX	05
22F	0502012272	FAN CENTER	01
22G	0503012651	M6 X 1" BOLT	06
22H	0503011776	M6 SELF ADJUSTINGNUT	06
23	0501054272	RIBBON FOR COVER CLOSING ASSY	01
24	0503031776	TURBINE RIBBON SEAL	02
25	0501110388	CONECTOR CENTER WITH COVER REAR	01
25A	0521018267	LARGER TURBINE FRONTAL COVER CENTER	01
25B	0503031649	CONECTOR CENTER	01
25C	0503012722	0.16" X 0.4" BLIND RIVET	16
26	0503010499	5/16" UNC BUTTERFLY NUT	02
27	0511068531	AIR DISTRIBUIDOR	01
28	0503013031	1/4" X 3.1/4" BOLT	15
29	0511014024	10 X 13 X 15,5 SLEEVE	02
30	0503012721	1/4" X 4" BOLT	02
31	0503010179	SPRING WASHER	02
32	0503012880	1/4" UNC SELF ADJUSTING NUT	17
33	0501056495	TURBINE OUTPUT SOCKET	01
33A	0503031812	TURBINE OUTPUT SOCKET	01
33B	0541017539	BUTTERFLY VALVE	01
33C	0511066760	VALVE FIXATION SUPPORT	01
33D	0503013813	1/4" UNC X 7/8" BOLT	02
33E	0503010143	SPRING WASHER	03
33F	0503010144	1/4" NUT	02
33G	0501013519	FLAT WASHER	01
34	0503013096	5/16" X 4" BOLT	02
35	0501010694	FLAT WASHER	02
36	0531018764	FLAT WASHER	01
37	0503011104	M6 X 1" BOLT	01

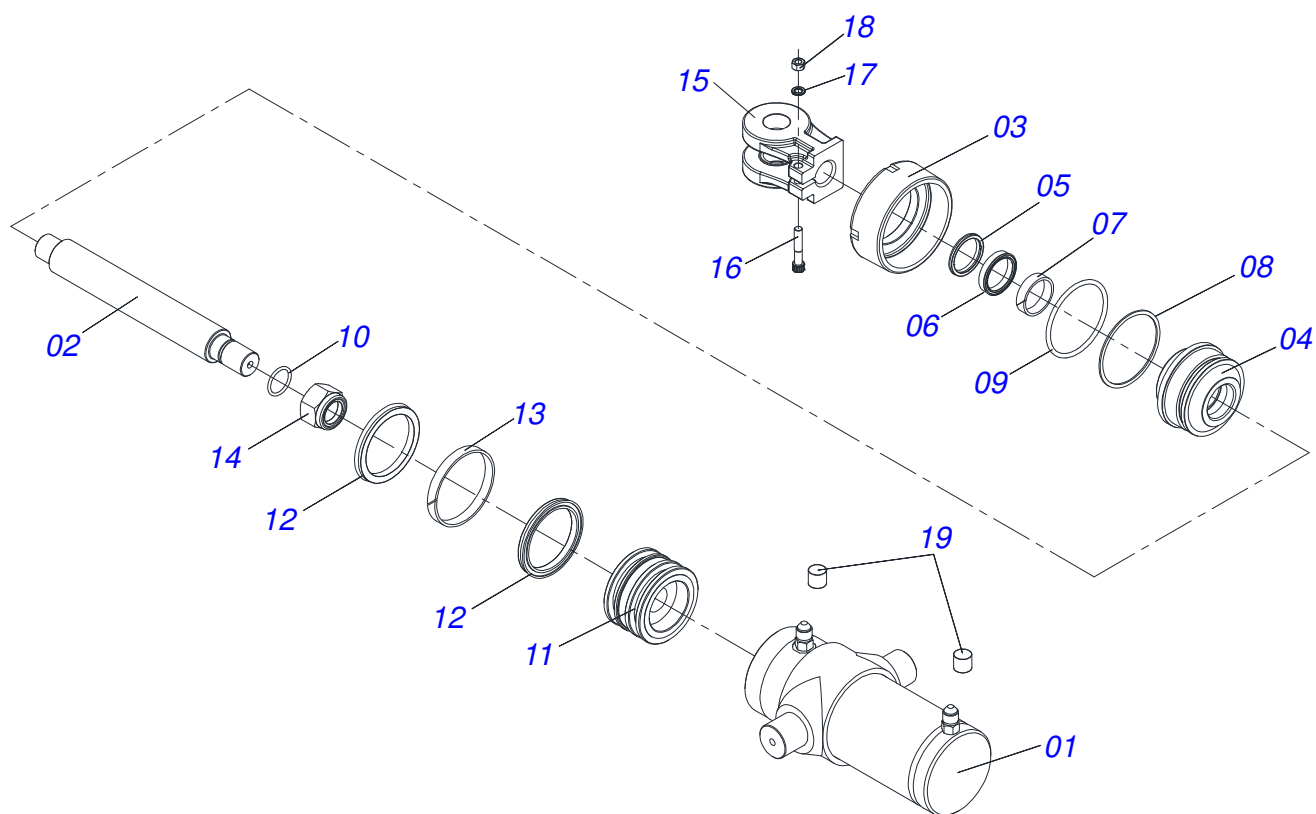


Item	Code	Description	QT
00	0501056022	11L15 WITH LEFT WHEEL SET	01
01	0511061803	WHEEL SUPPORT	01
02	0511061806	WHEEL SUPPORT CLAMP	02
03	0501010452	5/8" X 5" BOLT	04
04	0501012140	FLAT WASHER	04
05	0503010027	SPRING WASHER	07
06	0503010013	5/8" NUT	07
07	0502011308	WHELL FASTENER	01
08	0503013185	3/4" X 5-1/2" BOLT	02
09	0501010322	FLAT WASHER	02
10	0503010023	SPRING WASHER	02
11	0503010014	3/4" NUT	02
12	0531019365	PLATE FIXER BEARING AXIS	01
13	0503010920	1/2" X 1.1/2" BOLT	06
14	0511017302	FLAT WASHER	08
15	0503010019	1/2" SPRING WASHER	15
16	0503010060	1/2" NUT	04
17	0501048672	CHAIN TENSIONER ASSY	01
17A	0521012529	CHAIN TIGHTENER AXLE	01
17B	0503031806	9Z X P 5/8" GEAR	01
17C	0503010302	501019 SEAL RING	01
18	0511065934	LEFT WHEEL FORK	01
19	0511065935	RIGHT WHEEL FORK	01
20	0501110387	WHEEL PIVOT BEARING	02
21	0503012703	LOCK WASHER	02
22	0503012702	KM-12 NUT	02
23	0501055275	11L15 HUB WITH TIRE WHEEL ASSY	01
23A	0501055330	CARRYING WHEEL HUB ASSY WITH TIRE	01
23Aa	0502012261	TIRE FOR WHEEL BOX	01
23Ab	0501010127	9/16" X 1-7/8" LUG BOLT	06
23Ac	0503013001	9/16" CONICAL NUT	06
23Ad	0503010660	25590 CONE	02
23Ae	0503010637	25523 CAP	02

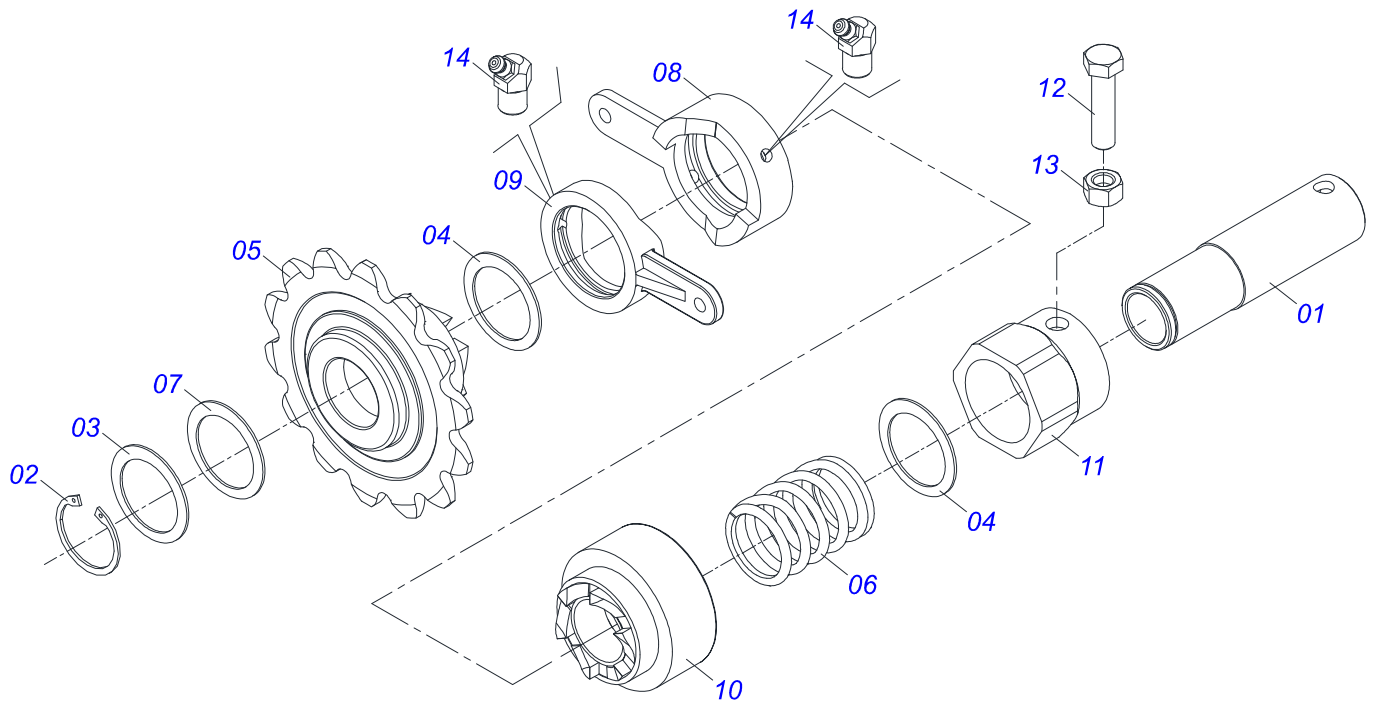


COP SUP ESPANHA
HUB AND SPINDLE ASSY

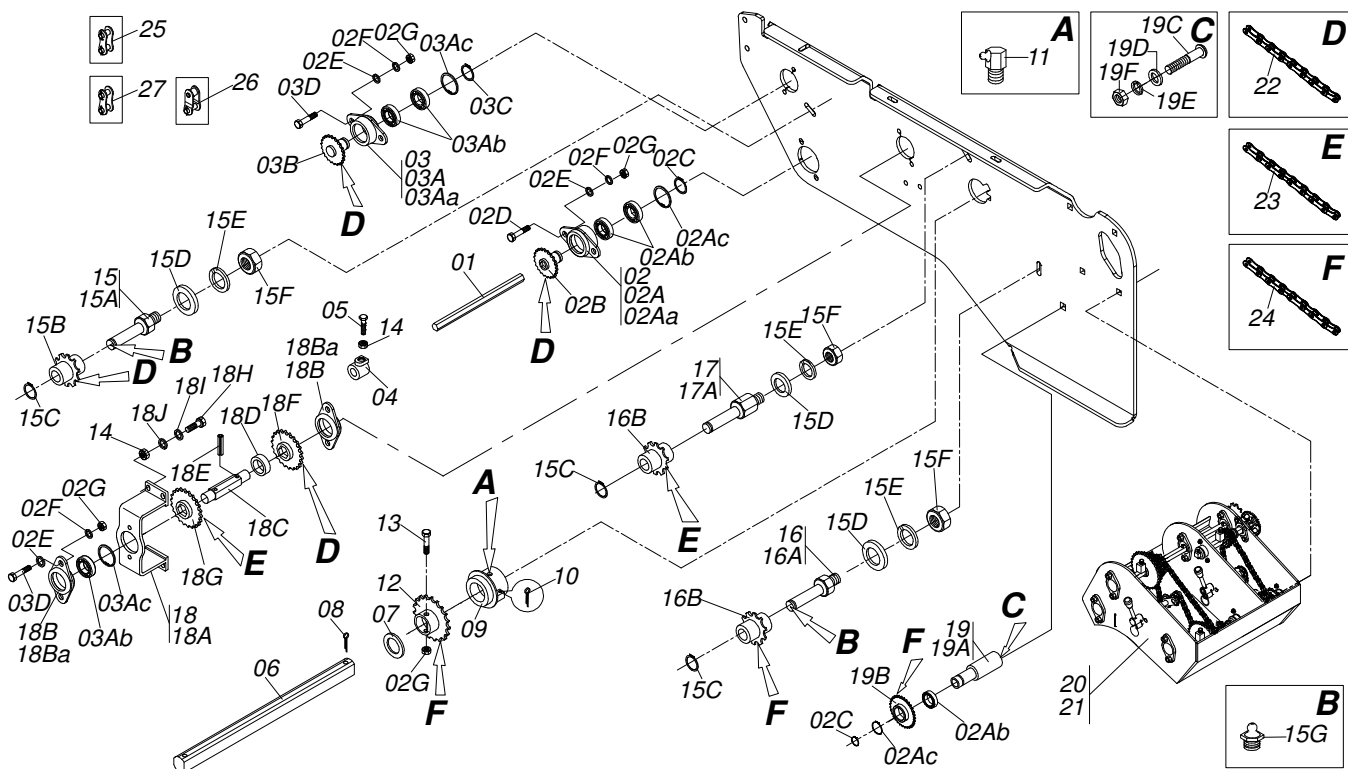
Item	Code	Description	QT
23Af	0503010804	00547-B SEAL	02
23Ag	0541012162	WHEEL BOX AXLE	01
23Ah	0511065460	FLANGE 14Z GEAR	01
23Ai	0503010421	5/16" X 1-1/2" BOLT	06
23Aj	0503011444	SPRING WASHER	06
23Ak	0511015949	LOCK NUT	01
23Al	0503010329	LOCK WASHER	01
23Am	0503010330	KM 9 LOCKNUT	01
24	0503060244	RODA C/ PNEU11L-15 10L 8F COMP GCRO	01
24A	0503012108	RODA 10 LB X 15 X 8F X 203 GCRO	01
24B	0503010860	CAMARA AR 11L 15	01
24C	0503010858	CANVAS TIRE	01
25	0521012190	AXLE LOCK	02
26	0503011188	M16 X 2 X 50 BOLT	02
27	0511043441	HYDRAULIC CYLINDER	01
28	0511066351	FLANGE CYLINDER HYDRAULIC FIXER	02
29	0541014046	SPRING HITCH	01
30	0503010834	1/2 X 1 BOLT	03
31	0503010395	1/2" X 1-1/4" BOLT	01
32	0521010546	1.2" X 5.7" COUPLING SHAFT	01
33	0501017779	FLAT WASHER	02
34	0503010523	1/4" X 2" COTTERPIN	01
35	0511061808	15Z GEAR WITH AXLE,	01
36	0511061809	15Z GEAR WITH COUPLING	01
37	0503011103	7/16" X 2-1/2" BOLT	01
38	0503010180	7/16" SPRING WASHER	01
39	0503010244	7/16" NUT	01
40	0503010004	1890 GREASE FITTING	02
41	0501053522	WHEEL CHAIN TENSIONER	01
41A	0531012640	AXLE CHAIN TIGHTENER	01
41B	0502012018	CHAIN TIGHTENER BEARING	01
41C	0503012882	BALL BEARING	01
41D	0503011945	503050 CLAMPING RING (FOR AXLE)	01
42	0531018654	CHAIN TIGHTENER SUPPORT	01
43	0531018653	CHAIN TIGHTENER MINOR SUPPORT	01
44	0531016916	SLEEVE BEARING SUPPORT	02
45	0531012678	4.5" X 0.9" X 0.2" SLEEVE	01
46	0503010899	5/8" X 2-1/4" BOLT	01
47	0501013491	5/8" TENSIONER SPRING	01
48	0503031103	0.9" X 4.1" X 0.1" TRACTION SPRING	01
49	0501110025	AGRICULTURAL BEARING	01
50	0503010257	1/8" X 1" COTTERPIN	01
51	0503010002	1800 GREASE FITTING	01
52	0511040424	RH TRANSMISSION DRIVING ASSY	01
53	0511061837	PIVOT ARM ASSY	01
54	0501010984	FLAT WASHER	02
55	0503010140	1/8" X 3/4" COTTERPIN	02
56	0531016050	RATCHET DISARMAMENT SUPPORT	01
57	0503012708	2050 CHAIN X 34 LINKS + REDUCTION	01
58	0503012570	CHAIN 2050 X 2.8" LINK + MENDING	01
59	0521013022	TRANSPORT LOCK	01
60	0501068994	0.3" X 3.1" LOCK PIN	01
61	0503030168	HAIR PIN	01
62	0501047885	ROD STOP	04
63	0501047886	ROD STOP	04
64	0501047887	ROD STOP	04
65	0521015800	REAR LEVER FASTENER	01
66	0503010025	3/8 SPRING WASHER	01
67	0503010026	3/8" NUT	01



Item	Code	Description	QT
00	0511043441	HYDRAULIC CYLINDER	01
01	0511064535	4" X 6.5" CYLINDER CASE	01
02	0541015527	1.7" X 13.8" TURNBUCLE BODY	01
03	0502010017	4" HEAD	01
04	0502010841	RING OF SUPPORT	01
05	0503010761	D-1750 SCRAPER RING	01
06	0503010990	GASKET	01
07	0503010949	W2-2000-500 PK RING G.E	01
08	0503011061	8-342 BACK-UP RING	01
09	0503010338	2-342 N 3006-9B O'RING	01
10	0503010345	2-218 N 3006-9B O'RING	01
11	0502010793	1.7" X 4" PISTON	01
12	0503010043	PACKING 3750-3250	02
13	0503010994	W2-4000-500 PK RING G.E	01
14	0503010817	1-1/4" SELF-ADJUSTING NUT	01
15	0502040747	FORK	01
16	0503011094	3/8" X 2" BOLT C C S I 12.9	01
17	0503010025	3/8 SPRING WASHER	01
18	0503010026	3/8" NUT	01
19	0503030385	PLUG	02
20	0501031979	HYDRAULIC CYLINDER REPAIR KIT	01



Item	Code	Description	QT
01	0521017590	GUIDE AXLE	01
02	0503010542	501045 CLAMPING RING (FOR AXLE)	01
03	0521017593	FLAT WASHER	01
04	0501019734	FLAT WASHER	02
05	0502011329	14Z GEAR WITH RIGHT DRAGGER	01
06	0503030553	2.3"X 2.5"X 0.2"COMPRESSION SPRING	01
07	0501019735	FLAT WASHER	02
08	0502010710	RIGHT CAM, SMALLER	01
09	0502010711	RIGHT CAM,LARGER	01
10	0502012009	DRIVING AXLE RIGHT FOLLOWER	01
11	0502011996	SLLEVE FIXER	01
12	0503030678	1/2"X1-1/2"BOLT	01
13	0503010060	1/2" NUT	01
14	0503010003	1845 GREASE FITTING	02

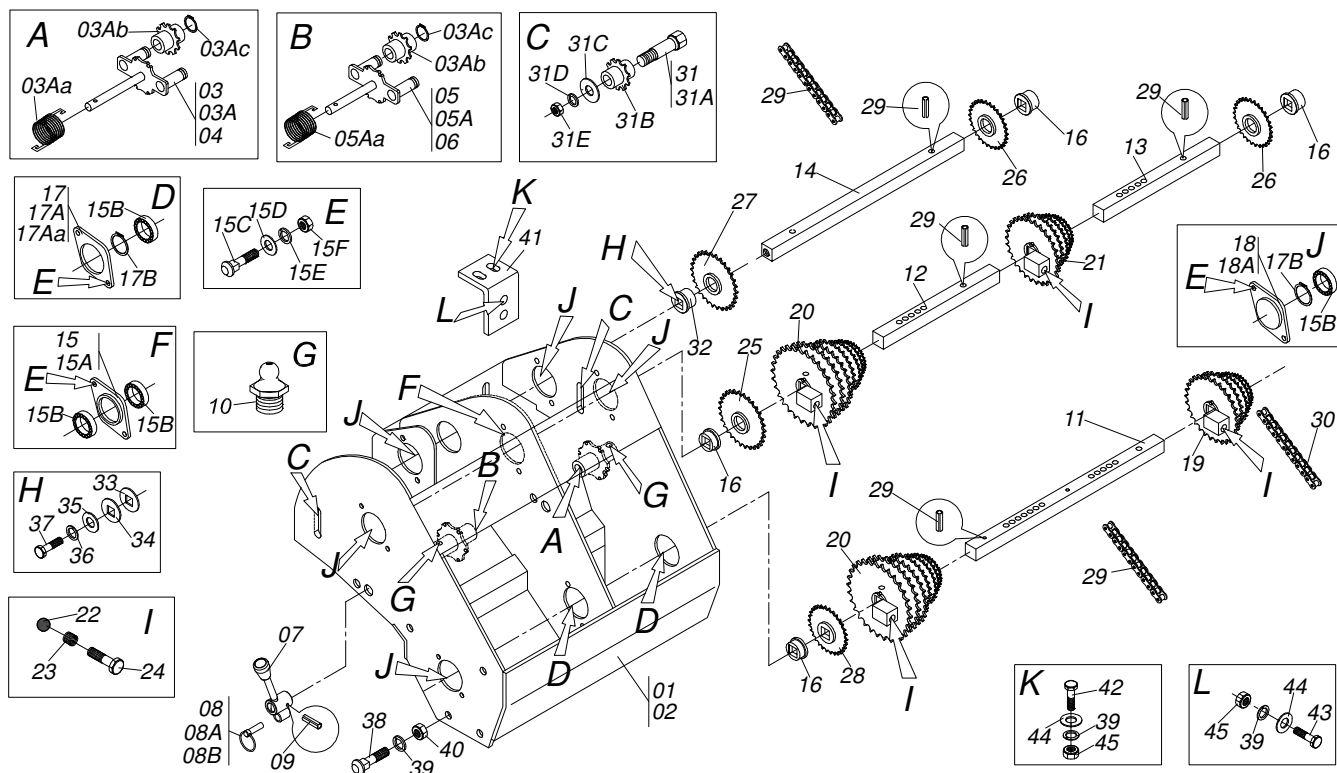


Item	Code	Description	QT
01	0531013213	3/4" X 79" HEX AXLE	02
02	0501053653	BEARING WITH 20Z GEAR	02
02A	0501053654	5/8 DOUB BEARING OF THE SEED TRANSM	02
02Aa	0502012031	HOUSING BEARING	02
02Ab	0503012861	6006 2RS BALL BEARING	06
02Ac	0503012858	502075 CLAMPING RING (FOR HOLE)	04
02B	0511063185	20Z GEAR WITH HEX HOLE AXLE, 20	02
02C	0503010707	501030 CLAMPING RING (FOR AXLE)	04
02D	0503010365	NUT	04
02E	0501010694	FLAT WASHER	12
02F	0503010179	SPRING WASHER	12
02G	0503010337	5/16" NUT	14
03	0501053610	BEARING WITH 17Z GEAR INNER AXLE	02
03A	0501053609	5/8 DOUB BEARING OF THE SEED TRANSM	02
03Aa	0502011987	DOUBLE HOUSING BEARING	02
03Ab	0503011410	ROLLER BEARING	06
03Ac	0503011105	SEAL RING	04
03B	0511062626	MIDDLE BEARING AXLE	02
03C	0503010406	501025 CLAMPING RING (FOR AXLE)	02
03D	0503010371	5/16" X 1" BOLT	04
04	0511063123	BUSHING WITH NUT	02
05	0503010237	3/8" X 1" BOLT	02
06	0521018301	MOTOR SHAFT	02
07	0501018466	FLAT WASHER	04
08	0503010010	1/4" X 2.1/2" COTTERPIN	02
09	0501110025	AGRICULTURAL BEARING	04
10	0503010257	1/8" X 1" COTTERPIN	04
11	0503010004	1890 GREASE FITTING	04
12	0511064105	17Z P 5/8" RH 1.4" GEAR	02
13	0503010937	5/16" X 3" BOLT	02
14	0503010026	3/8" NUT	10
15	0501048672	CHAIN TENSIONER ASSY	02
15A	0521012529	CHAIN TIGHTENER AXLE	02



COP SUP ESPANHA
TRANSMISSION

Item	Code	Description	QT
15B	0503030402	PULLEY	02
15C	0503010302	501019 SEAL RING	06
15D	0511017302	FLAT WASHER	06
15E	0503010019	1/2" SPRING WASHER	06
15F	0503010060	1/2" NUT	06
15G	0503010002	1800 GREASE FITTING	04
16	0501053602	CHAIN TENSIONER ASSY	02
16A	0531012356	CHAIN TENSIONER AXLE	02
16B	0503031805	11Z 1/2" GEAR	04
17	0501052810	TRANSMISSION CHAIN TENSIONER ASSY	02
17A	0521018933	113 FERT CHAIN TENSIONER AXLE	02
18	0501053846	MIDDLE BEARING OF THE TRANSMISSION	02
18A	0511063266	INTERMEDIARY BEARING SUPPORT	02
18B	0501052775	ROW SEED BEARING	04
18Ba	0502011697	BEARING OF THE GEAR BOX	04
18C	0531013674	INTERMEDIATE AXLE	02
18D	0541011184	1.1" X 2" X 0.7" SLEEVE	02
18E	0503010292	0.2" X 1.6" SPRING PIN	04
18F	0511063268	20Z P1/2" GEAR FOR HEX AXLE, 1"	02
18G	0511063267	26Z P1/2" GEAR FOR HEX AXLE, 1"	02
18H	0503010751	C3/8" X 1.1/4" HEX BOLT G.5	08
18I	0501010984	FLAT WASHER	08
18J	0503010025	3/8 SPRING WASHER	08
19	0501052788	CHAIN TENSIONER ASSY	02
19A	0521018415	TIGHTENER AXLE	02
19B	0511061836	17Z GEAR	02
19C	0501011234	5/8" X 3" BOLT	02
19D	0501012140	FLAT WASHER	02
19E	0503010027	SPRING WASHER	02
19F	0503010013	5/8" NUT	02
20	0511045905	RIGHT GEAR BOX ASSY	01
21	0511045906	LEFT GEAR BOX ASSY	01
22	0503012717	40-1 CHAIN X 101 LINK + MENDING	02
23	0503012718	40-1 CHAIN X 111 LINK + MENDING	04
24	0503012716	CHAIN 50-1 X 3.7" LINK + MENDING	02
25	0503011750	AMENDMENT WITH LOCK	01
26	0503011751	REDUCTION	01
27	0503010543	AMENDMENT WITH LOCK	01

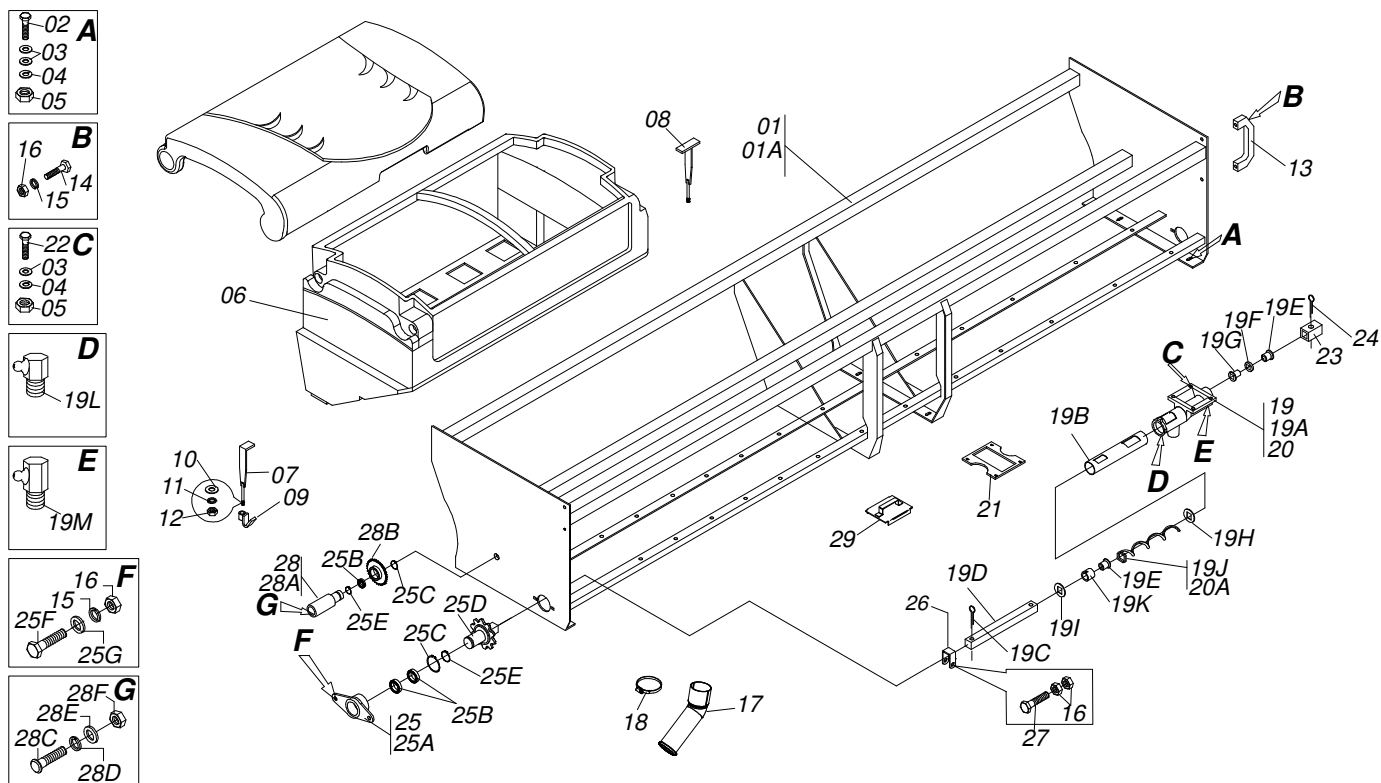


Item	Code	Description	QT
00	0511045905	RIGHT GEAR BOX ASSY	01
00A	0511045906	LEFT GEAR BOX ASSY	01
01	0511061792	GEAR BOX RIGHT SUPPORT	01
02	0511061793	GEAR BOX LEFT SUPPORT	01
03	0501052778	CHAIN TENSIONER ASSY	01
03A	0511061794	CHAIN TENSIONER	01
03Aa	0503031367	SPRING	02
03Ab	0503031805	11Z 1/2" GEAR	06
03Ac	0503010302	501019 SEAL RING	04
04	0501052776	CHAIN TENSIONER ASSY	01
05	0501052777	CHAIN TENSIONER ASSY	01
05A	0511061795	CHAIN TENSIONER	01
05Aa	0503031366	RH TORSION SPRING	01
06	0501052779	CHAIN TENSIONER ASSY	01
07	0502011758	REAR TENSIONER LEVER	02
08	0501048790	AXLE WITH LINK ASSY	02
08A	0521012476	GEAR BOX LEVER AXLE	02
08B	0503031369	LINK	01
09	0503010292	0.2" X 1.6" SPRING PIN	06
10	0503010002	1800 GREASE FITTING	02
11	0521018258	DRIVER AXLE	01
12	0521018259	DRIVEN AXLE	01
13	0521018256	DRIVEN AXLE	01
14	0521018257	INTERMEDIATE AXLE	01
15	0501056447	CENTRAL BEARING GEAR BOX	01
15A	0502011978	HOUSING CENTRAL BEARING	01
15B	0503013462	BEARING WITH BALL BEARING	09
15C	0503011953	5/16" X 1" BOLT	16
15D	0501010694	FLAT WASHER	16
15E	0503010179	SPRING WASHER	16
15F	0503010337	5/16" NUT	16
16	0503030303	SUPPORT WASHER	04
17	0501056443	BEARING ASSY GEAR BOX	02



COP SUP ESPANHA
GEAR BOX ASSY

Item	Code	Description	QT
17A	0501056444	BEARING WITH BALL BEARING	02
17Aa	0502011697	BEARING OF THE GEAR BOX	02
17B	0503011105	SEAL RING	07
18	0501056271	GEAR BOX CLOSE BEARINGONE	05
18A	0502012310	GEAR BOX CLOSE BEARING	05
19	0511067529	SEED SYSTEM MOTOR AXLE CONE	01
20	0511060396	DRIVE/DRIVEN AXLE CONE	02
21	0511066097	SEED SYSTEM DRIVEN AXLE CONE	01
22	0503012389	1/2 BALL	04
23	0503031512	0.4" X 0.1"X 2" X 0.6" SPRING	04
24	0503010395	1/2" X 1-1/4" BOLT	04
25	0511061822	25Z P0.5" GEAR SQUARE HOL	01
26	0511061830	17Z P 0.5" GEAR SQUARE HOL	02
27	0511061759	22Z P12,70 FQ 3/4" GEAR	01
28	0501069874	17Z P 0.6" GEAR SQUARE HOLE 3/4"	01
29	0503012204	40-1 CHAIN X 82 LINK + RED	02
30	0503012713	40-1 CHAIN X 45 LINK + MEN	01
31	0501054655	CHAIN TENSIONER ASSY	02
31A	0531019398	AXLE TENSIONER CHAIN GEAR BOX	02
31B	0503031805	11Z 1/2" GEAR	02
31C	0511017302	FLAT WASHER	02
31D	0503010019	1/2" SPRING WASHER	02
31E	0503010060	1/2" NUT	02
32	0503030275	AGRICULTURAL BEARING	01
33	0511017136	FLAT WASHER	01
34	0501010637	FLAT WASHER	01
35	0501010984	FLAT WASHER	01
36	0503010025	3/8 SPRING WASHER	01
37	0503010256	3/8" X 3/4" BOLT	01
38	0501010243	1/2" X 1-1/2" BOLT	04
39	0503010019	1/2" SPRING WASHER	08
40	0503010020	1/2"NUT	04
41	0521011997	LOWER BODY LOCK	01
42	0503010920	1/2" X 1.1/2" BOLT	02
43	0503011082	C1/2" X 1.3/4" BOLT	02
44	0511017302	FLAT WASHER	08
45	0503010060	1/2" NUT	04

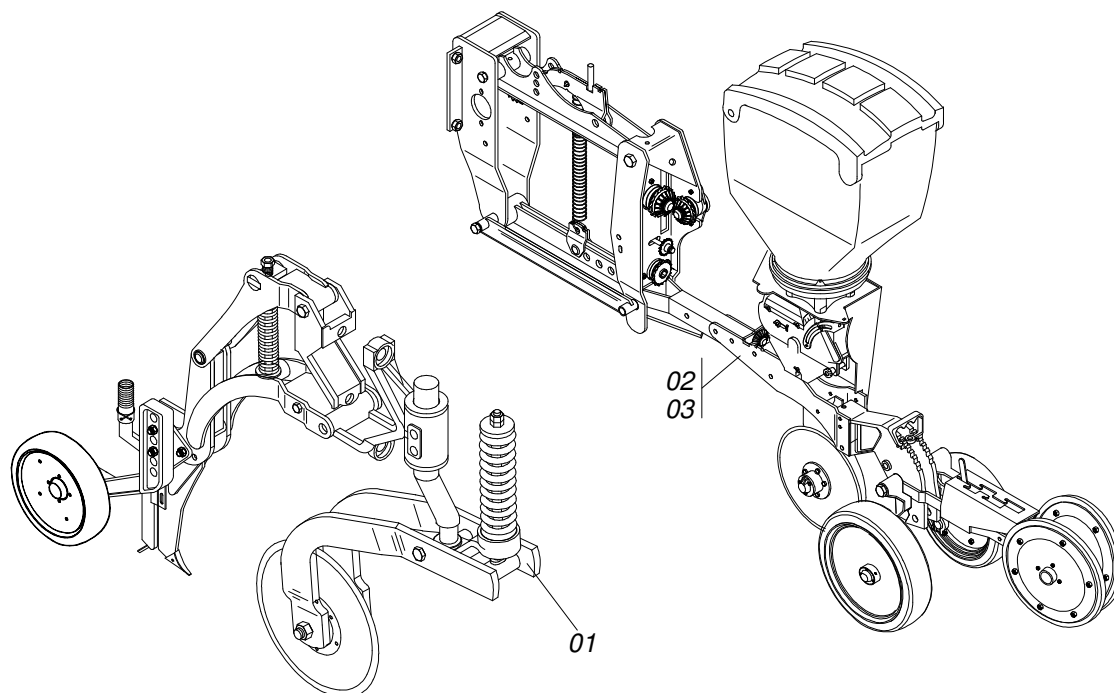


Item	Code	Description	QT
01	0501052813	BEAM SUPPORT & METERING	01
02	0503010849	3/8" X 1-1/2" BOLT	08
03	0501010984	FLAT WASHER	16
04	0503010025	3/8 SPRING WASHER	08
05	0503010026	3/8" NUT	08
06	0503060444	FERTILIZER HOPPER WITH 5 TRUNNELS	02
07	0511061884	FERTILIZER BEAM CLAMP	02
08	0511061885	FERTILIZER BEAM DOBLE CLAMP	01
09	0511061886	FERTILIZER BEAM LOCK	03
10	0511017302	FLAT WASHER	03
11	0503010019	1/2" SPRING WASHER	03
12	0503010060	1/2" NUT	03
13	0503011957	PMC 596-S NYLON LUG	02
14	0503010371	5/16" X 1" BOLT	04
15	0503010179	SPRING WASHER	08
16	0503010337	5/16" NUT	12
17	0503011050	LOWER LEVER	09
18	0503010246	CLAMP	09
19	0501052806	RIGHT FERTILIZER METERING	04
19A	0501110082	FERTILIZER DISTRIBUTOR BODY	04
19B	0511013789	FERTILIZER TUBE	04
19C	0503013155	1/4" X 1.1/4" COTTERPIN	08
19D	0521018470	3/4" X 15.9" SQUARE SHAFT	04
19E	0503030275	AGRICULTURAL BEARING	08
19F	0501013774	GREASE SEAL	04
19G	0503030303	SUPPORT WASHER	04
19H	0501010637	FLAT WASHER	04
19I	0511017137	FLAT WASHER	04
19J	0503031164	RIGHT HELICAL CONDUTOR	04
19K	0521010309	SLEEVE INTER	04
19L	0503012826	CREASE FITTING	04
19M	0503011962	GREASE FITTING	04
20	0501052807	LH FERTILIZER METERING	05

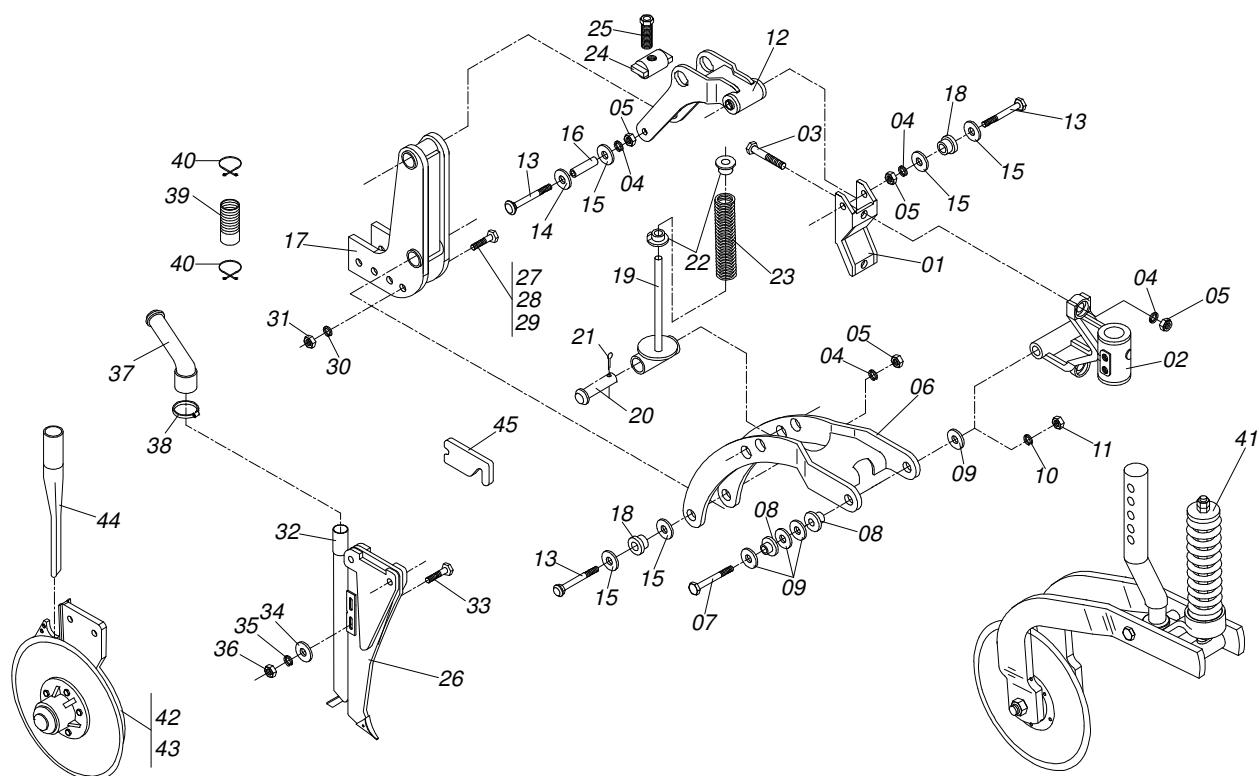


COP SUP ESPANHA
BEAM FERTILIZER

Item	Code	Description	QT
20A	0503031165	LEFT HELICAL CONDUTOR	05
21	0511062163	FERTILIZER BEAM LOWER COVER	09
22	0503010751	C3/8" X 1.1/4" HEX BOLT G.5	40
23	0521018471	1.6" X 0.8" SQUARE SLEEVE	07
24	0503010571	1/4" X 1.1/2 COTTERPIN	07
25	0501052805	BEARING FERTILIZER TRANSMISSION	02
25A	0502011971	HOUSING WITH DOUBLE BEARING	02
25B	0503011410	ROLLER BEARING	06
25C	0503011105	SEAL RING	04
25D	0511061875	BEARING AXLE	02
25E	0503010406	501025 CLAMPING RING (FOR AXLE)	04
25F	0503011953	5/16" X 1" BOLT	04
25G	0501010694	FLAT WASHER	4
26	0531018020	U PULLER	8
27	0503010882	5/16" X 2" BOLT	08
28	0501053126	FERTILIZER CHAIN TENSIONER ASSY	02
28A	0521018415	TIGHTENER AXLE	02
28B	0511062169	21Z P 1/2" GEAR	02
28C	0501011234	5/8" X 3" BOLT	02
28D	0501012140	FLAT WASHER	02
28E	0503010027	SPRING WASHER	02
28F	0503012412	HEX SELF ADJUSTING NUT 5/8 UNC S	02
29	0503032624	FERTILIZER BEAN LIP	06



Item	Code	Description	QT
00	0511043669	RIGHT FERTILIZER/SEED ROW ASSY	06
00.	0511043670	LEFT FERTILIZER / SEED ROW ASSY	06
01	0511043594	SCARIFIER SPINDLE FERTILIZER ROW	06
02	0511043667	RIGHT SEED ROW ASSY	06
03	0511043668	LEFT SEED ROW ASSY	06



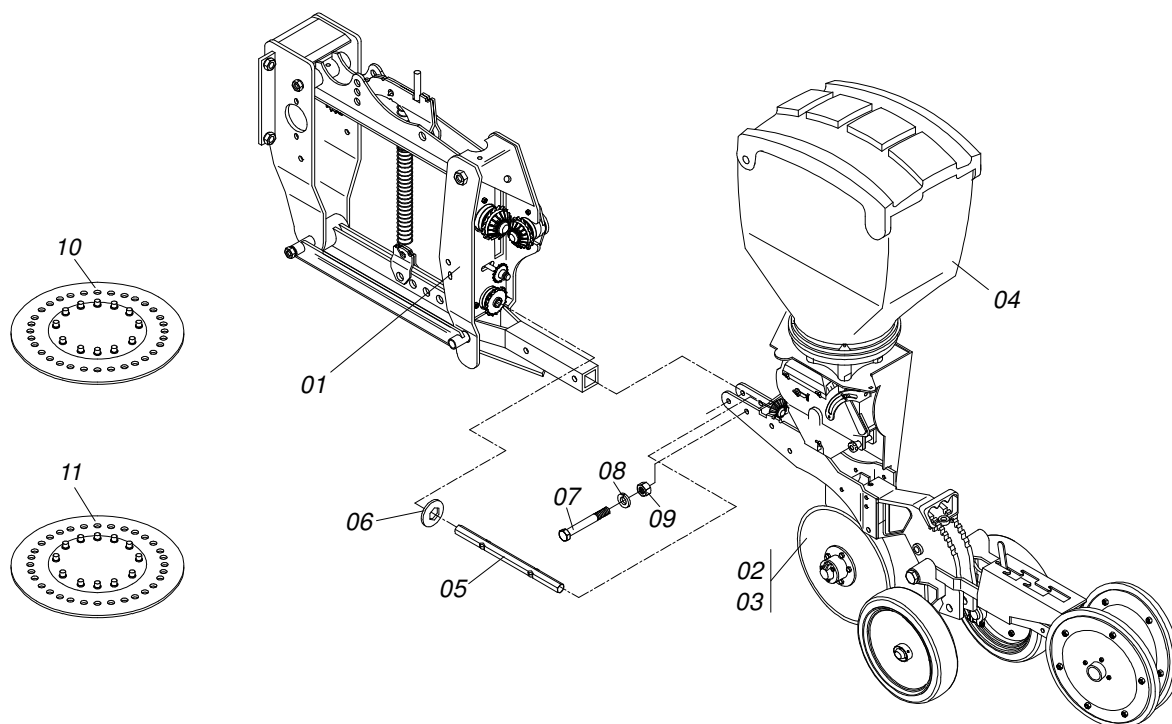
Item	Code	Description	QT
00	0511043594	SCARIFIER SPINDLE FERTILIZER ROW	01
01	0502011814	REAR FIXER	01
02	0502011567	FERTILIZER ROW SUPPORT	01
03	0503010762	5/8" X 3-12" BOLT	02
04	0503010027	SPRING WASHER	05
05	0503012412	HEX SELF ADJUSTING NUT 5/8 UNC S	05
06	0511063863	FERTILIZER ROW LOWER SUPPORT	01
07	0521010066	3/4" X 8.12" BOLT	01
08	0531013498	SUPPORT SLEEVE SPACER	02
09	0511017232	FLAT WASHER	04
10	0503010023	SPRING WASHER	01
11	0503010014	3/4" NUT	01
12	0511063862	FERTILIZER ROW UPPER SUPPORT	01
13	0501010452	5/8" X 5" BOLT	03
14	0531015184	FLAT WASHER	01
15	0531016031	1/2" SPRING WASHER	05
16	0531016207	0.6" X 1" X 2.8" SLEEVE	01
17	0511064999	SHORT FERTILIZER ROW REAR SUPPORT	01
18	0531015207	1.7/8" X 28 X 22 SLEEVE	02
19	0511061796	SPRING GUIDE	01
20	0521016057	COUP SHA OF THE CARRY-W SPRING GUI	01
21	0503010257	1/8" X 1" COTTERPIN	01
22	0502020393	SPRING UPPER SUPPORT	02
23	0503031450	2.7" X 9.2" X 0.03" SPRING	01
24	0521011158	SPRING LOCKNUT	01
25	0521018575	REGULATOR SPINDLE 100	01
26	0501054536	SCARIFIER SPINDLE ASSY	01
27	0503010920	1/2" X 1.1/2" BOLT	02
28	0503010547	1/2" X 4" BOLT	01
29	0531019210	1/2"UNC X 4 BOLT FUSIV	01
30	0503010019	1/2" SPRING WASHER	04
31	0503010060	1/2" NUT	04
32	0511063823	FERT CONDUCTOR WITH REGULATOR	01



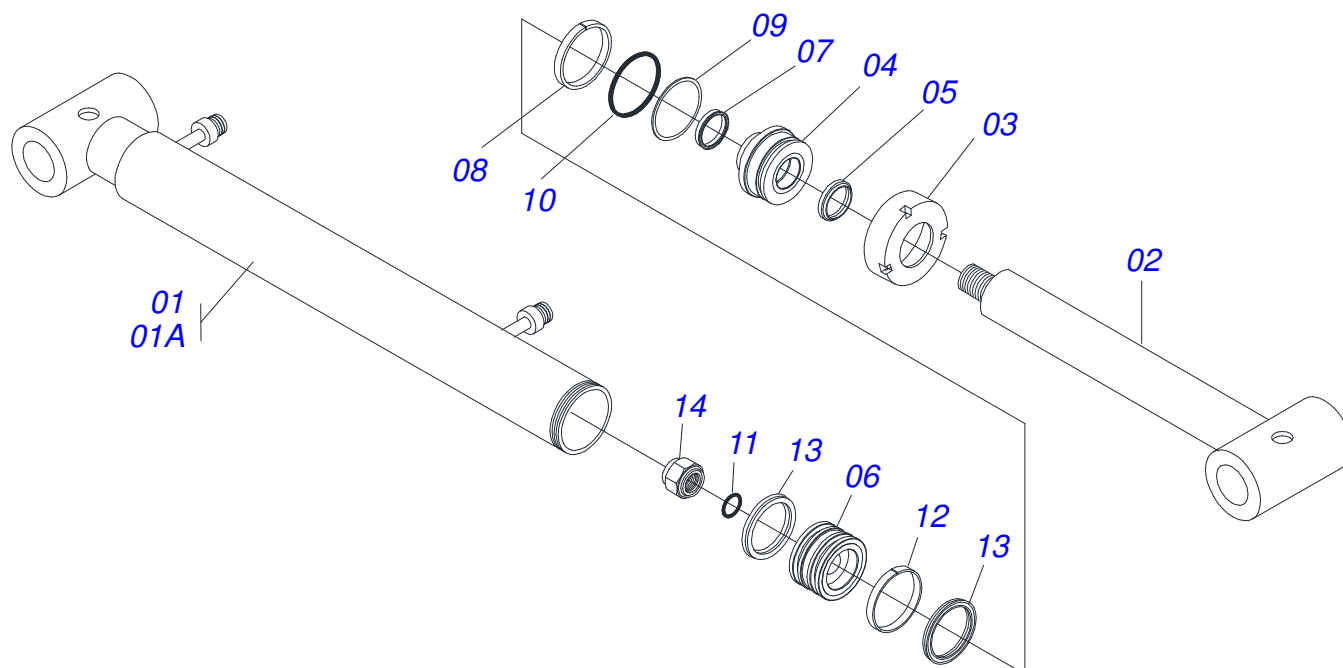
SCARIFIER SPINDLE FERTILIZER ROW

0909092905

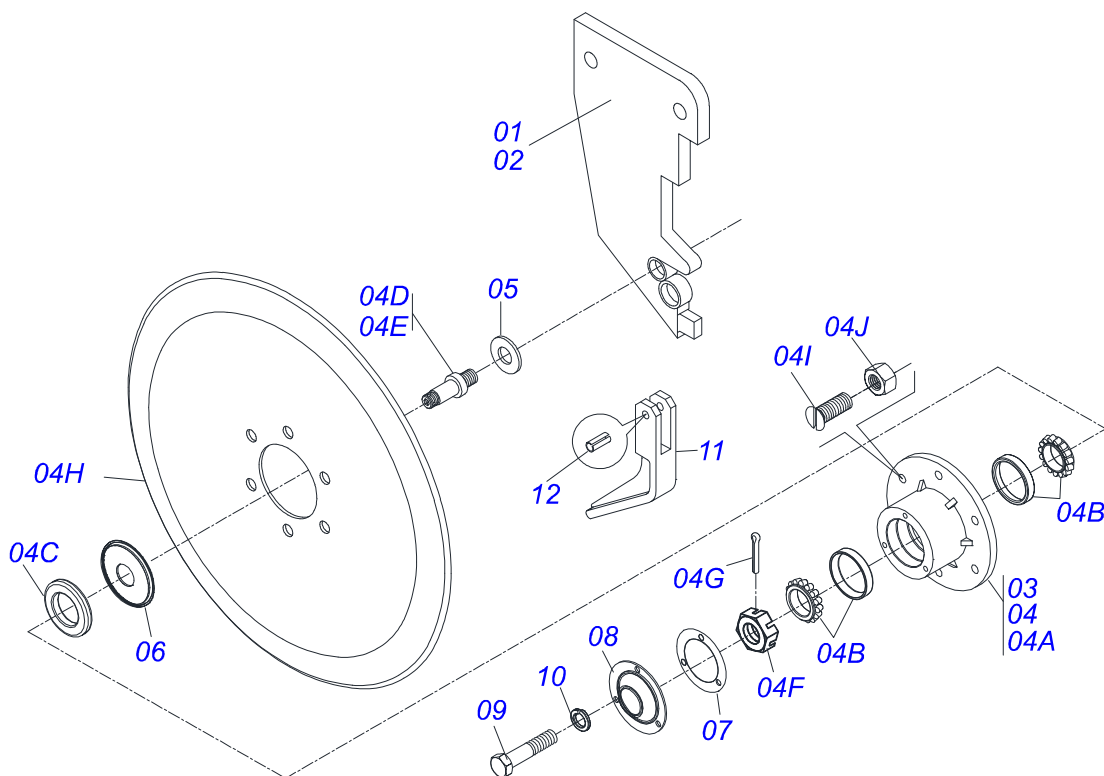
Item	Code	Description	QT
33	0503010751	C3/8" X 1.1/4" HEX BOLT G.5	02
34	0501010984	FLAT WASHER	04
35	0503010025	3/8 SPRING WASHER	02
36	0503010026	3/8" NUT	02
37	0503031050	CURVED CONDUCTOR	01
38	0503010246	CLAMP	01
39	0503013981		01
40	0503031076	2" HOSE CLAMP	02
41	0511044576	ROW 18 BLADE DISC ASSY	01
42	0501052976	15 X 15 RIGHT FERT UNAL DOUB-DISC ASSY	03
43	0501052977	15 X 15 LEF FERT UNAL DOUB-DISC ASSY	03
44	0503030520	SEED SOCKET	06
45	0511018662	SPACING PLATE	12
50	0909092905	SCARIFIER SPINDLE FERTILIZER ROW	



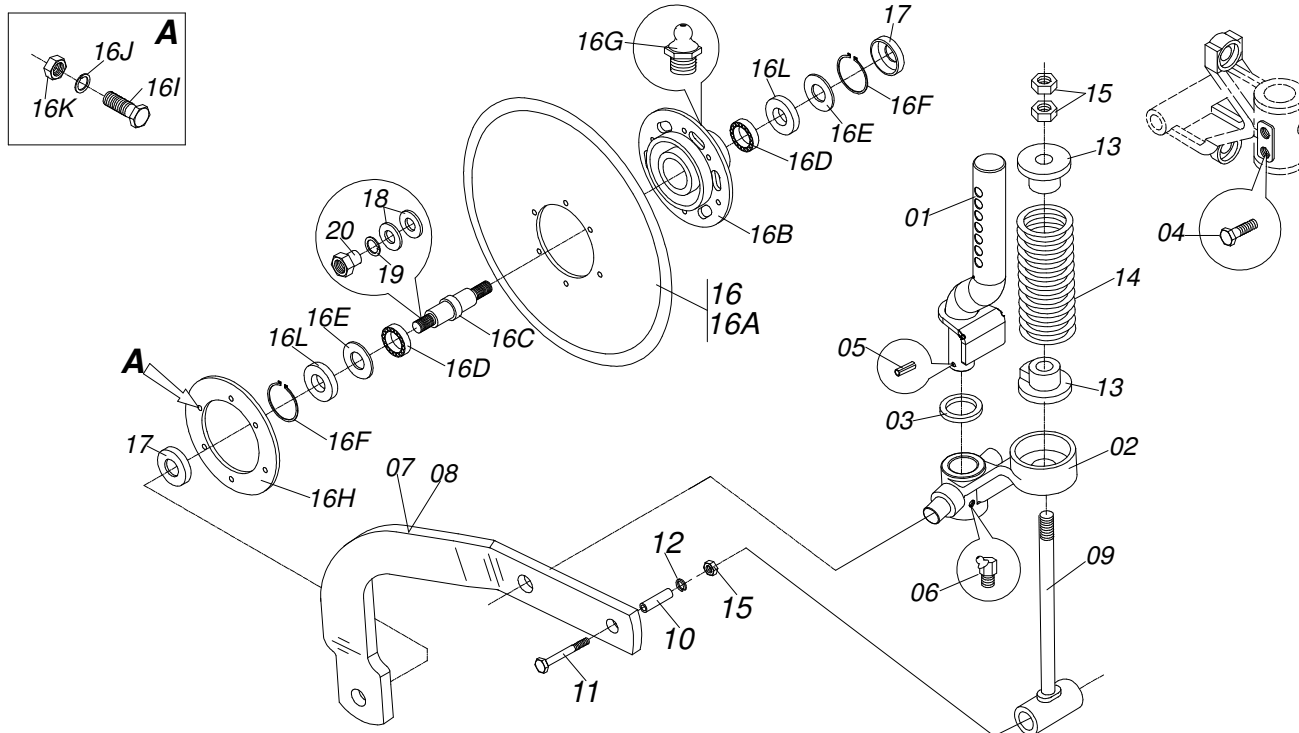
Item	Code	Description	DI ES
00	0511043667	RIGHT SEED ROW ASSY	03
00.	0511043668	LEFT SEED ROW ASSY	03
01	0501053937	SHORT SEED ROW FRONT	03 03
02	0501056113	SEED ROW RIGHT REAR ASSY	03
03	0501056114	SEED ROW LEFT REAR ASSY	03
04	0503060516	SEED BOX WITH SMALLER CAP	03 03
05	0531014201	13" SEED ROW AXLE TRANSMITER	03 03
06	0501013352	FLAT WASHER	06 06
07	0503010752	1/2" X 3.1/2" BOLT	06 06
08	0503010019	1/2" SPRING WASHER	06 06
09	0503010060	1/2" NUT	06 06
10	0503011511	DISC 3245 OF THE SMALL CORN	03 03
11	0503011391	DISC 3230 SUNFLOWER	03 03



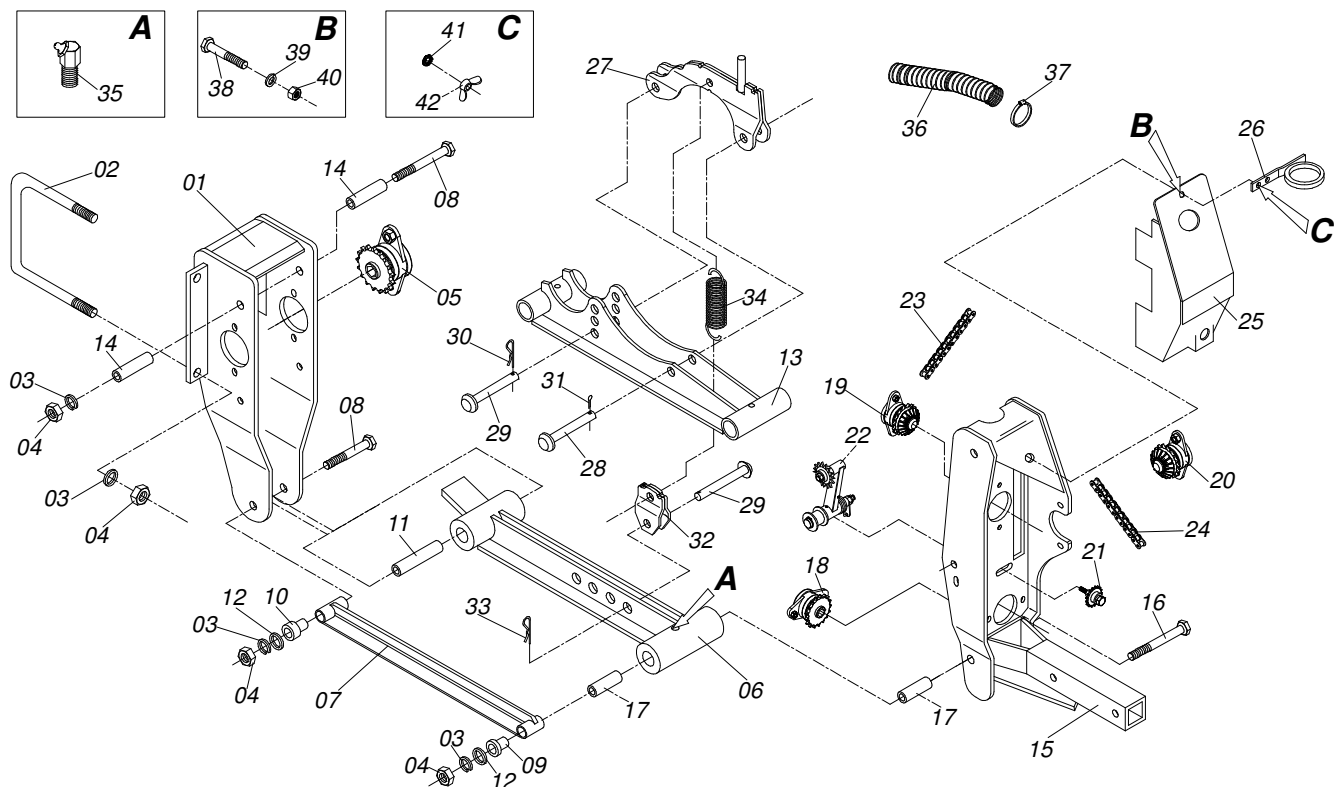
Item	Code	Description	DIR	ESQ
00	0501052977	15 X 15 LEF FERT UNAL DOUB-DISC ASSY	01	
00A	0501052976	15 X 15 RIGHT FERT UNAL DOUB-DISC ASSY		01
01	0502011161	15"X15" LEFT DOUBLE DISC SUPPORT	01	
01A	0502011160	15"X15" RIGHT DOUBLE DISC SUPPORT		01
02	0501054167	DOUBLE DISC HUB WITH 15" COULTER		01
02A	0501054168	LEFT UNAL DOBLE-DISC BOX ASSY	01	
02Aa	0502011930	DOUBLE DISC COULTER BOX	01	01
02Ab	0503010598	30204 BALL BEARING	02	02
02Ac	0503011112	SEAL 02376-BRG	01	01
02Ad	0521019154	RIGHT DOUB DISC HUB		01
02Ae	0521019148	LEFT DOUBLE DISC HUB	01	
02Af	0503030282	3/4" CASTLE NUT	01	01
02Ag	0503010257	1/8" X 1" COTTERPIN	01	01
02Ah	0603022042	13" X 0.12" PLAIN COULTER BLADE	01	01
02Ai	0503010546	5/16" X 7/8" BOLT	06	06
02Aj	0503010337	5/16" NUT	06	06
02Ak	0511015098	FLAT WASHER	02	02
02Al	0511011927	DUST CLOAK	02	02
02Am	0503030757	2.9" X 2" X 0.02" JOINT	02	02
02An	0521019178	COVER DEPTH	02	02
02Ao	0503014729	1/4" UNF X 1/2" BOLT	06	06
02Ap	0503010143	SPRING WASHER	06	06
03	0501017542	LH DOUBLE DISC SCRAPER	01	01
04	0501017541	RH DOUBLE DISC SCRAPER	01	01
05	0503010751	C3/8" X 1.1/4" HEX BOLT G.5	01	01
06	0501010984	FLAT WASHER	02	02
07	0503011443	SPRING WASHER	01	01
08	0503010026	3/8" NUT	01	01
09	0502070062	SCRAPER	01	01
10	0503011402	0.2" X 0.8" SPRING PIN	01	01



Item	Code	Description	QT
00	0501052988	RIGHT 15" X 15" DOUBLE DISC	01
00.	0501052989	LH 15" X 15" DOUBLE DISC	01
01	0501068318	15"X15" RW SEED UNAL DOUB-DISC SUPP	01
02	0501068319	15"X15" LW SEED UNAL DOUB-DISC SUPP	01
03	0501054167	DOUBLE DISC HUB WITH 15" COULTER	01
04	0501054168	LEFT UNAL DOBLE-DISC BOX ASSY	01
04A	0502011930	DOUBLE DISC COULTER BOX	01
04B	0503010598	30204 BALL BEARING	02
04C	0503011112	SEAL 02376-BRG	01
04D	0521019154	RIGHT DOUB DISC HUB	01
04E	0521019148	LEFT DOUBLE DISC HUB	01
04F	0503030282	3/4" CASTLE NUT	01
04G	0503010257	1/8" X 1" COTTERPIN	01
04H	0603022042	13" X 0.12" PLAIN COULTER BLADE	01
04I	0503010546	5/16" X 7/8" BOLT	06
04J	0503010337	5/16" NUT	06
05	0511015098	FLAT WASHER	02
06	0511011927	DUST CLOAK	02
07	0503030757	2.9" X 2" X 0.02" JOINT	02
08	0521019178	COVER DEPTH	02
09	0503013758	1/4" X 1-1/2" BOLT	06
10	0503010143	SPRING WASHER	06
11	0501067170	UNALIGNED DISC SCRAPER	01
12	0503011402	0.2" X 0.8" SPRING PIN	01



Item	Code	Description	QT
00	0511044576	ROW 18 BLADE DISC ASSY	01
01	0511067044	LONG WHIT BEATER BLADE DISC FIX AXLE	01
02	0502012368	BLADE DISC SUPPORT AXLE	01
03	0541018684	FLAT WASHER	01
04	0511016156	5/8" X 1.1/2" BOLT	02
05	0503010361	SPRING PIN	01
06	0503010003	1845 GREASE FITTING	01
07	0521018935	RIGHT ARM OF THE BLADE DISC	01
08	0521018936	LEFT ARM OF THE BLADE DISC	01
09	0501067323	SPRING REGULATOR	01
10	0521010452	SLEEVE	01
11	0503013185	3/4" X 5-1/2" BOLT	01
12	0503011442	3/4" SPRING WASHER	01
13	0502020393	SPRING UPPER SUPPORT	02
14	0503031341	2.7 X 8 X 0.5 COMPRESSION SPRING	01
15	0503010014	3/4" NUT	03
16	0501052139	18 BLADE DISC WITH FLAT PLAN DISC	01
16A	0603026013	PLAIN COULTER BLADE	01
16B	0502011562	DC PST ACT/ULTR BOX	01
16C	0521013610	BLADE DISC HUB AXLE	01
16D	0503010276	6206 BALL BEARING	02
16E	0503030832	FLAT WASHER	02
16F	0503011800	SEAL RING	02
16G	0503010691	1/4" GREASE FITTING	01
16H	0502020641	BLADE DISC FLANGE	01
16I	0503010371	5/16" X 1" BOLT	06
16J	0503011444	SPRING WASHER	06
16K	0503010337	5/16" NUT	06
16L	0503012417	SEAL	02
17	0521015376	DUST CLOAK	02
18	0511015346	FLAT WASHER	02
19	0503011438	SPRING WASHER	02
20	0521013510	3/4" NUT	02



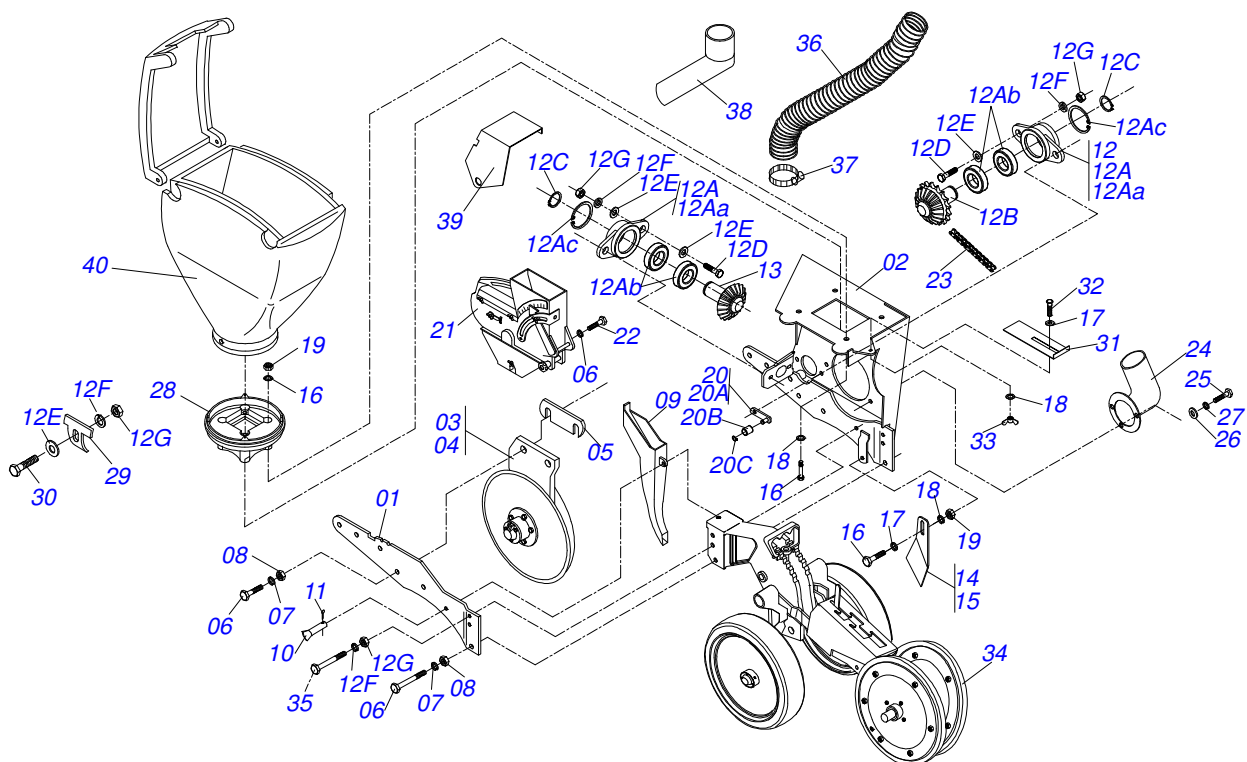
Item	Code	Description	QT
00	0501053937	SHORT SEED ROW FRONT	01
01	0511063860	SEED ROW FIXATION FRONT SUPPORT	01
02	0521010718	5/8" U BOLT	02
03	0503010027	SPRING WASHER	08
04	0503012412	HEX SELF ADJUSTING NUT 5/8 UNC S	08
05	0501053559	BEARING WITH 17Z GEAR	01
06	0502012094	SEED ROW LOWER ARM WITH SPRING	01
07	0511063869	ROW LOWER SUPPORT STABILIZER	01
08	0503010795	5/8" X 7" BOLT	03
09	0531015946	LARGE BUSHING OF THE STABILIZER ARM	01
10	0531015947	LARGE BUSHING OF THE STABILIZER ARM	01
11	0531016205	0.6" X 1" X 3.2" SLEEVE	01
12	0501012140	FLAT WASHER	02
13	0511063020	SEED ROW UPPER ARM	01
14	0531012943	0.6" X 1" X 2.6" SLEEVE	04
15	0511063861	SHORT SEED ROW FRAME	01
16	0503012410	5/8" X 7.1/2" BOLT	01
17	0531016206	0.6" X 1" X 2.3" SLEEVE	02
18	0501053826	BEARING WITH 17Z GEAR	01
19	0501053553	UPPER CENTER BEARING	01
20	0501053552	UPPER SIDE BEARING	01
21	0501054686	GEAR BOX CHAIN TENSIONER	01
22	0501056574	CHAIN TENSIONER ASSY	01
23	0503012706	40-1 CHAIN X 47 LINK + MENDING	01
24	0503012771	40-1 CHAIN X 117 LINK+MENDING+RED	01
25	0503031936	SEED ROW TRANS PROTECTION COVER	01
26	0511063282	HOSE HOLDER	01
27	0511063021	UPPER ROCKER ARM	01
28	0501011388	COUPLING SHAFT	01
29	0521010542	COUPLING SHAFT	02
30	0503030012	HAIR PIN	01
31	0503010577	3/16" X 1-1/4" COTTERPIN	01
32	0511063024	LOWER ROCKER ARM	01



COP SUP ESPANHA
SEED ROW FRONT

Page 16
0909092907

Item	Code	Description	QT
33	0503030168	HAIR PIN	01
34	0503031637	2" X 14" X 0.3" TRACTION SPRING	01
35	0503010003	1845 GREASE FITTING	04
36	0503031808	0.8" X 0.8" X 23" HOSE	01
37	0503011342	3/4" TO 1 CLAMP	01
38	0503010849	3/8" X 1-1/2" BOLT	01
39	0501010984	FLAT WASHER	01
40	0503010026	3/8" NUT	01
41	0503010025	3/8 SPRING WASHER	01
42	0503010209	3/8" UNC BUTTERFLY NUT	01



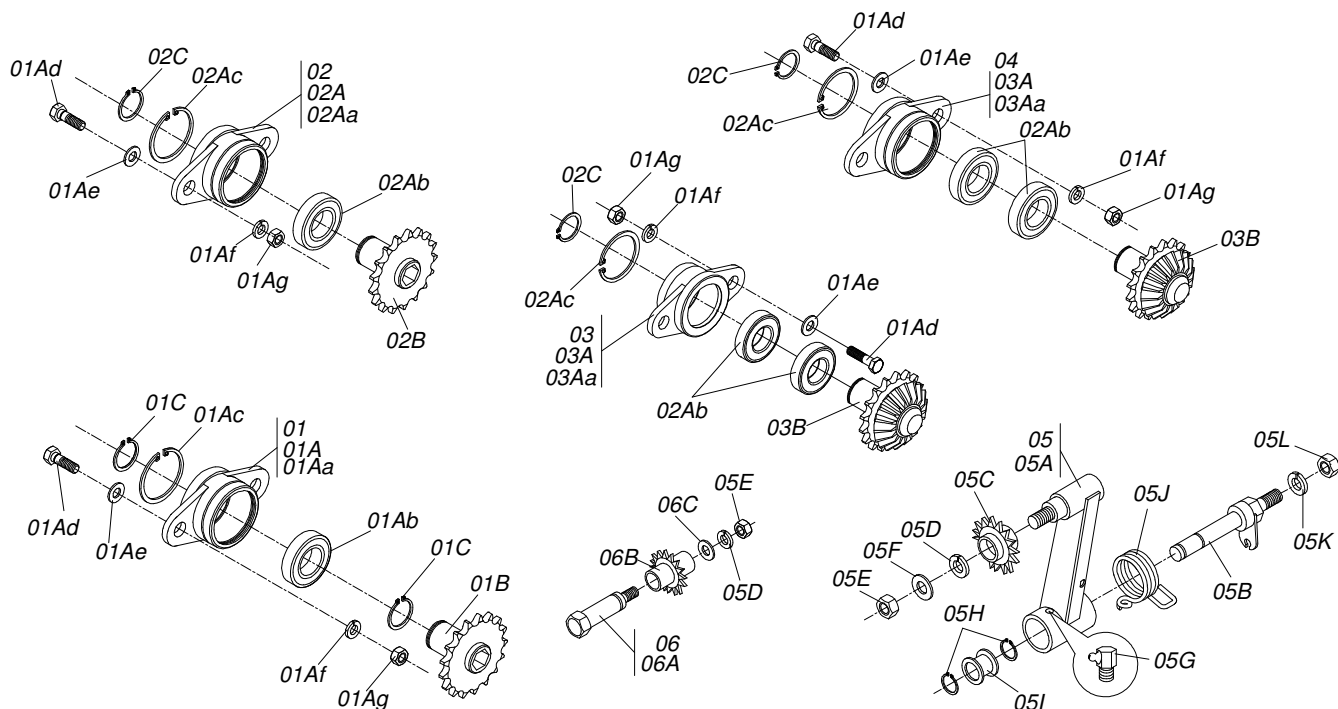
Item	Code	Description	DI ES
00	0501056113	SEED ROW RIGHT REAR ASSY	01
00A	0501056114	SEED ROW LEFT REAR ASSY	01
01	0521018289	LEFT SIDE OF THE SEED DISTRIB SUPP	01 01
02	0511061876	SEED DISTRIBUTOR SUPPORT	01 01
03	0501052988	RIGHT 15" X 15" DOUBLE DISC	01
04	0501052989	LH 15" X 15" DOUBLE DISC	01
05	0511018662	SPACING PLATE	04 04
06	0503010752	1/2" X 3.1/2" BOLT	04 04
07	0503011440	SPRING WASHER	07 07
08	0503010060	1/2" NUT	04 04
09	0503030150	BEND SOCKET	01 01
10	0521011744	0.3" X 3.1" COUPLING SHAFT	01 01
11	0503010140	1/8" X 3/4" COTTERPIN	01 01
12	0501053538	SIDE BEARING	01 01
12A	0501053297	BEARING WITH DOUBLE BALL BEARING	01 01
12Aa	0502011971	HOUSING WITH DOUBLE BEARING	01 01
12Ab	0503011410	ROLLER BEARING	02 02
12Ac	0503011105	SEAL RING	01 01
12B	0511063004	DOUBLE BERING AXLE	01 01
12C	0503010406	501025 CLAMPING RING (FOR AXLE)	03 03
12D	0503010365	NUT	06 06
12E	0501010694	FLAT WASHER	20 20
12F	0503010179	SPRING WASHER	22 22
12G	0503010337	5/16" NUT	22 22
13	0502012254	18Z CONICAL GEAR HEX 1/2	01 01
14	0501017541	RH DOUBLE DISC SCRAPER	01
15	0501017542	LH DOUBLE DISC SCRAPER	01
16	0503010751	C3/8" X 1.1/4" HEX BOLT G.5	05 05
17	0501010984	FLAT WASHER	03 03
18	0503010025	3/8 SPRING WASHER	06 06
19	0503010026	3/8" NUT	05 05
20	0501054144	SEED DISTRIBUTOR CHAIN TENSIONER	01 01
21	0511042211	PNEUMATIC SEED DISTRIBUTOR	01 01



COP SUP ESPANHA
REAR SEED ROW ASSY

Page 17
0909092908

Item	Code	Description	DI	ES
22	0503010428	M12 X 1,75 X30 BOLT	03	03
23	0503011371	CHAIN TR-081 X 1.8" LINK + MENDING	01	01
24	0503031650	TUBE COP SUPREMA	01	01
25	0503011104	M6 X 1" BOLT	03	03
26	0511017303	FLAT WASHER	03	03
27	0503010143	SPRING WASHER	03	03
28	0502011760	SEED SILO SUPPORT	01	01
29	0531010631	SEED BEAM CLAMP	04	04
30	0503010371	5/16" X 1" BOLT	04	04
31	0531018349	SEED FLOW SWITCH PNEUMATIC SYSTEM	01	01
32	0501011643	3/8 X 1"BOLT	01	01
33	0503010209	3/8" UNC BUTTERFLY NUT	01	01
34	0501055844	DEPTH CONTROL WHEEL ASSY	01	01
35	0503010848	5/16" X 3.1/2" BOLT	02	02
36	0503031808	0.8" X 0.8" X 23" HOSE	01	01
37	0503010246	CLAMP	01	01
38	0503031050	CURVED CONDUCTOR	01	01
39	0521018468	PROTECTION COVER	01	01
40	0503060516	SEED BOX WITH SMALLER CAP	01	01



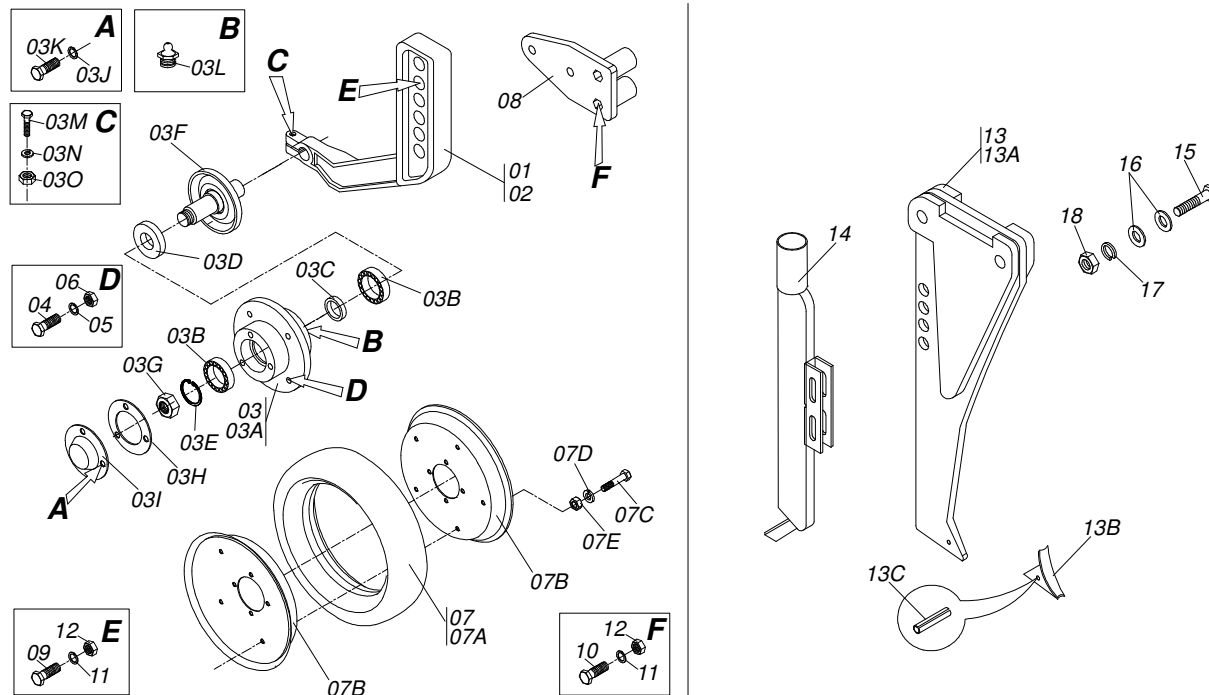
Item	Code	Description	QT
01	0501053559	BEARING WITH 17Z GEAR	01
01A	0501053566	BEARING	01
01Aa	0502012030	HOUSING BEARING	01
01Ab	0503012861	6006 2RS BALL BEARING	01
01Ac	0503012858	502075 CLAMPING RING (FOR HOLE)	01
01Ad	0503010365	NUT	08
01Ae	0501010694	FLAT WASHER	14
01Af	0503010179	SPRING WASHER	08
01Ag	0503010337	5/16" NUT	08
01B	0511063052	17Z GEAR WITH HEX HOLE AXLE, 0.8"	01
01C	0503010707	501030 CLAMPING RING (FOR AXLE)	02
02	0501053826	BEARING WITH 17Z GEAR	01
02A	0501052775	ROW SEED BEARING	01
02Aa	0502011697	BEARING OF THE GEAR BOX	01
02Ab	0503011410	ROLLER BEARING	05
02Ac	0503011105	SEAL RING	03
02B	0502012028	17Z GEAR WITH HEX HOLE AXLE, 0.5"	01
02C	0503010406	501025 CLAMPING RING (FOR AXLE)	03
03	0501053553	UPPER CENTER BEARING	01
03A	0501053297	BEARING WITH DOUBLE BALL BEARING	02
03Aa	0502011971	HOUSING WITH DOUBLE BEARING	02
03B	0511063045	DOUBLE BEARING AXLE	01
04	0501053552	UPPER SIDE BEARING	01
05	0501056574	CHAIN TENSIONER ASSY	01
05A	0511066934	CHAIN TENSIONER	01
05B	0511066935	CHAIN TENSIONER PIVOT AXLE	01
05C	0501056573	17Z GEAR ASSY	01
05D	0503010025	3/8 SPRING WASHER	01
05E	0503010026	3/8" NUT	01
05F	0501010984	FLAT WASHER	01
05G	0503010003	1845 GREASE FITTING	01
05H	0503010302	501019 SEAL RING	02
05I	0503030402	PULLEY	01



COP SUP ESPANHA
BEARING TENSIONER

Page 18
0909092902

Item	Code	Description	QT
05J	0503031367	SPRING	01
05K	0503010019	1/2" SPRING WASHER	02
05L	0503010060	1/2" NUT	02
06	0501054686	GEAR BOX CHAIN TENSIONER	01
06A	0531019479	AXLE CHAIN GEAR	01
06B	0503031806	9Z X P 5/8" GEAR	01
06C	0511017302	FLAT WASHER	01



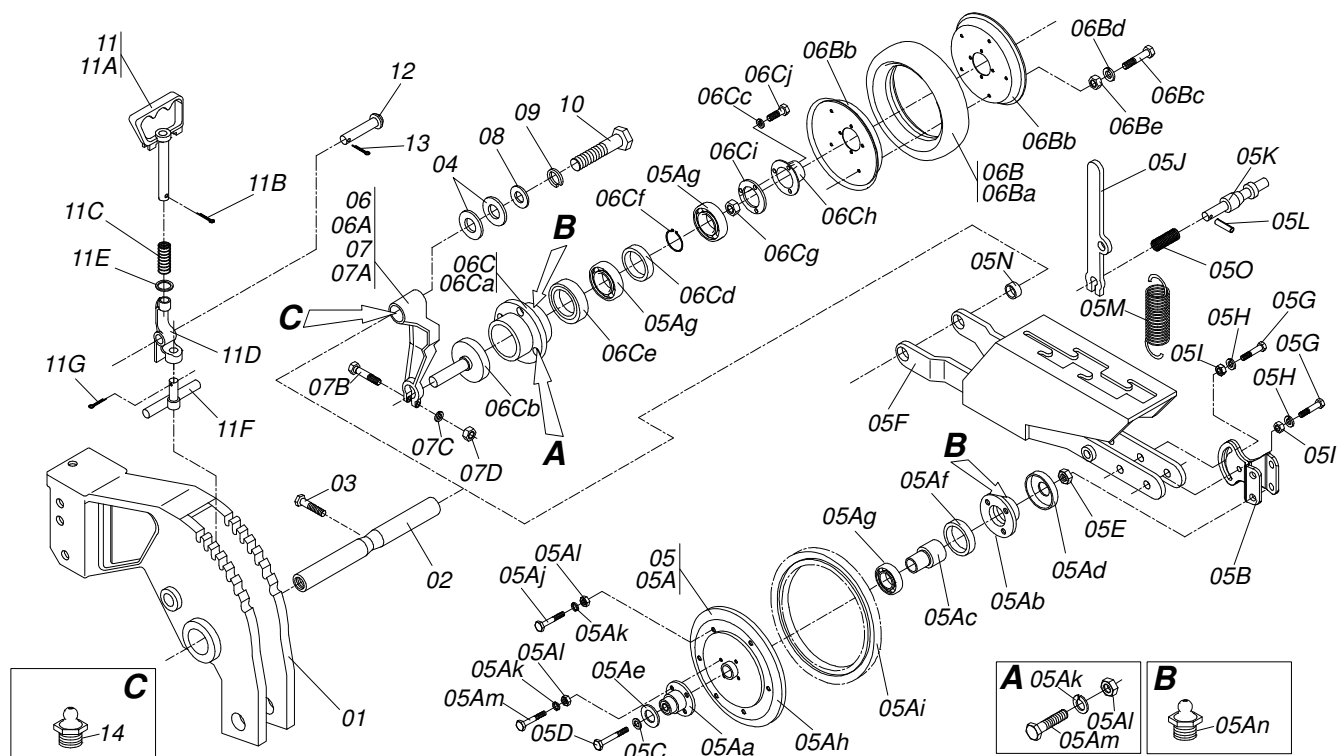
Item	Code	Description	QT
00	0501054482	DEPTH CONTROL LEFT ARM WITH TIRE	01
00A	0501054481	DEPTH CONTROL RIGTH ARM WITH TIRE	01
01	0502012091	DEPTH CONTROL LEFT ARM	01
02	0502012090	DEPTH CONTROL RIGHT ARM	01
03	0501052627	DEPHT WHEELS BOX	01
03A	0502011907	DEPTH CONTROL WHEEL HUB	01
03B	0503010269	6204 BALL BEARING	02
03C	0501013636	SPACING SLEEVE	01
03D	0503010689	SEAL 00763-BR	01
03E	0503011105	SEAL RING	01
03F	0511060927	DEPTH CONTROL AXLE WITH DUST CLOAK	01
03G	0503010878	5/8" SELF ALIGNING NUT	01
03H	0503030757	2.9" X 2" X 0.02" JOINT	01
03I	0521019178	COVER DEPTH	01
03J	0503011441	SPRING WASHER	03
03K	0503013758	1/4" X 1-1/2" BOLT	03
03L	0503010691	1/4" GREASE FITTING	01
03M	0503010740	1/2" X 2" BOLT	01
03N	0503011440	SPRING WASHER	01
03O	0503010060	1/2" NUT	01
04	0503010358	5/16" X 5/8" BOLT	04
05	0503010179	SPRING WASHER	04
06	0503013816	5/16" LOCKNUT	04
07	0501052538	DEPTH CONTROL WHEEL RUBBER BAND	01
07A	0503030551	DEPTH CONTROL WHEEL RUBBER BAND	01
07B	0521010832	RIM FLANGE	02
07C	0503010298	1/4" X 1/2" BOLT	05
07D	0503010143	SPRING WASHER	05
07E	0503010144	1/4" NUT	05
08	0511065909	DEPTH FIXER BASE	01
09	0503010920	1/2" X 1.1/2" BOLT	02
10	0503010547	1/2" X 4" BOLT	02
11	0503010019	1/2" SPRING WASHER	02



COP SUP ESPANHA
DEPTH CONTROL ASSY

Page 19
0909092909

Item	Code	Description	QT
12	0503010060	1/2" NUT	02
13	0501054536	SCARIFIER SPINDLE ASSY	01
13A	0511064554	ROD SCARIFIER SPINDLE	01
13B	0511064553	POINT SUBSOILER	01
13C	0503011373	0.4" X 1.1" SPRING PIN	01
14	0511063823	FERT CONDUCTOR WITH REGULATOR	01
15	0503010751	C3/8" X 1.1/4" HEX BOLT G.5	02
16	0501010984	FLAT WASHER	04
17	0503010025	3/8 SPRING WASHER	02
18	0503010026	3/8" NUT	02



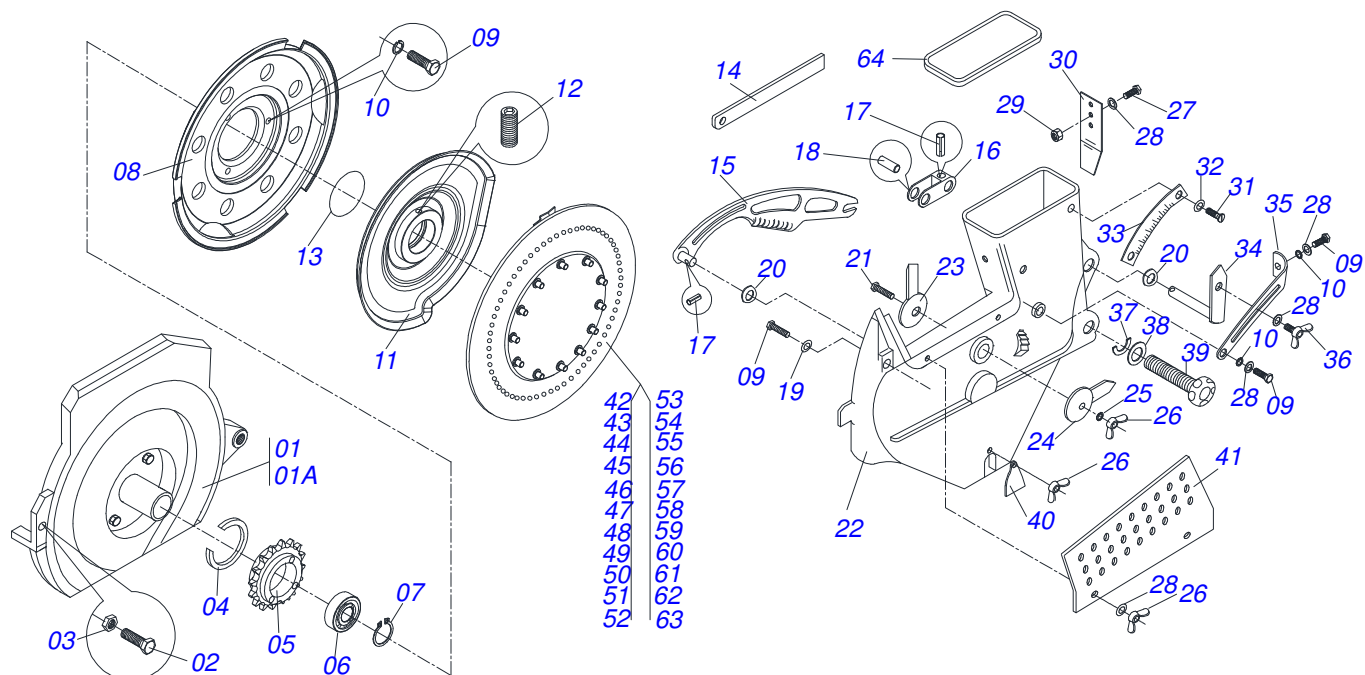
Item	Code	Description	QT
00	0501055844	DEPTH CONTROL WHEEL ASSY	01
01	0502012086	DEPTH CONTROL SUPPORT	01
02	0511012244	DEPTH CONTROL WHEEL AXLE	01
03	0503010256	3/8" X 3/4" BOLT	01
04	0521015818	FLAT WASHER	04
05	0501055843	PRESS WHEELS ASSY	01
05A	0501052908	PRESS WHEELS ASSY	02
05Aa	0502011919	PRESS WHEEL HUB	01
05Ab	0502011877	PRESS WHEEL HUB	01
05Ac	0521018922	PRESS WHEEL PASSANG AXLE	02
05Ad	0521018921	DUST CLOAK	01
05Ae	0521016316	DUST CLOAK	01
05Af	0503012734	SEAL 01556 BR	02
05Ag	0503010269	6204 BALL BEARING	04
05Ah	0521018928	PRESS WHEEL RIM	02
05Ai	0503031421	DEPTH CONTROL WHEEL RUBBER BAND	01
05Aj	0503010295	5/16" X 5/8" BOLT	06
05Ak	0503010179	SPRING WASHER	10
05Al	0503010337	5/16" NUT	10
05Am	0503010178	5/16" X 7/8" BOLT	04
05An	0503010691	1/4" GREASE FITTING	02
05B	0511064372	PRESS WHEEL ADJUSTER V	01
05C	0521014508	FLAT WASHER	10
05D	0503010706	1/2" X 4.1/2" BOLT	02
05E	0503011336	1/2" HEX SELF ADJUSTING NUT	02
05F	0511066100	DEPTH WHEELS REGULACION	01
05G	0503010849	3/8" X 1-1/2" BOLT	02
05H	0503010025	3/8 SPRING WASHER	02
05I	0503010026	3/8" NUT	02
05J	0541014705	PRESS WHEELS ARTIC BODY	01
05K	0541014678	PRESS WHEELS QUICK AXLE	01
05L	0503011823	0.1" X 0.6" SPRING PIN	01
05M	0503031393	1.57" X 5.98" X 0.2" TRACTION SPRING	01



DEPTH CONTROL PRESS WHEEL ASSY

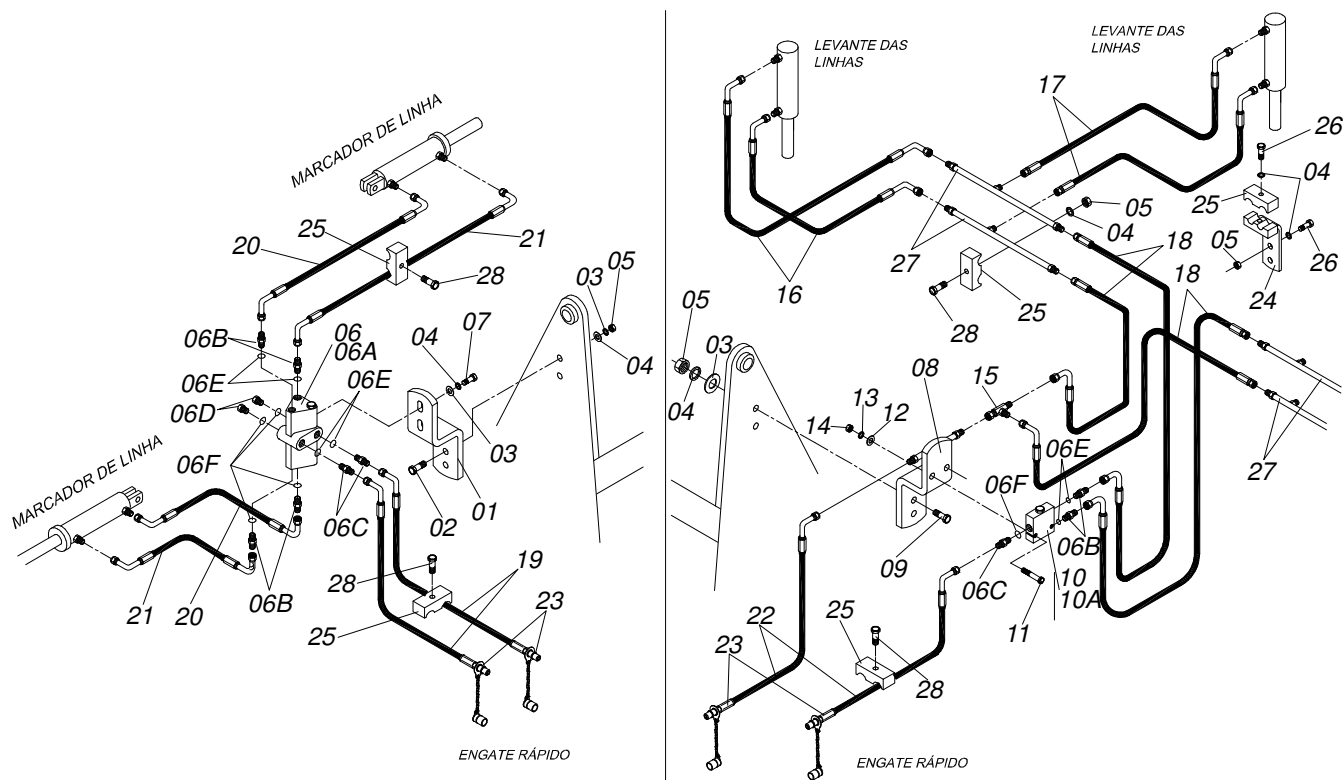
0909092912

Item	Code	Description	QT
05N	0521010480	1" X 1.2" X 0.4" ARTICULAT SLEEVE	02
05O	0503031111	COMPRESSION SPRING	01
06	0501056475	RIGHT DEPTH CONTROL WHEEL	01
06A	0501056472	RIGHT ARM DEPTH CONTROL WHEEL	01
06B	0501052538	DEPTH CONTROL WHEEL RUBBER BAND	02
06Ba	0503030551	DEPTH CONTROL WHEEL RUBBER BAND	02
06Bb	0521010832	RIM FLANGE	04
06Bc	0503010298	1/4" X 1/2" BOLT	10
06Bd	0503010143	SPRING WASHER	10
06Be	0503010144	1/4" NUT	10
06C	0501052627	DEPHT WHEELS BOX	01
06Ca	0502011907	DEPTH CONTROL WHEEL HUB	01
06Cb	0511060927	DEPTH CONTROL AXLE WITH DUST CLOAK	01
06Cc	0503011441	SPRING WASHER	03
06Cd	0501013636	SPACING SLEEVE	01
06Ce	0503010689	SEAL 00763-BR	01
06Cf	0503011105	SEAL RING	01
06Cg	0503010878	5/8" SELF ALIGNING NUT	01
06Ch	0521019178	COVER DEPTH	01
06Ci	0503030757	2.9" X 2" X 0.02" JOINT	01
06Cj	0503013758	1/4" X 1-1/2" BOLT	03
07	0501056476	LEFT DEPTH CONTROL WHEEL ASSY	01
07A	0501056473	LEFT ARM DEPTH CONTROL WHEEL	01
07B	0503010358	5/16" X 5/8" BOLT	04
07C	0503010179	SPRING WASHER	04
07D	0503013816	5/16" LOCKNUT	04
08	0511017302	FLAT WASHER	02
09	0503010019	1/2" SPRING WASHER	02
10	0503010834	1/2 X 1 BOLT	02
11	0501052297	DEPTH WHEELS REGULATOR ASSY	01
11A	0502011689	1/8" DEPTH CONTROL LEVER	01
11B	0503010257	1/8" X 1" COTTERPIN	01
11C	0503030975	0.9" X 1.5" X 0.1" SPRING	01
11D	0502011688	SEED SIST CONTROL DEPTH LEVER	01
11E	0511015976	FLAT WASHER	01
11F	0511060699	DEPTH WHEEL STOP	01
11G	0503010071	3/16" X 1" COTTERPIN	01
12	0521019093	0.6" X 2.7" PIVOT SHAFT	01
13	0503010778	1/8" X 1.1/2" COTTERPIN	01
14	0503010002	1800 GREASE FITTING	02



Item	Code	Description	QT
01	0501110393	DISTRIBUTOR MINOR SIDE ASSY	01
01A	0502012217	MINOR SIDE	01
02	0503011295	M 8 X 1,25 X 25 BOLT	01
03	0503010427	METRIC M8 X P.0.5" NUT	01
04	0503011770	SEAL # V-75 A	01
05	0501067722	26Z GEAR WITH BUSHING	01
06	0503011771	6008 2RS BALL BEARING	01
07	0503010217	501040 CLAMPING RING (FOR AXLE)	01
08	0502050028	DISC SUPPORT	01
09	0503011378	M6 X 1" BOLT	06
10	0503010143	SPRING WASHER	06
11	0503033153	PNEUMATIC SWITCH	01
12	0503011769	M8 X 0.5" BOLT	01
13	0503012849	2-129 N 3006 9B O'RING	01
14	0511015627	SEED DISC LEVER	01
15	0503011817	UPPER SELECTOR	01
16	0502020559	UPPER SELECTOR ACTUATOR	01
17	0503011823	0.1" X 0.6" SPRING PIN	02
18	0531014481	0.2" X 0.6" AXLE	01
19	0503011821	CRINKLE WASHER	01
20	0503011820	CRINKLE WASHER	02
21	0503011813	M6 X 1.2" BOLT	01
22	0502012228	LARGE SIDE	01
23	0501110311	LOWER SELECTOR ASSY	01
24	0511016220	LOWER SELECTOR INDICATOR	01
25	0503011815	TOOTHED WASHER	01
26	0503012445	M6 C/ABA 1.20" BUTTERFLY NUT	04
27	0503011812	M6 X 1" BOLT	01
28	0511017303	FLAT WASHER	04
29	0503011776	M6 SELF ADJUSTINGNUT	01
30	0511017186	SEED LEVEL REGULATOR	01
31	0503011825	M4 X 8" BOLT	02
32	0503011828	FLAT WASHER	02

Item	Code	Description	QT
33	0503031058	UPPER SELECTOR SCALE	01
34	0501067818	SCALE INDICATOR WITH PIN	01
35	0511017219	SCALE INDICATOR GUIDE	01
36	0503011810	M6 X 1" BUTTERFLY BOLT	01
37	0503011827	504.100 CLAMPING RING (FOR HOLE)	01
38	0503011828	FLAT WASHER	01
39	0503011809	M12 KNOB	01
40	0503013020	SEED DRAINER COVER	01
41	0503013179	PNEUMATIC SEED DISTRIBUTOR VISOR	01
42	0503011511	DISC 3245 OF THE SMALL CORN	01
43	0503011512	DISC 3255 LARGE CORN	01
44	0503011454	DISC 6445 LARGE SOYBEAN	01
45	0503011455	DISC 6450 LARGE SOYBEAN	01
46	0503011513	DISC 6430 SMALL SOYBEAN/COTTON	01
47	0503011437	DISC 6420 SORGHUM	01
48	0503011456	DISC 4820 SORGHUM	01
49	0503011391	DISC 3230 SUNFLOWER	01
50	0503011436	DISC 4845 MIDDLE BEAN	01
51	0503011392	DISC 4855 GREAT BEAN	01
52	0503011717	DISC 4835 DELINTED COTTON / BEAN	01
53	0503012574	DISC 6460 PEANUT P18 A 26	01
54	0503011889	DISC 7512 TOMATO	01
55	0503012576	DISC 3660 CORN	01
56	0503012577	DISC 3650 MIDDLE CORN	01
57	0503012578	DISC 3645 CORN	01
58	0503012579	DISC 3630 SUNFLOWER	01
59	0503012580	DISC 8440 MIDDLE SOYBEAN	01
60	0503012581	DISC 8045 LARGE SOYBEAN	01
61	0503012582	DISC 18016 RICE	01
62	0503012860	DISC 3240 POPCORN	01
63	0503012728	DISC WITHOUT HOLE	01
64	0503031660	SEED DISTRIBUTOR RUBBER BACKING	01



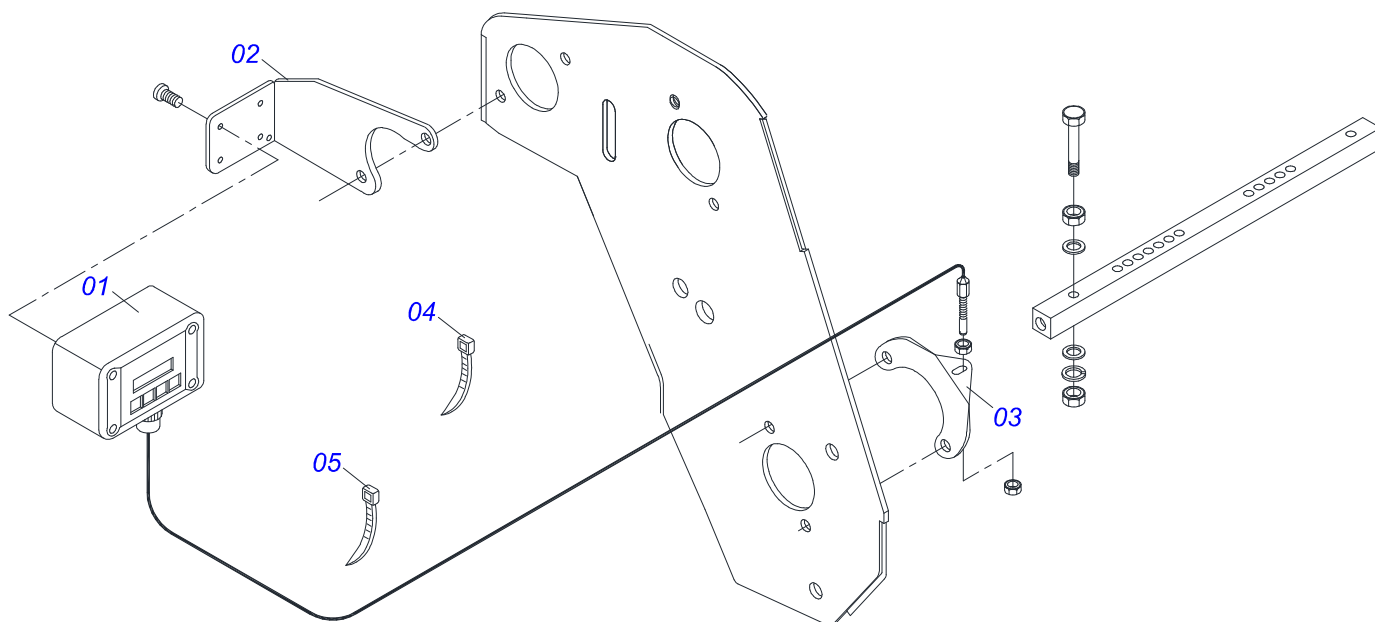
Item	Code	Description	QT
01	0521019491	VALVE FIXER	01
02	0501010096	3/8" X 2" BOLT	02
03	0501010984	FLAT WASHER	06
04	0503010025	3/8 SPRING WASHER	12
05	0503010026	3/8" NUT	08
06	0501054649	SEQUENTIAL VALVE ASSY	01
06A	0503060132	VDFS-002 T SEQUENCAL VALVE	01
06B	0501010617	3/4" NIPPLE	06
06C	0501012109	3/4" X 9/16" NIPPLE	03
06D	0531019339	9/16" UNF X 12 PUMP	02
06E	0503010190	2-114 N 3006-9B O'RING	06
06F	0503011036	2-111 N 3006-9B O'RING	05
07	0503010237	3/8" X 1" BOLT	02
08	0511064473	OIL CONDUCTOR	01
09	0503010849	3/8" X 1-1/2" BOLT	02
10	0501054452	FLOW DIVIDING VALVE	01
10A	0503012481	FLOW DIVIDING VALVE	01
11	0503010373	1/4" X 2" BOLT	02
12	0501010694	FLAT WASHER	04
13	0503010143	SPRING WASHER	02
14	0503010144	1/4" NUT	02
15	0503011968	T ADAPTOR WITH GIRAT	01
16	0501080673	3/8" X 17" TC-TC 180G HOSE ASSY	04
17	0501080406	3/8" X 23" TR-TC HOSE ASSY	04
18	0501080714	3/8" X 63" TR-TC HOSE ASSY	04
19	0501080385	3/8" X 149" TC-TM HOSE ASSY	02
20	0501080391	3/8" X 133" TC-TC HOSE ASSY	02
21	0501080749	3/8" X 141" TC-TC HOSE ASSY	02
22	0501080678	1/2" X 150" TC-TM HOSE ASSY	02
23	0501053834	MALE QUICK COUPLING AGRICULTURAL WITH	04
24	0511062410	HOSE FIXATION SUPPORT	02
25	0502010477	UPPER CLIP	02
26	0503010751	C3/8" X 1.1/4" HEX BOLT G.5	06



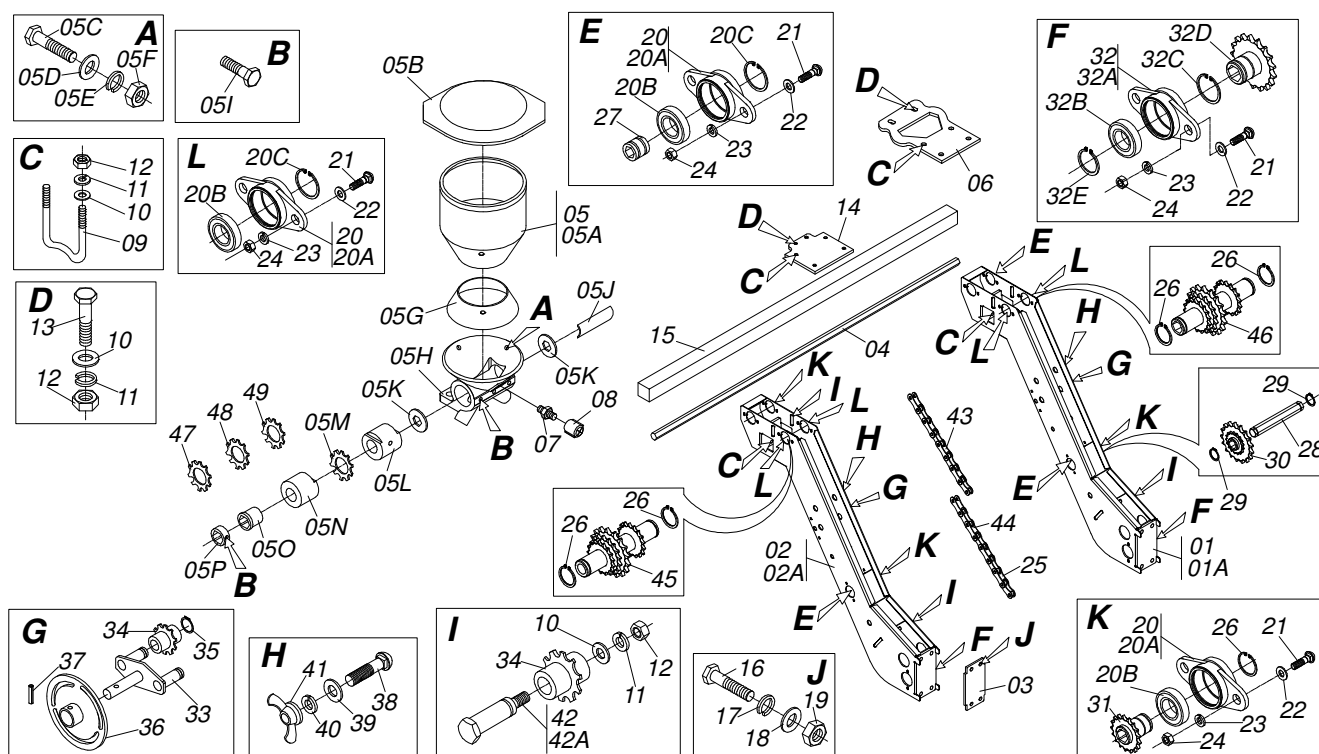
COP SUP ESPANHA
HYDARULIC CIRCUIT

Page 22
0909092910

Item	Code	Description	QT
27	0511061827	700 "T" CONDUCTOR OIL	04
28	0501010080	3/8" BOLT	02

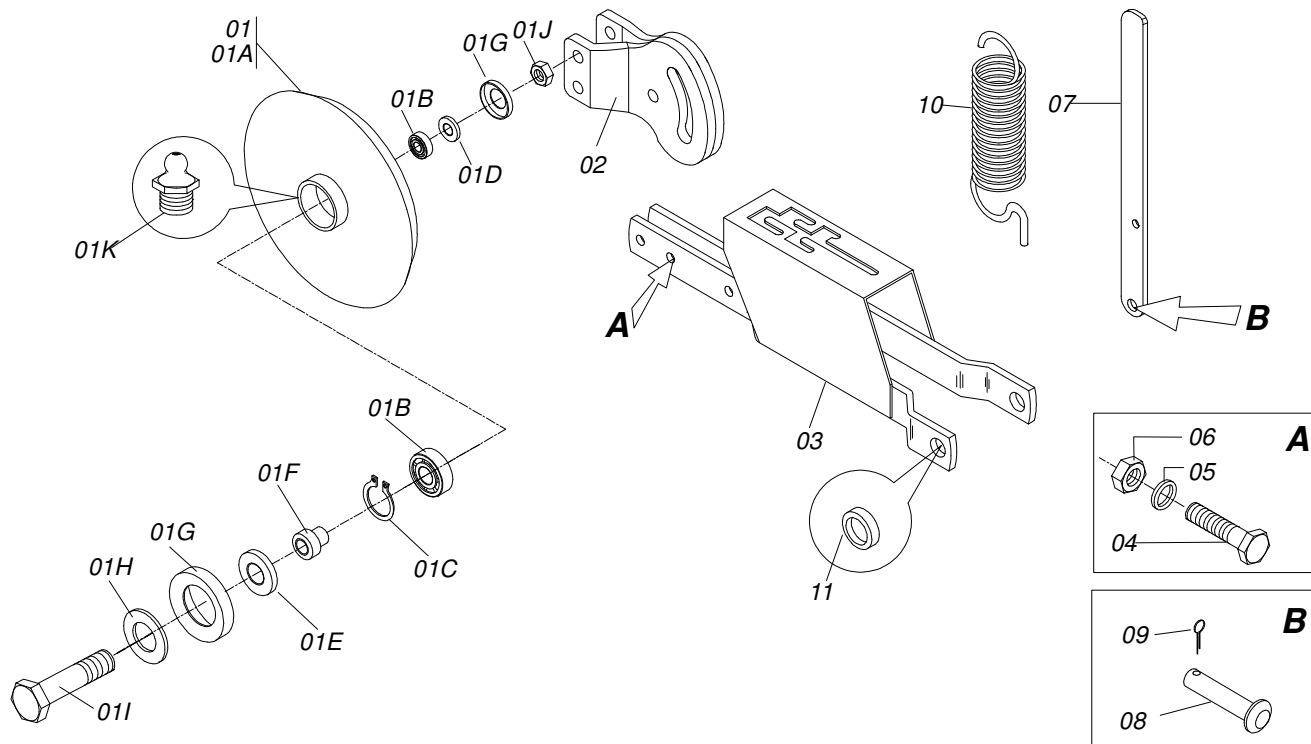


Item	Code	Description	QT
01	0503060718	ELECTRONIC BLADE HECTARE	01
02	0541013288	FIXER COUNTER HECTARE	01
03	0541012710	MAGNET FIXER BLADE HECTARE	01
04	0503010267	NYLON CLAMP	02
05	0503013100	NYLON CLAMP	01

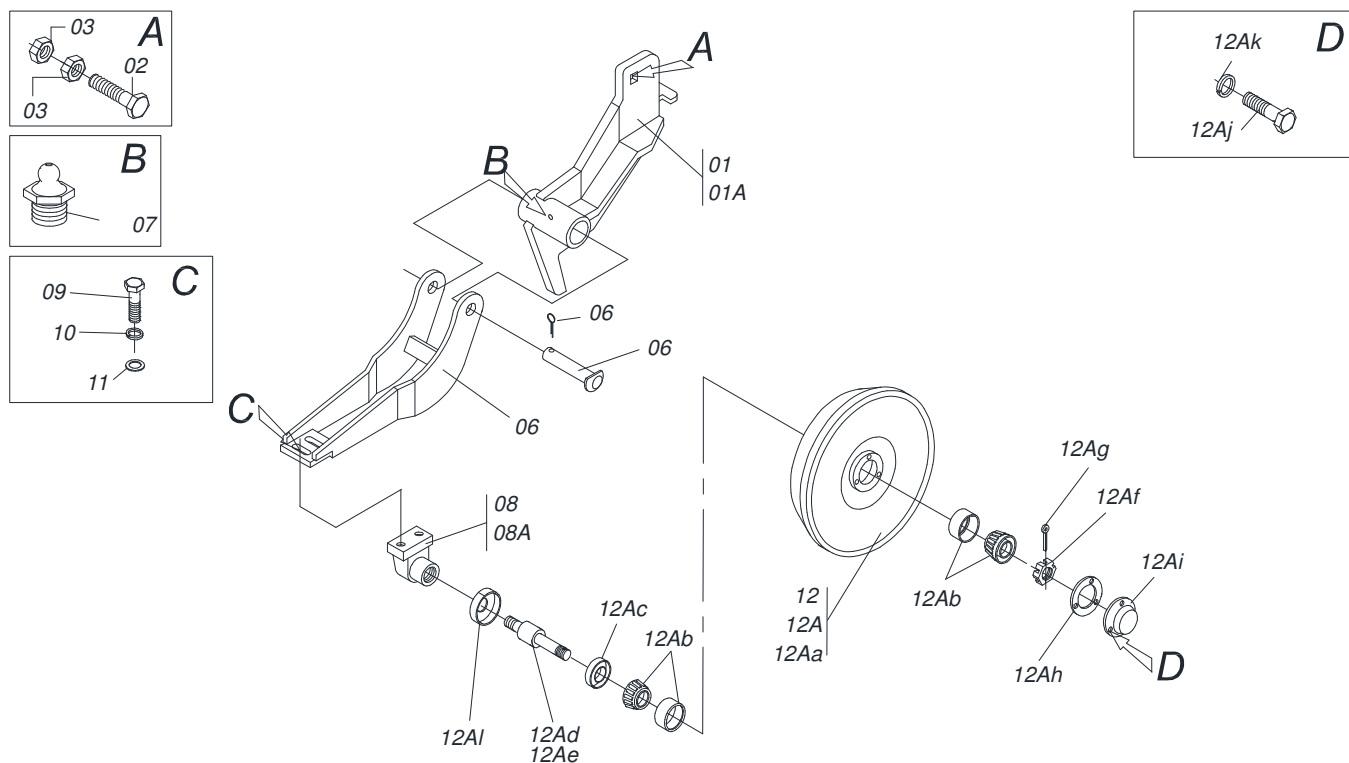


Item	Code	Description	QT
00	0501056532	MICROGRANULATED ASSY	01
01	0501055110	MICROGRANULADO SUPPORT	01
01A	0511065277	MICROGRANULADO SUPPORT	01
02	0501057621	MICROGRANULADO SUPPORT	01
02A	0511065277	MICROGRANULADO SUPPORT	01
03	0541011240	MICROGRANULATED SUPPORT FIXER PLATE	02
04	0551014922	5/8" X 3600 HEX AXLE	02
05	0501057235	DISTRIBUTOR MICROGRANULATED	06
05A	0503032865	20L MG DEPOSIT	06
05B	0503032866	BOX COVER	06
05C	0503012537	5/16" X 1" BOLT	24
05D	0503012545	FLAT WASHER	24
05E	0503012534	5/16" SPRING WASHER	24
05F	0503012530	5/16" INOX NUT	24
05G	0503032867	PROTECTION BOX	06
05H	0502012427	DISTRIBUTOR BOX	06
05I	0503012116	1/4" X 1/2" BOLT	30
05J	0551014919	SCALE SEAL	06
05K	0551014925	SEALING	12
05L	0551014929	SPACING	06
05M	0551014923	ROTOR	24
05N	0551014924	BEARING	12
05O	0551014926	SLEVE GUIDES	12
05P	0551014927	ROTOR SLEEVE FIXER	12
06	0551010590	MICROGRANULADO SUPPORT	03
07	0503014496	1/2" NIPPLE	06
08	0503014497	1/2" BSP PUMP	06
09	0521010656	1/2" X 4.3" X 3.3" FASTENER	14
10	0511017302	FLAT WASHER	43
11	0503010019	1/2" SPRING WASHER	43
12	0503010060	1/2" NUT	43
13	0503010740	1/2" X 2" BOLT	12
14	0551010589	MICROGRANULADO SUPPORT	03

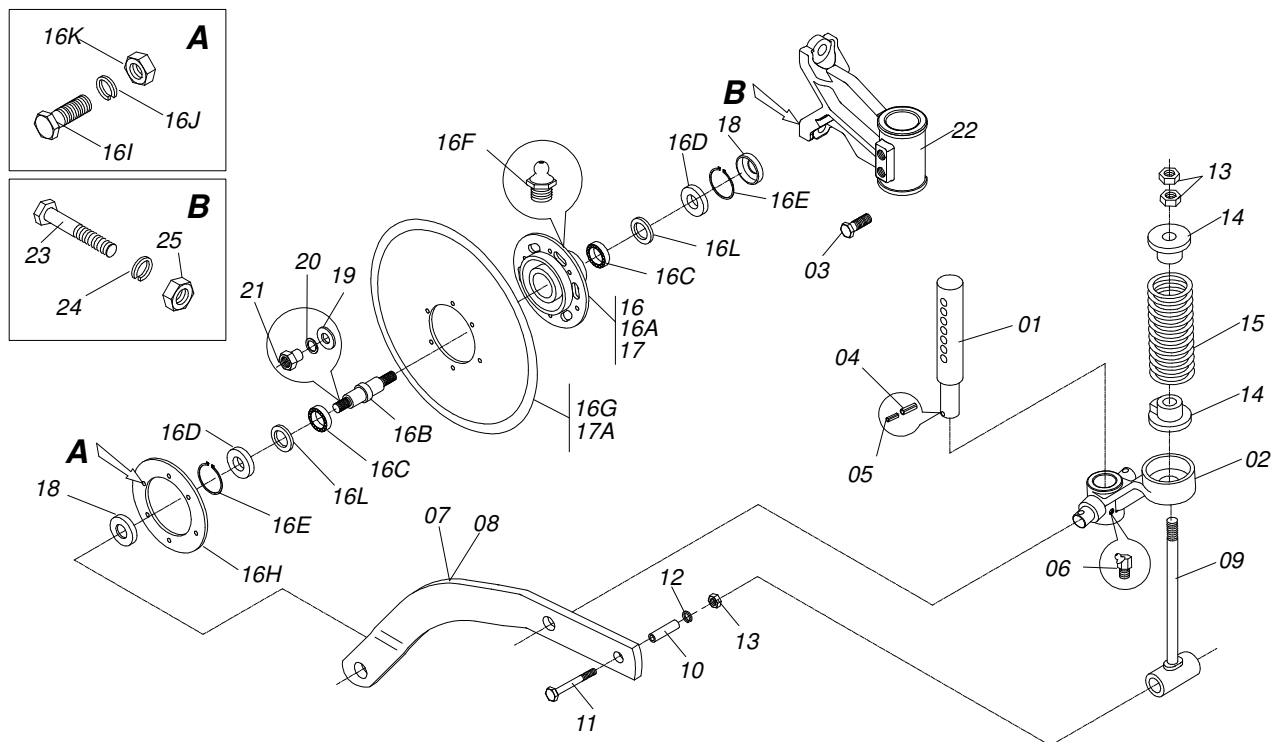
Item	Code	Description	QT
15	0511066899	Q70 X 3,20 X 3800 TUBE	01
16	0503010795	5/8" X 7" BOLT	08
17	0503010027	SPRING WASHER	08
18	0501012140	FLAT WASHER	08
19	0503010013	5/8" NUT	08
20	0501052759	BEARING OF THE GEAR BOX ASSY	05
20A	0502011697	BEARING OF THE GEAR BOX	10
20B	0503011410	ROLLER BEARING	10
20C	0503011105	SEAL RING	10
21	0503011953	5/16" X 1" BOLT	24
22	0501010694	FLAT WASHER	24
23	0503010179	SPRING WASHER	24
24	0503010337	5/16" NUT	24
25	0511068530	MOTOR SHAFT	01
26	0503010406	501025 CLAMPING RING (FOR AXLE)	07
27	0541011368	INTERM BEARING AXLE BODY	03
28	0541011370	MICROGRANULATED SUPPORT INNTER AXLE	02
29	0503011166	501017 CLAMPING RING (FOR AXLE)	04
30	0511065246	INNTER AXLE GEAR	02
31	0511065263	AXLE 16Z GEAR	03
32	0501055111	MICROGRANULATED MOTOR AXLE BEARING	02
32A	0502012030	HOUSING BEARING	02
32B	0503012861	6006 2RS BALL BEARING	02
32C	0503012858	502075 CLAMPING RING (FOR HOLE)	02
32D	0511065272	AXLE 2-Z GEAR	02
32E	0503010707	501030 CLAMPING RING (FOR AXLE)	02
33	0511065261	CHAIN TENSIONER	07
34	0503031805	11Z 1/2" GEAR	05
35	0503010302	501019 SEAL RING	04
36	0511065262	CHAIN TENSIONER FLANGE	02
37	0503010292	0.2" X 1.6" SPRING PIN	02
38	0501011643	3/8 X 1" BOLT	04
39	0501010984	FLAT WASHER	04
40	0503010025	3/8 SPRING WASHER	04
41	0503010209	3/8" UNC BUTTERFLY NUT	04
42	0501055112	MICRO GRANULATED CHAIN TENSIONER	03
42A	0531019479	AXLE CHAIN GEAR	03
43	0503013214	40-1 CHAIN X 97 LINK + MENDING	02
44	0503014525	40-1 CHAIN X 167 LINK + MENDING	02
45	0503014626	40-1 CHAIN X 55 LINK + MENDING	02
46	0511068529	DRIVING AXLE	01
47	0551014942	ROTOR LARGE	36
48	0551014943	SMALL ROTOR	36
49	0551014944	ROTOR MIDDLE	36



Item	Code	Description	QT
01	0501052957	IRON V PRESS WHEELS	02
01A	0502011932	IRON PRESS WHEELS	01
01B	0503010269	6204 BALL BEARING	02
01C	0503011105	SEAL RING	01
01D	0503012759	02376-BRG SEAL WITH HOLE	01
01E	0503011112	SEAL 02376-BRG	01
01F	0521019147	V COMPACT WHEELS AXLE	02
01G	0511011927	DUST CLOAK	02
01H	0521014508	FLAT WASHER	05
01I	0503010547	1/2" X 4" BOLT	01
01J	0503011336	1/2" HEX SELF ADJUSTING NUT	01
01K	0503010691	1/4" GREASE FITTING	01
02	0511064372	PRESS WHEEL ADJUSTER V	01
03	0511062030	PRESS WHEELS REGULATOR	01
04	0503011404	3/8" X 1-3/4" BOLT	02
05	0503010025	3/8 SPRING WASHER	02
06	0503010026	3/8" NUT	02
07	0521013398	PRESS WHEELS REGULATOR BODY	01
08	0521010539	0.3" X 1.2" COUPLING SHAFT	01
09	0503010257	1/8" X 1" COTTERPIN	01
10	0503030805	1.6" X 6" X 0.2" TRACTION SPRING	01
11	0521010480	1" X 1.2" X 0.4" ARTICULAT SLEEVE	02



Item	Code	Description	QT
00	0501054257	LEFT PRESS WHEEL FERTILIZER ASSY	01
00A	0501054256	RIGHT COVERING WHEEL FERTILIZER ASSY	01
01	0511063879	LEFT PRESS WHEEL FERT UPPER SUPPORT	01
01A	0511063878	RIGHT PRESS WHEEL FERT UP SUPPORT	01
02	0503013077	5/8" X 8" BOLT	01
03	0503010013	5/8" NUT	02
04	0511063880	PRESS WHEEL FERT INNER SUPPORT	01
05	0521010579	COUPLING SHAFT	01
06	0503010571	1/4" X 1.1/2" COTTERPIN	01
07	0503010002	1800 GREASE FITTING	01
08	0502011155	RIGHT FIXER WHEEL	01
08A	0502011156	LEFT FIXER WHEEL	01
09	0503010920	1/2" X 1.1/2" BOLT	02
10	0503010019	1/2" SPRING WASHER	02
11	0511017302	FLAT WASHER	02
12	0501053186	RIGHT IRON PRESS WHEEL ASSY	01
12A	0501053187	LEFT IRON PRESS WHEEL ASSY	01
12Aa	0502011970	IRON PRESS WHEEL	01
12Ab	0503010598	30204 BALL BEARING	02
12Ac	0503011112	SEAL 02376-BRG	01
12Ad	0521019154	RIGHT DOUB DISC HUB	01
12Ae	0521019148	LEFT DOUBLE DISC HUB	01
12Af	0503030282	3/4" CASTLE NUT	01
12Ag	0503010257	1/8" X 1" COTTERPIN	01
12Ah	0503030757	2.9" X 2" X 0.02" JOINT	01
12Ai	0521019178	COVER DEPTH	01
12Aj	0503010298	1/4" X 1/2" BOLT	03
12Ak	0503010143	SPRING WASHER	03
12Al	0511016896	DUST CLOAK	01



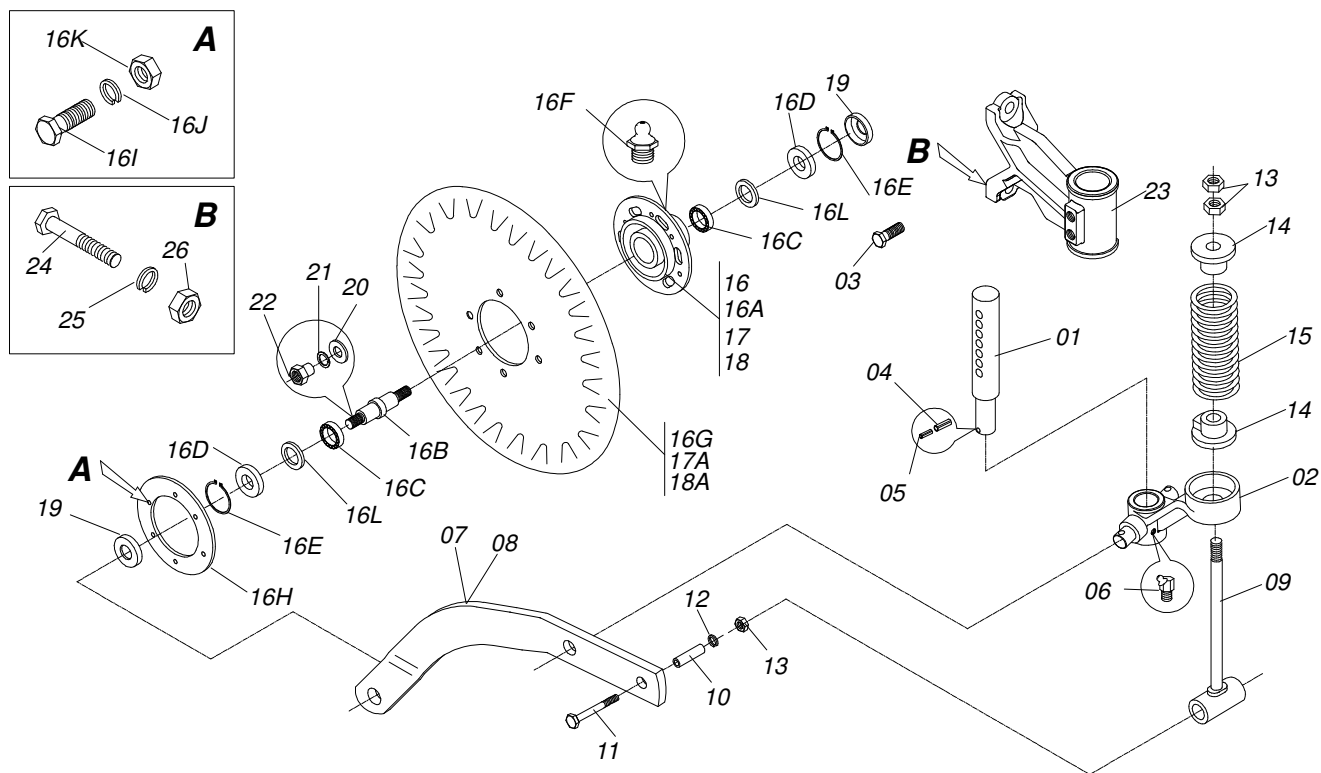
Item	Code	Description	QT
00	0511043092	ROW 20 BLADE DISC ASSY	01
01	0541011446	SUPPORT DISC AXLE	01
01.	0511043362	LONG ROW 22" BLADE DISC ASSY	01
02	0502012287	BLADE DISC ARM SUPPORT	01
03	0511016156	5/8" X 1.1/2" BOLT	02
04	0503010361	SPRING PIN	01
05	0503010756	0.2" X 2.4" SPRING PIN	01
06	0503010003	1845 GREASE FITTING	01
07	0521018935	RIGHT ARM OF THE BLADE DISC	01
08	0521018936	LEFT ARM OF THE BLADE DISC	01
09	0501067323	SPRING REGULATOR	01
10	0521010452	SLEEVE	01
11	0501010370	3/4" X 5-1/2" BOLT	01
12	0503010023	SPRING WASHER	01
13	0503010014	3/4" NUT	01
14	0502020393	SPRING UPPER SUPPORT	02
15	0503031341	2.7 X 8 X 0.5 COMPRESSION SPRING	01
16	0501054887	20 BLADE DISC WITH FLAT PLAN DISC	01
16A	0502011562	DC PST ACT/ULTR BOX	01
16B	0521013610	BLADE DISC HUB AXLE	01
16C	0503010276	6206 BALL BEARING	02
16D	0503012417	SEAL	02
16E	0503011800	SEAL RING	02
16F	0503010691	1/4" GREASE FITTING	01
16G	0603027851	20" X 0.2" FLAT PLAIN DISC	01
16H	0502020641	BLADE DISC FLANGE	01
16I	0503010371	5/16" X 1" BOLT	06
16J	0503011444	SPRING WASHER	06
16K	0503010337	5/16" NUT	06
16L	0503030832	FLAT WASHER	02
17	0501052391	HOUSING	01
17A	0603029523	22" X 0.2" FLAT PLAIN DISC	01
18	0521015376	DUST CLOAK	02



COP SUP ESPANHA
20"/22" BLADE DISC ASSY

Page 27
0909091172

Item	Code	Description	QT
19	0511015346	FLAT WASHER	02
20	0503011438	SPRING WASHER	02
21	0521013510	3/4" NUT	02
22	0502012306	FERTILIZER ROW SUPPORT	01
23	0501010300	5/8" X 2-1/2" BOLT	02
24	0503010027	SPRING WASHER	02
25	0503010013	5/8" NUT	02



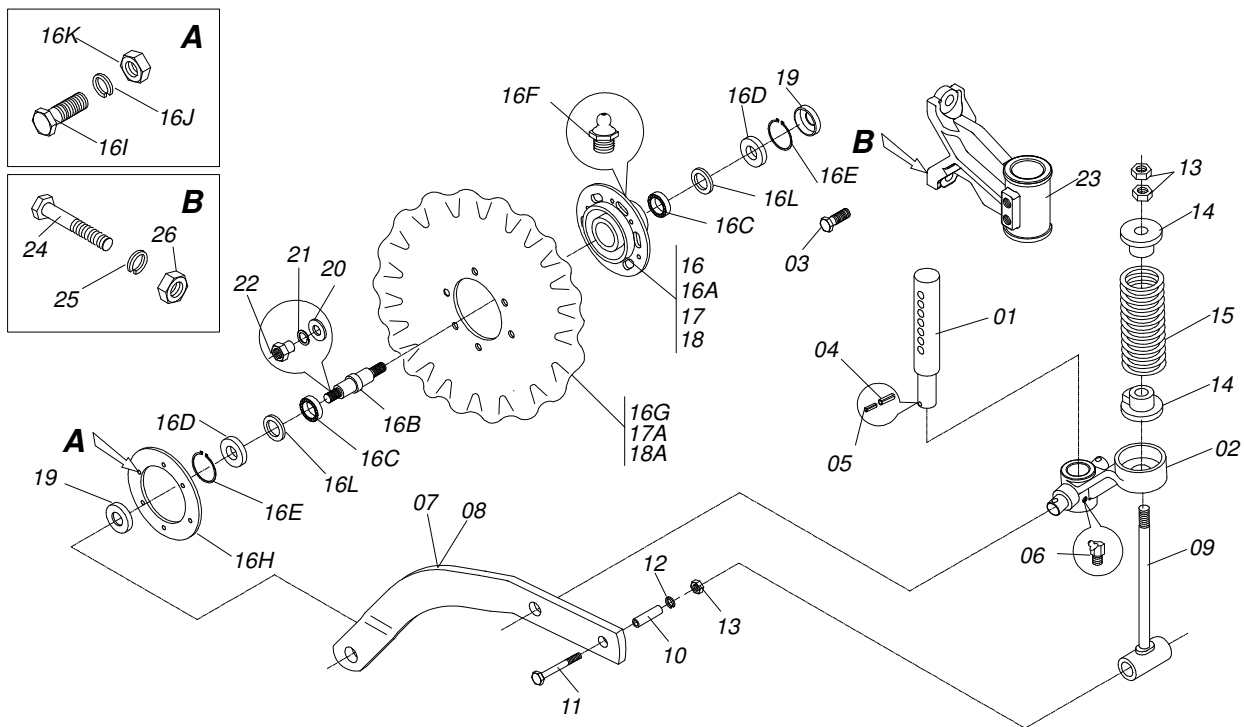
Item	Code	Description	QT
00	0511043549	ROW 18 BLADE DISC ASSY	01
00.	0511043551	ROW 20" BLADE DISC ASSY	01
00..	0511043553	ROW 22 BLADE DISC ASSY	01
01	0541011446	SUPPORT DISC AXLE	01
02	0502012287	BLADE DISC ARM SUPPORT	01
03	0511016156	5/8" X 1.1/2" BOLT	02
04	0503010361	SPRING PIN	01
05	0503010756	0.2" X 2.4" SPRING PIN	01
06	0503010003	1845 GREASE FITTING	01
07	0521018935	RIGHT ARM OF THE BLADE DISC	01
08	0521018936	LEFT ARM OF THE BLADE DISC	01
09	0501067323	SPRING REGULATOR	01
10	0521010452	SLEEVE	01
11	0501010370	3/4" X 5-1/2" BOLT	01
12	0503010023	SPRING WASHER	01
13	0503010014	3/4" NUT	03
14	0502020393	SPRING UPPER SUPPORT	02
15	0503031341	2.7 X 8 X 0.5 COMPRESSION SPRING	01
16	0501055996	ROW 18 BLADE DISC ASSY	01
16A	0502011562	DC PST ACT/ULTR BOX	01
16B	0521013610	BLADE DISC HUB AXLE	01
16C	0503010276	6206 BALL BEARING	02
16D	0503012417	SEAL	02
16E	0503011800	SEAL RING	02
16F	0503010691	1/4" GREASE FITTING	01
16G	0605025015	18" PLAIN COULTER BLADE	01
16H	0502020641	BLADE DISC FLANGE	01
16I	0503010371	5/16" X 1" BOLT	06
16J	0503011444	SPRING WASHER	06
16K	0503010337	5/16" NUT	06
16L	0503030832	FLAT WASHER	02
17	0501055997	20" BLADE DISC ASSY	01
17A	0605027058	20" X 0.1771" PLAIN COULTER BLADE	01



COP SUP ESPANHA
DPL/ESTR/CRUC BLADE DISC

Page 28
0909092230

Item	Code	Description	QT
18	0501055998	22 BLADE DISC ASSY	01
18A	0605029010	22" X 0.1771" PLAIN COULTER BLADE	01
19	0521015376	DUST CLOAK	02
20	0511015346	FLAT WASHER	02
21	0503011438	SPRING WASHER	02
22	0521013510	3/4" NUT	02
23	0502012306	FERTILIZER ROW SUPPORT	01
24	0501010300	5/8" X 2-1/2" BOLT	02
25	0503010027	SPRING WASHER	02
26	0503010013	5/8" NUT	02



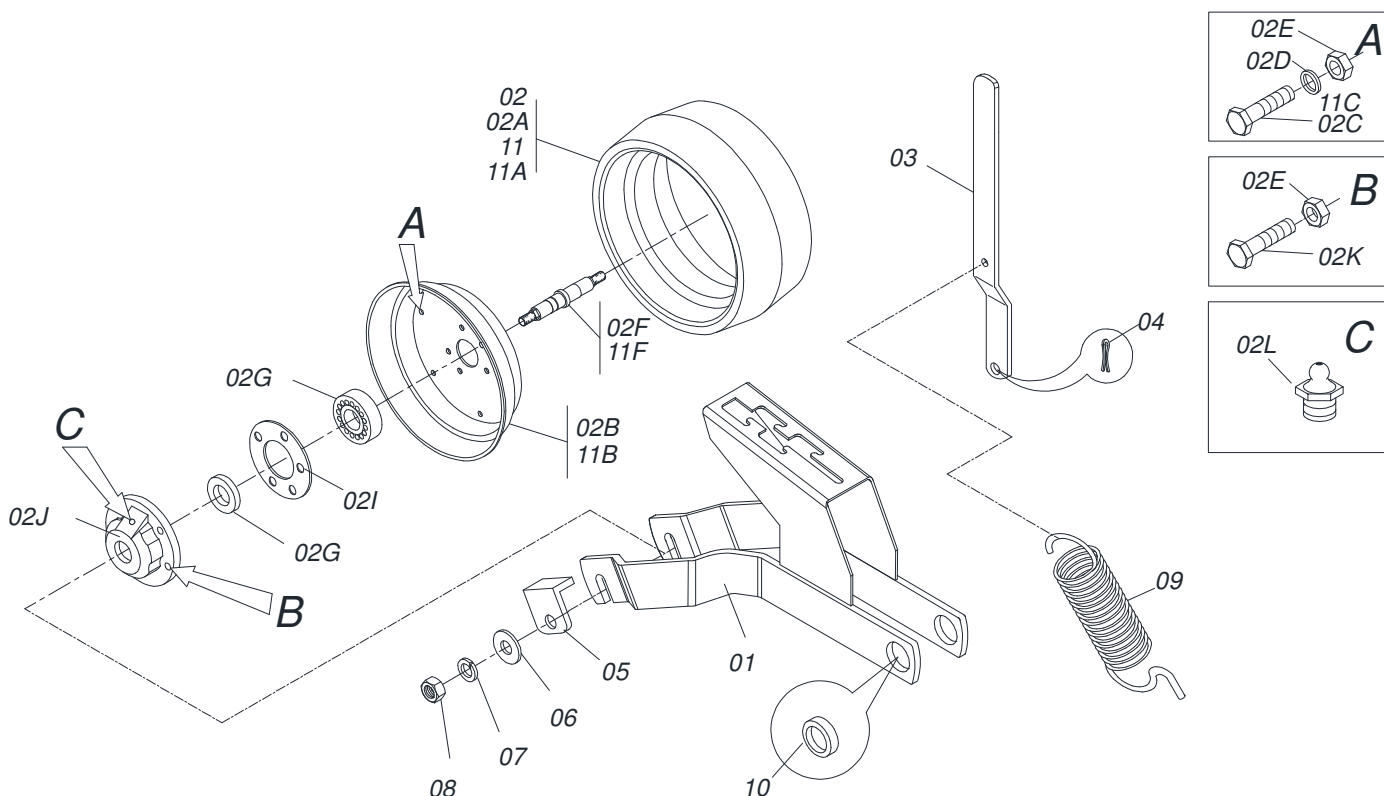
Item	Code	Description	QT
00	0511043091	ROW 20 BLADE DISC ASSY	01
00.	0511043281	ROW 18 BLADE DISC ASSY	01
00..	0511043363	SHORT ROW 22 BLADE DISC ASSY	01
01	0541011446	SUPPORT DISC AXLE	01
02	0502012287	BLADE DISC ARM SUPPORT	01
03	0511016156	5/8" X 1.1/2" BOLT	02
04	0503010361	SPRING PIN	01
05	0503010756	0.2" X 2.4" SPRING PIN	01
06	0503010003	1845 GREASE FITTING	01
07	0521018935	RIGHT ARM OF THE BLADE DISC	01
08	0521018936	LEFT ARM OF THE BLADE DISC	01
09	0501067323	SPRING REGULATOR	01
10	0521010452	SLEEVE	01
11	0501010370	3/4" X 5-1/2" BOLT	01
12	0503010023	SPRING WASHER	01
13	0503010014	3/4" NUT	03
14	0502020393	SPRING UPPER SUPPORT	02
15	0503031341	2.7 X 8 X 0.5 COMPRESSION SPRING	01
16	0501056004	18 BLADE DISC WITH FLAT PLAN DISC	01
16A	0502011562	DC PST ACT/ULTR BOX	01
16B	0521013610	BLADE DISC HUB AXLE	01
16C	0503010276	6206 BALL BEARING	02
16D	0503012417	SEAL	02
16E	0503011800	SEAL RING	02
16F	0503010691	1/4" GREASE FITTING	01
16G	0605026060	18"PLAIN COULTER BLADE	01
16H	0502020641	BLADE DISC FLANGE	01
16I	0503010371	5/16" X 1" BOLT	06
16J	0503011444	SPRING WASHER	06
16K	0503010337	5/16" NUT	06
16L	0503030832	FLAT WASHER	02
17	0501056005	20" BLADE DISC ASSY	01
17A	0605027050	20" PLAIN COULTER BLADE	01



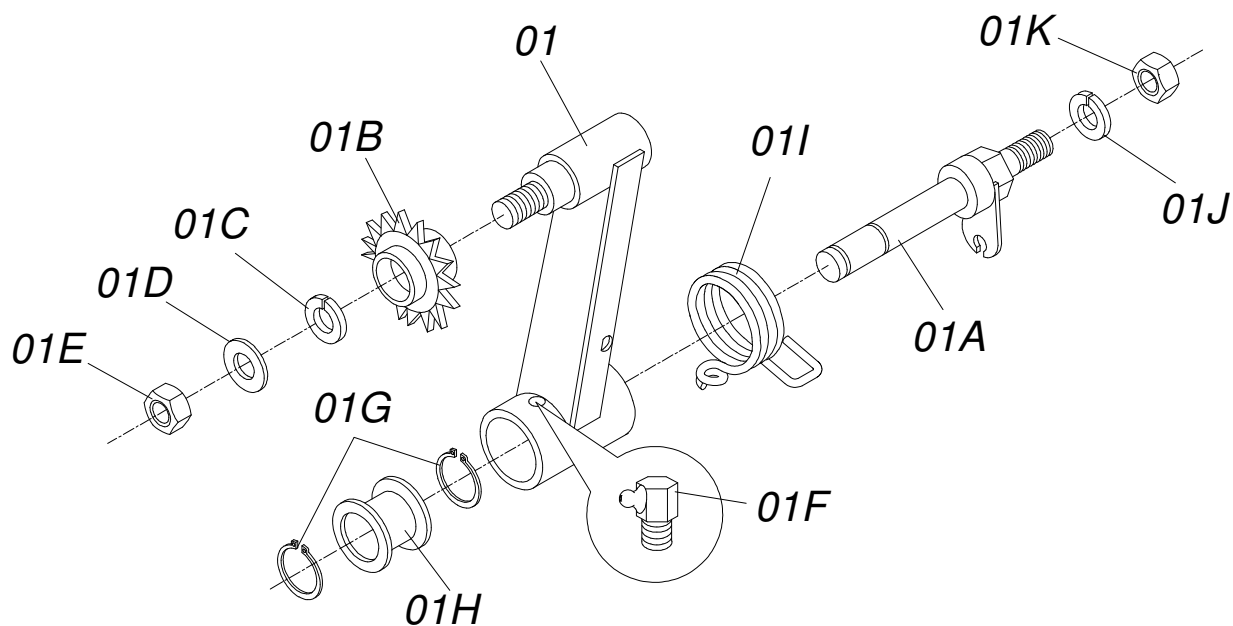
COP SUP ESPANHA
DPL/ESTR/INJ BLADE DISC

Page 29
0909092231

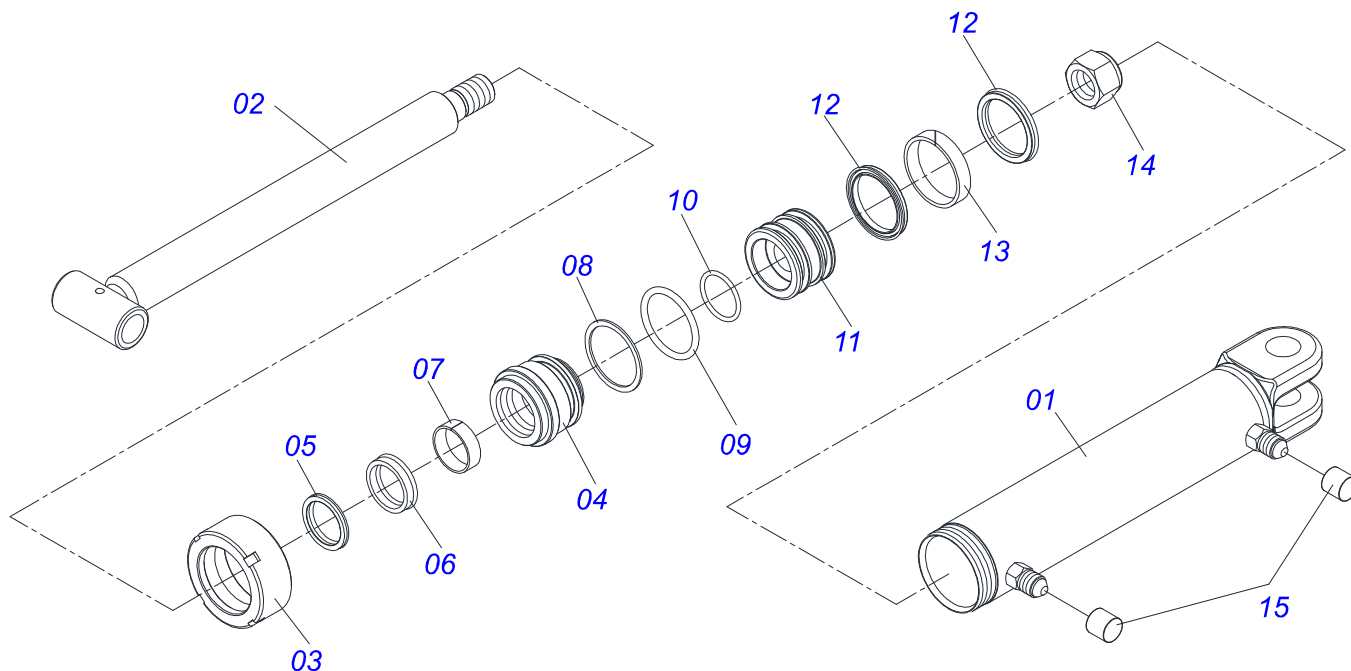
Item	Code	Description	QT
18	0501056006	22 BLADE DISC ASSY	01
18A	0605029012	22" PLAIN COULTER BLADE	01
19	0521015376	DUST CLOAK	02
20	0511015346	FLAT WASHER	02
21	0503011438	SPRING WASHER	02
22	0521013510	3/4" NUT	02
23	0502012306	FERTILIZER ROW SUPPORT	01
24	0501010300	5/8" X 2-1/2" BOLT	02
25	0503010027	SPRING WASHER	02
26	0503010013	5/8" NUT	02



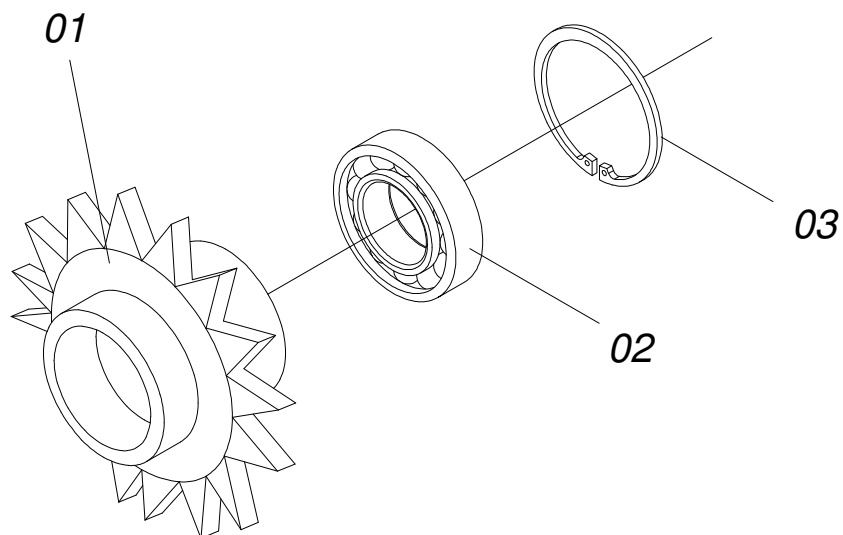
Item	Code	Description	QT
00	0501055271	SET ASSY WHEEL COMPACTOR CONCAVE	01
00A	0501055799	LARGER PRESS WHEEL ASSY	01
01	0511065332	CONCAVE PRESS WHEEL REGULACION	01
02	0501054326	COMPACTOR CONCAVA WEEL	01
02A	0503030239	DEPTH CONTROL WHEEL RUBBER BAND	01
02B	0501014071	RIM SEMI	02
02C	0503010298	1/4" X 1/2" BOLT	05
02D	0503010143	SPRING WASHER	10
02E	0503010144	1/4" NUT	30
02F	0531017070	PRESS WHEEL AXLE	01
02G	0503010690	6204 BALL BEARING	04
02H	0503010272	SEAL 00715-BA	04
02I	0503030143	3.3" X 1.9" X 0.1" JOINT	04
02J	0502020140	HUB	04
02K	0503010420	1/4" X 1-1/2" BOLT	10
02L	0503010691	1/4" GREASE FITTING	04
03	0541011726	PRESS WHEEL ADJUSTMENT LEVER	01
04	0503010257	1/8" X 1" COTTERPIN	01
05	0541011724	PRESS WHEEL LOCK	02
06	0511017302	FLAT WASHER	02
07	0503010019	1/2" SPRING WASHER	02
08	0503010060	1/2" NUT	02
09	0503030805	1.6" X 6" X 0.2" TRACTION SPRING	01
10	0521010480	1" X 1.2" X 0.4" ARTICULAT SLEEVE	02
11	0501052613	PRESS WHEEL ASSY	01
11A	0503031514	DEPTH CONTROL WHEEL RUBBER BAND	01
11B	0521014107	PRESS WHEEL RIM	02
11C	0503010282	1/4" X 3/4" BOLT	05
11D	0521016709	COMPACT WHEEL AXLE	01
12	0909092264	SET ASSY WHEEL COMPACTOR CONCAVE	



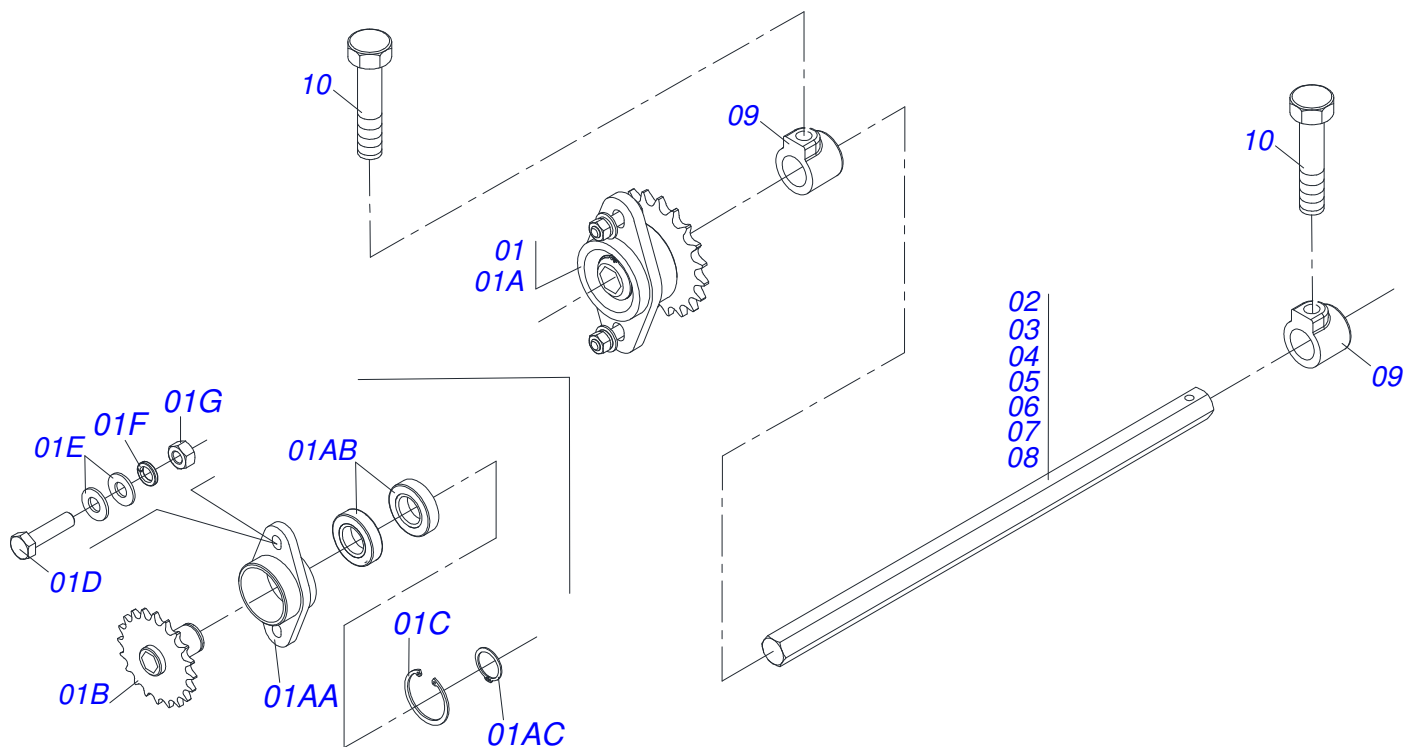
Item	Code	Description	QT
01	0511066934	CHAIN TENSIONER	01
01A	0511066935	CHAIN TENSIONER PIVOT AXLE	01
01B	0501056573	17Z GEAR ASSY	01
01C	0503010025	3/8 SPRING WASHER	01
01D	0501010984	FLAT WASHER	01
01E	0503010026	3/8" NUT	01
01F	0503010003	1845 GREASE FITTING	01
01G	0503010302	501019 SEAL RING	02
01H	0503030402	PULLEY	01
01I	0503031367	SPRING	01
01J	0503010019	1/2" SPRING WASHER	02
01K	0503010060	1/2" NUT	02



Item	Code	Description	QT
01	0511062810	2.5" X 15" CYLINDER CASE	01
02	0501065662	HYDRAULIC CYLINDER TURNBUCKLE	01
03	0502010471	MOBILE COVER	01
04	0502010780	RING SUPPORT	01
05	0503010163	D-1500 SCRAPER RING	01
06	0503010989	1870-1500-375-B GASKET	01
07	0503010970	W1-1650-500 PK O'RING G.E	01
08	0503011058	8-330 BACK-UP RING	01
09	0503010161	2-330 N 3006 9B O'RING	01
10	0503010285	2-222 N 3006-9B O'RING	01
11	0502010783	1.5" X 2.5" PISTON	01
12	0503010160	2500 2000 GASKET	02
13	0503010973	W2-2500-500 PK O'RING G.E	01
14	0503010063	1" SELF-ALIGNING NUT	01
15	0503030384	CON N-001 PLUG	02
16	0501032666	HYDRAULIC CYLINDER REPAIR KIT	01



Item	Code	Description	QT
01	0502012367	17Z X P 1/2" GEAR INTERM	01
02	0503012882	BALL BEARING	01
03	0503011945	503050 CLAMPING RING (FOR AXLE)	01



Item	Code	Description	07	09	11	13	15	17	19
001	0501053653	BEARING WITH 20Z GEAR	02	02	02	02	02	02	02
001A	0501053654	5/8 DOUB BEARING OF THE SEED TRANSM	02	02	02	02	02	02	02
001AA	0502012031	HOUSING BEARING	02	02	02	02	02	02	02
001AB	0503012861	6006 2RS BALL BEARING	04	04	04	04	04	04	04
001AC	0503012858	502075 CLAMPING RING (FOR HOLE)	02	02	02	02	02	02	02
001B	0511063185	20Z GEAR WITH HEX HOLE AXLE, 20	02	02	02	02	02	02	02
001C	0503010707	501030 CLAMPING RING (FOR AXLE)	02	02	02	02	02	02	02
001D	0503010365	NUT	04	04	04	04	04	04	04
001E	0501010694	FLAT WASHER	08	08	08	08	08	08	08
001F	0503010179	SPRING WASHER	04	04	04	04	04	04	04
001G	0503010337	5/16" NUT	04	04	04	04	04	04	04
002	0531013212	3/4" X 63" HEX AXLE	02	00	00	00	00	00	00
003	0531013213	3/4" X 79" HEX AXLE	00	02	00	00	00	00	00
004	0531013214	3/4" X 95" HEX AXLE	00	00	02	00	00	00	00
005	0531013215	3/4" X 113" HEX AXLE	00	00	00	02	00	00	00
006	0531013216	3/4" X 130" HEX AXLE	00	00	00	00	02	00	00
007	0531013217	3/4" X 15" HEX AXLE	00	00	00	00	00	02	00
008	0531013218	3/4" X 1.6" HEX AXLE	00	00	00	00	00	00	02
009	0511063123	BUSHING WITH NUT	04	04	04	04	04	04	04
010	0503010834	1/2 X 1 BOLT	05	05	05	05	05	05	05



MARCHESAN IMPLEMENTOS E MÁQUINAS AGRÍCOLAS TATU S.A.

AV. Marchesan, 1979 - Post office box, 131 - CEP 15994-900 - Matão - SP - Brazil

Phone +55 16.3382-8282

(FAX Parts) + 55 16.3382. 8297 - (Export) + 55 16.3382.1003

e.mail: tatu@marchesan.com.br www.marchesan.com.br

Technical Publications: Elaboration

JOSÉ DOMINGOS GASPARI

Technical Publications: Revision

ALESSANDRA PATRICIA KAWAHARA CARRILI

Contact Catálogo:

E-mail = jgaspari@marchesan.com.br

**ORIGINAL PARTS
TATU**

