

PARTS CATALOG

ROW CROP PLANTERS

PST3/SUPREMA

Code: 0501090814



Series: S-0604

Rev.: 01

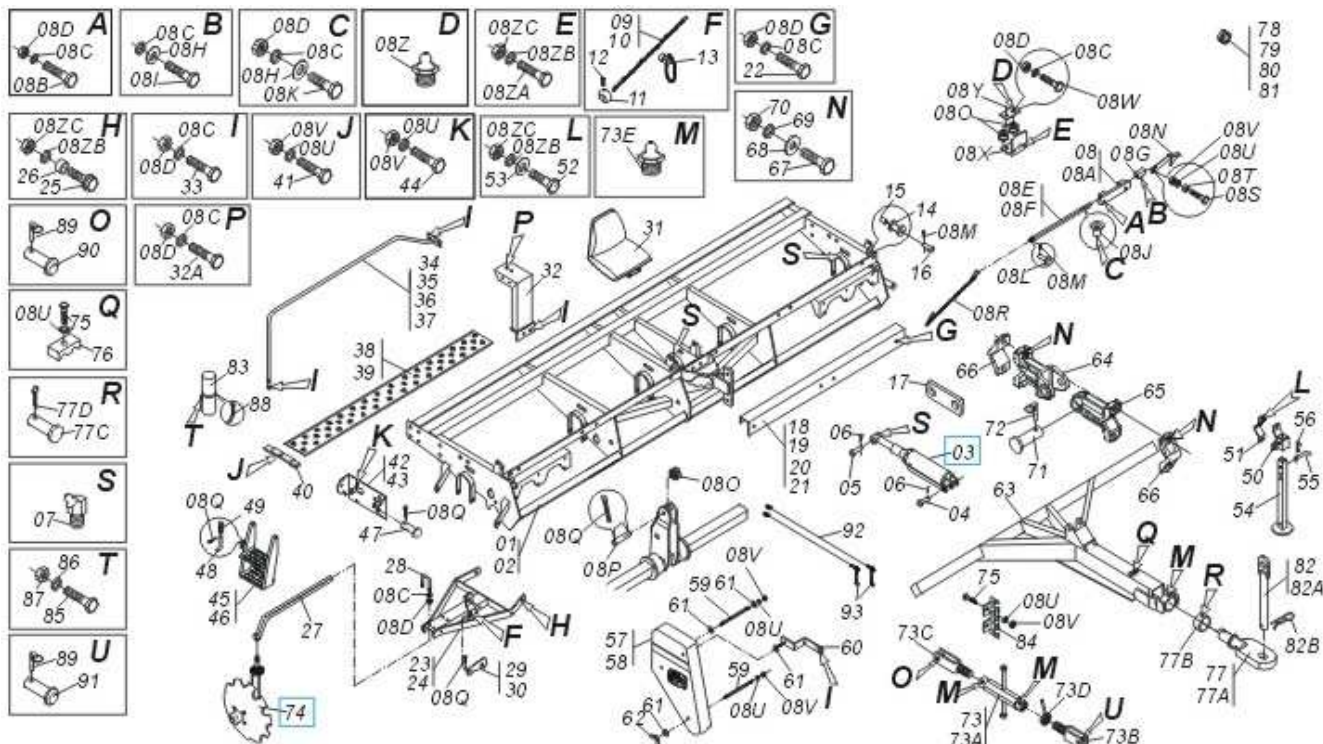
Date Rev.: FEVEREIRO/2007

ORIGINAL PARTS
TATU



INDEX

0909092896	FRAME PST3 8-9 S-0604	1
0909092887	10-12 PST3 FRAME S-0604	2
0501049849	2.0" X 4.5" X 25.8" HYDRAULIC CYLINDER	3
0501050633	MARKER DISC ASSY LINE	4
0909090985	TRANSMISSION	5
0501051577	STUB SHAFT HUB ASSY	6
0909090989	GEAR BOX ASSY	7
0501053037	IRON DEPTH CONTR. WHEEL ASSY	8
0909090981	RATCHET DRIVING	8
0501053080	IRON DEPTH CONTR. WHEEL	9
0909090977	FERTILIZER BOX	9
0511040203	1.5" X 2.5" X 19" X 9" HYDRAULIC CYLINDER	10
0909090978	PLASTIC FERTILIZER BOX	10
0909090990	FERTILIZER SEED ROW ASSY	11
0511041364(STU)		12
0909090004	15" X 15" SEED UNAL DOUB-DISC ASSY	12
0909090134	SEED DISTRIBUTOR ASSY	13
0909090053	15 X 15 SEED UNAL DOUB-DISC ASSY	14
0501052935	PRESS WHEELS ASSY	15
0909090195	WHEEL PRESS FERTILIZER ASSY (CBRF)	17
0909090973	SEED ROW	18
0909091030	ROD SCARIFIER SPINDLE	19
0909092759	FRAME PST3 SUPREMA 8 E 9 S-0604	20
0909092760	FRAME PST3 SUPREMA 10 E 12 S-0604	21
0909092761	TURBINE ASSY FOR CARDAN	22
0511041364	DRIVE SHAFT	23
0909090987	FERTILIZER SEED ROW SUPREMA ASSY	24
0909092763	SEED ROW ASSY	25
0501052710	SEED DISTRIBUTOR WITH DISC	26
0501052945	DEPTH CONTROL WHEELS ASSY	27
0909092764	ROW FERTILIZER ASSY	28
0909090102	FERTILIZER UNAL DOUB-DISC ASSY	29
0909092926	BLADE DISC ASSY	30
0909092765	HYDRAULIC CIRCUIT	31
0909092766	GENERAL ASSEMBLY	33
0501044565	VDFS002 SEQUENCE VALVE	34
0909092767	HYDRAULIC ROW MARKER ASSY 10L	34



Item	Code	Description	See page	8	9
01	0511065595	FRAME PST3 8 S-0604		01	
02	0511065596	FRAME PST3 9 S-0604		01	
03	0501049849	2.0" X 4.5" X 25.8" HYDRAULIC CYLINDER	3	01	01
04	0521012538	1.2" X 3.5" COUPLING SHAFT		01	01
05	0521012536	COUPLING SHAFT		01	01
06	0503010523	1/4" X 2" COTTERPIN		02	02
07	0503010003	1845 GREASE FITTING		05	05
08	0501043881	ROW MARKER PIVOT		01	01
08A	0501065640	ROW MARKER ROD GUIDE		02	02
08B	0503010238	1/2" X 1-3/4" BOLT		04	04
08C	0503010019	1/2" SPRING WASHER		40	40
08D	0503010060	1/2" NUT		40	40
08E	0501065644	ROW MARKER ARM/DISARMENT ROD		01	01
08F	0501064229	REGULATOR ARM/DISARMENT ROD		01	01
08G	0501062547	ROW MARKER BAR REGULATOR		01	01
08H	0511017302	FLAT WASHER		02	02
08I	0503010395	1/2" X 1-1/4" BOLT		07	07
08J	0521010454	0.83" X 1.25" X 0.79" SLEEVE		01	01
08K	0503010734	1/2" X 2-1/2" BOLT		01	01
08L	0521010539	0.3" X 1.2" COUPLING SHAFT		02	02
08M	0503010140	1/8" X 3/4" COTTERPIN		02	02
08N	0531010412	ROW MARKER ARM LOCK		02	02
08O	0502011231	CENTRAL PULLEY		01	01
08P	0511011309	AXLE PULLEY		01	01
08Q	0503010257	1/8" X 1" COTTERPIN		02	02
08R	0503030755	STEEL CABLE		01	01
08S	0501010096	3/8" X 2" BOLT		02	02
08T	0531010415	ROW MARKER ARM/DISARM GUIDE SLLVE		04	04
08U	0503010025	3/8 SPRING WASHER		02	02
08V	0503010026	3/8" NUT		02	02
08W	0511011308	BOLT		02	02



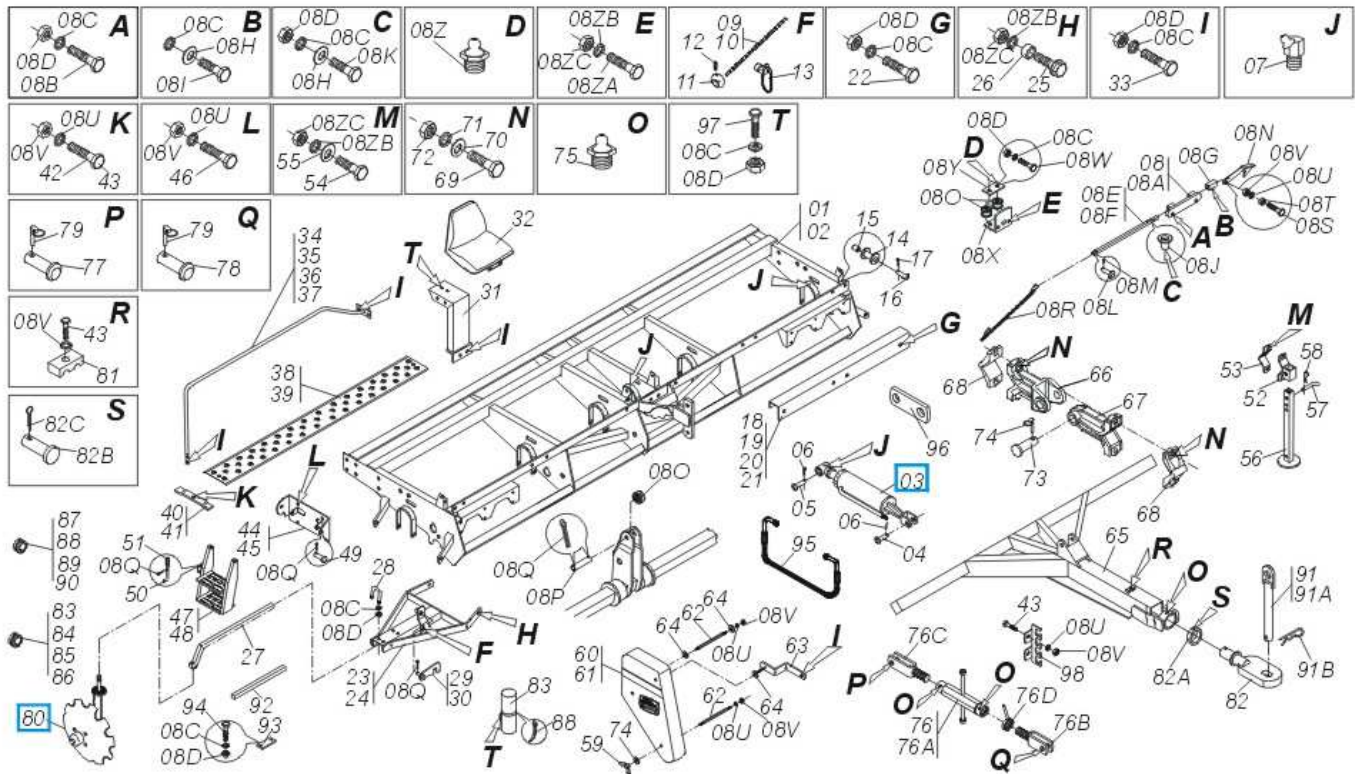
PST3/SUPREMA
FRAME PST3 8-9 S-0604

Item	Code	Description	See page	8	9
08X	0501065642	ROW MARKER SUPPORT		01	01
08Y	0521010693	PULLEY FIXER PLATE		01	01
08Z	0503010691	1/4" GREASE FITTING		02	02
08ZA	0503010232	5/8" X 1.3/4" BOLT		02	02
08ZB	0503010027	SPRING WASHER		02	02
08ZC	0503010013	5/8" NUT		02	02
09	0503011126	6,4 X 1000 CHAIN		02	
10	0503011127	6,4 X 1260 CHAIN		02	
11	0502011291	CHAIN SLEEVE		02	02
12	0503010683	0,2" X 1,2" SPRING PIN		02	02
13	0503011114	QUICK COUPLING PUMP		02	02
14	0502010421	SIDE PULLEY		02	02
15	0521010445	0.53" X 0.75" X 0.45" SLEEVE		02	02
16	0521010641	COUPLING SHAFT		02	02
17	0521013867	DRAWBAR TRANSPORT LOCK		01	01
18	0511011243	PROTECTION COVER ARM/DISARMMENT		01	
19	0511011270	PROTECTION COVER ARM/DISARMMENT		01	
20	0511011269	PROTECTION COVER ARM/DISARMMENT		01	
21	0511011271	PROTECTION COVER ARM/DISARMMENT		01	
22	0511017961	1/2" X 1-1/4" REB BOLT		02	02
23	0511060553	ROW MARKER SUPPORTE RIGHT		01	01
24	0511060554	ROW MARKER SUPPORTE LEFT		01	01
25	0503010769	5/8" X 2-1/4" BOLT		04	04
26	0521010479	SLEEVE ARTICULATION		04	04
27	0511062755	740 TURNBUCKLE		02	02
28	0521014411	1/2" X 2.76" X 1.54" FASTENER		04	04
29	0501069297	ROW MARKER LOCK RIGHT		01	01
30	0501069624	ROW MARKER LOCK LEFT		01	01
31	0521010577	0.9" X 4.1" COUPLING SHAFT		01	01
32	0501080510	3/8" X 137" TR-TR HOSE ASSY		02	02
33	0503010920	1/2" X 1.1/2" BOLT		04	04
34	0521061075	1550 HANDRAIL		01	
35	0521061076	1800 HANDRAIL		01	
38	0521011235	62.60" REAR PLATFORM		02	
39	0521011237	72.83" REAR PLATFORM		02	
40	0521011300	REAR PLATFORM FIXER		04	04
41	0501010080	3/8" BOLT		04	04
42	0551017438	LADDER RIGHT FIXER		01	01
43	0551017437	LADDER RIGHT FIXER		01	01
44	0503010237	3/8" X 1" BOLT		08	08
45	0511064807	STIRRUP		01	01
46	0501010984	FLAT WASHER		01	01
47	0521010542	COUPLING SHAFT		04	04
48	0503030085	LOCK PIN		02	02
49	0521010572	0.9" X 2.9" COUPLING SHAFT		01	01
50	0502011530	SUPPORT		02	02
51	0502010175	HITCH CLAMP		02	02
52	0501011543	5/8" X 4" BOLT		04	04
53	0501012140	FLAT WASHER		04	04
54	0511061835	PLOUGH SUPPORT		02	02
55	0501011075	PIN		02	02
56	0503030012	HAIR PIN		02	02
57	0503031376	RH CHAIN PROTECTION CAP		01	01
58	0503031377	LEFT CHAIN PROTECTION CAP		01	01
59	0511011417	HEX STUD 3/8" X 3/8" X 5.79"		04	04
60	0501069631	COVER FIXER		02	02
61	0501010984	FLAT WASHER		08	08
62	0503010209	3/8" UNC BUTTERFLY NUT		06	06
63	0511064808	DRAWBAR		01	01



PST3/SUPREMA
FRAME PST3 8-9 S-0604

Item	Code	Description	See page	8	9
64	0502012328	DRAWBAR SUPPORT FRONT FIXATION		01	01
65	0502012329	DRAWBAR FIXATION REAR SUPPORT		01	01
66	0502012330	SUPPORT FIXER PIVOT		01	01
67	0503011084	3/4" X 5" BOLT		01	01
68	0501010322	FLAT WASHER		01	01
69	0503010023	SPRING WASHER		01	01
70	0503010014	3/4" NUT		01	01
71	0531012336	1.4" X 5.35" COUPLING SHAFT		01	01
72	0503030119	LOCK PIN		01	01
73	0501054428	DRAWBAR TURNBUCKLE		01	01
73A	0501067353	508 PST3 TURNBUCKLE		01	01
73B	0511060558	RIGHT TURNBUCKLE		01	01
73C	0511060559	LEFT TURNBUCKLE		01	01
73D	0501061056	RH LOCKNUT WITH HANDLER		02	02
73E	0503010002	1800 GREASE FITTING		01	01
74	0501050633	MARKER DISC ASSY LINE	4	02	02
75	0503010751	C3/8" X 1.1/4" HEX BOLT G.5		02	02
76	0502010477	UPPER CLIP		01	01
77	0501051160	TRACTOR HITCH PIN		01	01
77A	0502040556	HITCH TURNER		01	01
77B	0521010681	BUSHING COUPLING BODY		01	01
77C	0521010639	COUPLING SHAFT		01	01
77D	0503010571	1/4" X 1.1/2 COTTERPIN		01	01
78	0501047895	ROD STOP		01	01
79	0501047896	1.18" ROD STOP		01	01
80	0501047897	1.38" ROD STOP		01	01
81	0501047898	1.57" ROD STOP		01	01
82	0501047881	COUPLING SHAFT		01	01
82A	0501068989	COUPLING SHAFT		01	01
82B	0503031035	HAIR PIN		01	01
83	0503060100	HAND BOOK COMPARTMENT		01	01
84	0541011767	HOSE FIXATION		01	01
85	0503010178	5/16" X 7/8" BOLT		01	01
86	0503010179	SPRING WASHER		01	01
87	0503010337	5/16" NUT		01	01
88	0503010267	NYLON CLAMP		01	01



Item	Code	Description	See page	10 12
01	0511064815	FRAME		01
02	0511064816	FRAME		01
03	0501049849	2.0" X 4.5" X 25.8" HYDRAULIC CYLINDER	3	01 01
04	0521012538	1.2" X 3.5" COUPLING SHAFT		01 01
05	0521012536	COUPLING SHAFT		01 01
06	0503010523	1/4" X 2" COTTERPIN		02 02
07	0503010003	1845 GREASE FITTING		05 05
08	0501043881	ROW MARKER PIVOT		01 01
08A	0501065640	ROW MARKER ROD GUIDE		02 02
08B	0503010238	1/2" X 1-3/4" BOLT		04 04
08C	0503010019	1/2" SPRING WASHER		47 47
08D	0503010060	1/2" NUT		47 47
08E	0501065644	ROW MARKER ARM/DISARMENT ROD		01 01
08F	0501064229	REGULATOR ARM/DISARMENT ROD		01 01
08G	0501062547	ROW MARKER BAR REGULATOR		01 01
08H	0511017302	FLAT WASHER		01 01
08I	0503010395	1/2" X 1-1/4" BOLT		01 01
08J	0521010454	0.83" X 1.25" X 0.79" SLEEVE		01 01
08K	0503010734	1/2" X 2-1/2" BOLT		01 01
08L	0521010539	0.3" X 1.2" COUPLING SHAFT		02 02
08M	0503010140	1/8" X 3/4" COTTERPIN		02 02
08N	0531010412	ROW MARKER ARM LOCK		02 02
08O	0502011231	CENTRAL PULLEY		03 03
08P	0511011309	AXLE PULLEY		01 01
08Q	0503010257	1/8" X 1" COTTERPIN		02 02
08R	0503030755	STEEL CABLE		01 01
08S	0501010096	3/8" X 2" BOLT		02 02
08T	0531010415	ROW MARKER ARM/DISARM GUIDE SLL EVE		04 04
08U	0503010025	3/8 SPRING WASHER		04 04
08V	0503010026	3/8" NUT		04 04
08W	0511011308	BOLT		02 02



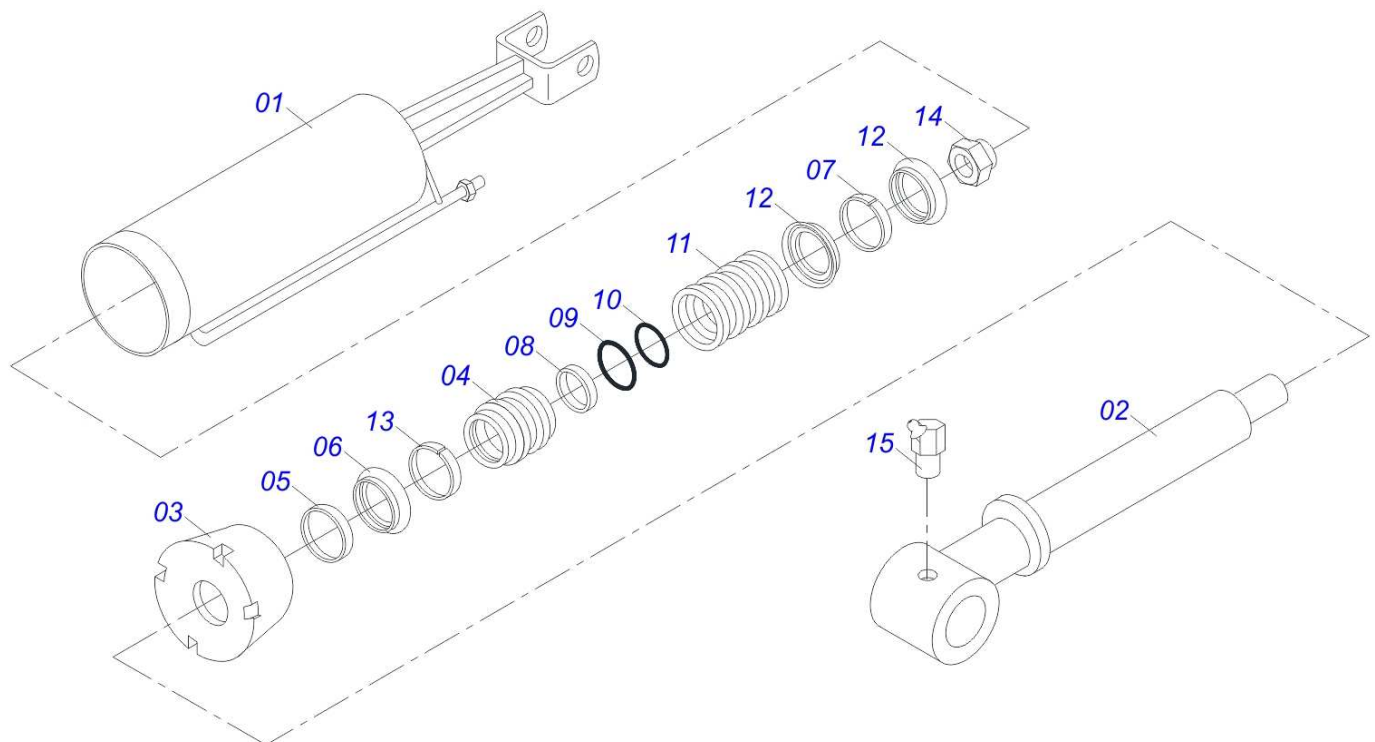
PST3/SUPREMA
10-12 PST3 FRAME S-0604

Item	Code	Description	See page	10 12
08X	0501065642	ROW MARKER SUPPORT		01 01
08Y	0521010693	PULLEY FIXER PLATE		01 01
08Z	0503010691	1/4" GREASE FITTING		02 02
08ZA	0503010232	5/8" X 1.3/4" BOLT		02 02
08ZB	0503010027	SPRING WASHER		02 02
08ZC	0503010013	5/8" NUT		02 02
09	0503011128	6,4 X 1400 CHAIN		02
10	0503011129	6,4 X 1900 CHAIN		02
11	0502011291	CHAIN SLEEVE		02 02
12	0503010683	0,2" X 1,2" SPRING PIN		02 02
13	0503011114	QUICK COUPLING PUMP		02 02
14	0502010421	SIDE PULLEY		02 02
15	0521010445	0.53" X 0.75" X 0.45" SLEEVE		02 02
16	0521010641	COUPLING SHAFT		02 02
17	0503010140	1/8" X 3/4" COTTERPIN		02 02
18	0511011272	PROTECTION COVER ARM/DISARMMENT		01
19	0511011274	PROTECTION COVER ARM/DISARMMENT		01
20	0511011273	PROTECTION COVER ARM/DISARMMENT		01
21	0511011275	PROTECTION COVER ARM/DISARMMENT		01
22	0511017961	1/2" X 1-1/4" REB BOLT		02 02
23	0511060553	ROW MARKER SUPPORTE RIGHT		01 01
24	0511060554	ROW MARKER SUPPORTE LEFT		01 01
25	0503010769	5/8" X 2-1/4" BOLT		04 04
26	0521010479	SLEEVE ARTICULATION		04 04
27	0501069643	890 TURNBUCKLE		02 02
28	0521014411	1/2" X 2.76" X 1.54" FASTENER		04 04
29	0501069297	ROW MARKER LOCK RIGHT		01 01
30	0501069624	ROW MARKER LOCK LEFT		01 01
31	0501067214	SEAT SUPPORT		01 01
32	0503030591	SEAT		01 01
33	0503010920	1/2" X 1.1/2" BOLT		05 05
34	0501069558	RIGHT HANDRAIL		01
35	0501069560	RIGHT HANDRAIL		01
36	0501069559	LEFT HANDRAIL		01
37	0521061078	2470 HANDRAIL		01
38	0521011241	REAR PLATFORM 1990 PST2 10 S-0498		02
39	0521011244	REAR PLATFORM 2490 PST2 12 S-0498		02
40	0521011300	REAR PLATFORM FIXER		04
41	0501069351	REAR PLATFORM FIXER		04
42	0501010080	3/8" BOLT		04
43	0503010751	C3/8" X 1.1/4" HEX BOLT G.5		07
44	0531016952	LADDER SUPPORT RIGHT		01 01
45	0531016953	LADDER SUPPORT LEFT		01 01
46	0503010237	3/8" X 1" BOLT		08 08
47	0501069281	RIGHT LADDER		01 01
48	0501069282	LEFT LADDER		01 01
49	0521010542	COUPLING SHAFT		04 04
50	0521011249	LADDER LOCK PIN		02 02
51	0503030190	0.5" X 1.6" X 0.05" SPRING		02 02
52	0502011530	SUPPORT		02 02
53	0502010175	HITCH CLAMP		02 02
54	0501011543	5/8" X 4" BOLT		04 04
55	0501012140	FLAT WASHER		04
56	0511061835	PLOUGH SUPPORT		02 02
57	0501011075	PIN		02 02
58	0503030012	HAIR PIN		02 02
59	0503010209	3/8" UNC BUTTERFLY NUT		06 06
60	0503031376	RH CHAIN PROTECTION CAP		01 01
61	0503031377	LEFT CHAIN PROTECTION CAP		01 01

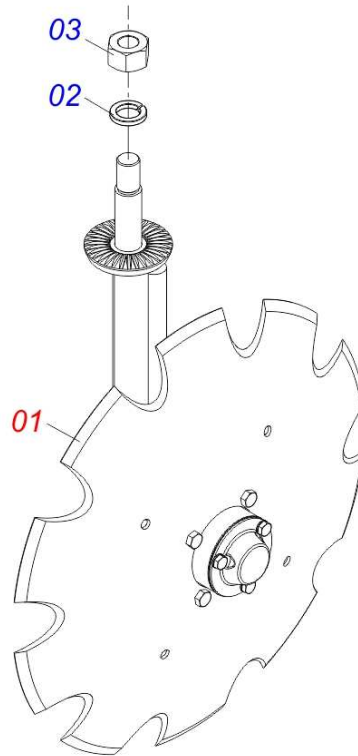


PST3/SUPREMA
10-12 PST3 FRAME S-0604

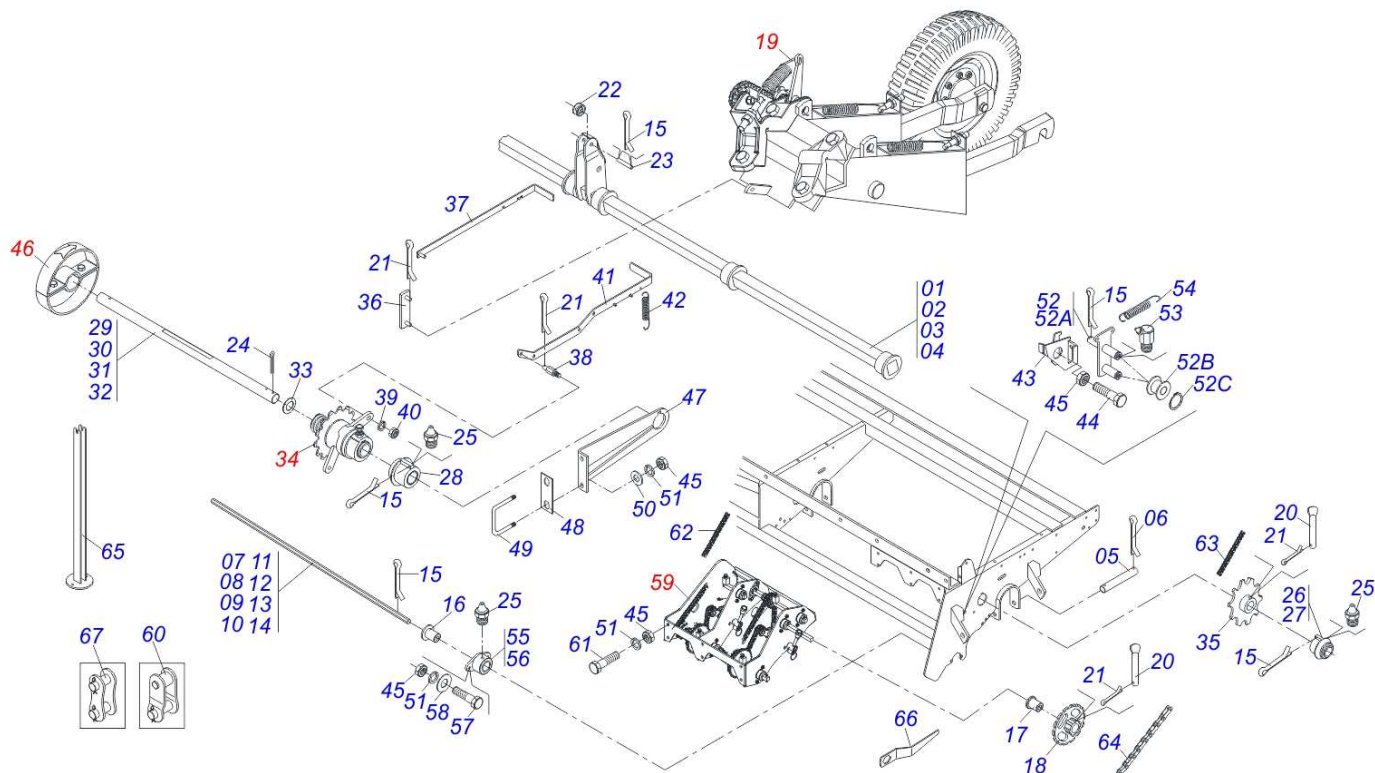
Item	Code	Description	See page	10 12
62	0511011417	HEX STUD 3/8" X 3/8" X 5.79"		04 04
63	0501069631	COVER FIXER		02 02
64	0501010984	FLAT WASHER		08 08
65	0511064808	DRAWBAR		01 01
66	0502012328	DRAWBAR SUPPORT FRONT FIXATION		02 02
67	0502012329	DRAWBAR FIXATION REAR SUPPORT		02 02
68	0502012330	SUPPORT FIXER PIVOT		02 04
69	0503011084	3/4" X 5" BOLT		08 08
70	0501010322	FLAT WASHER		08 08
71	0503010023	SPRING WASHER		08 08
72	0503010014	3/4" NUT		08 08
73	0531012336	1.4" X 5.35" COUPLING SHAFT		02 02
74	0503030119	LOCK PIN		02 02
75	0503010002	1800 GREASE FITTING		03 03
76	0501054428	DRAWBAR TURNBUCKLE		01 01
76A	0501067353	508 PST3 TURNBUCKLE		01 01
76B	0511060558	RIGHT TURNBUCKLE		01 01
76C	0511060559	LEFT TURNBUCKLE		01 01
76D	0501061056	RH LOCKNUT WITH HANDLER		01 01
77	0521010572	0.9" X 2.9" COUPLING SHAFT		01 01
78	0521010577	0.9" X 4.1" COUPLING SHAFT		01 01
79	0503030085	LOCK PIN		02 02
80	0501050633	MARKER DISC ASSY LINE	4	02 02
81	0502010477	UPPER CLIP		01 01
82	0501051160	TRACTOR HITCH PIN		01 01
82A	0521012681	TRACTOR HITCH BODY		01 01
82B	0521010639	COUPLING SHAFT		01 01
82C	0503010571	1/4" X 1.1/2 COTTERPIN		01 01
83	0501047895	ROD STOP		01
84	0501047896	1.18" ROD STOP		01
85	0501047897	1.38" ROD STOP		01
86	0501047898	1.57" ROD STOP		01
87	0501043620	0.98" ROD STOP FOR 2" CYLINDER		01
88	0501043694	1.18" ROD STOP FOR 2" CYLINDER		01
89	0501046407	1.18" ROD STOP FOR 2" CYLINDER		01
90	0501043695	1.6" ROD STOP FOR 2" CYLINDER		01
91	0501042545	HITCH PIN ASSY		01 01
91A	0501068989	COUPLING SHAFT		01 01
91B	0503031035	HAIR PIN		01 01
92	0521013164	PROTRACTOR TURNBUCKLE		02 02
93	0501011310	FIXER LOCK		04 04
94	0503010706	1/2" X 4.1/2" BOLT		08 08
95	0501080510	3/8" X 137" TR-TR HOSE ASSY		02 02
96	0501011310	FIXER LOCK		01 01
97	0503010834	1/2 X 1 BOLT		02 02
98	0541011767	HOSE FIXATION		01 01



Item	Code	Description	See page	QT
01	0511065689	114,3 X 506 CYLINDER CASE		01
02	0511065690	50,8 X 413 TURNBUCLE		01
03	0502011222	0.56" MOBILE COVER		01
04	0502011220	2" X 4.5" RING SUPPORT		01
05	0503010039	D-2000 SCRAPER RING		01
06	0503010991	PACKING 1870-2000-375-B		01
07	0503010952	W2-2250-500 PK RING G.E		01
08	0503011893	8-346 BACK-UP RING		01
09	0503011892	2-346 N 3006-9B O'RING		01
10	0503010345	2-218 N 3006-9B O'RING		01
11	0502011221	2.0" X 4.5" PISTON		01
12	0503011890	3750-3750 GASKET		02
13	0503011891	W2-4500-500 RING G.E		01
14	0503010817	1-1/4" SELF-ADJUSTING NUT		01
15	0503010003	1845 GREASE FITTING		01



Item	Code	Description	See page	QT
01	0511053904	DISC LINE MARKER		01
02	0503010023	SPRING WASHER		01
03	0503010014	3/4" NUT		01

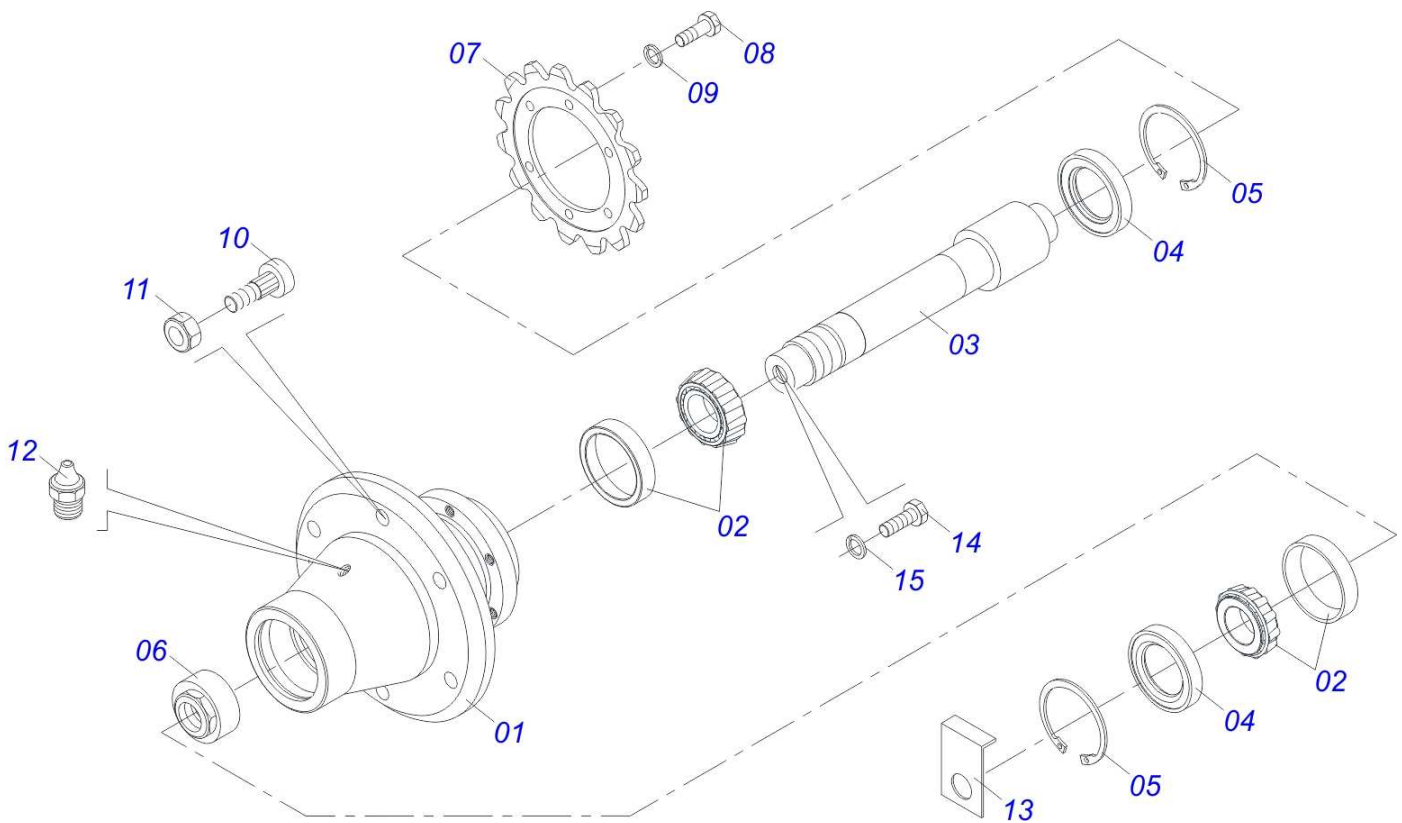


Item	Code	Description	See page	08	09	10	12
01	0511062157	CARRYING-WHEELS PIVOT SHAFT		01	00	00	00
02	0511062158	CARRYING-WHEELS PIVOT SHAFT		00	01	00	00
03	0511062159	CARRYING-WHEELS PIVOT SHAFT		00	00	01	00
04	0511062160	CARRYING-WHEELS PIVOT SHAFT		00	00	00	01
05	0521010569	COUPLING SHAFT		04	04	04	04
06	0503010571	1/4" X 1.1/2 COTTERPIN		08	08	08	08
07	0501017440	5/8" X 60.4" HEX AXLE		01	00	00	00
08	0501017441	5/8" X 69.3" HEX AXLE		01	00	00	00
09	0511010749	5/8" X 71.8" HEX AXLE		00	01	00	00
10	0511010750	5/8" X 79.1" HEX AXLE		00	01	00	00
11	0501017442	5/8" X 76.1" HEX AXLE		00	00	01	00
12	0501017443	5/8" X 85" HEX AXLE		00	00	01	00
13	0501017432	5/8" X 95.8" HEX AXLE		00	00	01	00
14	0501017433	5/8" X 2660" HEX AXLE		00	00	01	00
15	0503010257	1/8" X 1" COTTERPIN		10	10	12	12
16	0502040723	5/8 HEX AXLE BEARING SLEEVE		02	02	02	02
17	0502011299	BUSHING GEAR		02	02	02	02
18	0502010411	10Z GEAR		02	02	02	02
19	0511055018	WHEELSET WITH SPRING TRACTION		02	02	02	02
20	0521010530	COUPLING SHAFT		04	04	04	04
21	0503010140	1/8" X 3/4" COTTERPIN		10	10	16	16
22	0502011231	CENTRAL PULLEY		01	01	01	01
23	0511011309	AXLE PULLEY		01	01	01	01
24	0503010523	1/4" X 2" COTTERPIN		06	06	06	06
25	0503010002	1800 GREASE FITTING		02	02	02	02
26	0501110292	AGRICULTURAL BEARING		01	01	01	01
27	0501110293	AGRICULTURAL BEARING		01	01	01	01
28	0501110025	AGRICULTURAL BEARING		04	04	06	06
29	0521012469	1-3/8" X 59.3" AXLE		02	00	00	00
30	0521012470	1-3/8" X 70.0" AXLE		00	02	00	00
31	0521012471	1-3/8" X 75.2" AXLE		00	02	00	00

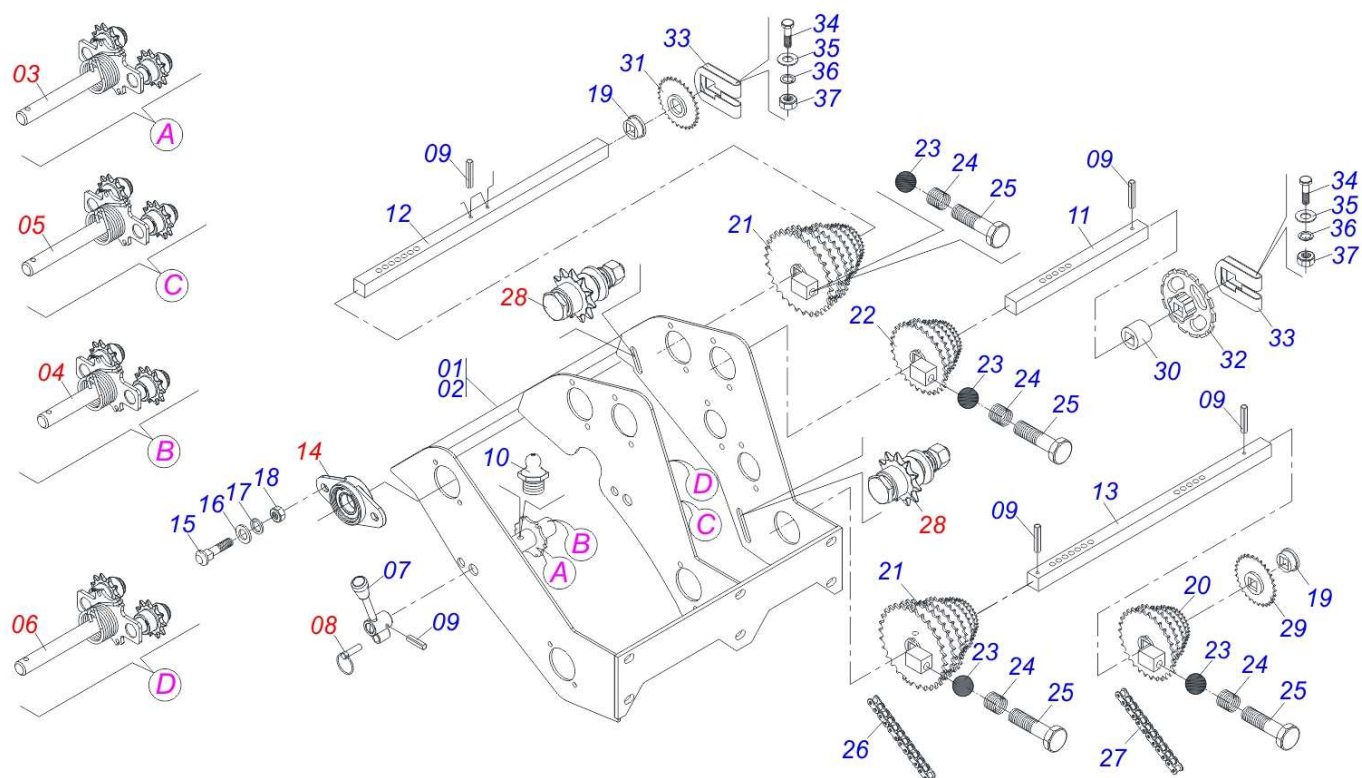


PST3/SUPREMA
TRANSMISSION

Item	Code	Description	See page	08	09	10	12
32	0521012472	1-3/8" X 94.8" AXLE		00	00	02	00
33	0501018466	FLAT WASHER		10	10	10	10
34	0501051596	TRANSMISSION RIGHT DRIVING		02	02	04	04
35	0501069585	17Z P5/8" GEAR ROUND HOLE 1.4"		02	02	02	02
36	0511060719	DISARMMENT/ARM PIVOT ARM		02	02	04	04
37	0501067046	RATCHET RESET		02	00	02	04
38	0521015800	REAR LEVER FASTENER		00	02	02	00
39	0503010025	3/8 SPRING WASHER		04	06	06	04
40	0503010026	3/8" NUT		04	06	06	04
41	0521015778	RATCHET PIVOT ARM		00	02	02	00
42	0503030198	0.6" X 2.4" X 0.1" EXTENSION SPRING		02	02	04	04
43	0501069850	RATCHET BAR DES.		02	02	04	04
44	0503011082	C1/2" X 1.3/4" BOLT		02	02	04	04
45	0503010060	1/2" NUT		14	14	20	20
46	0501052560	AXLE MOTOR SLOW-MOVING ASSY		02	02	02	02
47	0511060718	MOTOR AXLE BEARING SUPPORTE		02	02	04	04
48	0521014436	MOTOR CHOCK SUPPORT BEARING AXLE		06	06	12	12
49	0521014021	1/2" X 4.5" X 5.4" FASTENER		02	02	04	04
50	0511017302	FLAT WASHER		04	04	08	08
51	0503010019	1/2" SPRING WASHER		12	12	16	16
52	0501042500	CHAIN TENSIONER ASSY		02	02	02	02
52A	0501067694	CHAIN TENSIONER		02	02	02	02
52B	0503030402	PULLEY		02	02	02	02
52C	0503010302	501019 SEAL RING		02	02	02	02
53	0503010003	1845 GREASE FITTING		02	02	02	02
54	0503030418	TRACTION SPRING		02	02	02	02
55	0501110036	HEX AXLE RIGHT BEARING ASSY		01	01	01	01
56	0501110037	5/8" HEX AXLE LEFT BEARING ASSY		01	01	01	01
57	0503010363	5/16" X 1" BOLT		04	04	04	04
58	0501010694	FLAT WASHER		04	04	04	04
59	0909090989	GEAR BOX ASSY	7	01	01	01	01
60	0503010951	REDUCTION		04	04	04	04
61	0503010920	1/2" X 1.1/2" BOLT		08	08	08	08
62	0503012698	2050 CHAIN X 53 LINK + MENDING		02	02	02	02
63	0503011647	50-1 CHAIN X 42 LINK + REDUCTION		02	02	02	02
64	0503012125	2050 CHAIN X 49 LINK + MENDING		02	02	02	02
65	0501065677	STRUT		02	02	02	02
66	0501011432	1-1/2" AND 1-5/8 GANG BOLT WRENCH		01	01	01	01
67	0503010780	N-2050 AMENDMENT		02	02	02	02



Item	Code	Description	See page	QT
01	0502011284	CARRYING WHEEL HUB		01
02	0503010037	30207 ROLLER BEARING		02
03	0511015300	WHEELS AXLE		01
04	0503010590	00674-B SEAL		02
05	0503010370	502072 CLAMPING RING (FOR AXLE)		02
06	0502040663	ADJUSTMENT NUT		01
07	0502011339	15Z GEAR P 1.25"		01
08	0503010240	5/16" X 3/4" BOLT		06
09	0503010179	SPRING WASHER		06
10	0501010127	9/16" X 1-7/8" LUG BOLT		06
11	0503013001	9/16" CONICAL NUT		06
12	0503010002	1800 GREASE FITTING		01
13	0521012190	AXLE LOCK		01
14	0503011167	M16 X 2 X 30 BOLT		01
15	0503010027	SPRING WASHER		01

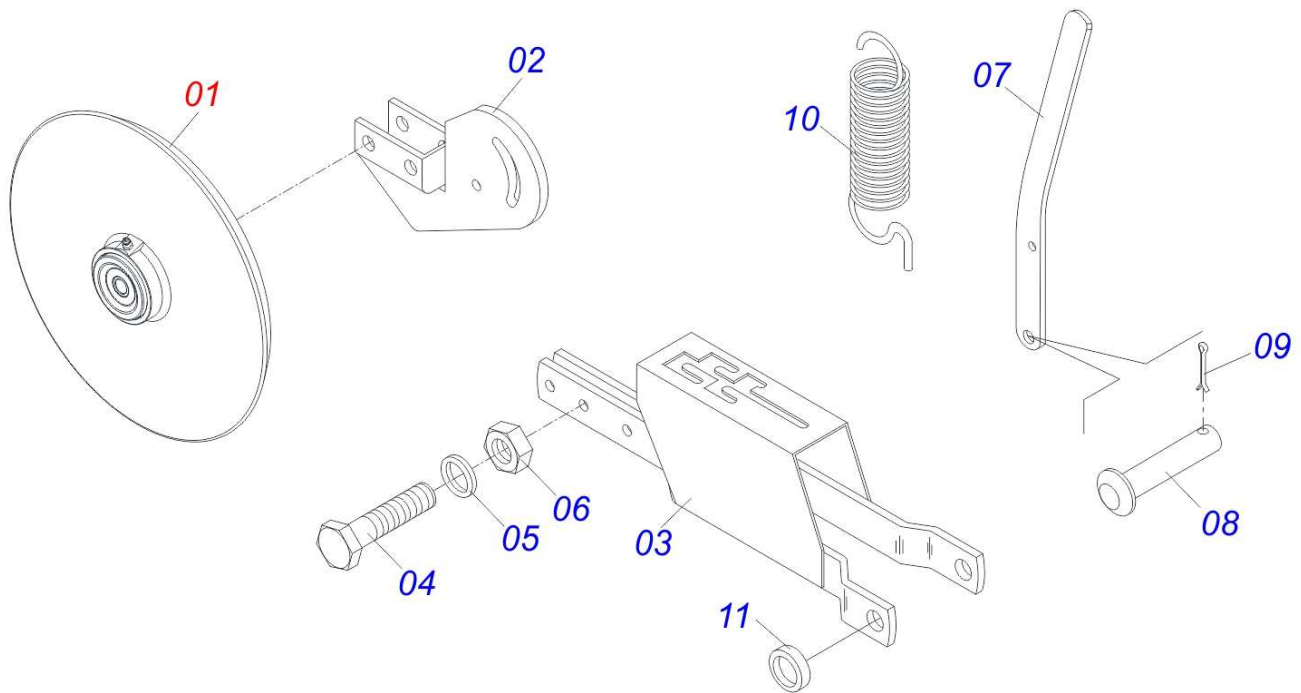


Item	Code	Description	See page	QT
00	0501049365	RIGHT GEAR BOX ASSY	01	
00.	0501049366	LEFT GEAR BOX ASSY	01	
01	0511060682	FERTILIZER GEAR BOX RIGHT SUPPORT	01	
02	0511060683	FERTILIZER GEAR BOX LEFT SUPPORT	01	
03	0501052236	CHAIN TENSIONER ASSY	01	
04	0501052238	CHAIN TENSIONER ASSY	01	
05	0501052237	CHAIN TENSIONER ASSY	01	
06	0501052239	CHAIN TENSIONER ASSY	01	
07	0502011758	REAR TENSIONER LEVER	02	
08	0501048790	AXLE WITH LINK ASSY	02	
09	0503010292	0.2" X 1.6" SPRING PIN	08	
10	0503010002	1800 GREASE FITTING	02	
11	0521017618	SEEP CONE MOV. AXLE	01	
12	0521014548	FERTILIZER CONE MOV. AXLE	01	
13	0521014144	FERTILIZER/SEEP CONE MOV. AXLE	01	
14	0501052759	BEARING OF THE GEAR BOX ASSY	08	
15	0503011953	5/16" X 1" BOLT	16	
16	0501010694	FLAT WASHER	16	
17	0503011444	SPRING WASHER	16	
18	0503010337	5/16" NUT	16	
19	0503030303	SUPPORT WASHER	05	
20	0511061668	SEED SYSTEM DRIVE AXLE, CONE	01	
21	0511060396	DRIVE/DRIVEN AXLE CONE	02	
22	0511061667	SEED SYSTEM DRIVEN AXLE, CONE	01	
23	0503012389	1/2 BALL	04	
24	0503031512	0.4" X 0.1" X 2" X 0.6" SPRING	04	
25	0503010395	1/2" X 1-1/4" BOLT	04	
26	0503012390	40-1 CHAIN X 93 LINK + MENDING	01	
27	0503012391	40-1 CHAIN X 83 LINK + MENDING	01	
28	0501054655	CHAIN TENSIONER ASSY	02	
29	0501069874	17Z P 0.6" GEAR SQUARE HOLE 3/4"	01	

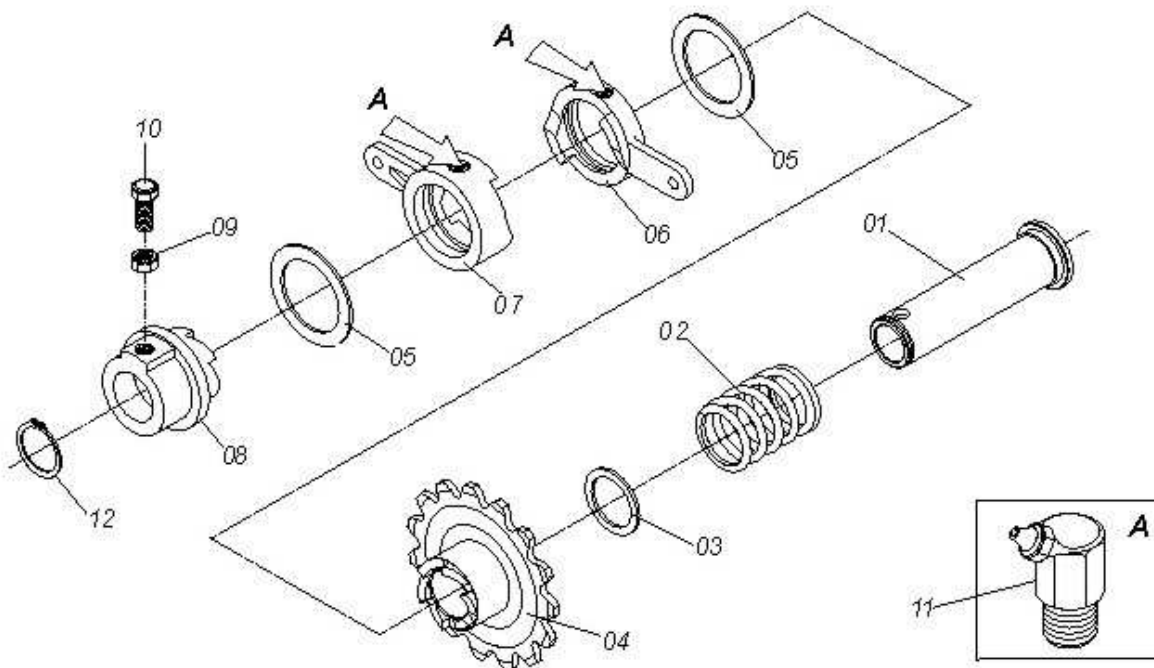


PST3/SUPREMA
GEAR BOX ASSY

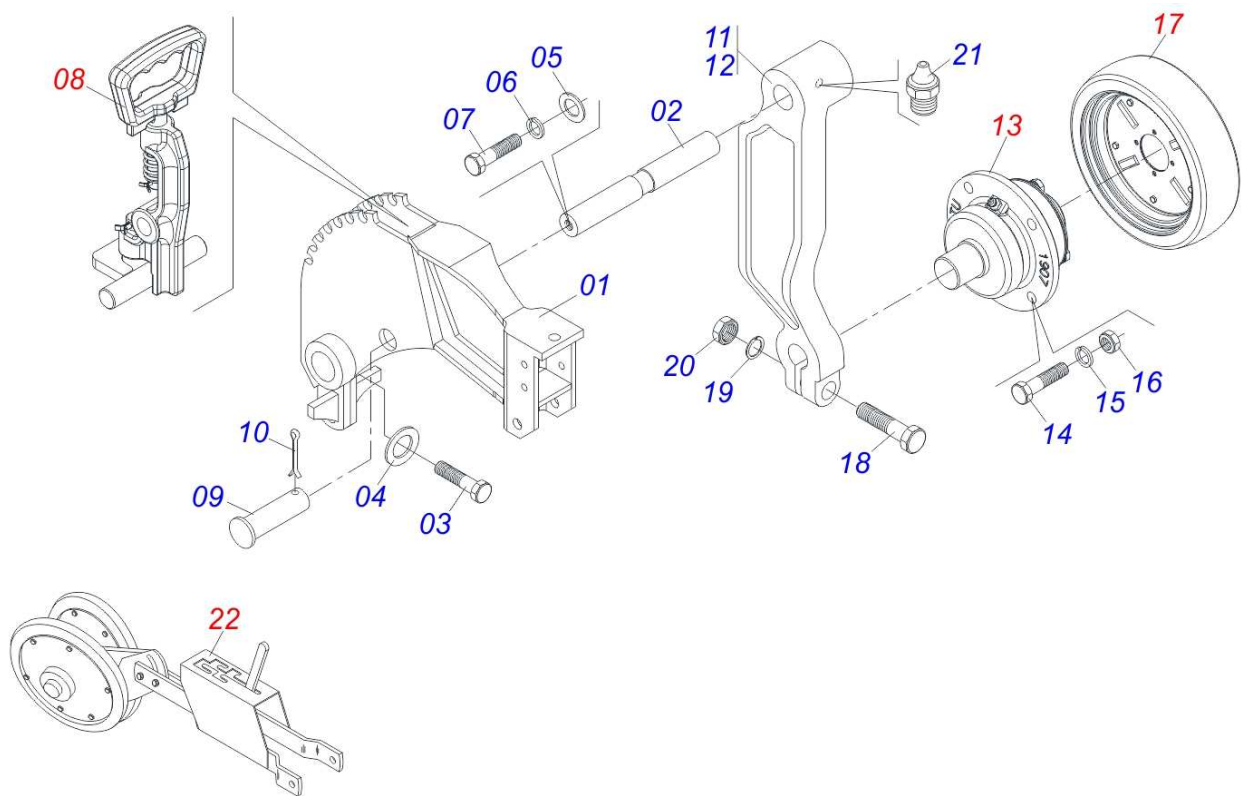
Item	Code	Description	See page	QT
30	0521018630	1.4" X SQUARE 0.8" WASHER		01
31	0511061759	22Z P12,70 FQ 3/4" GEAR		01
32	0502011325	12Z P 1.2" GEAR		01
33	0521010691	AXLE FASTENER		04
34	0503010373	1/4" X 2" BOLT		04
35	0501010694	FLAT WASHER		04
36	0503010143	SPRING WASHER		04
37	0503010144	1/4" NUT		04



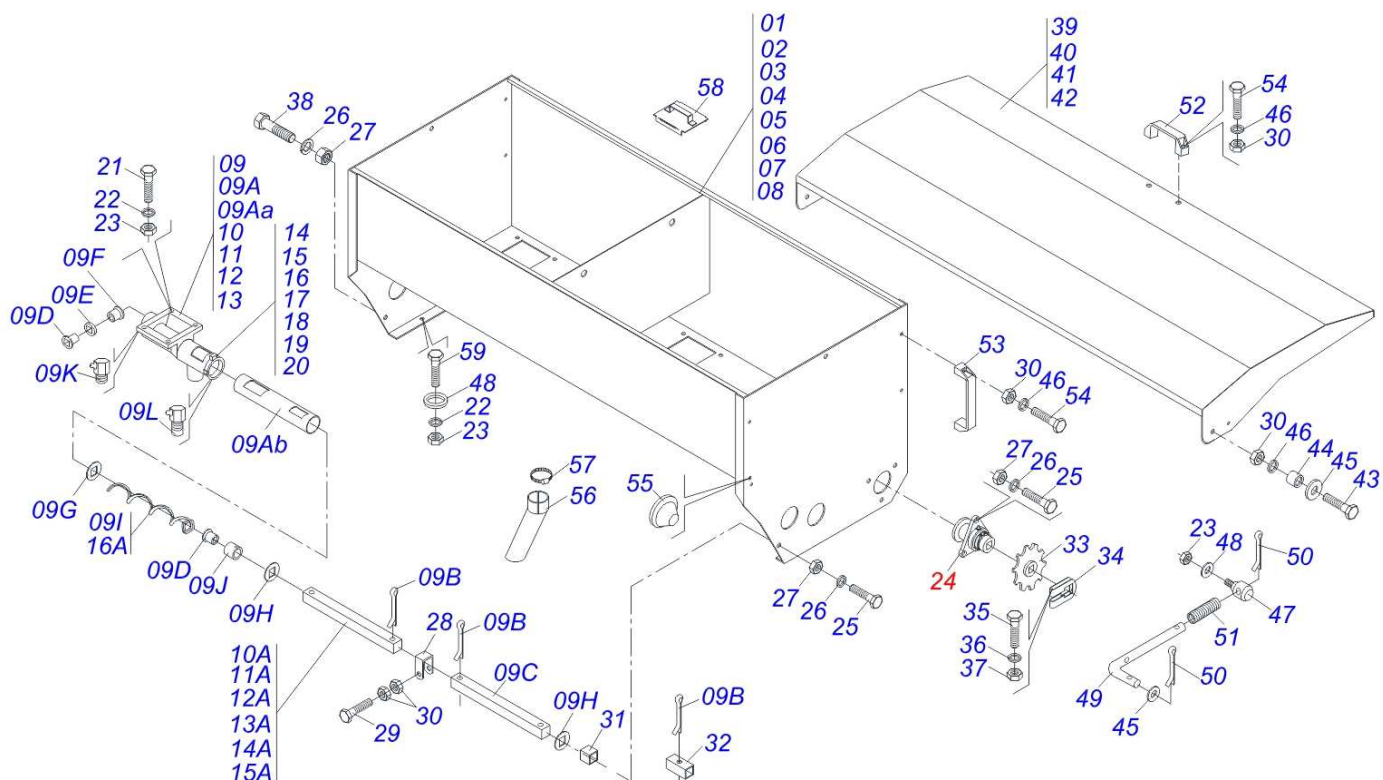
Item	Code	Description	See page	QT
01	0501052957	IRON V PRESS WHEELS		02
02	0502011757	PRESS REGULATOR		01
03	0511060673	PRESS WHEELS REGULATOR		01
04	0503010849	3/8" X 1-1/2" BOLT		02
05	0503010025	3/8 SPRING WASHER		02
06	0503010026	3/8" NUT		02
07	0521013398	PRESS WHEELS REGULATOR BODY		01
08	0521010539	0.3" X 1.2" COUPLING SHAFT		01
09	0503010257	1/8" X 1" COTTERPIN		01
10	0503030805	1.6" X 6" X 0.2" TRACTION SPRING		01
11	0521010480	1" X 1.2" X 0.4" ARTICULAT SLEEVE		02



Item	Code	Description	See page	QT
00	0501051596	TRANSMISSION RIGHT DRIVING		01
01	0501110220	MECHANICAL RATCHET AXLE		01
02	0503030553	2.3"X 2.5"X 0.2"COMPRESSION SPRING		01
03	0501019735	FLAT WASHER		01
04	0502011329	14Z GEAR WITH RIGHT DRAGGER		01
05	0501019734	FLAT WASHER		02
06	0502010711	RIGHT CAM,LARGER		01
07	0502010710	RIGHT CAM, SMALLER		01
08	0502010708	RH DRIVING AXLE FOLLOWER		01
09	0503010060	1/2" NUT		01
10	0503011082	C1/2" X 1.3/4" BOLT		01
11	0503010003	1845 GREASE FITTING		02
12	0503010542	501045 CLAMPING RING (FOR AXLE)		01



Item	Code	Description	See page	QT
01	0502012086	DEPTH CONTROL SUPPORT		01
02	0511012244	DEPTH CONTROL WHEEL AXLE		01
03	0503010256	3/8" X 3/4" BOLT		01
04	0521015818	FLAT WASHER		04
05	0511017302	FLAT WASHER		02
06	0503010019	1/2" SPRING WASHER		02
07	0503010834	1/2 X 1 BOLT		02
08	0501052297	DEPTH WHEELS REGULATOR ASSY		01
09	0521019093	0.6" X 2.7" PIVOT SHAFT		01
10	0503010778	1/8" X 1.1/2" COTTERPIN		01
11	0502011699	RIGHT DEPTH WHEEL ARM		01
12	0502011698	LEFT DEPTH WHEEL ARM		01
13	0501052627	ASSY DEPTH WHEEL BOX		02
14	0503010358	5/16" X 5/8" BOLT		08
15	0503010179	SPRING WASHER		08
16	0503013816	5/16" LOCKNUT		08
17	0501052538	DEPTH BAND WITH ARMS		02
18	0503010740	1/2" X 2" BOLT		02
19	0503011440	SPRING WASHER		02
20	0503010060	1/2" NUT		02
21	0503010002	1800 GREASE FITTING		02
22	0501053037	IRON DEPTH CONTR. WHEEL ASSY	8	01

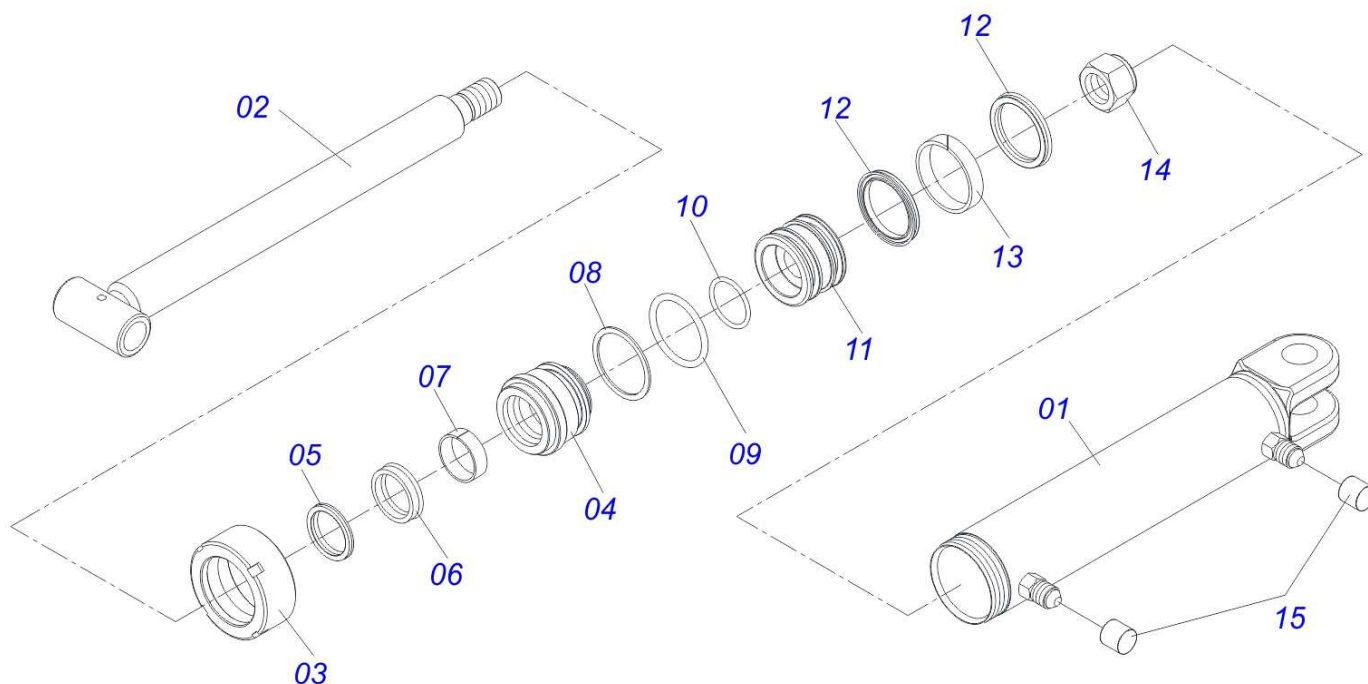


Item	Code	Description	See page	08	09	10	12
01	0501069245	RIGHT BOX FERTILIZER		01	00	00	00
02	0501069247	RIGHT BOX FERTILIZER		00	01	00	00
03	0501069249	RIGHT BOX FERTILIZER		00	00	01	00
04	0501069251	RIGHT BOX FERTILIZER		00	00	00	01
05	0501069246	LEFT BOX FERTILIZER		01	00	00	00
06	0501069248	LEFT BOX FERTILIZER		00	01	00	00
07	0501069250	LEFT BOX FERTILIZER		00	00	01	00
08	0501069252	LEFT BOX FERTILIZER		00	00	00	01
09	0501050272	DISTRIBUTOR OF RIGHT FERTILIZER		03	02	04	05
09A	0501110120	FERTILIZER DISTRIBUTOR BODY		08	09	10	12
09Aa	0502010596	FERTILIZER DISTRIBUTOR BODY		08	09	10	12
09Ab	0511013789	FERTILIZER TUBE		08	09	10	12
09B	0503013155	1/4" X 1.1/4" COTTERPIN		16	18	20	24
09C	0501017391	3/4" X 14.3" SQUARE SHAFT		06	05	08	10
09D	0503030275	AGRICULTURAL BEARING		16	18	20	24
09E	0501013774	GREASE SEAL		08	09	10	12
09F	0503030303	SUPPORT WASHER		08	09	10	12
09G	0501010637	FLAT WASHER		08	09	10	12
09H	0511017137	FLAT WASHER		08	09	10	12
09I	0503031164	RIGHT HELICAL CONDUTOR		04	04	05	06
09J	0521010309	SLEEVE INTER		08	09	10	12
09K	0503012826	CREASE FITTING		08	09	10	12
09L	0503011962	GREASE FITTING		08	09	10	12
10	0501050452	RIGHT FERTILIZER DISTRIBUTOR		01	00	00	00
10A	0501017393	3/4" X 18.1"SQUARE SHAFT		02	00	00	00
11	0501050458	RIGHT ABONO DISTRIBUTOR		00	01	00	00
11A	0511011253	3/4" X 18.4" LH SQUARE SHAFT		00	02	00	00
12	0501050454	RIGHT ABONO DISTRIBUTOR		00	00	01	00
12A	0501017394	3/4" X 19.4" SQUARE SHAFT		00	00	02	00
13	0501050460	RIGHT FERTILIZER DISTRIBUTOR		00	01	00	00
13A	0511011252	3/4" X 24.4"SQUARE SHAFT		00	01	00	00

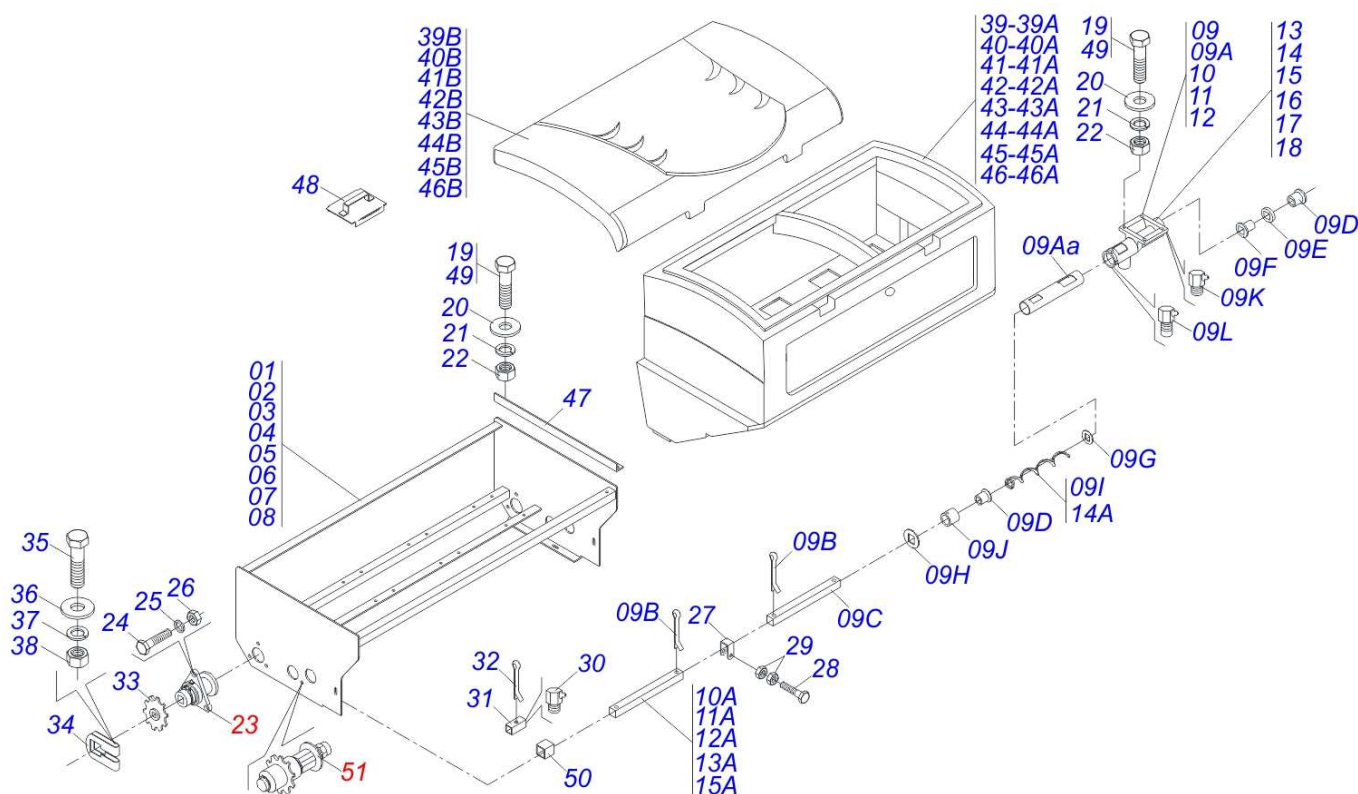


PST3/SUPREMA
FERTILIZER BOX

Item	Code	Description	See page	08	09	10	12
14	0501050456	RIGHT FERTILIZER DISTRIBUTOR		00	00	00	01
14A	0501017392	3/4" X 24.4"SQUARE SHAFT		00	00	00	02
15	0501050459	LH FERTILIZER METERING		00	01	00	00
15A	0511062153	3/4" X 13.6"SQUARE SHAFT		00	01	00	00
16	0501050273	LH FERTILIZER METERING		03	03	04	05
16A	0503031165	LEFT HELICAL CONDUCTOR		04	05	05	06
17	0501050453	LH FERTILIZER METERING		01	00	00	00
18	0501051714	LH FERTILIZER METERING		00	01	00	00
19	0501050455	LH FERTILIZER METERING		00	00	01	00
20	0501050457	LH FERTILIZER METERING		00	00	00	01
21	0501011643	3/8 X 1"BOLT		32	32	40	48
22	0503010025	3/8 SPRING WASHER		36	36	44	52
23	0503010026	3/8" NUT		40	40	48	48
24	0501050274	BOX BEARING ASSY		02	02	02	02
25	0501010161	1/2" X 1.1/4" BOLT		06	06	06	06
26	0503010019	1/2" SPRING WASHER		06	06	06	06
27	0503010060	1/2" NUT		06	06	06	06
28	0501017476	DRAGING		06	06	08	10
29	0503010397	5/16" X 1-3/4" BOLT		06	06	08	10
30	0503010337	5/16" NUT		24	24	28	32
31	0511016646	1" X 3/4" SQUARE SHAFT GUIDE		00	01	00	00
32	0521013058	3/4" SQUARE SHAFT 2" GUIDE		00	00	00	01
33	0511061759	22Z P12,70 FQ 3/4" GEAR		02	02	02	02
34	0521010691	AXLE FASTENER		02	02	02	02
35	0503010373	1/4" X 2" BOLT		02	02	02	02
36	0503010143	SPRING WASHER		02	02	02	02
37	0503010144	1/4" NUT		02	02	02	02
38	0503010834	1/2 X 1 BOLT		02	02	02	02
39	0501069259	FERTILIZER BOX COVER		02	00	00	00
40	0501069260	FERTILIZER BOX COVER		00	02	00	00
41	0501069261	FERTILIZER BOX COVER		00	00	02	00
42	0501069262	FERTILIZER BOX COVER		00	00	00	02
43	0503010421	5/16" X 1-1/2" BOLT		04	04	04	04
44	0521011116	COVER PIVOT BUSHING		04	04	04	04
45	0501010694	FLAT WASHER		18	18	18	18
46	0503010179	SPRING WASHER		04	04	04	04
47	0521011117	PIVOT SPRING AXLE		04	04	04	04
48	0501010984	FLAT WASHER		08	04	04	04
49	0521011120	COVER PIVOT SHAFT		04	04	04	04
50	0503010140	1/8" X 3/4" COTTERPIN		08	08	08	08
51	0503031329	COMPRES SPRING		04	04	04	04
52	0503011907	PMC 594-S NYLON LUG		02	02	02	02
53	0503011957	PMC 596-S NYLON LUG		02	02	02	02
54	0503010363	5/16" X 1" BOLT		08	08	08	08
55	0503031363	13 X 12 PLUG		08	08	08	08
56	0503031050	CURVED CONDUCTOR		04	04	04	04
57	0503010246	CLAMP		04	04	04	04
58	0503031900	FERTILIZER BEAN LIP		04	05	06	06
59	0503010751	C3/8" X 1.1/4" HEX BOLT G.5		04	04	04	04



Item	Code	Description	See page	QT
01	0511062810	2.5" X 15"CYLINDER CASE		01
02	0501065662	HYDRAULIC CYLINDER TURNBUCKLE		01
03	0502010471	MOBILE COVER		01
04	0502010780	RING SUPPORT		01
05	0503010163	D-1500 SCRAPER RING		01
06	0503010989	1870-1500-375-B GASKET		01
07	0503010970	W1-1650-500 PK O'RING G.E		01
08	0503011058	8-330 BACK-UP RING		01
09	0503010161	2-330 N 3006 9B O'RING		01
10	0503010285	2-222 N 3006-9B O'RING		01
11	0502010783	1.5" X 2.5" PISTON		01
12	0503010160	2500 2000 GASKET		02
13	0503010973	W2-2500-500 PK O'RING G.E		01
14	0503010063	1" SELF-ALIGNING NUT		01
15	0503030384	CON N-001 PLUG		02
16	0501032666	HYDRAULIC CYLINDER REPAIR KIT		01

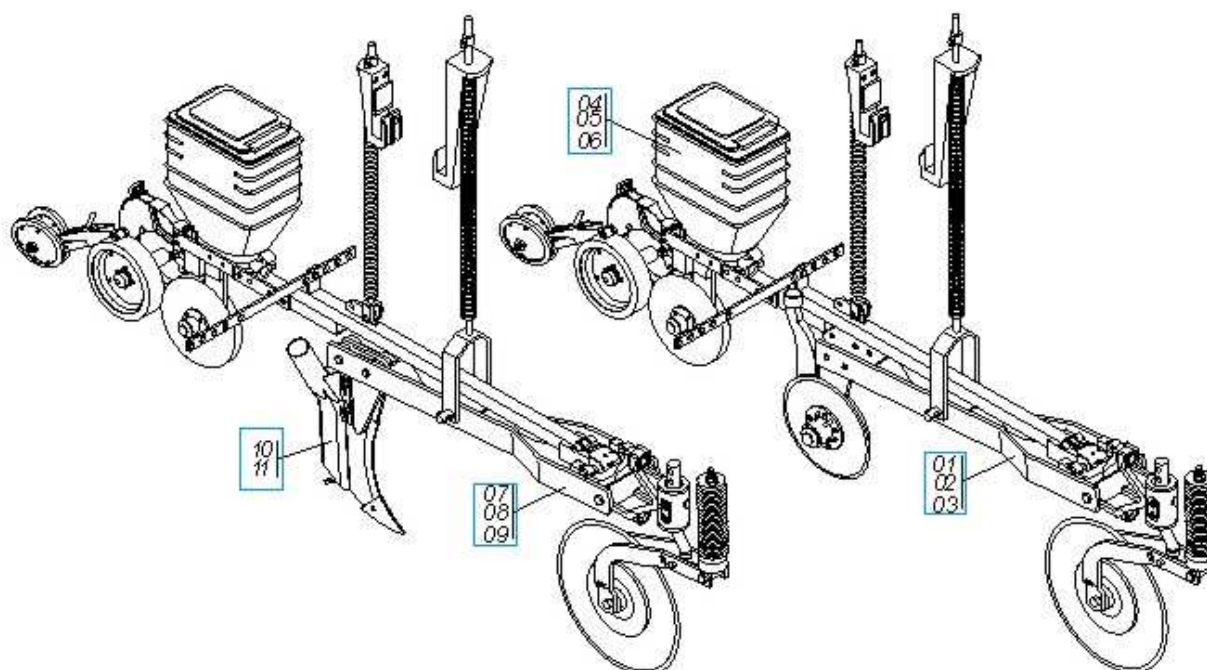


Item	Code	Description	See page	08	09	10	12
01	0511060965	FERTILIZER BEAN RIGHT SUPPORT		01	00	00	00
02	0511061067	FERTILIZER BEAN RIGHT SUPPORT		00	01	00	00
03	0511061019	FERTILIZER BEAN RIGHT SUPPORT		00	00	01	00
04	0511061062	FERTILIZER BEAN RIGHT SUPPORT		00	00	00	01
05	0511060966	FERTILIZER BEAN LEFT SUPPORT		01	00	00	00
06	0511061068	FERTILIZER BEAN LEFT SUPPORT		00	01	00	00
07	0511061020	FERTILIZER BEAN LEFT SUPPORT		00	00	01	00
08	0511061063	FERTILIZER BEAN LEFT SUPPORT		00	00	00	01
09	0501052423	LH FERTILIZER METERING		03	03	04	04
09A	0501110082	FERTILIZER DISTRIBUTOR BODY		08	09	10	12
09Aa	0511013789	FERTILIZER TUBE		08	09	10	12
09B	0503013155	1/4" X 1.1/4" COTTERPIN		16	18	20	24
09C	0501017391	3/4" X 14.3" SQUARE SHAFT		06	05	08	08
09D	0503030275	AGRICULTURAL BEARING		16	18	20	24
09E	0501013774	GREASE SEAL		08	09	10	12
09F	0503030303	SUPPORT WASHER		08	09	10	12
09G	0501010637	FLAT WASHER		08	09	10	12
09H	0511017137	FLAT WASHER		08	09	10	12
09I	0503031165	LEFT HELICAL CONDUCTOR		04	05	05	06
09J	0521010309	SLEEVE INTER		08	09	10	12
09K	0503012826	CREASE FITTING		08	09	10	12
09L	0503011962	GREASE FITTING		08	09	10	12
10	0501052424	LH FERTILIZER METERING		01	00	00	00
10A	0501017393	3/4" X 18.1" SQUARE SHAFT		02	00	00	00
11	0501052467	LH FERTILIZER METERING		00	01	00	00
11A	0511011253	3/4" X 18.4" LH SQUARE SHAFT		00	02	00	00
12	0501052449	LH FERTILIZER METERING		00	00	01	02
12A	0501017394	3/4" X 19.4" SQUARE SHAFT		00	00	02	04
13	0501053701	LH FERTILIZER METERING		00	01	00	00
13A	0511062153	3/4" X 13.6" SQUARE SHAFT		00	01	00	00
14	0501052400	RIGHT FERTILIZER METERING		03	02	04	04

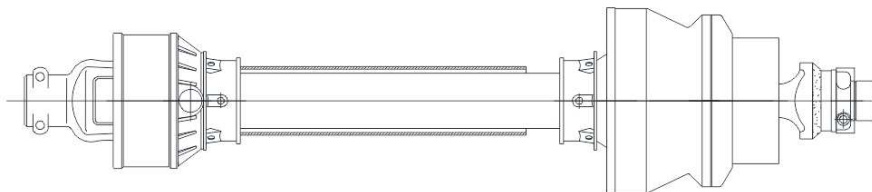


PST3/SUPREMA
PLASTIC FERTILIZER BOX

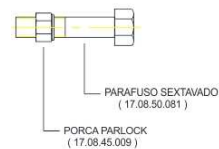
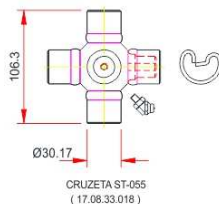
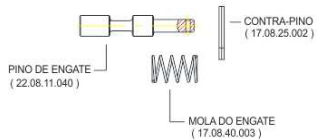
Item	Code	Description	See page	08	09	10	12
14A	0503031164	RIGHT HELICAL CONDUTOR		04	04	05	06
15	0501052465	RIGHT FERTILIZER DISTRIBUTOR		00	01	00	00
15A	0511011252	3/4" X 24.4"SQUARE SHAFT		00	01	00	00
16	0501052421	RIGHT FERTILIZER METERING		01	00	00	00
17	0501052461	RIGHT FERTILIZER METERING		00	01	00	00
18	0501052448	RIGHT FERTILIZER METERING		00	00	01	02
19	0503010751	C3/8" X 1.1/4" HEX BOLT G.5		36	44	48	56
20	0501011517	FLAT WASHER		56	60	64	72
21	0503010025	3/8 SPRING WASHER		40	44	48	56
22	0503010026	3/8" NUT		40	44	48	56
23	0501050274	BOX BEARING ASSY		02	02	02	02
24	0501010161	1/2" X 1.1/4" BOLT		06	06	06	06
25	0503010019	1/2" SPRING WASHER		06	06	06	06
26	0503010060	1/2" NUT		06	06	06	06
27	0501017476	DRAGING		06	07	08	10
28	0503010397	5/16" X 1-3/4" BOLT		06	07	08	10
29	0503010337	5/16" NUT		12	14	16	20
30	0503010004	1890 GREASE FITTING		02	02	02	03
31	0521013058	3/4" SQUARE SHAFT 2" GUIDE		00	00	03	00
32	0503010571	1/4" X 1.1/2 COTTERPIN		00	00	03	00
33	0511061759	22Z P12,70 FQ 3/4" GEAR		02	02	02	02
34	0521010691	AXLE FASTENER		02	02	02	02
35	0503010373	1/4" X 2" BOLT		02	02	02	02
36	0501010694	FLAT WASHER		02	02	02	02
37	0503010143	SPRING WASHER		02	02	02	02
38	0503010144	1/4" NUT		02	02	02	02
39	0503060636	COVER BOX RIGHT FERTILIZER		01	00	00	00
39A	0503031948	SILO RIGHT FERTILIZER		01	00	00	00
39B	0503031950	TUBE SILO FERTILIZER		01	00	00	00
40	0503060637	COVER BOX LEFT FERTILIZER		01	00	00	00
40A	0503031949	SILO LEFT FERTILIZER		01	00	00	00
40B	0503031950	TUBE SILO FERTILIZER		01	00	00	00
41	0503060638	COVER BOX RIGHT FERTILIZER		00	02	00	00
41A	0503031951			00	02	00	00
41B	0503031953			00	02	00	00
42	0503060639	COVER BOX LEFT FERTILIZER		00	02	00	00
42A	0503031952			00	02	00	00
42B	0503031953			00	02	00	00
43	0503060640	COVER BOX RIGHT FERTILIZER		00	00	01	00
43A	0503031954	SILO RIGHT FERTILIZER		00	00	01	00
43B	0503031956	TUBE SILO FERTILIZER		00	00	01	00
44	0503060641	COVER BOX LEFT FERTILIZER		00	00	01	00
44A	0503031955	SILO LEFT FERTILIZER		00	00	01	00
44B	0503031956	TUBE SILO FERTILIZER		00	00	01	00
45	0503060642	COVER BOX RIGHT FERTILIZER		00	00	00	01
45A	0503031957			00	00	00	01
45B	0503031959			00	00	00	01
46	0503060643	COVER BOX LEFT FERTILIZER		00	00	00	01
46A	0503031958			00	00	00	01
46B	0503031959			00	00	00	01
47	0521015267	L 1.1/2" X 1/4" X 26.6" WITH HOLE		04	04	04	04
48	0503031900	FERTILIZER BEAN LIP		04	04	04	04
49	0503010849	3/8" X 1-1/2" BOLT		04	04	04	04
50	0511016646	1" X 3/4" SQUARE SHAFT GUIDE		00	01	00	00
51	0501052810	TRANSMISSION CHAIN TENSIONER ASSY		02	02	02	02



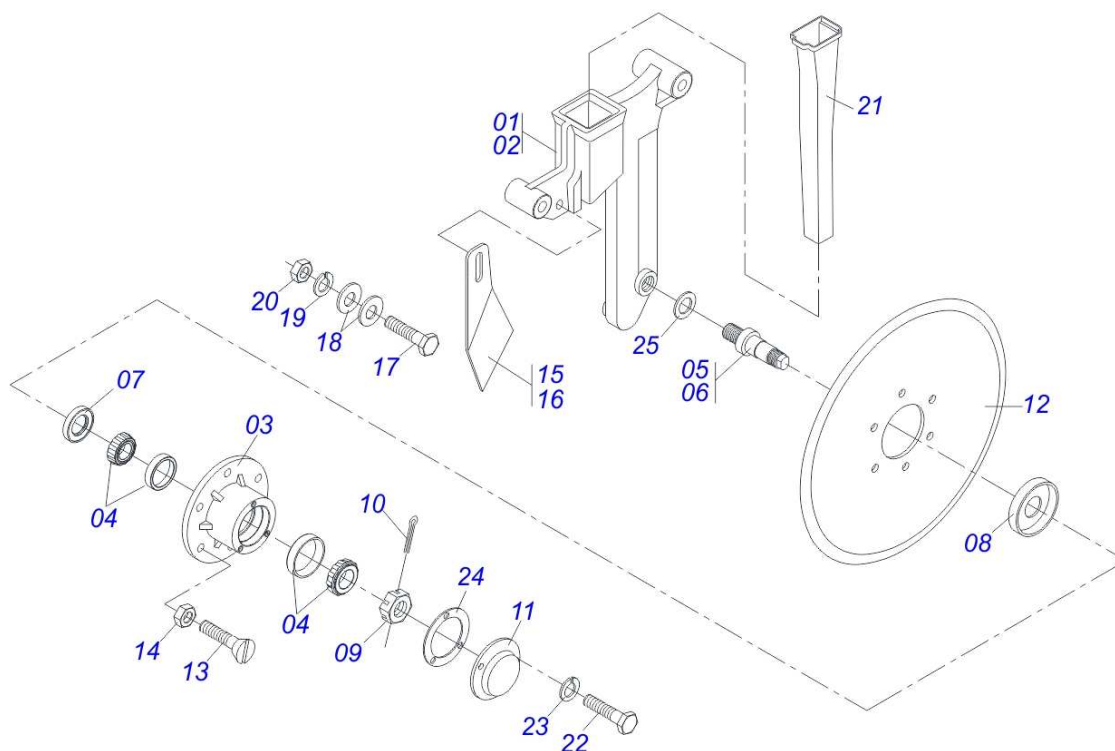
Item	Code	Description	See page	QT
00A	0511042457	RH SHORT FERTILIZER/ SEEP ROW ASSY		01
00B	0511042458	LH SHORT FERTILIZER/ SEEP ROW ASSY		01
00C	0511042459	LH LONG FERTILIZER/ SEEP ROW ASSY		01
01	0501049135	RH SHORT FERTILIZER ROW		01
02	0501048763	LH SHORT FERTILIZER ROW		01
03	0501048764	RH LONG FERTILIZER ROW ASSY		01
04	0511040056	RH SHORT SEEP ROW ASSY		01
05	0511040057	LH SHORT SEEP ROW ASSY		01
06	0511040058	LONG SEEP ROW ASSY		01
07	0501049136	SPINDLE RIGHT SHORT FERT. ROW ASSY		01
08	0501049154	SPINDLE LEFT SHORT FERT. ROW ASSY		01
09	0501049153	SPINDLE LONG FERT. ROW ASSY		01
10	0501052767	SCARIFIER SPINDLE		01
11	0501052768	SCARIFIER SPINDLE		01



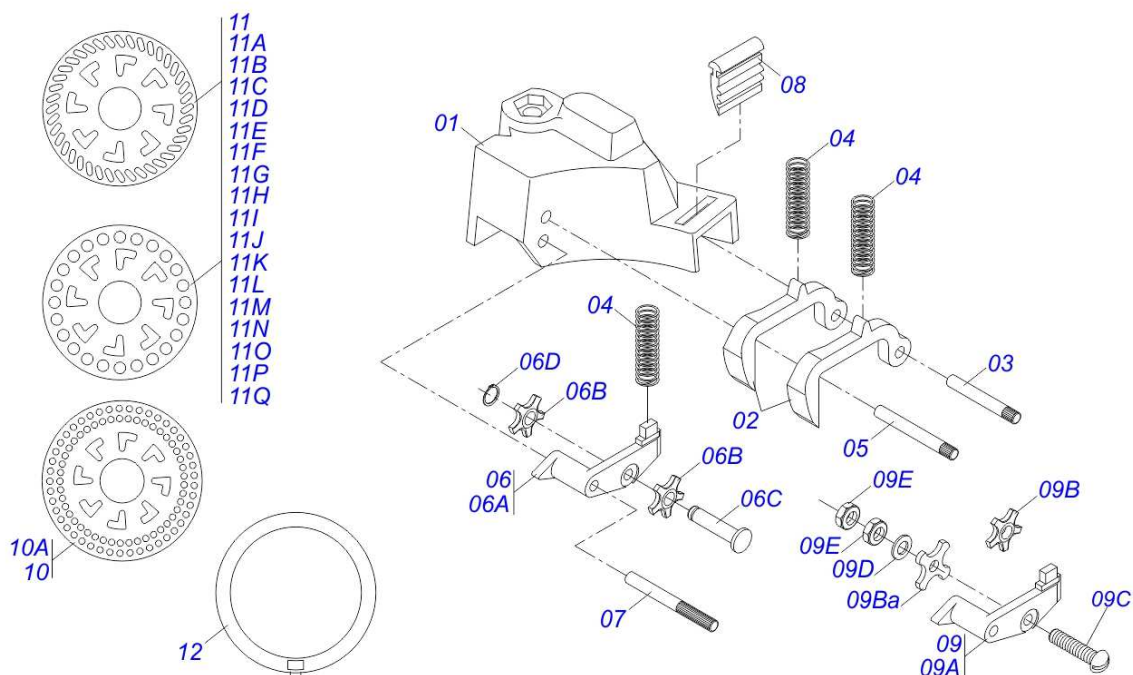
CARDAN (0501047952)



Item	Code	Description	See page	QT
1	0511041364(STU)		12	1



Item	Code	Description	See page	QT
00	0501052978	RIGHT 15" X 15" DOUBLE DISC		01
00.	0501052979	LEFT 15" X 15" DOUBLE DISC		01
01	0502011184	15" X 15" DOUBLE DISC SUPPORT		01
02	0502011183	15"X15" LW SEED UNAL DOUB-DISC SUPP		01
03	0502011930	DOUBLE DISC COULTER BOX		02
04	0503010598	30204 BALL BEARING		04
05	0521019154	RIGHT DOUB DISC HUB		01
06	0521019148	LEFT DOUBLE DISC HUB		01
07	0503011112	SEAL 02376-BRG		02
08	0511011927	DUST CLOAK		02
09	0503030282	3/4" CASTLE NUT		02
10	0503010257	1/8" X 1" COTTERPIN		02
11	0521019178	COVER DEPTH		02
12	0603022042	13" X 0.12" PLAIN COULTER BLADE		02
13	0503010546	5/16" X 7/8" BOLT		12
14	0503010337	5/16" NUT		12
15	0501017541	RH DOUBLE DISC SCRAPER		01
16	0501017542	LH DOUBLE DISC SCRAPER		01
17	0503010751	C3/8" X 1.1/4" HEX BOLT G.5		01
18	0501010984	FLAT WASHER		02
19	0503010025	3/8 SPRING WASHER		01
20	0503010026	3/8" NUT		01
21	0503030482	SEED SOCKET		01
22	0503013758	1/4" X 1-1/2" BOLT		06
23	0503010143	SPRING WASHER		06
24	0503030757	2.9" X 2" X 0.02" JOINT		02
25	0511015098	FLAT WASHER		02



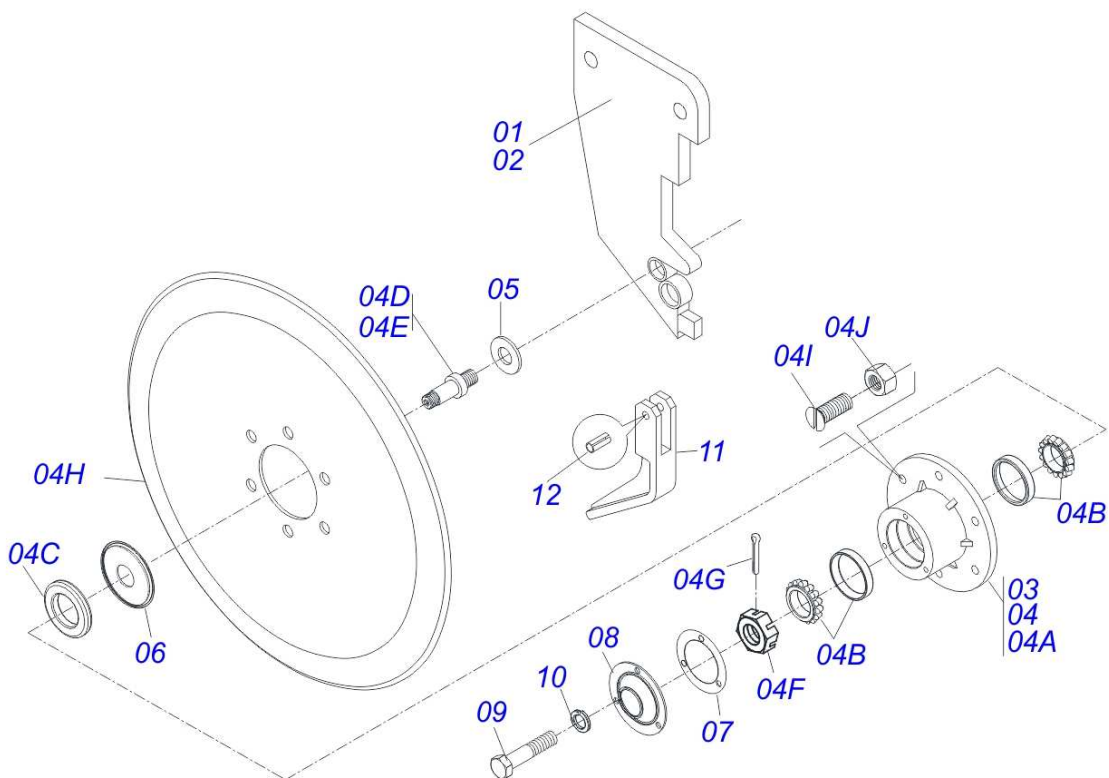
Item	Code	Description	See page	QT
00	0501051094	SEED DISTRIB ASSY WITH DOUB PULLEY	01	
00A	0501050077	SEED DISTRIB ASSY W/ SIMPLE PULLEY	01	
01	0503030381	SEED DISTRIBUTOR BOX	01	
02	0502010447	TRIGGER	02	
03	0501013467	KEY AXLE	01	
04	0503030378	0.4" X 1.1" X 0.03" SPRING	03	
05	0501013466	KEY LIMITER AXLE	01	
06	0501051119	DOUBLE PULLEY ROCKER'S	01	
06A	0503031129	DOUBLE PULLEY ROCKER ARM	01	
06B	0503031128	5Z PLASTIC DOUB PULLEY FOR SOYBEAN	02	
06C	0503031130	PIN OF THE PULLEY	01	
06D	0503011853	503050 CLAMPING RING (FOR HOLE)	01	
07	0501013468	ROCKER ARM AXLE, OF THE PULLEY	01	
08	0503030377	SCRAPER	01	
09	0501050120	LARGER WALKING BEAM ASSY	01	
09A	0503030379	LARGER ROCKER ARM	01	
09B	0502060001	PLASTIC PULLEY FOR MAIZE	01	
09Ba	0503030558	PLASTIC PULLEY FOR MAIZE	01	
09C	0503010803	3/16" X 3/4" BOLT	01	
09D	0503010669	FLAT WASHER	01	
09E	0503010667	3/16" NUT	02	
10	0502020584	BEAN SEED DISC 64 HOLE OBLONG	01	
10A	0502020585	COTTON SEED DISC 64 HOLE OBLONG	01	
11	0502020351	CORN SEED DISC 24 HOLE	01	
11A	0502020366	CORN SEED DISC 24 HOLE	01	
11B	0502020331	BEAN SEED DISC 26 HOLE OBLONG	01	
11C	0502020408	BEAN SEED DISC 38 HOLE OBLONG	01	
11D	0502020353	SORGO BEET SEED DISC 40 HOLE	01	
11E	0502020346	RICE SEED DISC 40 OBLONG	01	
11F	0502020560	SUNFLOWER SEED DISC 28 OBLONG	01	
11G	0502020554	SUNFLOWER SEED DISC 28 OBLONG	01	



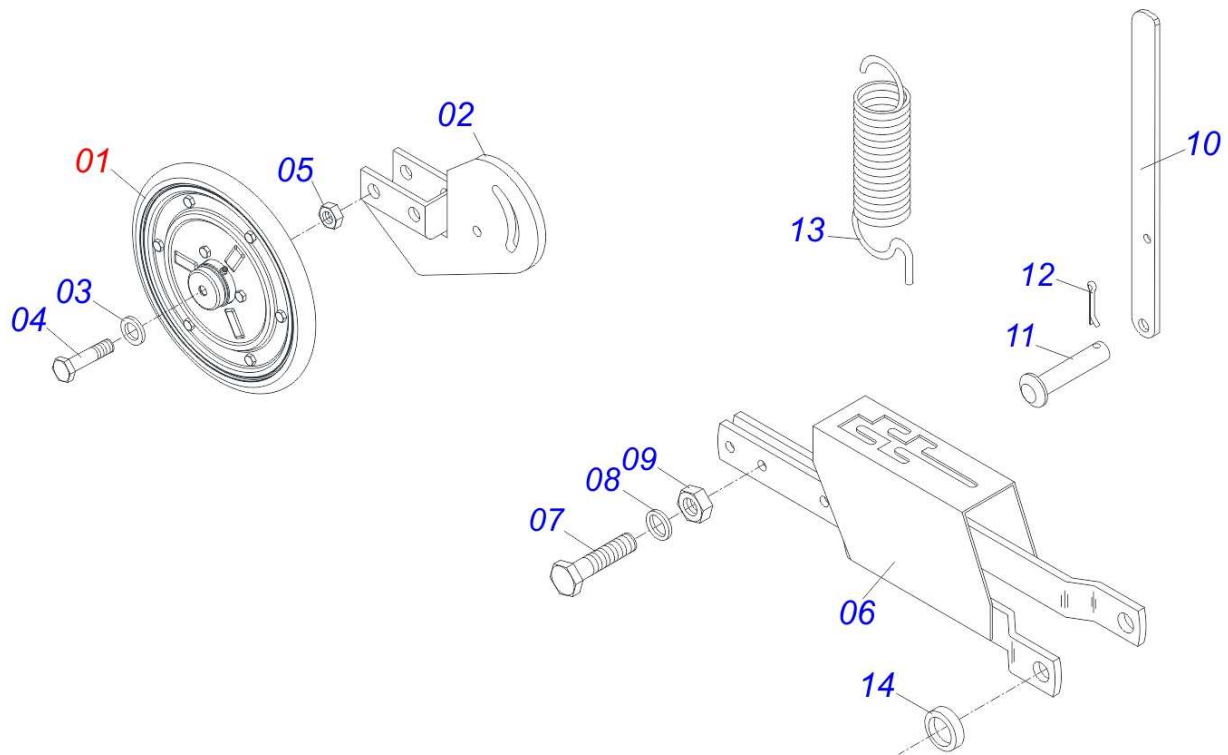
PST3/SUPREMA
SEED DISTRIBUTOR ASSY

Page 13
0909090134

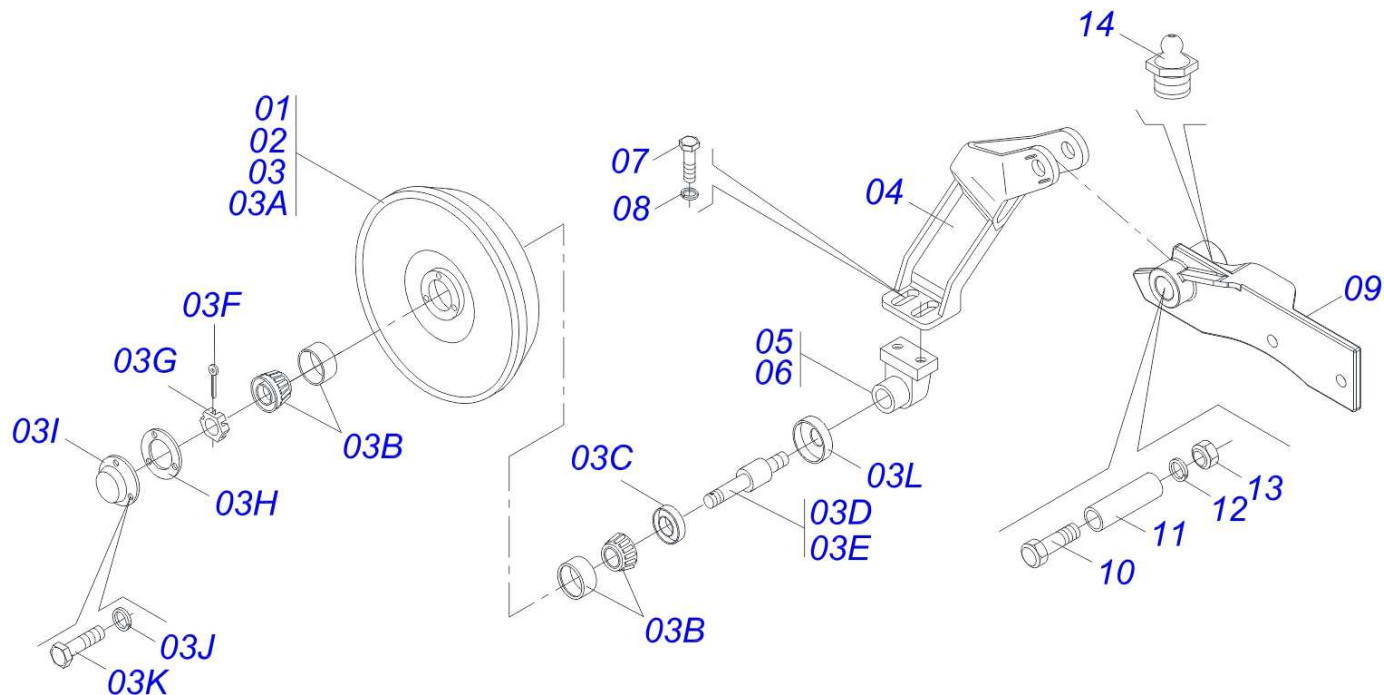
Item	Code	Description	See page	QT
11H	0502020340	DISC WITHOUT HOLE		01
11I	0502020367	DISC WITHOUT HOLE		01
11J	0502020328	SOYBEAN SEED DISC 34 OBLONG		01
11K	0503031678	DISC WITHOUT HOLE		01
11L	0502020327	DISC WITHOUT HOLE		01
11M	0503031677	DISC WITHOUT HOLE		01
11N	0502020583	PEANUT SEED DISC 20		01
11O	0502020419	COTTON SEED DELINTED 40		01
11P	0502020407	BEAN SEED DISC		01
11Q	0502020333	BEAN SEED DISC		01
12	0511017897	DISC SEAT		01



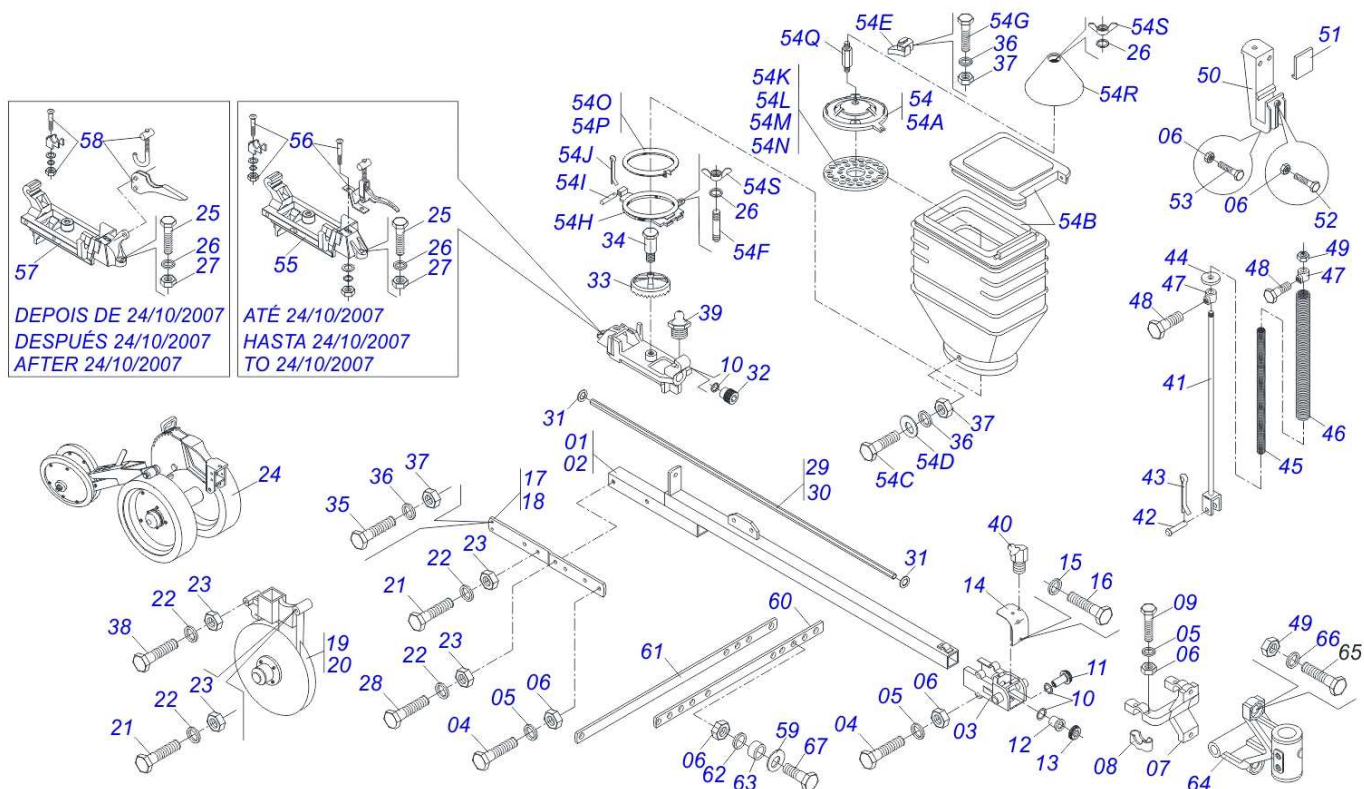
Item	Code	Description	See page	QT
00	0501052988	RIGHT 15" X 15" DOUBLE DISC		01
00.	0501052989	LH 15" X 15" DOUBLE DISC		01
01	0501068318	15"X15" RW SEED UNAL DOUB-DISC SUPP		01
02	0501068319	15"X15" LW SEED UNAL DOUB-DISC SUPP		01
03	0501054167	BOX DDD ASSY DPL 15 RIGHT		01
04	0501054168	BOX DDD ASSY DPL 15 LEFT		01
04A	0502011930	DOUBLE DISC COULTER BOX		01
04B	0503010598	30204 BALL BEARING		02
04C	0503011112	SEAL 02376-BRG		01
04D	0521019154	RIGHT DOUB DISC HUB		01
04E	0521019148	LEFT DOUBLE DISC HUB		01
04F	0503030282	3/4" CASTLE NUT		01
04G	0503010257	1/8" X 1" COTTERPIN		01
04H	0603022042	13" X 0.12" PLAIN COULTER BLADE		01
04I	0503010546	5/16" X 7/8" BOLT		06
04J	0503010337	5/16" NUT		06
05	0511015098	FLAT WASHER		02
06	0511011927	DUST CLOAK		02
07	0503030757	2.9" X 2" X 0.02" JOINT		02
08	0521019178	COVER DEPTH		02
09	0503013758	1/4" X 1-1/2" BOLT		06
10	0503010143	SPRING WASHER		06
11	0501067170	UNALIGNED DISC SCRAPER		01
12	0503011402	0.2" X 0.8" SPRING PIN		01



Item	Code	Description	See page	QT
01	0501052908	COMPACTOR WHEEL WITH BEARING		02
02	0502011757	PRESS REGULATOR		01
03	0521014508	FLAT WASHER		10
04	0503010706	1/2" X 4.1/2" BOLT		02
05	0503011336	1/2" HEX SELF ADJUSTING NUT		02
06	0511060673	PRESS WHEELS REGULATOR		01
07	0503010849	3/8" X 1-1/2" BOLT		02
08	0503010025	3/8 SPRING WASHER		02
09	0503010026	3/8" NUT		02
10	0541016906	PRESS WHEELS REGULATOR BODY		01
11	0521010539	0.3" X 1.2" COUPLING SHAFT		01
12	0503010257	1/8" X 1" COTTERPIN		01
13	0503030805	1.6" X 6" X 0.2" TRACTION SPRING		01
14	0521010480	1" X 1.2" X 0.4" ARTICULAT SLEEVE		02



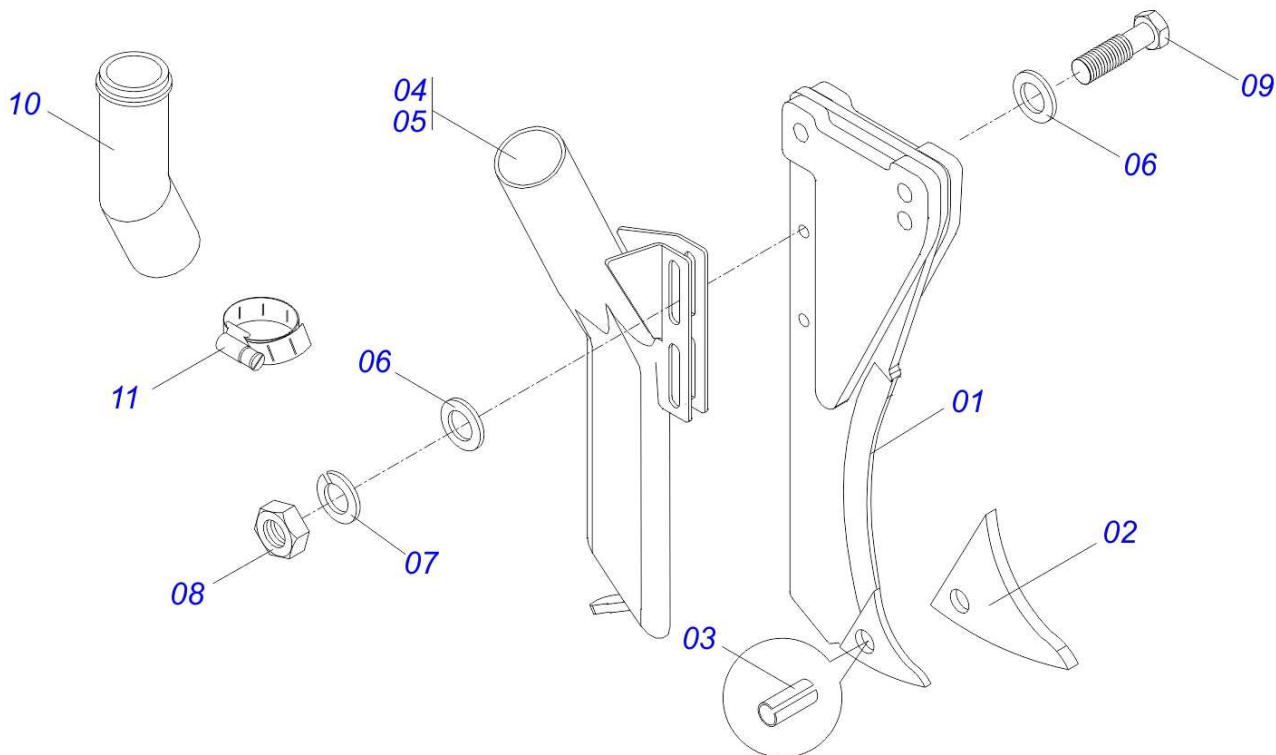
Item	Code	Description	See page	QT
00	0501052735	IRON RIGHT PRESS WHEEL FERT UP		01
00.	0501052736	IRON LEFT PRESS WHEEL FERT UP		01
01	0501056289	IRON LEFT PRESS WHEEL FERT UP		01
02	0501056288	WHEEL COVER ROD FERRO		01
03	0501053186	RIGHT IRON PRESS WHEEL ASSY		01
03A	0502011970	IRON PRESS WHEEL		01
03B	0503010598	30204 BALL BEARING		02
03C	0503011112	SEAL 02376-BRG		01
03D	0521019148	LEFT DOUBLE DISC HUB		01
03E	0521019154	RIGHT DOUB DISC HUB		01
03F	0503010257	1/8" X 1" COTTERPIN		01
03G	0503030282	3/4" CASTLE NUT		01
03H	0503030757	2.9" X 2" X 0.02" JOINT		01
03I	0521019178	COVER DEPTH		01
03J	0503011441	SPRING WASHER		03
03K	0503013758	1/4" X 1-1/2" BOLT		03
03L	0511016896	DUST CLOAK		01
04	0502012348	RIGHT WHEEL ARM		01
05	0502011156	LEFT FIXER WHEEL		01
06	0502011155	RIGHT FIXER WHEEL		01
07	0503010920	1/2" X 1.1/2" BOLT		02
08	0503011440	SPRING WASHER		02
09	0502012347	LEFT WHEEL ARM SUPPORT		02
10	0501010163	5/8" X 4-1/2" BOLT		01
11	0531016207	0.6" X 1" X 2.8" SLEEVE		01
12	0503010027	SPRING WASHER		01
13	0503010013	5/8" NUT		01
14	0503010003	1845 GREASE FITTING		01



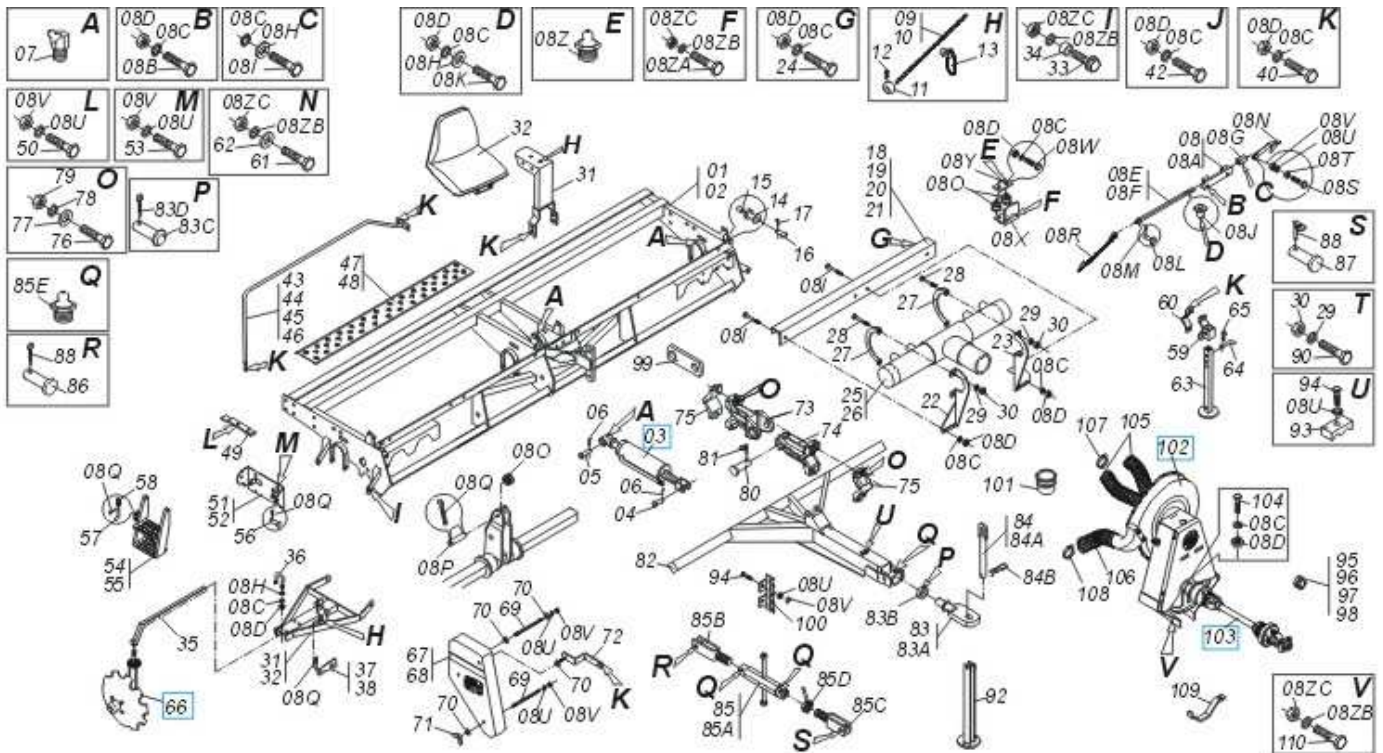
Item	Code	Description	See page	QT
00	0511040056	RH SHORT SEEP ROW ASSY		01
00.	0511040057	LH SHORT SEEP ROW ASSY		01
00..	0511040058	LONG SEEP ROW ASSY		01
01	0511061761	SHORT SEEP ROW ARM		01
02	0511061762	LONG SEEP ROW ARM		01
03	0502011830	ARTICULACCION SUPPORT		01
04	0503010752	1/2" X 3.1/2" BOLT		04
05	0503011440	SPRING WASHER		08
06	0503010060	1/2" NUT		11
07	0502011561	BEARING SEMI		01
08	0502010426	UPPER BEARING SEMI		02
09	0503010479	1/2" X 3" BOLT		04
10	0501013354	FLAT WASHER		03
11	0502011400	18Z CONICAL GEAR		01
12	0502011296	1/2 HEX AXLE BEARING SLEEVE		01
13	0502011505	18Z CONICAL GEAR		01
14	0521018079	SEEP ROW DRAWBAR COVER		01
15	0503011441	SPRING WASHER		02
16	0503010298	1/4" X 1/2" BOLT		02
17	0501013413	RIGHT SIDE BASE		01
18	0501013414	LEFT SIDE BASE		01
19	0501052978	RIGHT 15" X 15" DOUBLE DISC		01
20	0501052979	LEFT 15" X 15" DOUBLE DISC		01
21	0503010723	7/16" X 4" BOLT		02
22	0503011446	SPRING WASHER		04
23	0503010244	7/16" NUT		05
24	0501052945	DEPTH CONTROL WHEELS ASSY	27	01
25	0503011195	7/16" X 1.3/4" BOLT		01
26	0503010180	7/16" SPRING WASHER		01
27	0503013233	7/16 NUT		01
28	0503010851	7/16" X 3.1/2" BOLT		01



Item	Code	Description	See page	QT
29	0521018077	1/2" X 58.6" HEX AXLE		01
30	0521018078	1/2" X 66.5" HEX AXLE		01
31	0501013352	FLAT WASHER		02
32	0502011411	10Z CONICAL GEAR		01
33	0502011418	40Z CONICAL GEAR		01
34	0511018700	AXLE		01
35	0503010848	5/16" X 3.1/2" BOLT		02
36	0503011444	SPRING WASHER		07
37	0503010337	5/16" NUT		08
38	0503010850	7/16" X 3" BOLT		01
39	0503010002	1800 GREASE FITTING		02
40	0503011099	GREASE FITTING		02
41	0511060376	SEEP SPRING GUIDE		01
42	0521010542	COUPLING SHAFT		01
43	0503010257	1/8" X 1" COTTERPIN		02
44	0501013753	FLAT WASHER		01
45	0503031339	1" X 19" X 0.1" COMPRESSION SPRING		01
46	0503031340	1.7"X 19" X 0.3" COMPRESSION SPRING		01
47	0502040725	SPRING BUSHING LOCK GUIDE		02
48	0503010834	1/2 X 1 BOLT		02
49	0503010013	5/8" NUT		03
50	0502010890	SPRING ROD SUPPORT		01
51	0502010891	SPRING CHOCK SUPPORT VARON		01
52	0503010395	1/2" X 1-1/4" BOLT		01
53	0503010920	1/2" X 1.1/2" BOLT		01
54	0501052234	SEED SISTEM ASSY		01
54A	0502020324	SEED BOX SUPPORT		01
54B	0503031508	COVER GREEN BEAM SEED YELLOW		01
54C	0503010178	5/16" X 7/8" BOLT		04
54D	0501010694	FLAT WASHER		04
54E	0501051094	SEED DISTRIB ASSY WITH DOUB PULLEY		01
54F	0503030083	3/8" X 3/8" X 1.6" STUD		01
54G	0503010675	5/16" X 2.1/4" BOLT		01
54H	0502010408	SEED DISC LOWER TRAIL		01
54I	0521010536	0.3" X 3.8" COUPLING SHAFT		01
54J	0503010140	1/8" X 3/4" COTTERPIN		01
54K	0502020564	SOYBEAN DISC WITH 100 HOLES		01
54L	0502020565	SOYBEAN DISC WITH 90 HOLES		01
54M	0502020518	CORN DISC		01
54N	0502020519	CORN DISC		01
54O	0501013355	DISC SEAT		01
54P	0501013356	DISC SEAT		01
54Q	0511013590	HEX STUD 3/8" X 3/8"		01
54R	0511013494	DEFLECTOR		01
54S	0503010209	3/8" UNC BUTTERFLY NUT		02
55	0502011212	SEED BOX FIXING BASE		01
56	0501058015	FAST LOCK ASSY		01
57	0502012314	SEED BOX FIXING BASE		01
58	0501058009	FAST LOCK ASSY		01
59	0511017302	FLAT WASHER		01
60	0501013714	STABILIZER BAR		01
61	0501018652	CORN STABILIZER BAR		01
62	0503010019	1/2" SPRING WASHER		01
63	0521010505	13,50 X 19,00 X 21,50 SLEEVE		01
64	0502011567	FERTILIZER ROW SUPPORT		01
65	0503010762	5/8" X 3-12" BOLT		02
66	0503010027	SPRING WASHER		02
67	0503010740	1/2" X 2" BOLT		01



Item	Code	Description	See page	QT
00	0501052767	SCARIFIER SPINDLE		01
00.	0501052768	SCARIFIER SPINDLE		01
01	0501110231	SCARIFIER HEAD WITH SPIKE 0061		01
02	0502070061	POINT SUBSOILER		01
03	0503011373	0.4" X 1.1" SPRING PIN		01
04	0511061769	FERTILIZER CONDUCTOR RIGHT		01
05	0511061770	FERTILIZER CONDUCTOR LEFT		01
06	0501010984	FLAT WASHER		04
07	0503010025	3/8 SPRING WASHER		02
08	0503010026	3/8" NUT		02
09	0503010751	C3/8" X 1.1/4" HEX BOLT G.5		02
10	0503031050	CURVED CONDUCTOR		01
11	0503010246	CLAMP		01



Item	Code	Description	See page	08 09 10 12
001	0511065595	FRAME PST3 8 S-0604		01 00 00 00
002	0511065596	FRAME PST3 9 S-0604		00 01 00 00
003	0511062558	FRAME		00 00 01 00
004	0511064816	FRAME		00 00 00 01
005	0503010967	5/8" X 5.1/2" BOLT		02 02 02 02
006	0503010523	1/4" X 2" COTTERPIN		02 02 02 02
007	0503010003	1845 GREASE FITTING		05 05 05 05
008	0501043881	ROW MARKER PIVOT		01 01 01 01
008A	0501065640	ROW MARKER ROD GUIDE		02 02 02 02
008B	0503010238	1/2" X 1-3/4" BOLT		04 04 04 04
008C	0503010019	1/2" SPRING WASHER		33 33 33 33
008D	0503010060	1/2" NUT		34 34 34 34
008E	0501065644	ROW MARKER ARM/DISARMENT ROD		01 01 01 01
008F	0501064229	REGULATOR ARM/DISARMENT ROD		01 01 01 01
008G	0501062547	ROW MARKER BAR REGULATOR		01 01 01 01
008H	0511017302	FLAT WASHER		11 11 11 11
008I	0503010395	1/2" X 1-1/4" BOLT		03 03 03 03
008J	0521010454	0.83" X 1.25" X 0.79" SLEEVE		02 02 02 02
008K	0503010734	1/2" X 2-1/2" BOLT		02 02 02 02
008L	0521010539	0.3" X 1.2" COUPLING SHAFT		02 02 02 02
008M	0503010140	1/8" X 3/4" COTTERPIN		02 02 02 02
008N	0531010412	ROW MARKER ARM LOCK		02 02 02 02
008O	0502011231	CENTRAL PULLEY		03 03 03 03
008P	0511011309	AXLE PULLEY		02 02 02 02
008Q	0503010257	1/8" X 1" COTTERPIN		10 10 10 10
008R	0503030755	STEEL CABLE		01 01 01 01
008S	0501010096	3/8" X 2" BOLT		02 02 02 02
008T	0531010415	ROW MARKER ARM/DISARM GUIDE SLLVE		02 02 02 02
008U	0503010025	3/8 SPRING WASHER		21 21 21 21
008V	0503010026	3/8" NUT		20 20 20 20
008W	0511011308	BOLT		02 02 02 02



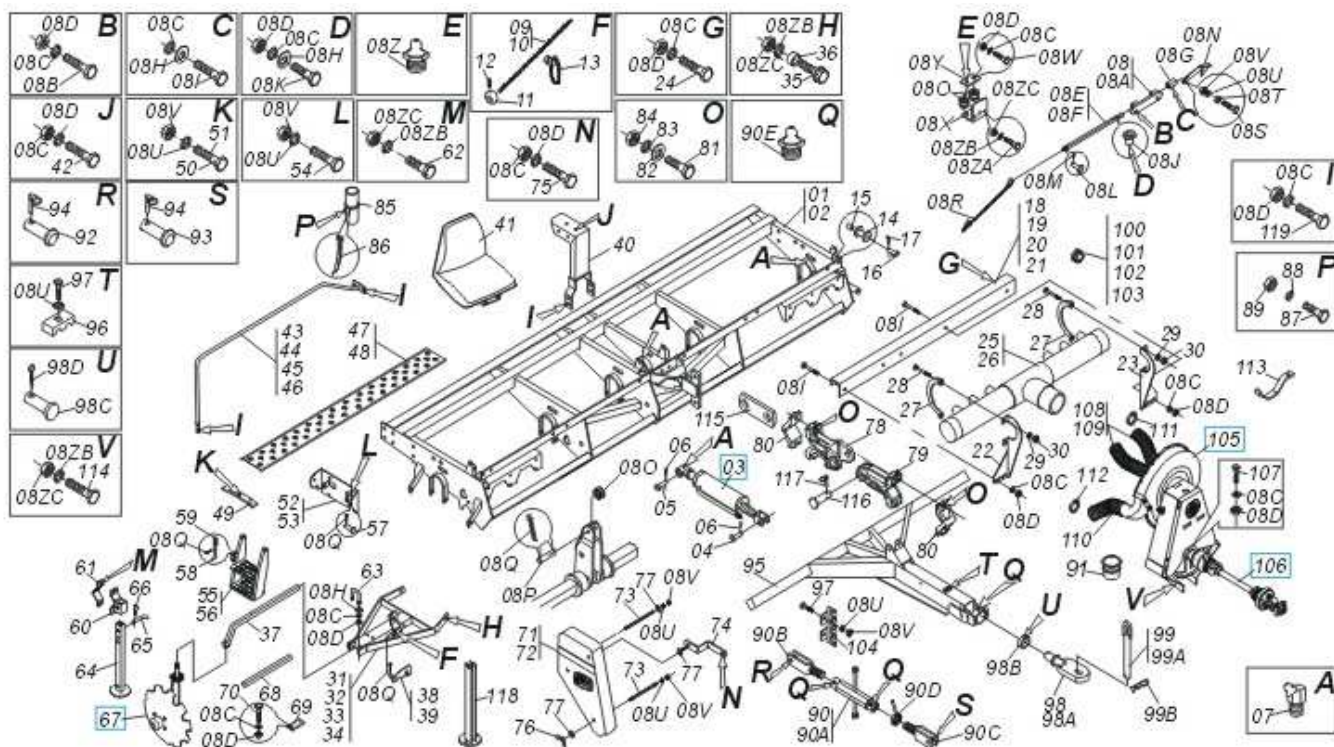
Item	Code	Description	See page	08	09	10	12
008X	0501065642	ROW MARKER SUPPORT		01	01	01	01
008Y	0521010693	PULLEY FIXER PLATE		01	01	01	01
008Z	0503010691	1/4" GREASE FITTING		02	02	02	02
008ZA	0503010232	5/8" X 1.3/4" BOLT		02	02	02	02
008ZB	0503010027	SPRING WASHER		12	12	12	12
008ZC	0503010013	5/8" NUT		12	12	12	12
009	0503011126	6,4 X 1000 CHAIN		02	00	00	00
009-1	0503011127	6,4 X 1260 CHAIN		00	02	00	00
010	0503011128	6,4 X 1400 CHAIN		00	00	02	00
010-1	0503011129	6,4 X 1900 CHAIN		00	00	00	02
011	0502011291	CHAIN SLEEVE		02	02	02	02
012	0503010683	0,2" X 1,2" SPRING PIN		02	02	02	02
013	0503011114	QUICK COUPLING PUMP		02	02	02	02
014	0502010421	SIDE PULLEY		02	02	02	02
015	0521010445	0.53" X 0.75" X 0.45" SLEEVE		02	02	02	02
016	0521010641	COUPLING SHAFT		02	02	02	02
017	0503010140	1/8" X 3/4" COTTERPIN		02	02	02	02
018	0511011243	PROTECTION COVER ARM/DISARMENT		01	00	00	00
018-1	0511011269	PROTECTION COVER ARM/DISARMENT		01	00	00	00
019	0511011270	PROTECTION COVER ARM/DISARMENT		00	01	00	00
019-1	0511011271	PROTECTION COVER ARM/DISARMENT		00	01	00	00
020	0511011272	PROTECTION COVER ARM/DISARMENT		00	00	01	00
020-1	0511011273	PROTECTION COVER ARM/DISARMENT		00	00	01	00
021	0511011274	PROTECTION COVER ARM/DISARMENT		00	00	00	01
021-1	0511011275	PROTECTION COVER ARM/DISARMENT		00	00	00	01
022	0521014441	HOSE HOLDER RIGHT SUPPORT		02	02	02	02
023	0521018535	HOSE HOLDER LEFT SUPPORT		02	02	02	02
024	0541014307	1/2 UNC X1.1/2 BOLT		02	02	02	02
025	0503031608	AIR DISTRIBUTOR		02	00	00	00
025-1	0503031609	AIR DISTRIBUTOR		00	02	00	00
026	0503031610	AIR DISTRIBUTOR		00	00	02	00
026-1	0503031611	AIR DISTRIBUTOR		00	00	00	02
027	0521014442	HOSE SUPPORT		04	04	04	04
028	0503010363	5/16" X 1" BOLT		08	08	08	08
029	0503010179	SPRING WASHER		09	09	09	09
030	0503010337	5/16" NUT		09	09	09	09
031	0511060553	ROW MARKER SUPPORTE RIGHT		01	01	01	01
032	0511060554	ROW MARKER SUPPORTE LEFT		01	01	01	01
033	0503010769	5/8" X 2-1/4" BOLT		04	04	04	04
034	0521010479	SLEEVE ARTICULATION		04	04	04	04
035	0511062755	740 TURNBUCKLE		02	02	02	02
036	0521014411	1/2" X 2.76" X 1.54" FASTENER		04	04	04	04
037	0501069297	ROW MARKER LOCK RIGHT		01	01	01	01
038	0501069624	ROW MARKER LOCK LEFT		01	01	01	01
039	0501049849	2.0" X 4.5" X 25.8" HYDRAULIC CYLINDER	3	01	01	01	01
040	0503010920	1/2" X 1.1/2" BOLT		12	12	12	12
041	0521012538	1.2" X 3.5" COUPLING SHAFT		01	01	01	01
042	0521012536	COUPLING SHAFT		01	01	01	01
043	0521061075	1550 HANDRAIL		01	00	00	00
044	0521061076	1800 HANDRAIL		00	01	00	00
045	0521061077	1950 HANDRAIL		00	00	01	00
046	0521061078	2470 HANDRAIL		00	00	00	01
047	0521011235	62.60" REAR PLATFORM		02	00	00	00
047-1	0521011237	72.83" REAR PLATFORM		00	02	00	00
048	0521011241	REAR PLATFORM 1990 PST2 10 S-0498		00	00	02	00
048-1	0521011244	REAR PLATFORM 2490 PST2 12 S-0498		00	00	00	02
049	0521011300	REAR PLATFORM FIXER		04	04	04	04
050	0501010080	3/8" BOLT		04	04	04	04
051	0551017438	LADDER RIGHT FIXER		01	01	01	01



Item	Code	Description	See page	08	09	10	12
052	0551017437	LADDER RIGHT FIXER		01	01	01	01
053	0503010237	3/8" X 1" BOLT		08	08	08	08
054	0501069281	RIGHT LADDER		01	01	01	01
055	0501069282	LEFT LADDER		01	01	01	01
056	0521010542	COUPLING SHAFT		04	04	04	04
057	0521011249	LADDER LOCK PIN		02	02	02	02
058	0503030190	0.5" X 1.6" X 0.05" SPRING		02	02	02	02
059	0502011530	SUPPORT		02	02	02	02
060	0502010175	HITCH CLAMP		02	02	02	02
061	0501011543	5/8" X 4" BOLT		04	04	04	04
062	0501012140	FLAT WASHER		04	04	04	04
063	0511061835	PLOUGH SUPPORT		02	02	02	02
064	0501011075	PIN		02	02	02	02
065	0503030012	HAIR PIN		02	02	02	02
066	0501050633	MARKER DISC ASSY LINE	4	02	02	02	02
067	0503031376	RH CHAIN PROTECTION CAP		01	01	01	01
068	0503031377	LEFT CHAIN PROTECTION CAP		01	01	01	01
069	0511011417	HEX STUD 3/8" X 3/8" X 5.79"		04	04	04	04
070	0501010984	FLAT WASHER		14	14	14	14
071	0503010209	3/8" UNC BUTTERFLY NUT		06	06	06	06
072	0501069631	COVER FIXER		02	02	02	02
073	0502012328	DRAWBAR SUPPORT FRONT FIXATION		02	02	02	02
074	0502012329	DRAWBAR FIXATION REAR SUPPORT		02	02	02	02
075	0502012330	SUPPORT FIXER PIVOT		04	04	04	04
076	0503011084	3/4" X 5" BOLT		08	08	08	08
077	0501010322	FLAT WASHER		08	08	08	08
078	0503010023	SPRING WASHER		08	08	08	08
079	0503010014	3/4" NUT		08	08	08	08
080	0531012336	1.4" X 5.35" COUPLING SHAFT		02	02	02	02
081	0503030119	LOCK PIN		02	02	02	02
082	0511064808	DRAWBAR		01	01	01	01
083	0501051984	TRACTOR HITCH ASSY		01	01	01	01
083A	0501069266	TRACTOR HITCH		01	01	01	01
083B	0521010681	BUSHING COUPLING BODY		01	01	01	01
083C	0521010639	COUPLING SHAFT		01	01	01	01
083D	0503010571	1/4" X 1.1/2 COTTERPIN		01	01	01	01
084	0501047881	COUPLING SHAFT		01	01	01	01
084A	0501068989	COUPLING SHAFT		01	01	01	01
084B	0503031035	HAIR PIN		01	01	01	01
085	0501054428	DRAWBAR TURNBUCKLE		01	01	01	01
085A	0501067353	508 PST3 TURNBUCKLE		01	01	01	01
085B	0511060558	RIGHT TURNBUCKLE		01	01	01	01
085C	0511060559	LEFT TURNBUCKLE		01	01	01	01
085D	0501061056	RH LOCKNUT WITH HANDLER		02	02	02	02
085E	0503010002	1800 GREASE FITTING		03	03	03	03
086	0521010572	0.9" X 2.9" COUPLING SHAFT		01	01	01	01
087	0521010577	0.9" X 4.1" COUPLING SHAFT		01	01	01	01
088	0503030085	LOCK PIN		02	02	02	02
089	0503060100	HAND BOOK COMPARTMENT		01	01	01	01
090	0503010358	5/16" X 5/8" BOLT		01	01	01	01
091	0503010267	NYLON CLAMP		01	01	01	01
092	0501065677	STRUT		02	02	02	02
093	0502010477	UPPER CLIP		01	01	01	01
094	0503010751	C3/8" X 1.1/4" HEX BOLT G.5		03	03	03	03
095	0501047895	ROD STOP		01	01	01	01
096	0501047896	1.18" ROD STOP		01	01	01	01
097	0501047897	1.38" ROD STOP		01	01	01	01
098	0501047898	1.57" ROD STOP		01	01	01	01
099	0521013867	DRAWBAR TRANSPORT LOCK		01	01	01	01



Item	Code	Description	See page	08	09	10	12
100	0541011767	HOSE FIXATION		01	01	01	01
101	0503031436	AIR DITRIBUTOR PUMP		01	01	01	01
102	0511044704	TURBINE ASSY FOR CARDAN		01	01	01	01
103	0511041364	DRIVE SHAFT	23	01	01	01	01
104	0503010479	1/2" X 3" BOLT		01	01	01	01
105	0531016190	4" X 43" AIR CONDUCTOR		01	01	01	01
106	0521018618	5" X 70" AIR CONDUCTOR		01	01	01	01
107	0503011372	102 TO 121 CLAMP		04	04	04	04
108	0503012724	121 TO 140 CLAMP		01	01	01	01
109	0531015603	HOSE FIXATION SUPPORT		01	01	01	01



Item	Code	Description	See page	08 09 10 12
001	0511065596	FRAME PST3 9 S-0604		00 01 00 00
002	0511065595	FRAME PST3 8 S-0604		01 00 00 00
003	0511062558	FRAME		00 00 01 00
004	0511064816	FRAME		00 00 00 01
006	0503010523	1/4" X 2" COTTERPIN		02 02
007	0503010003	1845 GREASE FITTING		05 05
008	0501043881	ROW MARKER PIVOT		01 01
008A	0501065640	ROW MARKER ROD GUIDE		02 02
008B	0503010238	1/2" X 1-3/4" BOLT		04 04
008C	0503010019	1/2" SPRING WASHER		52 52
008D	0503010060	1/2" NUT		51 51
008E	0501065644	ROW MARKER ARM/DISARMENT ROD		05 05
008F	0501064229	REGULATOR ARM/DISARMENT ROD		01 01
008G	0501062547	ROW MARKER BAR REGULATOR		01 01
008H	0511017302	FLAT WASHER		10 10
008I	0503010395	1/2" X 1-1/4" BOLT		09 09
008J	0521010454	0.83" X 1.25" X 0.79" SLEEVE		02 02
008K	0503010734	1/2" X 2-1/2" BOLT		02 02
008L	0521010539	0.3" X 1.2" COUPLING SHAFT		02 02
008M	0503010140	1/8" X 3/4" COTTERPIN		02 02
008N	0531010412	ROW MARKER ARM LOCK		02 02
008O	0502011231	CENTRAL PULLEY		03 03
008P	0511011309	AXLE PULLEY		01 01
008Q	0503010257	1/8" X 1" COTTERPIN		10 10
008R	0503030755	STEEL CABLE		01 01
008S	0501010096	3/8" X 2" BOLT		02 02
008T	0531010415	ROW MARKER ARM/DISARM GUIDE SLL EVE		02 02
008U	0503010025	3/8 SPRING WASHER		21 21
008V	0503010026	3/8" NUT		20 20
008W	0511011308	BOLT		02 02
008X	0501065642	ROW MARKER SUPPORT		01 01



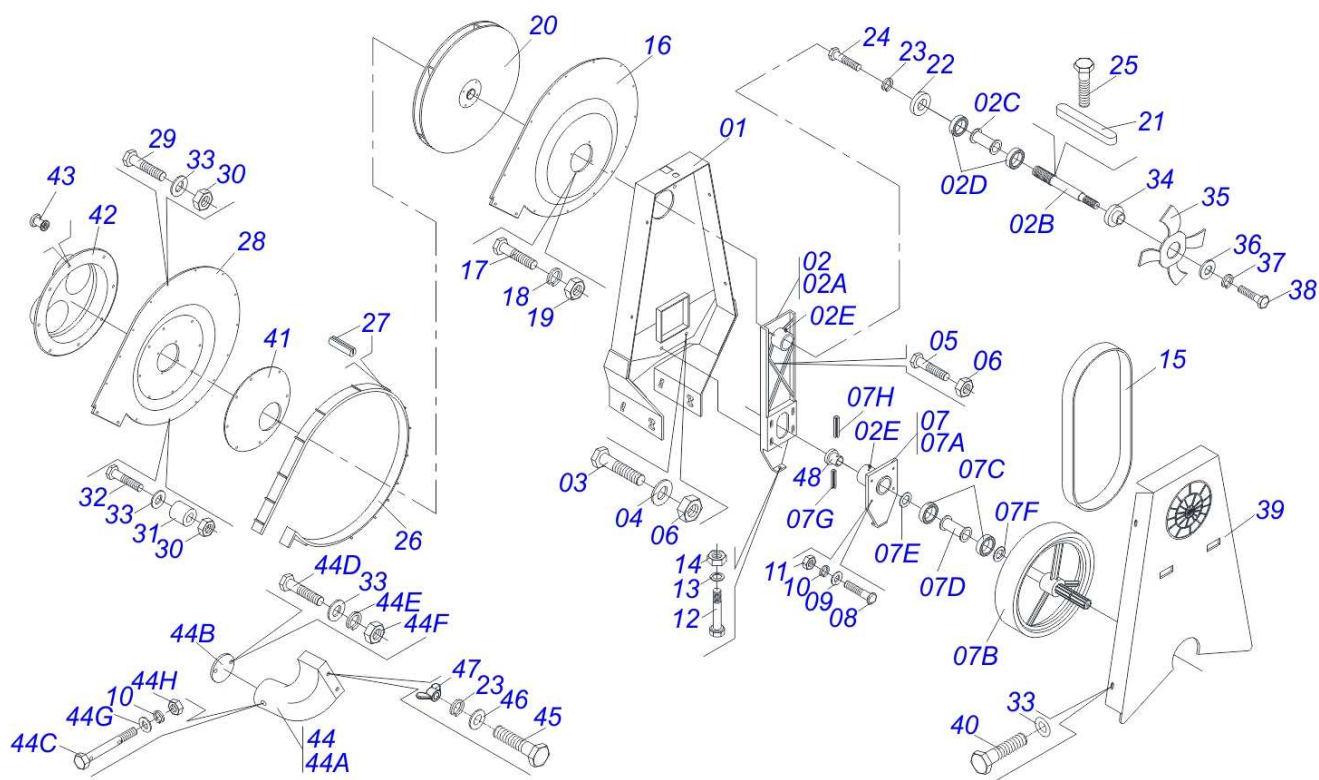
Item	Code	Description	See page	08	09	10	12
008Y	0521010693	PULLEY FIXER PLATE		01	01		
008Z	0503010691	1/4" GREASE FITTING		02	02		
008ZA	0503010232	5/8" X 1.3/4" BOLT		02	02		
008ZB	0503010027	SPRING WASHER		12	12		
008ZC	0503010013	5/8" NUT		12	12		
009	0503011129	6,4 X 1900 CHAIN		00	02		
010	0503011128	6,4 X 1400 CHAIN		02	00		
011	0502011291	CHAIN SLEEVE		02	02		
012	0503010683	0,2" X 1,2" SPRING PIN		02	02		
013	0503011114	QUICK COUPLING PUMP		02	02		
014	0502010421	SIDE PULLEY		02	02		
015	0521010445	0.53" X 0.75" X 0.45" SLEEVE		02	02		
016	0521010641	COUPLING SHAFT		02	02		
017	0503010140	1/8" X 3/4" COTTERPIN		02	02		
018	0511011272	PROTECTION COVER ARM/DISARMMENT		01	00		
019	0511011273	PROTECTION COVER ARM/DISARMMENT		01	00		
020	0511011274	PROTECTION COVER ARM/DISARMMENT		00	01		
021	0511011275	PROTECTION COVER ARM/DISARMMENT		00	01		
022	0521014441	HOSE HOLDER RIGHT SUPPORT		02	02		
023	0521018535	HOSE HOLDER LEFT SUPPORT		02	02		
024	0511017961	1/2" X 1-1/4" REB BOLT		02	02		
025	0503031609	AIR DISTRIBUTOR		02	00		
026	0503031610	AIR DISTRIBUTOR		00	02		
027	0521014442	HOSE SUPPORT		04	04		
028	0503010363	5/16" X 1" BOLT		08	08		
029	0503010179	SPRING WASHER		08	08		
030	0503010337	5/16" NUT		08	08		
031	0511060553	ROW MARKER SUPPORTE RIGHT		01	00		
032	0511060554	ROW MARKER SUPPORTE LEFT		01	00		
033	0511060551	ROW MARKER RIGHT SUPPORT		00	01		
034	0511060552	ROW LEFT MARKER SUPPORT		00	01		
035	0503010769	5/8" X 2-1/4" BOLT		04	04		
036	0521010479	SLEEVE ARTICULATION		04	04		
037	0501069643	890 TURNBUCKLE		02	02		
038	0501069297	ROW MARKER LOCK RIGHT		01	01		
039	0501069624	ROW MARKER LOCK LEFT		01	01		
040	0501049849	2.0" X 4.5" X 25.8" HYDRAULIC CYLINDER	3	01	01		
041	0521012538	1.2" X 3.5" COUPLING SHAFT		01	01		
042	0503010834	1/2 X 1 BOLT		02	02		
042A	0521012536	COUPLING SHAFT		01	01		
043	0501069558	RIGHT HANDRAIL		01	00		
044	0501069559	LEFT HANDRAIL		01	00		
045	0501069560	RIGHT HANDRAIL		00	01		
046	0501069561	LEFT HANDRAIL		00	01		
047	0521011241	REAR PLATFORM 1990 PST2 10 S-0498		02	00		
048	0521011244	REAR PLATFORM 2490 PST2 12 S-0498		00	02		
049	0521011300	REAR PLATFORM FIXER		04	04		
050	0503010751	C3/8" X 1.1/4" HEX BOLT G.5		04	00		
051	0501010080	3/8" BOLT		00	04		
052	0531016952	LADDER SUPPORT RIGHT		01	01		
053	0531016953	LADDER SUPPORT LEFT		01	01		
054	0503010237	3/8" X 1" BOLT		08	08		
055	0501069281	RIGHT LADDER		01	01		
056	0501069282	LEFT LADDER		01	01		
057	0521010542	COUPLING SHAFT		04	04		
058	0521011249	LADDER LOCK PIN		02	02		
059	0503030190	0.5" X 1.6" X 0.05" SPRING		02	02		
060	0502011530	SUPPORT		02	02		
061	0502010175	HITCH CLAMP		02	02		



Item	Code	Description	See page	08	09	10	12
062	0501011543	5/8" X 4" BOLT		04	04		
063	0521014411	1/2" X 2.76" X 1.54" FASTENER		04	04		
064	0511061835	PLOUGH SUPPORT		02	02		
065	0501011075	PIN		02	02		
066	0503030012	HAIR PIN		02	02		
067	0501050633	MARKER DISC ASSY LINE	4	02	02		
068	0521013164	PROTRACTOR TURNBUCKLE		02	02		
069	0501011310	FIXER LOCK		08	08		
070	0503010706	1/2" X 4.1/2" BOLT		16	16		
071	0503031376	RH CHAIN PROTECTION CAP		01	01		
072	0503031377	LEFT CHAIN PROTECTION CAP		01	01		
073	0511011417	HEX STUD 3/8" X 3/8" X 5.79"		04	04		
074	0501069631	COVER FIXER		02	02		
075	0503010920	1/2" X 1.1/2" BOLT		02	02		
076	0503010209	3/8" UNC BUTTERFLY NUT		06	06		
077	0501010984	FLAT WASHER		14	14		
078	0502012329	DRAWBAR FIXATION REAR SUPPORT		02	02		
079	0502012328	DRAWBAR SUPPORT FRONT FIXATION		02	02		
080	0502012330	SUPPORT FIXER PIVOT		04	04		
081	0503011084	3/4" X 5" BOLT		08	08		
082	0501010322	FLAT WASHER		08	08		
083	0503010023	SPRING WASHER		08	08		
084	0503010014	3/4" NUT		08	08		
085	0503060100	HAND BOOK COMPARTMENT		01	01		
086	0503010267	NYLON CLAMP		01	01		
087	0503010358	5/16" X 5/8" BOLT		01	01		
088	0503010179	SPRING WASHER		01	01		
089	0503010337	5/16" NUT		01	01		
090	0501054428	DRAWBAR TURNBUCKLE		01	01		
090A	0501067353	508 PST3 TURNBUCKLE		01	01		
090B	0511060558	RIGHT TURNBUCKLE		01	01		
090C	0511060559	LEFT TURNBUCKLE		01	01		
090D	0501061056	RH LOCKNUT WITH HANDLER		01	01		
090E	0503010002	1800 GREASE FITTING		02	02		
091	0503031436	AIR DITRIBUTOR PUMP		04	04		
092	0521010572	0.9" X 2.9" COUPLING SHAFT		01	01		
093	0521010577	0.9" X 4.1" COUPLING SHAFT		01	01		
094	0503030085	LOCK PIN		02	02		
095	0511064808	DRAWBAR		01	01		
096	0502010477	UPPER CLIP		01	01		
097	0503010751	C3/8" X 1.1/4" HEX BOLT G.5		03	03		
098	0501051160	TRACTOR HITCH PIN		01	01		
098A	0502040556	HITCH TURNER		01	01		
098B	0521010681	BUSHING COUPLING BODY		01	01		
098C	0521010639	COUPLING SHAFT		01	01		
098D	0503010571	1/4" X 1.1/2 COTTERPIN		01	01		
099	0501047881	COUPLING SHAFT		01	01		
099A	0501068989	COUPLING SHAFT		01	01		
099B	0503031035	HAIR PIN		01	01		
100	0501047895	ROD STOP		01	01		
101	0501047896	1.18" ROD STOP		01	01		
102	0501047897	1.38" ROD STOP		01	01		
103	0501047898	1.57" ROD STOP		01	01		
104	0541011767	HOSE FIXATION		01	01		
105	0511044704	TURBINE ASSY FOR CARDAN		01	01		
106	0511041364	DRIVE SHAFT	23	01	01		
107	0503010479	1/2" X 3" BOLT		01	01		
108	0531016190	4" X 43" AIR CONDUCTOR		02	00		
109	0521018617	4" X 66.9" AIR CONDUCTOR		00	02		



Item	Code	Description	See page	08	09	10	12
110	0521018617	4" X 66.9" AIR CONDUCTOR		01	01		
111	0503011372	102 TO 121 CLAMP		04	04		
112	0503012724	121 TO 140 CLAMP		01	01		
113	0531015603	HOSE FIXATION SUPPORT		01	01		
114	0503010967	5/8" X 5.1/2" BOLT		02	02		
115	0521013867	DRAWBAR TRANSPORT LOCK		01	01		
116	0531012336	1.4" X 5.35" COUPLING SHAFT		02	02		
117	0503030119	LOCK PIN		02	02		
118	0501065677	STRUT		02	02		
119	0503010920	1/2" X 1.1/2" BOLT		10	10		



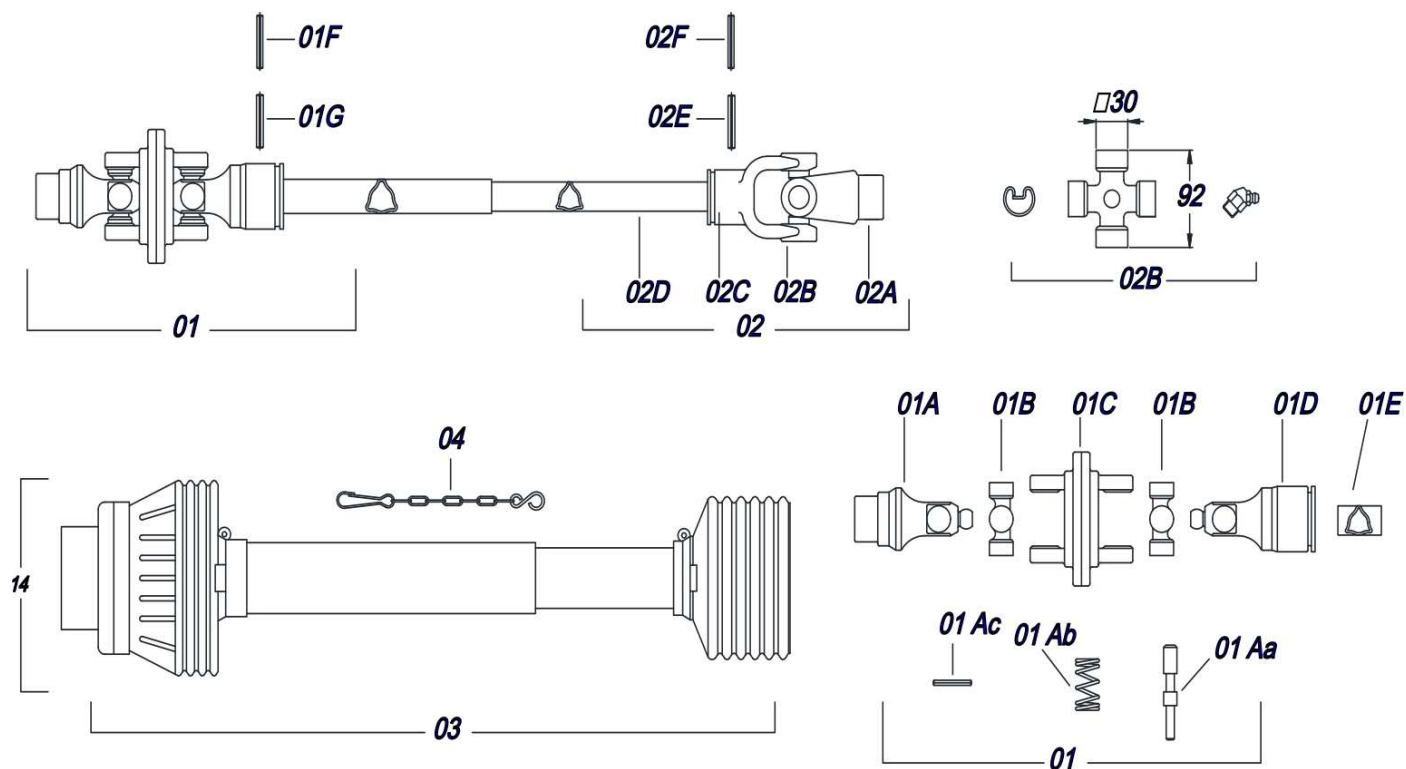
Item	Code	Description	See page	QT
01	0511061094	TURBINE SUPPORT		01
02	0501053716	BEARING ASSY OF THE LARGER FAN		01
02A	0502012016	CHAIN TENSIONER SUPPOT		01
02B	0503012778	MIDDLE LARGER AXLE		01
02C	0531010881	INTERMEDIARY UPPER SLEEVE		01
02D	0503012689	6306 DDU BEARING		02
02E	0503010325	VCA-118 VALVE		03
03	0503010920	1/2" X 1.1/2" BOLT		02
04	0511017302	FLAT WASHER		02
05	0503010395	1/2" X 1-1/4" BOLT		02
06	0503011336	1/2" HEX SELF ADJUSTING NUT		04
07	0501053886	PULLEY ASSY WITH FREE ROT		01
07A	0502012020	PULLEY HOUSING BEARING		01
07B	0501053888	TURBINE PULLEY ASSY		01
07C	0503011081	6207 2RS BEARING		02
07D	0531014518	INTERMEDIARY LOWER BUSHING BEARING		01
07E	0531014519	FLAT WASHER		01
07F	0531014527	FLAT WASHER		01
07G	0503010301	0.3" X 1.8" SPRING PIN		01
07H	0503011855	0.2" X 1.8" SPRING PIN		01
08	0501011194	1/2" X 1-3/4" BOLT		04
09	0521018517	FLAT WASHER		04
10	0503010019	1/2" SPRING WASHER		05
11	0503010020	1/2"NUT		04
12	0503013030	5/8" X 3.1/4" BOLT		01
13	0501012140	FLAT WASHER		01
14	0503010013	5/8" NUT		01
15	0503012780	LARGER TURBINE BELT		01
16	0531017194	FRONT COVER		01
17	0503010751	C3/8" X 1.1/4" HEX BOLT G.5		04
18	0503010025	3/8 SPRING WASHER		04



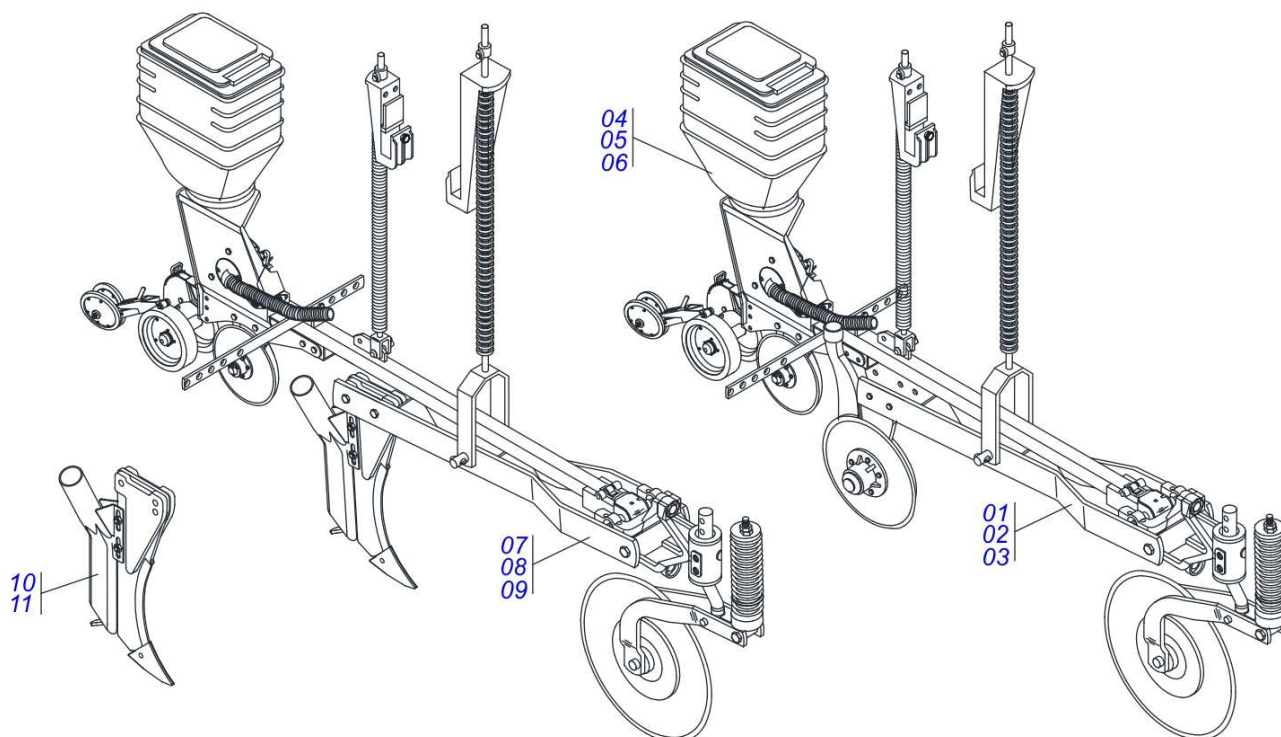
TURBINE ASSY FOR CARDAN

0909092761

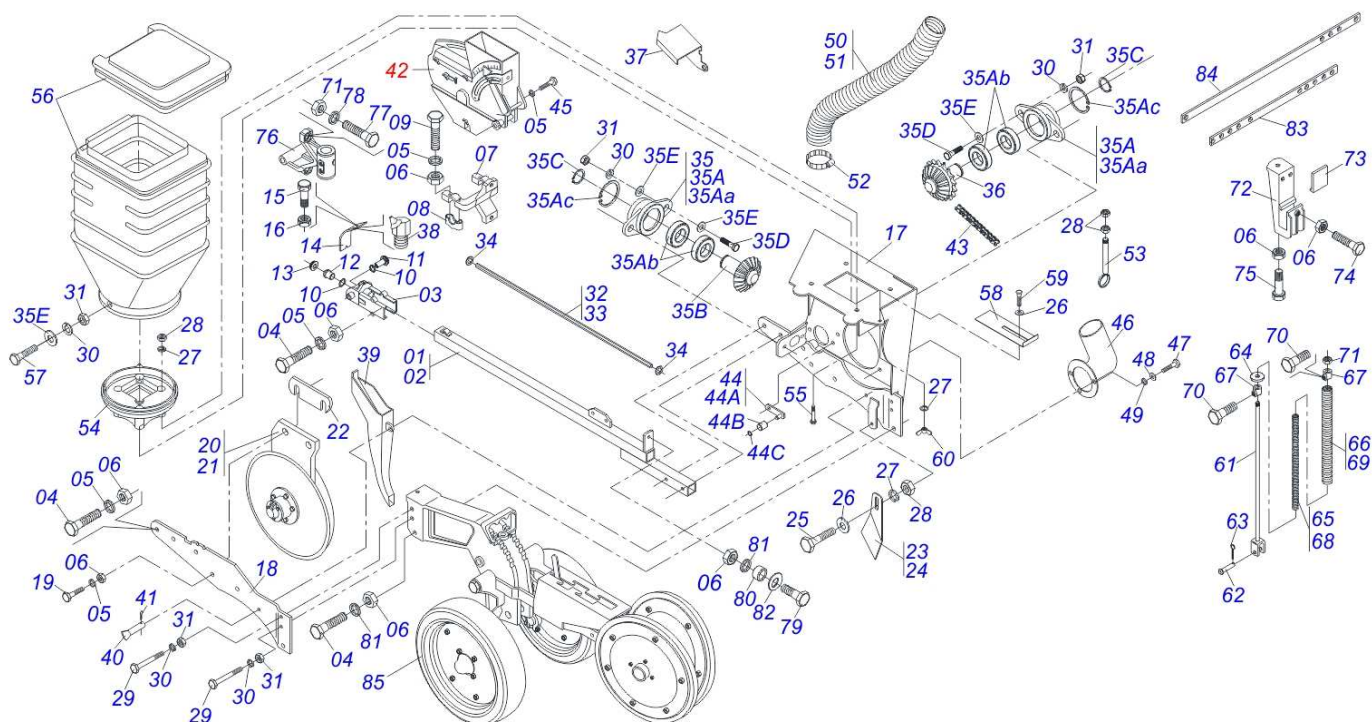
Item	Code	Description	See page	QT
19	0503010026	3/8" NUT		04
20	0511040440	17.3" MIDDLE FAN		01
21	0503011775	6 X 6 X 35 KEYWAY		01
22	0503011774	PULLEY		01
23	0503010179	SPRING WASHER		03
24	0503011257	M 8 X 1,25 X 30 BOLT		01
25	0503011807	M 8 X 1,25 X 10 BOLT		01
26	0501054272	RIBBON FOR COVER CLOSING ASSY		01
27	0503031776	TURBINE RIBBON SEAL		02
28	0531017195	REAR COVER		01
29	0503013031	1/4" X 3.1/4" BOLT		15
30	0503012880	1/4" UNC SELF ADJUSTING NUT		17
31	0511014024	10 X 13 X 15,5 SLEEVE		02
32	0503012721	1/4" X 4" BOLT		02
33	0511017303	FLAT WASHER		40
34	0531010771	WASHER GUIDE		01
35	0531010757	TURBINE FAN		01
36	0531010770	FLAT WASHER		01
37	0503010179	SPRING WASHER		01
38	0503011429	M 8 X 1,25 X 40 BOLT		01
39	0531012760	TURBINE REAR COVER		01
40	0503013758	1/4" X 1-1/2" BOLT		04
41	0521018267	LARGER TURBINE FRONTAL COVER CENTER		01
42	0503031649	CONECTOR CENTER		01
43	0503012722	0.16" X 0.4" BLIND RIVET		16
44	0501056495	TURBINE OUTPUT SOCKET		01
44A	0503031812	TURBINE OUTPUT SOCKET		01
44B	0541017539	BUTTERFLY VALVE		01
44C	0511066760	VALVE FIXATION SUPPORT		01
44D	0503013813	1/4" UNC X 7/8" BOLT		02
44E	0503010143	SPRING WASHER		02
44F	0503010144	1/4" NUT		02
44G	0501013519	FLAT WASHER		01
44H	0503010060	1/2" NUT		01
45	0503013096	5/16" X 4" BOLT		02
46	0501010694	FLAT WASHER		04
47	0503010499	5/16" UNC BUTTERFLY NUT		02
48	0531015571	CARDAN SLEEVE HITCH		01



Item	Code	Description	See page	QT
01	0501055638	HOMO JOINT WITH FEMALE BUSHING	01	01
01A	0503012607	TRACTOR HOMOCINETIC TERMINAL	01	01
01Aa	0521010638	0.5" X 3.3" QUIC HITCH COUPL SHAFT	01	01
01Ab	0503030518	0.5"X1.0"X 0.1" COMPRESSION SPRING	01	01
01Ac	0503010140	1/8" X 3/4" COTTERPIN	01	01
01B	0503012605	CROSSPIECE	02	02
01C	0503012606	CENTER BODY	01	01
01D	0503012604	HOMO TERMINAL W/ FEMALE BUSHING	01	01
01E	0503012618	2.1" X 2.0" X 31" TRIAN FEMALE TUB	01	01
01F	0503010843	0.4" X 3.3" SPRING PIN	01	01
01G	0503011878	0.2" X 3.3" SPRING PIN	01	01
02	0501055639	UNIVERSAL JOINT	01	01
02A	0503013132	CC292 TERMINAL	01	01
02B	0503012096	CROSSPIECE	01	01
02C	0503013187	TERMINAL	01	01
02D	0503012619	1.8" X 1.7" X 31" TRIAN MALE TUB	01	01
02E	0503011069	0.4" X 2.8" SPRING PIN	01	01
02F	0503011805	0.2" X 2.8" SPRING PIN	01	01
03	0503013189	PROTECTION ASSY	01	01
04	0503012023	CHAIN FOR UNIV JOINT PROTECTION	01	01



Item	Code	Description	See page	QT
00	0511042460	RIGHT SHORT SEED FERT ROW ASSY		01
00.	0511042461	LEFT SHORT SEED FERT ROW ASSY		01
00B	0511042462	LEFT SHORT SEED FERT ROW ASSY		01
01	0501048763	LH SHORT FERTILIZER ROW		01
02	0501049135	RH SHORT FERTILIZER ROW		01
03	0501048764	RH LONG FERTILIZER ROW ASSY		01
04	0511040059	RIGHT SHORT SEED ROW ASSY		01
05	0511040060	LEFT SHORT SEED ROW ASSY		01
06	0511040061	LONG SEED ROW ASSY		01
07	0501049136	SPINDLE RIGHT SHORT FERT. ROW ASSY		01
08	0501049154	SPINDLE LEFT SHORT FERT. ROW ASSY		01
09	0501049153	SPINDLE LONG FERT. ROW ASSY		01
10	0501052767	SCARIFIER SPINDLE		01
11	0501052768	SCARIFIER SPINDLE		01



Item	Code	Description	See page	CT	LG
00	0511040059	RIGHT SHORT SEED ROW ASSY		01	00
00.	0511040060	LEFT SHORT SEED ROW ASSY		01	00
00..	0511040061	LONG SEED ROW ASSY		00	01
01	0511061761	SHORT SEEP ROW ARM		01	00
02	0511061762	LONG SEEP ROW ARM		00	01
03	0502011830	ARTICULACCION SUPPORT		01	01
04	0503010752	1/2" X 3.1/2" BOLT		03	03
05	0503011440	SPRING WASHER		11	11
06	0503010060	1/2" NUT		10	10
07	0502011561	BEARING SEMI		01	01
08	0502010426	UPPER BEARING SEMI		02	02
09	0503010479	1/2" X 3" BOLT		04	04
10	0501013354	FLAT WASHER		02	02
11	0502011400	18Z CONICAL GEAR		01	01
12	0502011296	1/2 HEX AXLE BEARING SLEEVE		01	01
13	0502011505	18Z CONICAL GEAR		01	01
14	0521018079	SEEP ROW DRAWBAR COVER		01	01
15	0503013758	1/4" X 1-1/2" BOLT		02	02
16	0503011441	SPRING WASHER		02	02
17	0511061876	SEED DISTRIBUTOR SUPPORT		01	01
18	0521018289	LEFT SIDE OF THE SEED DISTRIB SUPP		01	01
19	0503010752	1/2" X 3.1/2" BOLT		04	04
20	0909090053	15 X 15 SEED UNAL DOUB-DISC ASSY	14	01	00
21	0503031050	CURVED CONDUCTOR		07	07
22	0511018662	SPACING PLATE		04	04
23	0501017541	RH DOUBLE DISC SCRAPER		01	00
24	0501017542	LH DOUBLE DISC SCRAPER		00	01
25	0503010849	3/8" X 1-1/2" BOLT		01	01
26	0501010984	FLAT WASHER		03	03
27	0503010025	3/8 SPRING WASHER		06	06
28	0503010026	3/8" NUT		07	07



PST3/SUPREMA
SEED ROW ASSY

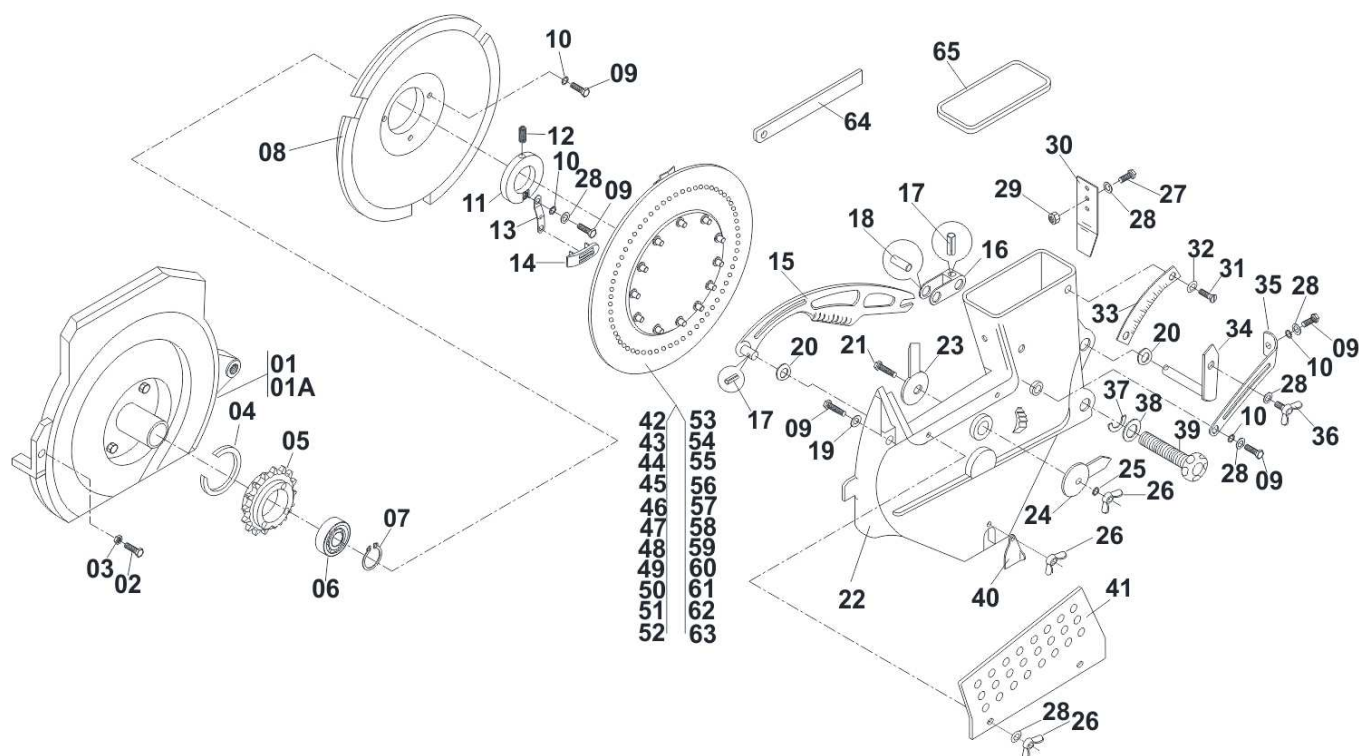
Item	Code	Description	See page	CT	LG
29	0503010848	5/16" X 3.1/2" BOLT		02	02
30	0503010179	SPRING WASHER		10	10
31	0503010337	5/16" NUT		10	10
32	0521018077	1/2" X 58.6" HEX AXLE		01	00
33	0521018078	1/2" X 66.5" HEX AXLE		00	01
34	0501013352	FLAT WASHER		02	02
35	0501053538	SIDE BEARING		01	01
35A	0501053297	BEARING WITH DOUBLE BALL BEARING		02	02
35Aa	0502011971	HOUSING WITH DOUBLE BEARING		02	02
35Ab	0503011410	ROLLER BEARING		04	04
35Ac	0503011105	SEAL RING		02	02
35B	0511063004	DOUBLE BEARING AXLE		01	01
35C	0503010406	501025 CLAMPING RING (FOR AXLE)		02	02
35D	0503010365	NUT		04	04
35E	0501010694	FLAT WASHER		10	10
36	0502012254	18Z CONICAL GEAR HEX 1/2		01	01
37	0521018468	PROTECTION COVER		01	01
38	0503011099	GREASE FITTING		02	02
39	0503030150	BEND SOCKET		01	01
40	0521011744	0.3" X 3.1" COUPLING SHAFT		01	01
41	0503010140	1/8" X 3/4" COTTERPIN		01	01
42	0501052710	SEED DISTRIBUTOR WITH DISC	26	01	01
43	0503011371	CHAIN TR-081 X 1.8" LINK + MENDING		01	01
44	0501054144	SEED DISTRIBUTOR CHAIN TENSIONER		01	01
44A	0511063899	SEED DISTRIBUTOR CHAIN TENSIONER		01	01
44B	0531016202	PULLEY SEED DISTRIB CHAIN TENSIONER		01	01
44C	0503010302	501019 SEAL RING		01	01
45	0503010428	M12 X 1,75 X30 BOLT		03	03
46	0503031650	TUBE COP SUPREMA		01	01
47	0503011104	M6 X 1" BOLT		03	03
48	0511017303	FLAT WASHER		03	03
49	0503010143	SPRING WASHER		03	03
50	0521019455	2 X 76.6 AIR CONDUCTION		01	00
51	0521019456	2X 2100 AIR CONDUCTION		00	01
52	0503010246	CLAMP		02	02
53	0511062003	HOSE LARGE GUIDE		01	01
54	0502011760	SEED SILO SUPPORT		01	01
55	0503010751	C3/8" X 1.1/4" HEX BOLT G.5		04	04
56	0503031508	COVER GREEN BEAM SEED YELLOW		01	01
57	0503010358	5/16" X 5/8" BOLT		04	04
58	0531018349	SEED FLOW SWITCH PNEUMATIC SYSTEM		01	01
59	0501011643	3/8 X 1"BOLT		01	01
60	0503010209	3/8" UNC BUTTERFLY NUT		01	01
61	0511060376	SEEP SPRING GUIDE		01	01
62	0521010542	COUPLING SHAFT		01	01
63	0503010257	1/8" X 1" COTTERPIN		01	01
64	0501013753	FLAT WASHER		01	01
65	0503031339	1" X 19" X 0.1" COMPRESSION SPRING		01	00
66	0503031340	1.7"X 19" X 0.3" COMPRESSION SPRING		01	00
67	0502040534	SPRING GUIDE BUSHING LOCK		02	02
68	0503031359	1"X15.75"X0.15" COMPRESSION SPRING		00	01
69	0503031360	1.68"X17.75"X0.3" COMPRESS SPRING		00	01
70	0503010834	1/2 X 1 BOLT		02	02
71	0503010013	5/8" NUT		03	03
72	0502011610	SPRING ROD GUIDE SUPPORT		01	01
73	0502010891	SPRING CHOCK SUPPORT VARON		01	01
74	0503010395	1/2" X 1-1/4" BOLT		01	01
75	0503010920	1/2" X 1.1/2" BOLT		01	01
76	0502011567	FERTILIZER ROW SUPPORT		01	01



PST3/SUPREMA
SEED ROW ASSY

Page 25
0909092763

Item	Code	Description	See page	CT	LG
77	0503010762	5/8" X 3-12" BOLT		02	02
78	0503010027	SPRING WASHER		02	02
79	0503010740	1/2" X 2" BOLT		01	01
80	0521010505	13,50 X 19,00 X 21,50 SLEEVE		01	01
81	0503010019	1/2" SPRING WASHER		02	02
82	0511017302	FLAT WASHER		01	01
83	0501013714	STABILIZER BAR		01	01
84	0501018652	CORN STABILIZER BAR		03	03
85	0501052945	DEPTH CONTROL WHEELS ASSY	27	07	07



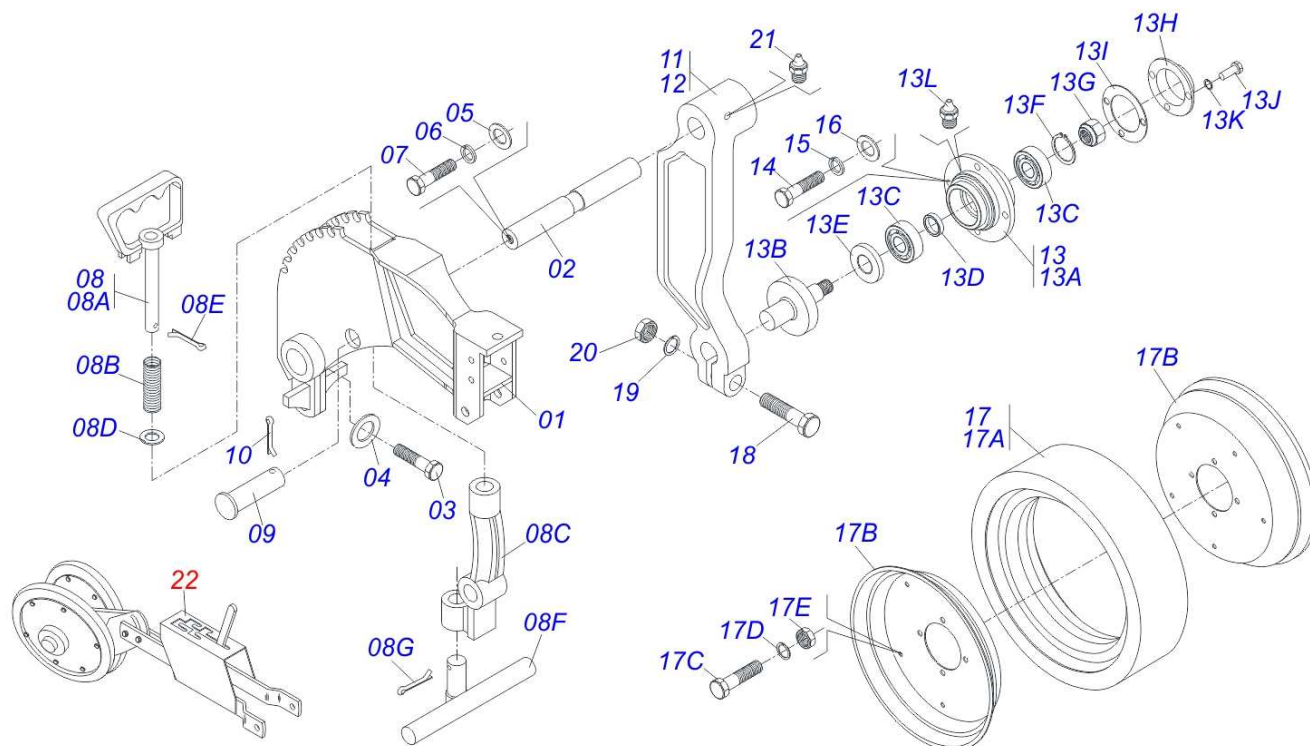
Item	Code	Description	See page	QT
00	0511042211	PNEUMATIC SEED DISTRIBUTOR		01
00.	0501052710	SEED DISTRIBUTOR WITH DISC	26	
01	0501110393	DISTRIBUTOR MINOR SIDE ASSY		01
01A	0502012217	MINOR SIDE		01
02	0503011295	M 8 X 1,25 X 25 BOLT		01
03	0503010427	METRIC M8 X P.0.5" NUT		01
04	0503011770	SEAL # V-75 A		01
05	0501067722	26Z GEAR WITH BUSHING		01
06	0503011771	6008 2RS BALL BEARING		01
07	0503010217	501040 CLAMPING RING (FOR AXLE)		01
08	0502050028	DISC SUPPORT		01
09	0503011378	M6 X 1" BOLT		06
10	0503010143	SPRING WASHER		06
11	0511017229	1.6" X 2.5" X 0.7" BUSHING		01
12	0503011769	M8 X 0.5" BOLT		01
13	0501110309	PNEUMATIC SWITCH W/ SUPPORT		01
14	0503031060	PNEUMATIC SWITCH		01
15	0503011817	UPPER SELECTOR		01
16	0502020559	UPPER SELECTOR ACTUATOR		01
17	0503011823	0.1" X 0.6" SPRING PIN		02
18	0531014481	0.2" X 0.6" AXLE		01
19	0503011821	CRINKLE WASHER		01
20	0503011820	CRINKLE WASHER		02
21	0503011813	M6 X 1.2" BOLT		01
22	0502012228	LARGE SIDE		01
23	0501110311	LOWER SELECTOR ASSY		01
24	0511016220	LOWER SELECTOR INDICATOR		01
25	0503011815	TOOTHED WASHER		01
26	0503012445	M6 C/ABA 1.20" BUTTERFLY NUT		04
27	0503011812	M6 X 1" BOLT		01
28	0511017303	FLAT WASHER		04



SEED DISTRIBUTOR WITH DISC

0501052710

Item	Code	Description	See page	QT
29	0503011776	M6 SELF ADJUSTINGNUT		01
30	0511017186	SEED LEVEL REGULATOR		01
31	0503011825	M4 X 8" BOLT		02
32	0503011828	FLAT WASHER		02
33	0503031058	UPPER SELECTOR SCALE		01
34	0501067818	SCALE INDICATOR WITH PIN		01
35	0511017219	SCALE INDICATOR GUIDE		01
36	0503011810	M6 X 1" BUTTERFLY BOLT		01
37	0503011827	504.100 CLAMPING RING (FOR HOLE)		01
38	0503011828	FLAT WASHER		01
39	0503011809	M12 KNOB		01
40	0503013020	SEED DRAINER COVER		01
41	0503013179	PNEUMATIC SEED DISTRIBUTOR VISOR		01
42	0503011511	DISC 3245 OF THE SMALL CORN		01
43	0503011512	DISC 3255 LARGE CORN		01
44	0503011454	DISC 6445 LARGE SOYBEAN		01
45	0503011455	DISC 6450 LARGE SOYBEAN		01
46	0503011513	DISC 6430 SMALL SOYBEAN/COTTON		01
47	0503011437	DISC 6420 SORGHUM		01
48	0503011456	DISC 4820 SORGHUM		01
49	0503011391	DISC 3230 SUNFLOWER		01
50	0503011436	DISC 4845 MIDDLE BEAN		01
51	0503011392	DISC 4855 GREAT BEAN		01
52	0503011717	DISC 4835 DELINTED COTTON / BEAN		01
53	0503012574	DISC 6460 PEANUT P18 A 26		01
54	0503011889	DISC 7512 TOMATO		01
55	0503012576	DISC 3660 CORN		01
56	0503012577	DISC 3650 MIDDLE CORN		01
57	0503012578	DISC 3645 CORN		01
58	0503012579	DISC 3630 SUNFLOWER		01
59	0503012580	DISC 8440 MIDDLE SOYBEAN		01
60	0503012581	DISC 8045 LARGE SOYBEAN		01
61	0503012582	DISC 18016 RICE		01
62	0503012860	DISC 3240 POPCORN		01
63	0503012728	DISC WITHOUT HOLE		01
64	0511015627	SEED DISC LEVER		01
65	0503031660	SEED DISTRIBUTOR RUBBER BACKING		01



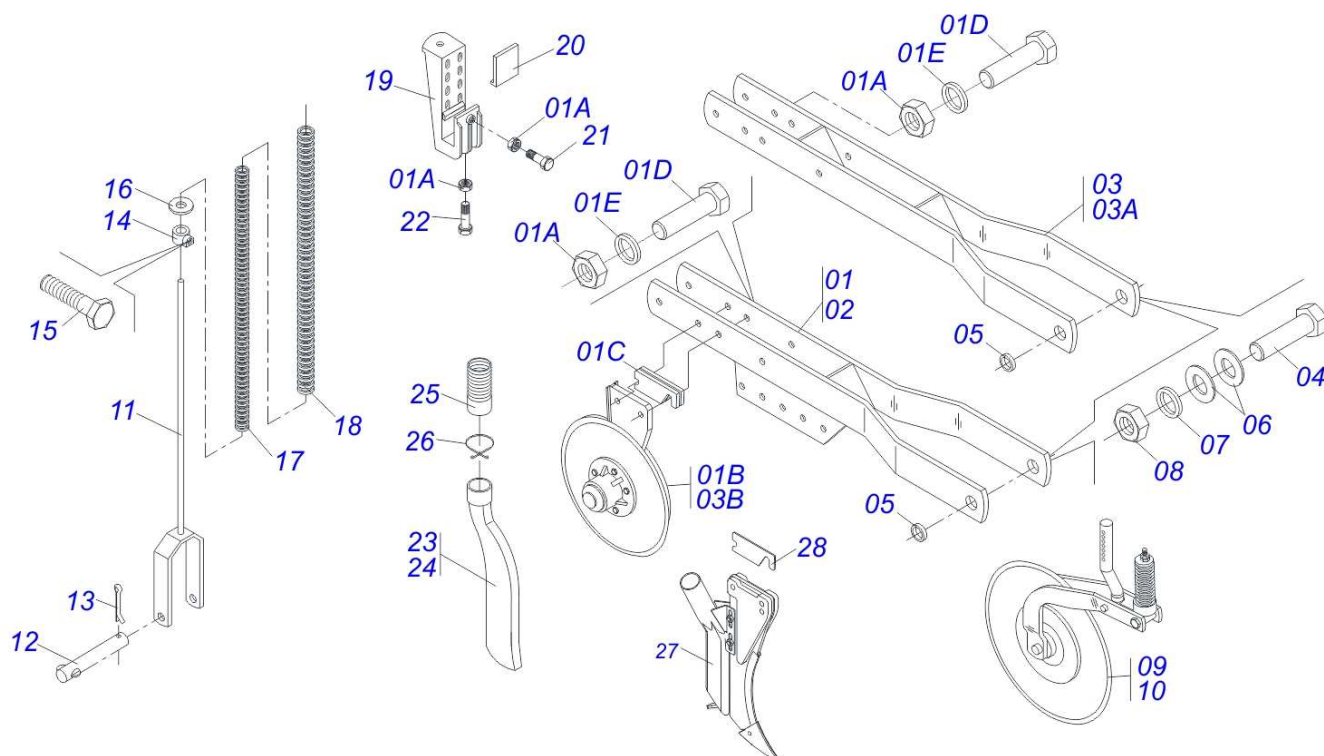
Item	Code	Description	See page	QT
01	0502012086	DEPTH CONTROL SUPPORT		01
02	0511012244	DEPTH CONTROL WHEEL AXLE		01
03	0503010256	3/8" X 3/4" BOLT		01
04	0521015818	FLAT WASHER		04
05	0511017302	FLAT WASHER		02
06	0503010019	1/2" SPRING WASHER		02
07	0503010834	1/2 X 1 BOLT		02
08	0501052297	DEPTH WHEELS REGULATOR ASSY		01
08A	0502011689	1/8" DEPTH CONTROL LEVER		01
08B	0503030975	0.9" X 1.5" X 0.1" SPRING		01
08C	0502011688	SEED SIST CONTROL DEPTH LEVER		01
08D	0511015976	FLAT WASHER		01
08E	0503010257	1/8" X 1" COTTERPIN		01
08F	0511060699	DEPTH WHEEL STOP		01
08G	0503010071	3/16" X 1" COTTERPIN		01
09	0521019093	0.6" X 2.7" PIVOT SHAFT		01
10	0503010778	1/8" X 1.1/2" COTTERPIN		01
11	0502011699	RIGHT DEPTH WHEEL ARM		01
12	0502011698	LEFT DEPTH WHEEL ARM		01
13	0501052627	ASSY DEPTH WHEEL BOX		02
13A	0502011907	DEPTH CONTROL WHEEL HUB		02
13B	0511060927	DEPTH CONTROL AXLE WITH DUST CLOAK		02
13C	0503010269	6204 BALL BEARING		04
13D	0521010489	SLEEVE SPACER		02
13E	0503010689	SEAL 00763-BR		02
13F	0503011105	SEAL RING		02
13G	0503010878	5/8" SELF ALIGNING NUT		02
13H	0521019178	COVER DEPTH		02
13I	0503030757	2.9" X 2" X 0.02" JOINT		02
13J	0503010298	1/4" X 1/2" BOLT		16
13K	0503011441	SPRING WASHER		06



DEPTH CONTROL WHEELS ASSY

0501052945

Item	Code	Description	See page	QT
13L	0503010691	1/4" GREASE FITTING		02
14	0503010358	5/16" X 5/8" BOLT		08
15	0503010179	SPRING WASHER		08
16	0503013816	5/16" LOCKNUT		08
17	0501052538	DEPTH BAND WITH ARMS		02
17A	0503030551	DEPTH CONTROL WHEEL RUBBER BAND		02
17B	0521010832	RIM FLANGE		04
17C	0503010298	1/4" X 1/2" BOLT		10
17D	0503010143	SPRING WASHER		10
17E	0503010144	1/4" NUT		10
18	0503010740	1/2" X 2" BOLT		02
19	0503011440	SPRING WASHER		02
20	0503010060	1/2" NUT		02
21	0503010002	1800 GREASE FITTING		04
22	0501052935	PRESS WHEELS ASSY	15	01



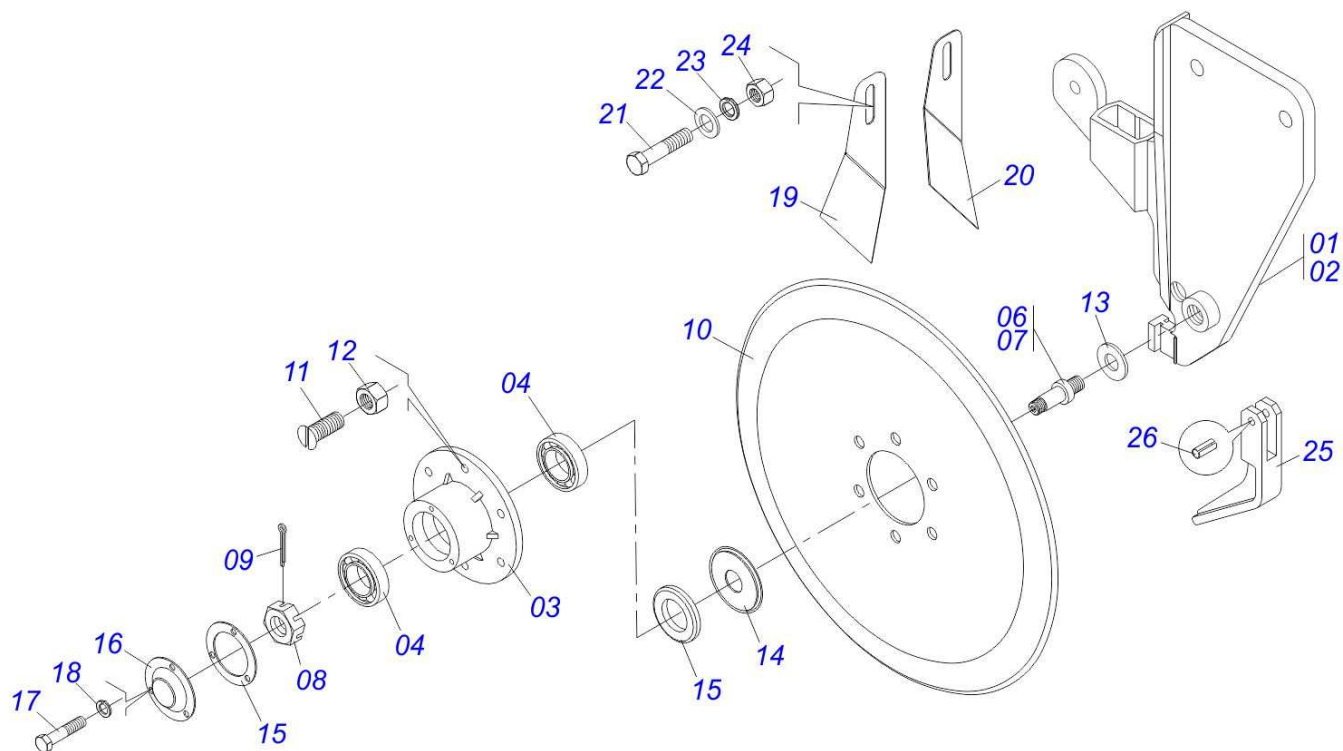
Item	Code	Description	See page	CT	LG
00	0501049135	RH SHORT FERTILIZER ROW		01	00
00.	0501048763	LH SHORT FERTILIZER ROW		01	00
00..	0501048764	RH LONG FERTILIZER ROW ASSY		00	01
01	0501052430	LH SHORT FERTILIZER ROW ARM		01	00
01A	0503010060	1/2" NUT		03	03
01B	0501052977	DDD LEFT FERTILIZER 15 X 15 ASSY		01	00
01C	0511018662	SPACING PLATE		04	04
01D	0503010547	1/2" X 4" BOLT		02	02
01E	0503011440	SPRING WASHER		02	02
02	0501052430	LH SHORT FERTILIZER ROW ARM		01	00
03	0501052287	LONG FERTILIZER ROW ARM		00	01
03A	0511064232	LONG FERTILIZER ROW ARM		00	01
03B	0501052976	15 X 15 RIGHT FERT UNAL DOUB-DISC ASSY		00	01
04	0501010066	3/4" X 9" BOLT		01	01
05	0521017831	SUPPORT SLEEVE SPACER		02	02
06	0511017232	FLAT WASHER		02	02
07	0503010023	SPRING WASHER		01	01
08	0503010014	3/4" NUT		01	01
09	0511044573	18" COULTER BLADE ASSY FOR LONG ROW		00	01
10	0511044549	18" COULTER BLADE ASSY FOR SHORT ROW		01	00
11	0501069303	SPRING ROD		01	01
12	0521010642	FERT.SPRING GUIDE FIXER COUPL SHAFT		01	01
13	0503010257	1/8" X 1" COTTERPIN		01	01
14	0502040534	SPRING GUIDE BUSHING LOCK		01	01
15	0501018535	1/2 X 1 BOLT		01	01
16	0501013753	FLAT WASHER		01	01
17	0503031339	1" X 19" X 0.1" COMPRESSION SPRING		01	01
18	0503031340	1.7"X 19" X 0.3" COMPRESSION SPRING		01	01
19	0502011450	SPRING ROD SUPPORT		01	01
20	0502010891	SPRING CHOCK SUPPORT VARON		01	01
21	0503030679	1/2" X 1-1/4" BOLT		01	01



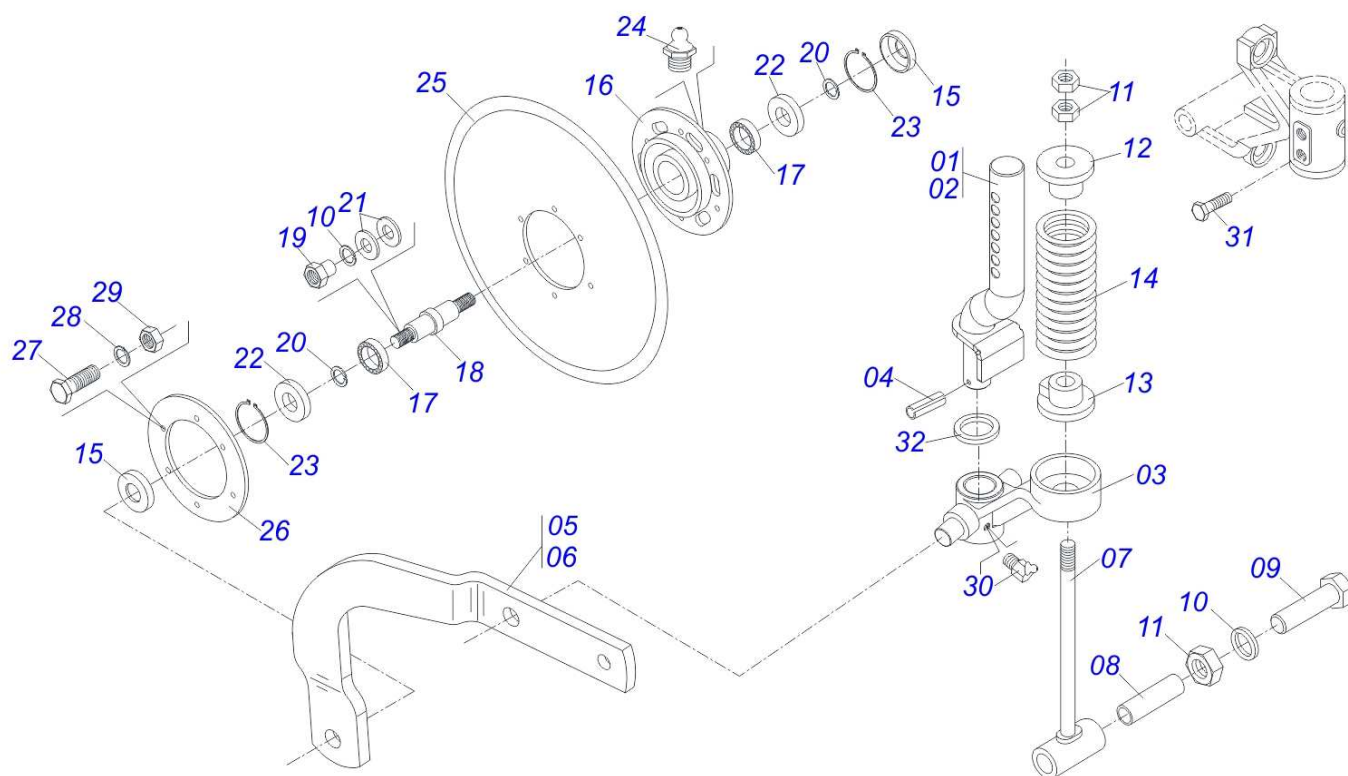
PST3/SUPREMA
ROW FERTILIZER ASSY

Page 28
0909092764

Item	Code	Description	See page	CT	LG
22	0503030678	1/2"X1-1/2"BOLT		01	01
23	0503030391	RIGHT FERTILIZER SOCKET		01	00
24	0503030392	LEFT FERTILIZER SOCKET		00	01
25	0503030408	10 X 2 X 390 HOSE		01	01
26	0503031076	2" HOSE CLAMP		02	02
27	0501110231	SCARIFIER HEAD WITH SPIKE 0061		01	01
28	0511017969	0.1" SPACING PLATE		02	02



Item	Code	Description	See page	DIR	ESQ
00	0501052976	15 X 15 RIGHT FERT UNAL DOUB-DISC ASSY	01	00	
00A	0501052977	DDD LEFT FERTILIZER 15 X 15 ASSY	00	01	
01	0502011160	15"X15" RIGHT DOUBLE DISC SUPPORT	01	00	
02	0502011161	15"X15" LEFT DOUBLE DISC SUPPORT	00	01	
03	0502011930	DOUBLE DISC COULTER BOX	02	02	
04	0503010598	30204 BALL BEARING	04	04	
05	0503011112	SEAL 02376-BRG	02	02	
06	0521019154	RIGHT DOUB DISC HUB	01	01	
07	0521019148	LEFT DOUBLE DISC HUB	01	01	
08	0503030282	3/4" CASTLE NUT	02	02	
09	0503010257	1/8" X 1" COTTERPIN	02	02	
10	0603022042	13" X 0.12" PLAIN COULTER BLADE	02	02	
11	0503010546	5/16" X 7/8" BOLT	12	12	
12	0503010337	5/16" NUT	02	02	
13	0511015098	FLAT WASHER	06	06	
14	0511011927	DUST CLOAK	02	02	
15	0503030757	2.9" X 2" X 0.02" JOINT	02	02	
16	0521019178	COVER DEPTH	02	02	
17	0503014729	1/4" UNF X 1/2" BOLT	06	06	
18	0503011441	SPRING WASHER	06	06	
19	0501017541	RH DOUBLE DISC SCRAPER	01	01	
20	0501017542	LH DOUBLE DISC SCRAPER	01	01	
21	0503010751	C3/8" X 1.1/4" HEX BOLT G.5	01	01	
22	0501010984	FLAT WASHER	02	02	
23	0503011443	SPRING WASHER	01	01	
24	0503010026	3/8" NUT	01	01	
25	0502070062	SCRAPER	01	01	
26	0503011402	0.2" X 0.8" SPRING PIN	01	01	



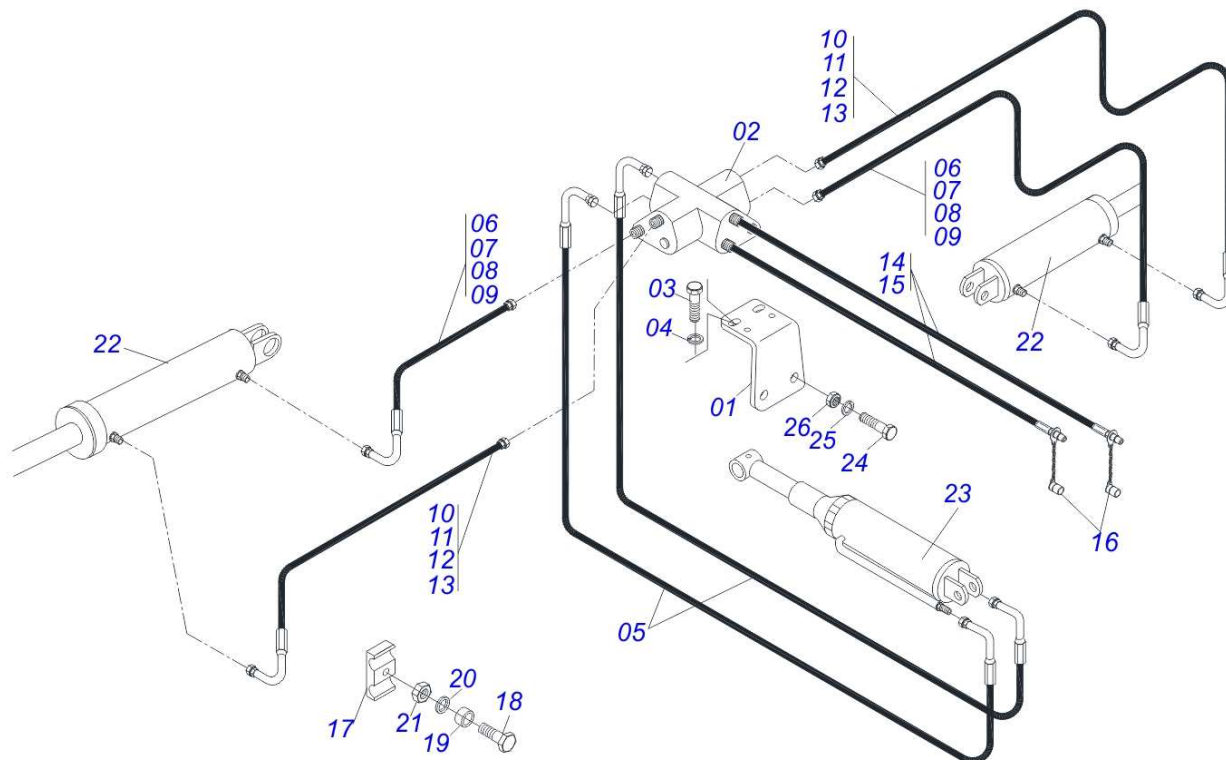
Item	Code	Description	See page	CT LG
00	0511044549	18" COULTER BLADE ASSY FOR SHORT ROW		01 00
00.	0511044573	18" COULTER BLADE ASSY FOR LONG ROW		00 01
01	0511067045	SHORT WHIT BEATER BLADE DISC FIX AXLE		01 00
02	0511067044	LONG WHIT BEATER BLADE DISC FIX AXLE		00 01
03	0502012368	BLADE DISC SUPPORT AXLE		01 01
04	0503010361	SPRING PIN		01 01
05	0521014137	RIGHT ARM OF THE BLADE DISC		01 01
06	0521014138	SUPPORT ARM LEFT BALDE DISC		01 01
07	0501067323	SPRING REGULATOR		01 01
08	0521010452	SLEEVE		01 01
09	0503013185	3/4" X 5-1/2" BOLT		01 01
10	0503011442	3/4" SPRING WASHER		01 01
11	0503010014	3/4" NUT		03 03
12	0502020393	SPRING UPPER SUPPORT		01 01
13	0502020394	SPRING SUPPORT		01 01
14	0503031341	2.7 X 8 X 0.5 COMPRESSION SPRING		01 01
15	0521015376	DUST CLOAK		02 02
16	0502011562	DC PST ACT/ULTR BOX		01 01
17	0503010276	6206 BALL BEARING		02 02
18	0521013610	BLADE DISC HUB AXLE		01 01
19	0521013510	3/4" NUT		02 02
20	0503011438	SPRING WASHER		02 02
21	0511015346	FLAT WASHER		02 02
22	0503012417	SEAL		02 02
23	0503011800	SEAL RING		02 02
24	0503010691	1/4" GREASE FITTING		01 01
25	0603026013	PLAIN COULTER BLADE		01 01
26	0502020641	BLADE DISC FLANGE		01 01
27	0503010371	5/16" X 1" BOLT		06 06
28	0503011444	SPRING WASHER		06 06
29	0503010337	5/16" NUT		06 06



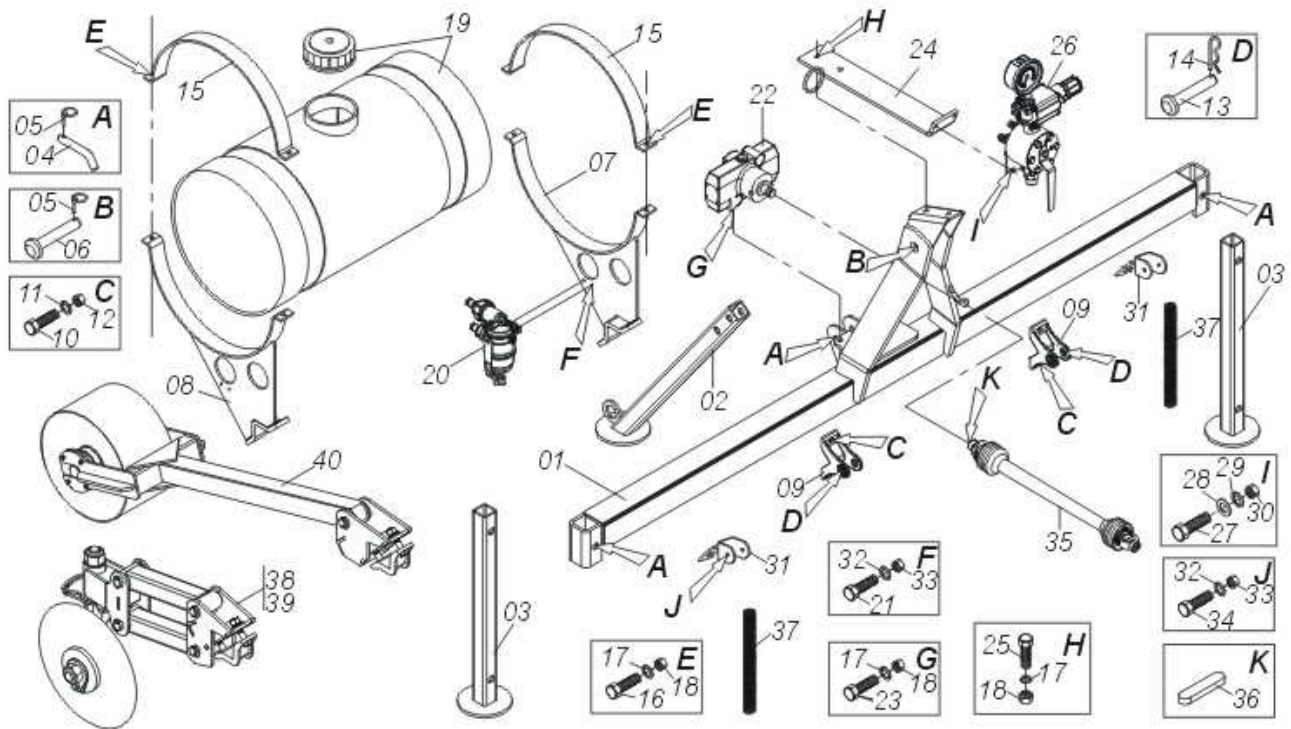
PST3/SUPREMA
BLADE DISC ASSY

Page 30
0909092926

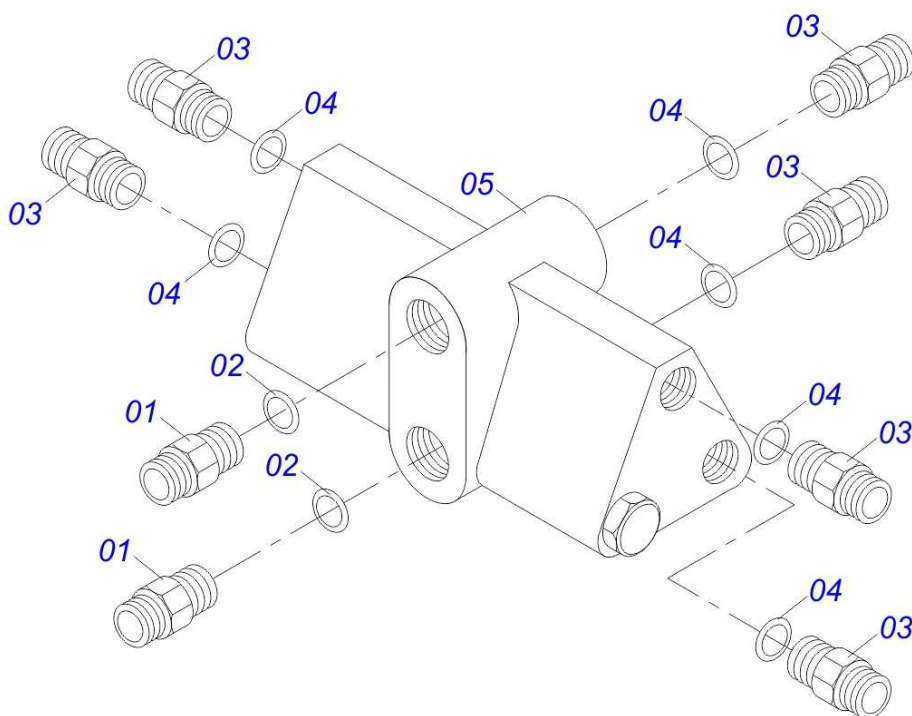
Item	Code	Description	See page	CT LG
30	0503010003	1845 GREASE FITTING		01 01
31	0511016156	5/8" X 1.1/2" BOLT		02 02
32	0541018684	FLAT WASHER		01 01



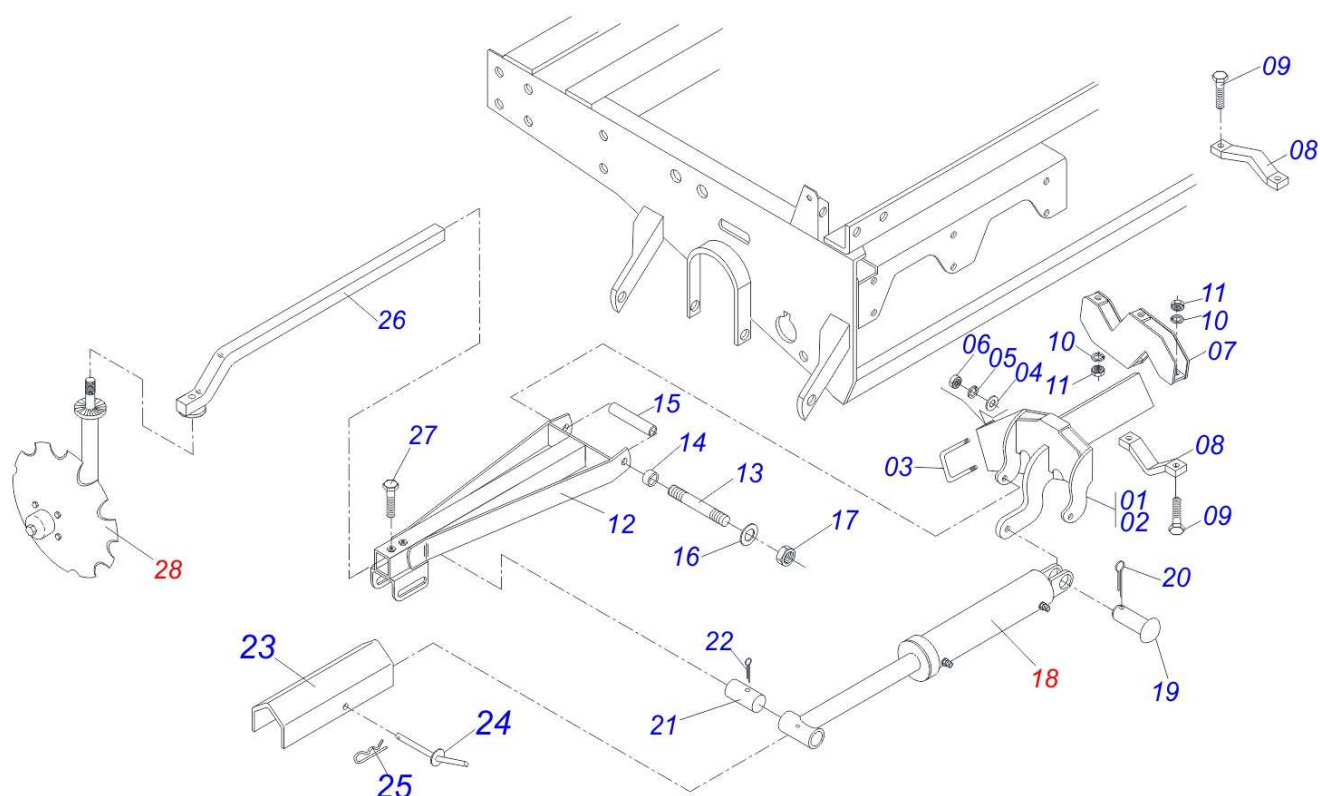
Item	Code	Description	See page	08	09	10	12
01	0511011311	VALV. SUPPORT		01	01	01	01
02	0501044565	VDFS002 SEQUENCE VALVE	34	01	01	01	01
03	0503010256	3/8" X 3/4" BOLT		02	02	02	02
04	0503010025	3/8 SPRING WASHER		02	02	02	02
05	0501080464	3/8" X 37.4" TC-TC HOSE ASSY		02	02	02	02
06	0501080451	3/8" X 94.5" TR-TC HOSE ASSY		02	02	02	02
07	0501080401	3/8" X 106" TR-TC HOSE ASSY		00	02	00	00
08	0501080414	3/8" X 110.2" TR-TC HOSE ASSY		00	00	02	00
09	0501080392	3/8" X 3300 TR-TC HOSE		00	00	00	02
10	0501080382	3/8" X 102" TR-TC HOSE ASSY		02	00	00	00
11	0501080526	3/8" X 114" TR-TC HOSE ASSY		00	02	00	00
12	0501080397	3/8" X 120" TR-TC HOSE ASSY		00	00	02	00
13	0501080720	3/8" X 137" TR-TC HOSE ASSY		00	00	00	02
14	0501080553	3/8" X 126" TC-TM HOSE ASSY		02	02	00	00
15	0501080365	3/8" X 137" HOSE		00	00	02	02
16	0501053834	MALE QUICK COUPLING AGRICULTURAL WITH COVER - 1/2 NPT		02	02	02	02
17	0502010477	UPPER CLIP		04	04	04	04
18	0503010740	1/2" X 2" BOLT		04	04	04	04
19	0521011110	0.7" X .5" X 0.4" SPACER		04	04	04	04
20	0503010019	1/2" SPRING WASHER		04	04	04	04
21	0503010060	1/2" NUT		04	04	04	04
22	0511040203	1.5" X 2.5" X 19" X 9" HYDRAULIC CYLINDER	10	02	02	02	02
23	0501049849	2.0" X 4.5" X 25.8" HYDRAULIC CYLINDER	3	01	01	01	01
24	0503010232	5/8" X 1.3/4" BOLT		02	02	02	02
25	0503010027	SPRING WASHER		02	02	02	02
26	0503010013	5/8" NUT		02	02	02	02



Item	Code	Description	See page
09	0503010481	BOLT	04
10	0503010026	3/8" NUT	04
12	0503010073	3/8 X 3-1/2 COTTERPIN	02
14	0503010073	3/8 X 3-1/2 COTTERPIN	02
17	0503010290	SELF ADJUSTING 1.1/2" UNF NUT	01
21	0503010073	3/8 X 3-1/2 COTTERPIN	02
23	0503010073	3/8 X 3-1/2 COTTERPIN	02
24	0501010888	1.3/4" 2.5/16" CASTLE NUT	02
28	0501010276	1" X 3" BOLT	12
29	0503010012	1" SPRING WASHER	12
30	0501010059	1.5/8 NUT	12
31	0501010500	3/4"X3"BOLT	32
32	0501010322	FLAT WASHER	32
33	0503010023	SPRING WASHER	64
34	0503010014	3/4" NUT	32
35	0501010100	5/8 UNC X 2 C S G.5 BOLT	06
36	0503010027	SPRING WASHER	06
37	0503010013	5/8" NUT	06
38	0551014239	FIXER LOCK HOSE	02
39	0551014238	FIXER UPPER HOSE	02
40	0551014408	SLEEVE 50,5 X 63 X 60	02
41	0503010375	5/16" X 1-1/4" BOLT	02
42	0503010751	C3/8" X 1.1/4" HEX BOLT G.5	04
43	0503010025	3/8 SPRING WASHER	04



Item	Code	Description	See page	QT
01	0501010617	3/4" NIPPLE		02
02	0503010190	2-114 N 3006-9B O'RING		02
03	0501012109	3/4" X 9/16" NIPPLE		06
04	0503011036	2-111 N 3006-9B O'RING		06
05	0503060132	VDFS-002 T SEQUENCCEL VALVE		01



Item	Code	Description	See page	QT
01	0511062982	RH LARGER SUPPORT		01
02	0511062983	LH LARGER SUPPORT		01
03	0521014021	1/2" X 4.5" X 5.4" FASTENER		02
04	0511017302	FLAT WASHER		04
05	0503010019	1/2" SPRING WASHER		04
06	0503010060	1/2" NUT		04
07	0511062984	ROW MARKER SMALLER SUPPORT		02
08	0502010175	HITCH CLAMP		04
09	0501010216	3/4" X 4-1/2" BOLT		08
10	0503010023	SPRING WASHER		08
11	0503010014	3/4" NUT		08
12	0501069470	ROW MARKER ARM		02
13	0521017686	5/8 UNF X 5/8 UNF X 335 PRISONER		02
14	0521010479	SLEEVE ARTICULATION		04
15	0521017687	SPACING SLEEVE		02
16	0501012140	FLAT WASHER		04
17	0503012795	5/8" HEX SELF ADJUSTING NUT		04
18	0511040203	1.5" X 2.5" X 19" X 9" HYDRAULIC CYLINDER	10	02
19	0521010574	C0.9" X 3.3" COUPLING SHAFT		02
20	0503010571	1/4" X 1.1/2" COTTERPIN		02
21	0511015779	1" X 4.2" AXLE		02
22	0503010523	1/4" X 2" COTTERPIN		02
23	0511017592	11.8" X 1.6" TRANSPORT LOCK		02
24	0501068994	0.3" X 3.1" LOCK PIN		02
25	0503030168	HAIR PIN		02
26	0501069643	890 TURNBUCKLE		02
27	0503010962	5/8" X 1-1/4" BOLT		04
28	0501050633	MARKER DISC ASSY LINE	4	02



MARCHESAN IMPLEMENTOS E MÁQUINAS AGRÍCOLAS TATU S.A.

AV. Marchesan, 1979 - Post office box, 131 - CEP 15994-900 - Matão - SP - Brazil

Phone +55 16.3382-8282

(FAX Parts) + 55 16.3382. 8297 - (Export) + 55 16.3382.1003

e.mail: tatu@marchesan.com.br www.marchesan.com.br

Technical Publications: Elaboration
JOSÉ DOMINGOS GASPARI

Contact Catálogo:
E-mail = jgaspari@marchesan.com.br

**ORIGINAL PARTS
TATU**

