

PARTS CATALOGUE



OFFSET DISK HARROW

Code:

0501090801

Product:

GOCW 7010



Series:

S-1006

Revision:

00

Date Revision:

MAIO/2016



PRODUCTS

Code	Description
0102250189	GOCW 7010 48X30X7,5 DM MT FF S1006
0102250188	GOCW 7010 48X30X7,5DMMTFFS/PN S1006
0102250185	GOCW 7010 56X26X6 DM DR FF S-1006
0102250187	GOCW 7010 56X26X6 DMDRFF S/PN S1006
0102250186	GOCW 7010 56X28X6 DM DR FF S-1006
0102250174	GOCW 7010 56X28X7,5 DM MT FF S-1006
0102250172	GOCW 7010 56X28X7,5DMDRFFS/PN S1006
0102250161	GOCW 7010 56X28X7,5DMMTFFS/PN S1006

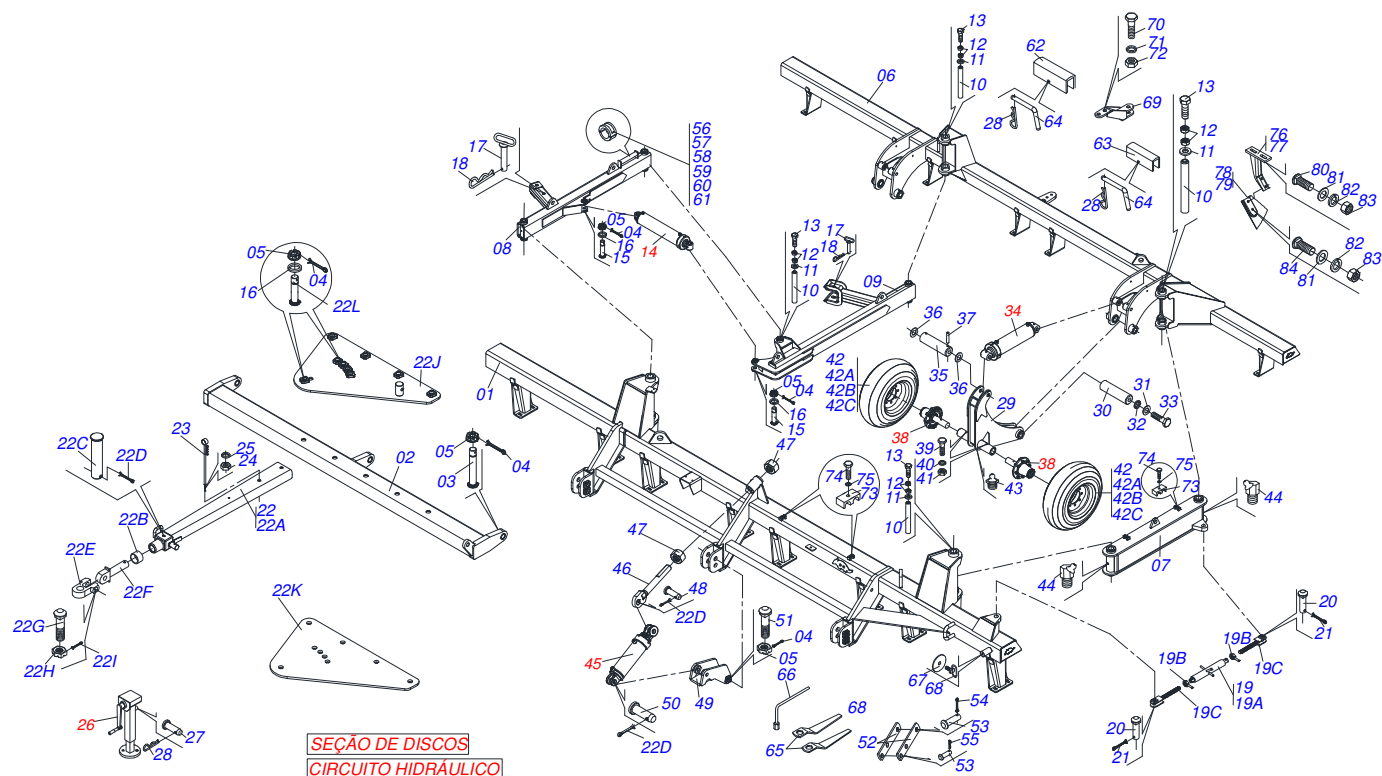
ATTENTION: IMPORTANT

Marchesan S.A. reserves the right to improve and / or modify the technical features of its products, without obligation to do the same with those products already sold and without prior knowledge of the dealer or the consumer.



INDEX

0909093189	FRAME	1
0909093190	STUB SHAFT AND HUB ASSY	2
0909093191	GANG DISC	3
0909093192	HYDRAULIC CIRCUIT - 48/56	4
0511048088	DRAWBAR JACK	5
0501048457	262MM X 1.5/8" RD OIL BATH BEARING	6
0511050114	63,50X150X965X625 HYDRAULIC CYLINDER	7
0511058419	HYDRAULIC CYLINDER 50,80 X 101,60 X 514 X 206	8
0511050113	HYDRAULIC CYLINDER	9



Item	Code	Description	See page	48 56
01	0521064428	FRONT FRAME		01
01.	0511068305	FRONT FRAME		01
02	0521064439	OFFSET BAR		01
02.	0511068301	OFFSET BAR		01
03	0531018099	37,50 X 190 COUPLING SHAFT		03 03
04	0503010010	1/4" X 2.1/2" COTTERPIN		06 06
05	0501011301	1.1/2 UNC 6FPP 2.5/16 NUT		12 12
06	0521064432	REAR FRAME		01
06.	0511068309	REAR FRAME		01
07	0511064660	JOIN		01 01
08	0511068307	FRONT STABILIZER BAR		01 01
09	0511068306	REAR STABILIZER BAR		01 01
10	0521011569	20" COUPLING SHAFT		05 05
11	0521011565	FLAT WASHER		10 10
12	0503013635	1" NUT		20 20
13	0503012660	1" X 4" BOLT		10 10
14	0511050114	63,50X150X965X625 HYDRAULIC CYLINDER	7	01 01
15	0531018100	37,50 X 200 COUPLING SHAFT		02 02
16	0501012916	FLAT WASHER 38,50 X 66 X 4,75 ZN		08 08
17	0501069350	230 PIVOT SHAFT WITH PULL		01 01
18	0503031035	HAIR PIN		01 01
19	0501054606	TURNBUCKLE ASSY		01 01
19A	0511064657	JOIN TURNBUCKLE		01 01
19B	0501069330	LOCKNUT WITH RIGHT HANDLER R 2-1/8		02 02
19C	0501069333	JACK CRANK		02 02
20	0521012868	1.4" X 5" PIVOT SHAFT		02 02
21	0503010534	3/8 X 2-1/2 COTTERPIN		02 02
22	0511041592	DRAWBAR ASSY		01 01
22A	0511064669	DRAWBAR ASSY		01 01
22B	0502040263	ANEL TRAVA ENGATE		01 01
22C	0561017306	COUPLING SHAFT		01 01

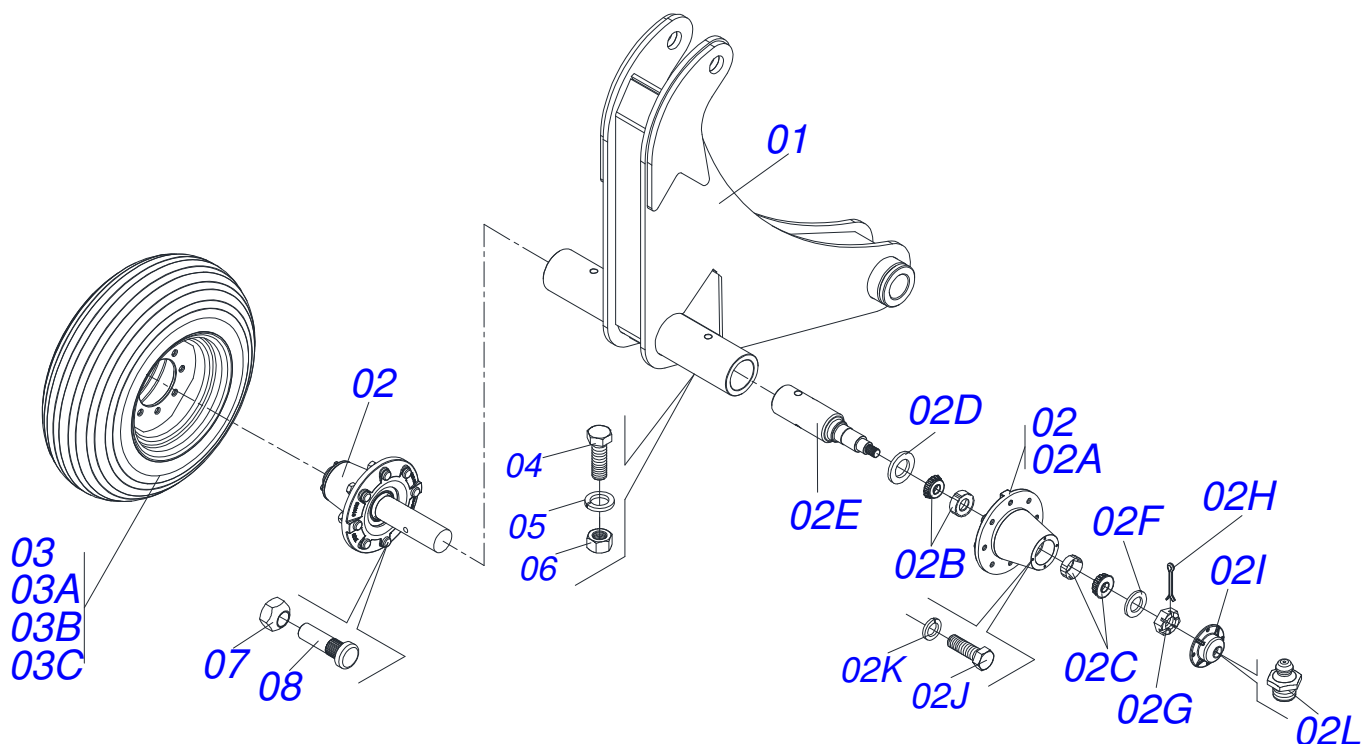
FRAME

Item	Code	Description	See page	48 56
22D	0503010523	1/4" X 2" COTTERPIN		03 03
22E	0502040293	YH-90 CLEVIS		01 01
22F	0502040264	DRAWBOLT		01 01
22G	0502040264	DRAWBOLT		01 01
22H	0502040558	2" CASTLE NUT		01 01
22I	0503010074	3/8 X 0,15" COTTERPIN		01 01
22J	0511064659	UPPER PLATE		01 01
22K	0511064658	LOWER PLATE		01 01
22L	0521011880	37,5 X 242 COUPLING SHAFT		06 06
23	0521062849	HOSE HOLDER ASSY		01 01
24	0503010014	3/4" NUT		01 01
25	0503010023	3/4" SPRING WASHER		01 01
26	0511048088	DRAWBAR JACK	5	01 01
27	0561014251	COUPLING SHAFT		01 01
28	0503030168	HAIR PIN		04 04
29	0511064655	CARRYNG-WHEEL SUPPORT		02 02
30	0531018062	COUPLING SHAFT		02 02
31	0521011565	FLAT WASHER		04 04
32	0503010012	1" SPRING WASHER		04 04
33	0503011250	1" X 2" BOLT		04 04
34	0511050113	HYDRAULIC CYLINDER	9	02 02
35	0531018101	1.2" X 6.3" PIVOT SHAFT		02 02
36	0501017779	32 X 60 X 4.75 FLAT WASHER		04 04
37	0503011877	0.3" X 2.4" SPRING PIN		04 04
38	0501055263	CARRYING-WHEELS		04 04
39	0503010547	1/2" X 4" BOLT		04 04
40	0503010019	1/2" SPRING WASHER		04 04
41	0503010060	1/2" NUT		04 04
42	0503060414	WHEEL AND TIRE		04 04
42A	0503012108	RODA 10 LB X 15 X 8F X 203 GCRO		04 04
42B	0503010860	CAMARA AR 11L 15		04 04
42C	0503011469	RIB TIRE 12L		04 04
43	0503010002	1800 GREASE FITTING		04 04
44	0503010003	1845 GREASE FITTING		02 02
45	0511058419	HYDRAULIC CYLINDER 50,80 X 101,60 X 514 X 206	8	01 01
46	0511064433	REGULATOR SPINDLE 1-3/4		01 01
47	0501010333	1.3/4" NUT		02 02
48	0521012538	1.2" X 3.5" COUPLING SHAFT		01 01
49	0511064656	DRAWBAR PIVOT		01 01
50	0531019171	1.25" X 7" COUPLING SHAFT		01 01
51	0521012053	1.5" X 8.6" AXLE		01 01
52	0541011205	DRAWBAR LOCK SAFETY		02 02
53	0521010573	0.9" X 3.1" COUPLING SHAFT		02 02
54	0503010571	1/4" X 1.1/2 COTTERPIN		01 01
55	0503030012	HAIR PIN		01 01
56	0511042166	2.1/2" ROD STOP ASSY		01 01
57	0511042165	2.1/2" ROD STOP ASSY		01 01
58	0511042164	2.1/2" ROD STOP ASSY		01 01
59	0511042163	2.1/2" ROD STOP ASSY		01 01
60	0511042162	2.1/2" ROD STOP ASSY		01 01
61	0511042161	2.1/2" ROD STOP ASSY		01 01
62	0551010332	TRANSPORT LOCK		01 01
63	0561016693	TRANSPORT LOCK		02 02
64	0541016844	FIXER LOCK		03 03
65	0501011431	1-3/4" GANG BOLT WRENCH		02 02
66	0501011432	1-1/2" AND 1-5/8 GANG BOLT WRENCH		01 01
67	0521011722	FLAT WASHER		01 01
68	0501069343	WRENCH FIXER		01 01
69	0511064810	REAR HITCH		01 01

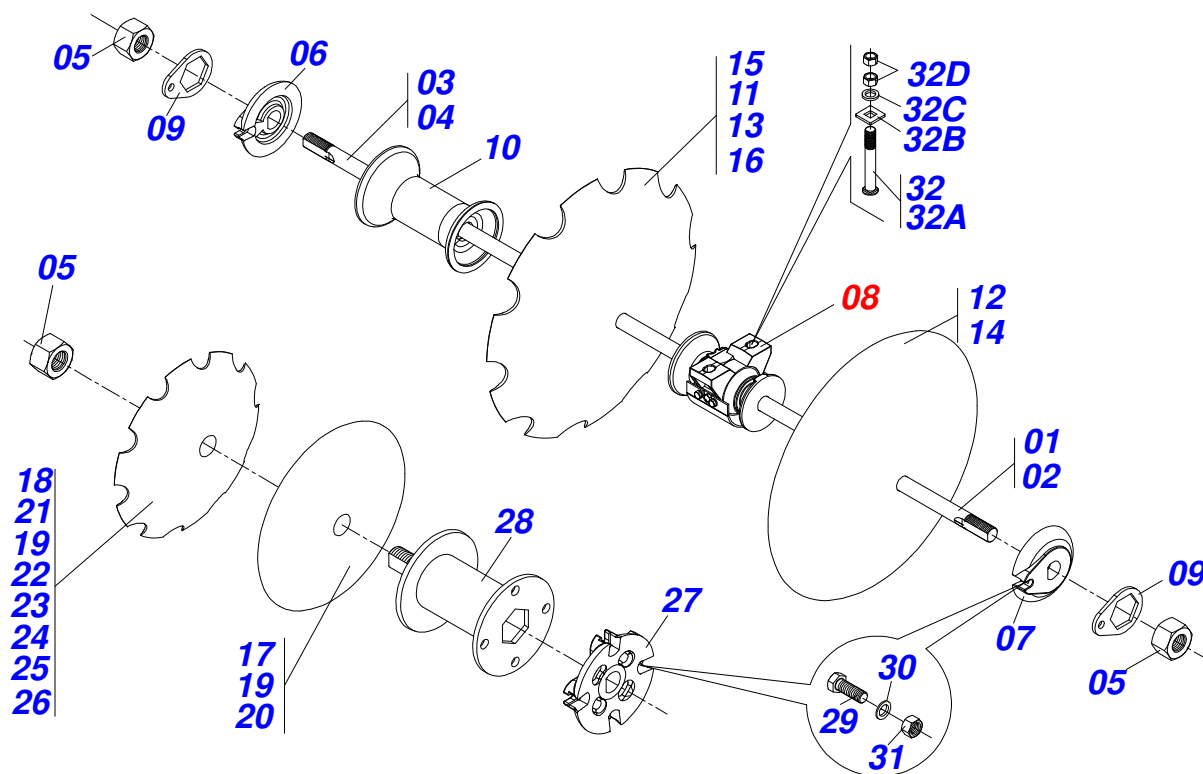


FRAME

Item	Code	Description	See page	48 56
70	0503011346	7/8" X 3-1/2" BOLT		02 02
71	0503010408	7/8" SPRING WASHER		02 02
72	0503010417	7/8" NUT		02 02
73	0502012702	BODY SUPPORT CLAMP		07 07
74	0503012555	SCREW 7/16 UNC X 2 CS RT G.7 ZN		07 07
75	0503010180	7/16" SPRING WASHER		07 07
76	0511065925	REAR SCRAPER SUPPORT		25 29
77	0511065926	FRONT SCRAPER SUPPORT		24 28
78	0541013461	FRONT SCRAPER SHOVEL		24 28
79	0541013463	REAR SCRAPER SHOVEL		25 29
80	0503013842	5/8" UNC X 1-3/4" BOLT		98 114
81	0501012140	FLAT WASHER		115 131
82	0503010027	5/8" SPRING WASHER		119 135
83	0503010013	5/8" NUT		196 228
84	0503012195	5/8" NUT		98 114



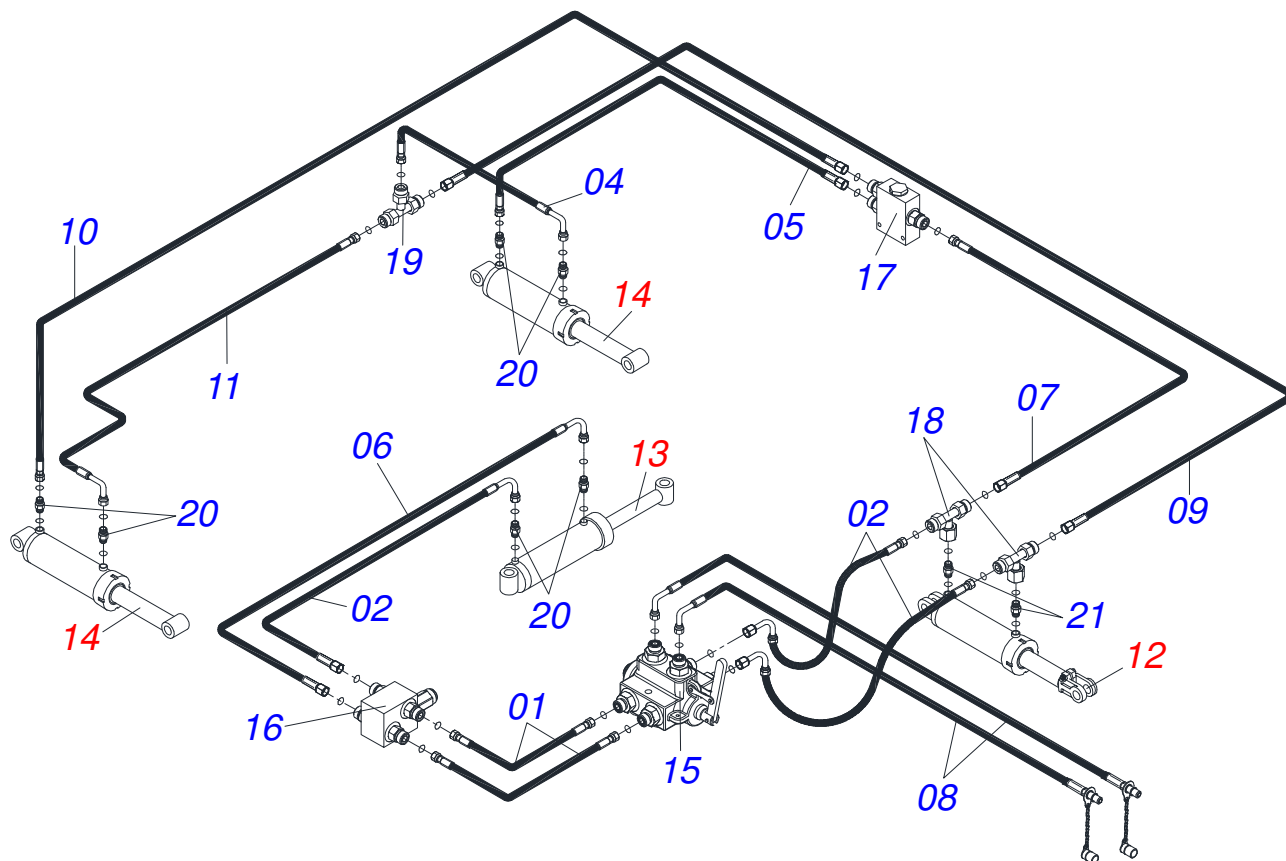
Item	Code	Description	See page	QT
01	0511064655	CARRYNG-WHEEL SUPPORT		01
02	0501055263	CARRYING-WHEELS		02
02A	0501110738	CARRYING WHEEL HUB		02
02B	0503010008	ROLAMENTO 3780/37203		02
02C	0503014821	ROLLER BEARING		02
02D	0503013314	RETENTOR 5166-GB 63,5 X 110 X 13 ARCA		02
02E	0511012494	SPINDLE		02
02F	0511012492	ARRUELA LISA 28 X 46 X 6,30		02
02G	0503030009	1" CASTLE NUT		02
02H	0503010018	5/32 X 1-1/2 COTTERPIN		02
02I	0502020591	PROTECCION COVER		02
02J	0503011444	SPRING WASHER		08
02K	0503010358	5/16" X 5/8" BOLT		08
02L	0503010002	1800 GREASE FITTING		02
03	0503060414	WHEEL AND TIRE		02
03A	0503012108	RODA 10 LB X 15 X 8F X 203 GCRO		02
03B	0503010860	CAMARA AR 11L 15		02
03C	0503011469	RIB TIRE 12L		02
04	0503010547	1/2" X 4" BOLT		02
05	0503010019	1/2" SPRING WASHER		02
06	0503010060	1/2" NUT		02
07	0503010064	5/8 UNF CONIC NUT		16
08	0501010186	WHEEL SCREW 5/8UNF X 2.1/8CR		16



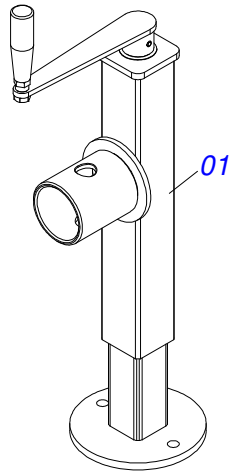
Item	Code	Description	See page	48 56
01	0501046856	1-5/8" X 59" AXLE WITH NUTS 2-3/4"		08
02	0501046859	1-5/8" X 70" AXLE WITH NUTS 2-3/4"		08
03	0501019012	1-5/8" X 59" AXLE		08
04	0501015631	1-5/8" X 70" AXLE		08
05	0502040640	1.5/8" 2.3/4" NUT		16 16
06	0502011047	1-5/8" INNER AXLE WASHER		08 08
07	0502011048	1-5/8" EXTERNAL AXLE WASHER		08 08
08	0501048457	262MM X 1.5/8" RD OIL BATH BEARING	6	16 16
09	0511014339	1-5/8" 2.8" NUT LOCK		16 16
10	0502010703	10.35" 1-5/8" SPACER		24 32
11	0602040155	30 X 7,5 NOTCHED DISC BLADE		24
12	0601042040	30 X 0,3" PLAIN DISC BLADE		22
13	0602037006	DR28X7,5 C102AF04FR1.11/16 10R TATU		26 28
14	0601039053	28" X 0.3" PLAIN DISC BLADE		01 26
15	0602037004	28" X 0.2" NOTCHED DISC BLADE		26
16	0602033005	26" X 0.2" NOTCHED DISC BLADE		28
17	0601033065	DL26X7,5 C90AF04FR1.11/16 TATU		01
18	0602030444	DR24X7,5 C66AF02FR1.11/16 3RECTATU		01
19	0601033005	26" X 0.2" PLAIN DISC BLADE		01
20	0601030005	24" X 0.2" PLAIN DISC BLADE		01
21	0602029360	DR22X6 C69AF02FR1.11/16 03REC TATU		01
22	0602033067	26" X 7.5 NOTCHED DISC BLADE		01
23	0602030236	24" X 7,5 NOTCHED DISC BLADE		01
24	0602030005	24" X 0.2" NOTCHED DISC BLADE		01
25	0602029039	DR22X6 C74AF02FR42.86 10REC ROME		01
26	0602027350	DR20X6 C50AF02FR1.11/16 3REC TATU		01
27	0502012377	1-5/8" EXTERNAL AXLE LOK		01
28	0511067146	10.35" AXLE 1-5/8" SPACER		01
29	0503010232	5/8" X 1.3/4" BOLT		32 32
30	0503010027	5/8" SPRING WASHER		32 32
31	0503012412	5/8 UNC SELF LOCKING NUT		32 32



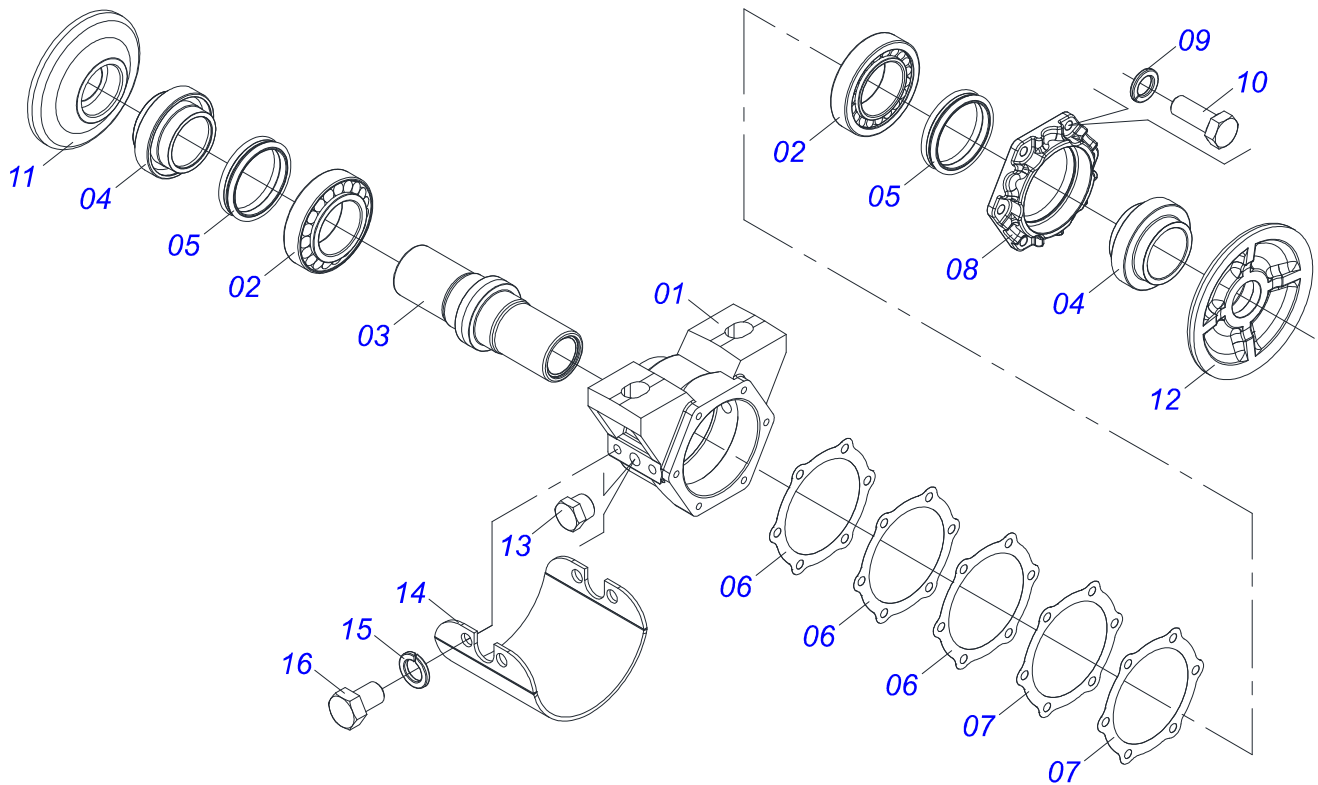
Item	Code	Description	See page	48 56
32	0501041925	3/4" X 3-1/2" BOLT ASSY		32 32
32A	0501010950	3/4" X 3-1/2" BOLT		32 32
32B	0501010949	3/4" SQUARE WASHER		32 32
32C	0501010322	FLAT WASHER		32 32
32D	0503010014	3/4" NUT		32 32



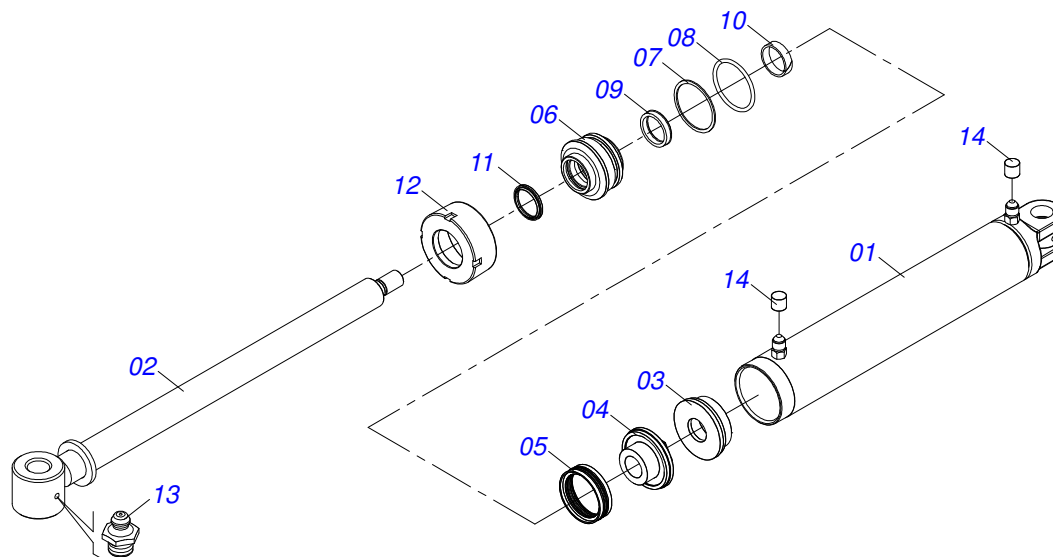
Item	Code	Description	See page	QT
01	0501081084	HOSE		02
02	0501080971	1/2" X 33.46" TR-TC HOSE ASSY		02
03	0501080985	1/2" X 47.24" TR-TC HOSE ASSY		01
04	0501080986	1/2" X 55.12" TR-TC HOSE ASSY		01
05	0501080987	1/2 X 59.06" TR-TR HOSE ASSY		01
06	0501080988	1/2 X 77" TR-TC HOSE ASSY		01
07	0501080990	1/2 X 185" TR-TR HOSE ASSY		01
08	0501081017	1/2" X 196.85" TC-TM HOSE ASSY		02
09	0501080918	1/2" X 212" TR-TR HOSE ASSY		01
10	0501080993	1/2 X 205" TR-TR HOSE ASSY		01
11	0501081219	1/2 X 5700MM TR-TC HOSE ASSY		01
12	0511058419	HYDRAULIC CYLINDER 50,80 X 101,60 X 514 X 206	8	01
13	0511050114	63,50X150X965X625 HYDRAULIC CYLINDER	7	01
14	0511050113	HYDRAULIC CYLINDER	9	02
15	0511043139	VALVE ASSY		01
16	0501055696	DISCHARGE VALVE OFS ASSY		01
17	0501055695	FLOW DIVIDING VALVE ASSY		01
18	0503013272	T 1/2" MALE ADAPTER ASSY		02
19	0503013273	T 1/2" MALE ADAPTER		01
20	0503030923	3/4" UNF X 13/16UN OFS X 40 NIPPLE		06
21	0503032031	3/4" UNF REDUCTION NIPPLE		02



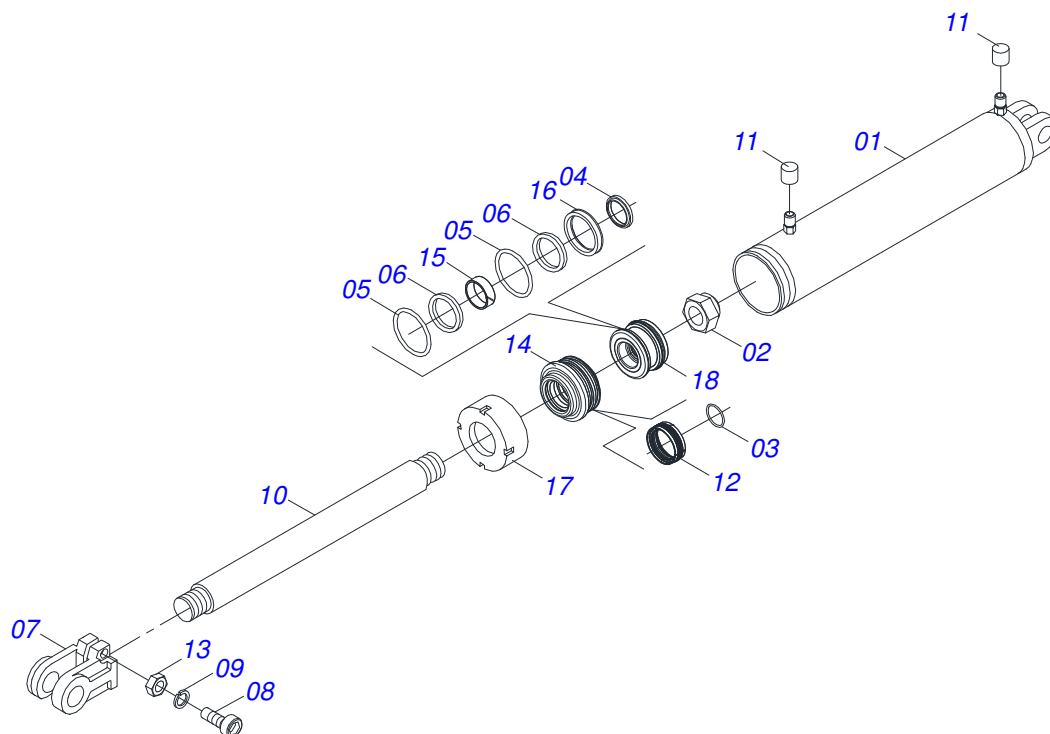
Item	Code	Description	See page	QT
01	0503062227	DRAWBAR JACK		01



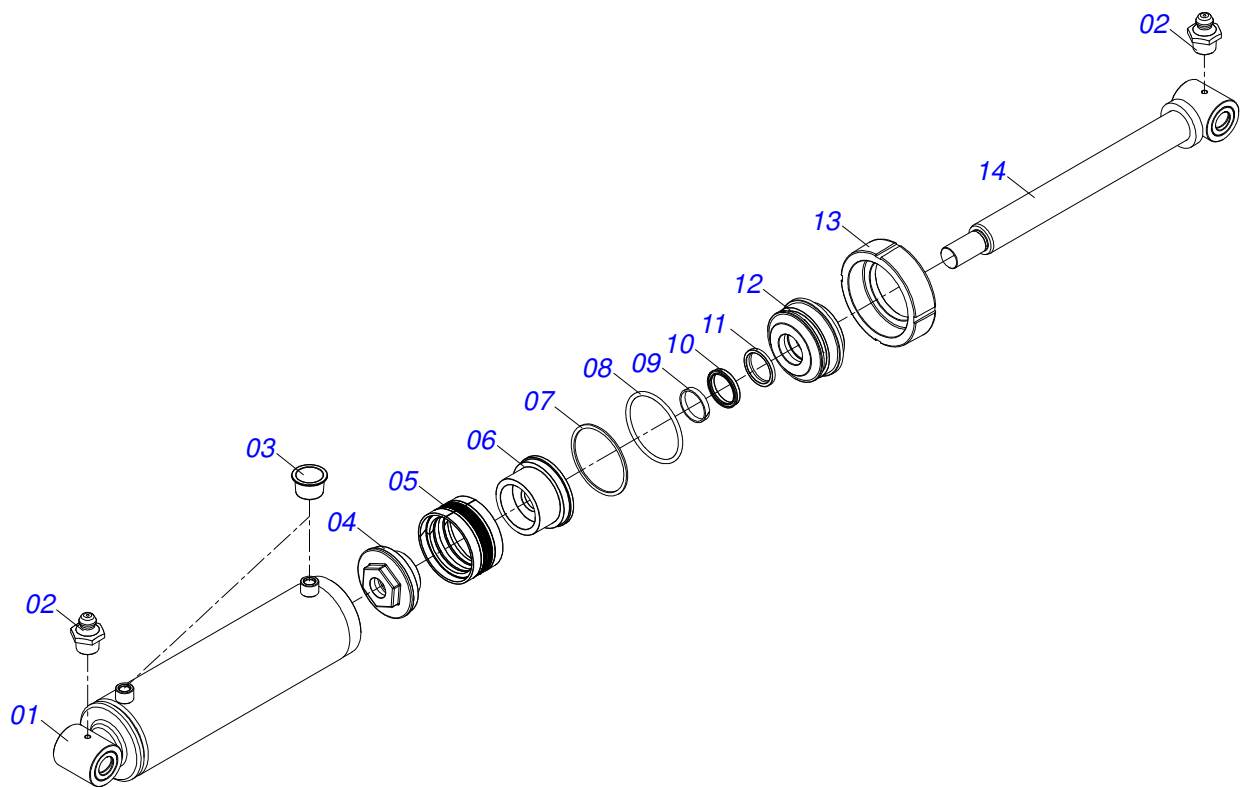
Item	Code	Description	See page	QT
01	0502020636	8.8" X 1-5/8" OIL HOUSING BEARING		01
02	0503013496	3982/3920 ROLLER BEARING		02
03	0502010740	AXLE TK		01
04	0502010736	SEAL RETAINER		02
05	0503030027	DUO-CONE SEAL		02
06	0503030030	5.6" X 4.4" X 0.01" GASKET		03
07	0503030685	5.5" X 4.4" X 0.003" GASKET		02
08	0502020161	WEAR PLATE BEARING		01
09	0503011443	3/8" SPRING WASHER		06
10	0503010237	3/8" X 1" BOLT		06
11	0502040240	INNER FLANGE		01
12	0502040239	OUTER FLANGE		01
13	0503010856	OIL PLUG		02
14	0521012933	BEARING WEAR PLATE		01
15	0503010019	1/2" SPRING WASHER		04
16	0503011401	1/2" X 3/4" BOLT		04



Item	Code	Description	See page	QT
001	0511065049	6" X 31" CYLINDER CASE		01
002	0511065050	2.5" X 34" TURNBUCLE		01
003	0561016818	PISTON BODY		01
004	0502012658	PISTON BODY		01
005	0503015912	SELEMASTER SEALING		01
006	0502012375	TURNBUCLE GUIDE		01
007	0503010704	2-357 N 3006-9B O'RING		01
008	0503010971	W2-2750-500 PK RING G.I		01
009	0503014960	GASKET		01
010	0503012497	RING (TEFLON)		01
011	0503010287	D-2500 SCRAPER RING		01
012	0541010615	6" END CAP		01
013	0503010002	1800 GREASE FITTING		02
014	0503030384	CON PLUG N-001		02



Item	Code	Description	See page	QT
001	0511061336	101,6 X 398 CYLINDER CASE		01
002	0503010817	1.1/4" SELF LOCKING NUT		01
003	0503010345	2-218 N 3006-9B O'RING		01
004	0503015636	SCRAPER SEAL		01
005	0503010338	2-342 N 3006-9B O'RING		02
006	0503011061	8-342 BACK-UP RING		02
007	0502040747	32.54 CLEVIS CLAMP		01
008	0503011094	3/8" X 2" BOLT		01
009	0503011443	3/8" SPRING WASHER		01
010	0521010422	HYDRAULIC CYLINDER TURNBUCKLE		01
011	0503030384	CON PLUG N-001		02
012	0503015633	SELEMASTER SEALING		01
013	0503010026	3/8" NUT		01
014	0581010678	50,80 X 101 RING SUPPORT		01
015	0503018025	RING GUIDE		01
016	0503018026	1870-2000-375 B GASKET		01
017	0502012822	101.60 END CAP		01
018	0502012842	50,80 X 101,60 PISTON		01
019	0511032511R	HYDRAULIC CYLINDER REPAIR KIT		01



Item	Code	Description	See page	QT
01	0521061746	CYLINDER CASE		01
02	0503010002	1800 GREASE FITTING		02
03	0503030384	CON PLUG N-001		02
04	0502012645	PISTON BODY		01
05	0503015643	SEAL		01
06	0561016583	PISTON BODY		01
07	0503011062	8-425 BACK-UP RING		01
08	0503010351	2-425 N 3006-9B O'RING		01
09	0503015641	WEAR RING		00
10	0503015642	U-CUP SEALING		01
11	0503015715	SCRAPER SEALING		01
12	0502012646	RING SUPPORT		01
13	0502010382	5" END CAP		01
14	0521061684	56,98 X 590,50 TURNBUCKLE		01



www.marchesan.com.br



Technical Publications | Elaboration and Revision
JOSÉ DOMINGOS GASPARI