

DOUBLE OFFSET DISK HARROW

GTID - 62D

Code: 0501090770
Series: S-0401
Revision: 00
Date Revision: OUTUBRO/2005

PARTS CATALOGUE



MARCHESAN



PRODUCTS

Code	Description
0102430527	GTID 62 X 26 X 6,00 MT ALQ S-0401
0102430564	GTID 62 X 26 X 6,00 MT ALQ DM S-401

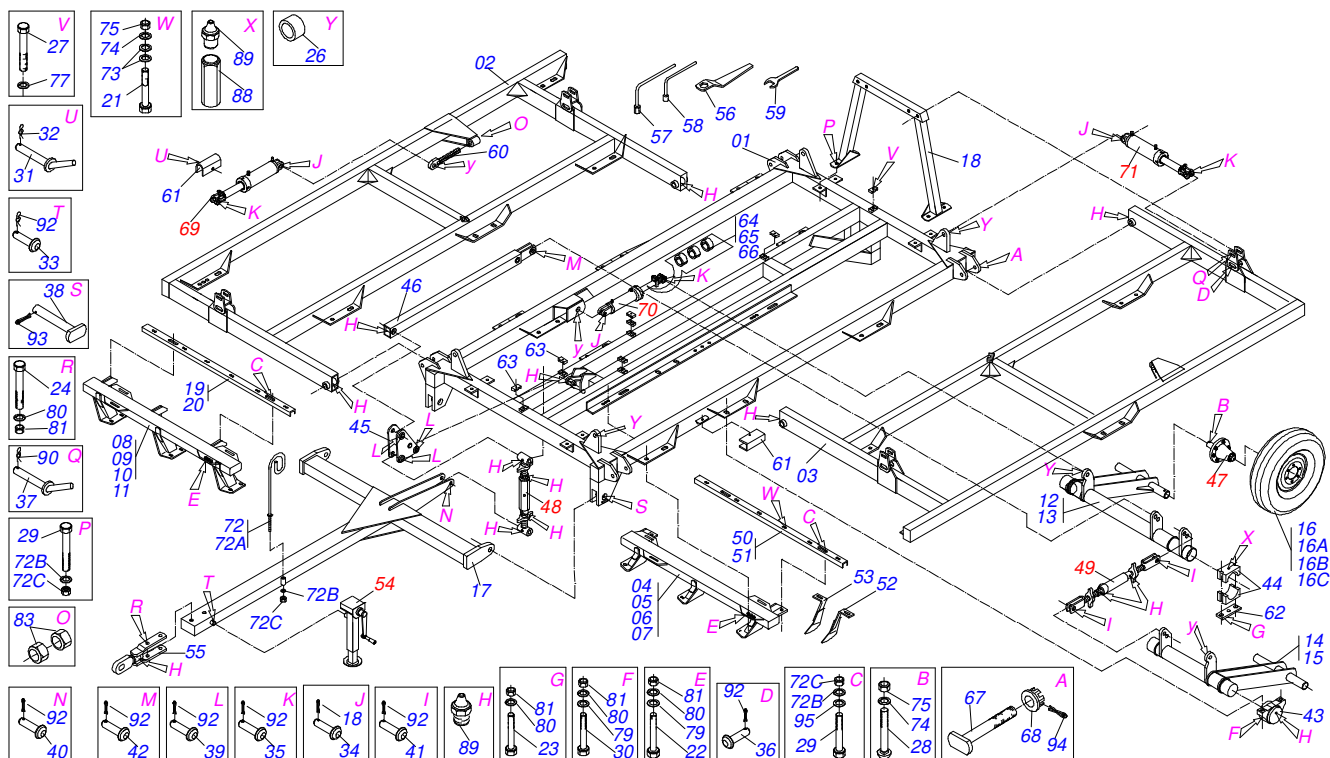
ATTENTION: IMPORTANT

Marchesan S.A. reserves the right to improve and/or modify the technical features of its products, without obligation to do the same with those products already sold and without prior knowledge of the dealer or the consumer. The photos are only illustrative.



INDEX

0909091358	ASSY FRAME	1
0909091361	ASSY FRAME	2
0501045162	ASSEMBLY CARRYING WHEELS ESTABILIZER	3
0501044204	ESTABILIZER ASSY	4
0501049338	HYDRAULIC CYLINDER 44,45 X 85,72 X 515 X 203	5
0511043786	HYDRAULIC CYLINDER 53,98 X 101,6 X 515 X 203 BP	6
0501043265	HYDRAULIC CYLINDER 50,8 X 101,6 X 870 X 610	7
0501051885	CARRYING-WHEELS	8
0511041259	DRAWBAR JACK ASSY	9
0909091360	ASSY GANG DISC	10
0501048457	262MM X 1.5/8" RD OIL BATH BEARING	11
0909091362	GANG DISC	12
0909091359	HIDRAULIC CIRCUIT	13



Item	Code	Description	See page	QT
01	0511062812	FRAME CENTRAL GTID 62 S-0401		01
02	0511062813	FRAME CENTRAL GTID 62 S-0401		01
03	0511062814	FRAME SIDE LEFT GTID 62 S-0401		01
04	0511063727	RIGHT FRONT CENTRIC FRAME		01
05	0511063728	LEFT FRONT CENTRAL FRAME		01
06	0511063729	RIGHT CENTRAL REAR FRAME		01
07	0511063730	LEFT CENTRAL REAR FRAME		01
08	0511063731	LEFT CENTRAL REAR FRAME		01
09	0511063732	LEFT SIDE REAR FRAME		01
10	0511063733	RIGHT REAR FRAME		01
11	0511063734	RIGHT SIDE REAR FRAME		01
12	0511062825	RH CENTRAL CARRYING-WHEELS SUPPORT		01
13	0511062826	LH CENTRAL CARRYING-WHEELS SUPPORT		01
14	0511062827	RH CARRYING-WHEELS SUPPORT		01
15	0511062828	LH SIDE CARRYING-WHEELS SUPPORT		01
16	0503060091	L29.5"X0.63"-10L WHEEL AND		08
16A	0503010893	WHEEL		01
16B	0503010033	7.50 X 16 INNER TIRE		01
16C	0503010120	CANVAS TIRE		01
17	0501066067	DRAWBAR		01
18	0501066242	BEATER CENTRAL		02
19	0531012394	2050 BAR FIXER SCRAPER		02
20	0531012395	2860 BAR FIXER SCRAPER		02
21	0503011082	C1/2" X 1.3/4" SCREW		124
22	0501040877	C1" X 3-1/4" ASSY BOLT		32
23	0501042309	1" X 9" AR ASSY BOLT		02
24	0501041894	1" X 7" ASSY BOLT		02
25	0503010237	3/8" X 1" BOLT		02
26	0511019921	1.3" X 0.1" X 1" SLEEVE		12
27	0503010751	C3/8" X 1.1/4" HEX BOLT G.5		04
28	0503010547	1/2" X 4" BOLT		08



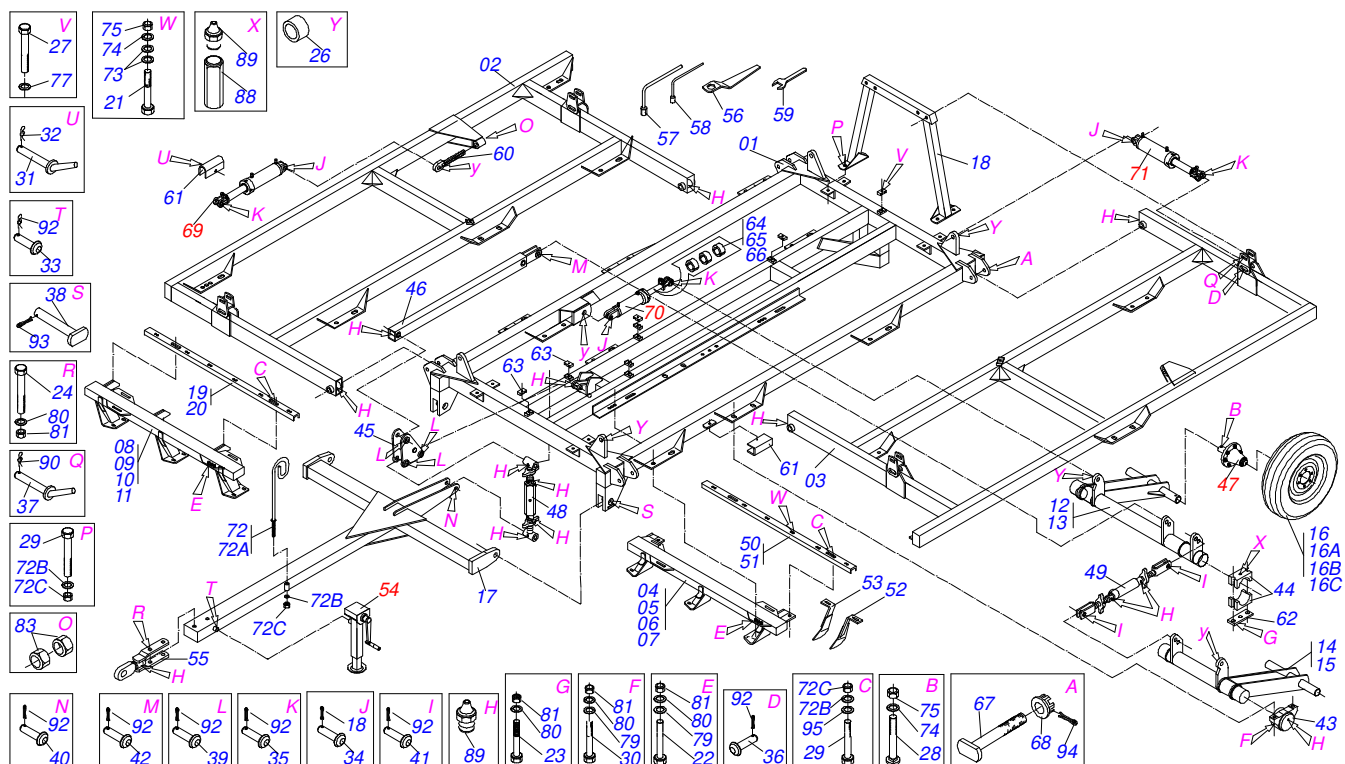
GTID - 62D
ASSY FRAME

Item	Code	Description	See page	QT
29	0501010098	3/4" UNC BOLT		28
30	0503011432	BOLT		14
31	0501068994	0.3" X 3.1" LOCK PIN		02
32	0503030168	HITCH PIN CLIP		03
33	0521010549	COUPLING SHAFT		01
34	0521010910	COUPLING SHAFT		04
35	0521012538	1.2" X 3.5" COUPLING SHAFT		08
36	0521010547	1.2" X 6.5" COUPLING SHAFT		04
37	0501066318	LOCK PIN 3/4 X 150 ZN		04
38	0521010620	1.5" X 4.6" COUPLING SHAFT		02
39	0501019719	1.1/4" X 155MM COUPLING SHAFT		03
40	0521010546	1.2" X 5.7" COUPLING SHAFT		01
41	0521010778	1.25" X 3.15" COUPLING SHAFT		02
42	0521010780	1.2" X 4.5" COUPLING SHAFT		01
43	0502010972	ARTICULACION BEARING		07
44	0502010673	BEARING SEMI		02
45	0501065531	ROCKER ARM		01
46	0501067527	STABILIZER BAR		01
47	0501051885	CARRYING-WHEELS	8	08
48	0501044204	ESTABILIZER ASSY	4	01
48A	0502011195	ADJUSTMENT NUT BODY		01
48B	0501064001	RIGHT JACK CRANK		01
48C	0501064002	LEFT JACK CRANK		01
48D	0541018672	COUNTERNUT		01
48E	0541018673	COUNTERNUT		01
48F	0503010002	1800 GREASE FITTING		02
49	0501045162	ASSEMBLY CARRYING WHEELS ESTABILIZER	3	01
49B	0501066930	LEFT TURNBUCKLE		01
49C	0501066931	RIGHT TURNBUCKLE		01
50	0531012392	BAR FIX SCRAPER 1390		02
51	0531012393	1510 BAR FIX SCRAPER		02
52	0501067197	LH FRONT/RH REAR SCRAPER		31
53	0501067198	RH FRONT/LH REAR SCRAPER		31
54	0511041259	DRAWBAR JACK ASSY	9	01
55	0501065901	TRACTOR HITCH		01
56	0501011431	1-3/4" GANG BOLT WRENCH		02
57	0501061045	1" WRENCH CYLINDRICAL		01
58	0501061609	3/4" WRENCH CABLE CYLINDRICAL		01
59	0511010153	2-5/16" FIXED WRENCH		01
60	0501063989	HYDRAULIC CYLINDER REGULATOR		02
61	0511010839	TRANSPORT LOCK 7.9" X 2.1" X 0.4"		02
62	0501015593	SUPPORT PLATE		01
63	0502010477	HOSE CLAMP		12
64	0501043620	0.98" ROD STOP FOR 2" CYLINDER		02
65	0501043694	1.18" ROD STOP FOR 2" CYLINDER		02
66	0501043695	1.6" ROD STOP FOR 2" CYLINDER		02
67	0511010703	PIVOT SHAFT		04
68	0501011301	1.1/2 UNC 6FPP 2.5/16 NUT		04
69	0501049338	HYDRAULIC CYLINDER 44,45 X 85,72 X 515 X 203	5	02
70	0511043786	HYDRAULIC CYLINDER 53,98 X 101,6 X 515 X 203	6	02
		BP		
71	0501043265	HYDRAULIC CYLINDER 50,8 X 101,6 X 870 X 610	7	04
72	0501040257	3/4 X 1200 HOSE HOLDER A		01
72A	0501013935	HOSE HOLDER		01
72B	0503010023	3/4" SPRING WASHER		29
72C	0503010014	3/4" NUT		30
73	0511017302	FLAT WASHER		144
74	0503010019	1/2" SPRING WASHER		152
75	0503010060	1/2" NUT		152



GTID - 62D
ASSY FRAME

Item	Code	Description	See page	QT
76	0501010984	FLAT WASHER		02
77	0503010025	3/8" SPRING WASHER		10
78	0503010026	3/8" NUT		02
79	0501011445	FLAT WASHER		14
80	0503010012	1" SPRING WASHER		14
81	0501010059	1.5/8 NUT		14
82	0501017779	32 X 60 X 4.75 FLAT WASHER		08
83	0501010110	1.1/2" NUT		04
84	0503010023	3/4" SPRING WASHER		08
85	0503010014	3/4" NUT		08
86	0503010027	5/8" SPRING WASHER		16
87	0503010013	5/8" NUT		16
88	0503030534	EXTENSION GREASE FITTING		02
89	0503010002	1800 GREASE FITTING		20
90	0503030012	HITCH PIN CLIP		04
91	0503010571	1/4" X 1.1/2 COTTERPIN		04
92	0503010523	1/4" X 2" COTTERPIN		19
93	0503010534	3/8 X 2-1/2 COTTERPIN		06
94	0503010010	1/4" X 2.1/2" COTTERPIN		04
95	0501010322	FLAT WASHER		28



Item	Code	Description	See page
01	0511062812	FRAME CENTRAL GTID 62 S-0401	01
02	0511062813	FRAME CENTRAL GTID 62 S-0401	01
03	0511062814	FRAME SIDE LEFT GTID 62 S-0401	01
04	0511062815	RIGHT FRONT CENTRIC FRAME	01
05	0511062816	LEFT FRONT CENTRAL FRAME	01
06	0511062817	RIGHT CENTRAL REAR FRAME	01
07	0511062818	LEFT CENTRAL REAR FRAME	01
08	0511062819	RIGHT CENTRAL REAR FRAME	01
09	0511062820	LEFT CENTRAL REAR FRAME	01
10	0511062821	RIGHT REAR FRAME	01
11	0511062822	LEFT SIDE REAR FRAME	01
12	0511062825	RH CENTRAL CARRYING-WHEELS SUPPORT	01
13	0511062826	LH CENTRAL CARRYING-WHEELS SUPPORT	01
14	0511062827	RH CARRYING-WHEELS SUPPORT	01
15	0511062828	LH SIDE CARRYING-WHEELS SUPPORT	01
16	0511019921	1.3" X 0.1" X 1" SLEEVE	12
17	0501066067	DRAWBAR	01
18	0501066242	BEATER CENTRAL	02
19	0531012394	2050 BAR FIXER SCRAPER	02
20	0531012395	2860 BAR FIXER SCRAPER	02
21	0503011082	C1/2" X 1.3/4" SCREW	124
22	0501040877	C1" X 3-1/4" ASSY BOLT	32
23	0501042309	1" X 9" AR ASSY BOLT	02
24	0501041894	1" X 7" ASSY BOLT	02
25	0503010237	3/8" X 1" BOLT	02
26	0503010010	1/4" X 2.1/2" COTTERPIN	04
27	0503010751	C3/8" X 1.1/4" HEX BOLT G.5	04
28	0503010547	1/2" X 4" BOLT	08
29	0501010098	3/4" UNC BOLT	28
30	0503011432	BOLT	14
31	0501068994	0.3" X 3.1" LOCK PIN	02

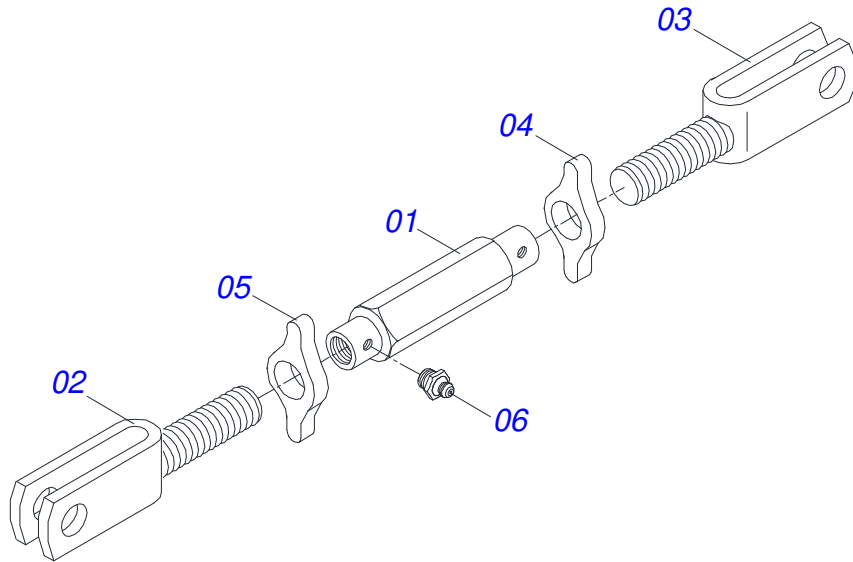
Item	Code	Description	See page
32	0503030168	HITCH PIN CLIP	03
33	0521010549	COUPLING SHAFT	01
34	0521010910	COUPLING SHAFT	04
35	0521012538	1.2" X 3.5" COUPLING SHAFT	08
36	0521010547	1.2" X 6.5" COUPLING SHAFT	04
37	0501066318	LOCK PIN 3/4 X 150 ZN	04
38	0521010620	1.5" X 4.6" COUPLING SHAFT	02
39	0501019719	1.1/4" X 155MM COUPLING SHAFT	03
40	0521010546	1.2" X 5.7" COUPLING SHAFT	01
41	0521010778	1.25" X 3.15" COUPLING SHAFT	02
42	0521010780	1.2" X 4.5" COUPLING SHAFT	01
43	0502010972	ARTICULACION BEARING	07
44	0502010673	BEARING SEMI	02
45	0501065531	ROCKER ARM	01
46	0501067527	STABILIZER BAR	01
47	0501051885	CARRYING-WHEELS	8 08
48	0501044204	ESTABILIZER ASSY	4 01
49	0501045162	ASSEMBLY CARRYING WHEELS ESTABILIZER	3 01
50	0531012392	BAR FIX SCRAPER 1390	02
51	0531012393	1510 BAR FIX SCRAPER	02
52	0501067197	LH FRONT/RH REAR SCRAPER	31
53	0501067198	RH FRONT/LH REAR SCRAPER	31
54	0511041259	DRAWBAR JACK ASSY	9 01
55	0501065901	TRACTOR HITCH	01
56	0501011431	1-3/4" GANG BOLT WRENCH	02
57	0501061045	1" WRENCH CYLINDRICAL	01
58	0501061609	3/4" WRENCH CABLE CYLINDRICAL	01
59	0511010153	2-5/16" FIXED WRENCH	01
60	0501063989	HYDRAULIC CYLINDER REGULATOR	02
61	0511010839	TRANSPORT LOCK 7.9" X 2.1" X 0.4"	02
62	0501015593	SUPPORT PLATE	01
63	0502010477	HOSE CLAMP	12
64	0501043620	0.98" ROD STOP FOR 2" CYLINDER	02
65	0501043694	1.18" ROD STOP FOR 2" CYLINDER	02
66	0501043695	1.6" ROD STOP FOR 2" CYLINDER	02
67	0511010703	PIVOT SHAFT	04
68	0501011301	1.1/2 UNC 6FPP 2.5/16 NUT	04
69	0501049338	HYDRAULIC CYLINDER 44,45 X 85,72 X 515 X 203	5 02
70	0511043786	HYDRAULIC CYLINDER 53,98 X 101,6 X 515 X 203	6 02
		BP	
71	0501043265	HYDRAULIC CYLINDER 50,8 X 101,6 X 870 X 610	7 04
72	0501040257	3/4 X 1200 HOSE HOLDER A	01
72A	0501013935	HOSE HOLDER	01
72B	0503010023	3/4" SPRING WASHER	37
72C	0503010014	3/4" NUT	38
73	0511017302	FLAT WASHER	144
74	0503010019	1/2" SPRING WASHER	152
75	0503010060	1/2" NUT	152
76	0501010984	FLAT WASHER	02
77	0503010025	3/8" SPRING WASHER	10
78	0503010026	3/8" NUT	02
79	0501011445	FLAT WASHER	14
80	0503010012	1" SPRING WASHER	14
81	0501010059	1.5/8 NUT	14
82	0501017779	32 X 60 X 4.75 FLAT WASHER	08
83	0501010110	1.1/2" NUT	04
84	0501010322	FLAT WASHER	28
85	0503030012	HITCH PIN CLIP	04
86	0503010027	5/8" SPRING WASHER	16



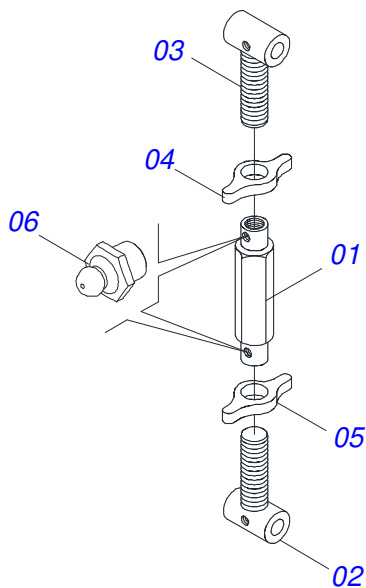
GTID - 62D
ASSY FRAME

Page 2
0909091361

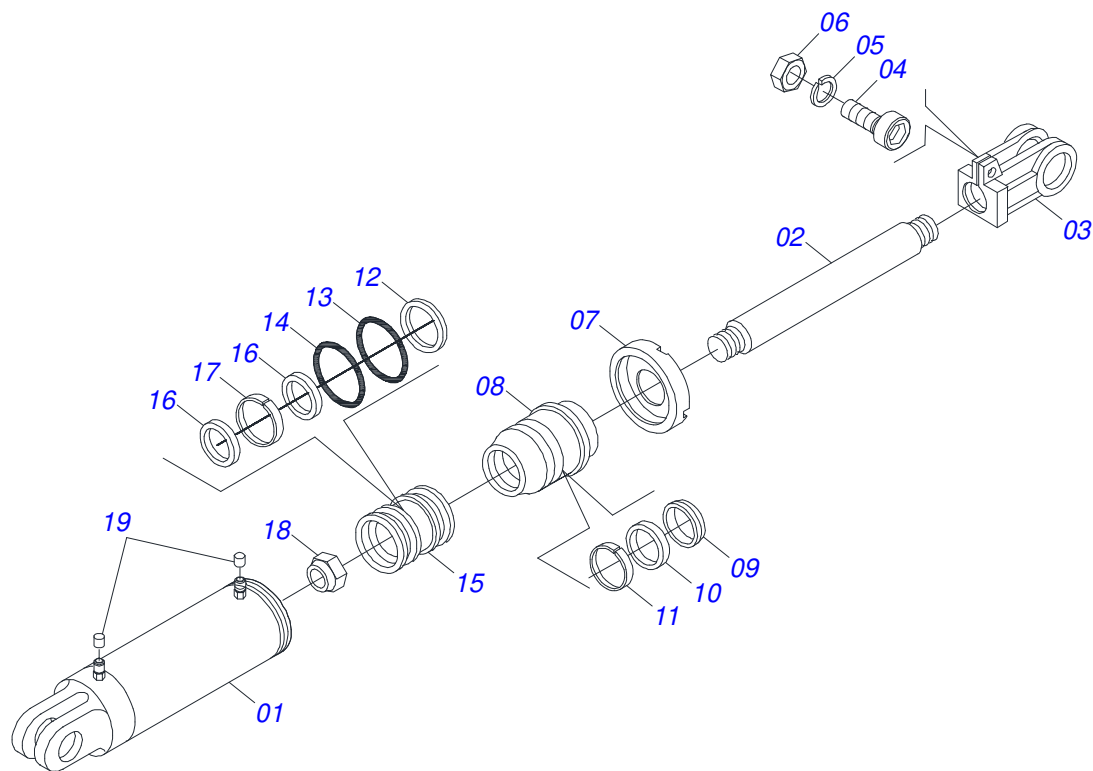
Item	Code	Description	See page
87	0503010013	5/8" NUT	16
88	0503030534	EXTENSION GREASE FITTING	02
89	0503010002	1800 GREASE FITTING	20
91	0503010571	1/4" X 1.1/2 COTTERPIN	04
92	0503010523	1/4" X 2" COTTERPIN	19
93	0503010534	3/8 X 2-1/2 COTTERPIN	06



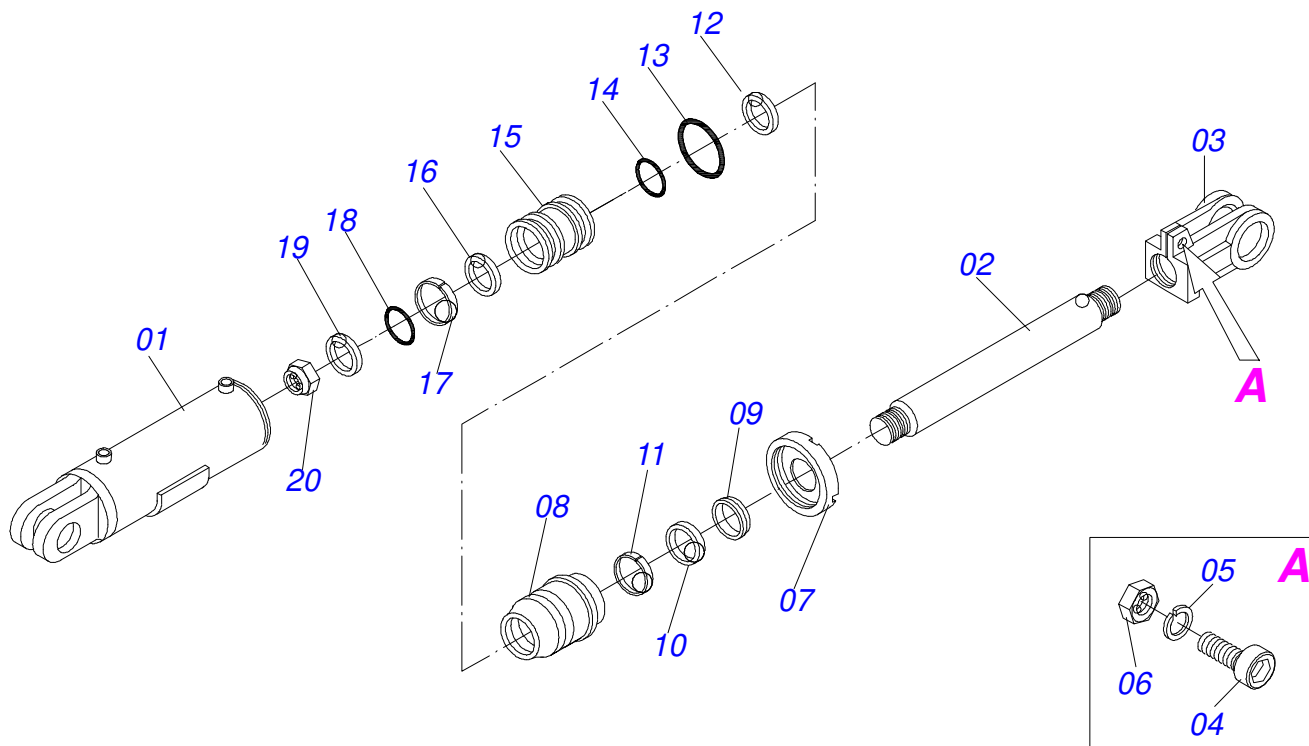
Item	Code	Description	See page	QT
01	0502011195	ADJUSTMENT NUT BODY		01
02	0501066930	LEFT TURNBUCKLE		01
03	0501066931	RIGTH TURNBUCKLE		01
04	0541018672	COUNTERNUT		02
05	0541018673	COUNTERNUT		02
06	0503010002	1800 GREASE FITTING		04



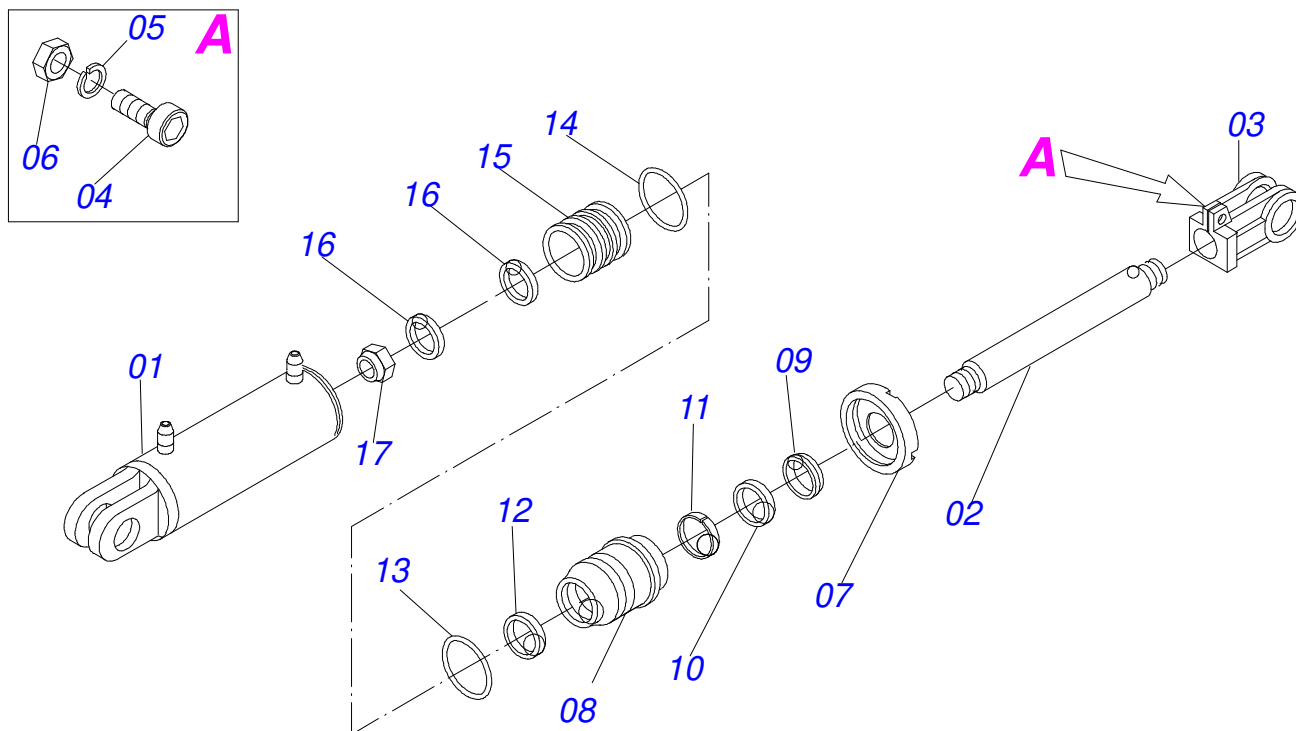
Item	Code	Description	See page
01	0502011195	ADJUSTMENT NUT BODY	01
02	0501064002	LEFT JACK CRANK	01
03	0501064001	RIGHT JACK CRANK	01
04	0541018672	COUNTERNUT	01
05	0541018673	COUNTERNUT	01
06	0503010002	1800 GREASE FITTING	02



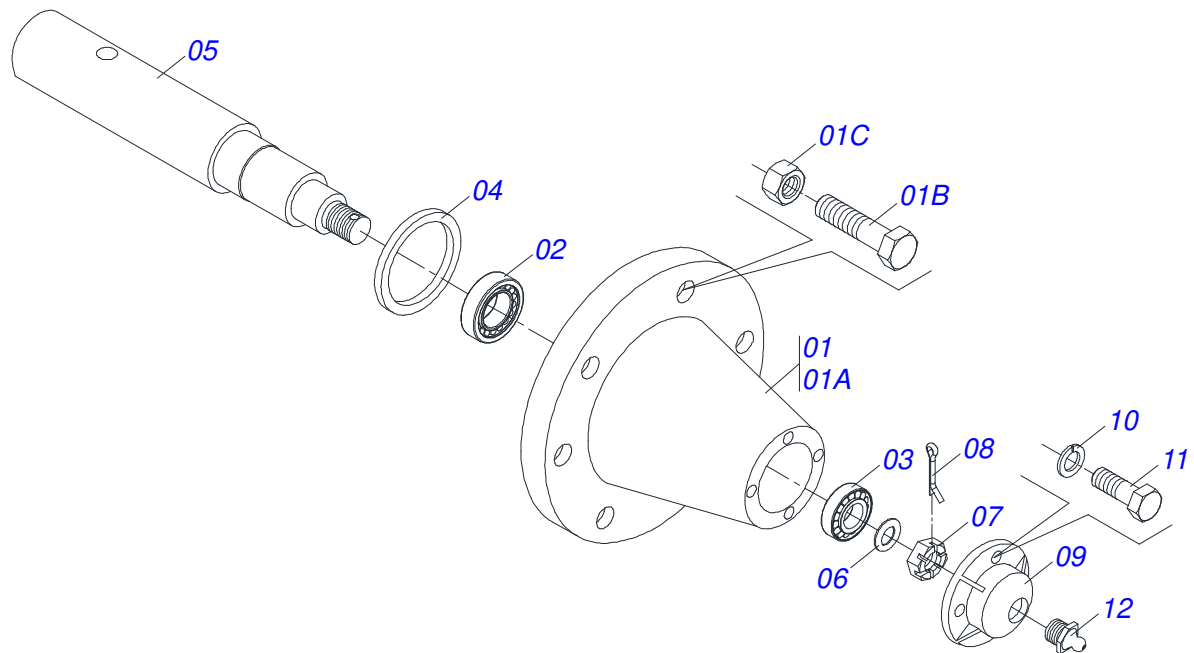
Item	Code	Description	See page	QT
01	0511061588	3.4" X 16" CYLINDER CASE		01
02	0521010421	HYDRAULIC CYLINDER TURNBUCKLE		01
03	0502040747	32.54 CLEVIS CLAMP		01
04	0503011094	3/8" X 2" BOLT		01
05	0503010025	3/8" SPRING WASHER		01
06	0503010026	3/8" NUT		01
07	0502010993	DETACHABLE COVER		01
08	0502010781	RING SUPPORT		01
09	0503010761	D-1750 SCRAPER RING		01
10	0503010990	GASKET		01
11	0503010949	W2-2000-500 PK RING G.E		01
12	0503011060	8-336 BACK-UP RING		01
13	0503010976	2-336 N 3006-9B O'RING		01
14	0503010042	2-214 N 3006-9B O'RING		01
15	0502010843	1.8" X 3.4" PISTON		01
16	0503010170	PACKING 3120 2750		02
17	0503010948	W4-3346-590 PK RING G.E		01
18	0503010063	1" SELF-ALIGNING NUT		01
19	0503030385	CYLINDER PLUG N-002		02
20	0501031796	HYDRAULIC CYLINDER REPAIR KIT		01



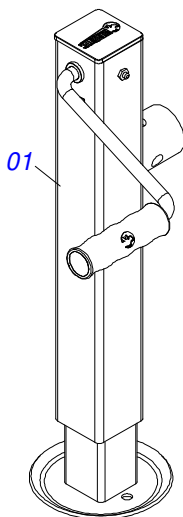
Item	Code	Description	See page
00	0511043786	HYDRAULIC CYLINDER 53,98 X 101,6 X 515 X 203 6 BP	
01	0511066641	4" X 7.9" CYLINDER CASE	01
02	0531018245	EXTENDING BODY	01
03	0502040747	32.54 CLEVIS CLAMP	01
04	0503011094	3/8" X 2" BOLT	01
05	0503010025	3/8" SPRING WASHER	01
06	0503010026	3/8" NUT	01
07	0502010017	4" HEAD	01
08	0502011250	RING OF SUPPORT	01
09	0503010319	D-2125 SCRAPER	01
10	0503010314	GASKET	01
11	0503010973	W2-2500-500 PK O'RING G.E	01
12	0503011061	8-342 BACK-UP RING	01
13	0503010338	2-342 N 3006-9B O'RING	01
14	0503010345	2-218 N 3006-9B O'RING	01
15	0502011249	PISTON	01
16	0503010043	PACKING 3750-3250	01
17	0503010994	W2-4000-500 PK RING G.E	01
18	0503012726	RUBBER RING	01
19	0503012725	GASKET	01
20	0503010817	1.1/4" SELF LOCKING NUT	01



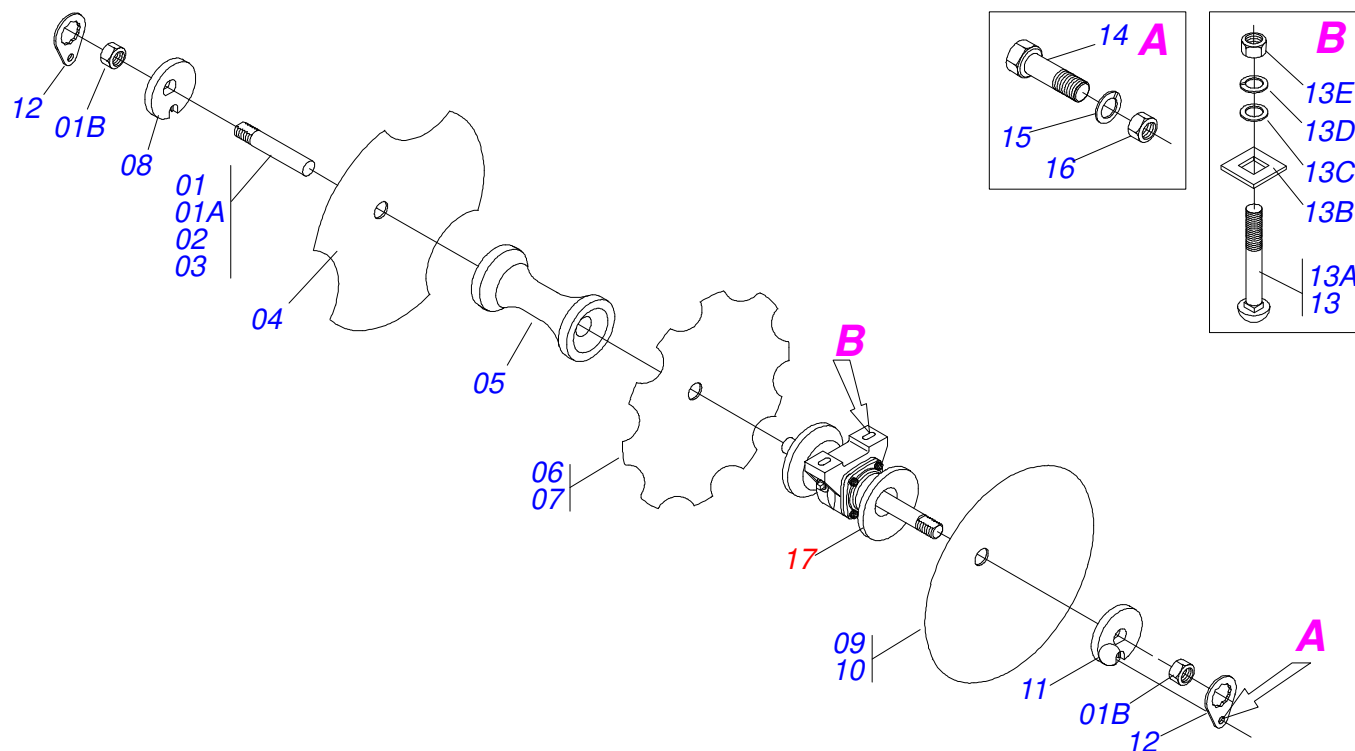
Item	Code	Description	See page	QT
00	0501043265	HYDRAULIC CYLINDER 50,8 X 101,6 X 870 X 610	7	
01	0501067324	4" X 24" CYLINDER CASE		01
02	0511017801	2"X 29.33" TURNBUCLE		01
03	0502010664	FORK		01
04	0503011094	3/8" X 2" BOLT		01
05	0503010025	3/8" SPRING WASHER		01
06	0503010026	3/8" NUT		01
07	0502011182	4" DETACHABLE COVER		01
08	0502010523	2" X 4" RING SUPPORT		01
09	0503010039	D-2000 SCRAPER RING		01
10	0503010991	1870-2000-375-B GASKET		01
11	0503010952	W2-2250-500 RING		01
12	0503011061	8-342 BACK-UP RING		01
13	0503010338	2-342 N 3006-9B O'RING		01
14	0503010345	2-218 N 3006-9B O'RING		01
15	0502010682	2"X4" PISTON		01
16	0503010043	PACKING 3750-3250		02
17	0503010044	1-1/4" SELF LOCKING NUT		01
18	0501031799	HYDRAULIC CYLINDER REPAIR KIT		



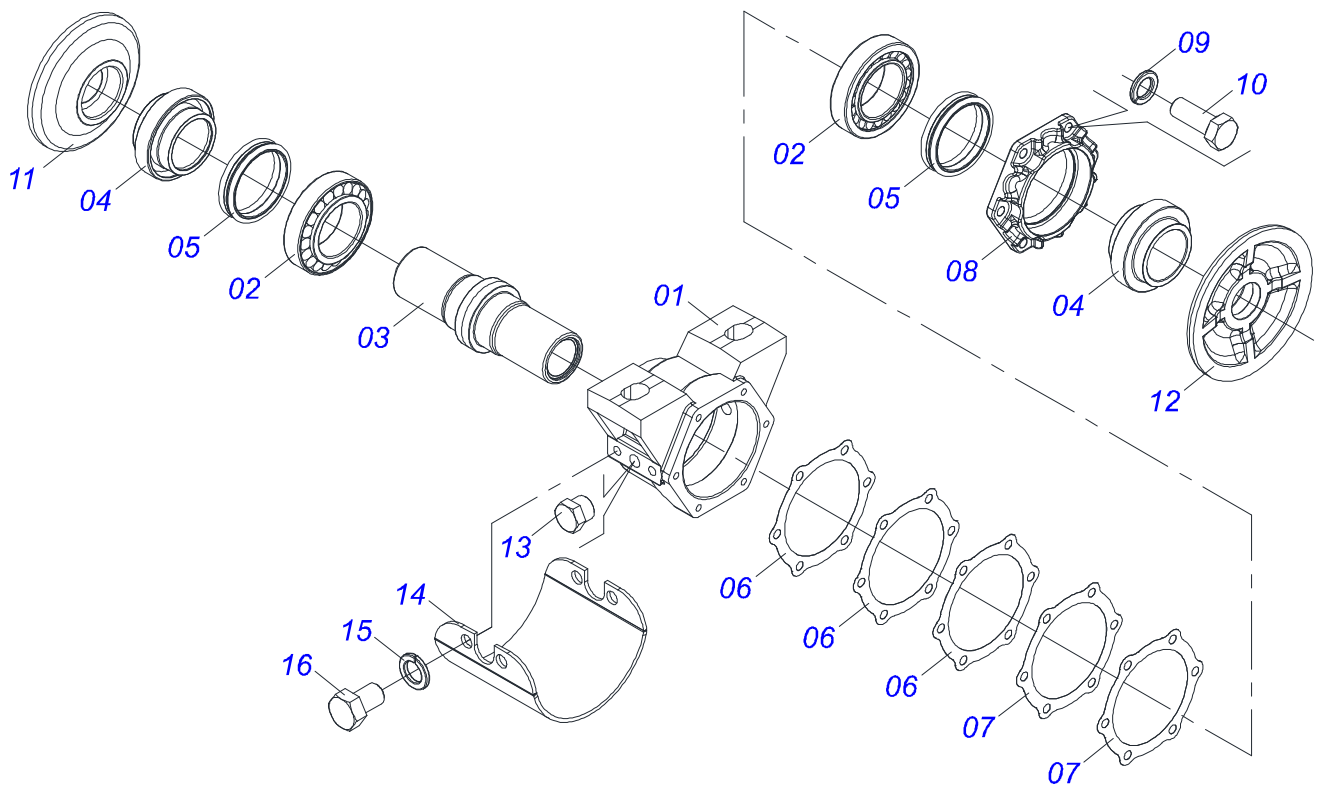
Item	Code	Description	See page	QT
01	0501110738	CARRYING WHEEL HUB		01
01A	0502012260	TRANSPORT WHEEL BOX		01
01B	0503010064	5/8 UNF CONIC NUT		08
01C	0501010186	WHEEL SCREW 5/8UNF X 2.1/8CR		08
02	0503011156	ROLAMENTO 2780/2720 IMP		01
03	0503010008	3780/3720 ROLLER BEARING		01
04	0503013314	RETAINER 5166-GB 63,5 X 110 X 13 ARCA		01
05	0511012494	SPINDLE		01
06	0511012492	FLAT WASHER		01
07	0503030009	1" CASTLE NUT		01
08	0503010018	5/32 X 1-1/2 COTTERPIN		01
09	0502020591	PROTECCION COVER		01
10	0503011444	SPRING WASHER		04
11	0503010358	5/16" X 5/8" BOLT		04
12	0503010002	1800 GREASE FITTING		01



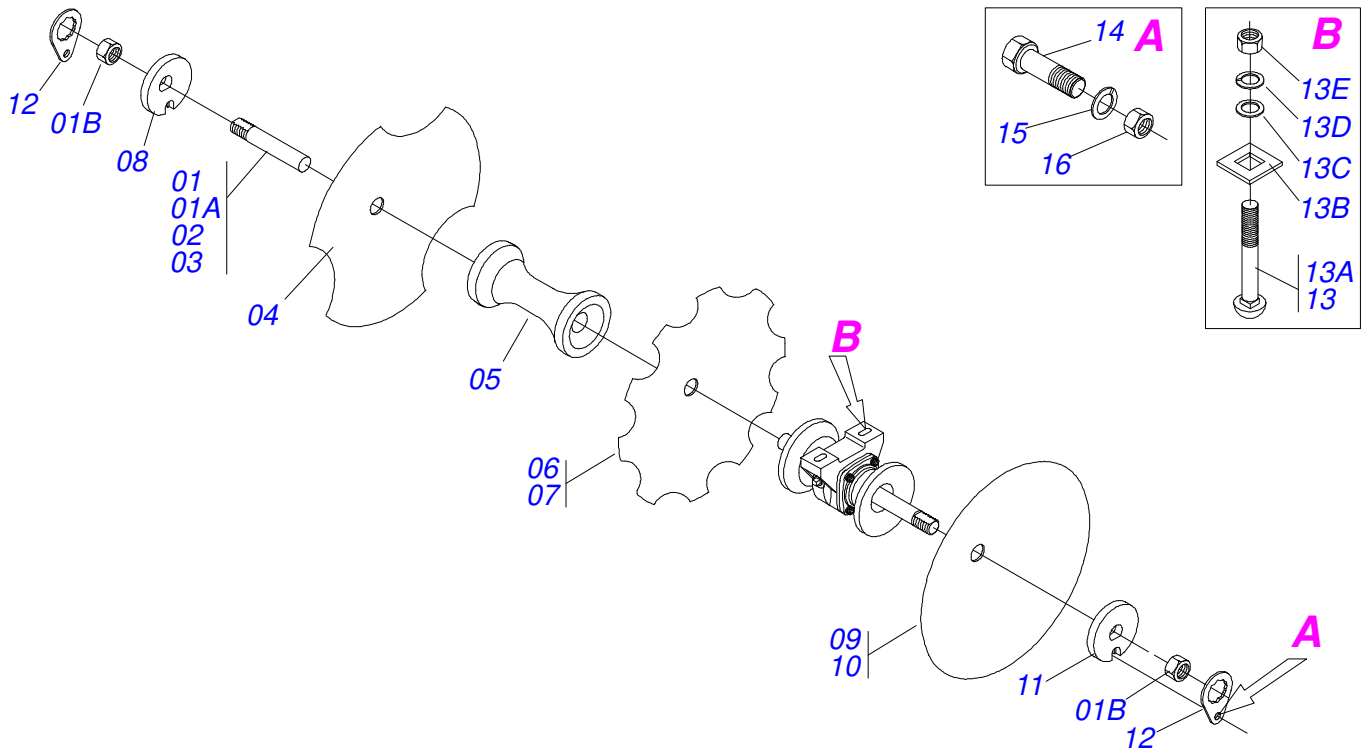
Item	Code	Description	See page	QT
01	0503062157	HEADER JACK		01



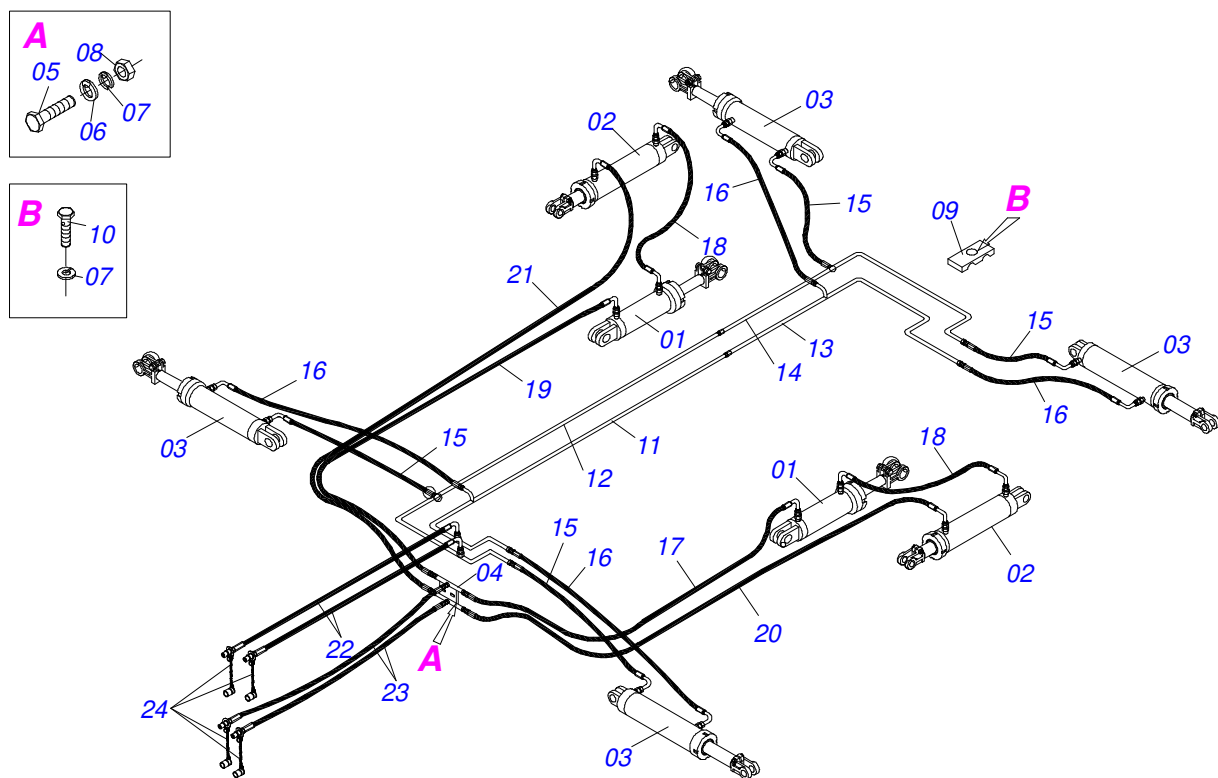
Item	Code	Description	See page	QT
01	0501049605	1.5/8 7FPP X 2320 AXLE		02
01A	0521018913	1.5/8 7FPP X 2320 AXLE		01
01B	0502040640	1.5/8" 2.3/4" NUT		02
02	0501046854	1-5/8" X 48" AXLE WITH NUTS 2-3/4		04
03	0501046856	1-5/8" X 59" AXLE WITH NUTS 2-3/4		04
04	0602029301	22" X 0.2" NOTCHED DISC BLADE		02
05	0502010703	10.35" 1-5/8" SPACER		30
06	0602033232	DR26X6 C89AF02FR1.11/16 10REC TATU		28
07	0602030369	24" X 0.2" NOTCHED DISC BLADE		02
08	0502011048	1-5/8" EXTERNAL AXLE WASHER		10
09	0601033215	26"X 0.2" PLAIN DISC BLADE		28
10	0601031076	26"X 0.2" PLAIN DISC BLADE		02
11	0502011047	1-5/8" INNER AXLE WASHER		10
12	0511014339	1-5/8" 2.8" NUT LOCK		42
13	0511040034	3/4" X 3-1/4" BOLT ASSY		44
14	0503011267	BOLT 5/8 UNC X 1.1/2 C S G.5 ZN		16
15	0503010027	5/8" SPRING WASHER		56
16	0503010013	5/8" NUT		56
17	0501048457	262MM X 1.5/8" RD OIL BATH BEARING	11	



Item	Code	Description	See page	QT
01	0502020636	8.8" X 1-5/8" OIL HOUSING BEARING		01
02	0503013496	3982/3920 ROLLER BEARING		02
03	0502010740	AXLE TK		01
04	0502010736	SEAL RETAINER		02
05	0503030027	DUO-CONE SEAL		02
06	0503030030	5.6" X 4.4" X 0.01" GASKET		03
07	0503030685	5.5" X 4.4" X 0.003" GASKET		02
08	0502020161	WEAR PLATE BEARING		01
09	0503011443	3/8" SPRING WASHER		06
10	0503010237	3/8" X 1" BOLT		06
11	0502040240	INNER FLANGE		01
12	0502040239	OUTER FLANGE		01
13	0503010856	OIL PLUG		02
14	0521012933	BEARING WEAR PLATE		01
15	0503010019	1/2" SPRING WASHER		04
16	0503011401	1/2" X 3/4" BOLT		04



Item	Code	Description	See page	QT
01	0501049605	1.5/8 7FPP X 2320 AXLE		02
01A	0521018913	1.5/8 7FPP X 2320 AXLE		01
01B	0502040640	1.5/8" 2.3/4" NUT		02
02	0501046854	1-5/8" X 48" AXLE WITH NUTS 2-3/4		04
03	0501046856	1-5/8" X 59" AXLE WITH NUTS 2-3/4		04
04	0602029301	22" X 0.2" NOTCHED DISC BLADE		02
05	0502010703	10.35" 1-5/8" SPACER		30
06	0602033232	DR26X6 C89AF02FR1.11/16 10REC TATU		28
07	0602030369	24" X 0.2" NOTCHED DISC BLADE		02
08	0502011048	1-5/8" EXTERNAL AXLE WASHER		10
09	0601033215	26"X 0.2" PLAIN DISC BLADE		28
10	0601031076	26"X 0.2" PLAIN DISC BLADE		02
11	0502011047	1-5/8" INNER AXLE WASHER		10
12	0511014339	1-5/8" 2.8" NUT LOCK		42
13	0511040034	3/4" X 3-1/4" BOLT ASSY		44
14	0503011267	BOLT 5/8 UNC X 1.1/2 C S G.5 ZN		16
15	0503010027	5/8" SPRING WASHER		56
16	0503010013	5/8" NUT		56



Item	Code	Description	See page	QT
01	0511043786	HYDRAULIC CYLINDER 53,98 X 101,6 X 515 X 203 6 BP	6	02
02	0501049338	HYDRAULIC CYLINDER 44,45 X 85,72 X 515 X 203	5	02
03	0501043265	HYDRAULIC CYLINDER 50,8 X 101,6 X 870 X 610	7	04
04	0501068706	DOUBLE CONNECTION		01
05	0501010080	3/8" BOLT		02
06	0511017302	FLAT WASHER		02
07	0503010025	3/8" SPRING WASHER		12
08	0503010026	3/8" NUT		02
09	0502010477	HOSE CLAMP		10
10	0503010237	3/8" X 1" BOLT		02
11	0501066264	INNER FRONT OIL TUBE		01
12	0501066265	OUTER FRONT OIL TUBE		01
13	0501066266	INNER REAR OIL TUBE		01
14	0501066267	OUTER REAR OIL TUBE		01
15	0501080328	3/8" X 29" TR-TC HOSE		04
16	0501080436	3/8 X 1500 TR-TC HOSE		04
17	0501080359	3/8" X 78.7" TR-TC HOSE ASSY		01
18	0501080448	3/8" X 110.23" TC-TC HOSE ASSY		02
19	0501080447	3/8" X 122" TR-TC HOSE ASSY		01
20	0501080435	3/8" X 3600 TR-TC HOSE		01
21	0501081093	3/8" X 188.9" TR-TC HOSE ASSY		01
22	0501080422	HOSE 3/8 X 4000 TC-TM		02
23	0501080361	3/8" X 157" TR-TM HOSE		02
24	0501053834	MALE QUICK COUPLER		04



MARCHESAN

Technical Publications | Elaboration and Revision

JOSÉ DOMINGOS GASPARI

www.marchesan.com.br

