

OFFSET DISK HARROW

GAPM-HD 8013 - 16/24D

Code: 0501090748
Series: S-0606
Revision: 00
Revision Date: FEVEREIRO/2006

PARTS CATALOGUE



MARCHESAN



PRODUCTS

Code	Description
0102050129	GAPM-HD 8013 16 X 32 X 12 DM S-0606
0102050136	GAPM-HD 8013 24 X 34 X 9 DM S-0606

ATTENTION: IMPORTANT

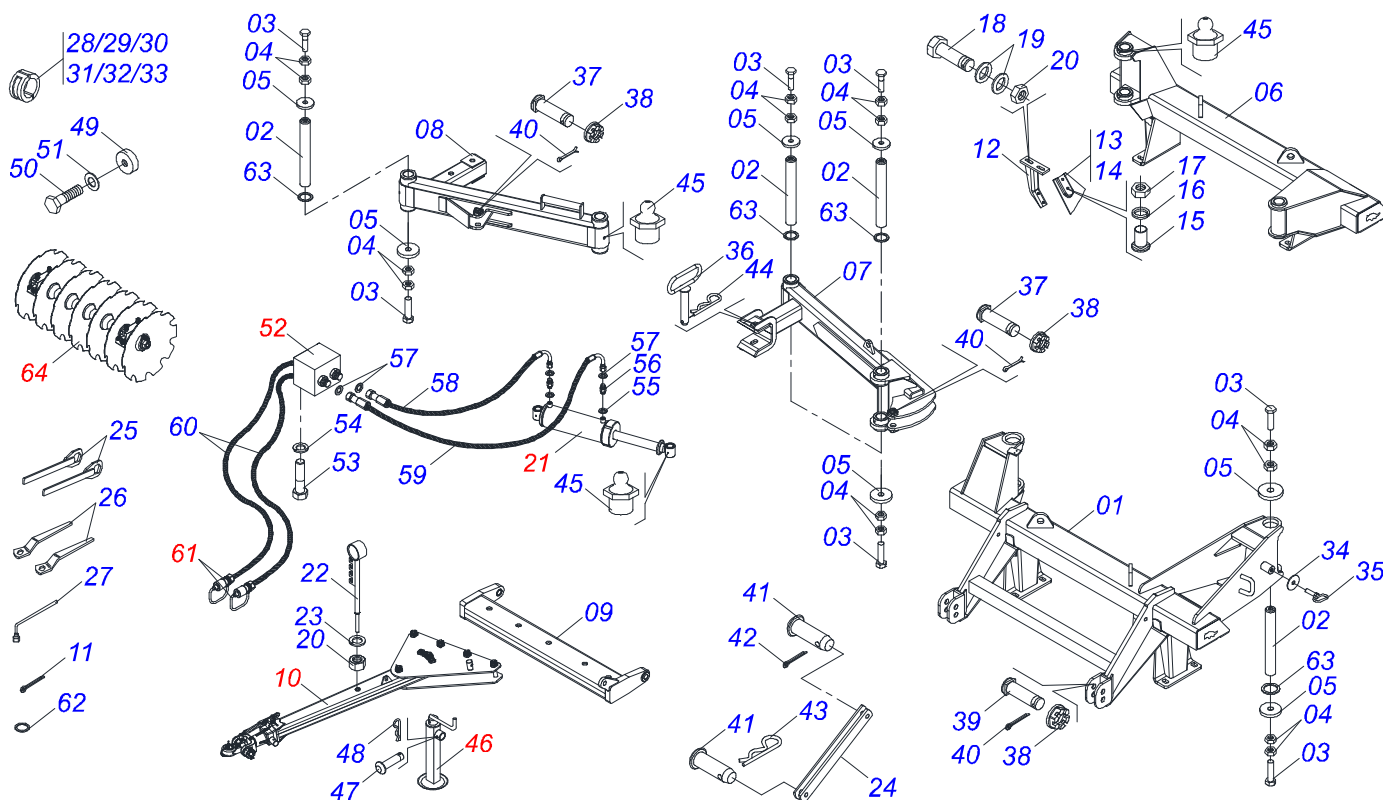
Marchesan S.A. reserves the right to improve and/or modify the technical features of its products, without obligation to do the same with those products already sold and without prior knowledge of the dealer or the customer. The photos are only illustrative.



INDEX

0909091454	FRAME ASSY	1
0511041592	ASSY TRACTION BAR (PIN 3)	2
0511043185	HYDRAULIC CYLINDER 63,50 X 150 X 770 X 310	3
0511043153	DRAWBAR JACK	4
0501055696	DISCHARGE VALVE OFS ASSY	5
0501053834	MALE QUICK COUPLER	6
0909091456	GANG DISC	7
0511045349	AGRICULTURAL BEARING	8

FRAME ASSY



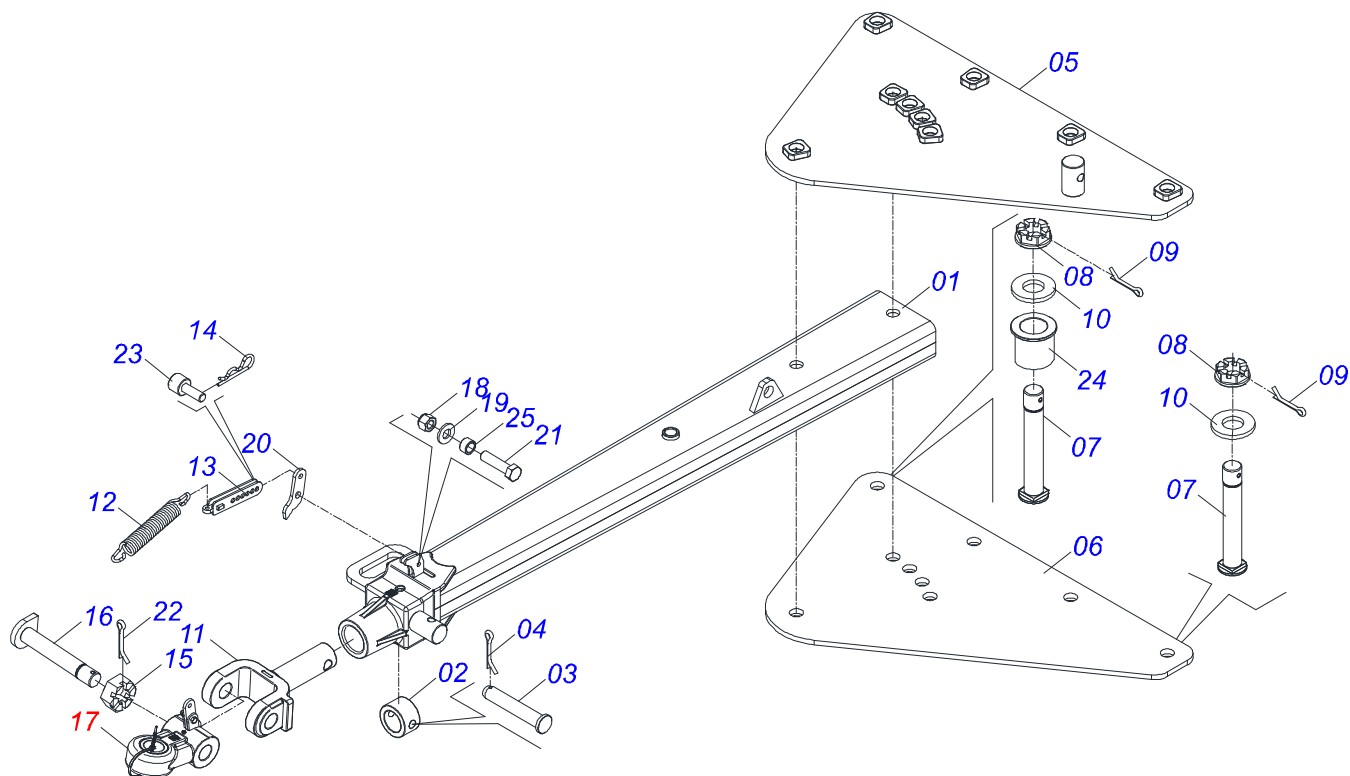
Item	Code	Description	See page	16	24
01	0511067830	FRONT FRAME		01	00
01.	0511067834	FRONT FRAME		00	01
02	0541011899	2.9" X 20" COUPLING SHAFT		04	04
03	0503012660	1" X 4" BOLT		08	08
04	0503013635	1" NUT		24	24
05	0511013244	FLAT WASHER		08	08
06	0511067831	REAR FRAME		01	00
06.	0511067835	REAR FRAME		00	01
07	0511067488	REAR STABILIZER BAR		01	01
08	0511067487	FRONT STABILIZER BAR		01	01
09	0511067183	HITCH BAR		01	01
10	0511041592	ASSY TRACTION BAR (PIN 3)	2	01	01
11	0503010010	1/4" X 2.1/2" SPLIT PIN		06	06
12	0511064772	REAR SCRAPER SUPPORT		08	08
13	0521013678	FRONT CLEANER		08	08
14	0521013679	REAR CLEANER		08	08
15	0503012195	5/8" NUT		32	32
16	0503010027	5/8 SPRING WASHER		32	32
17	0503010013	5/8 NUT		32	32
18	0501010500	3/4" X 3" BOLT		32	32
19	0541010763	FLAT WASHER		64	64
20	0503010014	3/4" HEX NUT		33	33
21	0511043185	HYDRAULIC CYLINDER 63,50 X 150 X 770 X 310	3	01	01
22	0511064470	HOSE HOLDER ASSY		01	01
23	0503010023	3/4" SPRING WASHER		01	01
24	0541011205	DRAWBAR LOCK SAFETY		02	02
25	0501061044	2-1/8" AND 2-1/2" CABLE FLAT WRENCH		02	02
26	0501011432	1-1/2" AND 1-5/8 GANG BOLT WRENCH		01	01
27	0501062300	1-1/4" WRENCH CABLE CYLINDRICAL		01	01
28	0511042161	2.1/2" ROD STOP ASSY		01	01
29	0511042162	2.1/2" ROD STOP ASSY		01	01



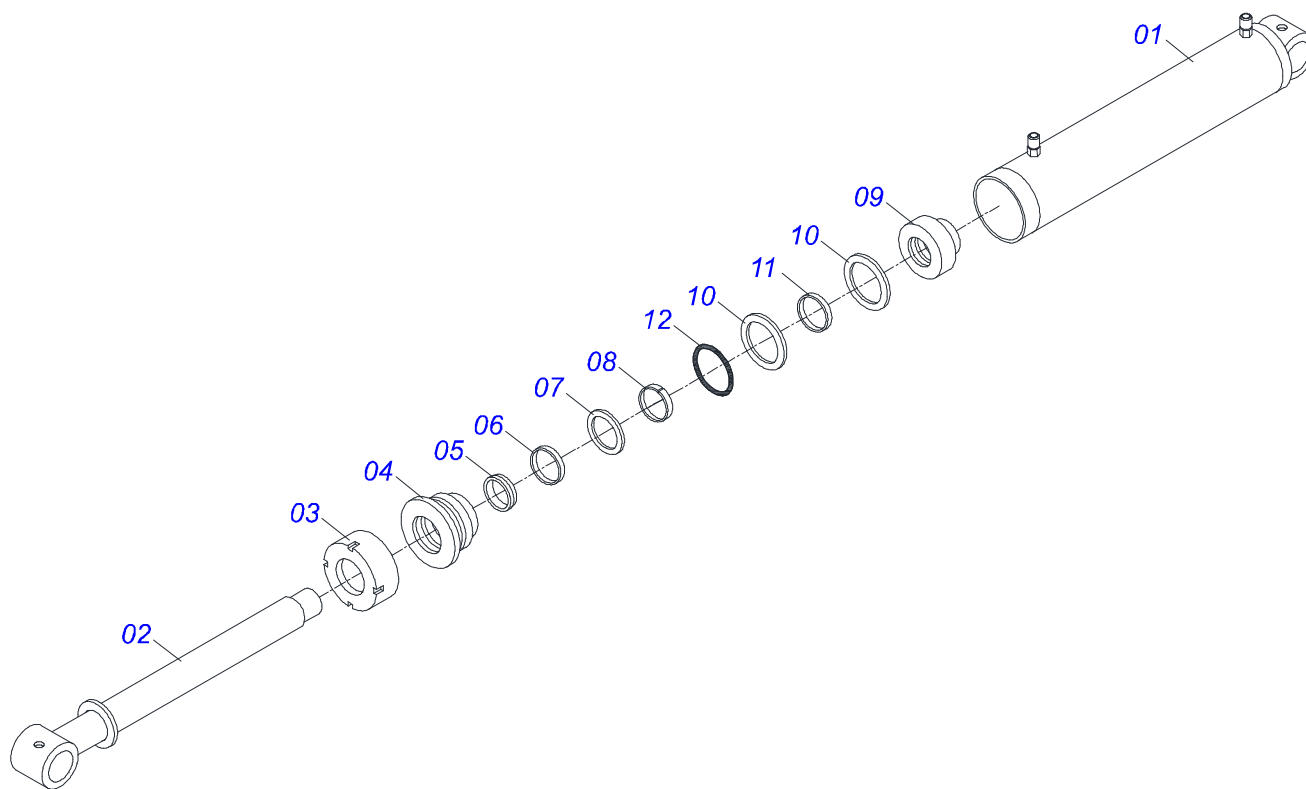
FRAME ASSY

0909091454

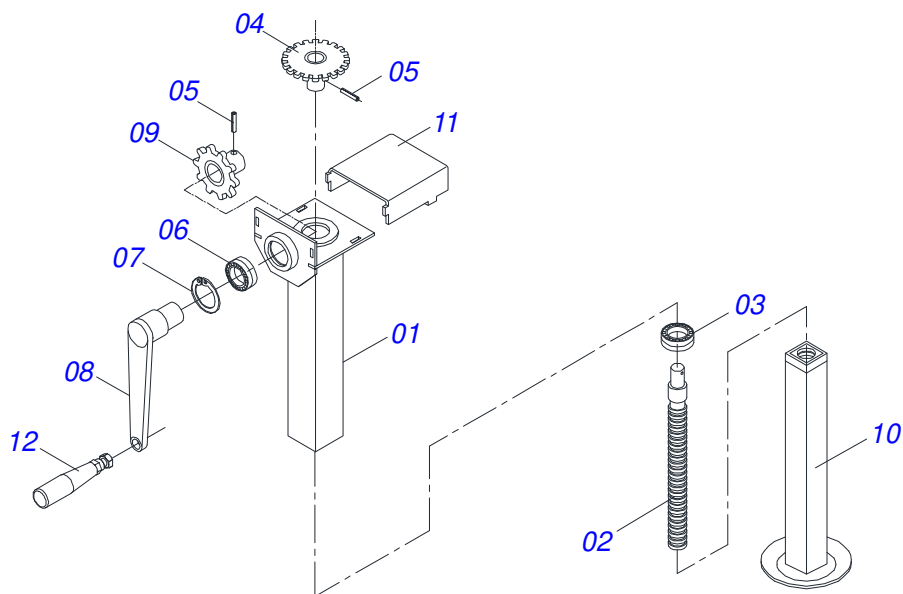
Item	Code	Description	See page	16	24
30	0511042163	2.1/2" ROD STOP ASSY		01	01
31	0511042164	2.1/2" ROD STOP ASSY		01	01
32	0511042165	2.1/2" ROD STOP ASSY		01	01
33	0511042166	2.1/2" ROD STOP ASSY		01	01
34	0521011722	FLAT WASHER		01	01
35	0501069343	WRENCH FIXER		01	01
36	0501069350	230 PIVOT SHAFT WITH PULL		01	01
37	0531018100	37,50 X 200 COUPLING SHAFT		02	02
38	0501011301	1.1/2 UNC 6FPP 2.5/16 NUT		04	04
39	0531018099	37,50 X 190 COUPLING SHAFT		02	02
40	0503010010	1/4" X 2.1/2" SPLIT PIN		04	04
41	0521010573	0.9" X 3.1" COUPLING SHAFT		02	02
42	0503010571	1/4" X 1.1/2" SPLIT PIN		01	01
43	0503030012	HITCH PIN CLIP		01	01
44	0503031035	HITCH PIN CLIP		01	01
45	0503010002	1800 GREASE FITTING		14	14
46	0511043153	DRAWBAR JACK	4	01	01
47	0541011345	16 X 68 PLUGER		01	01
48	0503030168	HITCH PIN CLIP		01	01
49	0521011481	FRAME BATTERY		01	01
50	0501010108	5/8" X 1" BOLT		01	01
51	0501012140	FLAT WASHER		01	01
52	0501055696	DISCHARGE VALVE OFS ASSY	5	01	01
53	0503010237	3/8" X 1" BOLT		02	02
54	0503010025	3/8 SPRING WASHER		02	02
55	0503010190	2-114 N 3006-9B O'RING		02	02
56	0503030923	3/4" UNF X 13/16UN OFS X 40 NIPPLE		02	02
57	0503011030	2-014 N 3006-9B O'RING		06	06
58	0501080554	1/2" X 27.6" TR-TC OFS HOSE		01	01
59	0501081054	TR-TC HOSE ASSY		01	01
60	0501080917	1/2" X 216.53" TR-TM OFS HOSE		02	02
61	0501053834	MALE QUICK COUPLER	6	02	02
62	0521011721	1.6" X 3.94" X 0.12" WASHER		02	02
63	0541011534	FLAT WASHER		04	04
64	0909091456	GANG DISC	7	01	01



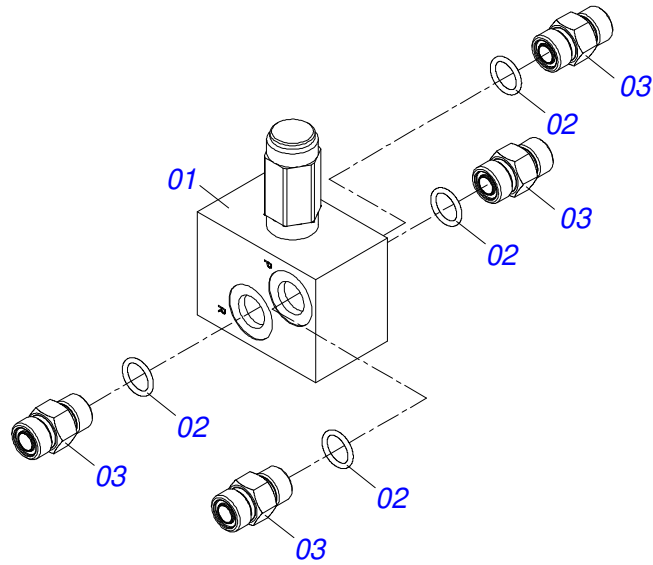
Item	Code	Description	See page	QT
01	0511064669	DRAWBAR ASSY		01
02	0502040263	ANEL TRAVA ENGATE		01
03	0561017306	COUPLING SHAFT		01
04	0503010523	1/4" X 2" SPLIT PIN		01
05	0511064659	UPPER PLATE		01
06	0511064658	LOWER PLATE		01
07	0521011880	37,5 X 242 COUPLING SHAFT		06
08	0501011301	1.1/2 UNC 6FPP 2.5/16 NUT		06
09	0503010010	1/4" X 2.1/2" SPLIT PIN		06
10	0501012916	FLAT WASHER 40 X 66 X 4,75 ZN		06
11	1902040897	TRACTOR HITCH		01
12	0503031741	1.8" X 11.4" 0.3" TRACTION SPRING		01
13	0531061607	SPRING REGULATOR		01
14	0503030285	HITCH PIN CLIP		01
15	0502040558	2" CASTLE NUT		01
16	0531061122	AXIS ARTICULATOR		01
17	0531040171	ASSY HITCH		01
18	0503010589	1/2" UNC SELF ADJUSTING NUT		01
19	0501010937	13,50 X 28 X 3,00 FLAT WASHER		01
20	0591014554	REAR EAR FIXING SPRING		01
21	0503010740	BOLT 1/2 UNC X 2 CS G.5 ZN		01
22	0503010074	3/8" X 4" SPLIT PIN		01
23	0591014558	SPRING REGULATOR FIXER AXLE		01
24	0591013086	SLEEVE		01
25	0591014552	SLEEVE		01



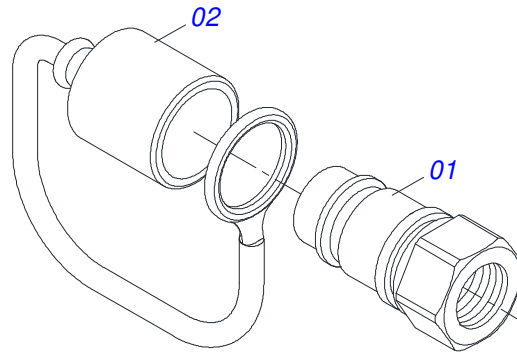
Item	Code	Description	See page	QT
01	0511065971	150 X 470 CYLINDER CASE		01
02	0511065972	63,50 X 662 TURNBUCKLE		01
03	0541010615	MOVABLE COVER		01
04	0502012375	TURNBUCKLE GUIDE		01
05	0503010287	D-2500 SCRAPER RING		01
06	0503012497	RING (TEFLON)		01
07	0503010288	PACKING 2500-2500-375-B		01
08	0503010971	W2-2750-500 PK RING G.I		01
09	0502012319	150 PISTON		01
10	0503013441	OE PACKING 150		02
11	0503012825	RING (TEFLON) CH 61100		01
12	0503010704	2-357 N 3006-9B O'RING		01
13	0501034665	HYDRAULIC CYLINDER REPAIR KIT		01



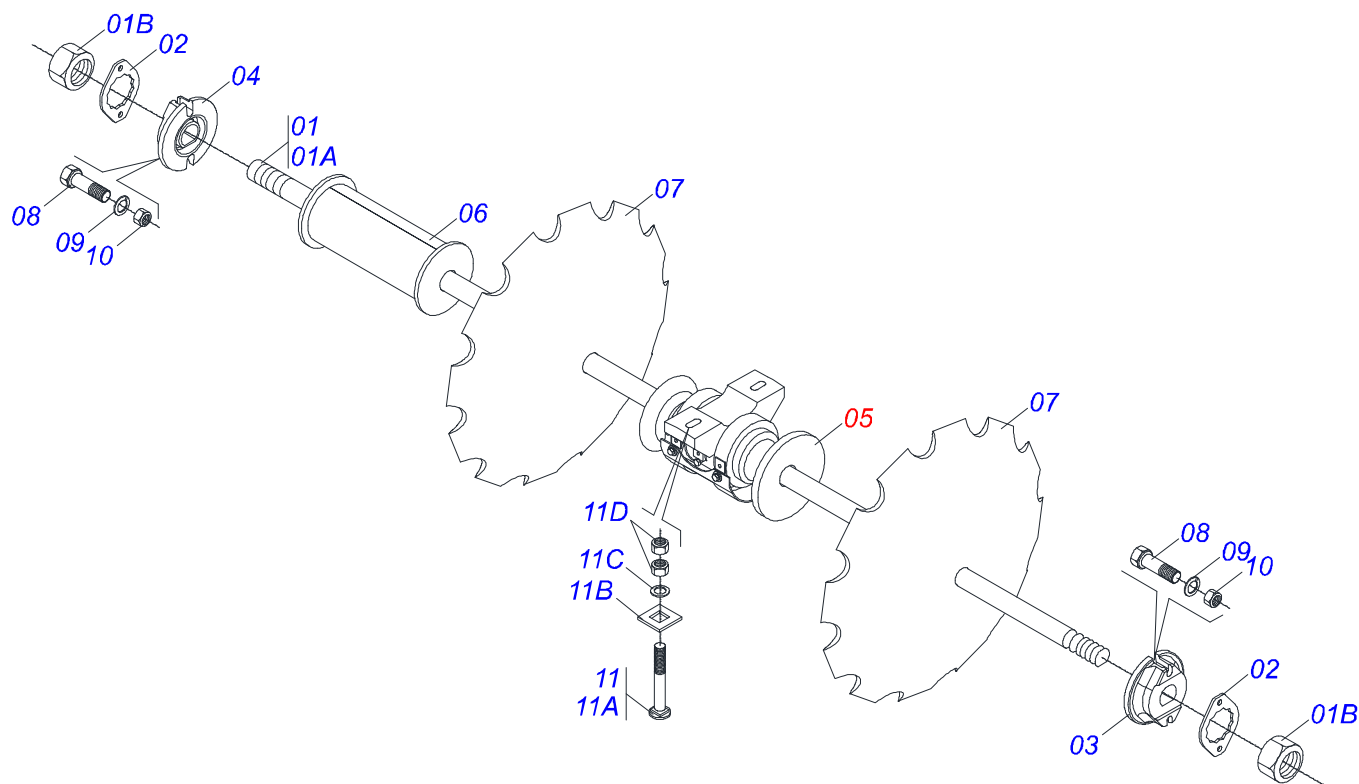
Item	Code	Description	See page	QT
01	0511065948	OUTER BODY DRAWBAR JACK		01
02	0531017603	JACK SPINDLE		01
03	0503013092	51305 BEARING		01
04	0511064234	20Z DRIVER GEAR		01
05	0503010561	SPRING PIN		02
06	0503011410	ROLLER BEARING		01
07	0503011105	SEAL RING		01
08	0511064235	JACK CRANK		01
09	0511064233	10Z DRIVER GEAR		01
10	0511064236	JACK INNER BODY		01
11	0531017602	PROTECTION COVER GEAR		01
12	0503011312	ROTATIVE CABLE		01



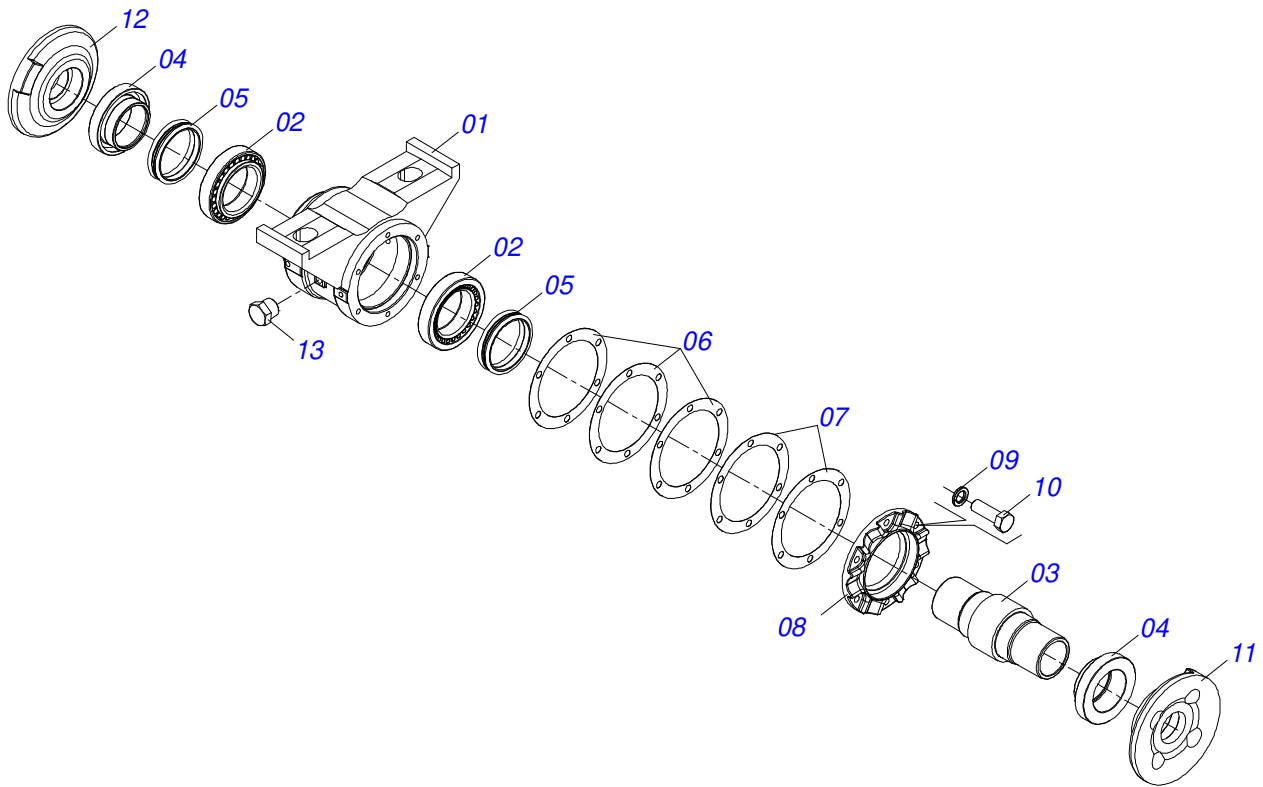
Item	Code	Description	See page	QT
01	0503010919	DISCHARGE VALVE		01
02	0503010190	2-114 N 3006-9B O'RING		04
03	0503030923	3/4" UNF X 13/16UN OFS X 40 NIPPLE		04



Item	Code	Description	See page	QT
01	0503011627	MALE QUICK COUPLER AGR 1/2 NPT		01
02	0503011882	MALE QUICK COUPLER CAP		01



Item	Code	Description	See page	QT
01	0511042422	2-1/2" X 105" AXLE WITH NUTS		02
01A	0541011894	2-1/2" X 105" AXLE		02
01B	0502040064	2.1/2" SNC X 70 99 NUT		04
02	0541010368	NUT LOCK		04
03	0502010593	2.1/2" EXTERNAL AXLE WASHER		02
04	0502010592	2.1/2" INNER AXLE WASHER		02
05	0511045349	AGRICULTURAL BEARING	8	06
06	0502011425	13" X 2-1/2" SPACER		08
07	0602044201	32" X 0.5" NOTCHED DISC BLADE		16
07.	0601046002	DL34X9 C120AF04FR2.9/16 TATU		24
08	0503010232	5/8" X 1.3/4" BOLT		08
09	0503010027	5/8 SPRING WASHER		08
10	0503010013	5/8 NUT		08
11	0501041301	1.1/4" X 5.3/4" ASSY BOLT		16
11A	0501010954	1.1/4" X 5.3/4" BOLT		16
11B	0501010953	1-1/4" SQUARE WASHER		16
11C	0531010713	FLAT WASHER		16
11D	0501010087	1.1/4" NUT		32



Item	Code	Description	See page	QT
01	0502012218	13" 2-1/2" HOUSING BEARING		01
02	0503010482	594A/592A ROLLER BEARING		02
03	0502040204	AXLE		01
04	0502040119	SEAL RETAINER		02
05	0503030029	RETAINER LP JB-259		02
06	0503030537	8.3" X 6.3" X 0.01" JOINT		03
07	0503030687	8.3" X 6.3" X 0.004" JOINT		02
08	0502010644	HOUSING CAP DM		01
09	0503011440	SPRING WASHER		06
10	0503010920	1/2 UNC X 1.1/2 C S G.5 ZN BOLT		06
11	0502012239	BEARING OUTER FLANGE		01
12	0502012238	BEARING INNER FLANGE		01
13	0503010856	OIL PLUG		02



MARCHESAN

Technical Publications | Elaboration and Revision

ALESSANDRA PATRICIA KAWAHARA CARRILI

www.marchesan.com.br

