

PARTS CATALOG

AGRICULTURAL FRONT LOADER

PCA-T MF-1204

Code: 0501090747



Series: S-1204

Review: FEVEREIRO/2005

ORIGINAL PARTS
TATU

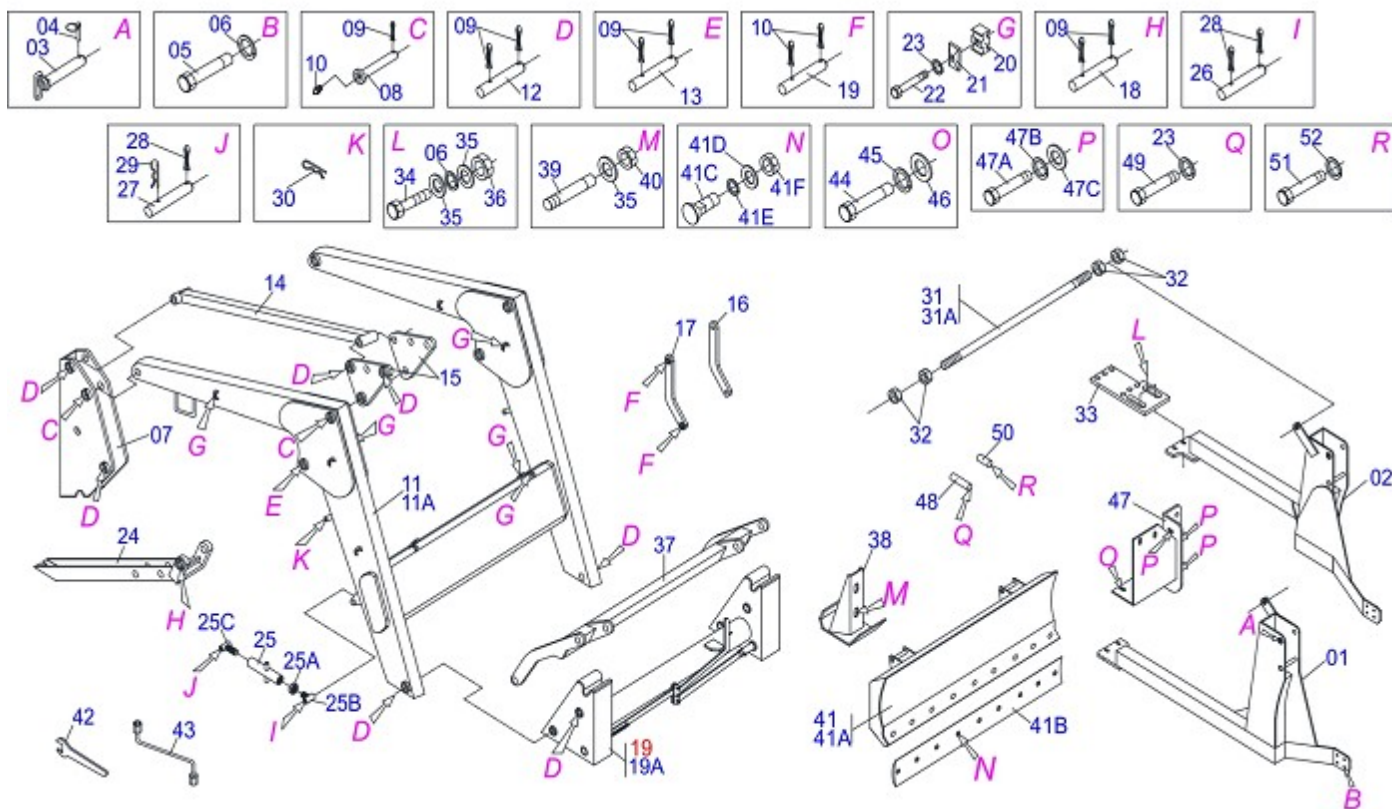


INDEX

0909091226	PCA-T MF 292-4 ADV SHT CD	1
0511043359	ARTICULATION ASSY	2
0909091228	HYDRAULIC CIRCUIT SHT	3
0909091213	HYDRAULIC CYLINDER	4
0909091214	HYDRAULIC CYLINDER	5
0909091552	PCA-T MF 292-4 ADV BT CD	6
0909091227	HYDRAULIC CIRCUIT BT CD	7
0909091553	PCA-T MF 292-4 ADV BT S/C	8
0909092226	HYDRAULIC CIRCUIT	9
0909091221	SAB-SAE-EAG-GSA-DE	10
0909091222	SAB COMPLETE FOR PCA-T	11
0909091223	GSA 800 WITH TR	12
0909091215	HYDRAULIC CYLINDER	13

ATTENTION: **IMPORTANT**

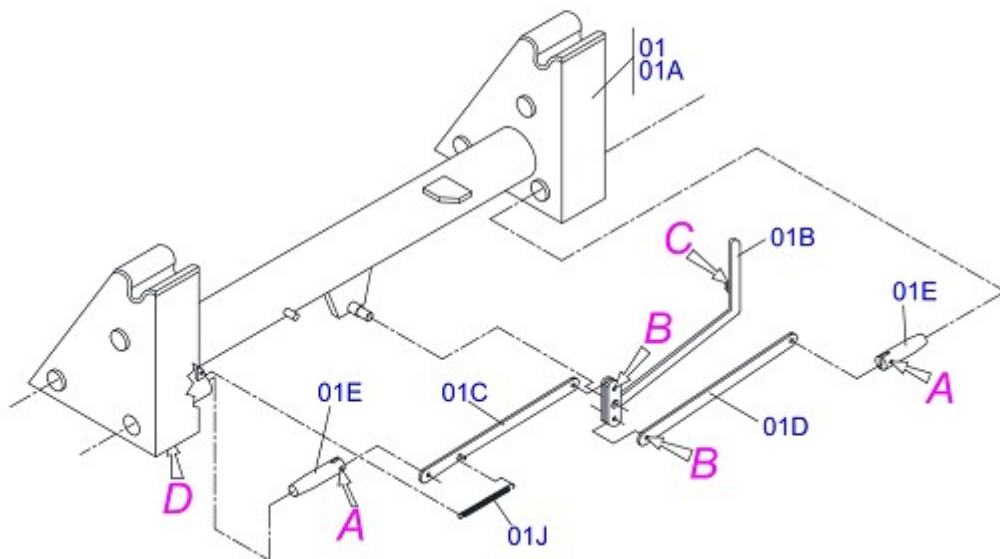
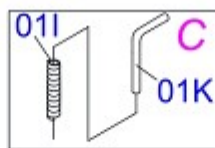
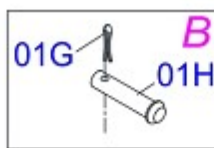
MARCHESAN RESERVES THE RIGHT AT ANY TIME TO MAKE IMPROVEMENTS IN THE DESIGN, MATERIAL OR SPECIFICATIONS OF MACHINERY, EQUIPMENT OR PARTS WITHOUT THEREBY BECOMING LIABLE TO MAKE SIMILAR CHANGES IN MACHINERY, EQUIPMENT OR PARTS PREVIOUSLY SOLD.



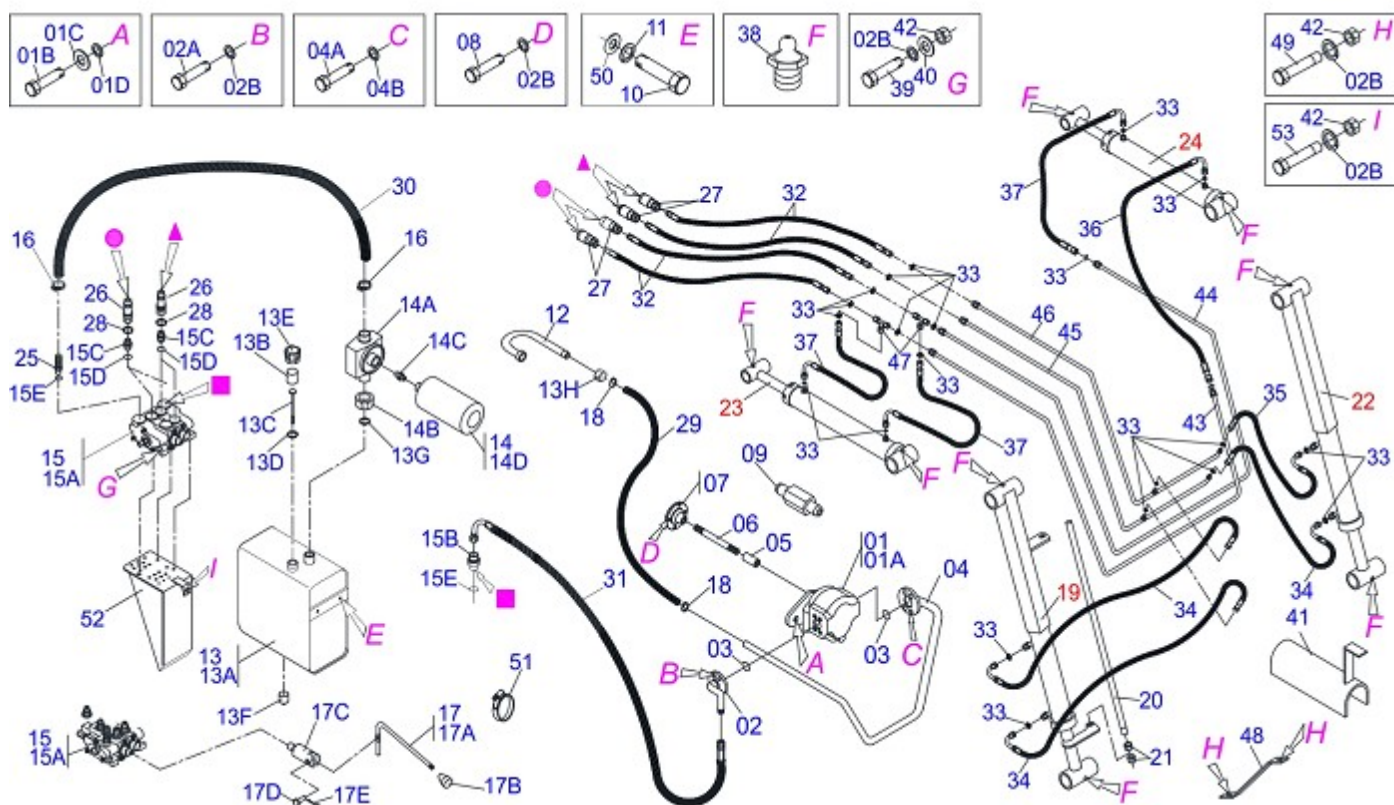
Item	Code	Description	QT
000	0909091226	PCA-T MF 292-4 ADV SHT CD	
01	0511066304	RIGHT FRAME	01
02	0511066303	LEFT FRAME	01
03	0511064410	1.5" X 8.1" COUPLING SHAFT	02
04	0503030430	7/16 X 2" PIN LOCK	02
05	0501018059	3/4" X 2-1/4" BOLT	08
06	0503010023	3/4" SPRING WASHER	08
07	0511066080	MOBILE TOWER	02
08	0541014981	1.5" X 6.3" COUPLING SHAFT	04
09	0503010073	3/8" X 3-1/2" COTTERPIN	54
10	0503010002	GREASE FITTING	06
11	0511043354	MOBILE SUPPORT ASSY	01
11A	0511066107	MOBILE SUPPORT	01
12	0541014980	1.5" X 6.7" COUPLING SHAFT	12
13	0541014982	1.5" X 5.7" COUPLING SHAFT	02
14	0511066074	ARM PIVOT	02
15	0511066116	COPY ROCKER ARM	04
16	0511066120	LEFT SMALLER COPY	02
17	0511066123	SMALLER COPY	02
18	0541014984	1.5" X 8.8" COUPLING SHAFT	06
19	0511043359	ARTICULATION ASSY	01
19A	0511066088	ARTICULATION	01
20	0503013432	HOSE/TUBE CLAMP	10
21	0503013431	COVER PLATE	10
22	0501010096	3/8" X 2" BOLT	10
23	0503010025	3/8" SPRING WHASHER	12
24	0511066078	PLOUGH SUPPORT	02
25	0501055889	TURNBUKLE ASSY	02
25A	0511066077	ADJUSTING NUT	01
25B	0511066075	RIGHT JACK	01
25C	0511066076	JACK CRANK	01
26	0541014979	0.7" X 3.1" COUPLING SHAFT	02
27	0541014985	0.7" X 4.6" COUPLING SHAFT	02



Item	Code	Description	QT
28	0503010131	3/16" X 1-1/2" COTTERPIN	06
29	0503030168	HAIR PIN	02
30	0503030012	HAIR PIN	02
31	0501043212	ROD 1.1/4" NC X 3.818" ASSY	01
31A	0501014915	ROD 1.1/4" NC X 3.818"	01
32	0501010087	1.1/4" UNC NUT	04
33	0501014778	FRAME BRACKET	02
34	0501010500	3/4" X 3" BOLT	04
35	0501010322	FLAT WASHER	12
36	0503010014	3/4" NUT	04
37	0511066079	LARGER COPY	01
38	0501063411	ESTABILIZER BRACKET	02
39	0501010571	3/4 NC X 3/4 NF X 56 PRISONER	04
40	0503010335	3/4" NUT	04
41	0511043327	2600MM DOZER BLADE ASSY PCA-T 1750	01
41A	0511066110	DOZER BLADE	01
41B	0622360011	2600 SCRAPER REVERSIBLE	01
41C	0501012240	5/8" X 2-1/2" BOLT	08
41D	0501010301	FLAT WASHER	08
41E	0503010027	5/8" SPRING WASHER	08
41F	0503010013	5/8" NUT	08
42	0511010153	2-5/16" FIXED WRENCH	01
43	0501068213	5/8" WRENCH DOUBLE	01
44	0501010161	1/2" X 1-1/4" BOLT	02
45	0503010019	1/2" SPRING WASHER	02
46	0511017302	FLAT WASHER	02
47	0511066394	TANK SUPPORT	01
47A	0503011267	5/8" X 1.1/2" BOLT	04
47B	0503010027	5/8" SPRING WASHER	04
47C	0501012140	FLAT WASHER	04
48	0541015550	0.5" X 0.63" X 1.9" SLEEVE	02
49	0503010765	3/8" X 3" BOLT	02
50	0541015551	0.39" X 0.512" X 1.9" SLEEVE	02
51	0503011332	5/16" X 2-3/4" BOLT	02
52	0503010179	5/16" SPRING WASHER	02



Item	Code	Description	QT
01	0511043359	ARTICULATION ASSY	
01A	0511066088	ARTICULATION	01
01B	0511066180	DISASSEMBLE LEVER	01
01C	0541014965	RIGHT ARM BODY	02
01D	0541014964	BODY LEFT ARM DISARM	01
01E	0541014963	LOCK PIN PCA-T 1750	02
01F	0521011677	COUPLING SHAFT	01
01G	0503010257	1/8" X 1" COTTERPIN	04
01H	0541014973	COUPLING SHAFT	02
01I	0503032132	COMPRESSION SPRING	01
01J	0541014962	DISASSEMBLE TRIGGER	01
01K	0503031574	6.9" X 0.8" X 0.1" EXTENSION SPRING	01
01L	0503010002	GREASE FITTING	02



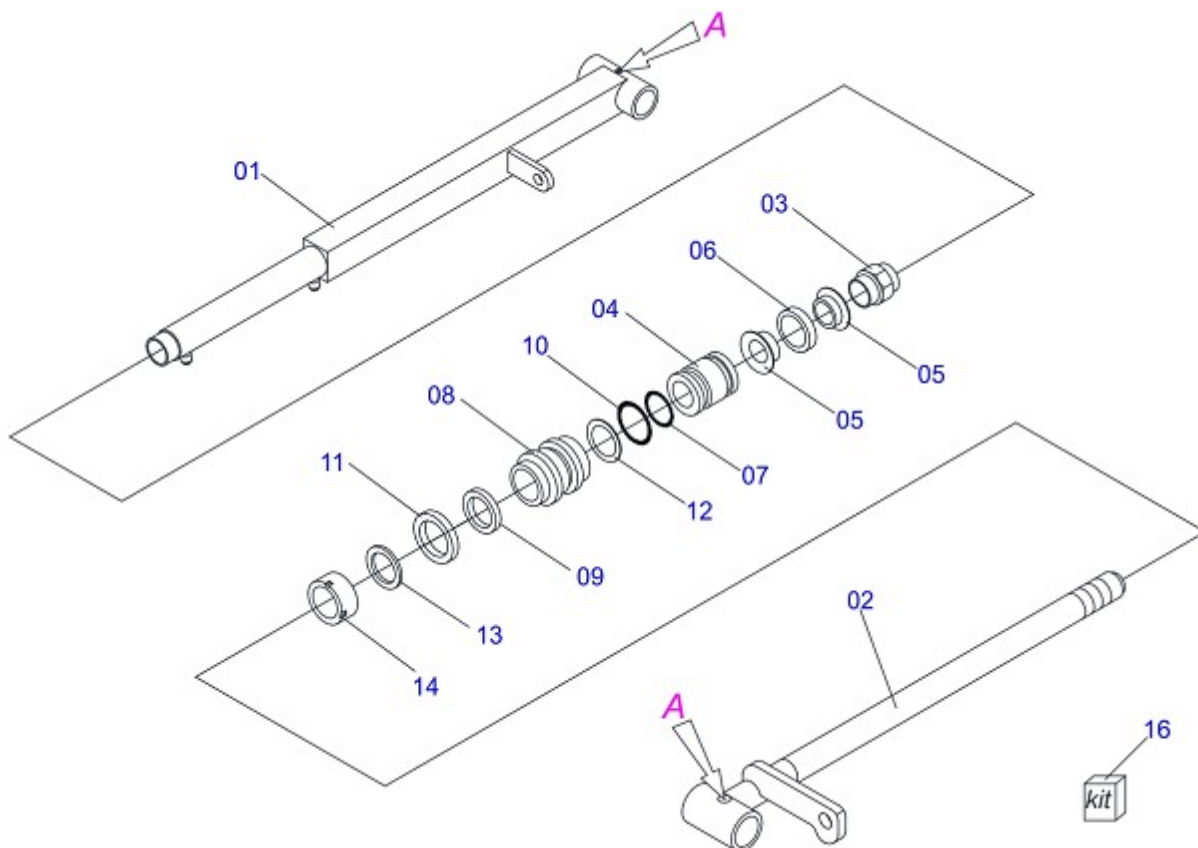
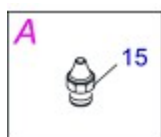
Item	Code	Description	
01	0501046947	PUMP WITH TUBE	01
01A	0503060045	40L 1/2" PUMP	01
01B	0503010920	1/2" X 1.1/2" BOLT	02
01C	0511017302	FLAT WASHER	02
01D	0503010019	1/2" SPRING WASHER	02
02	0501067702	PUMP PRESSURE TUBE	01
02A	0503010237	3/8" X 1" HEX BOLT G5	04
02B	0503010025	3/8" SPRING WHASHER	16
03	0503010173	2-220 N 3006-9B O'RING	02
04	0501066791	PUMP SUCTION TUBE	01
04A	0503010355	7/16" X 1" BOLT	04
04B	0503010180	7/16" SPRING WASHER	04
05	0503030838	1-1/8" X 2.4" SLEEVE	01
06	0501067773	1-1/8" X 18.62" AXLE	01
07	0503050003	COUPLING FLANGE	01
08	0503010175	3/8" X 1-1/4" BOLT	04
09	0503010025	3/8" SPRING WHASHER	09
09.	0521014428	EXTENSION HEX	02
10	0501010161	1/2" X 1-1/4" BOLT	02
11	0503010019	1/2" SPRING WASHER	02
12	0501063383	TANK OUTER TUBE	01
13	0501047808	RESERVOIR OIL ASSY	01
13A	0501068882	RESERVOIR OIL	01
13B	0503030044	FILTERING ELEMENT	01
13C	0501060975	OIL GAGE	01
13D	0503010185	2-221 N 3006-9B O'RING	01
13E	0502020472	TANK COVER BODY	01
13F	0503031604	1/2" BSP PLUG	01
13G	0503010046	2-216 N 3006-9B O'RING	01
13H	0501016309	2" 1X 2.5/16" NUT	01
14	0501041108	RETURNING FILTER ASSY	01
14A	0502050002	RETURNING FILTER HEAD	01
14B	0501010594	1" NUT HEX	01



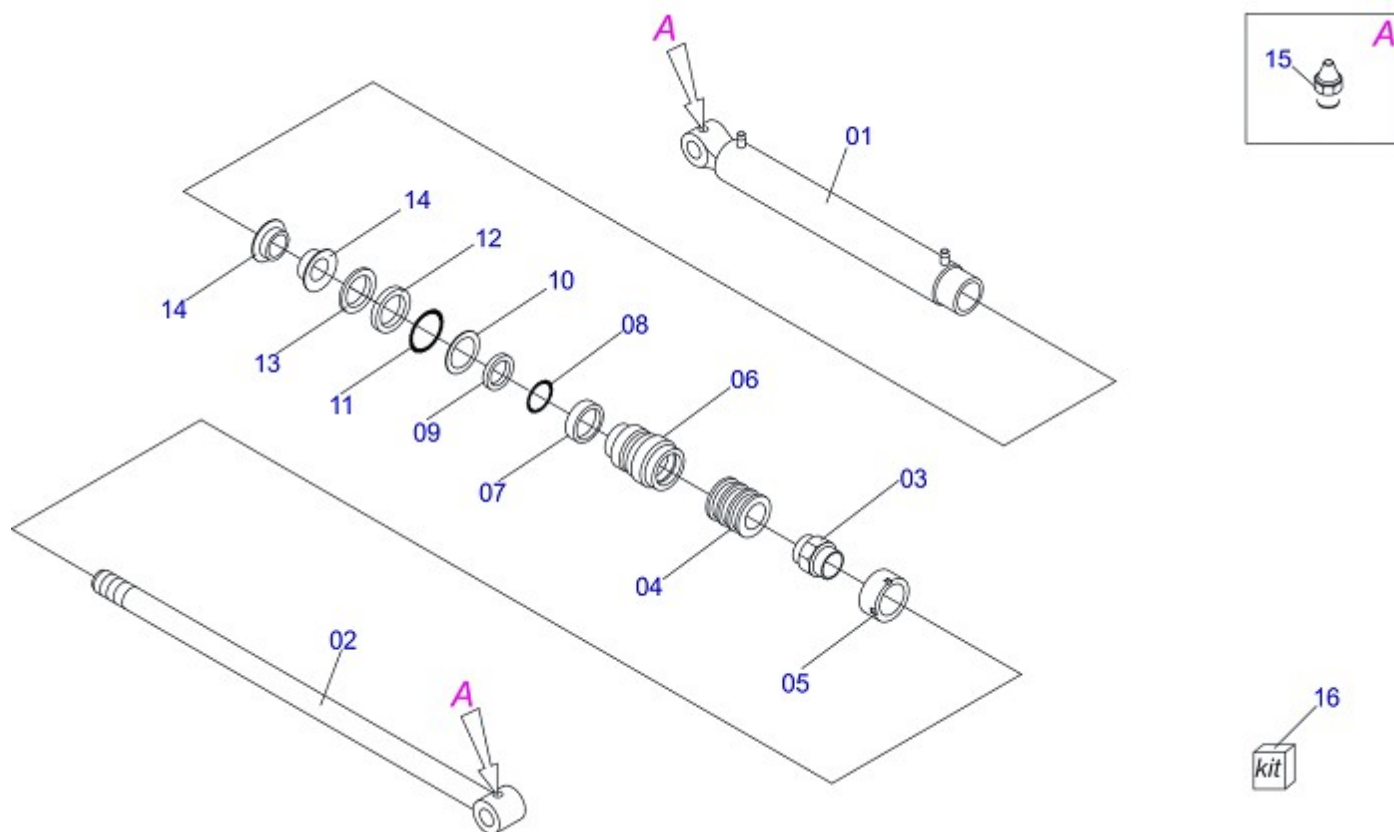
HYDRAULIC CIRCUIT SHT

0909091228

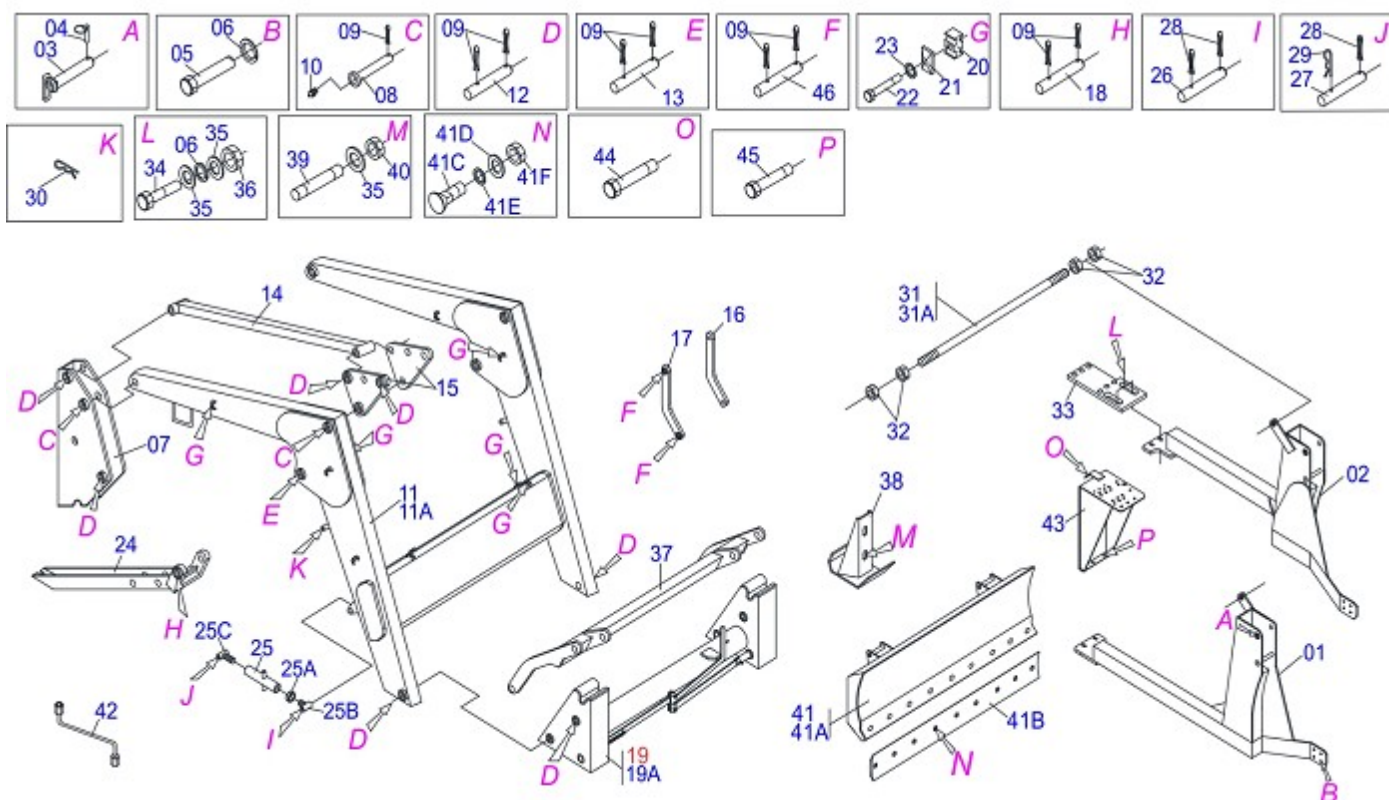
Item	Code	Description	
14C	0501010595	1" NF NIPPLE	01
14D	0503010183	RETURNING FILTER	01
15	0511043355	1/2" DOUBLE COMMAND ASSY	01
15A	0503060081	1/2" DOUBLE COMMAND	01
15B	0501010589	1-1/16 NIPPLE	01
15C	0541015143	7/8"UNF X 1/2"NPT NIPPLE	04
15D	0503010045	2-116 N 3006-9B O'RING	04
15E	0503010602	2-211 N 3006-9B O'RING	02
16	0503010184	1-1/4" TO 1-1/2" CLAMP	02
17	0501068681	1/2" CONTROL VALVE	02
17A	0501047446	CONTROL VALVE (P/COM 1/2 PCA)	02
17B	0503030878	LEVER CRANK	02
17C	0503030347	UPPER LEVER ASSY (SAUER DANFOSS)	02
17D	0521010533	0.3" X 1" COUPLING SHAFT	02
17E	0503010140	1/8" X 3/4" COTTERPIN	02
18	0503010243	1-1/2" TO 2" CLAMP	02
19	0511043342	HYDRAULIC CYLINDER	01
20	0541014990	ROD REGULACION	01
21	0503010013	5/8" NUT	02
22	0511043341	HYDRAULIC CYLINDER	01
23	0511043345	HYDRAULIC CYLINDER	01
24	0511043346	HYDRAULIC CYLINDER	01
25	0501010591	HOSE NIPPLE	01
26	0501053834	QUICK CONECTION (MALE) 1/2NPT	04
27	0501053835	FEMALE QUICK COUPLER	04
28	0503010714	2-015 N 3006-9B O'RING	04
29	0541015549	1-1/4" X 62.204" HOSE ASSY	01
30	0501018913	1" X 35.43" AB-AB HOSE	01
31	0501080560	3/4" X 106.299" HOSE HOLDER ASSY	01
32	0501080994	1/2" X 102" TR-TM OFS HOSE	04
33	0503010714	2-015 N 3006-9B O'RING	18
34	0501080971	1/2" X 33.46" TR-TC HOSE ASSY	02
35	0501080970	1/2" X 23.6" TR-TC OFS HOSE	02
36	0501080554	1/2" X 27.6" TR-TC OFS HOSE	01
37	0501080969	1/2" X 29.5" TR-TC OFS HOSE	03
38	0503010002	GREASE FITTING	02
39	0501010080	3/8" X 1-1/2" BOLT	03
40	0501010984	FLAT WASHER	03
41	0511066249	2" HOSE SUPPORT	01
42	0503010026	3/8" NUT	06
43	0511066208	MOBILE SUPPORT CYL SMALLE TUBE	01
44	0511066209	MOBILE SUPPORT CYL LARGER TUBE	01
45	0511066210	PIVOT CYL LARGER TUBE	01
46	0511066211	PIVOT CYL SMALLE TUBE	01
47	0503030964	T CONNECTOR	02
48	0521012541	REDLIGHT SUPPORT	02
49	0503010237	3/8" X 1" HEX BOLT G5	02
50	0511017302	FLAT WASHER	02
51	0503010246	2" TO 2/1/2" CLAMP	02
52	0511066306	SUPPORT CONTROL VALVE	01
53	0501010080	3/8" X 1-1/2" BOLT	01



Item	Code	Description	
00	0511043341	HYDRAULIC CYLINDER	01
00A	0511043342	HYDRAULIC CYLINDER	01
01	0511066171	RIGHT 2.5" X 38.5" CYLINDER CASE	01
02	0511066166	1.5" X 2.20" TURNBUCLE	01
03	0503010063	1" SELF-ALIGNING NUT	01
04	0502010783	1.5" X 2.5" PISTON	01
05	0503010160	2500 2000 GASKET	02
06	0503010973	W2-2500-500 PK RING G.E	01
07	0503010285	2-222 N 3006-9B O'RING	01
08	0502010780	RING SUPPORT	01
09	0503010970	W1-1650-500 PK RING G.E	01
10	0503010161	2-330 N 3006 9B O'RING	01
11	0503010989	1870-1500-375-B GASKET	01
12	0503011058	8-330 BACK-UP RING	01
13	0503010163	D-1500 SCRAPER RING	01
14	0502010471	DETACHABLE COVER	01
15	0503010002	GREASE FITTING	02
16	0501032666	HYDRAULIC CYLINDER REPAIR KIT	



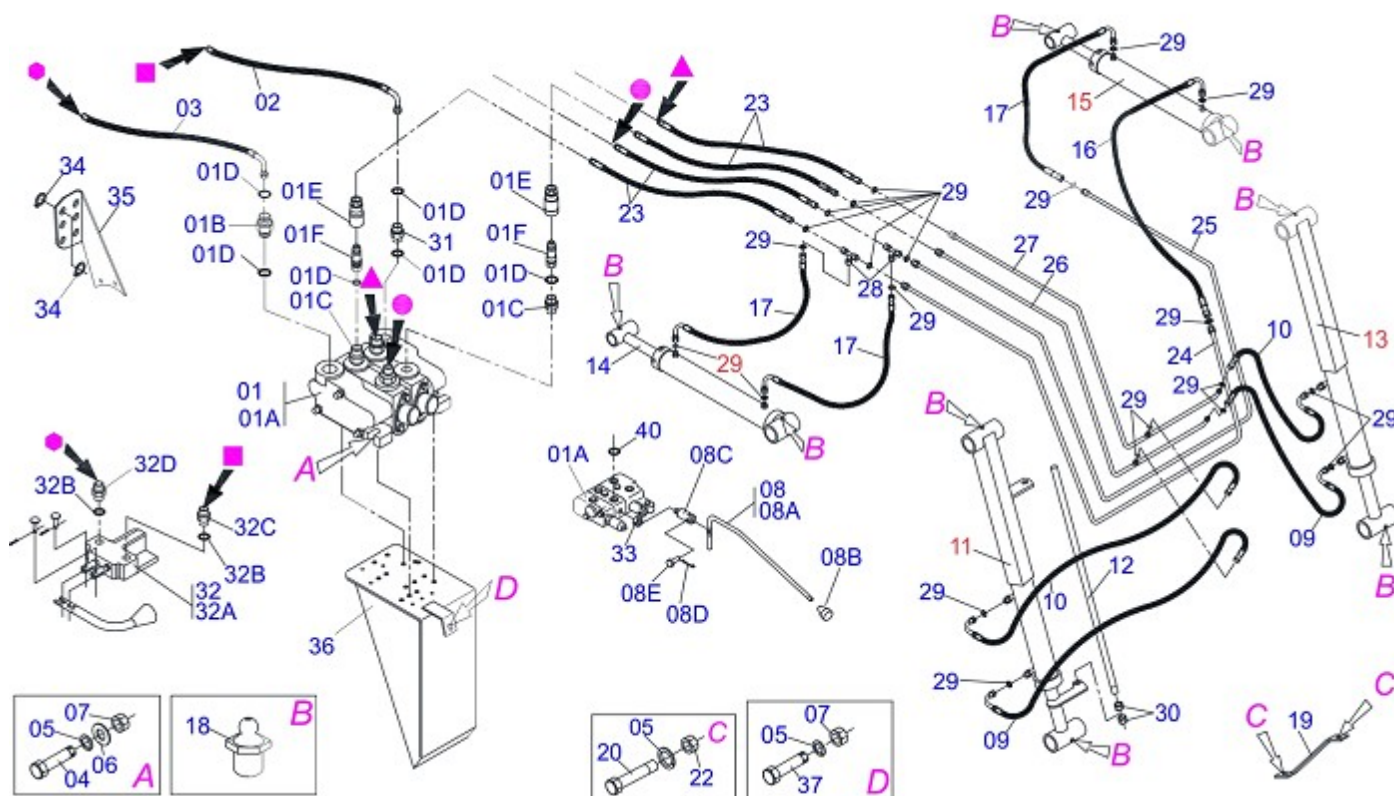
Item	Code	Description	
00	0511043345	HYDRAULIC CYLINDER	01
00A	0511043346	HYDRAULIC CYLINDER	01
01	0511066172	1.5" X 36.6" TURNBUCLE	01
02	0511066172	1.5" X 36.6" TURNBUCLE	01
03	0503010063	1" SELF-ALIGNING NUT	01
04	0502010843	1.8" X 3.4" PISTON	01
05	0502011185	3.4" DETACHABLE COVER	01
06	0502011200	RING SUPPORT	01
07	0503010948	W4-3346-590 PK RING G.E	01
08	0503010042	2-214 N 3006-9B O'RING	01
09	0503010949	W2-2000-500 PK RING G.E	01
10	0503011060	8-336 BACK-UP RING	01
11	0503010976	2-336 N 3006-9B O'RING	01
12	0503010990	GASKET	01
13	0503010761	D-1750 SCRAPER RING	01
14	0503010170	PACKING 3120 2750	02
15	0503010002	GREASE FITTING	01
16	0501031796	HYDRAULIC CYLINDER REPAIR KIT	



Item	Code	Description	
00	0909091552	PCA-T MF 292-4 ADV BT CD	
01	0511066303	LEFT FRAME	01
02	0511066303	LEFT FRAME	01
03	0511064410	1.5" X 8.1" COUPLING SHAFT	02
04	0503030430	7/16 X 2" PIN LOCK	02
05	0501018059	3/4" X 2-1/4" BOLT	08
06	0503010023	3/4" SPRING WASHER	08
07	0511066080	MOBILE TOWER	02
08	0541014981	1.5" X 6.3" COUPLING SHAFT	04
09	0503010073	3/8" X 3-1/2" COTTERPIN	40
10	0503010002	GREASE FITTING	04
11	0511043354	MOBILE SUPPORT ASSY	01
11A	0511066107	MOBILE SUPPORT	01
12	0541014980	1.5" X 6.7" COUPLING SHAFT	12
13	0541014982	1.5" X 5.7" COUPLING SHAFT	02
14	0511066074	ARM PIVOT	02
15	0511066116	COPY ROCKER ARM	04
16	0511066120	LEFT SMALLER COPY	02
17	0511066123	SMALLER COPY	02
18	0541014984	1.5" X 8.8" COUPLING SHAFT	06
19	0511043359	ARTICULATION ASSY	01
19A	0511066088	ARTICULATION	01
20	0503013432	HOSE/TUBE CLAMP	10
21	0503013431	COVER PLATE	10
22	0501010096	3/8" X 2" BOLT	10
23	0503010025	3/8" SPRING WHASHER	10
24	0511066078	PLOUGH SUPPORT	02
25	0501055889	TURNBUKLE ASSY	02
25A	0511066077	ADJUSTING NUT	01
25B	0511066075	RIGHT JACK	01
25C	0511066076	JACK CRANK	01
26	0541014979	0.7" X 3.1" COUPLING SHAFT	02
27	0541014985	0.7" X 4.6" COUPLING SHAFT	02



Item	Code	Description	
28	0503010131	3/16" X 1-1/2" COTTERPIN	06
29	0503030168	HAIR PIN	02
30	0503030012	HAIR PIN	02
31	0501043212	ROD 1.1/4" NC X 3.818" ASSY	01
31A	0501014915	ROD 1.1/4" NC X 3.818"	01
32	0501010087	1.1/4" UNC NUT	04
33	0501014778	FRAME BRACKET	02
34	0501010500	3/4" X 3" BOLT	04
35	0501010322	FLAT WASHER	08
36	0503010014	3/4" NUT	04
37	0511066079	LARGER COPY	01
38	0501063411	ESTABILIZER BRACKET	02
39	0501010571	3/4 NC X 3/4 NF X 56 PRISONER	04
40	0503010335	3/4" NUT	04
41	0511043327	2600MM DOZER BLADE ASSY PCA-T 1750	01
41A	0511066110	DOZER BLADE	01
41B	0622360011	2600 SCRAPER REVERSIBLE	01
41C	0501012240	5/8" X 2-1/2" BOLT	08
41D	0501010301	FLAT WASHER	08
41E	0503010027	5/8" SPRING WASHER	08
41F	0503010013	5/8" NUT	08
42	0501068213	5/8" WRENCH DOUBLE	01



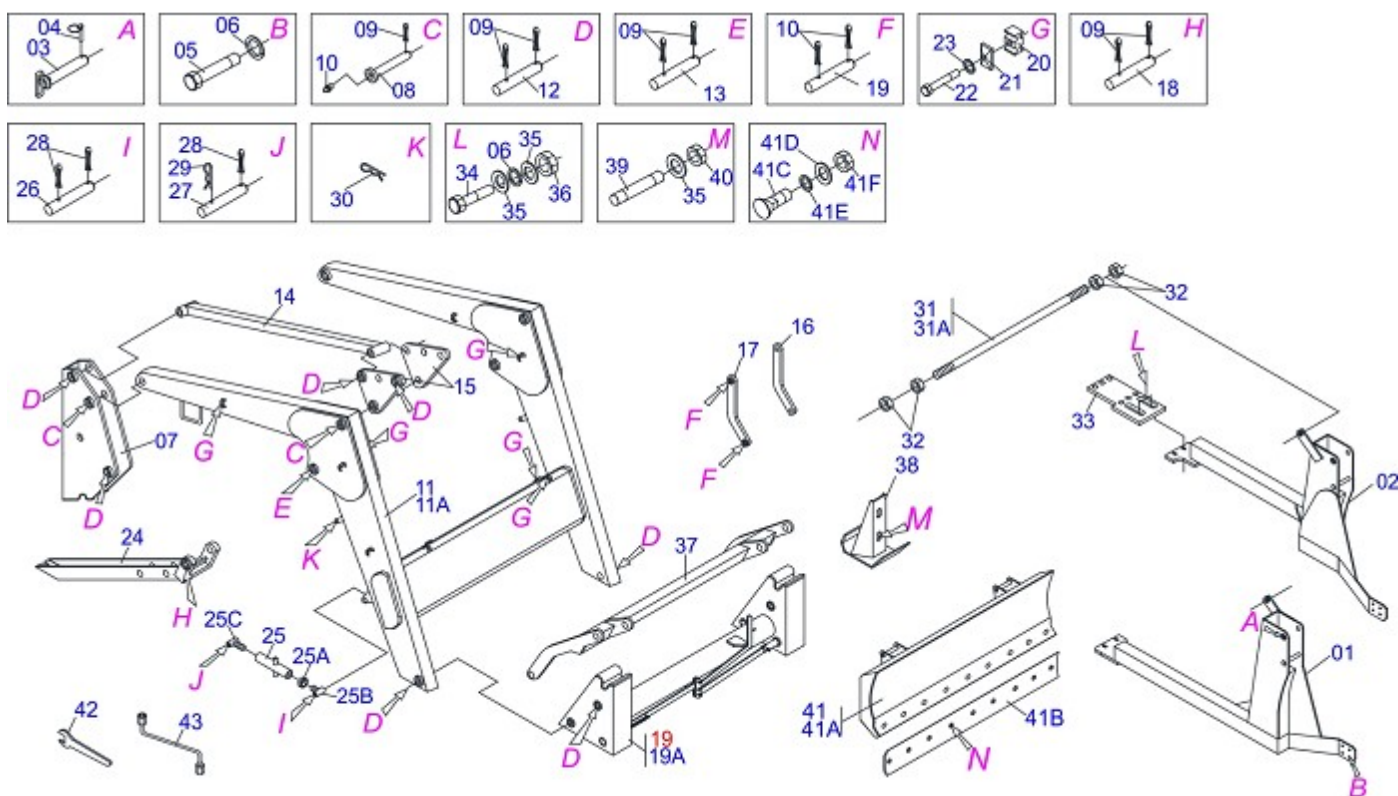
Item	Code	Description	
01	0511043452	3/8" DOUBLE COMMAND ASSY	01
01A	0503060079	3/8" DOUBLE COMMAND VALVE	01
01B	0501010590	7/8" HEX NIPPLE	01
01C	0541015143	7/8"UNF X 1/2"NPT NIPPLE	04
01D	0503010045	2-116 N 3006-9B O'RING	06
01E	0501053835	FEMALE QUICK COUPLER	04
01F	0501053834	QUICK CONECTION (MALE) 1/2NPT	04
02	0501080412	3/8" X 90.55" TR-TC HOSE	01
03	0501080827	1/2" X 90.55" TR-TR HOSE	01
04	0501010080	3/8" X 1-1/2" BOLT	03
05	0503010025	3/8" SPRING WHASHER	05
06	0501010984	FLAT WASHER	03
07	0503010026	3/8" NUT	03
08	0511019737	LEVER BODY	02
08A	0501047446	CONTROL VALVE (P/COM 1/2 PCA)	02
08B	0503030878	LEVER CRANK	02
08C	0503011050	LOWER LEVER	02
08D	0503010140	1/8" X 3/4" COTTERPIN	02
08E	0521010532	0.3" X 0.9" COUPLING SHAFT	02
09	0501080971	1/2" X 33.46" TR-TC HOSE ASSY	02
10	0501080970	1/2" X 23.6" TR-TC OFS HOSE	02
11	0511043342	HYDRAULIC CYLINDER	01
12	0541014990	ROD REGULACION	01
13	0511043341	HYDRAULIC CYLINDER	01
14	0511043345	HYDRAULIC CYLINDER	01
15	0511043346	HYDRAULIC CYLINDER	01
16	0501080554	1/2" X 27.6" TR-TC OFS HOSE	01
17	0501080969	1/2" X 29.5" TR-TC OFS HOSE	03
18	0503010002	GREASE FITTING	08
19	0521012541	REDLIGHT SUPPORT	02
20	0503010237	3/8" X 1" HEX BOLT G5	02
21	0501010694	FLAT WASHER	02
22	0503010026	3/8" NUT	02



HYDRAULIC CIRCUIT BT CD

0909091227

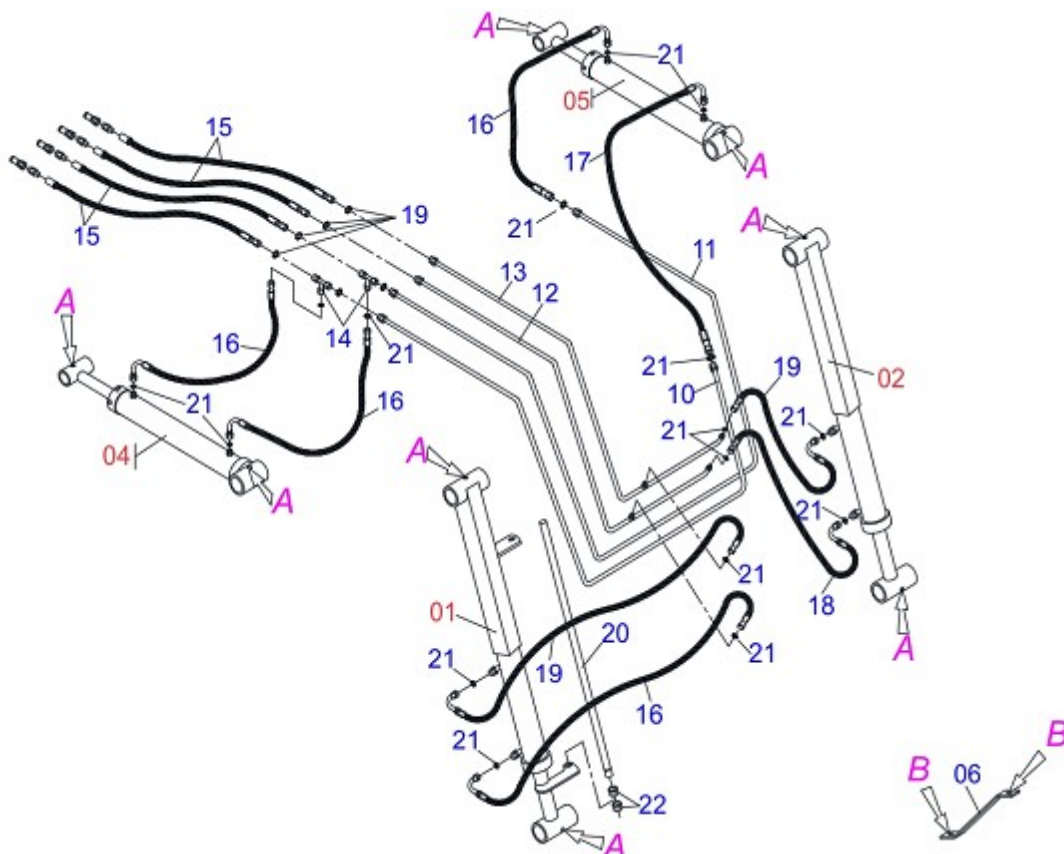
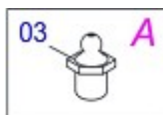
Item	Code	Description	
23	0501081003	1/2" X 94.488" TR-TM HOSE ASSY	04
24	0511066208	MOBILE SUPPORT CYL SMALLE TUBE	01
25	0511066209	MOBILE SUPPORT CYL LARGER TUBE	01
26	0511066210	PIVOT CYL LARGER TUBE	01
27	0511066211	PIVOT CYL SMALLE TUBE	01
28	0503030964	T CONNECTOR	02
29	0503010714	2-015 N 3006-9B O'RING	18
30	0503010013	5/8" NUT	02
31	0511010111	7/8" NIPPLE	01
32	0501041892	V002/0012 FLOW DIVIDING VALVE ASSY	01
32A	0503060064	V002-0012 FLOW DIVIDING VALVE	01
32B	0503010190	2-114 N 3006-9B O'RING	02
32C	0501010111	SPACING BUSHING CM 225	01
32D	0501010617	3/4" NIPPLE	01
33	0511043452	3/8" DOUBLE COMMAND ASSY	02
34	0503010217	501040 CLAMPING RING (FOR AXLE)	08
35	0511019730	QUICK COUPLING SUPPORT	01
36	0501014688	SUPPORT CONTROL VALVE	01
37	0501010080	3/8" X 1-1/2" BOLT	01
38	0503010179	5/16" SPRING WASHER	02
39	0503010337	5/16" NUT	02
40	0503010392	2-046 N 3006 9B O'RING	02



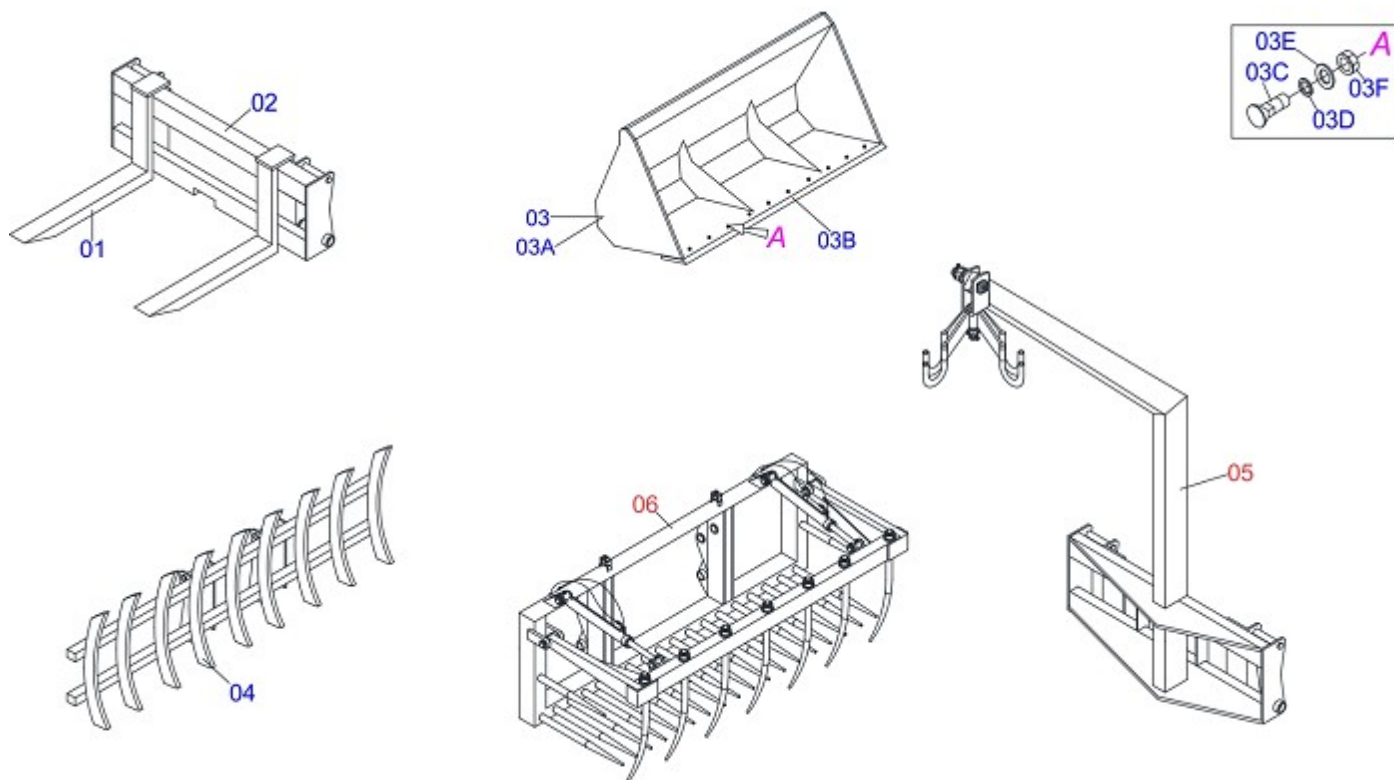
Item	Code	Description	
00	0909091553	PCA-T MF 292-4 ADV BT S/C	
01	0511066303	LEFT FRAME	01
02	0511066303	LEFT FRAME	01
03	0511064410	1.5" X 8.1" COUPLING SHAFT	02
04	0503030430	7/16 X 2" PIN LOCK	02
05	0501018059	3/4" X 2-1/4" BOLT	08
06	0503010023	3/4" SPRING WASHER	08
07	0511066080	MOBILE TOWER	02
08	0541014981	1.5" X 6.3" COUPLING SHAFT	04
09	0503010073	3/8" X 3-1/2" COTTERPIN	54
10	0503010002	GREASE FITTING	06
11	0511043354	MOBILE SUPPORT ASSY	01
11A	0511066107	MOBILE SUPPORT	01
12	0541014980	1.5" X 6.7" COUPLING SHAFT	12
13	0541014982	1.5" X 5.7" COUPLING SHAFT	02
14	0511066074	ARM PIVOT	02
15	0511066116	COPY ROCKER ARM	04
16	0511066120	LEFT SMALLER COPY	02
17	0511066123	SMALLER COPY	02
18	0541014984	1.5" X 8.8" COUPLING SHAFT	06
19	0511043359	ARTICULATION ASSY	01
19A	0511066088	ARTICULATION	01
20	0503013432	HOSE/TUBE CLAMP	10
21	0503013431	COVER PLATE	10
22	0501010096	3/8" X 2" BOLT	10
23	0503010025	3/8" SPRING WHASHER	12
24	0511066078	PLOUGH SUPPORT	02
25	0501055889	TURNBUKLE ASSY	02
25A	0511066077	ADJUSTING NUT	01
25B	0511066075	RIGHT JACK	01
25C	0511066076	JACK CRANK	01
26	0541014979	0.7" X 3.1" COUPLING SHAFT	02
27	0541014985	0.7" X 4.6" COUPLING SHAFT	02



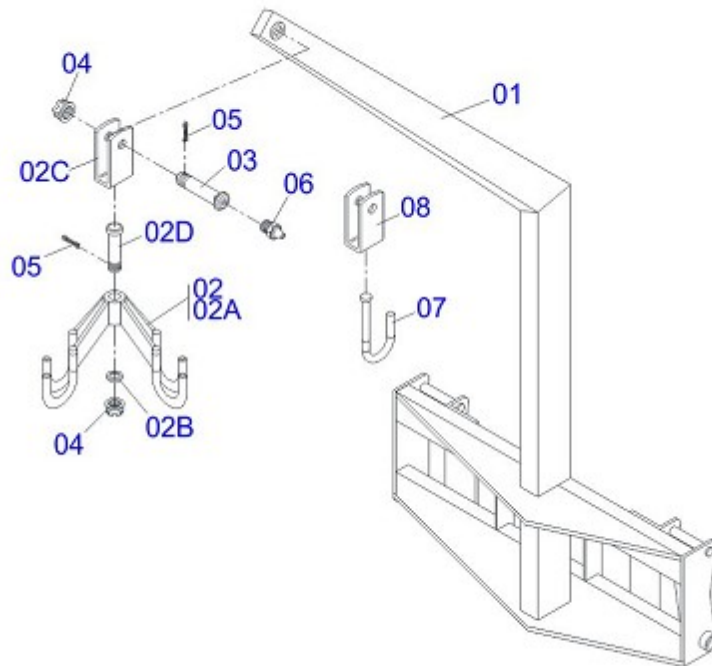
Item	Code	Description	
28	0503010131	3/16" X 1-1/2" COTTERPIN	06
29	0503030168	HAIR PIN	02
30	0503030012	HAIR PIN	02
31	0501043212	ROD 1.1/4" NC X 3.818" ASSY	01
31A	0501014915	ROD 1.1/4" NC X 3.818"	01
32	0501010087	1.1/4" UNC NUT	04
33	0501014778	FRAME BRACKET	02
34	0501010500	3/4" X 3" BOLT	04
35	0501010322	FLAT WASHER	08
36	0503010014	3/4" NUT	04
37	0511066079	LARGER COPY	01
38	0501063411	ESTABILIZER BRACKET	02
39	0501010571	3/4 NC X 3/4 NF X 56 PRISONER	04
40	0503010335	3/4" NUT	04
41	0511043327	2600MM DOZER BLADE ASSY PCA-T 1750	01
41A	0511066110	DOZER BLADE	01
41B	0622360011	2600 SCRAPER REVERSIBLE	01
41C	0501012240	5/8" X 2-1/2" BOLT	08
41D	0501010301	FLAT WASHER	08
41E	0503010027	5/8" SPRING WASHER	08
41F	0503010013	5/8" NUT	08
42	0511010153	2-5/16" FIXED WRENCH	01
43	0501068213	5/8" WRENCH DOUBLE	01



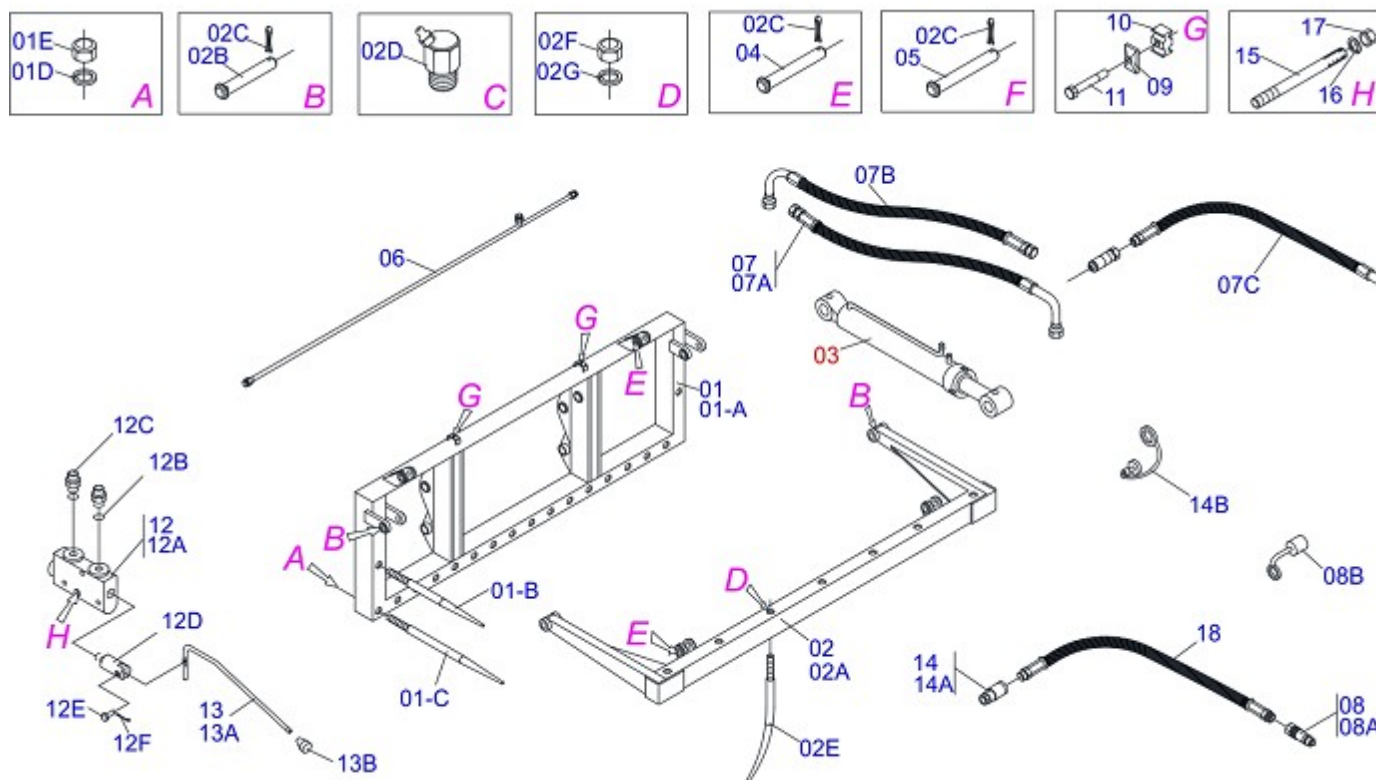
Item	Code	Description	
00	0909092226	HYDRAULIC CIRCUIT	
01	0511043342	HYDRAULIC CYLINDER	01
02	0511043341	HYDRAULIC CYLINDER	01
03	0503010002	GREASE FITTING	08
04	0511043345	HYDRAULIC CYLINDER	01
05	0511043346	HYDRAULIC CYLINDER	01
06	0521012541	REDLIGHT SUPPORT	02
07	0503010237	3/8" X 1" HEX BOLT G5	02
08	0503010025	3/8" SPRING WHASHER	09
09	0503010026	3/8" NUT	02
10	0511066208	MOBILE SUPPORT CYL SMALLE TUBE	01
11	0511066209	MOBILE SUPPORT CYL LARGER TUBE	01
12	0511066210	PIVOT CYL LARGER TUBE	01
13	0511066211	PIVOT CYL SMALLE TUBE	01
14	0503030964	T CONNECTOR	02
15	0501080994	1/2" X 102" TR-TM OFS HOSE	04
16	0501080969	1/2" X 29.5" TR-TC OFS HOSE	03
17	0501080554	1/2" X 27.6" TR-TC OFS HOSE	01
18	0501080971	1/2" X 33.46" TR-TC HOSE ASSY	02
19	0501080970	1/2" X 23.6" TR-TC OFS HOSE	02
20	0541014990	ROD REGULACION	01
21	0503010602	2-211 N 3006-9B O'RING	02
22	0503010013	5/8" NUT	02



Item	Code	Description	
00	0511043319	SAE ASSY	01
01	0511066102	CHARGING BAR SUPPORT	01
02	0511060429	CHARGING BAR	02
03	0511043320	BUCKET ASSY	01
03A	0511066094	PCA-T 1750 BUCKET	01
03B	0541014716	SCRAPER 2220 X 6 X 1/2 PCA-T 1750	01
03C	0503012956	1/2" X 1-1/2" BOLT	10
03D	0511017302	FLAT WASHER	10
03E	0503011440	1/2" SPRING WASHER	10
03F	0503010020	1/2" NUT	10
04	0511066221	2500 ROOT RAKER	01
05	0511043322	SAB COMPLETE FOR PCA-T 1750	01
06	0511043339	GSA COMPL P/PCA-T 1750	01



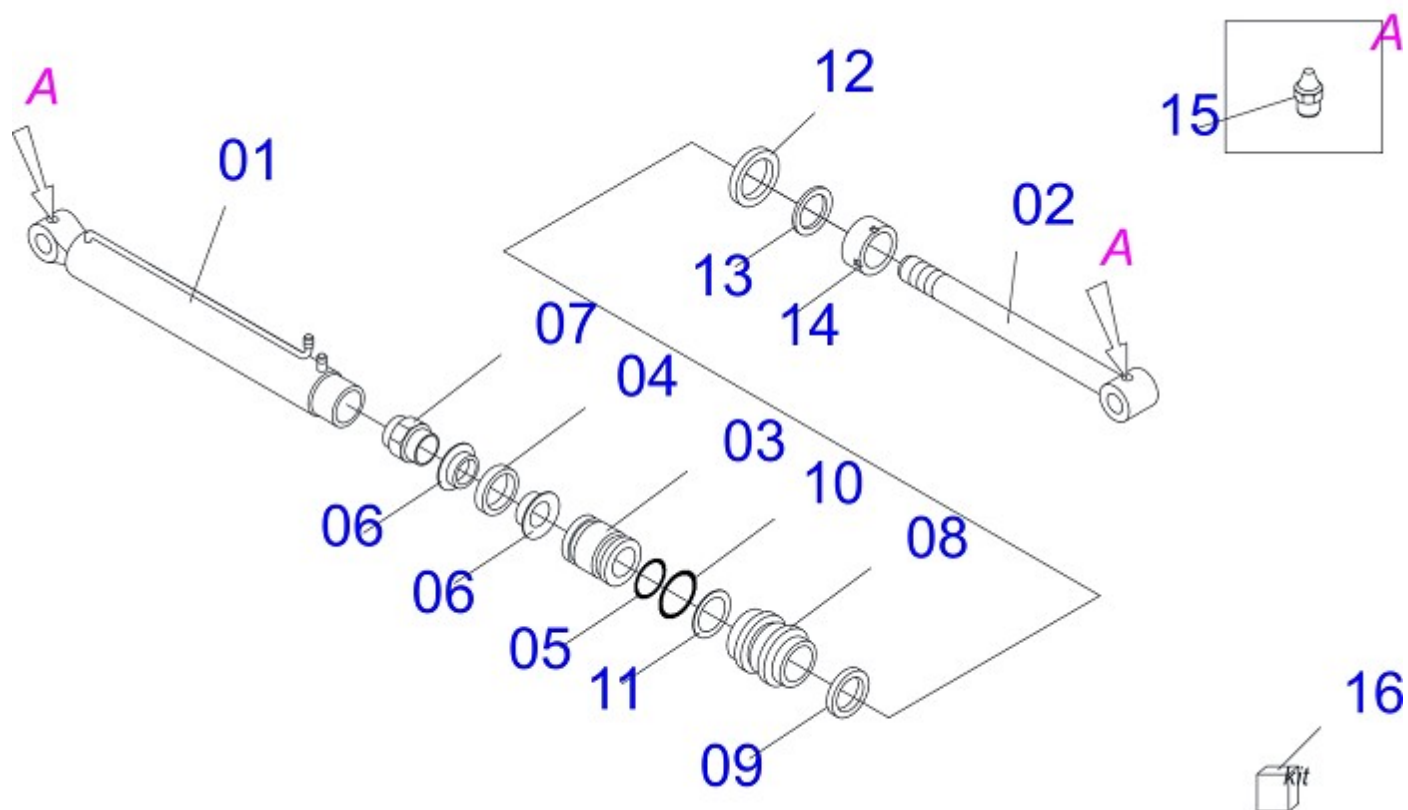
Item	Code	Description	
00	0511043322	SAB COMPLETE FOR PCA-T 1750	01
01	0511066101	CROSSPIECE FIXER SUPPORT	01
02	0501053565	CROSSPIECE ASSY FOR SAB/PD/PCA	01
02A	0511060427	CROSSPIECE	01
02B	0501012916	FLAT WASHER	02
02C	0501069721	U COUPLING FOR CROSSPIECE	01
02D	0521010555	1-1/2" X 5.5" COUPLING SHAFT	01
03	0521012828	1.5" X 6.8" PIVOT SHAFT	01
04	0501011301	1.1/2" CASTLE NUT	02
05	0503010010	1/4" X 2.1/2" COTTERPIN	01
06	0503010002	GREASE FITTING	02
07	0501064475	1-1/4" HOOK	01
08	0501069722	U COUPLING HOOK	01



Item	Code	Description	
00	0511043340	800 GSA ASSY	01
00A	0511043339	GSA COMPL P/PCA-T 1750	01
01	0501055888	FIXED FRAME WITH TEETH	01
01A	0511066138	FIXER FRAME	01
01B	0541014900	1-1/2" X 26" STRAIGHT TEETH	02
01C	0541014899	1-1/2" X 30" STRAIGHT TEETH	18
01D	0503010012	1" SPRING WASHER	20
01E	0503010340	1" UNF NUT	20
02	0501055862	MOBILE FRAME WITH TEETH	01
02A	0511066117	MOBILE FRAME	01
02B	0511019623	0.9" X 5.4" COUPLING SHAFT	02
02C	0503010571	1/4" X 1.1/2" COTTERPIN	06
02D	0503010003	3/8" GREASE FITTING	02
02E	0541014802	1-1/2" X 26" BENT TOOTH	07
02F	0503010012	1" SPRING WASHER	07
02G	0503010340	1" UNF NUT	07
03	0511043335	HYDRAULIC CYLINDER	02
04	0541014926	0.9" X 4.0" COUPLING SHAFT	02
05	0541014925	1" X 5" COUPLING SHAFT	02
06	0501068686	OIL TUBE	01
07	0501053309	HOSE ASSY GSA 800/1100	01
07A	0501080328	3/8" X 29" TR-TC HOSE	02
07B	0501080599	3/8" X 25" TC-TR HOSE	02
07C	0501080601	3/8" X 66.9 TC-TM HOSE	02
08	0501053834	QUICK CONECTION (MALE) 1/2NPT	01
08A	0503011627	QUICK CONECTION (MALE) 1/2NPT	01
08B	0503011882	QUICK CONNECTION COVER	01
09	0503013431	COVER PLATE	02
10	0503013432	HOSE/TUBE CLAMP	02
11	0503011236	3/8" X 2" BOLT	02
12	0501055919	1/2 NIPPLE BODY CENTER	01
12A	0503010423	1/2" CENTER BODY	01
12B	0503010045	2-116 N 3006-9B O'RING	02



Item	Code	Description	
12C	0541015143	7/8"UNF X 1/2"NPT NIPPLE	02
12D	0503030265	UPPER LEVER (PARKER 1/2")	01
12E	0501010593	0.3" X 1" X 1/2" X 1.1 PIN	01
12F	0503010140	1/8" X 3/4" COTTERPIN	01
13	0501047446	CONTROL VALVE (P/COM 1/2 PCA)	01
13A	0501068681	1/2" CONTROL VALVE	01
13B	0503030878	LEVER CRANK	01
14	0501053835	FEMALE QUICK COUPLER	01
14A	0503011628	QUICK CONNECTION(FEM) AGR 1/2 NPT	01
14B	0503011883	QUICK CONNECTION COVER	01
15	0501016988	PRISONER 3/8 NC X 3/8 NC X 270	04
16	0503010025	3/8" SPRING WHASHER	08
17	0503010026	3/8" NUT	08
18	0501080995	1/2" X 145" TM-TM HOSE	02



Item	Code	Description	
00	0511043335	HYDRAULIC CYLINDER	01
01	0511066155	2.5" X 12.9" CYLINDER CASE	01
02	0501068721	1.5" X 14.1" TURNBUCLE	01
03	0502010783	1.5" X 2.5" PISTON	01
04	0503010973	W2-2500-500 PK RING G.E	01
05	0503010285	2-222 N 3006-9B O'RING	01
06	0503010160	2500 2000 GASKET	02
07	0503010063	1" SELF-ALIGNING NUT	01
08	0502010780	RING SUPPORT	01
09	0503010970	W1-1650-500 PK RING G.E	01
10	0503010161	2-330 N 3006 9B O'RING	01
11	0503011058	8-330 BACK-UP RING	01
12	0503010989	1870-1500-375-B GASKET	01
13	0503010163	D-1500 SCRAPER RING	01
14	0502010471	DETACHABLE COVER	01
15	0503010002	GREASE FITTING	02
16	0501032666	HYDRAULIC CYLINDER REPAIR KIT	

ANNOTATIONS

**ORIGINAL PARTS
TATU**



MARCHESAN



MARCHESAN

MARCHESAN IMPLEMENTOS E MÁQUINAS AGRÍCOLAS TATU S.A.

AV. Marchesan, 1979 - Post office box, 131 - CEP 15994-900 - Matão - SP - Brazil

Phone +55 16.3382-8282

(FAX Parts) + 55 16.3382. 8297 - (Export) + 55 16.3382.1003

e.mail: tatu@marchesan.com.br www.marchesan.com.br

*Drafting and Illustration = GASPARI
e.mail = jgaspari@marchesan.com.br*

**ORIGINAL PARTS
TATU**



MARCHESAN