

OFFSET DISK HARROW

GASPCW 9017 23/25/29D - DMO - 2.1/2 AXLE

Code: 0501090734
Series: S-0723
Revision: 00
Date Revision: JULHO/2023

PARTS CATALOGUE



MARCHESAN



PRODUCTS

Code	Description
0102080241	GASPCW 9017 23X32X12 DR DMO E 2.1/2 ESP S-0723
0102080244	GASPCW 9017 23X34X12 DR DMO E 2.1/2 ESP S-0723
0102080248	GASPCW 9017 23X34X12 DR DMO E 2.1/2 S/PN S-0723
0102080245	GASPCW 9017 23X34X9 DR DMO E 2.1/2 ESP S-0723
0102080249	GASPCW 9017 23X34X9 DR DMO E 2.1/2 S/PN S-0723
0102080242	GASPCW 9017 23X36X12 DR DMO E 2.1/2 ESP S-0723
0102080211	GASPCW 9017 23X36X12 DR DMO E 2.1/2 S-0723
0102080246	GASPCW 9017 23X36X12 DR DMO E 2.1/2 S/PN S-0723
0102080243	GASPCW 9017 23X36X9 DR DMO E 2.1/2 ESP S-0723
0102080240	GASPCW 9017 23X36X9 DR DMO E 2.1/2 HDRH S-0723
0102080247	GASPCW 9017 23X36X9 DR DMO E 2.1/2 S/PN S-0723
0102080210	GASPCW 9017 23X38X12 DR DMO E 2.1/2 S-0723
0102080232	GASPCW 9017 25X32X12 DR DMO E 2.1/2 ESP S-0723
0102080231	GASPCW 9017 25X34X12 DR DMO E 2.1/2 ESP S-0723
0102080234	GASPCW 9017 25X34X12 DR DMO E 2.1/2 ESP S-0723
0102080214	GASPCW 9017 25X34X12 DR DMO E 2.1/2 S-0723
0102080237	GASPCW 9017 25X34X12 DR DMO E 2.1/2 S/PN S-0723
0102080235	GASPCW 9017 25X34X9 DR DMO E 2.1/2 ESP S-0723
0102080215	GASPCW 9017 25X34X9 DR DMO E 2.1/2 S-0723
0102080239	GASPCW 9017 25X34X9 DR DMO E 2.1/2 S/PN S-0723
0102080230	GASPCW 9017 25X36X12 DR DMO E 2.1/2 ESP S-0723
0102080216	GASPCW 9017 25X36X12 DR DMO E 2.1/2 S-0723
0102080236	GASPCW 9017 25X36X12 DR DMO E 2.1/2 S/PN S-0723
0102080233	GASPCW 9017 25X36X9 DR DMO E 2.1/2 ESP S-0723
0102080213	GASPCW 9017 25X36X9 DR DMO E 2.1/2 S-0723
0102080229	GASPCW 9017 25X36X9 DR DMO E 2.1/2 S/PN S-0723
0102080212	GASPCW 9017 25X38X12 DR DMO E 2.1/2 S-0723
0102080217	GASPCW 9017 29X34X12 DR DMO E 2.1/2 ESP S-0723
0102080220	GASPCW 9017 29X34X12 DR DMO E 2.1/2 ESP S-0723
0102080224	GASPCW 9017 29X34X12 DR DMO E 2.1/2 S-0723

ATTENTION: IMPORTANT

Marchesan S.A. reserves the right to improve and/or modify the technical features of its products, without obligation to do the same with those products already sold and without prior knowledge of the dealer or the customer. The photos are only illustrative.



PRODUCTS

0102080227	GASPCW 9017 29X34X12 DR DMO E 2.1/2 S/PN S-0723
0102080221	GASPCW 9017 29X34X9 DR DMO E 2.1/2 ESP S-0723
0102080228	GASPCW 9017 29X34X9 DR DMO E 2.1/2 S/PN S-0723
0102080218	GASPCW 9017 29X36X12 DR DMO E 2.1/2 ESP S-0723
0102080223	GASPCW 9017 29X36X12 DR DMO E 2.1/2 S-0723
0102080226	GASPCW 9017 29X36X12 DR DMO E 2.1/2 S/PN S-0723
0102080219	GASPCW 9017 29X36X9 DR DMO E 2.1/2 ESP S-0723
0102080225	GASPCW 9017 29X36X9 DR DMO E 2.1/2 S/PN S-0723
0102080222	GASPCW 9017 29X38X12 DR DMO E 2.1/2 S-0723

ATTENTION: IMPORTANT

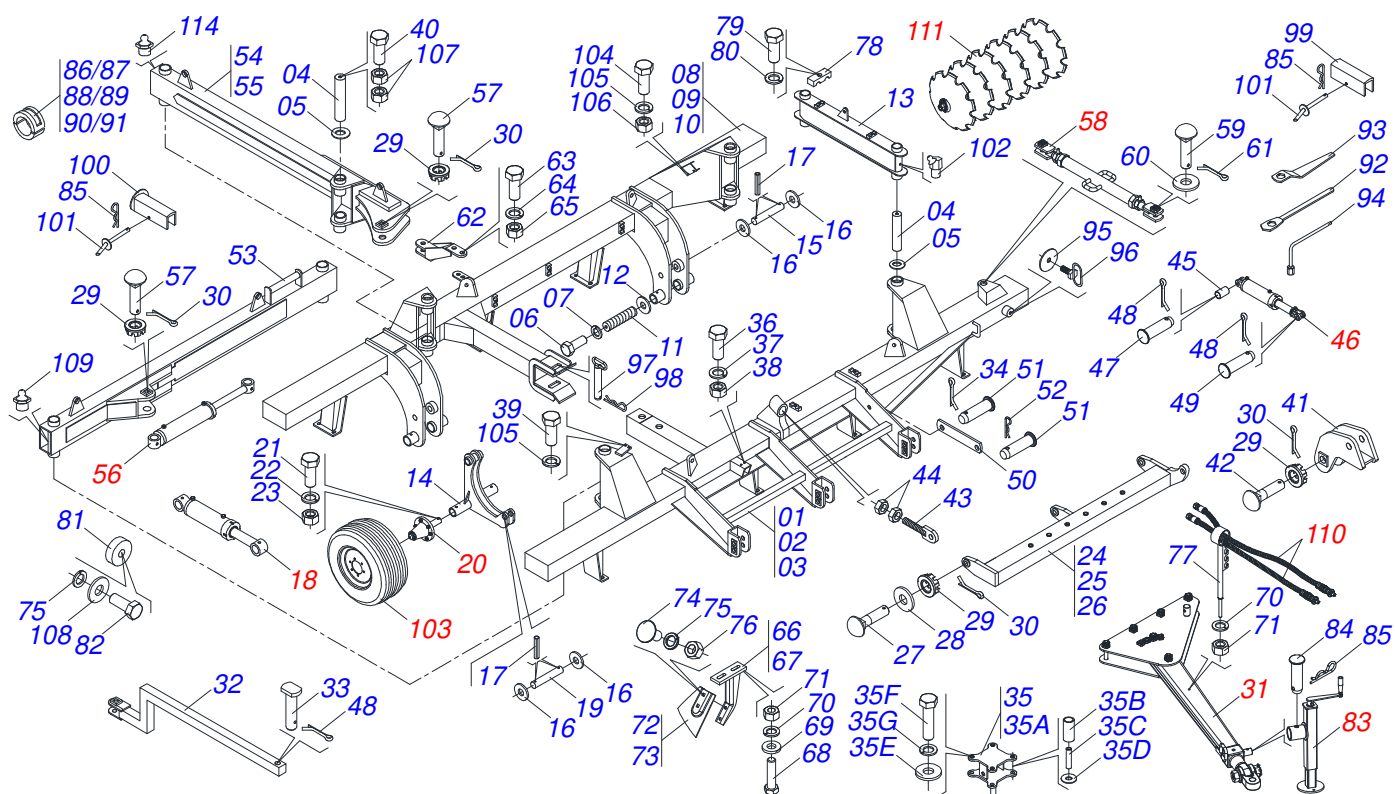
Marchesan S.A. reserves the right to improve and/or modify the technical features of its products, without obligation to do the same with those products already sold and without prior knowledge of the dealer or the customer. The photos are only illustrative.



INDEX

0909096792	ASSY FRAME	1
0511050113	HYDRAULIC CYLINDER	2
0501055263	CARRYING-WHEELS	3
0501051885	CARRYING-WHEELS	4
0521041823	ASSY TRACTION BAR (PIN 3)	5
0511058419	HYDRAULIC CYLINDER 50,80 X 101,60 X 514 X 206	6
0511050114	63,50 X 150 X 965 X 625 HYDRAULIC CYLINDER	7
0501054606	TURNBUCKLE ASSY	8
0511041259	DRAWBAR JACK ASSY	9
0503060414	WHEEL AND TIRE	10
0909096791	HYDRAULIC CIRCUIT	11
0511043139	VALVE ASSY	12
0501055695	FLOW DIVIDING VALVE ASSY	13
0501055696	DISCHARGE VALVE OFS ASSY	14
0501053834	MALE QUICK COUPLER	15
0909096790	DISC GANG - 23/25/29D	16
0531041571	430 X 2.1/2 DMO BEARING WITH PROTECTION SUPPORT	17
0531052794	430 X 2.1/2 DMO BEARING	18

ASSY FRAME



Item	Code	Description	See page	23	25	29
001	0511065652	FRAME FRONT - 23D		01	00	00
001.	0511065219	FRONT FRAME (HEAVY HITCH) - 23D		01	00	00
002	0511065432	FRAME FRONT - 25D		00	01	00
002.	0511065518	FRONT FRAME (HEAVY HITCH) - 25D		00	01	00
003	0511065520	FRAME FRONT - 29D		00	00	01
003.	0511065522	FRONT FRAME (HEAVY HITCH) - 29D		00	00	01
004	0541011899	2.9" X 20" COUPLING SHAFT		05	05	05
005	0511013244	FLAT WASHER		10	10	10
006	0503011250	1" X 2" BOLT		04	04	04
007	0503010012	1" SPRING WASHER		04	04	04
008	0511065653	REAR FRAME - 23D		01	00	00
008.	0511065220	REAR FRAME (HEAVY HITCH) - 23D		01	00	00
009	0511065433	REAR FRAME - 25D		00	01	00
009.	0511065519	REAR FRAME (HEAVY HITCH) - 25D		00	01	00
010	0511065521	REAR FRAME - 29D		00	00	01
010.	0511065523	REAR FRAME (HEAVY HITCH) - 29D		00	00	01
011	0531018062	COUPLING SHAFT		02	02	02
012	0521011565	FLAT WASHER		04	04	04
013	0511065374	JOIN		01	01	01
014	0511064655	CARRYNG-WHEEL SUPPORT		02	02	02
015	0531018105	1.2" X 11.8" PIVOT SHAFT		02	02	02
016	0501017779	32 X 60 X 4.75 FLAT WASHER		08	08	08
017	0503011877	0.3" X 2.4" SPRING PIN		08	08	08
018	0511050113	HYDRAULIC CYLINDER	2	02	02	02
019	0531018101	1.2" X 6.3" PIVOT SHAFT		02	02	02
020	0501055263	CARRYING-WHEELS	3	04	04	04
020.	0501051885	CARRYING-WHEELS	4	04	04	04
021	0503010547	1/2" X 4" BOLT		04	04	04
022	0503010019	1/2" SPRING WASHER		04	04	04
023	0503010060	1/2 UNC G.5 ZN HEX NUT		04	04	04
024	0511065629	OFFSET BAR		01	00	00



ASSY FRAME

0909096792

Item	Code	Description	See page	23	25	29
025	0511064942	OFFSET BAR		00	01	00
026	0511064654	OFFSET BAR		00	00	01
027	0531018099	37,50 X 190 COUPLING SHAFT		02	02	02
028	0521011721	1.6" X 3.94" X 0.12" WASHER		03	03	03
029	0501011301	1.1/2 UNC 6FPP 2.5/16 NUT		12	12	12
030	0503010010	1/4" X 2.1/2" COTTERPIN		05	05	05
031	0521041823	ASSY TRACTION BAR (PIN 3)	5	01	01	01
032	0511064651	REAR HITCH		01	01	01
033	0531019547	1.5" X 7.1" COUPLING SHAFT		01	01	01
034	0503010571	1/4" X 1.1/2 COTTERPIN		01	01	01
035	0501054607	REAR SUPPORT HITCH ASSY		01	01	01
035A	0511064666	REAR SUPPORT HITCH		01	01	01
035B	0531019038	2" X 2.7" X 7.7"SLEEVE		05	05	05
035C	0531019120	50,8 X 235 AXLE		05	05	05
035D	0541010393	FLAT WASHER		04	04	04
035E	0521011565	FLAT WASHER		11	11	11
035F	0503011250	1" X 2" BOLT		11	11	11
035G	0503010012	1" SPRING WASHER		11	11	11
036	0503010765	3/8" X 3" BOLT		02	02	02
037	0503010025	3/8 SPRING WASHER		04	04	04
038	0503010026	3/8" NUT		02	02	02
039	0503010237	3/8" X 1" BOLT		02	02	02
040	0503012660	1" X 4" BOLT		10	10	10
041	0511064656	DRAWBAR PIVOT		01	01	01
042	0521012053	1.5" X 8.6" AXLE		01	01	01
043	0511064433	REGULATOR SPINDLE 1-3/4		01	01	01
044	0501010333	1.3/4" NUT		02	02	02
045	0511019920	SLEEVE 32,70 X 38,80 X 25,40		01	01	01
046	0511058419	HYDRAULIC CYLINDER 50,80 X 101,60 X 514 X 206	6	01	01	01
047	0521012538	1.2" X 3.5" COUPLING SHAFT		01	01	01
048	0503010523	1/4" X 2" SPLIT PIN		02	02	02
049	0531019171	1.25" X 7" COUPLING SHAFT		01	01	01
050	0541011205	DRAWBAR LOCK SAFETY		02	02	02
051	0521010572	0.9" X 2.9" COUPLING SHAFT		02	02	02
052	0503030012	HITCH PIN CLIP		01	01	01
053	0511065375	FRONT STABILIZER BAR		01	01	01
054	0511065630	REAR STABILIZER BAR		01	00	00
055	0511065377	REAR STABILIZER BAR		00	01	01
056	0511050114	63,50 X 150 X 965 X 625 HYDRAULIC CYLINDER	7	01	01	01
057	0531018100	37,50 X 200 COUPLING SHAFT		02	02	02
058	0501054606	TURNBUCKLE ASSY	8	01	01	01
059	0521012868	1.4" X 5" PIVOT SHAFT		02	02	02
060	0501010237	FLAT WASHER		02	02	02
061	0503010534	3/8 X 2-1/2 COTTERPIN		05	05	05
062	0511064810	REAR HITCH		01	01	01
063	0503011346	7/8" X 3-1/2" BOLT		02	02	02
064	0503010408	7/8" SPRING WASHER		02	02	02
065	0503010417	7/8" NUT		02	02	02
066	0511064771	FRONT SCRAPER SUPPORT		11	12	14
067	0511064772	REAR SCRAPER SUPPORT		12	13	15
068	0501010500	3/4" X 3" BOLT		46	50	58
069	0541010763	FLAT WASHER		46	50	58
070	0503010023	3/4" SPRING WASHER		46	52	60
071	0503010014	3/4" HEX NUT		46	50	58
072	0521013678	FRONT CLEANER		11	12	14
073	0521013679	REAR CLEANER		12	13	15
074	0503012195	5/8" NUT		46	50	58
075	0503010027	5/8 SPRING WASHER		46	50	58
076	0503010013	5/8 NUT		46	50	58

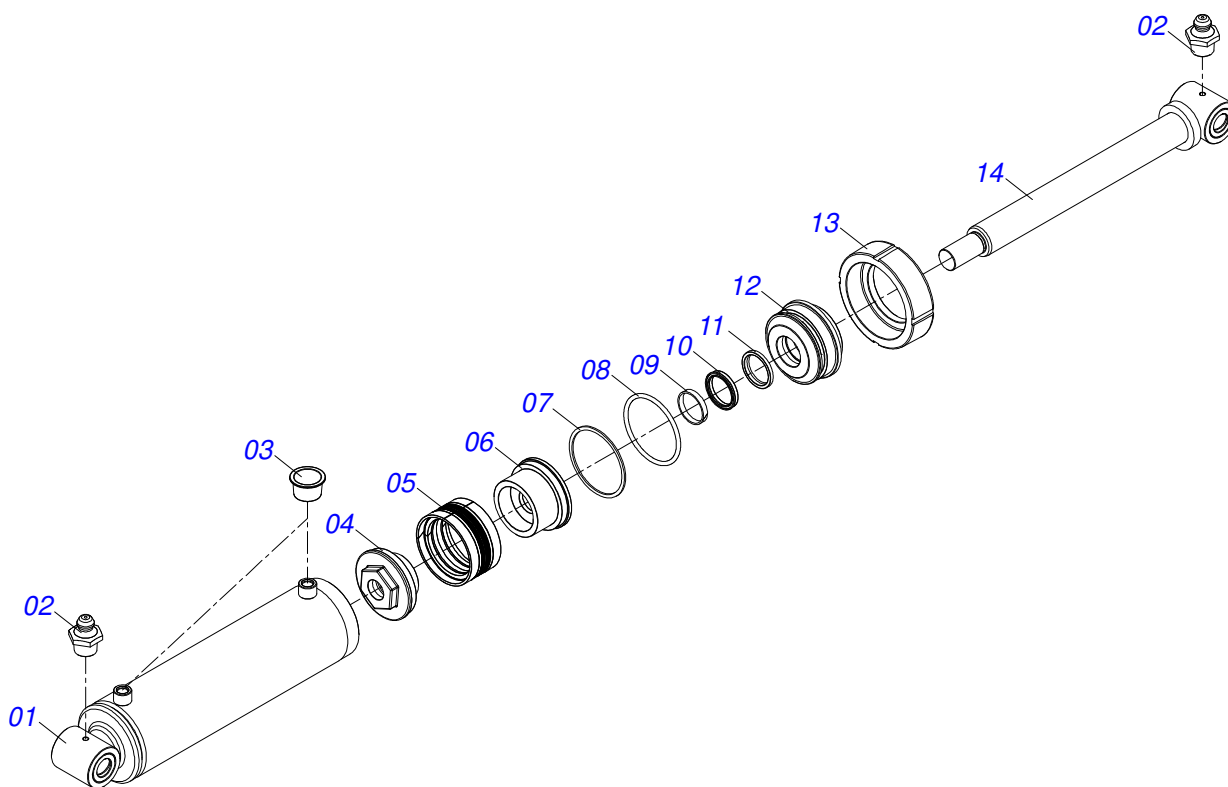


ASSY FRAME

0909096792

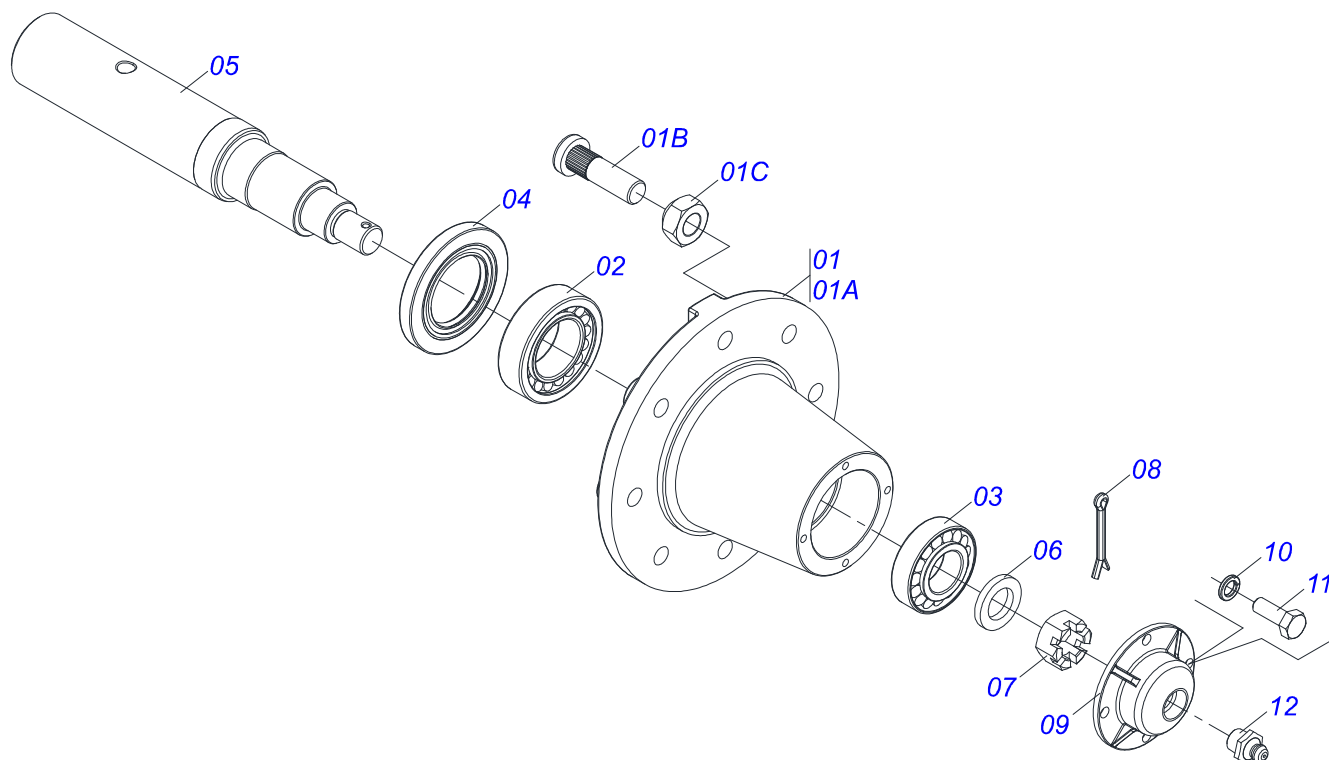
Item	Code	Description	See page	23	25	29
077	0511064470	HOSE HOLDER ASSY		01	01	01
078	0502010477	HOSE CLAMP		07	07	07
079	0503011135	BOLT		07	07	07
080	0503010180	7/16" SPRING WASHER		07	07	07
081	0521011481	FRAME BATTERY		01	01	01
082	0501010108	5/8" X 1" BOLT		01	01	01
083	0511041259	DRAWBAR JACK ASSY	9	01	01	01
084	0521010549	COUPLING SHAFT		01	01	01
085	0503030168	HITCH PIN CLIP		04	04	04
086	0511042161	2.1/2" ROD STOP ASSY		01	01	01
087	0511042162	2.1/2" ROD STOP ASSY		01	01	01
088	0511042163	2.1/2" ROD STOP ASSY		01	01	01
089	0511042164	2.1/2" ROD STOP ASSY		01	01	01
090	0511042165	2.1/2" ROD STOP ASSY		01	01	01
091	0511042166	2.1/2" ROD STOP ASSY		01	01	01
092	0501011432	1-1/2" AND 1-5/8 GANG BOLT WRENCH		01	01	01
093	0501061044	2-1/8" AND 2-1/2" CABLE FLAT WRENCH		02	02	02
094	0503016137	1-1/4" WRENCH CABLE CYLINDER		01	01	01
095	0521011722	FLAT WASHER		01	01	01
096	0501069343	WRENCH FIXER		01	01	01
097	0501069350	230 PIVOT SHAFT WITH PULL		01	01	01
098	0503031035	HITCH PIN CLIP		01	01	01
099	0511010932	TRANSPORT LOCK		01	01	01
100	0511064985	TRANSPORT LOCK		02	02	02
101	0501068994	8,30 X 78 LOCK PIN		03	03	03
102	0503010003	1845 GREASE FITTING		03	03	03
103	0503060414	WHEEL AND TIRE	10	04	04	04
104	0503010373	SCREW 1/4 UNC X 2 CS G.2 ZN		02	02	02
105	0503010143	1/4" SPRING WASHER		02	02	02
106	0503010144	1/4" NUT		02	02	02
107	0503013635	1" NUT		20	20	20
108	0501012140	FLAT WASHER		01	01	01
109	0503010002	1800 GREASE FITTING		01	01	01
110	0909096791	HYDRAULIC CIRCUIT	11	01	01	01
111	0909096790	DISC GANG - 23/25/29D	16	23	25	29

HYDRAULIC CYLINDER

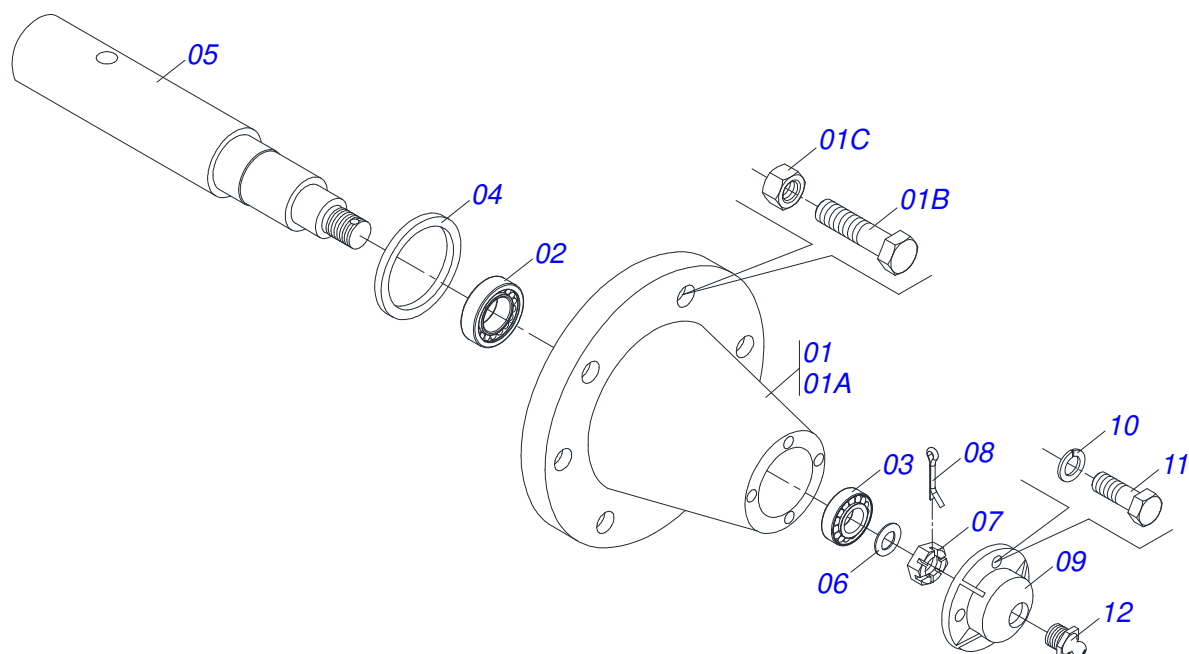


Item	Code	Description	See page	QT
01	0521061746	CYLINDER CASE		01
02	0503010002	1800 GREASE FITTING		02
03	0503030384	CON PLUG N-001		02
04	0502012645	PISTON BODY		01
05	0503015643	SEAL		01
06	0561016583	PISTON BODY		01
07	0503011062	8-425 BACK-UP RING		01
08	0503010351	2-425 N 3006-9B O'RING		01
09	0503015641	WEAR RING		00
10	0503015642	U-CUP SEALING		01
11	0503015715	SCRAPER SEALING		01
12	0502012646	RING SUPPORT		01
13	0502010382	5" END CAP		01
14	0521061684	56,98 X 590,50 TURNBUCKLE		01

CARRYING-WHEELS

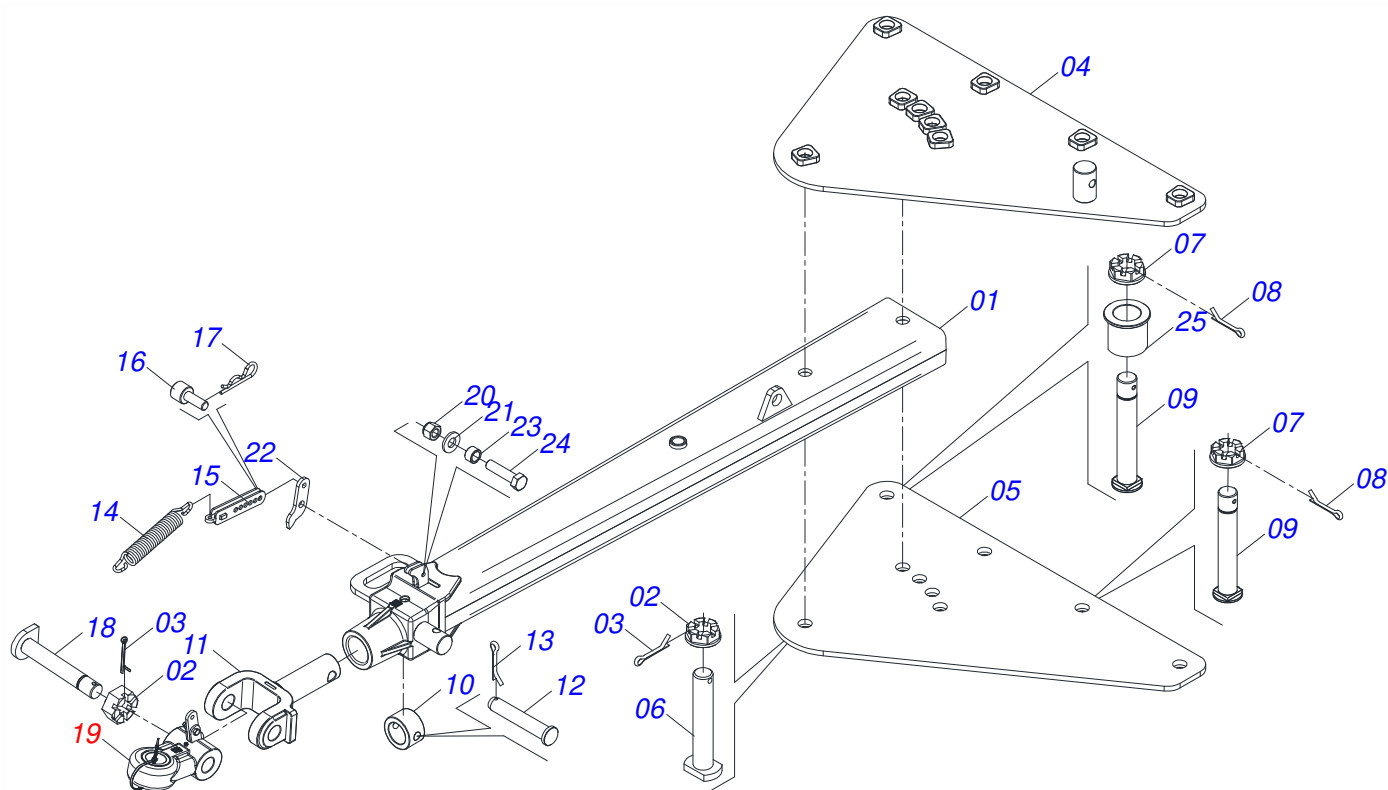


Item	Code	Description	See page	QT
01	0501110738	CARRYING WHEEL HUB	01	
01A	0502012260	TRANSPORT WHEEL BOX	01	
01B	0501010186	WHEEL SCREW 5/8UNF X 2.1/8CR	08	
01C	0503010064	5/8 UNF CONIC NUT	08	
02	0503010008	3780/3720 ROLLER BEARING	01	
03	0503014821	ROLLER BEARING	01	
04	0503013314	RETAINER 5166-GB 63,5 X 110 X 13 ARCA	01	
05	0511012494	SPINDLE	01	
06	0511012492	FLAT WASHER	01	
07	0503030009	1" CASTLE NUT	01	
08	0503010018	5/32 X 1-1/2 COTTERPIN	01	
09	0502020591	PROTECCION COVER	01	
10	0503011444	SPRING WASHER	04	
11	0503010358	5/16" X 5/8" BOLT	04	
12	0503010002	1800 GREASE FITTING	01	

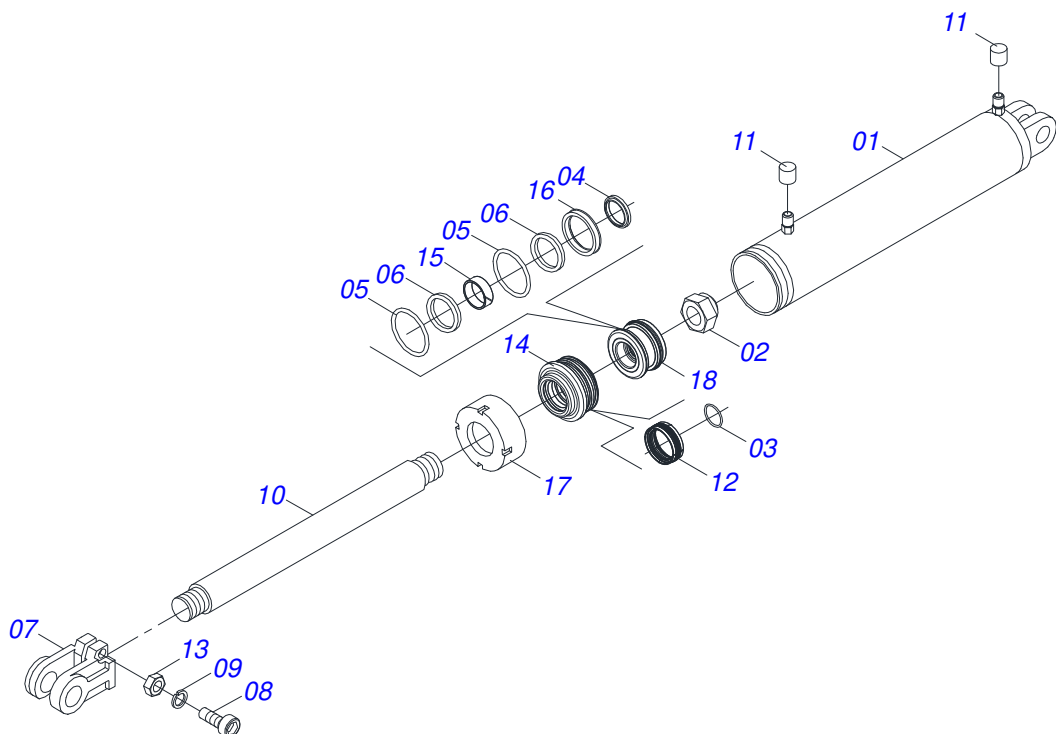


Item	Code	Description	See page	QT
01	0501110738	CARRYING WHEEL HUB		01
01A	0502012260	TRANSPORT WHEEL BOX		01
01B	0503010064	5/8 UNF CONIC NUT		08
01C	0501010186	WHEEL SCREW 5/8UNF X 2.1/8CR		08
02	0503011156	2780/2720 IMP ROLLER BEARING		01
03	0503010008	3780/3720 ROLLER BEARING		01
04	0503013314	RETAINER 5166-GB 63,5 X 110 X 13 ARCA		01
05	0511012494	SPINDLE		01
06	0511012492	FLAT WASHER		01
07	0503030009	1" CASTLE NUT		01
08	0503010018	5/32 X 1-1/2 COTTERPIN		01
09	0502020591	PROTECCION COVER		01
10	0503011444	SPRING WASHER		04
11	0503010358	5/16" X 5/8" BOLT		04
12	0503010002	1800 GREASE FITTING		01

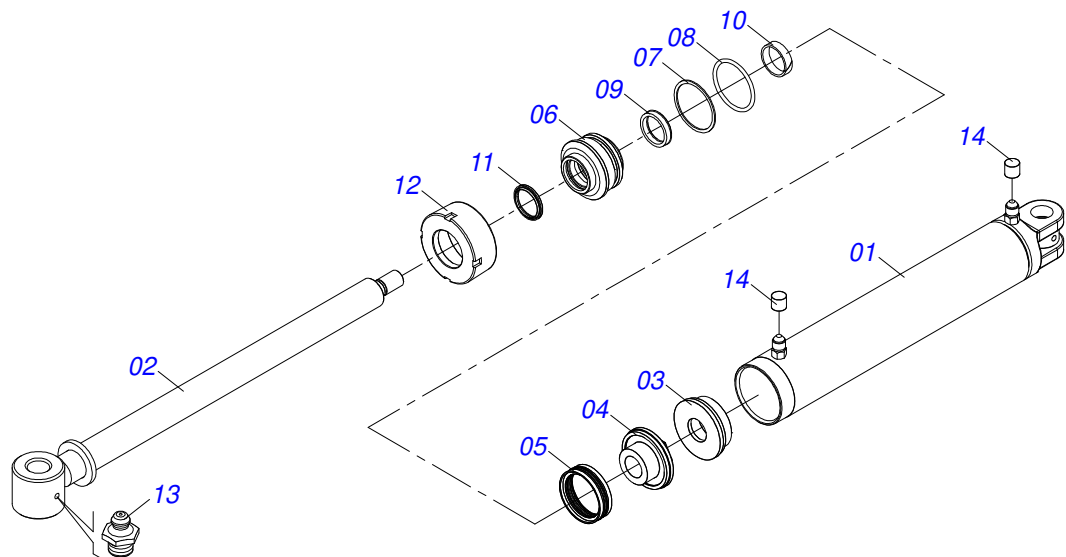
ASSY TRACTION BAR (PIN 3)



Item	Code	Description	See page	QT
01	0521068249	TRACTION BAR (AXLE 2)	01	01
02	0502040558	2" CASTLE NUT	02	02
03	0503010074	3/8 X 0,15" COTTERPIN	02	02
04	0521068246	UPPER PLATE (AXLE 2)	01	01
05	0521068247	LOWER PLATE (AXLE 2)	01	01
06	0521068248	JUNCTION AXLE WITH LOCK	01	01
07	0501811301	CASTLE NUT	05	05
08	0503010010	1/4" X 2.1/2" COTTERPIN	05	05
09	0521811880	37,50 X 230 X PQ R.1./2 JUNCTION AXLE	05	05
10	0502040263	ANEL TRAVA ENGATE	01	01
11	1902040897	TRACTOR HITCH	01	01
12	0561017306	COUPLING SHAFT	01	01
13	0503010523	1/4" X 2" SPLIT PIN	01	01
14	0503031741	1.8" X 11.4" 0.3" TRACTION SPRING	01	01
15	0531061607	SPRING REGULATOR	01	01
16	0591014558	SPRING REGULATOR FIXER AXLE	01	01
17	0503030285	HITCH PIN CLIP	01	01
18	0531061122	AXIS ARTICULATOR	01	01
19	0531040171	ASSY HITCH	01	01
20	0503010589	1/2" UNC SELF ADJUSTING NUT	01	01
21	0501010937	13,50 X 28 X 3,00 FLAT WASHER	01	01
22	0591014554	REAR EAR FIXING SPRING	01	01
23	0591014552	SLEEVE	01	01
24	0503010740	BOLT 1/2 UNC X 2 CS G.5 ZN	01	01
25	0591013086	SLEEVE	01	01

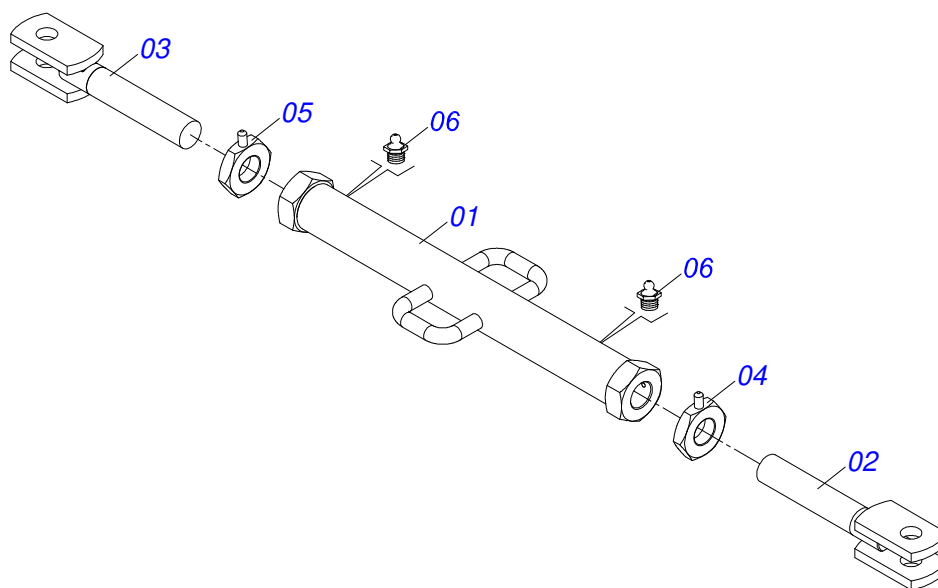


Item	Code	Description	See page	QT
01	0511061336	101,6 X 398 CYLINDER CASE		01
02	0503010817	1.1/4" SELF LOCKING NUT		01
03	0503010345	2-218 N 3006-9B O'RING		01
04	0503015636	SCRAPER SEAL		01
05	0503010338	2-342 N 3006-9B O'RING		02
06	0503011061	8-342 BACK-UP RING		02
07	0502040747	32.54 CLEVIS CLAMP		01
08	0503011094	3/8" X 2" BOLT		01
09	0503011443	3/8" SPRING WASHER		01
10	0521010422	HYDRAULIC CYLINDER TURNBUCKLE		01
11	0503030384	CON PLUG N-001		02
12	0503015633	SELEMASTER SEALING		01
13	0503010026	3/8" NUT		01
14	0581010678	50,80 X 101 RING SUPPORT		01
15	0503018025	RING GUIDE		01
16	0503018026	1870-2000-375 B GASKET		01
17	0502012822	101.60 END CAP		01
18	0502012842	50,80 X 101,60 PISTON		01
19	0511032511R	HYDRAULIC CYLINDER REPAIR KIT		01

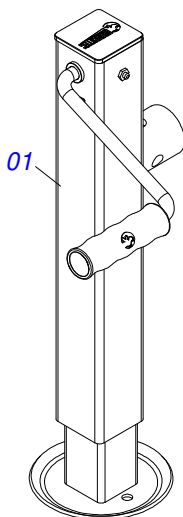


Item	Code	Description	See page	QT
01	0511065049	6" X 31" CYLINDER CASE		01
02	0511065050	2.5" X 34" TURNBUCKLE		01
03	0561016818	PISTON BODY		01
04	0502012658	PISTON BODY		01
05	0503015912	SELEMASTER SEALING		01
06	0502012375	TURNBUCKLE GUIDE		01
07	0503010704	2-357 N 3006-9B O'RING		01
08	0503010971	W2-2750-500 PK RING G.I		01
09	0503014960	GASKET		01
10	0503012497	RING (TEFLON)		01
11	0503010287	D-2500 SCRAPER RING		01
12	0541010615	MOVABLE COVER		01
13	0503010002	1800 GREASE FITTING		02
14	0503030384	CON PLUG N-001		02

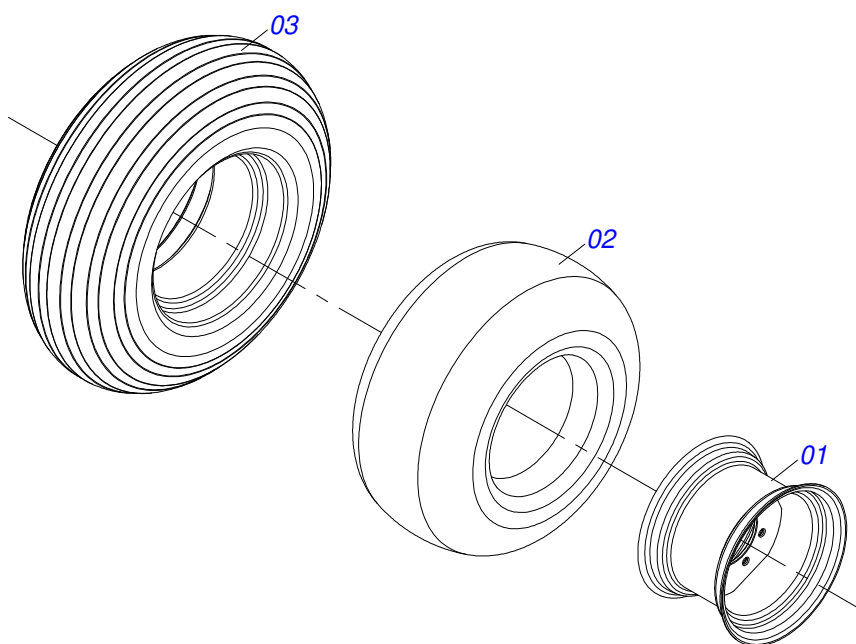
TURNBUCKLE ASSY



Item	Code	Description	See page	QT
01	0511064657	JOIN TURNBUCKLE		01
02	0501069333	JACK CRANK		01
03	0501069334	JACKET		01
04	0501069331	LOCKNUT WITH LEFT HANDLER R 2-1/8		01
05	0501069330	LOCKNUT WITH RIGHT HANDLER R 2-1/8		01
06	0503010002	1800 GREASE FITTING		02

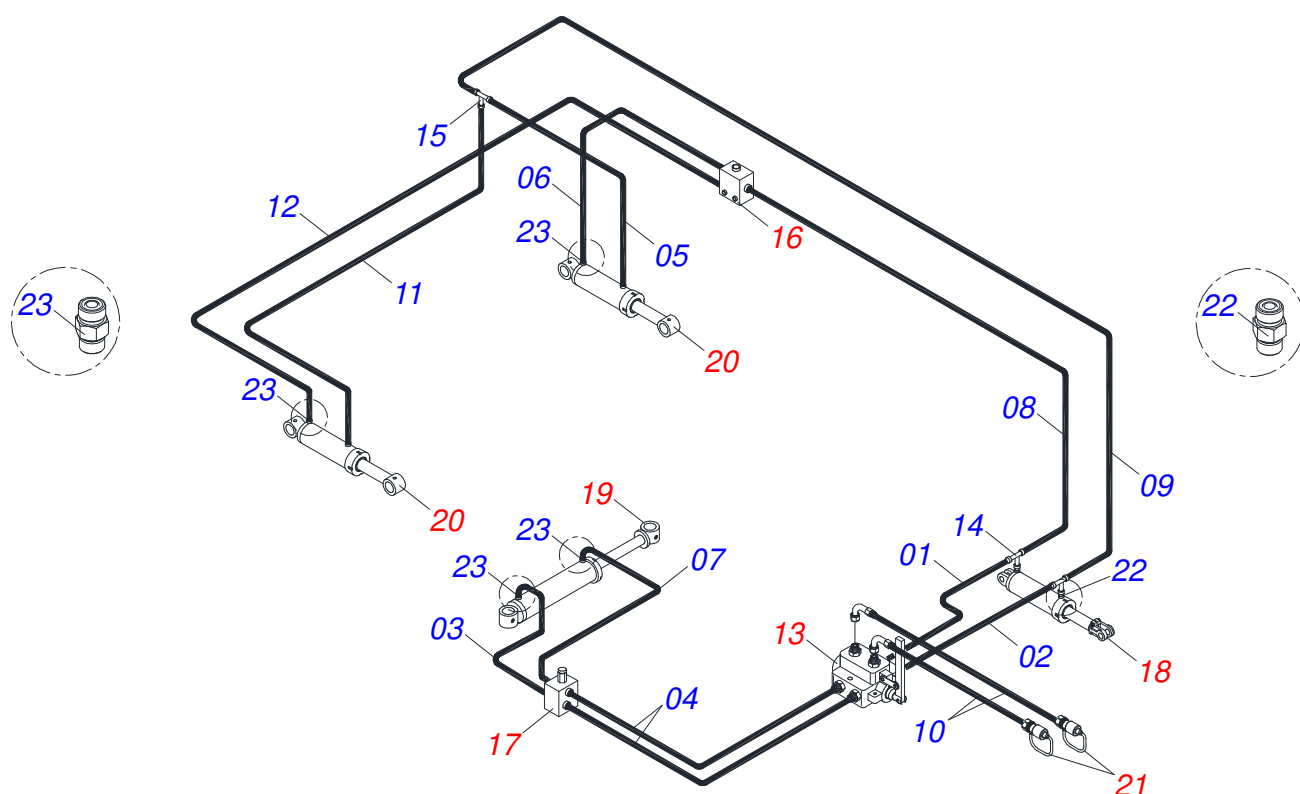


Item	Code	Description	See page	QT
01	0503062157	DRAWBAR JACK		01



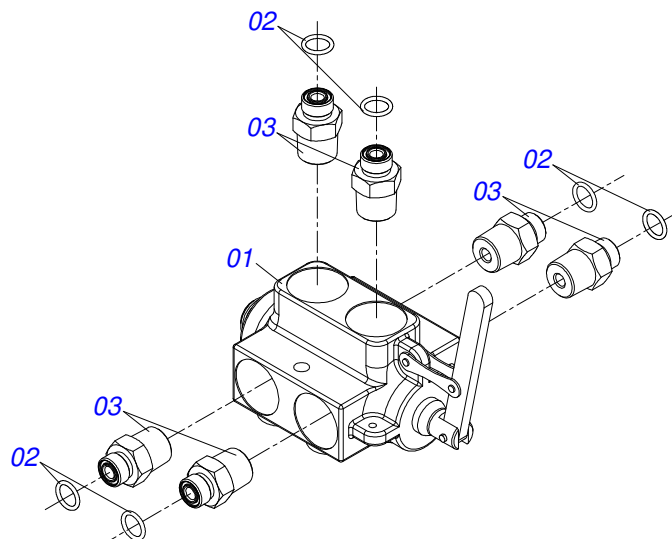
Item	Code	Description	See page	QT
01	0503012108	WHEEL 10 LB X 15 X 8F X 203		01
02	0503010860	AIR CHAMBER 11L 15		01
03	0503011469	RIB TIRE BL - 12L		01

HYDRAULIC CIRCUIT

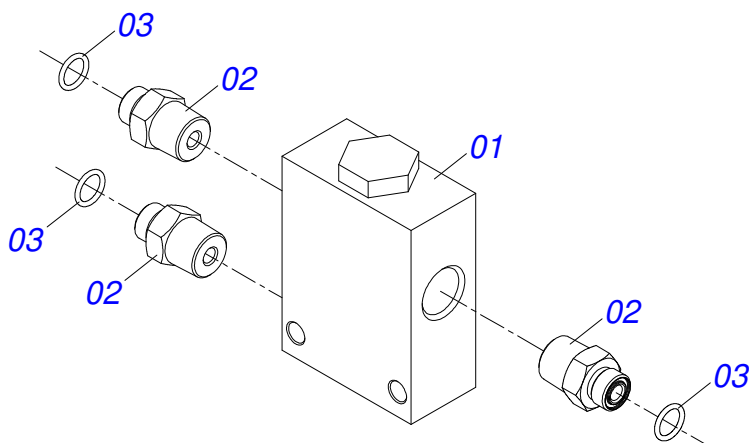


Item	Code	Description	See page	QT
01	0501080971	1/2" X 33.46" TR-TC HOSE ASSY		01
02	0501080984	1/2" X 39.37" TR-TC HOSE ASSY		01
03	0501080985	1/2" X 47.24" TR-TC HOSE ASSY		01
04	0501080911	1/2" X 51.18" TR-TR OFS HOSE ASSY		02
05	0501080986	1/2" X 55.12" TR-TC HOSE ASSY		01
06	0501080987	1/2" X 59.06" TR-TR HOSE ASSY		01
07	0501080988	1/2" X 77" TR-TC HOSE ASSY		01
08	0501080989	1/2" X 15.4" TR-TR HOSE ASSY		01
09	0501080990	1/2" X 185" TR-TR HOSE ASSY		01
10	0501080991	1/2" X 189" TC-TM HOSE ASSY		02
11	0501080992	1/2" X 200" TR-TC HOSE ASSY		01
12	0501080993	1/2" X 205" TR-TR HOSE ASSY		01
13	0511043139	VALVE ASSY	12	01
14	0503013272	T 1/2" MALE ADAPTER ASSY		02
15	0503013273	T 1/2" MALE ADAPTER		01
16	0501055695	FLOW DIVIDING VALVE ASSY	13	01
17	0501055696	DISCHARGE VALVE OFS ASSY	14	01
18	0511058419	HYDRAULIC CYLINDER 50,80 X 101,60 X 514 X 206	6	01
19	0511050114	63,50 X 150 X 965 X 625 HYDRAULIC CYLINDER	7	01
20	0511050113	HYDRAULIC CYLINDER	2	02
21	0501053834	MALE QUICK COUPLER	15	02
22	0503032031	3/4" UNF REDUCTION NIPPLE		02
23	0503030923	3/4" UNF X 13/16UN OFS X 40 NIPPLE		06

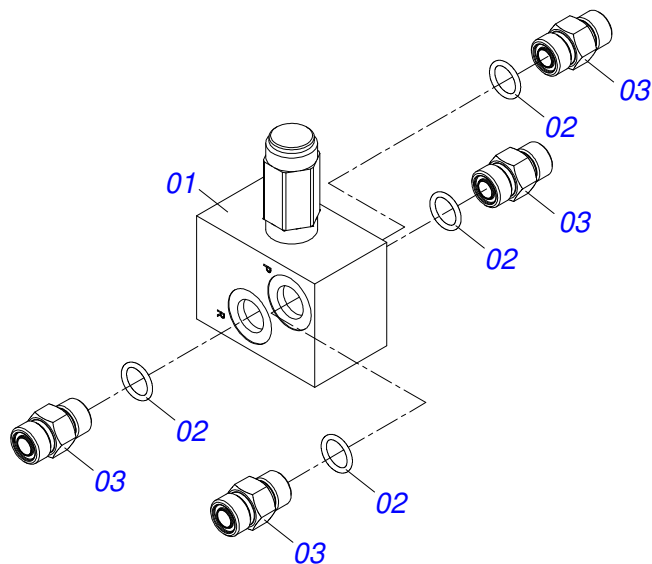
VALVE ASSY



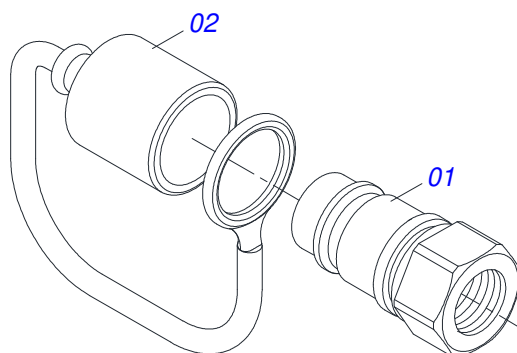
Item	Code	Description	See page	QT
01	0503013319	VALVE ASSY		01
02	0503032098	13/16" NIPPLE		06
03	0503010190	2-114 N 3006-9B O'RING		06



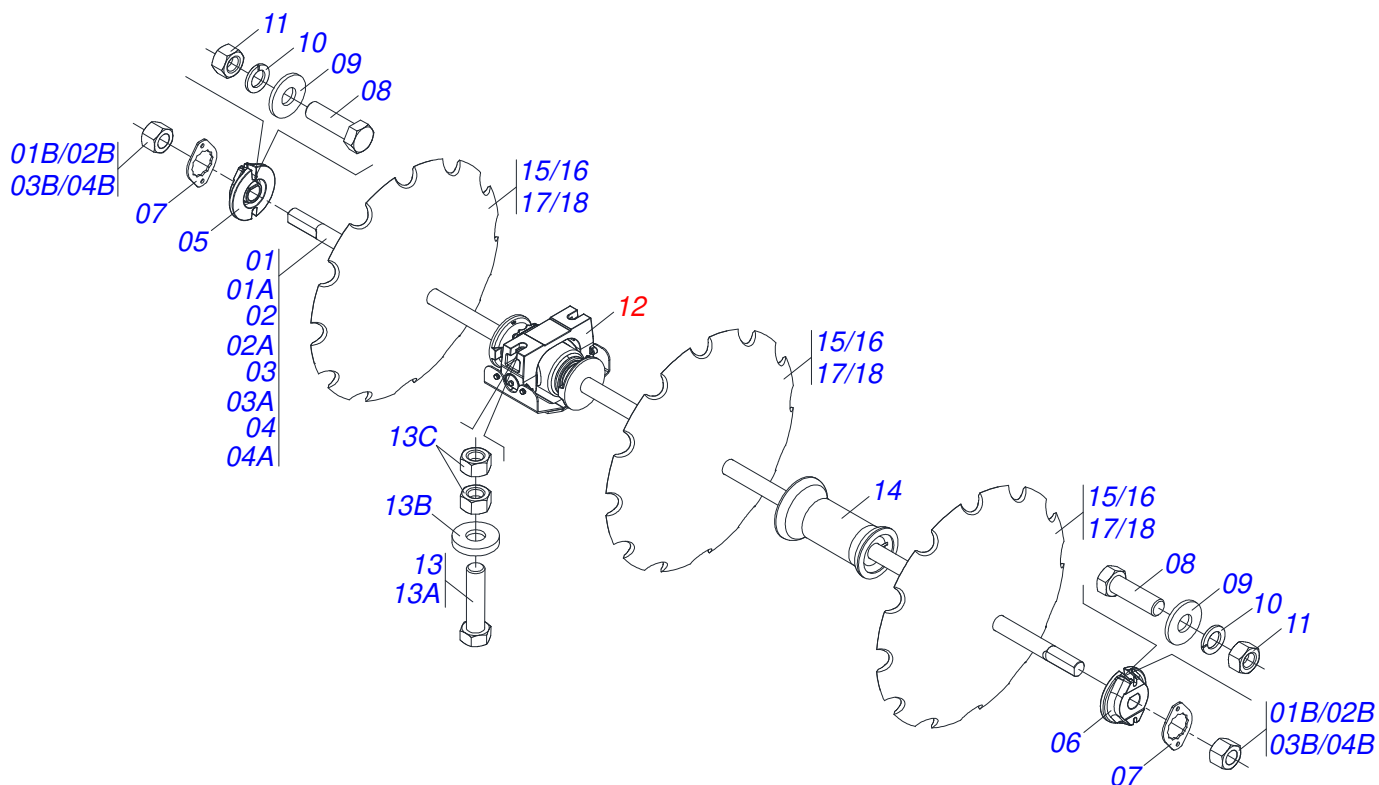
Item	Code	Description	See page	QT
01	0503012481	FLOW DIVIDING VALVE		01
02	0503030923	3/4" UNF X 13/16UN ODS X 40 NIPPLE		03
03	0503010190	2-114 N 3006-9B O'RING		03



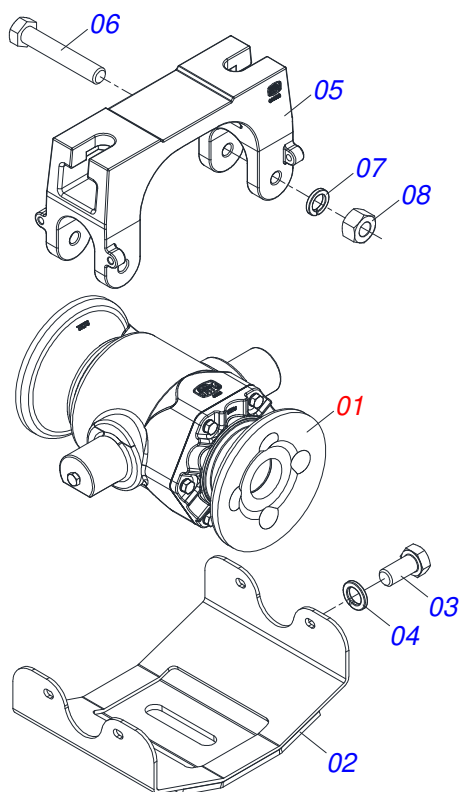
Item	Code	Description	See page	QT
01	0503010919	DISCHARGE VALVE		01
02	0503010190	2-114 N 3006-9B O'RING		04
03	0503030923	3/4" UNF X 13/16UN OFS X 40 NIPPLE		04



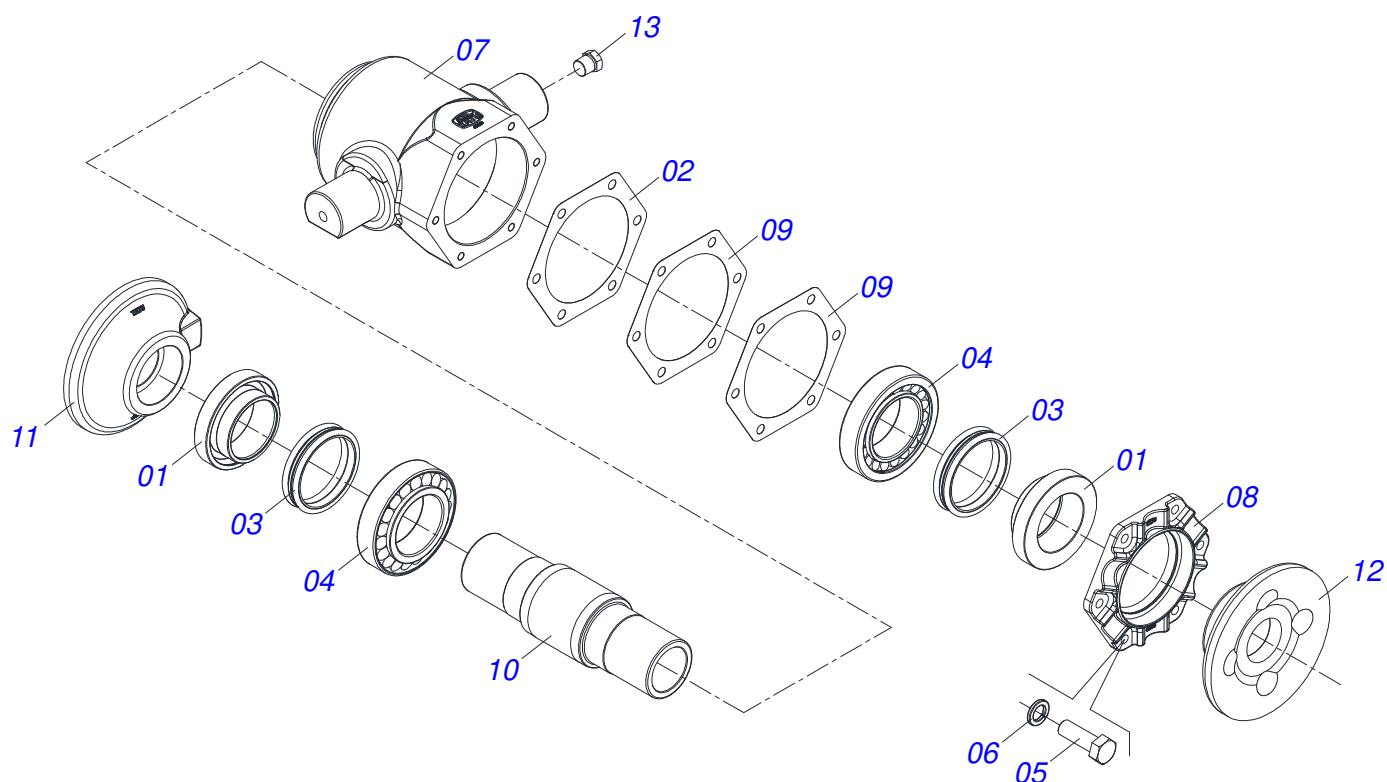
Item	Code	Description	See page	QT
01	0503011627	MALE QUICK COUPLER AGR 1/2 NPT		01
02	0503011882	MALE QUICK COUPLER CAP		01



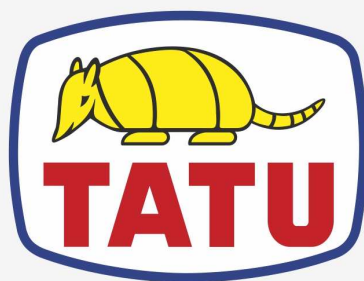
Item	Code	Description	See page	23	25	29
01	0501040693	2.1/2" X 63" AXLE WITH NUTS		00	00	02
01A	0501010358	2.1/2" X 63" AXLE		00	00	01
01B	0502040064	2.1/2" SNC X 70 99 NUT		00	00	02
02	0501040690	2.1/2" X 80" AXLE WITH NUTS		01	00	03
02A	0501010357	2.1/2" X 81" AXLE		01	00	01
02B	0502040064	2.1/2" SNC X 70 99 NUT		02	00	02
03	0501040691	2-1/2" X 97" AXLE WITH NUTS		03	03	01
03A	0501010356	2-1/2" X 97" AXLE		01	01	01
03B	0502040064	2.1/2" SNC X 70 99 NUT		02	02	02
04	0501040692	2-1/2" X 115" AXLE WITH NUTS		00	01	00
04A	0501010355	2-1/2" X 115" AXLE		00	01	00
04B	0502040064	2.1/2" SNC X 70 99 NUT		00	02	00
05	0502010592	2.1/2" INNER AXLE WASHER		06	04	06
06	0502010593	2.1/2" EXTERNAL AXLE WASHER		06	04	06
07	0541010368	NUT LOCK		12	08	12
08	0503010232	5/8" X 1.3/4" BOLT		16	16	24
09	0541010763	FLAT WASHER		16	16	24
10	0503010027	5/8 SPRING WASHER		16	16	24
11	0503010013	5/8 NUT		16	16	24
12	0531041571	430 X 2.1/2 DMO BEARING WITH PROTECTION 17 SUPPORT		08	08	12
13	0531040741	ASSY 1.1/4 UNC X 5 BOLT		16	16	24
13A	0503011347	1.1/4" X 5" BOLT		01	01	01
13B	0571010448	32,50 X 75 X 16 SLEEVE		01	01	01
13C	0501010087	1.1/4" NUT		02	02	02
14	0502012220	2.1/2" X 17" SPACER		11	13	11
15	0602044224	DR 32 X 12 C86AF04FR2.9/16 10REC		23	25	00
16	0602046001	DR 34 X 9 C120AF04FR2.9/16 12REC		23	25	29
16.	0602046002	DR 34 X 12 C120AF04FR2.9/16 12REC		23	25	29
17	0602048004	DR 36 X 9 C126AF04FR2.9/16 12REC		23	25	29
17.	0602048051	DR 36 X 12 C123AF04FR2.9/16 12REC		23	25	29
18	0602050016	DR 38 X 12 C140AF04FR2.9/16 12REC		23	25	29



Item	Code	Description	See page	QT
01	0531052794	430 X 2.1/2 DMO BEARING	18	01
02	0531062887	PROTECTION CAP		01
03	0503010834	1/2 X 1 BOLT		04
04	0503010019	1/2" SPRING WASHER		04
05	0502013003	2.3/4 BEARING SUPPORT		01
06	0503011198	C3/4" X 6" SCREW		02
07	0503010023	3/4" SPRING WASHER		02
08	0503010014	3/4" HEX NUT		02



Item	Code	Description	See page	QT
01	0502040119	SEAL RETAINER		02
02	0503035599	205 X 160,5 X 0,20 SEAL GASKET		01
03	0503030029	RETAINER LP JB-259		02
04	0503013243	32218 ROLLER BEARING		02
05	0503010920	1/2 UNC X 1.1/2 C S G.5 ZN BOLT		06
06	0503011440	SPRING WASHER		06
07	0502013002	BEARING HUB		01
08	0502013005	BEARING HUB LID		01
09	0503035600	205 X 160,5 X 0,40 SEAL GASKET		02
10	0502040039	AXLE		01
11	0502040165	INNER FLANGE		01
12	0502040164	OUTER FLANGE		01
13	0503010856	OIL PLUG		02



MARCHESAN

Technical Publications | Elaboration and Revision
JOSÉ DOMINGOS GASPARI

www.marchesan.com.br

