

PARTS CATALOG

ROW CROP PLANTERS

PHT3 PLUS

Code: 0501090730



Series: S-0803

Rev.: 00

Date Rev.: JULHO/2004

ORIGINAL PARTS
TATU



PRODUCTS

Code	Description	
0111030194	PHT3 PLUS 3/ 2 C MH	S-0803
0111030170	PHT3 PLUS 3/ 2 C MM	S-0803
0111030199	PHT3 PLUS 3/ 2 C S/MARC	S-0803
0111030196	PHT3 PLUS 3/ 2 D MH	S-0803
0111030172	PHT3 PLUS 3/ 2 D MM	S-0803
0111030201	PHT3 PLUS 3/ 2 D S/MARC	S-0803
0111030198	PHT3 PLUS 3/ 2 H MH	S-0803
0111030174	PHT3 PLUS 3/ 2 H MM	S-0803
0111030203	PHT3 PLUS 3/ 2 H S/MARC	S-0803
0111030195	PHT3 PLUS 3/ 3 C MH	S-0803
0111030171	PHT3 PLUS 3/ 3 C MM	S-0803
0111030200	PHT3 PLUS 3/ 3 C S/MARC	S-0803
0111030197	PHT3 PLUS 3/ 3 D MH	S-0803
0111030173	PHT3 PLUS 3/ 3 D MM	S-0803
0111030202	PHT3 PLUS 3/ 3 D S/MARC	S-0803
0111030228	PHT3 PLUS 3/ 3 H MH	S-0803
0111030227	PHT3 PLUS 3/ 3 H MM	S-0803
0111030231	PHT3 PLUS 3/ 3 H S/MARC	S-0803
0111030204	PHT3 PLUS 5/ 3 C MH	S-0803
0111030175	PHT3 PLUS 5/ 3 C MM	S-0803
0111030209	PHT3 PLUS 5/ 3 C S/MARC	S-0803
0111030206	PHT3 PLUS 5/ 3 D MH	S-0803
0111030177	PHT3 PLUS 5/ 3 D MM	S-0803
0111030211	PHT3 PLUS 5/ 3 D S/MARC	S-0803
0111030208	PHT3 PLUS 5/ 3 H MH	S-0803
0111030179	PHT3 PLUS 5/ 3 H MM	S-0803
0111030213	PHT3 PLUS 5/ 3 H S/MARC	S-0803
0111030249	PHT3 PLUS 5/ 4 C MH	S-0803
0111030248	PHT3 PLUS 5/ 4 C MM	S-0803
0111030247	PHT3 PLUS 5/ 4 C S/MARC	S-0803
0111030243	PHT3 PLUS 5/ 4 D MM	S-0803

ATTENTION: **IMPORTANT**

MARCHESAN S/A RESERVES THE RIGHT AT ANY TIME TO MAKE IMPROVEMENTS IN THE DESIGN, MATERIAL OR SPECIFICATIONS OF MACHINERY, EQUIPMENT OR PARTS WITHOUT THEREBY BECOMING LIABLE TO MAKE SIMILAR CHANGES IN MACHINERY, EQUIPMENT OR PARTS PREVIOUSLY SOLD.

PRODUCTS

0111030242	PHT3 PLUS 5/ 4 D S/MARC	S-0803
0111030251	PHT3 PLUS 5/ 4 H MM	S-0803
0111030205	PHT3 PLUS 5/ 5 C MH	S-0803
0111030176	PHT3 PLUS 5/ 5 C MM	S-0803
0111030210	PHT3 PLUS 5/ 5 C S/MARC	S-0803
0111030207	PHT3 PLUS 5/ 5 D MH	S-0803
0111030178	PHT3 PLUS 5/ 5 D MM	S-0803
0111030212	PHT3 PLUS 5/ 5 D S/MARC	S-0803
0111030230	PHT3 PLUS 5/ 5 H MH	S-0803
0111030229	PHT3 PLUS 5/ 5 H MM	S-0803
0111030232	PHT3 PLUS 5/ 5 H S/MARC	S-0803
0111030268	PHT3 PLUS 5/2 DC DDD HS MM PT	S-803
0111030269	PHT3 PLUS 5/2 DC DDD HS PT	S-803
0111030273	PHT3 PLUS 5/5 C MM TIT	S-0915
0111030271	PHT3 PLUS 5/5 S/L/SEM S/MARC	S-0803
0111030267	PHT3 PLUS 7/ 2 C S/ML/DC	S-0803
0111030181	PHT3 PLUS 7/ 4 C MH	S-0803
0111030180	PHT3 PLUS 7/ 4 C MM	S-0803
0111030265	PHT3 PLUS 7/ 4 C MM CPS	S-0803
0111030214	PHT3 PLUS 7/ 4 C S/MARC	S-0803
0111030183	PHT3 PLUS 7/ 4 D MH	S-0803
0111030182	PHT3 PLUS 7/ 4 D MM	S-0803
0111030215	PHT3 PLUS 7/ 4 D S/MARC	S-0803
0111030185	PHT3 PLUS 7/ 4 H MH	S-0803
0111030184	PHT3 PLUS 7/ 4 H MM	S-0803
0111030216	PHT3 PLUS 7/ 4 H S/MARC	S-0803
0111030237	PHT3 PLUS 7/ 5 C MH	S-0803
0111030236	PHT3 PLUS 7/ 5 C MM	S-0803
0111030233	PHT3 PLUS 7/ 5 C S/MARC	S-0803
0111030239	PHT3 PLUS 7/ 5 D MH	S-0803
0111030238	PHT3 PLUS 7/ 5 D MM	S-0803
0111030234	PHT3 PLUS 7/ 5 D S/MARC	S-0803

ATTENTION: **IMPORTANT**

MARCHESAN S/A RESERVES THE RIGHT AT ANY TIME TO MAKE IMPROVEMENTS IN THE DESIGN, MATERIAL OR SPECIFICATIONS OF MACHINERY, EQUIPMENT OR PARTS WITHOUT THEREBY BECOMING LIABLE TO MAKE SIMILAR CHANGES IN MACHINERY, EQUIPMENT OR PARTS PREVIOUSLY SOLD.

PRODUCTS

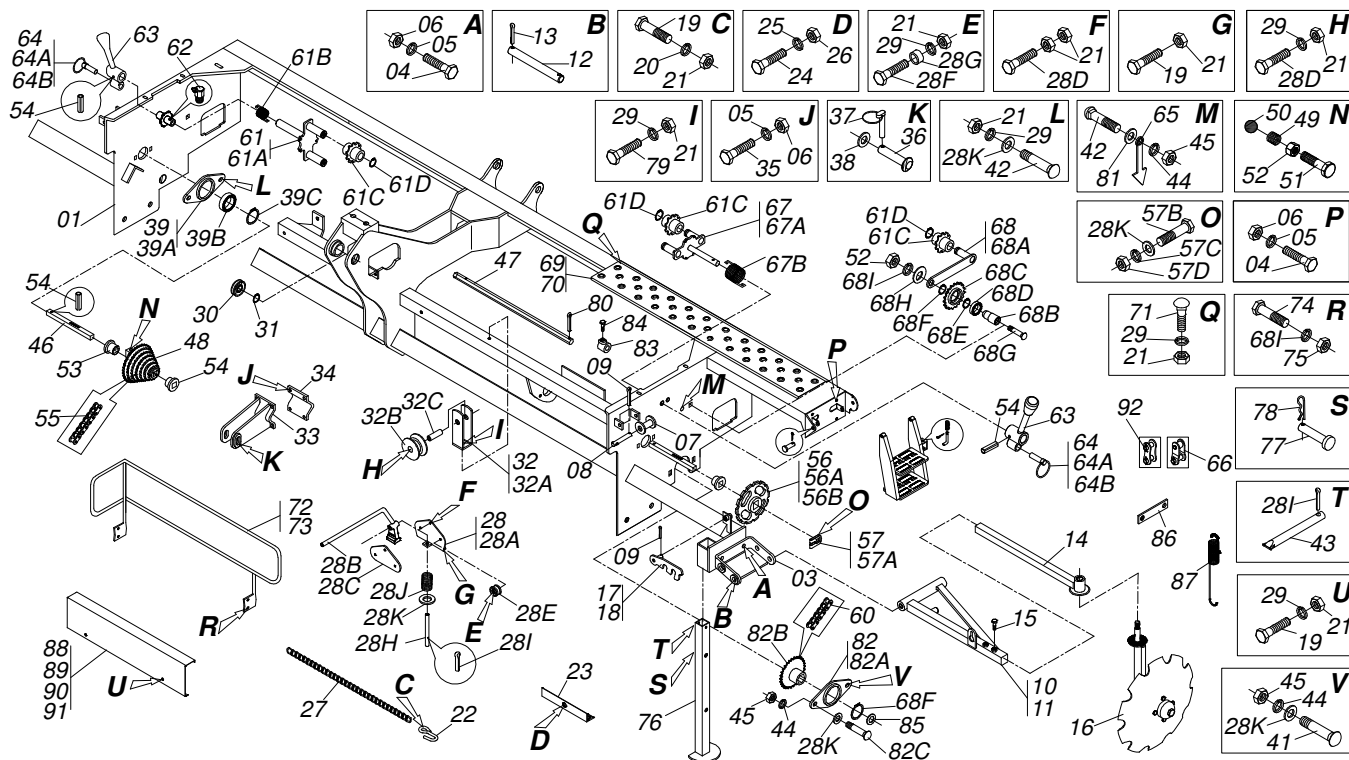
0111030241	PHT3 PLUS 7/ 5 H MH	S-0803
0111030240	PHT3 PLUS 7/ 5 H MM	S-0803
0111030235	PHT3 PLUS 7/ 5 H S/MARC	S-0803
0111030187	PHT3 PLUS 7/ 6 C MH	S-0803
0111030186	PHT3 PLUS 7/ 6 C MM	S-0803
0111030217	PHT3 PLUS 7/ 6 C S/MARC	S-0803
0111030189	PHT3 PLUS 7/ 6 D MH	S-0803
0111030188	PHT3 PLUS 7/ 6 D MM	S-0803
0111030218	PHT3 PLUS 7/ 6 D S/MARC	S-0803
0111030222	PHT3 PLUS 7/ 6 H MH	S-0803
0111030221	PHT3 PLUS 7/ 6 H MM	S-0803
0111030223	PHT3 PLUS 7/ 6 H S/MARC	S-0803
0111030191	PHT3 PLUS 7/ 7 C MH	S-0803
0111030190	PHT3 PLUS 7/ 7 C MM	S-0803
0111030219	PHT3 PLUS 7/ 7 C S/MARC	S-0803
0111030193	PHT3 PLUS 7/ 7 D MH	S-0803
0111030192	PHT3 PLUS 7/ 7 D MM	S-0803
0111030220	PHT3 PLUS 7/ 7 D S/MARC	S-0803
0111030225	PHT3 PLUS 7/ 7 H MH	S-0803
0111030224	PHT3 PLUS 7/ 7 H MM	S-0803
0111030226	PHT3 PLUS 7/ 7 H S/MARC	S-0803

ATTENTION: **IMPORTANT**

MARCHESAN S/A RESERVES THE RIGHT AT ANY TIME TO MAKE IMPROVEMENTS IN THE DESIGN, MATERIAL OR SPECIFICATIONS OF MACHINERY, EQUIPMENT OR PARTS WITHOUT THEREBY BECOMING LIABLE TO MAKE SIMILAR CHANGES IN MACHINERY, EQUIPMENT OR PARTS PREVIOUSLY SOLD.

INDEX

0909091026	FRAME (PHT PLUS)	1
0501050633	DISC ASSY FOR ROW MARKER	2
0909091090	FRAME HYDRAULIC ROW MARKER	3
0511042197	HYDRAULIC CYLINDER	4
0909091050	WHEELS ASSY	5
0501052585	STUB SHAFT & HUB ASSY	6
0909091051	FERTILIZER BOX ASSY	7
0909091084	RIGHT FERTILIZER/SEED ROW ASSY	8
0909091056	SEED ROW ASSY	9
0909091089	15 X 15 SEED UNAL DOUBLE-DISC ASSY	10
0501054992	DEPTH CONTROL WHEELS ASSY	11
0501050927	PRESS WHEELS ASSY	12
0909090134	SEED DISTRIBUTOR ASSY	13
0909091087	FERTILIZER ROW ASSY	14
0909090102	FERTILIZER UNAL DOUB-DISC ASSY	15
0511040570	16" BLADE DISC ASSY	16
0909091030	ROD SCARIFIER SPINDLE	17
0909091097	HYDRAULIC CIRCUIT	18



Item	Code	Description	05 07
01	0511065034	PHT3 PLUS FRAME ROWS 5/5	01 00
02	0511065066	PHT3 PLUS FRAME ROWS 7/7	00 01
03	0511062811	ROW MARKER SUPPORT	02 02
04	0501010100	5/8 UNC X 2 C S G.5 BOLT	04 04
05	0503010027	SPRING WASHER	12 12
06	0503012412	HEX SELF ADJUSTING NUT 5/8 UNC S	12 12
07	0502010421	SIDE PULLEY	02 02
08	0521010641	COUPLING SHAFT	02 02
09	0503010257	1/8" X 1" COTTERPIN	04 04
10	0511062836	RH ROW MARKER ARM	01 01
11	0511062837	LH ROW MARKER ARM	01 01
12	0531012400	COUPLING SHAFT	02 02
13	0503010577	3/16" X 1-1/4" COTTERPIN	04 04
14	0511061610	ROW MARKER ARM	02 02
15	0501018535	1/2 X 1 BOLT	04 04
16	0501050633	DISC ASSY FOR ROW MARKER	02 02
17	0511062908	ROW MARKER LOCK RIGHT	01 01
18	0511062914	ROW MARKER LOCK LEFT	01 01
19	0503010237	3/8" X 1" BOLT	08 08
20	0501010984	FLAT WASHER	04 04
21	0503010026	3/8" NUT	26 26
22	0501013783	HOOK WITH CHAIN	02 02
23	0541016683	ANGLE BAR	01 01
24	0501010276	1" X 3" BOLT	01 01
25	0503010012	1" SPRING WASHER	01 01
26	0501010059	1.5/8 NUT	01 01
27	0501014152	CHAIN WHIT LINK	01 01
28	0501052571	LEVER SUPPORT ASSY	01 01
28A	0511061292	LEVER FIXER SUPPORT ASSY	01 01
28B	0501068881	DRIVING	01 01
28C	0521016764	PULLEY FIXER	01 01
28D	0503011268	3/8" X 2-1/2" BOLT	01 01
28E	0502010420	CENTRAL PULLEY	02 02



PHT3 PLUS
FRAME (PHT PLUS)

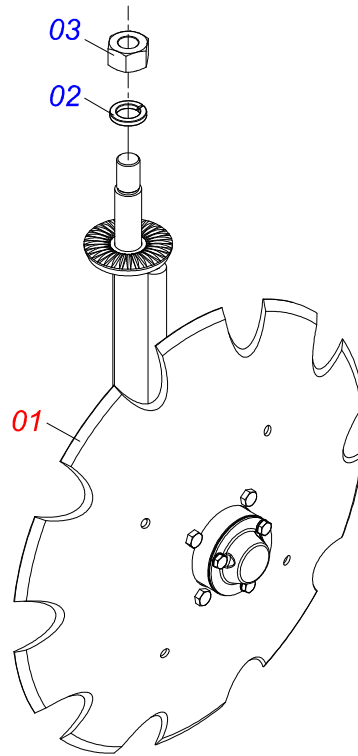
Item	Code	Description	05 07
28F	0503011179	3/8" X 2-1/4" BOLT	02 02
28G	0511014569	0.39" X 0.75" 1.42" BUSHING	02 02
28H	0511010804	SPRING ROD	01 01
28I	0503010140	1/8" X 3/4" COTTERPIN	04 04
28J	0503030078	COMPRESSION SPRING	02 02
28K	0501010694	FLAT WASHER	12 12
29	0503010025	3/8 SPRING WASHER	22 22
30	0541010772	CHAIN ROW MARKER PULLEY	02 02
31	0503010391	501038 CLAMPING RING (FOR AXLE)	02 02
32	0501054970	ROW MARKER CHAIN GUIDE	02 02
32A	0511065218	PULLEY SUPPORT	01 01
32B	0502011231	CENTRAL PULLEY	01 01
32C	0511019373	0.39" X 0.63" X 1.50" BUSHING	01 01
33	0511065048	MIDDLE LOWER HITCH	02 02
34	0511064353	FASTENER	02 02
35	0501013233	5/8" X 2-3/4" BOLT	08 08
36	0521010581	0.9" X 4.9" COUPLING SHAFT	02 02
37	0503030085	LOCK PIN	02 02
38	0501010065	1" SPRING WASHER	02 02
39	0501052759	BEARING OF THE GEAR BOX ASSY	06 06
39A	0502011697	BEARING OF THE GEAR BOX	01 01
39B	0503011410	ROLLER BEARING	01 01
39C	0503011105	SEAL RING	01 01
40	0541010568	CHOCK BEARING	04 04
41	0501010942	3/8" X 1-1/4" BOLT	08 08
42	0503011953	5/16" X 1" BOLT	05 05
43	0521010530	COUPLING SHAFT	02 02
44	0503010179	SPRING WASHER	09 09
45	0503010337	5/16" NUT	09 09
46	0541010650	FERTILIZER SEED DRIVER AXLE	02
47	0541011161	FERTILIZER/SEEP DRIVER AXLE	02
48	0511060396	DRIVE/DRIVEN AXLE CONE	04 04
49	0503031512	0.4" X 0.1" X 2" X 0.6" SPRING	04 04
50	0503012389	1/2 BALL	04 04
51	0503010395	1/2" X 1-1/4" BOLT	04 04
52	0503010060	1/2" NUT	05 05
53	0503030303	SUPPORT WASHER	04 04
54	0503010292	0.2" X 1.6" SPRING PIN	06 06
55	0503012772	40-1 CHAIN X 80 LINK + REDECTION	02 02
56	0501054966	14Z X P 1.25" GEAR	02 02
57	0501053788	Q3/4" FASTENER AXLE ASSY	04 04
57A	0521010691	AXLE FASTENER	01 01
57B	0503010373	1/4" X 2" BOLT	01 01
57C	0503010143	SPRING WASHER	01 01
57D	0503010144	1/4" NUT	01 01
58	0502010671	CENTRAL BEARING	01 01
59	0501052560	AXLE MOTOR SLOW-MOVING ASSY	01 01
59A	0503031825	AXLE MOTOR SLOW-MOVING	02 02
59B	0503010240	5/16" X 3/4" BOLT	02 02
60	0503012718	40-1 CHAIN X 111 LINK + MENDING	01 01
61	0501052236	CHAIN TENSIONER ASSY	01 01
61A	0511060392	CHAIN TENSIONER	01 01
61B	0503031366	RH TORSION SPRING	01 01
61C	0503031805	11Z 1/2" GEAR	02 02
61D	0503010302	501019 SEAL RING	02 02
62	0502011758	REAR TENSIONER LEVER	02 02
63	0501048790	AXLE WITH LINK ASSY	02 02
63A	0521012476	GEAR BOX LEVER AXLE	01 01
63B	0503031369	LINK	01 01
64	0541010591	LEVEL MARKER	01 01
65	0503011751	REDUCTION	01 01
66	0501052237	CHAIN TENSIONER ASSY	01 01



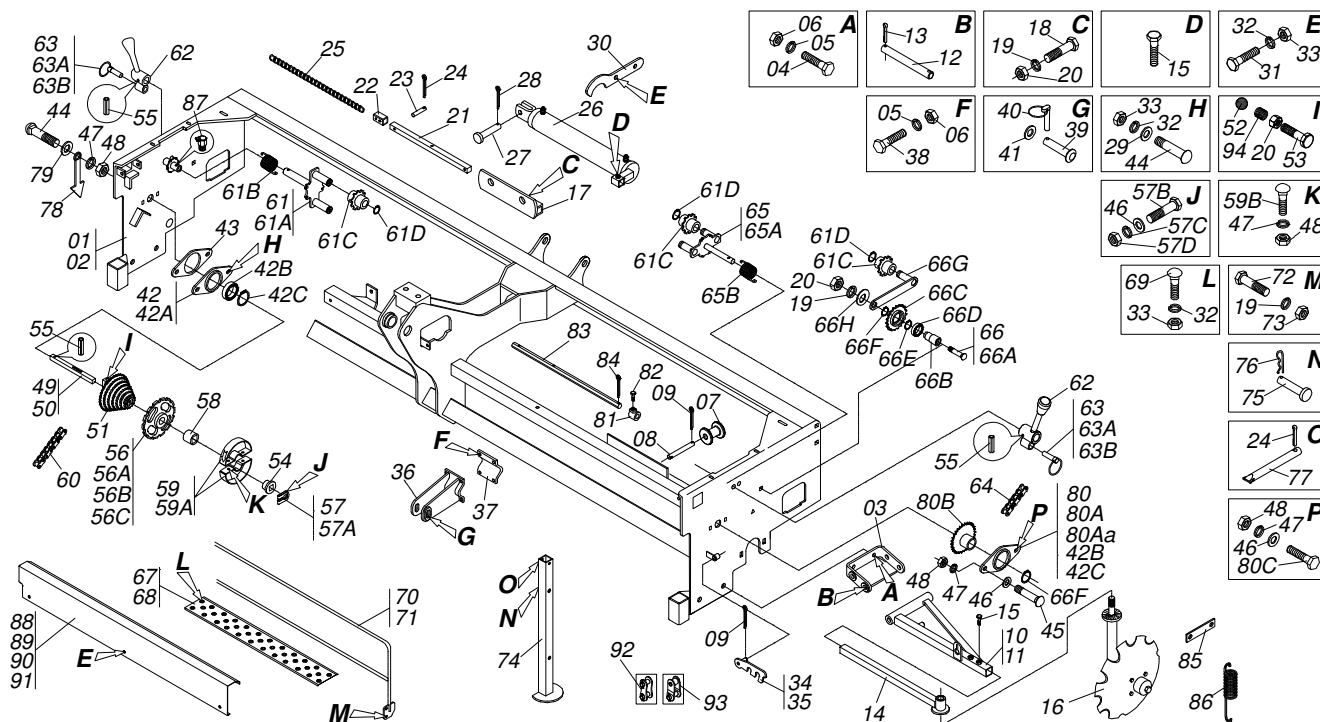
PHT3 PLUS
FRAME (PHT PLUS)

Page 1
0909091026

Item	Code	Description	05 07
66A	0511060392	CHAIN TENSIONER	01 01
66B	0503031367	SPRING	01 01
67	0501054934	SPEED CHAIN TENSIONER ASSY	01 01
67A	0511065088	SPEED CHAIN TENSIONER	01 01
67B	0541010752	SUPPORT AXLE SPEED CHAIN TENSIONER	01 01
67C	0511062169	21Z P 1/2" GEAR	01 01
67D	0503011405	6005 Z BALL BEARING	01 01
67E	0503011105	SEAL RING	01 01
67F	0503010406	501025 CLAMPING RING (FOR AXLE)	01 01
67G	0503012110	1/2" X 3-3/4" BOLT	01 01
67H	0511017302	FLAT WASHER	01 01
67I	0503010019	1/2" SPRING WASHER	01 01
68	0541010566	PLATFORM 2160 PHT3 PLUS 5/5	01
69	0541010691	PLATFORM PHT3 PLUS 7/7	01
70	0501011643	3/8 X 1" BOLT	04 04
71	0511065035	PHT3 PLUS 5/5 HANDRAIL	01
72	0511065068	PHT3 PLUS 7/7 HANDRAIL	01
73	0501011600	1/2" X 1-1/4" BOLT	04 04
74	0503010020	1/2" NUT	04 04
75	0501065337	PLOUGH SUPPORT	02 02
76	0521010809	11,11 X 64 COUPLING SHAFT	02 02
77	0503030168	HAIR PIN	02 02
78	0503010751	C3/8" X 1.1/4" HEX BOLT G.5	01 01
79	0503010300	5/32" X 1" COTTERPIN	02 02
80	0541010592	FLAT WASHER	01 01
81	0501053608	BEARING ASSY WITH GEAR 20Z & 5/8" HEX AXLE	01 01
81A	0501053609	5/8 DOUB BEARING OF THE SEED TRANSM	01 01
81Aa	0502011987	DOUBLE HOUSING BEARING	01 01
81Ab	0503011105	SEAL RING	01 01
81Ac	0503011410	ROLLER BEARING	01 01
81B	0511063106	20Z AXLE BEARING DOBLE	01 01
81C	0503010365	NUT	02 02
82	0502040725	SPRING BUSHING LOCK GUIDE	01 01
83	0503010834	1/2 X 1 BOLT	01 01
84	0501013352	FLAT WASHER	03 03
85	0541013034	SPRING FIXER	01 01
86	0503030242	0.8" X 4.7" X 0.08" TRACTION SPRING	01 01
87	0503010004	1890 GREASE FITTING	01 01
88	0541010852	RH CHAIN PROTECTION CAP	01
89	0541010853	LH CHAIN PROTECTION CAP	01
90	0541010787	RH CHAIN PROTECTION CAP	01
91	0541010788	LH CHAIN PROTECTION CAP	01
92	0503011750	AMENDMENT WITH LOCK	01 01
93	0521013432	5/8" X 59" AXLE HEX	01 01
95	0909091026	FRAME (PHT PLUS)	



Item	Code	Description	QT
01	0511053904	ROW MARKER DISC	01
02	0503010023	SPRING WASHER	01
03	0503010014	3/4" NUT	01



Item	Code	Description	5/5	5/7
01	0511065034	PHT3 PLUS FRAME ROWS 5/5	01	
02	0511065066	PHT3 PLUS FRAME ROWS 7/7		01
03	0511062811	ROW MARKER SUPPORT	02	02
04	0501010100	5/8 UNC X 2 C S G.5 BOLT	04	04
05	0503010027	SPRING WASHER	12	12
06	0503012412	HEX SELF ADJUSTING NUT 5/8 UNC S	12	12
07	0502010421	SIDE PULLEY	02	02
08	0521010641	COUPLING SHAFT	02	02
09	0503010257	1/8" X 1" COTTERPIN	04	04
10	0511062836	RH ROW MARKER ARM	01	01
11	0511062837	LH ROW MARKER ARM	01	01
12	0531012400	COUPLING SHAFT	02	02
13	0503010577	3/16" X 1-1/4" COTTERPIN	04	04
14	0511061610	ROW MARKER ARM	02	02
15	0501018535	1/2 X 1 BOLT	05	05
16	0501050633	DISC ASSY FOR ROW MARKER	01	01
17	0501065640	ROW MARKER ROD GUIDE	01	01
18	0503010920	1/2" X 1.1/2" BOLT	02	02
19	0503010019	1/2" SPRING WASHER	07	07
20	0503010060	1/2" NUT	07	07
21	0541010644	ROW MARKER AXLE	01	01
22	0541010791	CHAIN ROW MARKER COUPLING	02	02
23	0521010539	0.3" X 1.2" COUPLING SHAFT	04	04
24	0503010140	1/8" X 3/4" COTTERPIN	06	06
25	0503012638	0.2" X 1310" CHAIN	02	02
26	0511042197	HYDRAULIC CYLINDER	01	01
27	0521010561	0.7" X 2.0" COUPLING SHAFT	01	01
28	0503010018	5/32 X 1-1/2 COTTERPIN	01	01
29	0501010984	FLAT WASHER	08	08
30	0541010570	GUIDES FIXER	01	01
31	0503010237	3/8" X 1" BOLT	02	02
32	0503010025	3/8 SPRING WASHER	14	14
33	0503010026	3/8" NUT	14	14



FRAME HYDRAULIC ROW MARKER

0909091090

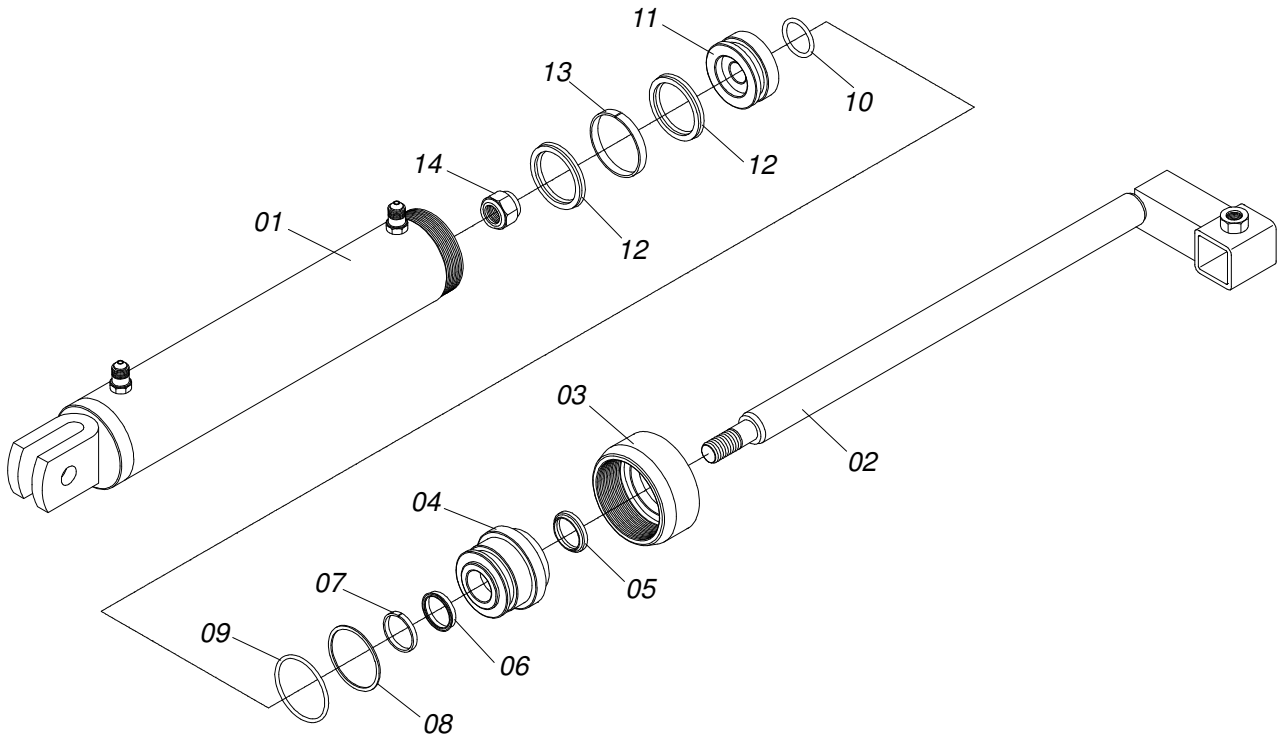
Item	Code	Description	5/5	5/7
34	0511062908	ROW MARKER LOCK RIGHT	01	01
35	0511062914	ROW MARKER LOCK LEFT	01	01
36	0511065048	MIDDLE LOWER HITCH	02	02
37	0511064353	FASTENER	02	02
38	0501013233	5/8" X 2-3/4" BOLT	08	08
39	0521010581	0.9" X 4.9" COUPLING SHAFT	02	02
40	0503030085	LOCK PIN	02	02
41	0501010065	1" SPRING WASHER	02	02
42	0501052759	BEARING OF THE GEAR BOX ASSY	06	06
42A	0502011697	BEARING OF THE GEAR BOX	01	01
42B	0503011410	ROLLER BEARING	01	01
42C	0503011105	SEAL RING	01	01
43	0541010568	CHOCK BEARING	04	04
44	0501010942	3/8" X 1-1/4" BOLT	08	08
45	0503011953	5/16" X 1" BOLT	05	05
46	0501010694	FLAT WASHER	09	09
47	0503010179	SPRING WASHER	09	09
48	0503010337	5/16" NUT	09	09
49	0541010650	FERTILIZER SEED DRIVER AXLE	02	
50	0541011161	FERTILIZER/SEEP DRIVER AXLE		02
51	0511060396	DRIVE/DRIVEN AXLE CONE	04	04
52	0503012389	1/2 BALL	04	04
53	0503010395	1/2" X 1-1/4" BOLT	04	04
54	0503030303	SUPPORT WASHER	04	04
55	0503010292	0.2" X 1.6" SPRING PIN	06	06
56	0501054966	14Z X P 1.25" GEAR	02	02
56A	0502011334	14Z P 1.2" RH 1.4" GEAR	01	01
56B	0502012232	3/4" AXLE AGRICULTURAL BEARING	01	01
56C	0503010846	0.31" X 0.55" 701179 SPRING PIN	01	01
57	0501053788	Q3/4" FASTENER AXLE ASSY	04	04
57A	0521010691	AXLE FASTENER	01	01
57B	0503010373	1/4" X 2" BOLT	01	01
57C	0503010143	SPRING WASHER	01	01
57D	0503010144	1/4" NUT	01	01
58	0502010671	CENTRAL BEARING	01	01
59	0501052560	AXLE MOTOR SLOW-MOVING ASSY	01	01
59A	0503031825	AXLE MOTOR SLOW-MOVING	02	02
59B	0503010240	5/16" X 3/4" BOLT	02	02
60	0503012772	40-1 CHAIN X 80 LINK + REDECTION	02	02
61	0501052236	CHAIN TENSIONER ASSY	01	01
61A	0511060392	CHAIN TENSIONER	01	01
61B	0503031366	RH TORSION SPRING	01	01
61C	0503031805	11Z 1/2" GEAR	02	02
61D	0503010302	501019 SEAL RING	02	02
62	0502011758	REAR TENSIONER LEVER	02	02
63	0501048790	AXLE WITH LINK ASSY	02	02
63A	0521012476	GEAR BOX LEVER AXLE	01	01
63B	0503031369	LINK	01	01
64	0503012718	40-1 CHAIN X 111 LINK + MENDING	01	01
65	0501052237	CHAIN TENSIONER ASSY	01	01
65A	0511060392	CHAIN TENSIONER	01	01
65B	0503031367	SPRING	01	01
66	0501054934	SPEED CHAIN TENSIONER ASSY	01	01
66A	0503012110	1/2" X 3-3/4" BOLT	01	01
66B	0541010752	SUPPORT AXLE SPEED CHAIN TENSIONER	01	01
66C	0511062169	21Z P 1/2" GEAR	01	01
66D	0503011405	6005 Z BALL BEARING	01	01
66E	0503011105	SEAL RING	01	01
66F	0503010406	501025 CLAMPING RING (FOR AXLE)	01	01
66G	0511065088	SPEED CHAIN TENSIONER	01	01
66H	0511017302	FLAT WASHER	01	01
67	0541010566	PLATFORM 2160 PHT3 PLUS 5/5	01	



FRAME HYDRAULIC ROW MARKER

0909091090

Item	Code	Description	5/5	5/7
68	0541010691	PLATFORM PHT3 PLUS 7/7		01
69	0501011643	3/8 X 1"BOLT	04	04
70	0511065035	PHT3 PLUS 5/5 HANDRAIL		01
71	0511065068	PHT3 PLUS 7/7 HANDRAIL		01
72	0501011600	1/2" X 1-1/4" BOLT	04	04
73	0503010020	1/2"NUT	04	04
74	0501065337	PLOUGH SUPPORT	02	02
75	0521010809	11,11 X 64 COUPLING SHAFT	02	02
76	0503030168	HAIR PIN	02	02
77	0521010530	COUPLING SHAFT	02	02
78	0541010591	LEVEL MARKER	01	01
79	0541010592	FLAT WASHER	01	01
80	0501053608	BEARING ASSY WITH GEAR 20Z & 5/8" HEX AXLE	01	01
80A	0501053609	5/8 DOUB BEARING OF THE SEED TRANSM	01	01
80Aa	0502011987	DOUBLE HOUSING BEARING	01	01
80B	0511063106	20Z AXLE BEARING DOBLE	01	01
80C	0503010365	NUT	02	02
81	0502040725	SPRING BUSHING LOCK GUIDE	01	01
82	0503010834	1/2 X 1 BOLT	01	01
83	0521013432	5/8" X 59" AXLE HEX	01	01
84	0503010300	5/32" X 1" COTTERPIN	02	02
85	0541013034	SPRING FIXER	01	01
86	0503030242	0.8" X 4.7" X 0.08" TRACTION SPRING	01	01
87	0503010004	1890 GREASE FITTING	01	01
88	0541010852	RH CHAIN PROTECTION CAP		01
89	0541010853	LH CHAIN PROTECTION CAP		01
90	0541010787	RH CHAIN PROTECTION CAP		01
91	0541010788	LH CHAIN PROTECTION CAP		01
92	0503011750	AMENDMENT WITH LOCK	01	01
93	0503011751	REDUCTION	01	01
94	0503031512	0.4" X 0.1"X 2" X 0.6" SPRING	04	04



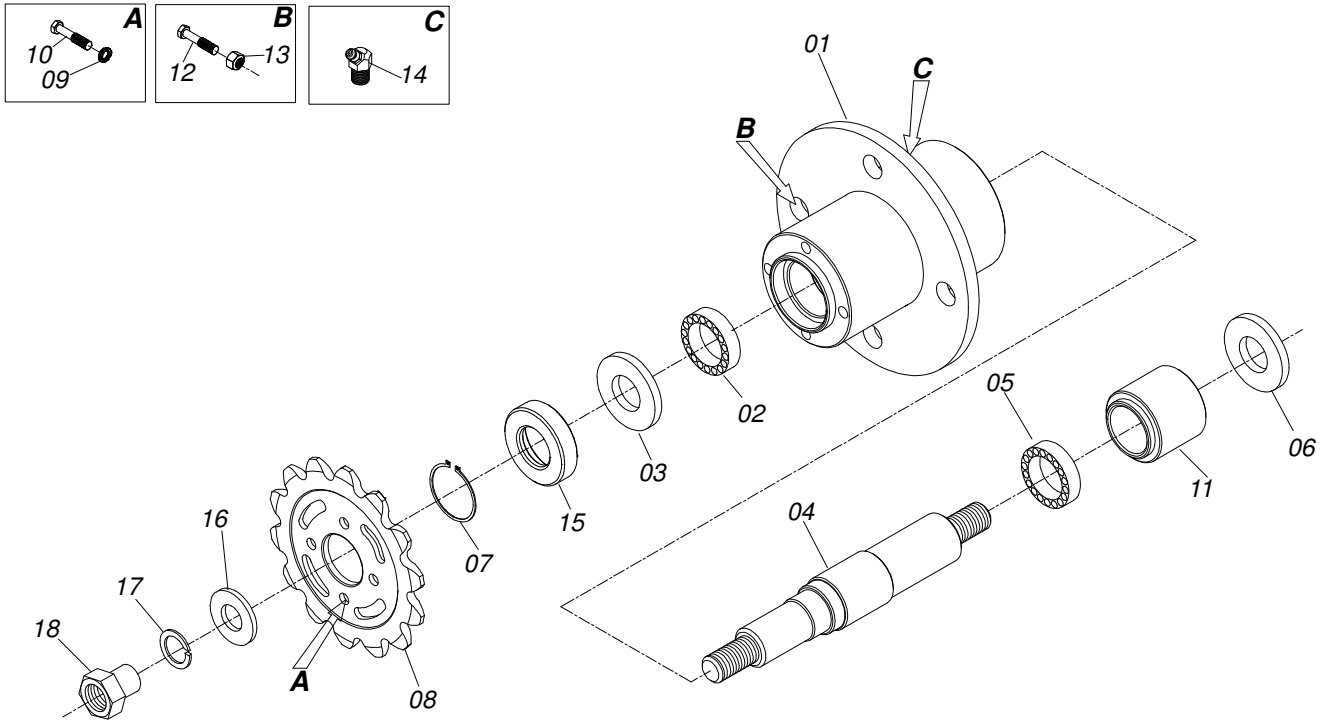
Item	Code	Description	QT
01	0511065051	CYLINDER CASE	01
02	0511063046	1.5" X 19.76" TURNBUCLE	01
03	0502010471	MOBILE COVER	01
04	0502010780	RING SUPPORT	01
05	0503010163	D-1500 SCRAPER RING	01
06	0503010989	1870-1500-375-B GASKET	01
07	0503010970	W1-1650-500 PK O-RING G.E	01
08	0503011058	8-330 BACK-UP RING	01
09	0503010161	2-330 N 3006 9B O-RING	01
10	0503010285	2-222 N 3006-9B O-RING	01
11	0502010783	1.5" X 2.5" PISTON	01
12	0503010160	2500 2000 GASKET	02
13	0503010973	W2-2500-500 PK O-RING G.E	01
14	0503010063	1" SELF-ALIGNING NUT	01
15	0501032666	HYDRAULIC CYLINDER REPAIR KIT	



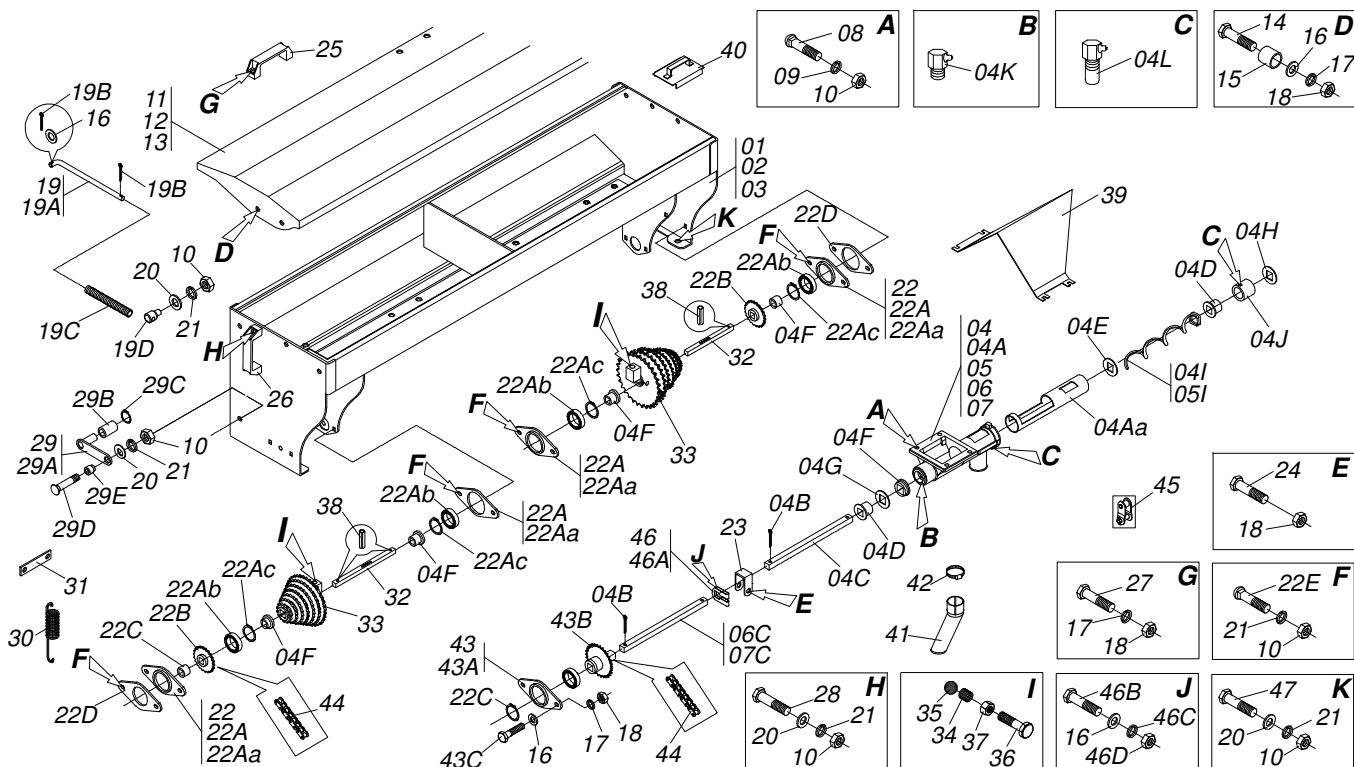
PHT3 PLUS
WHEELS ASSY

Page 5
0909091050

Item	Code	Description	QT
19	0503010013	5/8" NUT	02
20	0503012797	2050 CHAIN X 57 LINK + MENDING	02
21	0501052634	WHEEL CHAIN TENSIONER ASSY	02
21A	0511061287	WHEEL CHAIN TENSIONER	01
21B	0521013735	PULLEY ACTIVA 13/15 S-0199	01
21C	0503010302	501019 SEAL RING	01
21D	0503010920	1/2" X 1.1/2" BOLT	01
21E	0511017302	FLAT WASHER	01
21F	0503010019	1/2" SPRING WASHER	01
21G	0503011336	1/2" HEX SELF ADJUSTING NUT	01
21H	0503030242	0.8" X 4.7" X 0.08" TRACTION SPRING	01
21I	0503010004	1890 GREASE FITTING	01
22	0503010780	N-2050 AMENDMENT	02



Item	Code	Description	QT
01	0511061508	CARRYING WHEEL HUB	01
02	0503010276	6206 BALL BEARING	01
03	0503010268	00262-B SEAL	01
04	0521016792	CARRYING WHEEL AXLE	01
05	0503010312	6207 BALL BEARING	01
06	0503010528	SEAL # 00838-B	01
07	0503010370	502072 CLAMPING RING (FOR AXLE)	01
08	0521016735	14Z X P 1.25" GEAR	01
09	0503010025	3/8 SPRING WASHER	04
10	0503010256	3/8" X 3/4" BOLT	04
11	0521016791	1.38" X 2.08" X 1.93" SLEEVE	01
12	0503011063	9/16" X 1-1/2" BOLT	04
13	0503010035	9/16" CONIC NUT	04
14	0503010003	1845 GREASE FITTING	01
15	0521017566	0.8" X 1.5" X 0.39" SLEEVE	01
16	0511015346	FLAT WASHER	02
17	0503011438	SPRING WASHER	02
18	0521013510	3/4" NUT	02

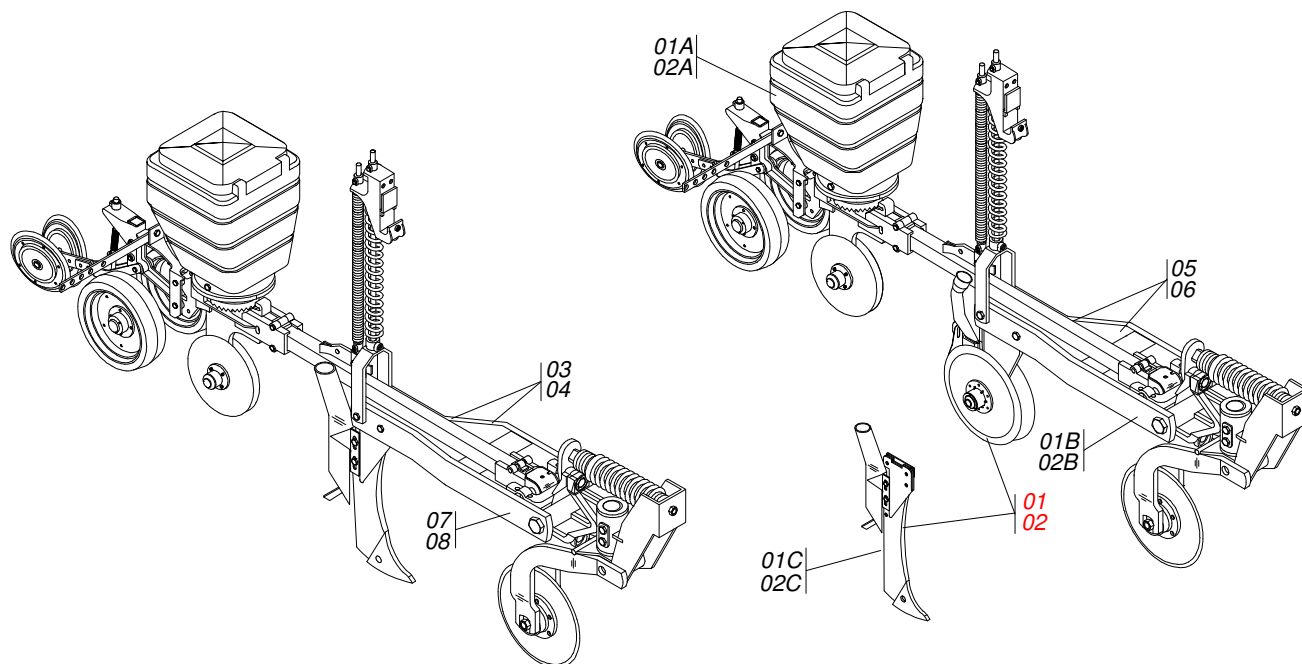


Item	Code	Description	3/3	5/5	7/7
00	0511042205	FERTILIZER BOX ASSY			01
00A	0511042194	FERTILIZER BOX ASSY			01
00B	0511042206	FERTILIZER BOX ASSY			02
01	0511065070	FERTILIZER BOX			01
02	0511065046	FERTILIZER BOX			01
03	0511065071	FERTILIZER BOX			01
04	0501050272	DISTRIBUTOR OF RIGHT FERTILIZER			02 03 03
04A	0501110120	FERTILIZER DISTRIBUTOR BODY			02 03 03
04Aa	0511013789	FERTILIZER TUBE			02 03 03
04B	0503013155	1/4" X 1.1/4" COTTERPIN			04 06 06
04C	0501017391	3/4" X 14.3" SQUARE SHAFT			02 03 03
04D	0503030275	AGRICULTURAL BEARING			04 06 06
04E	0501013774	GREASE SEAL			02 03 03
04F	0503030303	SUPPORT WASHER			02 03 03
04G	0501010637	FLAT WASHER			02 03 03
04H	0511017137	FLAT WASHER			02 03 03
04I	0503031164	RIGHT HELICAL CONDUTOR			02 03 03
04J	0521010309	SLEEVE INTER			02 03 03
04K	0503012826	CREASE FITTING			02 03 03
04L	0503011962	GREASE FITTING			02 03 03
05	0501050273	LH FERTILIZER METERING			01 01 01
05I	0503031165	LEFT HELICAL CONDUTOR			01 01 01
06	0501053276	555 FERTILIZER METERING RIGHT			01 01
06A	0501110082	FERTILIZER DISTRIBUTOR BODY			01 01
06C	0531010243	3/4" X 21.8" SQUARE SHAFT			01 01
07	0501054927	448 FERTILIZER METERING RIGHT			02
07C	0541010724	3/4" X 17.64" SQUARE SHAFT			02
08	0501011643	3/8 X 1"BOLT			12 20 28
09	0503011443	SPRING WASHER			12 20 28
10	0503010026	3/8" NUT			27 37 45
11	0511065072	FERTILIZER BOX COVER			01
12	0511065047	FERTILIZER BOX COVER			01
13	0511065073	FERTILIZER BOX COVER			02

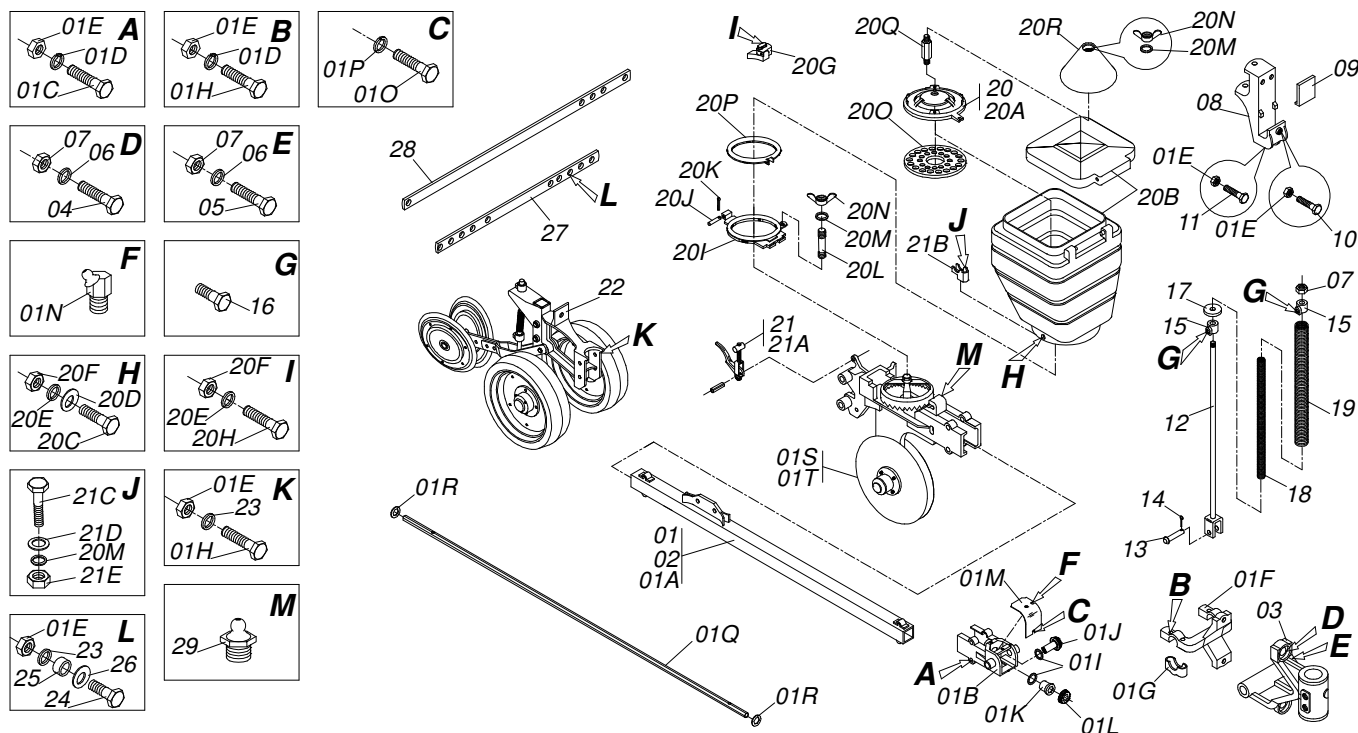


PHT3 PLUS
FERTILIZER BOX ASSY

Item	Code	Description	3/3	5/5	7/7
14	0503010421	5/16" X 1-1/2" BOLT	02	02	04
15	0521011116	COVER PIVOT BUSHING	02	02	04
16	0501010694	FLAT WASHER	08	08	12
17	0503010179	SPRING WASHER	12	14	16
18	0503010337	5/16" NUT	14	16	20
19	0501051927	COVER PIVOT SHAFT ASSY	02	02	04
19A	0521011120	COVER PIVOT SHAFT	02	02	04
19B	0503010140	1/8" X 3/4" COTTERPIN	04	04	08
19C	0503031329	COMPRES SPRING	02	02	04
19D	0521011117	PIVOT SPRING AXLE	02	02	04
20	0501010984	FLAT WASHER	14	14	17
21	0503010025	3/8 SPRING WASHER	13	13	15
22	0501054924	FERTILIZER BOX BEARING	01	01	01
22A	0501052759	BEARING OF THE GEAR BOX ASSY	01	01	01
22Aa	0502011697	BEARING OF THE GEAR BOX	01	01	01
22Ab	0503011410	ROLLER BEARING	01	01	01
22Ac	0503011105	SEAL RING	01	01	01
22B	0511065052	20Z FERTILIZER MOVED GEAR	01	01	01
22C	0503010406	501025 CLAMPING RING (FOR AXLE)	01	01	01
22D	0541010568	CHOCK BEARING	02	02	02
22E	0501011787	3/8" X 1-1/2" BOLT	02	02	02
23	0501017476	DRAGING	02	04	06
24	0503010397	5/16" X 1-3/4" BOLT	02	04	06
25	0503011907	PMC 594-S NYLON LUG	01	02	02
26	0503011957	PMC 596-S NYLON LUG	02	02	02
27	0503010363	5/16" X 1" BOLT	06	08	08
28	0503010237	3/8" X 1" BOLT	04	04	04
29	0501054933	FERTILIZER TENSIONER CHAIN ASSY	01	01	01
29A	0511065105	FERTILIZER TENSIONER CHAIN	01	01	01
29B	0531012485	0.7" X 1.18" X 1.34" SLEEVE	01	01	01
29C	0503010302	501019 SEAL RING	01	01	01
29D	0501011787	3/8" X 1-1/2" BOLT	01	01	01
29E	0541010771	FERT CHAIN TENSIONER PIVOT SHAFT	01	01	01
30	0503030242	0.8" X 4.7" X 0.08" TRACTION SPRING	01	01	01
31	0541013034	SPRING FIXER	01	01	01
32	0541010651	DRIVEN AXLE	02	02	02
33	0511060396	DRIVE/DRIVEN AXLE CONE	02	02	02
34	0503031512	0.4" X 0.1" X 2" X 0.6" SPRING	02	02	02
35	0503012389	1/2 BALL	02	02	02
36	0503010395	1/2" X 1-1/4" BOLT	02	02	02
37	0503010060	1/2" NUT	02	02	02
38	0503010292	0.2" X 1.6" SPRING PIN	04	04	04
39	0541010800	DEFLECTOR		01	
40	0503031900	FERTILIZER BEAN LIP	03	05	07
41	0503030150	BEND SOCKET	03	05	07
42	0503010246	CLAMP	03	05	07
43	0501053608	BEARING ASSY WITH GEAR 20Z & 5/8" HEX AXLE	01	01	01
43A	0501053609	5/8 DOUB BEARING OF THE SEED TRANSM	01	01	01
43B	0511063106	20Z AXLE BEARING DOBLE	01	01	01
43C	0503010365	NUT	02	02	02
44	0503013195	40-1 CHAIN X 42 LINK + REDUCTION	02	02	02
45	0503011751	REDUCTION	01	01	01
46	0501053788	Q3/4" FASTENER AXLE ASSY		01	03
46A	0521010691	AXLE FASTENER		01	03
46B	0503010373	1/4" X 2" BOLT		01	03
46C	0503010143	SPRING WASHER		01	03
46D	0503010144	1/4" NUT		01	03
47	0503010751	C3/8" X 1.1/4" HEX BOLT G.5	04	04	04



Item	Code	Description	QT
01	0511042345	RH SEED/FERTILIZER ROW ASSY	01
01A	0511042347	RH SEED ROW ASSY	01
01B	0501054913	LH FERTILIZER ROW ASSY	01
01C	0501052768	SCARIFIER SPINDLE	01
02	0511042346	RH SEED/FERTILIZER ROW ASSY	01
02A	0511042348	LH SEED ROW ASSY	01
02B	0501054912	RH FERTILIZER ROW ASSY	01
02C	0501052767	SCARIFIER SPINDLE	01
03	0511043120	RH SEED/FERTILIZER ROW ASSY	01
04	0511043121	LH SEED/FERTILIZER ROW ASSY	01
05	0511043122	RH DDD SEED/FERTILIZER ROW ASSY	01
06	0511043123	LH DDD SEED/FERTILIZER ROW ASSY	01
07	0511042227	RH SHANKS FERTILIZER ROW ASSY	01
08	0511042228	LH SHANKS FERTILIZER ROW ASSY	01

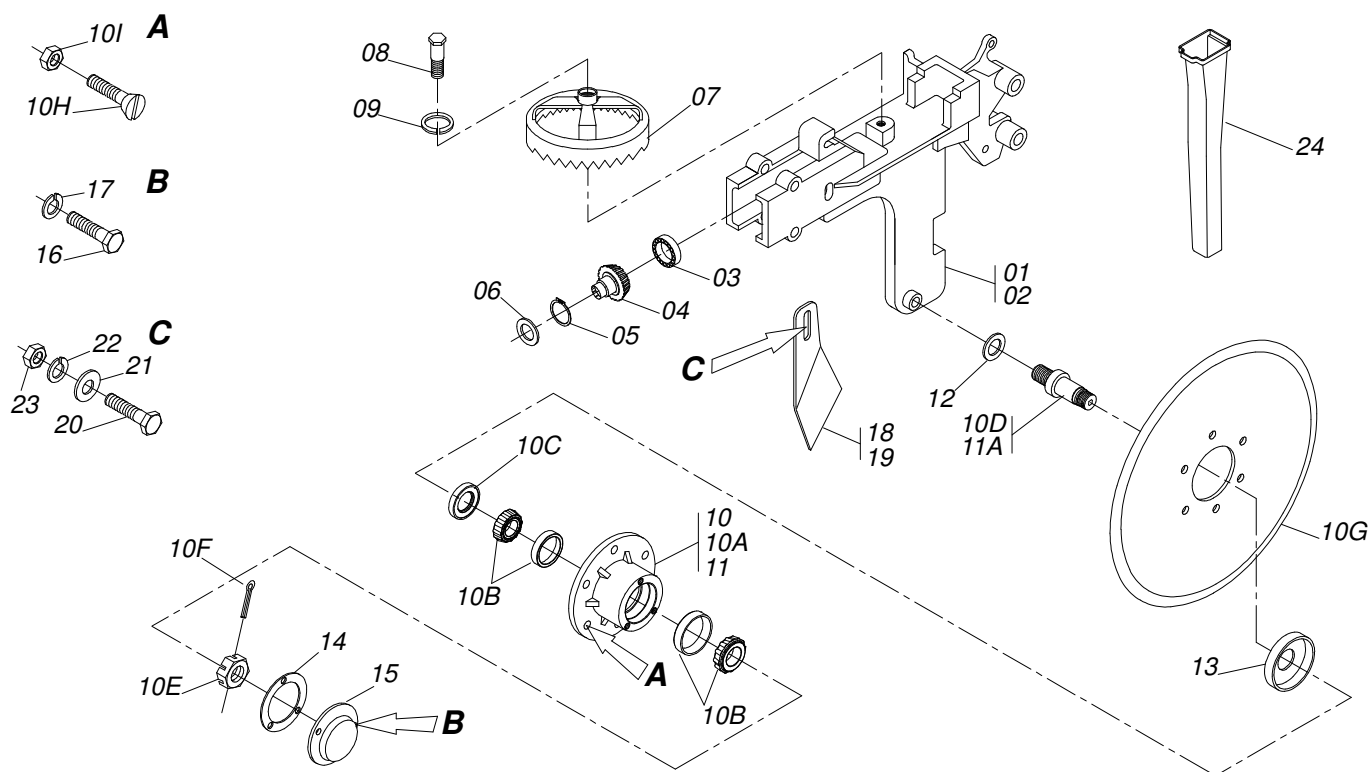


Item	Code	Description	QT
00	0511042347	RH SEED ROW ASSY	00
00A	0511042348	LH SEED ROW ASSY	00
01	0501054914	RH SEED ROW ARM	01
01A	0511065045	SEED ROW ARM	01
01B	0502011830	ARTICULACION SUPPORT	01
01C	0503010752	1/2" X 3.1/2" BOLT	04
01D	0503011440	SPRING WASHER	08
01E	0503010060	1/2" NUT	13
01F	0502011561	BEARING SEMI	01
01G	0502010426	UPPER BEARING SEMI	02
01H	0503010479	1/2" X 3" BOLT	04
01I	0501013354	FLAT WASHER	01
01J	0502011400	18Z CONICAL GEAR	01
01K	0502011296	1/2 HEX AXLE BEARING SLEEVE	01
01L	0502011505	18Z CONICAL GEAR	01
01M	0521018079	SEEP ROW DRAWBAR COVER	01
01N	0503011099	GREASE FITTING	01
01O	0503010298	1/4" X 1/2" BOLT	02
01P	0503011441	SPRING WASHER	02
01Q	0521018588	1/2" X 32.28" HEX AXLE	01
01R	0501013352	FLAT WASHER	03
01S	0501055674	RIGHT 15" X 15" DOUBLE DISC	01
01T	0501055675	LH 15" X 15" DOUBLE DISC	01
02	0501054915	LH SEED ROW ARM	01
03	0502011567	FERTILIZER ROW SUPPORT	01
04	0503010762	5/8" X 3-12" BOLT	01
05	0501010163	5/8" X 4-1/2" BOLT	01
06	0503010027	SPRING WASHER	02
07	0503010013	5/8" NUT	03
08	0502012129	SPRING GUIDE SUPPORT	01
09	0502010891	SPRING CHOCK SUPPORT VARON	01
10	0503010395	1/2" X 1-1/4" BOLT	01
11	0503010920	1/2" X 1.1/2" BOLT	01



PHT3 PLUS
SEED ROW ASSY

Item	Code	Description	QT
12	0511060376	SEEP SPRING GUIDE	01
13	0521010542	COUPLING SHAFT	01
14	0503010257	1/8" X 1" COTTERPIN	01
15	0502040534	SPRING GUIDE BUSHING LOCK	02
16	0503010834	1/2 X 1 BOLT	02
17	0501013753	FLAT WASHER	01
18	0503031359	1"X15.75"X0.15" COMPRESSION SPRING	01
19	0503031360	1.68"X17.75"X0.3" COMPRESS SPRING	01
20	0501053347	SEED SYSTEM ASSY	01
20A	0502020324	SEED BOX SUPPORT	01
20B	0503031667	BOX YELLOW SEED WITH GREEN COVER	01
20C	0503010240	5/16" X 3/4" BOLT	04
20D	0501010694	FLAT WASHER	04
20E	0503010179	SPRING WASHER	05
20F	0503010337	5/16" NUT	05
20G	0501051094	SEED DISTRIB ASSY WITH DOUB PULLEY	01
20H	0503010675	5/16" X 2.1/4" BOLT	01
20I	0502010408	SEED DISC LOWER TRAIL	01
20J	0521010536	0.3" X 3.8" COUPLING SHAFT	01
20K	0503010140	1/8" X 3/4" COTTERPIN	01
20L	0503030083	3/8" X 3/8" X 1.6" STUD	01
20M	0503010025	3/8 SPRING WASHER	03
20N	0503010209	3/8" UNC BUTTERFLY NUT	02
20O	0502020564	SOYBEAN DISC WITH 100 HOLES	01
20P	0502020518	CORN DISC	01
20Q	0502020519	CORN DISC	01
20R	0502020565	SOYBEAN DISC WITH 90 HOLES	01
20S	0501013355	DISC SEAT	01
20T	0511013590	HEX STUD 3/8" X 3/8"	01
20U	0511013494	DEFLECTOR	01
21	0501054593	FAST LOCK ASSY	01
21A	0501054710	SEMIFINISHED FAST CLOSING SET	01
21B	0531018622	BOLT FAST SUPPORT UPPER	01
21C	0501010096	3/8" X 2" BOLT	01
21D	0501010984	FLAT WASHER	01
21E	0503010026	3/8" NUT	01
22	0501054992	DEPTH CONTROL WHEELS ASSY	01
23	0503010019	1/2" SPRING WASHER	03
24	0503010740	1/2" X 2" BOLT	01
25	0521010505	13,50 X 19,00 X 21,50 SLEEVE	01
26	0511017302	FLAT WASHER	01
27	0501013714	STABILIZER BAR	01
28	0501018652	CORN STABILIZER BAR	01
29	0503010002	1800 GREASE FITTING	01



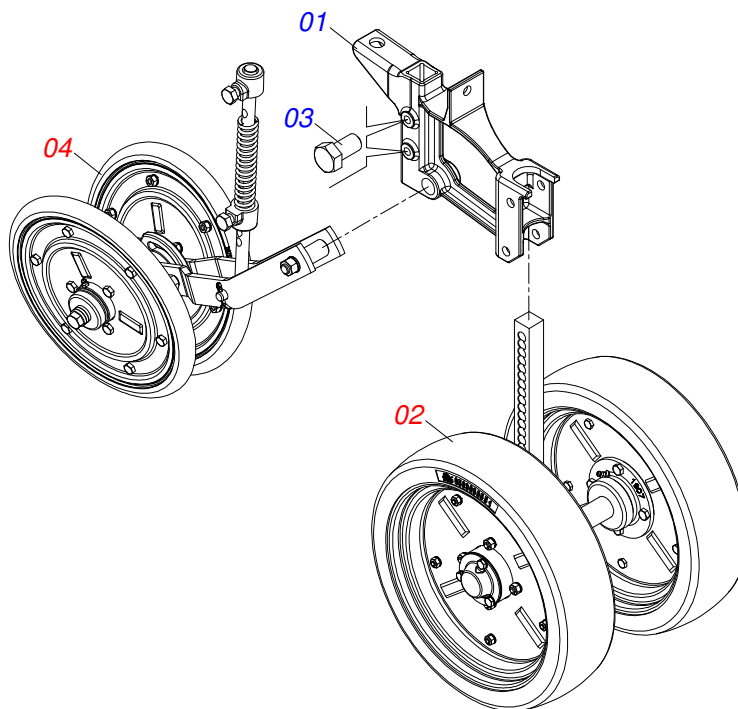
Item	Code	Description	QT
00	0501055674	RIGHT 15" X 15" DOUBLE DISC	01
00A	0501055675	LH 15" X 15" DOUBLE DISC	01
01	0502012071	15" X 15" DOUBLE DISC SUPPORT	01
02	0502012072	LH 15" X 15" DOUBLE DISC SUPPORT	01
03	0503011410	ROLLER BEARING	02
04	0502012225	10Z CONICAL GEAR	01
05	0503010406	501025 CLAMPING RING (FOR AXLE)	01
06	0501013354	FLAT WASHER	01
07	0501110383	40Z CONICAL GEAR	01
08	0503011172	1/2" X 2-1/2" BOLT	01
09	0503010019	1/2" SPRING WASHER	01
10	0501054167	DOUBLE DISC HUB WITH 15" COULTER	01
10A	0502011930	DOUBLE DISC COULTER BOX	01
10B	0503010598	30204 BALL BEARING	02
10C	0503011112	SEAL 02376-BRG	01
10D	0521019154	RIGHT DOUB DISC HUB	01
10E	0503030282	3/4" CASTLE NUT	01
10F	0503010257	1/8" X 1" COTTERPIN	01
10G	0603022042	13" X 0.12" PLAIN COULTER BLADE	01
10H	0503010546	5/16" X 7/8" BOLT	06
10I	0503010337	5/16" NUT	06
11	0501054168	LEFT UNAL DOBLE-DISC BOX ASSY	01
11A	0521019148	LEFT DOUBLE DISC HUB	01
12	0511015098	FLAT WASHER	02
13	0511011927	DUST CLOAK	02
14	0503030757	2.9" X 2" X 0.02" JOINT	02
15	0521019178	COVER DEPTH	02
16	0503010298	1/4" X 1/2" BOLT	06
17	0503010143	SPRING WASHER	06
18	0501017542	LH DOUBLE DISC SCRAPER	01
19	0501017541	RH DOUBLE DISC SCRAPER	01
20	0503010751	C3/8" X 1.1/4" HEX BOLT G.5	01
21	0501010984	FLAT WASHER	02



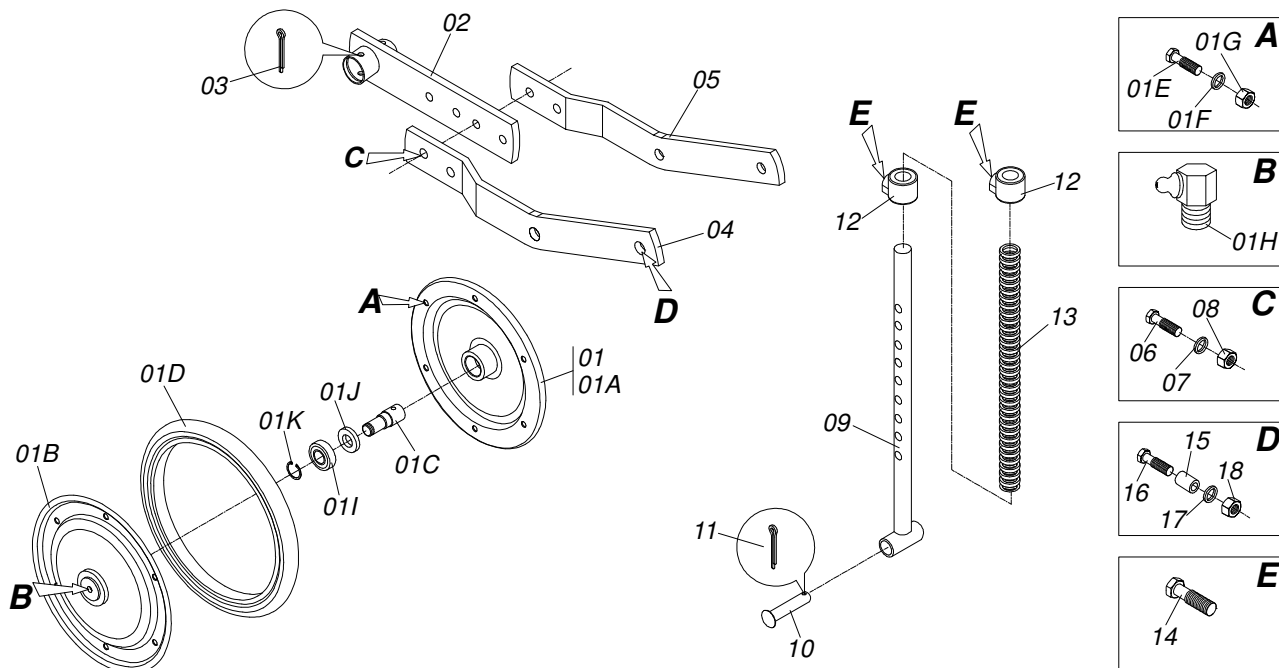
15 X 15 SEED UNAL DOUBLE-DISC ASSY

0909091089

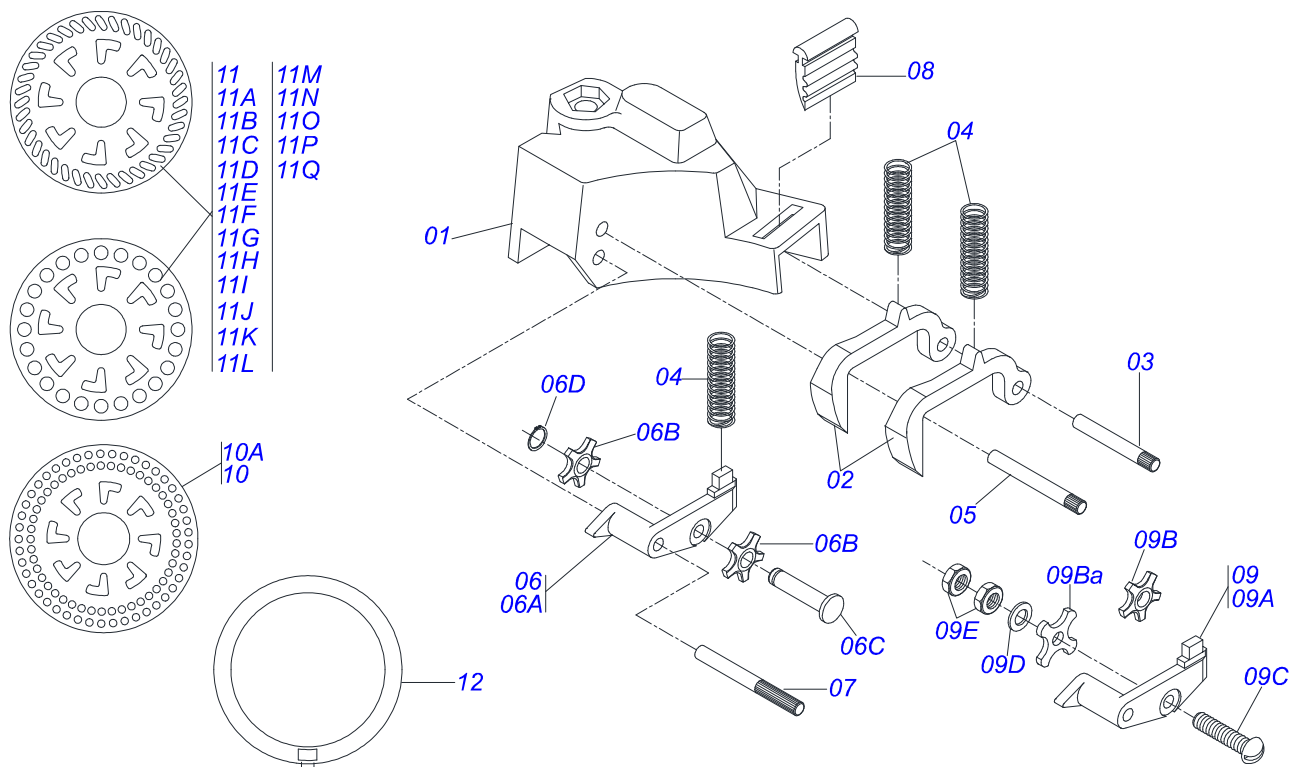
Item	Code	Description	QT
22	0503010025	3/8 SPRING WASHER	01
23	0503010026	3/8" NUT	01
24	0503030482	SEED SOCKET	01



Item	Code	Description	QT
01	0502012236	DEPTH WHEEL SUPPORT	01
02	0501043613	DEPTH WHEEL	01
03	0501018535	1/2 X 1 BOLT	02
04	0501059329	WHEELS ASSY	01



Item	Code	Description	QT
00	0501050927	PRESS WHEELS ASSY	01
01	0501050882	PRESS WHEEL ASSY	02
01A	0501068827	PRESS RIM SEMI	02
01B	0501068828	PRESS RIM SEMI	02
01C	0511017891	V PRESS WHEEL AXLE	02
01D	0503031421	DEPTH CONTROL WHEEL RUBBER BAND	02
01E	0503010295	5/16" X 5/8" BOLT	12
01F	0503010179	SPRING WASHER	12
01G	0503010337	5/16" NUT	12
01H	0503010004	1890 GREASE FITTING	02
01I	0503011763	6203 BALL BEARING	04
01J	0503010272	SEAL 00715-BA	02
01K	0503011166	501017 CLAMPING RING (FOR AXLE)	02
02	0501064232	PRESS WHEELS FIXER ASSY	01
03	0503010571	1/4" X 1.1/2" COTTERPIN	02
04	0501013798	LEFT ARM	01
05	0501013799	RIGHT ARM	01
06	0503010849	3/8" X 1-1/2" BOLT	02
07	0503010025	3/8" SPRING WASHER	02
08	0503010026	3/8" NUT	02
09	0501069979	SPRING REGULATOR	01
10	0521013310	0.5" X 3" COUPLING SHAFT	01
11	0503010300	5/32" X 1" COTTERPIN	01
12	0502040725	SPRING BUSHING LOCK GUIDE	02
13	0503030399	1"X5.1"X 0.2" COMPRESSION SPRING	01
14	0501018535	1/2 X 1 BOLT	02
15	0521010512	0.5" X 0.7" X 1.6" SLEEVE INTER	01
16	0503010479	1/2" X 3" BOLT	01
17	0503010019	1/2" SPRING WASHER	01
18	0503011336	1/2" HEX SELF ADJUSTING NUT	01

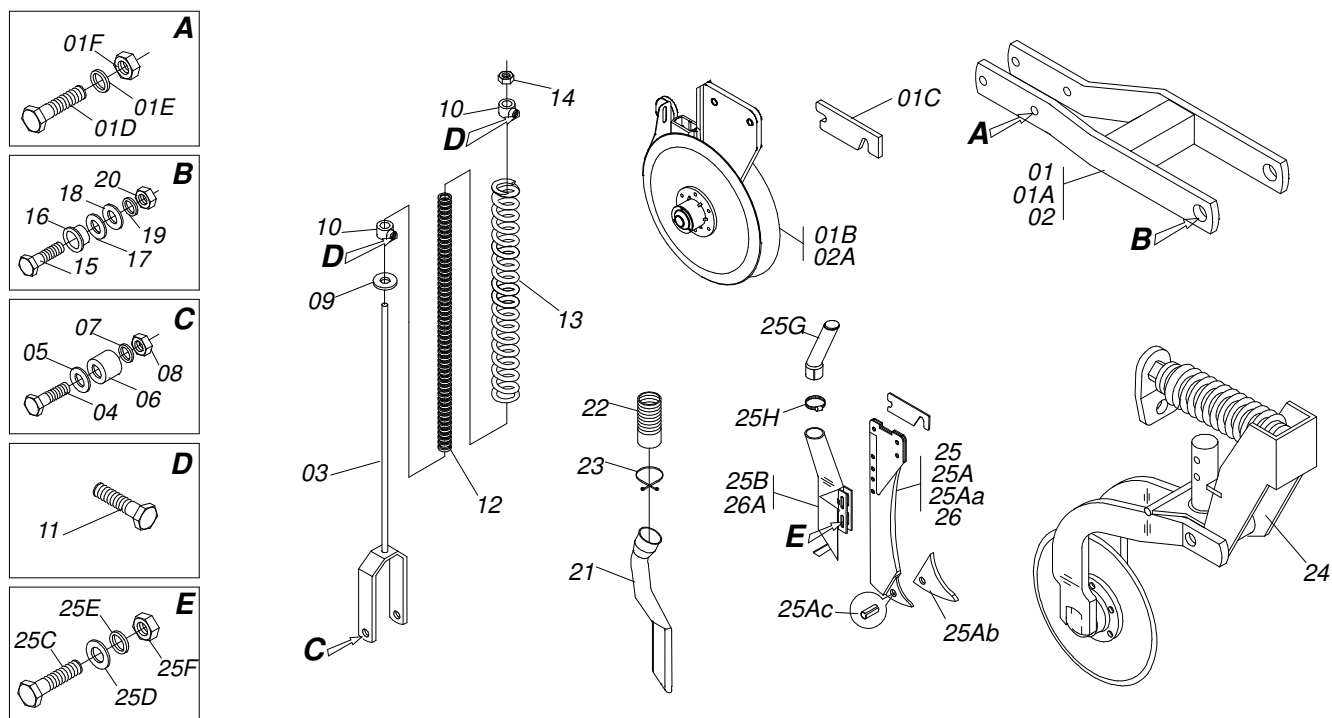


Item	Code	Description	QT
00	0501051094	SEED DISTRIB ASSY WITH DOUB PULLEY	01
00A	0501050077	SEED DISTRIB ASSY W/ SIMPLE PULLEY	01
01	0503030381	SEED DISTRIBUTOR BOX	01
02	0502010447	TRIGGER	02
03	0501013467	KEY AXLE	01
04	0503030378	0.4" X 1.1" X 0.03" SPRING	03
05	0501013466	KEY LIMITER AXLE	01
06	0501051119	DOUBLE PULLEY ROCKER'S	01
06A	0503031129	DOUBLE PULLEY ROCKER ARM	01
06B	0503031128	5Z PLASTIC DOUB PULLEY FOR SOYBEAN	02
06C	0503031130	PIN OF THE PULLEY	01
06D	0503011853	503050 CLAMPING RING (FOR HOLE)	01
07	0501013468	ROCKER ARM AXLE, OF THE PULLEY	01
08	0503030377	SCRAPER	01
09	0501050120	LARGER WALKING BEAM ASSY	01
09A	0503030379	LARGER ROCKER ARM	01
09B	0502060001	PLASTIC PULLEY FOR MAIZE	01
09Ba	0503030558	PLASTIC PULLEY FOR MAIZE	01
09C	0503010803	3/16" X 3/4" BOLT	01
09D	0503010669	FLAT WASHER	01
09E	0503010667	3/16" NUT	02
10	0502020584	BEAN SEED DISC 64 HOLE OBLONG	01
10A	0502020585	COTTON SEED DISC 64 HOLE OBLONG	01
11	0502020351	CORN SEED DISC 24 HOLE	01
11A	0502020366	CORN SEED DISC 24 HOLE	01
11B	0502020331	BEAN SEED DISC 26 HOLE OBLONG	01
11C	0502020408	BEAN SEED DISC 38 HOLE OBLONG	01
11D	0502020353	SORGO BEET SEED DISC 40 HOLE	01
11E	0502020346	RICE SEED DISC 40 OBLONG	01
11F	0502020560	SUNFLOWER SEED DISC 28 OBLONG	01
11G	0502020554	SUNFLOWER SEED DISC 28 OBLONG	01
11H	0502020340	DISC WITHOUT HOLE	01
11I	0502020367	DISC WITHOUT HOLE	01



PHT3 PLUS
SEED DISTRIBUTOR ASSY

Item	Code	Description	QT
11J	0502020328	SOYBEAN SEED DISC 34 OBLONG	01
11K	0503031678	DISC WITHOUT HOLE	01
11L	0502020327	DISC WITHOUT HOLE	01
11M	0503031677	DISC WITHOUT HOLE	01
11N	0502020583	PEANUT SEED DISC 20	01
11O	0502020419	COTTON SEED DELINTED 40	01
11P	0502020407	BEAN SEED DISC	01
11Q	0502020333	BEAN SEED DISC	01
12	0511017897	DISC SEAT	01

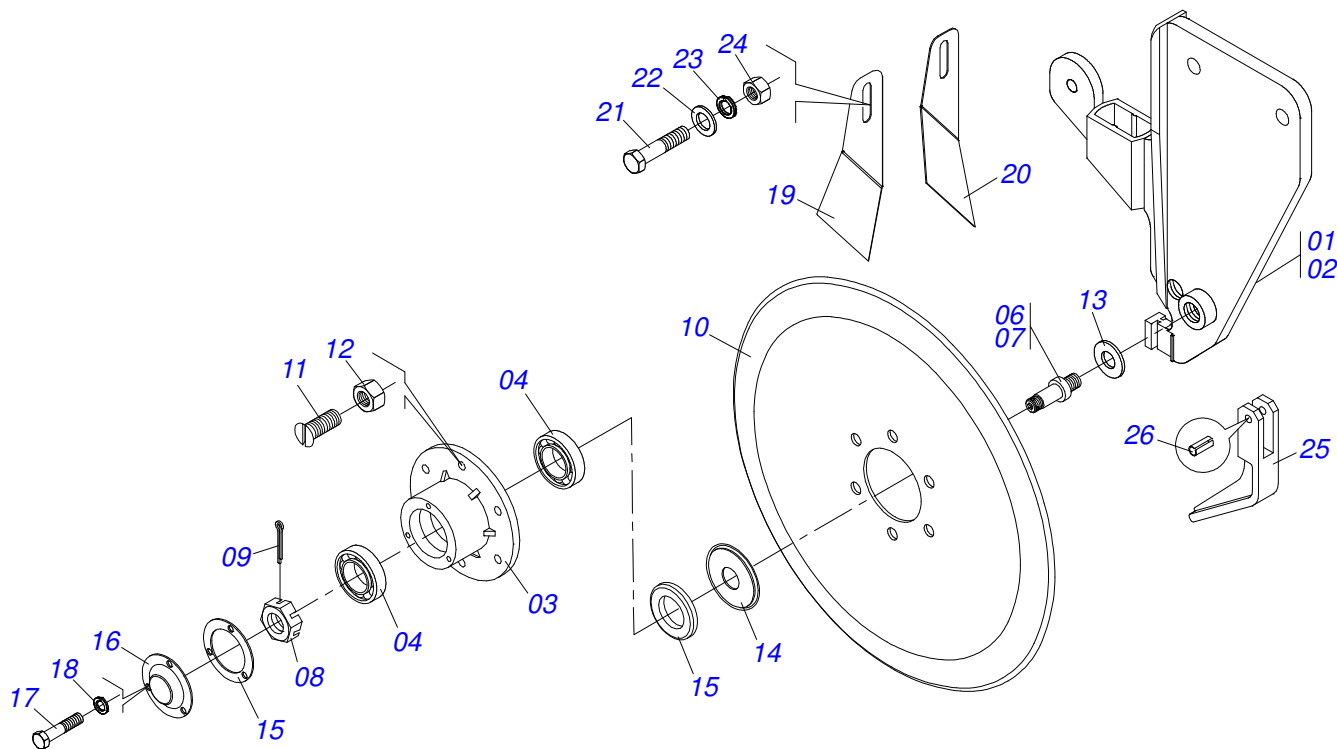


Item	Code	Description	QT
00	0501054912	RH FERTILIZER ROW ASSY	01
00A	0501054913	LH FERTILIZER ROW ASSY	01
01	0501053348	RH FERTILIZER ROW ARM	01
01A	0511062695	FERTILIZER ARM ROW	01
01B	0501052976	15 X 15 RIGHT FERT UNAL DOUB-DISC ASSY	01
01C	0511018662	SPACING PLATE	06
01D	0503010706	1/2" X 4.1/2" BOLT	01
01E	0503011440	SPRING WASHER	01
01F	0503010060	1/2" NUT	01
02	0501053349	LH FERTILIZER ROW ARM	01
02A	0501052977	15 X 15 LEF FERT UNAL DOUB-DISC ASSY	01
03	0511062702	FERTILIZER SPRING GUIDE	01
04	0503011411	1/2" X 5-1/2" BOLT	01
05	0511017302	FLAT WASHER	02
06	0501013739	0.77 X 0.53 X 0.41 BUSHING	02
07	0503010019	1/2" SPRING WASHER	01
08	0503011336	1/2" HEX SELF ADJUSTING NUT	01
09	0501013753	FLAT WASHER	01
10	0502040534	SPRING GUIDE BUSHING LOCK	02
11	0501018535	1/2 X 1 BOLT	02
12	0503030609	1"X11.81"X 0.16" COMPRESSION SPRING	01
13	0503030917	1.6"X11.8"X 0.2" COMPRESSION SPRING	01
14	0503010013	5/8" NUT	01
15	0501010066	3/4" X 9" BOLT	01
16	0521018797	0.7" X 1" X .55" SLEEVE	02
17	0511017232	FLAT WASHER	02
18	0511017304	FLAT WASHER	02
19	0503010023	SPRING WASHER	01
20	0503010014	3/4" NUT	01
21	0503030391	RIGHT FERTILIZER SOCKET	01
22	0503030408	10 X 2 X 390 HOSE	01
23	0503031076	2" HOSE CLAMP	02
24	0511040570	16" BLADE DISC ASSY	01

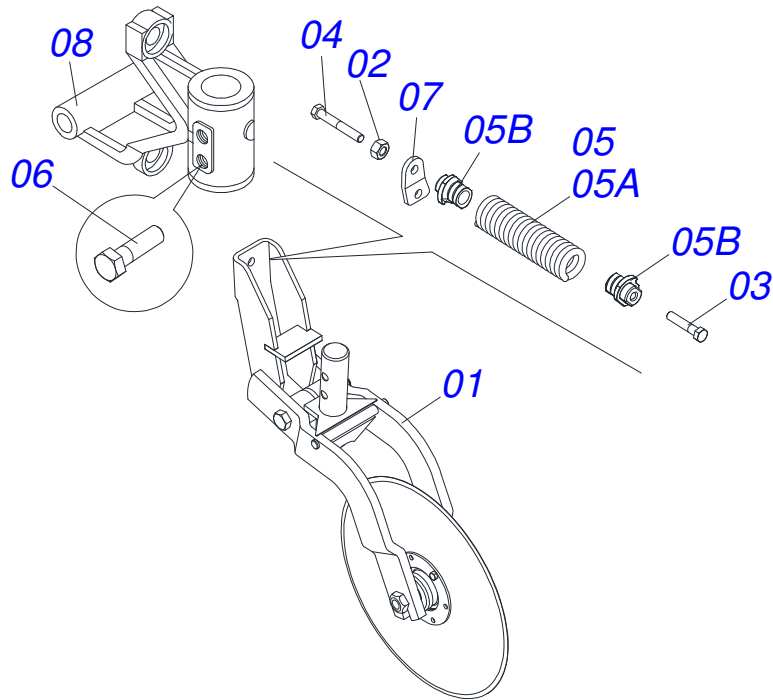


PHT3 PLUS
FERTILIZER ROW ASSY

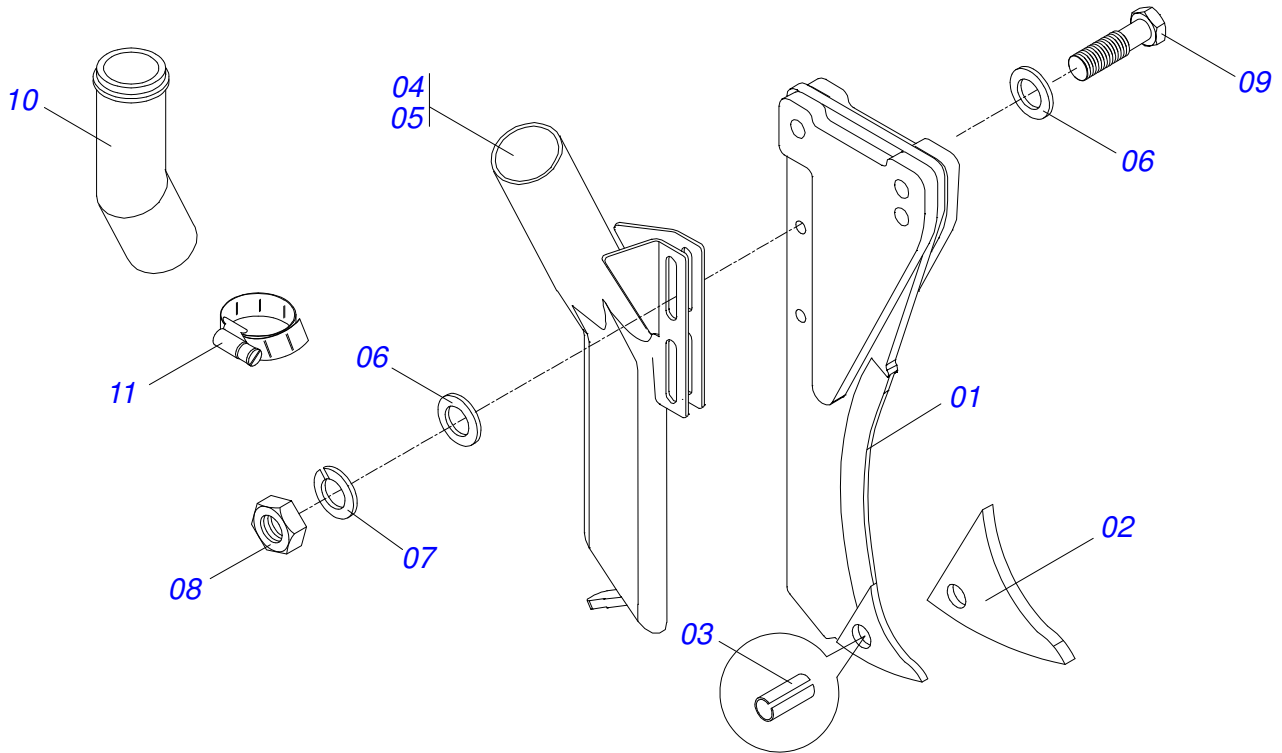
Item	Code	Description	QT
25	0501052767	SCARIFIER SPINDLE	01
25A	0501110231	SCARIFIER SPINDLE	01
25Aa	0511061768	FERTILIZER SCARIFIER SPINDLE	01
25Ab	0502070061	POINT SUBSOILER	01
25Ac	0503011373	0.4" X 1.1" SPRING PIN	01
25B	0511061769	FERTILIZER CONDUCTOR RIGHT	01
25C	0503010751	C3/8" X 1.1/4" HEX BOLT G.5	02
25D	0501010984	FLAT WASHER	04
25E	0503010025	3/8 SPRING WASHER	02
25F	0503010026	3/8" NUT	02
25G	0503031050	CURVED CONDUCTOR	01
25H	0503010246	CLAMP	01
26	0501052768	SCARIFIER SPINDLE	01
26A	0511061770	FERTILIZER CONDUCTOR LEFT	01



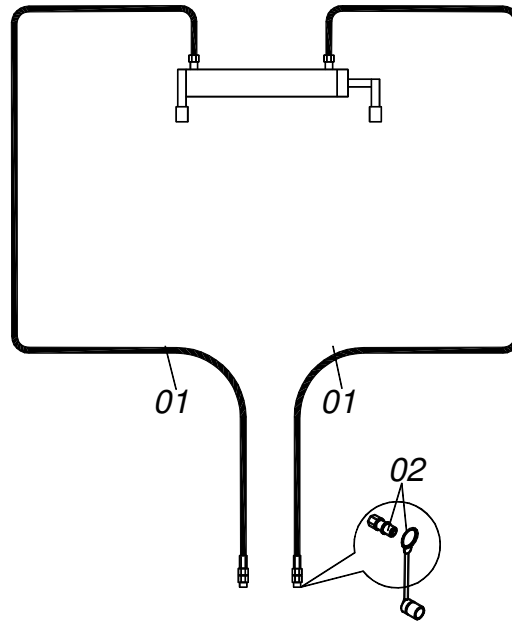
Item	Code	Description	DIR	ESQ
00	0501052976	15 X 15 RIGHT FERT UNAL DOUB-DISC ASSY	01	00
00A	0501052977	15 X 15 LEF FERT UNAL DOUB-DISC ASSY	00	01
01	0502011160	15"X15" RIGHT DOUBLE DISC SUPPORT	01	00
02	0502011161	15"X15" LEFT DOUBLE DISC SUPPORT	00	01
03	0502011930	DOUBLE DISC COULTER BOX	02	02
04	0503010598	30204 BALL BEARING	04	04
05	0503011112	SEAL 02376-BRG	02	02
06	0521019154	RIGHT DOUB DISC HUB	01	01
07	0521019148	LEFT DOUBLE DISC HUB	01	01
08	0503030282	3/4" CASTLE NUT	02	02
09	0503010257	1/8" X 1" COTTERPIN	02	02
10	0603022042	13" X 0.12" PLAIN COULTER BLADE	02	02
11	0503010546	5/16" X 7/8" BOLT	12	12
12	0503010337	5/16" NUT	02	02
13	0511015098	FLAT WASHER	06	06
14	0511011927	DUST CLOAK	02	02
15	0503030757	2.9" X 2" X 0.02" JOINT	02	02
16	0521019178	COVER DEPTH	02	02
17	0503014729	1/4" UNF X 1/2" BOLT	06	06
18	0503011441	SPRING WASHER	06	06
19	0501017541	RH DOUBLE DISC SCRAPER	01	01
20	0501017542	LH DOUBLE DISC SCRAPER	01	01
21	0503010751	C3/8" X 1.1/4" HEX BOLT G.5	01	01
22	0501010984	FLAT WASHER	02	02
23	0503011443	SPRING WASHER	01	01
24	0503010026	3/8" NUT	01	01
25	0502070062	SCRAPER	01	01
26	0503011402	0.2" X 0.8" SPRING PIN	01	01



Item	Code	Description	QT
01	0501056428	ROW 16 BLADE DISC ASSY	01
02	0503010060	1/2" NUT	01
03	0503011264	1/2" X 2-1/2" BOLT	01
04	0503013329	1/2" UNC X 4-3/4" BOLT	01
05	0511057192	EXTENSION SPRING	01
05A	0503031681	2.1" X 7.78" EXTENSION SPRING	01
05B	0502011031	SPRING UPPER HITCH	02
06	0511016156	5/8" X 1.1/2" BOLT	02
07	0531012869	SUPPORT SPRING	01
08	0502011567	FERTILIZER ROW SUPPORT	01



Item	Code	Description	QT
00	0501052767	SCARIFIER SPINDLE	01
00.	0501052768	SCARIFIER SPINDLE	01
01	0501110231	SCARIFIER SPINDLE	01
02	0502070061	POINT SUBSOILER	01
03	0503011373	0.4" X 1.1" SPRING PIN	01
04	0511061769	FERTILIZER CONDUCTOR RIGHT	01
05	0511061770	FERTILIZER CONDUCTOR LEFT	01
06	0501010984	FLAT WASHER	04
07	0503010025	3/8 SPRING WASHER	02
08	0503010026	3/8" NUT	02
09	0503010751	C3/8" X 1.1/4" HEX BOLT G.5	02
10	0503031050	CURVED CONDUCTOR	01
11	0503010246	CLAMP	01



Item	Code	Description	QT
01	0501080883	TC-TM 3/8" X 59.06" HOSE ASSY	02
02	0501053834	MALE QUICK COUPLING AGRICULTURAL WITH	02



MARCHESAN IMPLEMENTOS E MÁQUINAS AGRÍCOLAS TATU S.A.

AV. Marchesan, 1979 - Post office box, 131 - CEP 15994-900 - Matão - SP - Brazil

Phone +55 16.3382-8282

(FAX Parts) + 55 16.3382. 8297 - (Export) + 55 16.3382.1003

e.mail: tatu@marchesan.com.br www.marchesan.com.br

Technical Publications: Elaboration

ALESSANDRA PATRICIA KAWAHARA CARRILI

Technical Publications: Revision

JOSÉ DOMINGOS GASPARI

Contact Catálogo:

E-mail = jgaspari@marchesan.com.br

**ORIGINAL PARTS
TATU**

