

CATÁLOGO DE PIEZAS

SEMBRADORAS

PHT3 PLUS

Código: 0501090730



Serie: S-0803

Rev.: 00

Fecha Rev.: JULHO/2004

PIEZAS ORIGINALES
TATU



PRODUCTOS

| Código | Descripción | |
|------------|-------------------------|--------|
| 0111030194 | PHT3 PLUS 3/ 2 C MH | S-0803 |
| 0111030170 | PHT3 PLUS 3/ 2 C MM | S-0803 |
| 0111030199 | PHT3 PLUS 3/ 2 C S/MARC | S-0803 |
| 0111030196 | PHT3 PLUS 3/ 2 D MH | S-0803 |
| 0111030172 | PHT3 PLUS 3/ 2 D MM | S-0803 |
| 0111030201 | PHT3 PLUS 3/ 2 D S/MARC | S-0803 |
| 0111030198 | PHT3 PLUS 3/ 2 H MH | S-0803 |
| 0111030174 | PHT3 PLUS 3/ 2 H MM | S-0803 |
| 0111030203 | PHT3 PLUS 3/ 2 H S/MARC | S-0803 |
| 0111030195 | PHT3 PLUS 3/ 3 C MH | S-0803 |
| 0111030171 | PHT3 PLUS 3/ 3 C MM | S-0803 |
| 0111030200 | PHT3 PLUS 3/ 3 C S/MARC | S-0803 |
| 0111030197 | PHT3 PLUS 3/ 3 D MH | S-0803 |
| 0111030173 | PHT3 PLUS 3/ 3 D MM | S-0803 |
| 0111030202 | PHT3 PLUS 3/ 3 D S/MARC | S-0803 |
| 0111030228 | PHT3 PLUS 3/ 3 H MH | S-0803 |
| 0111030227 | PHT3 PLUS 3/ 3 H MM | S-0803 |
| 0111030231 | PHT3 PLUS 3/ 3 H S/MARC | S-0803 |
| 0111030204 | PHT3 PLUS 5/ 3 C MH | S-0803 |
| 0111030175 | PHT3 PLUS 5/ 3 C MM | S-0803 |
| 0111030209 | PHT3 PLUS 5/ 3 C S/MARC | S-0803 |
| 0111030206 | PHT3 PLUS 5/ 3 D MH | S-0803 |
| 0111030177 | PHT3 PLUS 5/ 3 D MM | S-0803 |
| 0111030211 | PHT3 PLUS 5/ 3 D S/MARC | S-0803 |
| 0111030208 | PHT3 PLUS 5/ 3 H MH | S-0803 |
| 0111030179 | PHT3 PLUS 5/ 3 H MM | S-0803 |
| 0111030213 | PHT3 PLUS 5/ 3 H S/MARC | S-0803 |
| 0111030249 | PHT3 PLUS 5/ 4 C MH | S-0803 |
| 0111030248 | PHT3 PLUS 5/ 4 C MM | S-0803 |
| 0111030247 | PHT3 PLUS 5/ 4 C S/MARC | S-0803 |
| 0111030243 | PHT3 PLUS 5/ 4 D MM | S-0803 |

ATENCIÓN: **IMPORTANTE**

MARCHESAN S/A SE RESERVA EL DERECHO DE PERFECCIONAR Y/O MODIFICAR LAS CARACTERÍSTICAS TÉCNICAS DE SUS PRODUCTOS, SIN LA OBLIGACIÓN DE PROCEDER CON LOS YA COMERCIALIZADOS Y SIN CONOCIMIENTO PREVIO DEL DISTRIBUIDOR AUTORIZADO O DEL CONSUMIDOR.

PRODUCTOS

| | | |
|------------|-------------------------------|--------|
| 0111030242 | PHT3 PLUS 5/ 4 D S/MARC | S-0803 |
| 0111030251 | PHT3 PLUS 5/ 4 H MM | S-0803 |
| 0111030205 | PHT3 PLUS 5/ 5 C MH | S-0803 |
| 0111030176 | PHT3 PLUS 5/ 5 C MM | S-0803 |
| 0111030210 | PHT3 PLUS 5/ 5 C S/MARC | S-0803 |
| 0111030207 | PHT3 PLUS 5/ 5 D MH | S-0803 |
| 0111030178 | PHT3 PLUS 5/ 5 D MM | S-0803 |
| 0111030212 | PHT3 PLUS 5/ 5 D S/MARC | S-0803 |
| 0111030230 | PHT3 PLUS 5/ 5 H MH | S-0803 |
| 0111030229 | PHT3 PLUS 5/ 5 H MM | S-0803 |
| 0111030232 | PHT3 PLUS 5/ 5 H S/MARC | S-0803 |
| 0111030268 | PHT3 PLUS 5/2 DC DDD HS MM PT | S-803 |
| 0111030269 | PHT3 PLUS 5/2 DC DDD HS PT | S-803 |
| 0111030273 | PHT3 PLUS 5/5 C MM TIT | S-0915 |
| 0111030271 | PHT3 PLUS 5/5 S/L/SEM S/MARC | S-0803 |
| 0111030267 | PHT3 PLUS 7/ 2 C S/ML/DC | S-0803 |
| 0111030181 | PHT3 PLUS 7/ 4 C MH | S-0803 |
| 0111030180 | PHT3 PLUS 7/ 4 C MM | S-0803 |
| 0111030265 | PHT3 PLUS 7/ 4 C MM CPS | S-0803 |
| 0111030214 | PHT3 PLUS 7/ 4 C S/MARC | S-0803 |
| 0111030183 | PHT3 PLUS 7/ 4 D MH | S-0803 |
| 0111030182 | PHT3 PLUS 7/ 4 D MM | S-0803 |
| 0111030215 | PHT3 PLUS 7/ 4 D S/MARC | S-0803 |
| 0111030185 | PHT3 PLUS 7/ 4 H MH | S-0803 |
| 0111030184 | PHT3 PLUS 7/ 4 H MM | S-0803 |
| 0111030216 | PHT3 PLUS 7/ 4 H S/MARC | S-0803 |
| 0111030237 | PHT3 PLUS 7/ 5 C MH | S-0803 |
| 0111030236 | PHT3 PLUS 7/ 5 C MM | S-0803 |
| 0111030233 | PHT3 PLUS 7/ 5 C S/MARC | S-0803 |
| 0111030239 | PHT3 PLUS 7/ 5 D MH | S-0803 |
| 0111030238 | PHT3 PLUS 7/ 5 D MM | S-0803 |
| 0111030234 | PHT3 PLUS 7/ 5 D S/MARC | S-0803 |

ATENCIÓN: **IMPORTANTE**

MARCHESAN S/A SE RESERVA EL DERECHO DE PERFECCIONAR Y/O MODIFICAR LAS CARACTERÍSTICAS TÉCNICAS DE SUS PRODUCTOS, SIN LA OBLIGACIÓN DE PROCEDER CON LOS YA COMERCIALIZADOS Y SIN CONOCIMIENTO PREVIO DEL DISTRIBUIDOR AUTORIZADO O DEL CONSUMIDOR.

PRODUCTOS

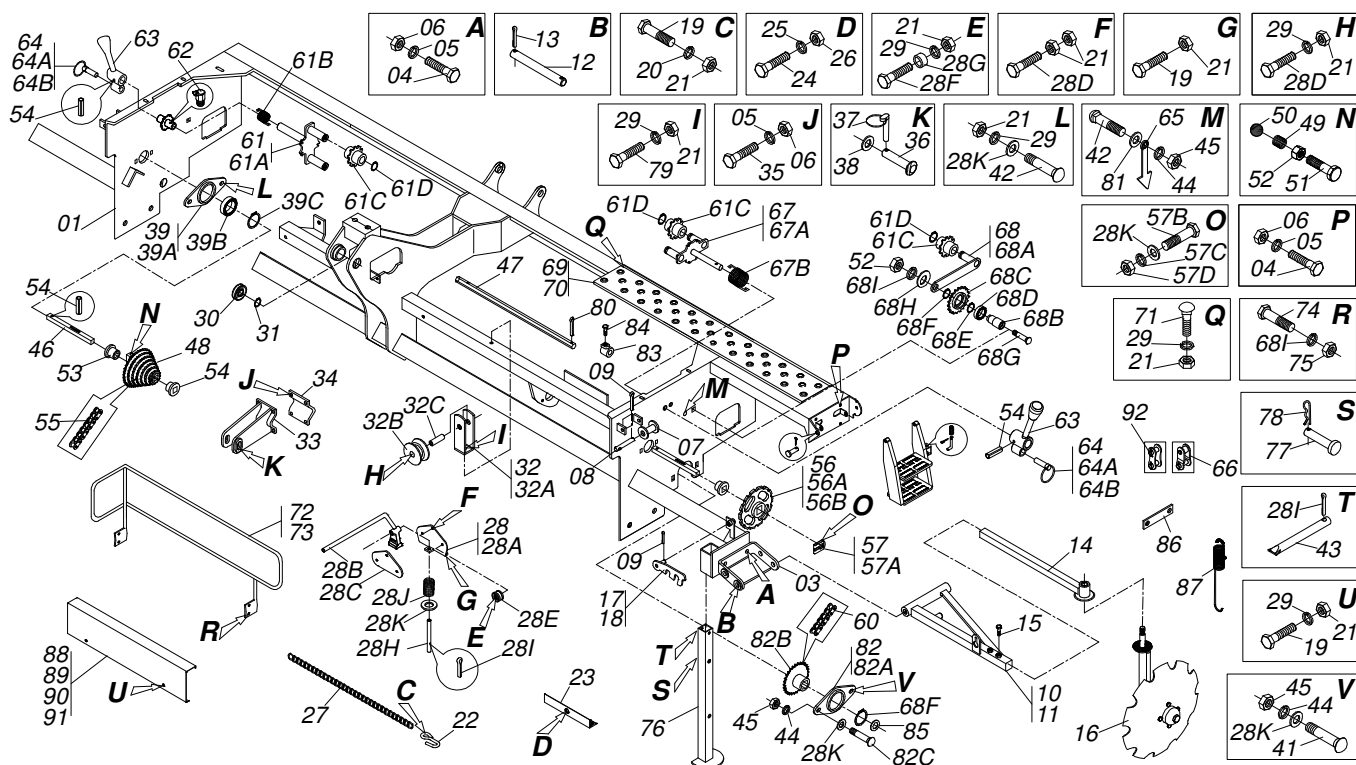
| | | |
|------------|-------------------------|--------|
| 0111030241 | PHT3 PLUS 7/ 5 H MH | S-0803 |
| 0111030240 | PHT3 PLUS 7/ 5 H MM | S-0803 |
| 0111030235 | PHT3 PLUS 7/ 5 H S/MARC | S-0803 |
| 0111030187 | PHT3 PLUS 7/ 6 C MH | S-0803 |
| 0111030186 | PHT3 PLUS 7/ 6 C MM | S-0803 |
| 0111030217 | PHT3 PLUS 7/ 6 C S/MARC | S-0803 |
| 0111030189 | PHT3 PLUS 7/ 6 D MH | S-0803 |
| 0111030188 | PHT3 PLUS 7/ 6 D MM | S-0803 |
| 0111030218 | PHT3 PLUS 7/ 6 D S/MARC | S-0803 |
| 0111030222 | PHT3 PLUS 7/ 6 H MH | S-0803 |
| 0111030221 | PHT3 PLUS 7/ 6 H MM | S-0803 |
| 0111030223 | PHT3 PLUS 7/ 6 H S/MARC | S-0803 |
| 0111030191 | PHT3 PLUS 7/ 7 C MH | S-0803 |
| 0111030190 | PHT3 PLUS 7/ 7 C MM | S-0803 |
| 0111030219 | PHT3 PLUS 7/ 7 C S/MARC | S-0803 |
| 0111030193 | PHT3 PLUS 7/ 7 D MH | S-0803 |
| 0111030192 | PHT3 PLUS 7/ 7 D MM | S-0803 |
| 0111030220 | PHT3 PLUS 7/ 7 D S/MARC | S-0803 |
| 0111030225 | PHT3 PLUS 7/ 7 H MH | S-0803 |
| 0111030224 | PHT3 PLUS 7/ 7 H MM | S-0803 |
| 0111030226 | PHT3 PLUS 7/ 7 H S/MARC | S-0803 |

ATENCIÓN: **IMPORTANTE**

MARCHESAN S/A SE RESERVA EL DERECHO DE PERFECCIONAR Y/O MODIFICAR LAS CARACTERÍSTICAS TÉCNICAS DE SUS PRODUCTOS, SIN LA OBLIGACIÓN DE PROCEDER CON LOS YA COMERCIALIZADOS Y SIN CONOCIMIENTO PREVIO DEL DISTRIBUIDOR AUTORIZADO O DEL CONSUMIDOR.

INDICE

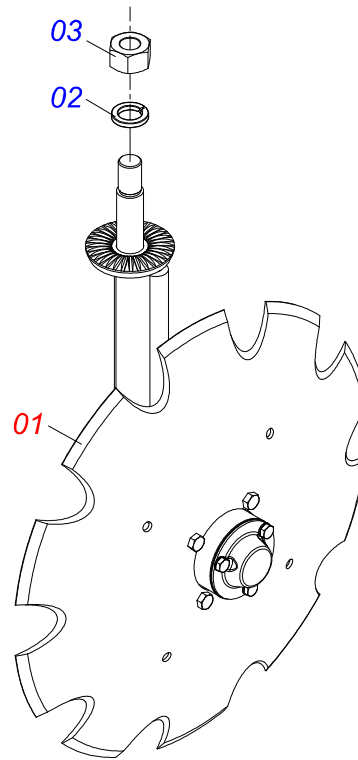
| | | | |
|------------|---|-------|----|
| 0909091026 | CHASIS (PHT PLUS) | | 1 |
| 0501050633 | DISCO MARCADOR LINEA COMPL | | 2 |
| 0909091090 | CHASIS MARCADOR LINEA HIDRAULICO | | 3 |
| 0511042197 | CILINDRO HIDRAULICO 38,1 X 63,5 X 572 X 452 | | 4 |
| 0909091050 | RODADO COMPLETO | | 5 |
| 0501052585 | RODADO S/NEUMATICO | | 6 |
| 0909091051 | CAJA ABONO COMPLETA | | 7 |
| 0909091084 | LINEA SEMILLA/ABONO DER COMPL | | 8 |
| 0909091056 | LINEA SEMILLA COMPLETA | | 9 |
| 0909091089 | DDD SEMILLA 15 X 15 COMPLETO | | 10 |
| 0501054992 | SIST RUEDA PROF/ COMPACT COMPL. | | 11 |
| 0501050927 | RUEDA COMPACTADORA COMPL | | 12 |
| 0909090134 | DISTRIBUIDOR SEMILLA COMPL | | 13 |
| 0909091087 | LINEA ABONO COMPLETA | | 14 |
| 0909090102 | DDD ABONO 15" X 15" COMPLETO | | 15 |
| 0511040570 | DISCO CORTE 16" COMPL | | 16 |
| 0909091030 | ASTA ESCARIFICADORA ABONO COMP | | 17 |
| 0909091097 | CIRCUITO HIDRÁULICO | | 18 |



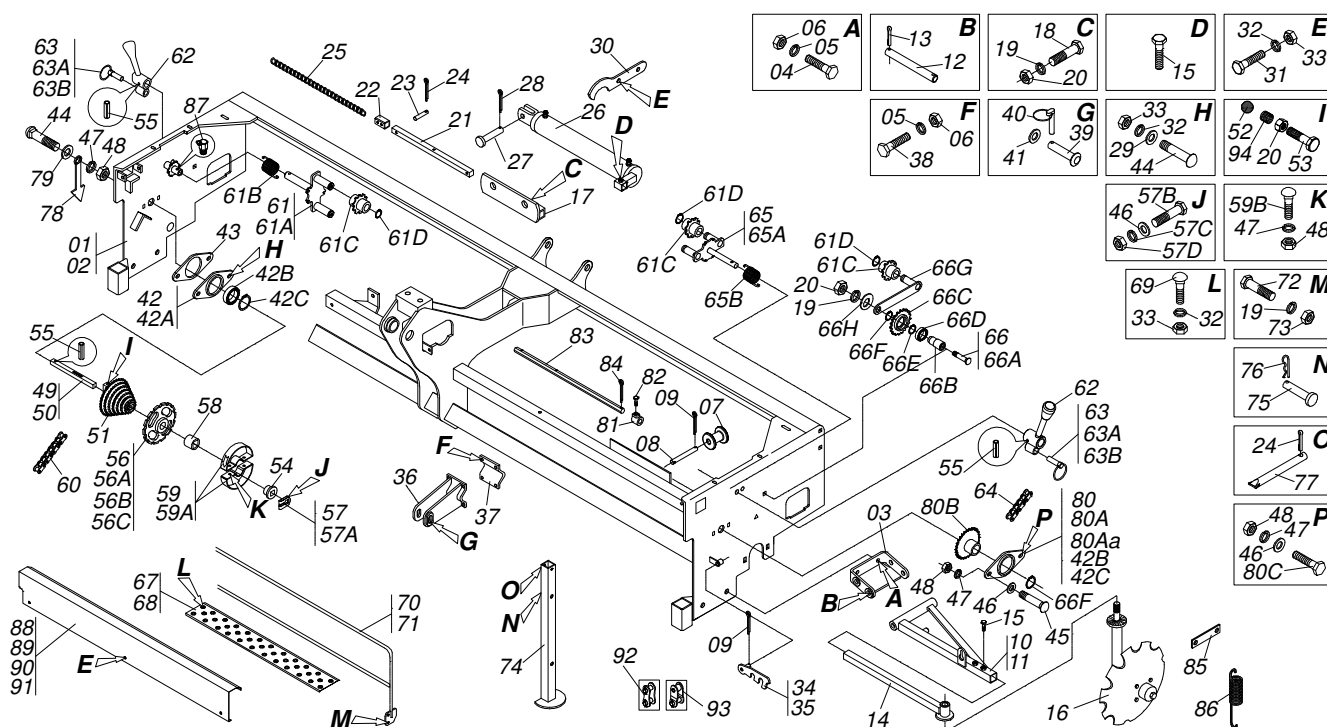
| Artículo | Código | Descripción | 05 07 |
|----------|------------|--------------------------------|-------|
| 01 | 0511065034 | CHASIS PHT3 PLUS 5/5 | 01 00 |
| 02 | 0511065066 | CHASIS PHT3 PLUS 7/7 | 00 01 |
| 03 | 0511062811 | SOPORTE MARCADOR LINEA | 02 02 |
| 04 | 0501010100 | TORNILLO 5/8 UNC X 2 C S G.5 | 04 04 |
| 05 | 0503010027 | ARANDELA PRESION | 12 12 |
| 06 | 0503012412 | TUERCA DE CIERRE 5/8 UNC S | 12 12 |
| 07 | 0502010421 | ROLDANA LATERAL | 02 02 |
| 08 | 0521010641 | EJE UNION | 02 02 |
| 09 | 0503010257 | PASADOR ABIERTO 1/8" X 1" | 04 04 |
| 10 | 0511062836 | BRAZO MARCADOR LINEA DER | 01 01 |
| 11 | 0511062837 | BRAZO MARCADOR LINEA IZQ | 01 01 |
| 12 | 0531012400 | COUPLING SHAFT | 02 02 |
| 13 | 0503010577 | PASADOR ABIERTO 3/16 X 1.1/4 | 04 04 |
| 14 | 0511061610 | BRAZO MARCADOR LINEA | 02 02 |
| 15 | 0501018535 | TORNILLO 1/2 UNC X 1 | 04 04 |
| 16 | 0501050633 | DISCO MARCADOR LINEA COMPL | 02 02 |
| 17 | 0511062908 | TRABA DERECHA MARCADOR LINEA | 01 01 |
| 18 | 0511062914 | TRABA IZQUIERDA MARCADOR LINEA | 01 01 |
| 19 | 0503010237 | TORNILLO 3/8 UNC X 1 | 08 08 |
| 20 | 0501010984 | ARANDELA PLANA | 04 04 |
| 21 | 0503010026 | TUERCA 3/8 | 26 26 |
| 22 | 0501013783 | GANCHO CON CADENA | 02 02 |
| 23 | 0541016683 | ANGLE BAR | 01 01 |
| 24 | 0501010276 | TORNILLO 1UNC X 3 | 01 01 |
| 25 | 0503010012 | ARANDELA PRESION 1" | 01 01 |
| 26 | 0501010059 | TUERCA 1.5/8 | 01 01 |
| 27 | 0501014152 | CADENA 5,0 X 6000 252 ESLABON | 01 01 |
| 28 | 0501052571 | SOPORTE PALANCA DESARME | 01 01 |
| 28A | 0511061292 | SOPORTE FIJADOR PALANCA COMPL | 01 01 |
| 28B | 0501068881 | ACCIONADOR | 01 01 |
| 28C | 0521016764 | FIJADOR ROLDANA | 01 01 |
| 28D | 0503011268 | TORNILLO 3/8 UNC X 2.1/2 | 01 01 |
| 28E | 0502010420 | ROLDANA CENTRAL | 02 02 |

| Artículo | Código | Descripción | 05 07 |
|----------|------------|--------------------------------------|-------|
| 28F | 0503011179 | TORNILLO 3/8" UNC X 2.1/4" | 02 02 |
| 28G | 0511014569 | BUJE 10 X 19,05 X 36 | 02 02 |
| 28H | 0511010804 | VARON RESORTE | 01 01 |
| 28I | 0503010140 | PASADOR ABIERTO 1/8" X 3/4" | 04 04 |
| 28J | 0503030078 | RESORTE COMPRESION 12 X 40 X 1,3 | 02 02 |
| 28K | 0501010694 | ARANDELA PLANA | 12 12 |
| 29 | 0503010025 | ARANDELA PRESION 3/8 | 22 22 |
| 30 | 0541010772 | ROLDANA CADENA MARCADOR LINEA | 02 02 |
| 31 | 0503010391 | ANILLO TENSOR 501038 (PARA EJE) | 02 02 |
| 32 | 0501054970 | GUIA CADENA MARCADOR LINEA | 02 02 |
| 32A | 0511065218 | SOPORTE ROLDANA | 01 01 |
| 32B | 0502011231 | ROLDANA CENTRAL | 01 01 |
| 32C | 0511019373 | BUJE 10 X 15,88 X 38 | 01 01 |
| 33 | 0511065048 | ENGANCHE INFERIOR MEDIO | 02 02 |
| 34 | 0511064353 | CAPTURA | 02 02 |
| 35 | 0501013233 | TORNILLO 5/8" UNC X 2.3/4" | 08 08 |
| 36 | 0521010581 | EJE UNION 25 X 125 | 02 02 |
| 37 | 0503030085 | CLAVIJA TRABA | 02 02 |
| 38 | 0501010065 | ARANDELA PRESION 1" | 02 02 |
| 39 | 0501052759 | CHUMACERA LA CAJA CAMBIO COMP | 06 06 |
| 39A | 0502011697 | CHUMACERA LA CAJA CAMBIO | 01 01 |
| 39B | 0503011410 | RODAMIENTO 6005 2RS | 01 01 |
| 39C | 0503011105 | ANILLO RETENCION AGUJERO | 01 01 |
| 40 | 0541010568 | CALZO CHUMACHERA | 04 04 |
| 41 | 0501010942 | TORNILLO 3/8" UNC X 1.1/4" | 08 08 |
| 42 | 0503011953 | TORNILLO 5/16 UNC X 1 | 05 05 |
| 43 | 0521010530 | EJE UNION | 02 02 |
| 44 | 0503010179 | ARANDELA PRESION | 09 09 |
| 45 | 0503010337 | TUERCA 5/16 | 09 09 |
| 46 | 0541010650 | EJE MOTOR ABONO SEMILLA | 02 |
| 47 | 0541011161 | EJE MOTOR ABONO/FERTILIZER | 02 |
| 48 | 0511060396 | CONO EJE MOV/MOTOR ABONO | 04 04 |
| 49 | 0503031512 | RESORTE COMPRESION 10,50X1,50XP3,50 | 04 04 |
| 50 | 0503012389 | ESFERA 1/2 | 04 04 |
| 51 | 0503010395 | TORNILLO 1/2" UNC X 1.1/4" | 04 04 |
| 52 | 0503010060 | TUERCA 1/2" UNC | 05 05 |
| 53 | 0503030303 | ARANDELA APOYO | 04 04 |
| 54 | 0503010292 | PASADOR TENSION 701164 6 X 40 | 06 06 |
| 55 | 0503012772 | CADEN 40-1 X 80 ESLABON + REDUCCIÓN | 02 02 |
| 56 | 0501054966 | ENGRAN 14Z X PASO 1.1/4" | 02 02 |
| 57 | 0501053788 | TORNILLO EJE A 3/4" COMPL | 04 04 |
| 57A | 0521010691 | PERNO EIXO | 01 01 |
| 57B | 0503010373 | TORNILLO 1/4" UNC X 2" | 01 01 |
| 57C | 0503010143 | ARANDELA PRESION | 01 01 |
| 57D | 0503010144 | TUERCA 1/4" UNC | 01 01 |
| 58 | 0502010671 | CHUMACERA CENTRAL | 01 01 |
| 59 | 0501052560 | SINALIZACION EJE MOTOR CPMP | 01 01 |
| 59A | 0503031825 | SINALIZACION EJE MOTOR | 02 02 |
| 59B | 0503010240 | TORNILLO 5/16" UNC X 3/4" | 02 02 |
| 60 | 0503012718 | CADENA 40-1 X 111 ESLABON + ENMIENDA | 01 01 |
| 61 | 0501052236 | ESTIRADOR CADENA DERECHA MAYOR | 01 01 |
| 61A | 0511060392 | ESTIRADOR CADENA MAYOR | 01 01 |
| 61B | 0503031366 | RESORTE TORSION DER | 01 01 |
| 61C | 0503031805 | ENGRANAJE 11Z P 1/2 | 02 02 |
| 61D | 0503010302 | ANILLO RETENCION EJE 501019 | 02 02 |
| 62 | 0502011758 | PALANCA ESTIRADOR TRASERO | 02 02 |
| 63 | 0501048790 | EJE COMPLETO CON ARGOLLA | 02 02 |
| 63A | 0521012476 | EJE LA PALANCA DEL CAMBIO | 01 01 |
| 63B | 0503031369 | ARGOLA 40 X 2,5 | 01 01 |
| 64 | 0541010591 | MARCADOR NIVELADO | 01 01 |
| 65 | 0503011751 | ESLABON | 01 01 |
| 66 | 0501052237 | ESTIRADOR CADENA IZQ. MAYOR COMPLETO | 01 01 |

| Artículo | Código | Descripción | 05 07 |
|----------|------------|-------------------------------------|-------|
| 66A | 0511060392 | ESTIRADOR CADENA MAYOR | 01 01 |
| 66B | 0503031367 | RESORTE | 01 01 |
| 67 | 0501054934 | ESTIRADOR CHAIN SEMILLA COMPLETO | 01 01 |
| 67A | 0511065088 | ESTIRADOR CHAIN SEMILLA | 01 01 |
| 67B | 0541010752 | EJE SOPORTE ESTIRADOR CHAIN SEMILLA | 01 01 |
| 67C | 0511062169 | ENGRANAJE 21Z P 1/2" | 01 01 |
| 67D | 0503011405 | RODAMIENTO 6005 Z | 01 01 |
| 67E | 0503011105 | ANILLO RETENCION AGUJERO | 01 01 |
| 67F | 0503010406 | ANILLO TENSOR 501025 (PARA EJE) | 01 01 |
| 67G | 0503012110 | TORNILLO 1/2" UNC X 3.3/4" | 01 01 |
| 67H | 0511017302 | ARANDELA PLANA 13.5 X 32.5 X 3.00 | 01 01 |
| 67I | 0503010019 | ARANDELA PRESION 1/2" | 01 01 |
| 68 | 0541010566 | PLATAFORMA 2160 PHT3 PLUS 5/5 | 01 |
| 69 | 0541010691 | PLATAFORMA PHT3 PLUS 7/7 | 01 |
| 70 | 0501011643 | TORNILLO 3/8" UNC X 1" | 04 04 |
| 71 | 0511065035 | PASAMANOS PHT3 PLUS 5/5 | 01 |
| 72 | 0511065068 | PASAMANOS PHT3 PLUS 7/7 | 01 |
| 73 | 0501011600 | TORNILLO 1/2" BSW X 1.1/4" | 04 04 |
| 74 | 0503010020 | TUERCA 1/2 | 04 04 |
| 75 | 0501065337 | DESCANSO PHT | 02 02 |
| 76 | 0521010809 | EJE UNION 11,11 X 64 | 02 02 |
| 77 | 0503030168 | PASADOR ABIERTO 3 X 50 | 02 02 |
| 78 | 0503010751 | TORNILLO 3/8" UNC X 1.1/4" | 01 01 |
| 79 | 0503010300 | PASADOR ABIERTO 5/32" X 1" | 02 02 |
| 80 | 0541010592 | ARANDELA PLANA | 01 01 |
| 81 | 0501053608 | CHUMACERA C/ENGR 20Z EJE HEX 5/8" | 01 01 |
| 81A | 0501053609 | CHUMACERA DUPLO TRANSM SEMILLA 5/8 | 01 01 |
| 81Aa | 0502011987 | CAJA DEL CHUMACERA DUPLO | 01 01 |
| 81Ab | 0503011105 | ANILLO RETENCION AGUJERO | 01 01 |
| 81Ac | 0503011410 | RODAMIENTO 6005 2RS | 01 01 |
| 81B | 0511063106 | EJE CHUMACERA DOBLE 20Z | 01 01 |
| 81C | 0503010365 | TORNILLO | 02 02 |
| 82 | 0502040725 | BUJE TRABA GUIA RESORTE | 01 01 |
| 83 | 0503010834 | TORNILLO 1/2 UNC X 1 | 01 01 |
| 84 | 0501013352 | ARANDELA PLANA | 03 03 |
| 85 | 0541013034 | FIJADOR RESORTE | 01 01 |
| 86 | 0503030242 | RESORTE TRACCION 20 X 120 X 2 | 01 01 |
| 87 | 0503010004 | GRASERA 1890 3/8" | 01 01 |
| 88 | 0541010852 | CAPA PROTECCIÓN CADERA DERECHA | 01 |
| 89 | 0541010853 | CAPA PROTECCIÓN CADERA IZQUIERDA | 01 |
| 90 | 0541010787 | CAPA PROTECCIÓN CADERA DERECHA | 01 |
| 91 | 0541010788 | CAPA PROTECCIÓN CADERA IZQUIERDA | 01 |
| 92 | 0503011750 | ENMIENDA CON TRABA | 01 01 |
| 93 | 0521013432 | EJE HEX 5/8" X 1500 | 01 01 |
| 95 | 0909091026 | CHASIS (PHT PLUS) | |



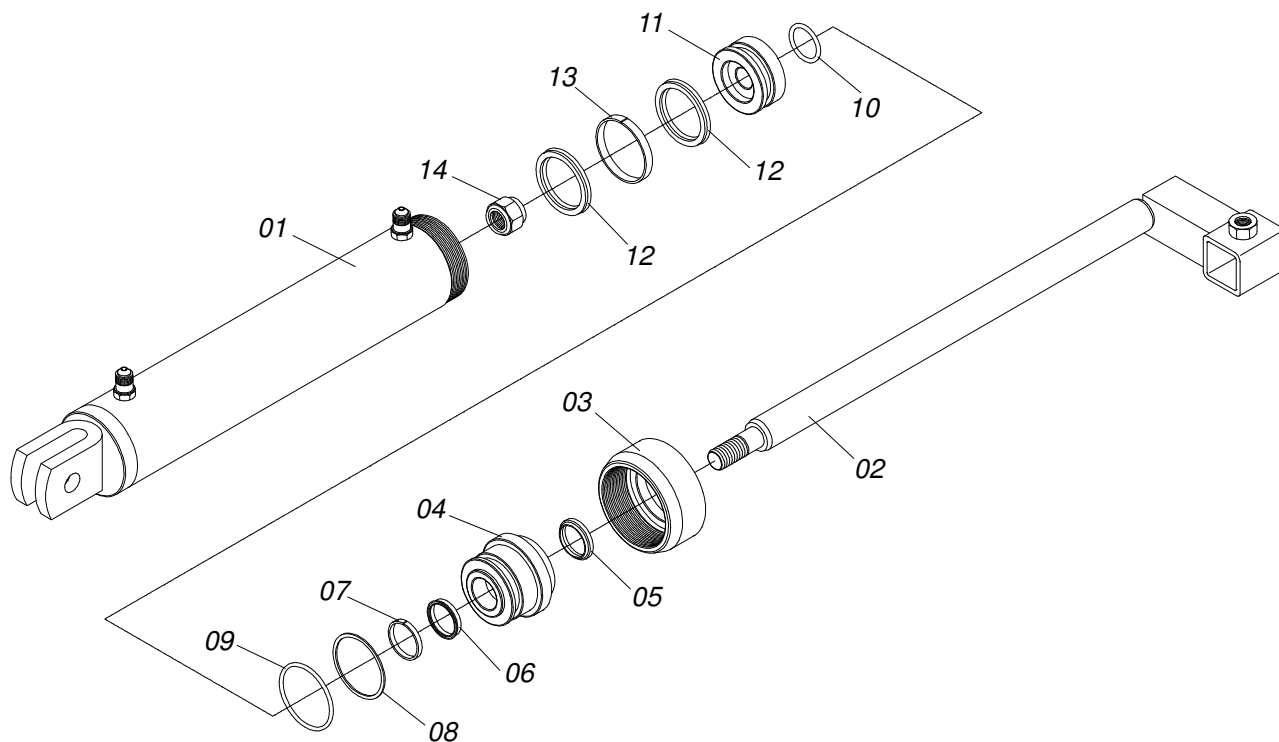
| Artículo | Código | Descripción | QT |
|----------|------------|----------------------|----|
| 01 | 0511053904 | DISCO MARCADOR LINEA | 01 |
| 02 | 0503010023 | ARANDELA PRESION | 01 |
| 03 | 0503010014 | TUERCA 3/4" UNC | 01 |



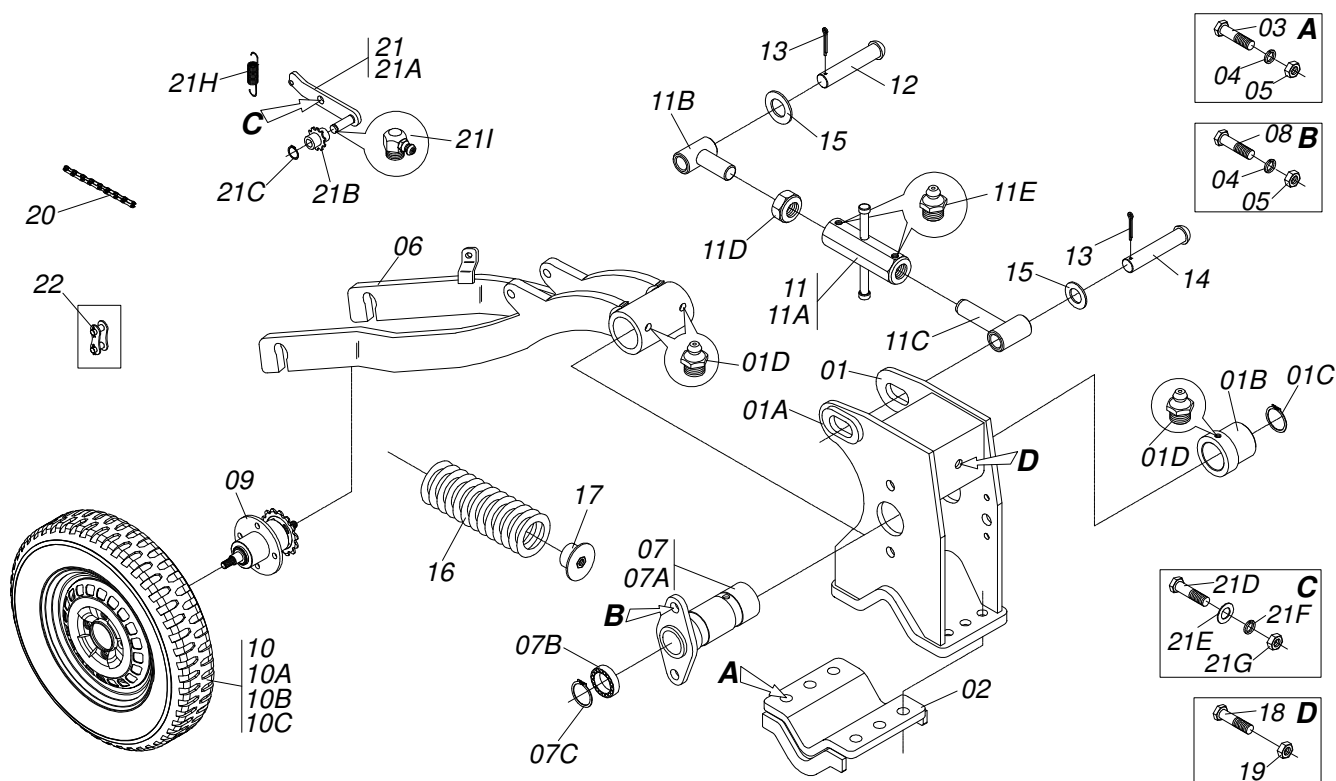
| Artículo | Código | Descripción | 5/5 | 5/7 |
|----------|------------|---|-----|-----|
| 01 | 0511065034 | CHASIS PHT3 PLUS 5/5 | 01 | |
| 02 | 0511065066 | CHASIS PHT3 PLUS 7/7 | | 01 |
| 03 | 0511062811 | SOPORTE MARCADOR LINEA | 02 | 02 |
| 04 | 0501010100 | TORNILLO 5/8 UNC X 2 C S G.5 | 04 | 04 |
| 05 | 0503010027 | ARANDELA PRESION | 12 | 12 |
| 06 | 0503012412 | TUERCA DE CIERRE 5/8 UNC S | 12 | 12 |
| 07 | 0502010421 | ROLDANA LATERAL | 02 | 02 |
| 08 | 0521010641 | EJE UNION | 02 | 02 |
| 09 | 0503010257 | PASADOR ABIERTO 1/8" X 1" | 04 | 04 |
| 10 | 0511062836 | BRAZO MARCADOR LINEA DER | 01 | 01 |
| 11 | 0511062837 | BRAZO MARCADOR LINEA IZQ | 01 | 01 |
| 12 | 0531012400 | COUPLING SHAFT | 02 | 02 |
| 13 | 0503010577 | PASADOR ABIERTO 3/16 X 1.1/4 | 04 | 04 |
| 14 | 0511061610 | BRAZO MARCADOR LINEA | 02 | 02 |
| 15 | 0501018535 | TORNILLO 1/2 UNC X 1 | 05 | 05 |
| 16 | 0501050633 | DISCO MARCADOR LINEA COMPL | 01 | 01 |
| 17 | 0501065640 | GUIA VARON MARCADOR LINEA | 01 | 01 |
| 18 | 0503010920 | TORNILLO 1/2 UNC X 1.1/2 | 02 | 02 |
| 19 | 0503010019 | ARANDELA PRESION 1/2" | 07 | 07 |
| 20 | 0503010060 | TUERCA 1/2" UNC | 07 | 07 |
| 21 | 0541010644 | EJE MARCADOR LINEA | 01 | 01 |
| 22 | 0541010791 | ENGANCHE CADENA MARCADOR LINEA | 02 | 02 |
| 23 | 0521010539 | EJE UNION 8.30 X 31 CA | 04 | 04 |
| 24 | 0503010140 | PASADOR ABIERTO 1/8" X 3/4" | 06 | 06 |
| 25 | 0503012638 | CADENA 5,0 X 1310 | 02 | 02 |
| 26 | 0511042197 | CILINDRO HIDRAULICO 38,1 X 63,5 X 572 X 452 | 01 | 01 |
| 27 | 0521010561 | EJE UNION 18 X 53 | 01 | 01 |
| 28 | 0503010018 | PASADOR ABIERTO 5/32 X 1.1/2 | 01 | 01 |
| 29 | 0501010984 | ARANDELA PLANA | 08 | 08 |
| 30 | 0541010570 | FIJADOR GUIA | 01 | 01 |
| 31 | 0503010237 | TORNILLO 3/8 UNC X 1 | 02 | 02 |
| 32 | 0503010025 | ARANDELA PRESION 3/8 | 14 | 14 |
| 33 | 0503010026 | TUERCA 3/8 | 14 | 14 |

| Artículo | Código | Descripción | 5/5 | 5/7 |
|----------|------------|--------------------------------------|-----|-----|
| 34 | 0511062908 | TRABA DERECHA MARCADOR LINEA | 01 | 01 |
| 35 | 0511062914 | TRABA IZQUIERDA MARCADOR LINEA | 01 | 01 |
| 36 | 0511065048 | ENGANCHE INFERIOR MEDIO | 02 | 02 |
| 37 | 0511064353 | CAPTURA | 02 | 02 |
| 38 | 0501013233 | TORNILLO 5/8" UNC X 2.3/4" | 08 | 08 |
| 39 | 0521010581 | EJE UNION 25 X 125 | 02 | 02 |
| 40 | 0503030085 | CLAVIJA TRABA | 02 | 02 |
| 41 | 0501010065 | ARANDELA PRESION 1" | 02 | 02 |
| 42 | 0501052759 | CHUMACERA LA CAJA CAMBIO COMP | 06 | 06 |
| 42A | 0502011697 | CHUMACERA LA CAJA CAMBIO | 01 | 01 |
| 42B | 0503011410 | RODAMIENTO 6005 2RS | 01 | 01 |
| 42C | 0503011105 | ANILLO RETENCION AGUJERO | 01 | 01 |
| 43 | 0541010568 | CALZO CHUMACHERA | 04 | 04 |
| 44 | 0501010942 | TORNILLO 3/8" UNC X 1.1/4" | 08 | 08 |
| 45 | 0503011953 | TORNILLO 5/16 UNC X 1 | 05 | 05 |
| 46 | 0501010694 | ARANDELA PLANA | 09 | 09 |
| 47 | 0503010179 | ARANDELA PRESION | 09 | 09 |
| 48 | 0503010337 | TUERCA 5/16 | 09 | 09 |
| 49 | 0541010650 | EJE MOTOR ABONO SEMILLA | 02 | |
| 50 | 0541011161 | EJE MOTOR ABONO/FERTILIZER | | 02 |
| 51 | 0511060396 | CONO EJE MOV/MOTOR ABONO | 04 | 04 |
| 52 | 0503012389 | ESFERA 1/2 | 04 | 04 |
| 53 | 0503010395 | TORNILLO 1/2" UNC X 1.1/4" | 04 | 04 |
| 54 | 0503030303 | ARANDELA APOYO | 04 | 04 |
| 55 | 0503010292 | PASADOR TENSION 701164 6 X 40 | 06 | 06 |
| 56 | 0501054966 | ENGRAN 14Z X PASO 1.1/4" | 02 | 02 |
| 56A | 0502011334 | ENGRANAJE 14Z P 31,75 AR35,20 | 01 | 01 |
| 56B | 0502012232 | CHUMACERA AGRIC. EJE 3/4" | 01 | 01 |
| 56C | 0503010846 | PASADOR TENSION 701179 8 X 14 | 01 | 01 |
| 57 | 0501053788 | TORNILLO EJE A 3/4" COMPL | 04 | 04 |
| 57A | 0521010691 | PERNO EIXO | 01 | 01 |
| 57B | 0503010373 | TORNILLO 1/4" UNC X 2" | 01 | 01 |
| 57C | 0503010143 | ARANDELA PRESION | 01 | 01 |
| 57D | 0503010144 | TUERCA 1/4" UNC | 01 | 01 |
| 58 | 0502010671 | CHUMACERA CENTRAL | 01 | 01 |
| 59 | 0501052560 | SINALIZACION EJE MOTOR CPMP | 01 | 01 |
| 59A | 0503031825 | SINALIZACION EJE MOTOR | 02 | 02 |
| 59B | 0503010240 | TORNILLO 5/16" UNC X 3/4" | 02 | 02 |
| 60 | 0503012772 | CADEN 40-1 X 80 ESLABON + REDUCCIÓN | 02 | 02 |
| 61 | 0501052236 | ESTIRADOR CADENA DERECHA MAYOR | 01 | 01 |
| 61A | 0511060392 | ESTIRADOR CADENA MAYOR | 01 | 01 |
| 61B | 0503031366 | RESORTE TORSION DER | 01 | 01 |
| 61C | 0503031805 | ENGRANAJE 11Z P 1/2 | 02 | 02 |
| 61D | 0503010302 | ANILLO RETENCION EJE 501019 | 02 | 02 |
| 62 | 0502011758 | PALANCA ESTIRADOR TRASERO | 02 | 02 |
| 63 | 0501048790 | EJE COMPLETO CON ARGOLLA | 02 | 02 |
| 63A | 0521012476 | EJE LA PALANCA DEL CAMBIO | 01 | 01 |
| 63B | 0503031369 | ARGOLA 40 X 2,5 | 01 | 01 |
| 64 | 0503012718 | CADENA 40-1 X 111 ESLABON + ENMIENDA | 01 | 01 |
| 65 | 0501052237 | ESTIRADOR CADENA IZQ. MAYOR COMPLETO | 01 | 01 |
| 65A | 0511060392 | ESTIRADOR CADENA MAYOR | 01 | 01 |
| 65B | 0503031367 | RESORTE | 01 | 01 |
| 66 | 0501054934 | ESTIRADOR CHAIN SEMILLA COMPLETO | 01 | 01 |
| 66A | 0503012110 | TORNILLO 1/2" UNC X 3.3/4" | 01 | 01 |
| 66B | 0541010752 | EJE SOPORTE ESTIRADOR CHAIN SEMILLA | 01 | 01 |
| 66C | 0511062169 | ENGRANAJE 21Z P 1/2" | 01 | 01 |
| 66D | 0503011405 | RODAMIENTO 6005 Z | 01 | 01 |
| 66E | 0503011105 | ANILLO RETENCION AGUJERO | 01 | 01 |
| 66F | 0503010406 | ANILLO TENSOR 501025 (PARA EJE) | 01 | 01 |
| 66G | 0511065088 | ESTIRADOR CHAIN SEMILLA | 01 | 01 |
| 66H | 0511017302 | ARANDELA PLANA 13.5 X 32.5 X 3.00 | 01 | 01 |
| 67 | 0541010566 | PLATAFORMA 2160 PHT3 PLUS 5/5 | 01 | |

| Artículo | Código | Descripción | 5/5 | 5/7 |
|----------|------------|-------------------------------------|-----|-----|
| 68 | 0541010691 | PLATAFORMA PHT3 PLUS 7/7 | | 01 |
| 69 | 0501011643 | TORNILLO 3/8" UNC X 1" | 04 | 04 |
| 70 | 0511065035 | PASAMANOS PHT3 PLUS 5/5 | | 01 |
| 71 | 0511065068 | PASAMANOS PHT3 PLUS 7/7 | | 01 |
| 72 | 0501011600 | TORNILLO 1/2" BSW X 1.1/4" | 04 | 04 |
| 73 | 0503010020 | TUERCA 1/2 | 04 | 04 |
| 74 | 0501065337 | DESCANSO PHT | 02 | 02 |
| 75 | 0521010809 | EJE UNION 11,11 X 64 | 02 | 02 |
| 76 | 0503030168 | PASADOR ABIERTO 3 X 50 | 02 | 02 |
| 77 | 0521010530 | EJE UNION | 02 | 02 |
| 78 | 0541010591 | MARCADOR NIVELADO | 01 | 01 |
| 79 | 0541010592 | ARANDELA PLANA | 01 | 01 |
| 80 | 0501053608 | CHUMACERA C/ENGR 20Z EJE HEX 5/8" | 01 | 01 |
| 80A | 0501053609 | CHUMACERA DUPLO TRANSM SEMILLA 5/8 | 01 | 01 |
| 80Aa | 0502011987 | CAJA DEL CHUMACERA DUPLO | 01 | 01 |
| 80B | 0511063106 | EJE CHUMACERA DOBLE 20Z | 01 | 01 |
| 80C | 0503010365 | TORNILLO | 02 | 02 |
| 81 | 0502040725 | BUJE TRABA GUIA RESORTE | 01 | 01 |
| 82 | 0503010834 | TORNILLO 1/2 UNC X 1 | 01 | 01 |
| 83 | 0521013432 | EJE HEX 5/8" X 1500 | 01 | 01 |
| 84 | 0503010300 | PASADOR ABIERTO 5/32" X 1" | 02 | 02 |
| 85 | 0541013034 | FIJADOR RESORTE | 01 | 01 |
| 86 | 0503030242 | RESORTE TRACCION 20 X 120 X 2 | 01 | 01 |
| 87 | 0503010004 | GRASERA 1890 3/8" | 01 | 01 |
| 88 | 0541010852 | CAPA PROTECCIÓN CADERA DERECHA | | 01 |
| 89 | 0541010853 | CAPA PROTECCIÓN CADERA IZQUIERDA | | 01 |
| 90 | 0541010787 | CAPA PROTECCIÓN CADERA DERECHA | | 01 |
| 91 | 0541010788 | CAPA PROTECCIÓN CADERA IZQUIERDA | | 01 |
| 92 | 0503011750 | ENMIENDA CON TRABA | 01 | 01 |
| 93 | 0503011751 | ESLABON | 01 | 01 |
| 94 | 0503031512 | RESORTE COMPRESION 10,50X1,50XP3,50 | 04 | 04 |



| Artículo | Código | Descripción | QT |
|----------|------------|---------------------------------|----|
| 01 | 0511065051 | CAMISA | 01 |
| 02 | 0511063046 | EXTENSOR 38,10 X 502 | 01 |
| 03 | 0502010471 | TAPA MOVIL 63,50 | 01 |
| 04 | 0502010780 | SOPORTE ANILLOS 38,1 X 63, | 01 |
| 05 | 0503010163 | ANILLO RASPADOR D-1500 | 01 |
| 06 | 0503010989 | ANILLO 1870-1500-375-B | 01 |
| 07 | 0503010970 | ANILLO GUIA INTERNO W1-1650-500 | 01 |
| 08 | 0503011058 | ANILLO BACK-UP 8-330 | 01 |
| 09 | 0503010161 | ANILLO O-RING 2-330 N 3006 9B | 01 |
| 10 | 0503010285 | ANILLO O-RING 2-222 N 3006-9B | 01 |
| 11 | 0502010783 | EMBOLO 38 X 63,50 | 01 |
| 12 | 0503010160 | ANILLO 2500 2000 | 02 |
| 13 | 0503010973 | ANILLO GUIA EXTERNO W2-2500-500 | 01 |
| 14 | 0503010063 | TUERCA 1" UNF | 01 |
| 15 | 0501032666 | JUEGO REPARO COMPL 38,10X63,50 | |



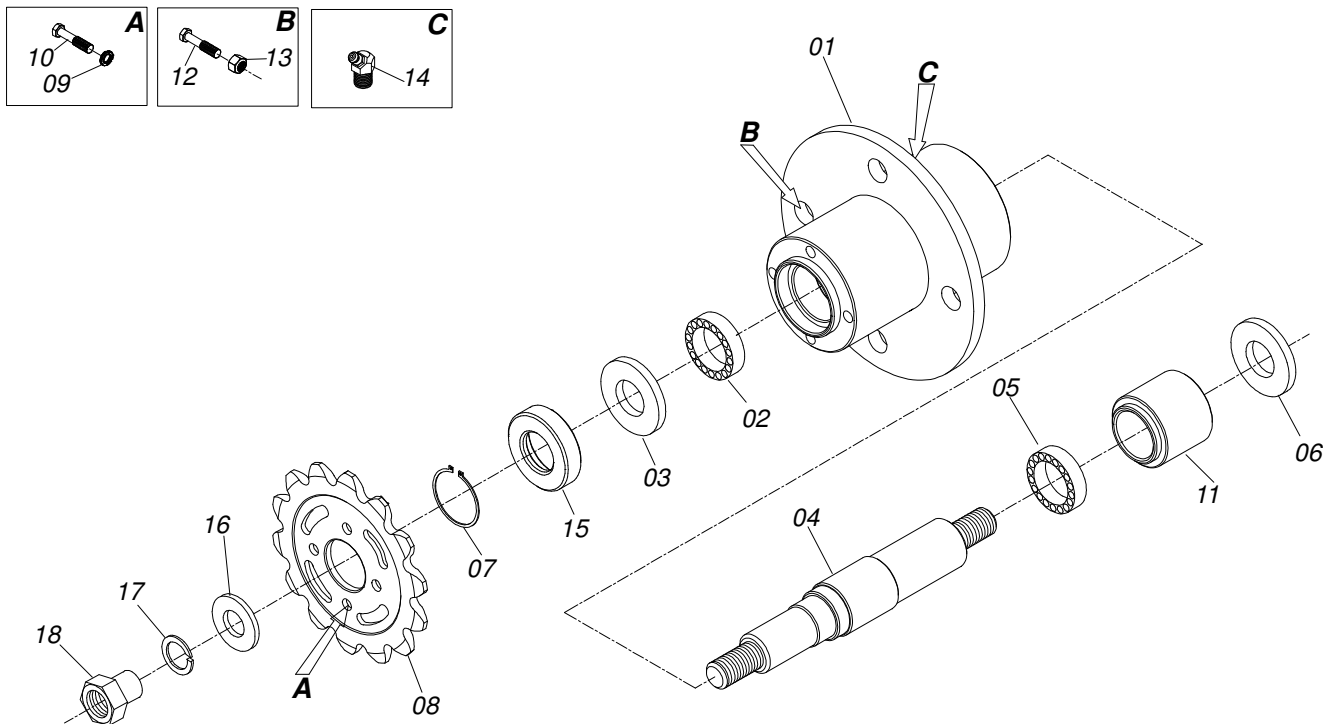
| Artículo | Código | Descripción | QT |
|----------|------------|-------------------------------------|----|
| 01 | 0501054921 | SOPORTE FIJADOR HORQUILLA RODADO | 02 |
| 01A | 0511065057 | SOPORTE HORQUILLA RODADO | 01 |
| 01B | 0521016734 | BUJE 42,3 X 62 X 60 | 01 |
| 01C | 0503010881 | ANILLO TENSOR 501042 (PARA EJE) | 01 |
| 01D | 0503010002 | GRASERA 1800 | 06 |
| 02 | 0511062685 | FIJADOR SOPORTE BRAZO RODADO | 02 |
| 03 | 0503010233 | TORNILLO 5/8 UNC X 2.1/2 | 12 |
| 04 | 0503010027 | ARANDELA PRESION | 16 |
| 05 | 0503012412 | TUERCA DE CIERRE 5/8 UNC S | 16 |
| 06 | 0511065042 | HORQUILLA RODADO | 02 |
| 07 | 0501110390 | FLANGE FIJADOR SOPORTE RODADO | 02 |
| 07A | 0511065062 | BRIDA FIJADOR SOPORTE RODADO | 01 |
| 07B | 0503011410 | RODAMIENTO 6005 2RS | 03 |
| 07C | 0503011105 | ANILLO RETENCION AGUJERO | 02 |
| 08 | 0501010100 | TORNILLO 5/8 UNC X 2 C S G.5 | 04 |
| 09 | 0501052585 | RODADO S/NEUMATICO | 02 |
| 10 | 0503060105 | RUEDA CON NEUMATICO | 02 |
| 10A | 0503011010 | NEUMATICO 7.50X 16 -10LONAS | 01 |
| 10B | 0503010791 | CAMARA AIRE F 15 | 01 |
| 10C | 0503010789 | RUEDA 4,5J X 15H2 X 4FX16,5 X 152,4 | 01 |
| 11 | 0501054910 | ESTABILIZADOR RODADO COMPLETO | 02 |
| 11A | 0511065124 | ESTABILIZADOR RODADO | 01 |
| 11B | 0511065054 | PINO DERECHO | 01 |
| 11C | 0511065055 | PINO IZQUIERDO | 01 |
| 11D | 0541010087 | CONTRA TUERCA | 01 |
| 11E | 0503010691 | GRASERA 1/4" NF | 02 |
| 12 | 0521010580 | EJE UNION | 02 |
| 13 | 0503010571 | PASADOR ABIERTO 1/4" X 1.1/2" | 04 |
| 14 | 0521010588 | EJE UNION 25 X 180 C A | 02 |
| 15 | 0501011445 | ARANDELA PLANA | 02 |
| 16 | 0503031687 | RESORTE COMPRESION 59 X 140 X 9,53 | 02 |
| 17 | 0531012770 | GUIA RESORTE RODADO | 02 |
| 18 | 0511016156 | TORNILLO 5/8" UNC X 1.1/2" | 02 |



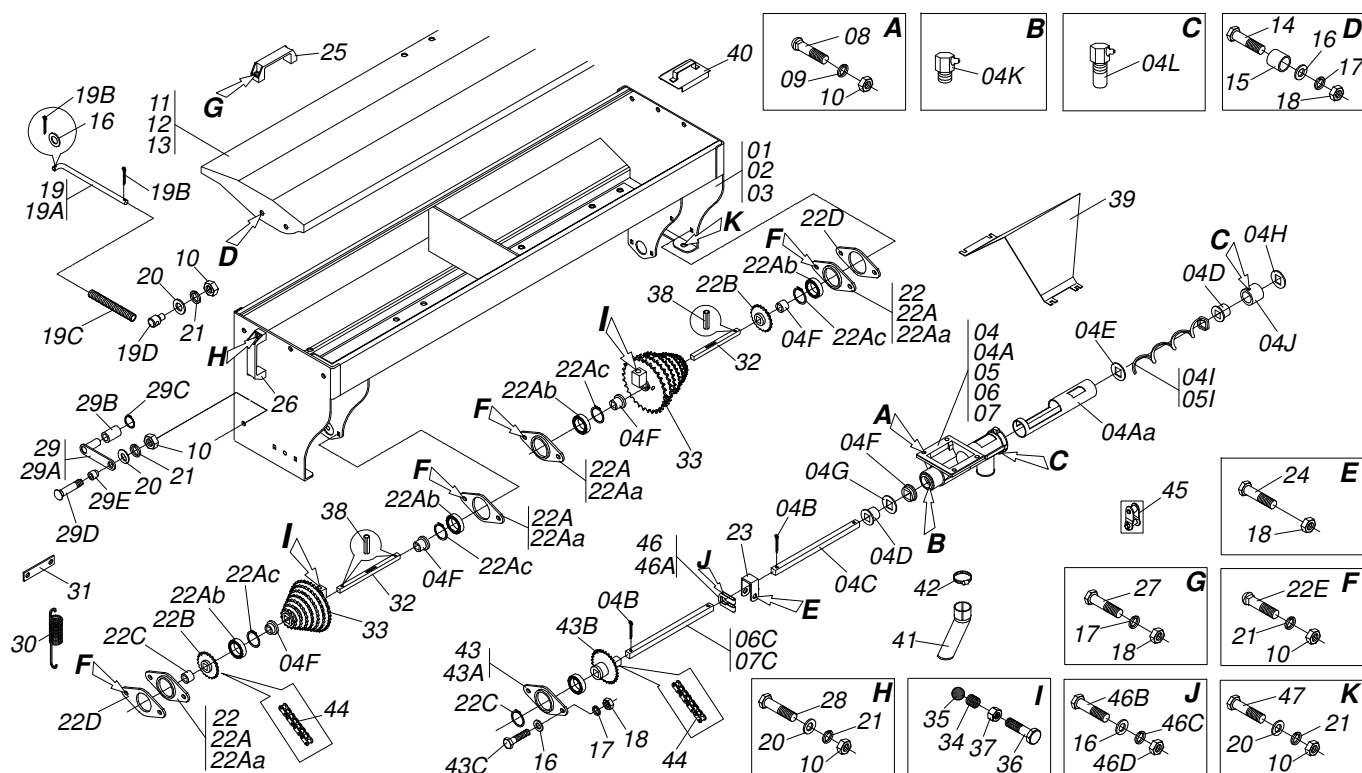
PHT3 PLUS
RODADO COMPLETO

Página 5
0909091050

| Artículo | Código | Descripción | QT |
|----------|------------|-------------------------------------|----|
| 19 | 0503010013 | TUERCA 5/8 | 02 |
| 20 | 0503012797 | CADENA 2050 X 57 ESLABON + ENMIENDA | 02 |
| 21 | 0501052634 | ESTIRADOR CADENA RODADO COMPLETO | 02 |
| 21A | 0511061287 | ESTIRADOR CADENA RODADO | 01 |
| 21B | 0521013735 | ROLDANA ACTIVA 13/15 S-0199 | 01 |
| 21C | 0503010302 | ANILLO RETENCION EJE 501019 | 01 |
| 21D | 0503010920 | TORNILLO 1/2 UNC X 1.1/2 | 01 |
| 21E | 0511017302 | ARANDELA PLANA 13.5 X 32.5 X 3.00 | 01 |
| 21F | 0503010019 | ARANDELA PRESION 1/2" | 01 |
| 21G | 0503011336 | TUERCA 1/2" UNC S | 01 |
| 21H | 0503030242 | RESORTE TRACCION 20 X 120 X 2 | 01 |
| 21I | 0503010004 | GRASERA 1890 3/8" | 01 |
| 22 | 0503010780 | ENMIENDA N-2050 | 02 |

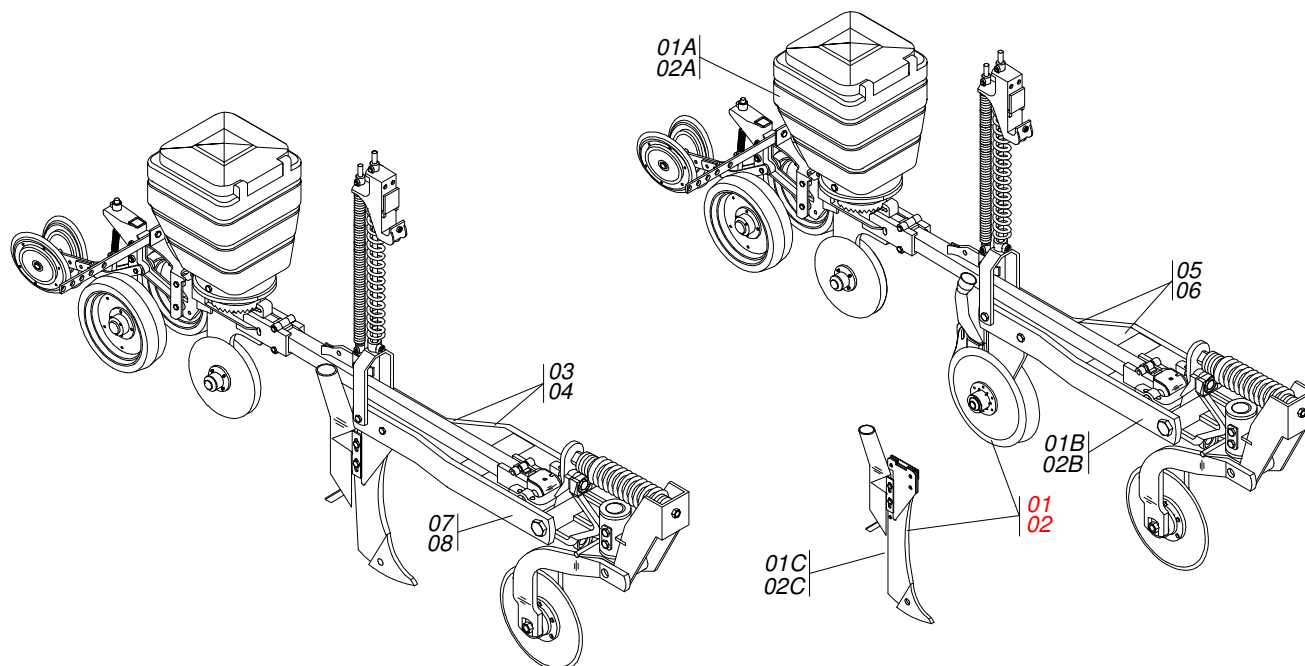


| Artículo | Código | Descripción | QT |
|----------|------------|---------------------------------|----|
| 01 | 0511061508 | CAJA RODADO | 01 |
| 02 | 0503010276 | RODAMIENTO 6206 | 01 |
| 03 | 0503010268 | RETENES 00262-B | 01 |
| 04 | 0521016792 | EJE RODADO | 01 |
| 05 | 0503010312 | RODAMIENTO 6207 | 01 |
| 06 | 0503010528 | RETENES 00838-B | 01 |
| 07 | 0503010370 | ANILLO TENSOR 502072 (PARA EJE) | 01 |
| 08 | 0521016735 | ENGRAN 14Z X PASO 31.75 | 01 |
| 09 | 0503010025 | ARANDELA PRESION 3/8 | 04 |
| 10 | 0503010256 | TORNILLO 3/8" UNC X 3/4" | 04 |
| 11 | 0521016791 | BUJE 35,08 X 52,98 X 49 | 01 |
| 12 | 0503011063 | TORNILLO 9/16" UNC X 1.1/2" | 04 |
| 13 | 0503010035 | TUERCA CONICA 9/16 | 04 |
| 14 | 0503010003 | GRASERA 1845 3/8 | 01 |
| 15 | 0521017566 | BUJE 19,5 X 38,1 X 10 | 01 |
| 16 | 0511015346 | ARANDELA PLANA | 02 |
| 17 | 0503011438 | ARANDELA PRESION | 02 |
| 18 | 0521013510 | TUERCA 3/4 | 02 |

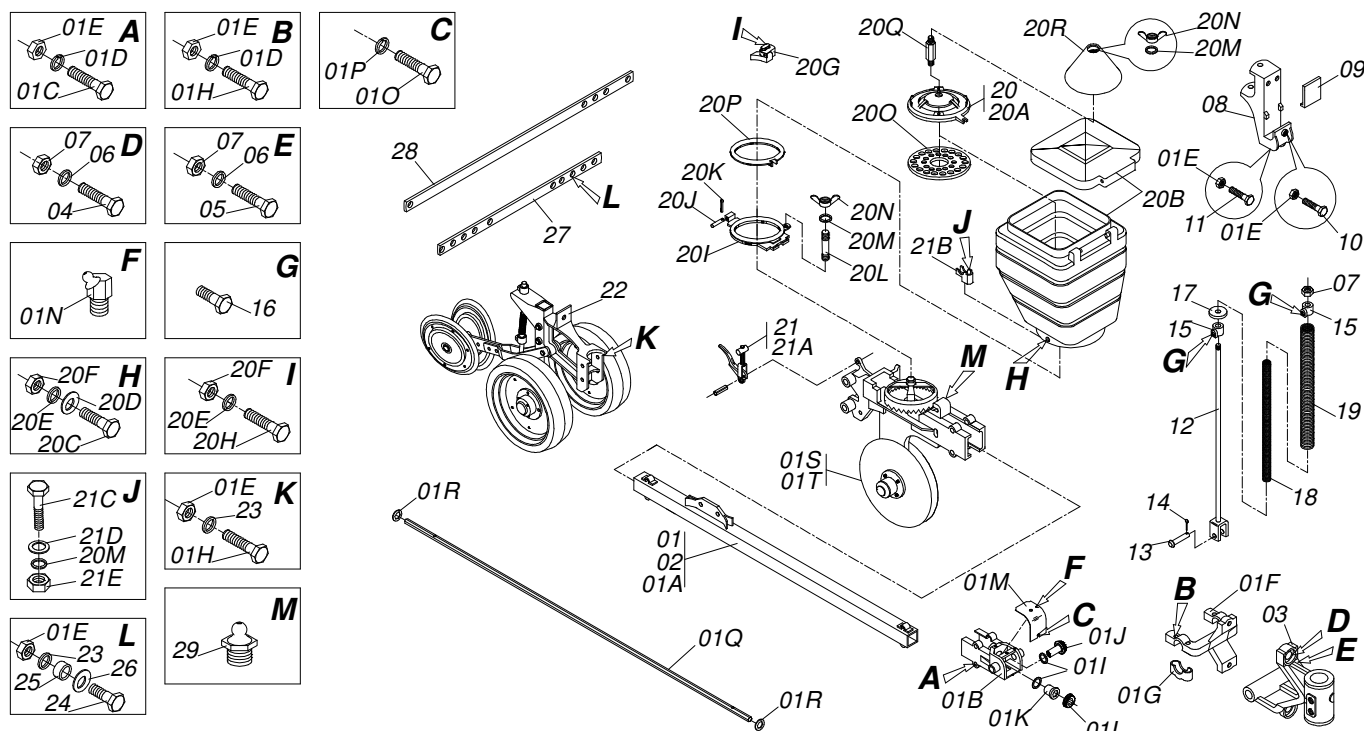


| Artículo | Código | Descripción | 3/3 5/5 7/7 |
|----------|------------|-----------------------------------|-------------|
| 00 | 0511042205 | CAJA ABONO COMPLETA PHT3 PLUS 3/3 | 01 |
| 00A | 0511042194 | CAJA ABONO COMPLETA PHT3 PLUS 5/5 | 01 |
| 00B | 0511042206 | CAJA ABONO COMPLETA PHT3 PLUS 7/7 | 02 |
| 01 | 0511065070 | CAJA ABONO PHT3 PLUS 3/3 | 01 |
| 02 | 0511065046 | CAJA ABONO PHT3 PLUS 5/5 | 01 |
| 03 | 0511065071 | CAJA ABONO PHT3 PLUS 7/7 | 01 |
| 04 | 0501050272 | DISTRIBUIDOR FERTILIZANTE DERECHO | 02 03 03 |
| 04A | 0501110120 | CUERPO DISTR. ABONO | 02 03 03 |
| 04Aa | 0511013789 | TUBO DISTRIBUIDOR ABONO | 02 03 03 |
| 04B | 0503013155 | PASADOR ABIERTO 1/4" X 1.1/4" | 04 06 06 |
| 04C | 0501017391 | EJE CUADRADO 3/4" X 364 | 02 03 03 |
| 04D | 0503030275 | CHUMACERA AGRICOLA | 04 06 06 |
| 04E | 0501013774 | RETENES GRASA | 02 03 03 |
| 04F | 0503030303 | ARANDELA APOYO | 02 03 03 |
| 04G | 0501010637 | ARANDELA PLANA | 02 03 03 |
| 04H | 0511017137 | ARANDELA PLANA | 02 03 03 |
| 04I | 0503031164 | CONDUCTOR HELICOIDAL DERECHO | 02 03 03 |
| 04J | 0521010309 | BUJE INT | 02 03 03 |
| 04K | 0503012826 | GRASERA | 02 03 03 |
| 04L | 0503011962 | GRASERA | 02 03 03 |
| 05 | 0501050273 | DISTRIBUIDOR ABONO IZQUIERDO | 01 01 01 |
| 05I | 0503031165 | CONDUCTOR HELICOIDAL IZQUIERDO | 01 01 01 |
| 06 | 0501053276 | DISTRIBUIDOR ABONO DERECHO 555 | 01 01 |
| 06A | 0501110082 | CUERPO DISTR. ABONO | 01 01 |
| 06C | 0531010243 | EJE CUADRADO 3/4" X 555 | 01 01 |
| 07 | 0501054927 | DISTRIBUIDOR ABONO DERECHO 448 | 02 |
| 07C | 0541010724 | EJE CUADRADO 3/4" X 448 | 02 |
| 08 | 0501011643 | TORNILLO 3/8" UNC X 1" | 12 20 28 |
| 09 | 0503011443 | ARANDELA PRESION | 12 20 28 |
| 10 | 0503010026 | TUERCA 3/8 | 27 37 45 |
| 11 | 0511065072 | TAPA CAJA ABONO PHT3 PLUS 3/3 | 01 |
| 12 | 0511065047 | TAPA CAJA ABONO PHT3 PLUS 5/5 | 01 |
| 13 | 0511065073 | TAPA CAJA ABONO PHT3 PLUS 7/7 | 02 |

| Artículo | Código | Descripción | 3/3 | 5/5 | 7/7 |
|----------|------------|--------------------------------------|-----|-----|-----|
| 14 | 0503010421 | TORNILLO 5/16 UNC X 1.1/2 | 02 | 02 | 04 |
| 15 | 0521011116 | BUJE ARTICULACION CAJA | 02 | 02 | 04 |
| 16 | 0501010694 | ARANDELA PLANA | 08 | 08 | 12 |
| 17 | 0503010179 | ARANDELA PRESION | 12 | 14 | 16 |
| 18 | 0503010337 | TUERCA 5/16 | 14 | 16 | 20 |
| 19 | 0501051927 | EJE ARTICULACION TAPA | 02 | 02 | 04 |
| 19A | 0521011120 | EJE ARTICULACION TAPA | 02 | 02 | 04 |
| 19B | 0503010140 | PASADOR ABIERTO 1/8" X 3/4" | 04 | 04 | 08 |
| 19C | 0503031329 | RESORTE COMPRESION | 02 | 02 | 04 |
| 19D | 0521011117 | EJE RESORTE ARTICULACION | 02 | 02 | 04 |
| 20 | 0501010984 | ARANDELA PLANA | 14 | 14 | 17 |
| 21 | 0503010025 | ARANDELA PRESION 3/8 | 13 | 13 | 15 |
| 22 | 0501054924 | CHUMACERA CAJA ABONO | 01 | 01 | 01 |
| 22A | 0501052759 | CHUMACERA LA CAJA CAMBIO COMP | 01 | 01 | 01 |
| 22Aa | 0502011697 | CHUMACERA LA CAJA CAMBIO | 01 | 01 | 01 |
| 22Ab | 0503011410 | RODAMIENTO 6005 2RS | 01 | 01 | 01 |
| 22Ac | 0503011105 | ANILLO RETENCION AGUJERO | 01 | 01 | 01 |
| 22B | 0511065052 | ENGRANAJE 20Z MOVIDA | 01 | 01 | 01 |
| 22C | 0503010406 | ANILLO TENSOR 501025 (PARA EJE) | 01 | 01 | 01 |
| 22D | 0541010568 | CALZO CHUMACHERA | 02 | 02 | 02 |
| 22E | 0501011787 | TORNILLO 3/8" UNC X 1.1/2" | 02 | 02 | 02 |
| 23 | 0501017476 | U ARRSTRE | 02 | 04 | 06 |
| 24 | 0503010397 | TORNILLO 5/16" UNC X 1.3/4" | 02 | 04 | 06 |
| 25 | 0503011907 | ALCA NYLON PMC 594-S | 01 | 02 | 02 |
| 26 | 0503011957 | ALCA NYLON PMC 596-S | 02 | 02 | 02 |
| 27 | 0503010363 | TORNILLO 5/16 UNC X 1 | 06 | 08 | 08 |
| 28 | 0503010237 | TORNILLO 3/8 UNC X 1 | 04 | 04 | 04 |
| 29 | 0501054933 | ESTIRADOR CADENA ABONO COMPLETO | 01 | 01 | 01 |
| 29A | 0511065105 | ESTIRADOR CADENA ABONO | 01 | 01 | 01 |
| 29B | 0531012485 | BUJE 19,5 X 30 X 34 | 01 | 01 | 01 |
| 29C | 0503010302 | ANILLO RETENCION EJE 501019 | 01 | 01 | 01 |
| 29D | 0501011787 | TORNILLO 3/8" UNC X 1.1/2" | 01 | 01 | 01 |
| 29E | 0541010771 | EJE ARTIC ESTIRADOR CADENA AB | 01 | 01 | 01 |
| 30 | 0503030242 | RESORTE TRACCION 20 X 120 X 2 | 01 | 01 | 01 |
| 31 | 0541013034 | FIJADOR RESORTE | 01 | 01 | 01 |
| 32 | 0541010651 | EJE MOVIDO EM/ADB PHT3 PLUS | 02 | 02 | 02 |
| 33 | 0511060396 | CONO EJE MOV/MOTOR ABONO | 02 | 02 | 02 |
| 34 | 0503031512 | RESORTE COMPRESION 10,50X1,50XP3,50 | 02 | 02 | 02 |
| 35 | 0503012389 | ESFERA 1/2 | 02 | 02 | 02 |
| 36 | 0503010395 | TORNILLO 1/2" UNC X 1.1/4" | 02 | 02 | 02 |
| 37 | 0503010060 | TUERCA 1/2" UNC | 02 | 02 | 02 |
| 38 | 0503010292 | PASADOR TENSION 701164 6 X 40 | 04 | 04 | 04 |
| 39 | 0541010800 | DEFLECTOR | | 01 | |
| 40 | 0503031900 | TAPA SILO ABONO | 03 | 05 | 07 |
| 41 | 0503030150 | BOQUILLA CURVA | 03 | 05 | 07 |
| 42 | 0503010246 | ABRAZADERA | 03 | 05 | 07 |
| 43 | 0501053608 | CHUMACERA C/ENGR 20Z EJE HEX 5/8" | 01 | 01 | 01 |
| 43A | 0501053609 | CHUMACERA DUPLO TRANSM SEMILLA 5/8 | 01 | 01 | 01 |
| 43B | 0511063106 | EJE CHUMACERA DOBLE 20Z | 01 | 01 | 01 |
| 43C | 0503010365 | TORNILLO | 02 | 02 | 02 |
| 44 | 0503013195 | CADENA 40-1 X 42 ESLABON + REDUCCIÓN | 02 | 02 | 02 |
| 45 | 0503011751 | ESLABON | 01 | 01 | 01 |
| 46 | 0501053788 | TORNILLO EJE A 3/4" COMPL | | 01 | 03 |
| 46A | 0521010691 | PERNO EIXO | | 01 | 03 |
| 46B | 0503010373 | TORNILLO 1/4" UNC X 2" | | 01 | 03 |
| 46C | 0503010143 | ARANDELA PRESION | | 01 | 03 |
| 46D | 0503010144 | TUERCA 1/4" UNC | | 01 | 03 |
| 47 | 0503010751 | TORNILLO 3/8" UNC X 1.1/4" | 04 | 04 | 04 |

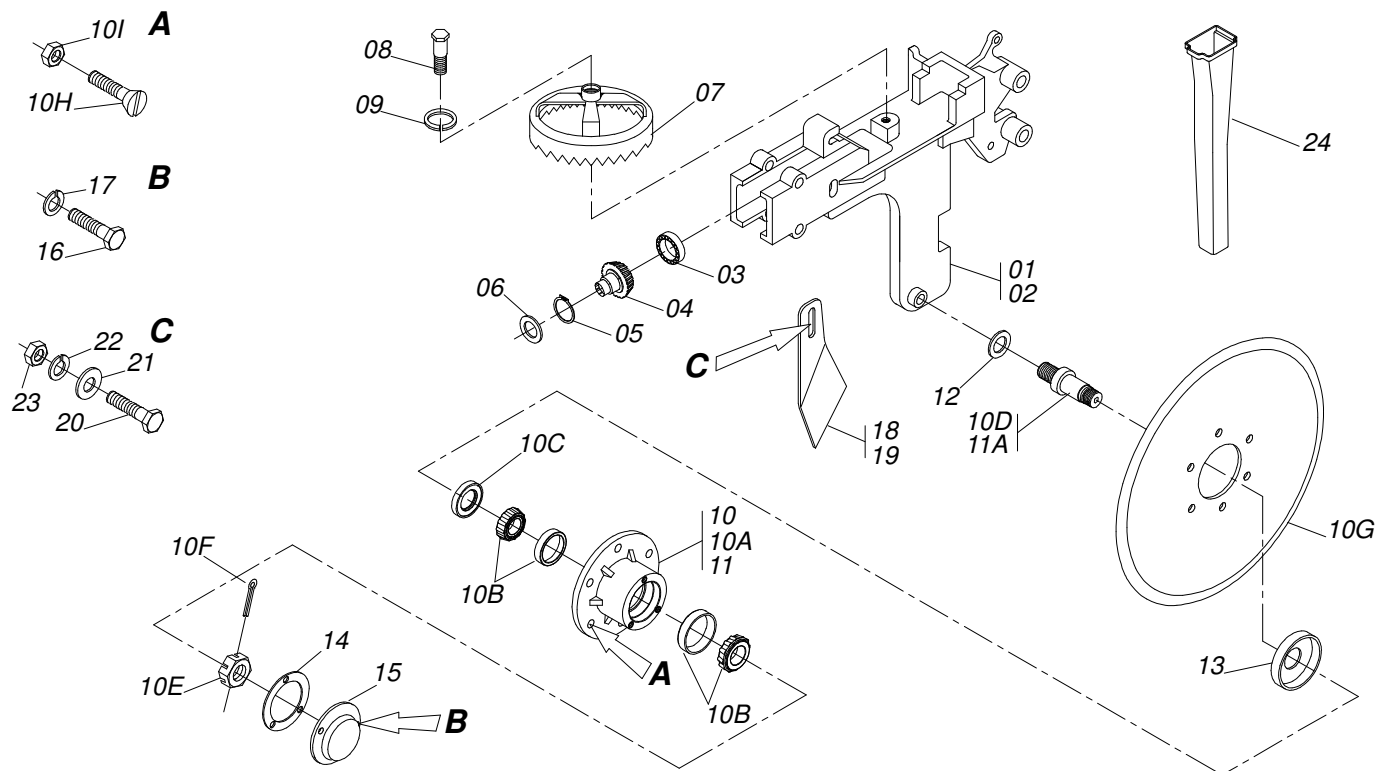


| Artículo | Código | Descripción | QT |
|----------|------------|------------------------------------|----|
| 01 | 0511042345 | LINEA SEMILLA/ABONO DER COMPLETA | 01 |
| 01A | 0511042347 | LINEA SEMILLA DER COMPLETA | 01 |
| 01B | 0501054913 | LINEA ABONO IZQUIERDA COMPLETA | 01 |
| 01C | 0501052768 | ASTA ESCARIFICADORA IZQ ABONO COMP | 01 |
| 02 | 0511042346 | LINEA SEMILLA/ABONO ESQ COMPLETA | 01 |
| 02A | 0511042348 | LINEA SEMILLA IZQ COMPLETA | 01 |
| 02B | 0501054912 | LINEA ABONO DER COMPLETA | 01 |
| 02C | 0501052767 | ASTA ESCARIFICADORA DER ABONO COMP | 01 |
| 03 | 0511043120 | LINEA SEMILLA/ABONO DER COMPLETA | 01 |
| 04 | 0511043121 | LINEA SEMILLA/ABONO IZQ COMPLETA | 01 |
| 05 | 0511043122 | LINEA SEM/ABONO DDD DER COMPLETA | 01 |
| 06 | 0511043123 | LINEA SEMILLA/ABONO IZQ DDD COMPL | 01 |
| 07 | 0511042227 | LINEA ABONO DER COMPLETA CON ASTA | 01 |
| 08 | 0511042228 | LINEA ABONO IZQ COMPLETA CON HASTA | 01 |



| Artículo | Código | Descripción | QT |
|----------|------------|--------------------------------|----|
| 00 | 0511042347 | LINEA SEMILLA DER COMPLETA | 00 |
| 00A | 0511042348 | LINEA SEMILLA IZQ COMPLETA | 00 |
| 01 | 0501054914 | BRAZO LINEA SEMILLA DER | 01 |
| 01A | 0511065045 | BRAZO LINEA SEMILLA | 01 |
| 01B | 0502011830 | SOPORTE ARTICULACION | 01 |
| 01C | 0503010752 | TORNILLO 1/2" UNC X 3.1/2" | 04 |
| 01D | 0503011440 | ARANDELA PRESION | 08 |
| 01E | 0503010060 | TUERCA 1/2" UNC | 13 |
| 01F | 0502011561 | SEMI CHUMACERA | 01 |
| 01G | 0502010426 | SEMI CHUMACERA SUP | 02 |
| 01H | 0503010479 | TORNILLO 1/2" UNC X 3" | 04 |
| 01I | 0501013354 | ARANDELA PLANA | 01 |
| 01J | 0502011400 | ENGRANAJE CONICA 18Z | 01 |
| 01K | 0502011296 | BUJE CHUMACERA P/EJE HEX 1/2 | 01 |
| 01L | 0502011505 | ENGRANAJE CONICA 18Z | 01 |
| 01M | 0521018079 | TAPA CABEZAL LINEA SEMILLA | 01 |
| 01N | 0503011099 | GRASERA 1845 | 01 |
| 01O | 0503010298 | TORNILLO 1/4" UNC X 1/2" | 02 |
| 01P | 0503011441 | ARANDELA PRESION | 02 |
| 01Q | 0521018588 | EJE HEX 1/2" X 820 | 01 |
| 01R | 0501013352 | ARANDELA PLANA | 03 |
| 01S | 0501055674 | DDD SEMILLA 15X15 DER COMPLETO | 01 |
| 01T | 0501055675 | DDD SEMILLA 15X15 IZQ COMPLETO | 01 |
| 02 | 0501054915 | BRAZO LINEA SEMILLA IZQUIERDA | 01 |
| 03 | 0502011567 | SOPORTE LINEA ABONO | 01 |
| 04 | 0503010762 | TORNILLO 5/8" UNC X 3.1/2" | 01 |
| 05 | 0501010163 | TORNILLO 5/8" UNC X 4.1/2" | 01 |
| 06 | 0503010027 | ARANDELA PRESION | 02 |
| 07 | 0503010013 | TUERCA 5/8 | 03 |
| 08 | 0502012129 | SOPORTE GUIA RESORTE | 01 |
| 09 | 0502010891 | CALZO SOPORT VARON RESORTE | 01 |
| 10 | 0503010395 | TORNILLO 1/2" UNC X 1.1/4" | 01 |
| 11 | 0503010920 | TORNILLO 1/2 UNC X 1.1/2 | 01 |

| Artículo | Código | Descripción | QT |
|----------|------------|-------------------------------------|----|
| 12 | 0511060376 | GUIDE RESORTE SEMILLA | 01 |
| 13 | 0521010542 | EJE UNION | 01 |
| 14 | 0503010257 | PASADOR ABIERTO 1/8" X 1" | 01 |
| 15 | 0502040534 | BUJE TRABA GUIA RESORTE | 02 |
| 16 | 0503010834 | TORNILLO 1/2 UNC X 1 | 02 |
| 17 | 0501013753 | ARANDELA PLANA | 01 |
| 18 | 0503031359 | RESORTE COMPRESION 25,5 X 400 X 3,8 | 01 |
| 19 | 0503031360 | RESORTE COMPRESION 42,7 X 400 X 7,5 | 01 |
| 20 | 0501053347 | SISTEMA SEMILLA COMPLETO | 01 |
| 20A | 0502020324 | SOPORTE CAJA SEMILLA | 01 |
| 20B | 0503031667 | CAJA SEMILLA AMARILLA/TAPA VERDE | 01 |
| 20C | 0503010240 | TORNILLO 5/16" UNC X 3/4" | 04 |
| 20D | 0501010694 | ARANDELA PLANA | 04 |
| 20E | 0503010179 | ARANDELA PRESION | 05 |
| 20F | 0503010337 | TUERCA 5/16 | 05 |
| 20G | 0501051094 | DISTRIB SEMILLA COMP POLEA DUPLA | 01 |
| 20H | 0503010675 | TORNILLO 5/16" UNC X 2.1/4" | 01 |
| 20I | 0502010408 | PISTA INFERIOR DEL DISCO SEMILLA | 01 |
| 20J | 0521010536 | EJE UNION 8,30 X 97 | 01 |
| 20K | 0503010140 | PASADOR ABIERTO 1/8" X 3/4" | 01 |
| 20L | 0503030083 | PERNO 3/8" NC X 3/8" NF X 42 | 01 |
| 20M | 0503010025 | ARANDELA PRESION 3/8 | 03 |
| 20N | 0503010209 | TUERCA MARIPOSA 3/8" UNC | 02 |
| 20O | 0502020564 | DISCO SOJA 100 AGUJEROS 7 X 5,5 | 01 |
| 20P | 0502020518 | DISCO MAIZ 28R 10 X15 X 4,5 | 01 |
| 20Q | 0502020519 | DISCO MAIZ 28F 13,5X 4,5 | 01 |
| 20R | 0502020565 | DISCO SOJA 90 AGUJEROS 9 X 5.5 | 01 |
| 20S | 0501013355 | ASIENTO DISCO 3,00 | 01 |
| 20T | 0511013590 | PERNOS HEX 3/8 UNC X 3/8 UNC X 105 | 01 |
| 20U | 0511013494 | DEFLECTOR | 01 |
| 21 | 0501054593 | CIERRE RAPIDO COMPLETO | 01 |
| 21A | 0501054710 | CONJUNTO CIERRE RAPIDO SEMI MONTADO | 01 |
| 21B | 0531018622 | SOPORTE SUPERIOR SALETA RAP | 01 |
| 21C | 0501010096 | TORNILLO 3/8 UNC X 2 | 01 |
| 21D | 0501010984 | ARANDELA PLANA | 01 |
| 21E | 0503010026 | TUERCA 3/8 | 01 |
| 22 | 0501054992 | SIST RUEDA PROF/ COMPACT COMPL. | 01 |
| 23 | 0503010019 | ARANDELA PRESION 1/2" | 03 |
| 24 | 0503010740 | TORNILLO 1/2 UNC X 2 | 01 |
| 25 | 0521010505 | BUJE 13,50 X 19,00 X 21,50 | 01 |
| 26 | 0511017302 | ARANDELA PLANA 13.5 X 32.5 X 3.00 | 01 |
| 27 | 0501013714 | BARRA ESTABILIZADORA | 01 |
| 28 | 0501018652 | BARRA ESTABILIZADORA MAIZ | 01 |
| 29 | 0503010002 | GRASERA 1800 | 01 |



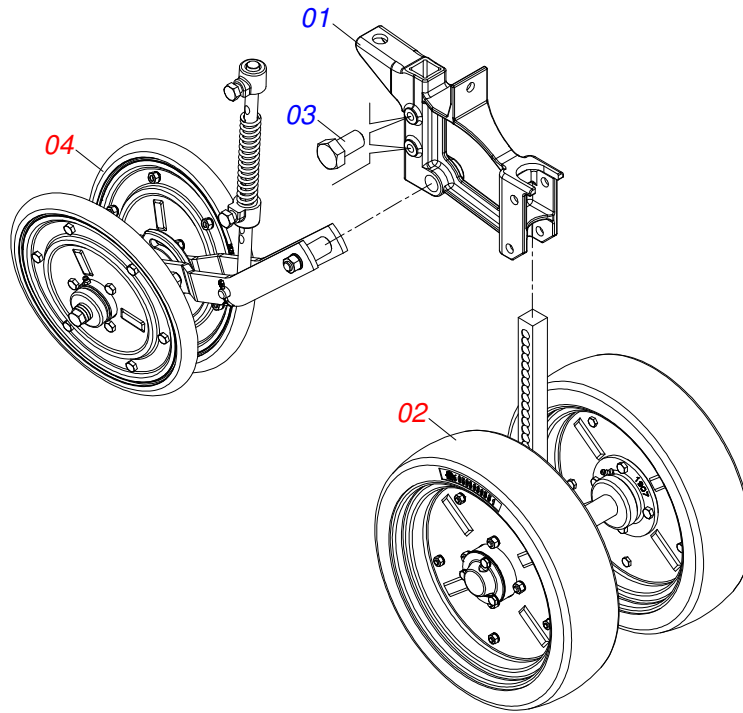
| Artículo | Código | Descripción | QT |
|----------|------------|---|----|
| 00 | 0501055674 | DDD SEMILLA 15X15 DER COMPLETO | 01 |
| 00A | 0501055675 | DDD SEMILLA 15X15 IZQ COMPLETO | 01 |
| 01 | 0502012071 | SOPORT DDD 15 X 15 SEMILLA DER | 01 |
| 02 | 0502012072 | SOPORT DDD 15 X 15 SEMILLA IZQ | 01 |
| 03 | 0503011410 | RODAMIENTO 6005 2RS | 02 |
| 04 | 0502012225 | ENGRANAJE CONICA 10Z | 01 |
| 05 | 0503010406 | ANILLO TENSOR 501025 (PARA EJE) | 01 |
| 06 | 0501013354 | ARANDELA PLANA | 01 |
| 07 | 0501110383 | ENGRANAJE CONICA 40Z | 01 |
| 08 | 0503011172 | TORNILLO 1/2" UNC X 2.1/2" | 01 |
| 09 | 0503010019 | ARANDELA PRESION 1/2" | 01 |
| 10 | 0501054167 | CAJA DISCO DOBLE DESENCONTRADO DER | 01 |
| 10A | 0502011930 | CAJA DEL DISCO DOBLE DESENCONTRADO | 01 |
| 10B | 0503010598 | RODAMIENTO 30204 | 02 |
| 10C | 0503011112 | RETEN 02376-BRG | 01 |
| 10D | 0521019154 | EJE DER DEL CUBO DEL DDD | 01 |
| 10E | 0503030282 | TUERCA CASTILLO 3/4" UNF X 12 | 01 |
| 10F | 0503010257 | PASADOR ABIERTO 1/8" X 1" | 01 |
| 10G | 0603022042 | DISCO PLANO LISO | 01 |
| 10H | 0503010546 | TORNILLO 5/16 UNC X 7/8 | 06 |
| 10I | 0503010337 | TUERCA 5/16 | 06 |
| 11 | 0501054168 | CAJA DISCO DOBLE DESENCONTRADO IZQ COPL | 01 |
| 11A | 0521019148 | EJE IZQ DEL CUBO DEL DDD | 01 |
| 12 | 0511015098 | ARANDELA PLANA | 02 |
| 13 | 0511011927 | GUARDAPOLVO 58,50 X 19,20 X 7,50 | 02 |
| 14 | 0503030757 | EMPAQUETA DURA 71,50 X 50 X 0,50 | 02 |
| 15 | 0521019178 | TAPA PROFUNDIDADE | 02 |
| 16 | 0503010298 | TORNILLO 1/4" UNC X 1/2" | 06 |
| 17 | 0503010143 | ARANDELA PRESION | 06 |
| 18 | 0501017542 | LIMPIADOR DISCO DOBLO IZQ | 01 |
| 19 | 0501017541 | LIMPIADOR DISCO DOBLO DER | 01 |
| 20 | 0503010751 | TORNILLO 3/8" UNC X 1.1/4" | 01 |
| 21 | 0501010984 | ARANDELA PLANA | 02 |



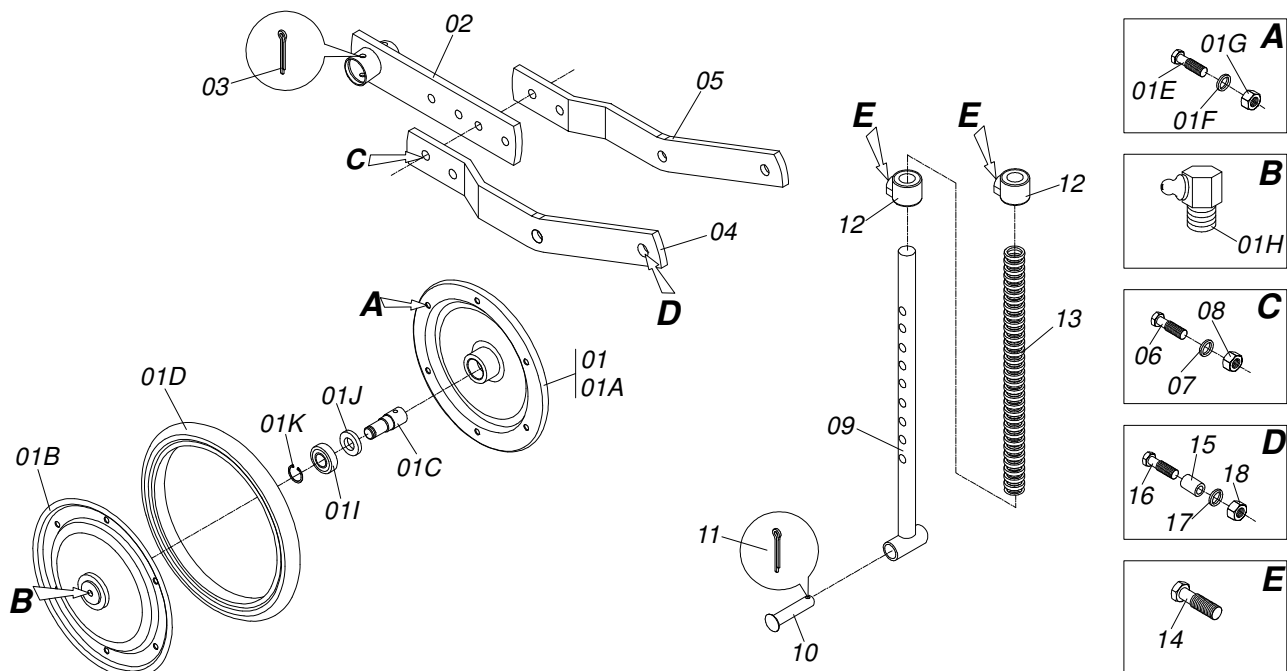
PHT3 PLUS
DDD SEMILLA 15 X 15 COMPLETO

Página 10
0909091089

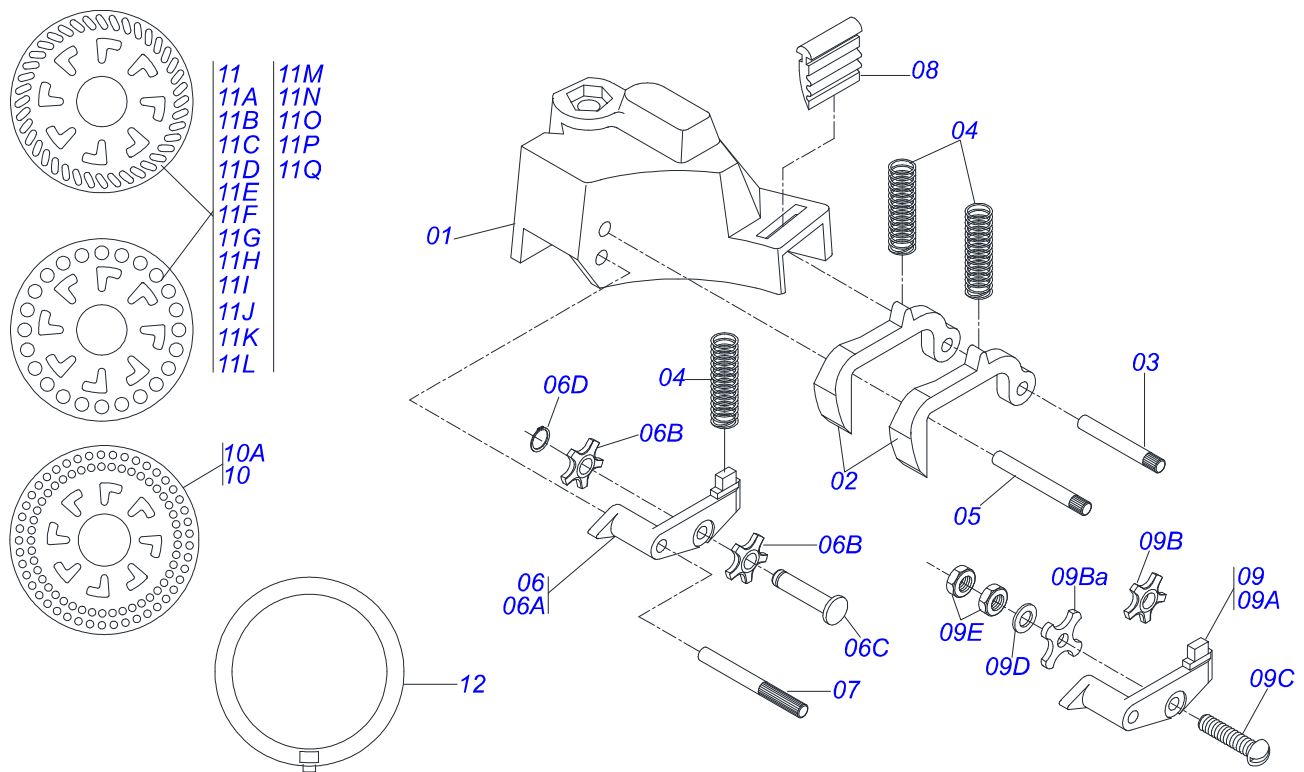
| Artículo | Código | Descripción | QT |
|-----------------|---------------|----------------------|-----------|
| 22 | 0503010025 | ARANDELA PRESION 3/8 | 01 |
| 23 | 0503010026 | TUERCA 3/8 | 01 |
| 24 | 0503030482 | BOQUILLA SEMILLA | 01 |



| Artículo | Código | Descripción | QT |
|----------|------------|--------------------------|----|
| 01 | 0502012236 | SOPORTE RUEDA PROFUND | 01 |
| 02 | 0501043613 | RUEDA PROFUND | 01 |
| 03 | 0501018535 | TORNILLO 1/2 UNC X 1 | 02 |
| 04 | 0501059329 | RUEDA CAMPACTADORA COMPL | 01 |



| Artículo | Código | Descripción | QT |
|----------|------------|-----------------------------------|----|
| 00 | 0501050927 | RUEDA COMPACTADORA COMPL | 01 |
| 01 | 0501050882 | RUEDA COMPACTADORA COMPL | 02 |
| 01A | 0501068827 | SEMI ARO INT R COMPACTADORA | 02 |
| 01B | 0501068828 | SEMI ARO EXT R COMPACTADORA | 02 |
| 01C | 0511017891 | EJE RUEDA COMPACTADORA V | 02 |
| 01D | 0503031421 | BANDA COMPACTADORA | 02 |
| 01E | 0503010295 | TORNILLO 5/16 UNC X 5/8 | 12 |
| 01F | 0503010179 | ARANDELA PRESION | 12 |
| 01G | 0503010337 | TUERCA 5/16 | 12 |
| 01H | 0503010004 | GRASERA 1890 3/8" | 02 |
| 01I | 0503011763 | RODAMIENTO 6203 | 04 |
| 01J | 0503010272 | RETENES 00715-BA | 02 |
| 01K | 0503011166 | ANILLO TENSOR 501017 (PARA EJE) | 02 |
| 02 | 0501064232 | FIJADOR RUEDA COMPACTADORA COMPL | 01 |
| 03 | 0503010571 | PASADOR ABIERTO 1/4" X 1.1/2" | 02 |
| 04 | 0501013798 | BRAZO IZQUIERDO | 01 |
| 05 | 0501013799 | BRAZO DERECHO | 01 |
| 06 | 0503010849 | TORNILLO 3/8 UNC X 1.1/2 | 02 |
| 07 | 0503010025 | ARANDELA PRESION 3/8 | 02 |
| 08 | 0503010026 | TUERCA 3/8 | 02 |
| 09 | 0501069979 | REGULACION RESORTE | 01 |
| 10 | 0521013310 | EJE UNION 12,70 X 76 | 01 |
| 11 | 0503010300 | PASADOR ABIERTO 5/32" X 1" | 01 |
| 12 | 0502040725 | BUJE TRABA GUIA RESORTE | 02 |
| 13 | 0503030399 | RESORTE COMPRESIÓN 25.5 X 130 X 4 | 01 |
| 14 | 0501018535 | TORNILLO 1/2 UNC X 1 | 02 |
| 15 | 0521010512 | BUJE INT 13.5 X 19 X 42 | 01 |
| 16 | 0503010479 | TORNILLO 1/2" UNC X 3" | 01 |
| 17 | 0503010019 | ARANDELA PRESION 1/2" | 01 |
| 18 | 0503011336 | TUERCA 1/2" UNC S | 01 |



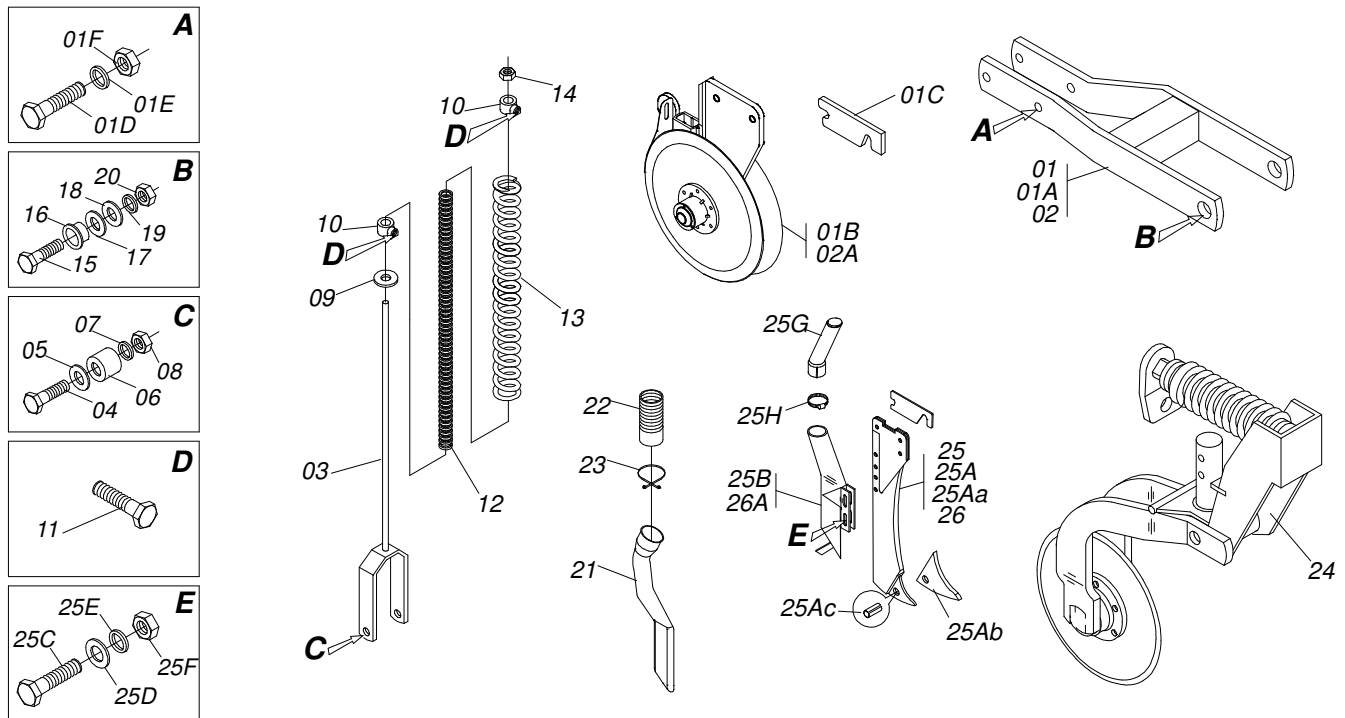
| Artículo | Código | Descripción | QT |
|----------|------------|-------------------------------------|----|
| 00 | 0501051094 | DISTRIB SEMILLA COMP POLEA DUPLA | 01 |
| 00A | 0501050077 | DISTRIB SEMILLA COMP POLEA SIMPLE | 01 |
| 01 | 0503030381 | CAJA DEL DISTRIBUIDOR SEMILLA | 01 |
| 02 | 0502010447 | GATILLO | 02 |
| 03 | 0501013467 | EJE TECLA | 01 |
| 04 | 0503030378 | RESORTE COMPRESION 9,2 X 28 X 0,7 | 03 |
| 05 | 0501013466 | EJE LIMITADOR LA TECLA | 01 |
| 06 | 0501051119 | BALANCIN ROLDANA DUPLA COMPL | 01 |
| 06A | 0503031129 | BALANCIN ROLDANA DUPLA | 01 |
| 06B | 0503031128 | ROLDANA DUPLA 5Z SOJA PLASTICA | 02 |
| 06C | 0503031130 | CLAVIJA LA POLEA | 01 |
| 06D | 0503011853 | ANILLO TENSOR 501050 (PARA AGUJERO) | 01 |
| 07 | 0501013468 | EJE BALANCIN LA POLEA | 01 |
| 08 | 0503030377 | RASPADOR | 01 |
| 09 | 0501050120 | BALANCIN MAYOR COMPLETO | 01 |
| 09A | 0503030379 | BALANCIN ROLDANA COMPL | 01 |
| 09B | 0502060001 | ROLDANA 5Z MAIZ | 01 |
| 09Ba | 0503030558 | ROLDANA MAIZ 4Z | 01 |
| 09C | 0503010803 | TORNILLO 3/16" UNC X 3/4" | 01 |
| 09D | 0503010669 | ARANDELA PLANA | 01 |
| 09E | 0503010667 | TUERCA 3/16" UNC | 02 |
| 10 | 0502020584 | DISCO SEMILLA FRIJOL 64 AGUJ OBL | 01 |
| 10A | 0502020585 | DISCO SEMILLA ALGODÓN 64 AGUJ OBL | 01 |
| 11 | 0502020351 | DISCO SEMILLA MAÍZ 24 AGUJERO | 01 |
| 11A | 0502020366 | DISCO SEMILLA MAÍZ 24 AGUJERO | 01 |
| 11B | 0502020331 | DISCO SEMILLA FRIJOL 26 AGUJ OBL | 01 |
| 11C | 0502020408 | DISCO SEMILLA FRIJOL 38 AGUJ OBL | 01 |
| 11D | 0502020353 | DISCO SEM SORGO REMOLACHA 40 AGUJ | 01 |
| 11E | 0502020346 | DISCO SEMILLA ARROZ 40 OBLONGO | 01 |
| 11F | 0502020560 | DISCO SEMILLA GIRASOL 28 | 01 |
| 11G | 0502020554 | DISCO SEMILLA GIRASOL 28 | 01 |
| 11H | 0502020340 | DISCO SEMILLA SIN AGUJERO | 01 |
| 11I | 0502020367 | DISCO SIN AGUJERO | 01 |



PHT3 PLUS
DISTRIBUIDOR SEMILLA COMPL

Página 13
0909090134

| Artículo | Código | Descripción | QT |
|-----------------|---------------|----------------------------------|-----------|
| 11J | 0502020328 | DISC SEMILLA SOJA 34 | 01 |
| 11K | 0503031678 | DISCO SEMILLA SIN AGUJERO | 01 |
| 11L | 0502020327 | DISCO SEMILLA SIN AGUJERO | 01 |
| 11M | 0503031677 | DISCO SEMILLA SIN AGUJERO | 01 |
| 11N | 0502020583 | DISCO SEMILLA MANI 20 | 01 |
| 11O | 0502020419 | DISCO SEMILLA ALGODON DESLINT 40 | 01 |
| 11P | 0502020407 | DISCO SEMILLA FRIJOL | 01 |
| 11Q | 0502020333 | DISCO SEMILLA FRIJOL | 01 |
| 12 | 0511017897 | ASIENTO DISCO 5,5 MM | 01 |



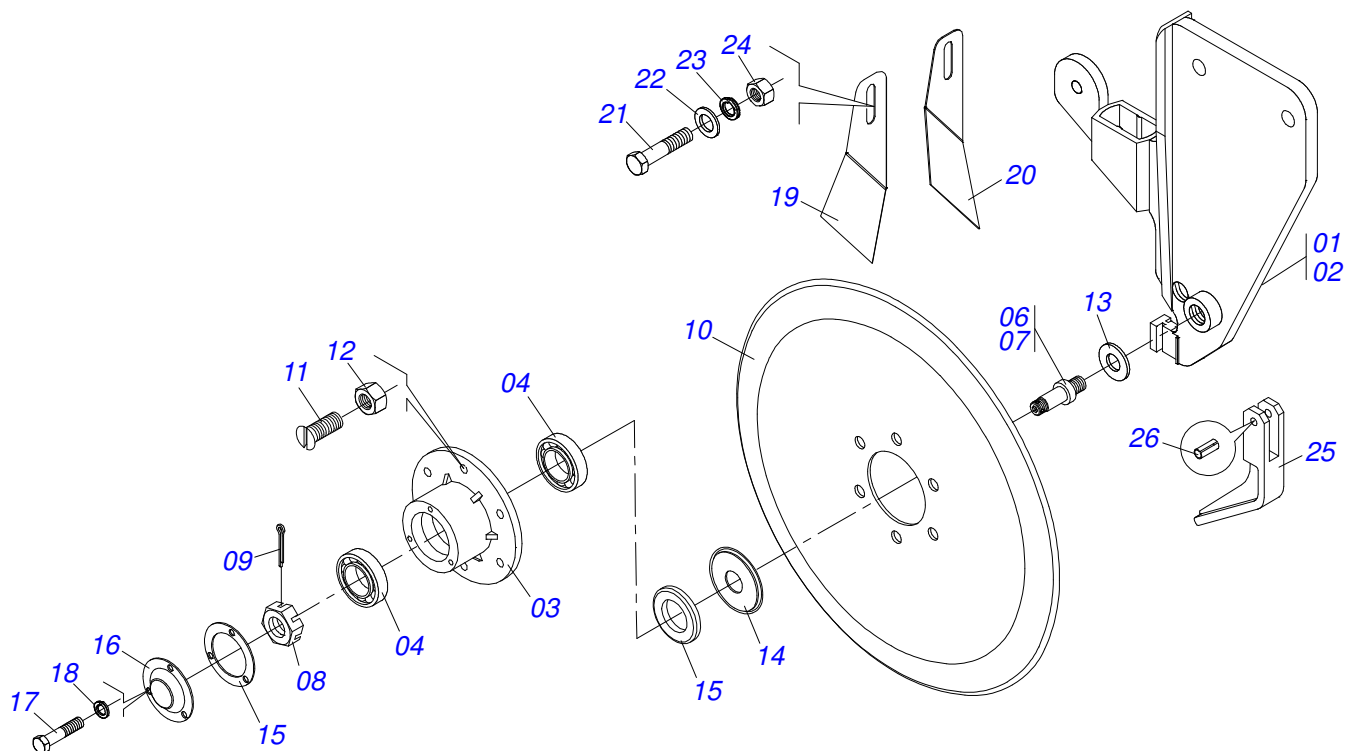
| Artículo | Código | Descripción | QT |
|----------|------------|-------------------------------------|----|
| 00 | 0501054912 | LINEA ABONO DER COMPLETA | 01 |
| 00A | 0501054913 | LINEA ABONO IZQUIERDA COMPLETA | 01 |
| 01 | 0501053348 | BRAZO LINEA ABONO DER C/DDD | 01 |
| 01A | 0511062695 | BRAZO LINEA ABONO | 01 |
| 01B | 0501052976 | DDD DEL ABONO DER 15 X 15 COMPLETO | 01 |
| 01C | 0511018662 | PLACA ESPACIAMIENTO 9,50 | 06 |
| 01D | 0503010706 | TORNILLO 1/2 UNC X 4.1/2 | 01 |
| 01E | 0503011440 | ARANDELA PRESION | 01 |
| 01F | 0503010060 | TUERCA 1/2" UNC | 01 |
| 02 | 0501053349 | BRAZO LINEA ABONO C/DDD IZQ | 01 |
| 02A | 0501052977 | DDD DEL ABONO IZQ 15 X 15 COMPLETO | 01 |
| 03 | 0511062702 | GUIA RESORTE ABONO | 01 |
| 04 | 0503011411 | TORNILLO 1/2" UNC X 5.1/2" | 01 |
| 05 | 0511017302 | ARANDELA PLANA 13.5 X 32.5 X 3.00 | 02 |
| 06 | 0501013739 | BUJE 19,5 X 13,5 X 10,5 | 02 |
| 07 | 0503010019 | ARANDELA PRESION 1/2" | 01 |
| 08 | 0503011336 | TUERCA 1/2" UNC S | 01 |
| 09 | 0501013753 | ARANDELA PLANA | 01 |
| 10 | 0502040534 | BUJE TRABA GUIA RESORTE | 02 |
| 11 | 0501018535 | TORNILLO 1/2 UNC X 1 | 02 |
| 12 | 0503030609 | RESORTE COMPRESION 25,5 X 300 X 4,0 | 01 |
| 13 | 0503030917 | RESORTE COMPRESION 39,7 X 300 X 6,0 | 01 |
| 14 | 0503010013 | TUERCA 5/8 | 01 |
| 15 | 0501010066 | TORNILLO 3/4" UNC X 9" | 01 |
| 16 | 0521018797 | BUJE 19.5 X 25 X 14 | 02 |
| 17 | 0511017232 | ARANDELA PLANA | 02 |
| 18 | 0511017304 | ARANDELA PLANA | 02 |
| 19 | 0503010023 | ARANDELA PRESION | 01 |
| 20 | 0503010014 | TUERCA 3/4" UNC | 01 |
| 21 | 0503030391 | BOQUILLA ABONO DER | 01 |
| 22 | 0503030408 | MANGUERA 2 X 2 X 390 | 01 |
| 23 | 0503031076 | PRESILLA MANGUERA 2 | 02 |
| 24 | 0511040570 | DISCO CORTE 16" COMPL | 01 |



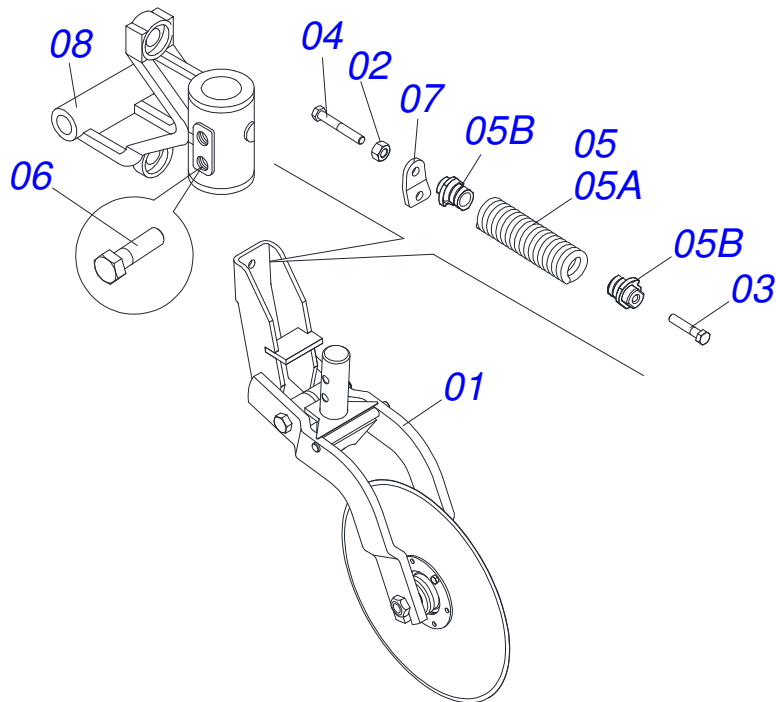
PHT3 PLUS
LINEA ABONO COMPLETA

Página 14
0909091087

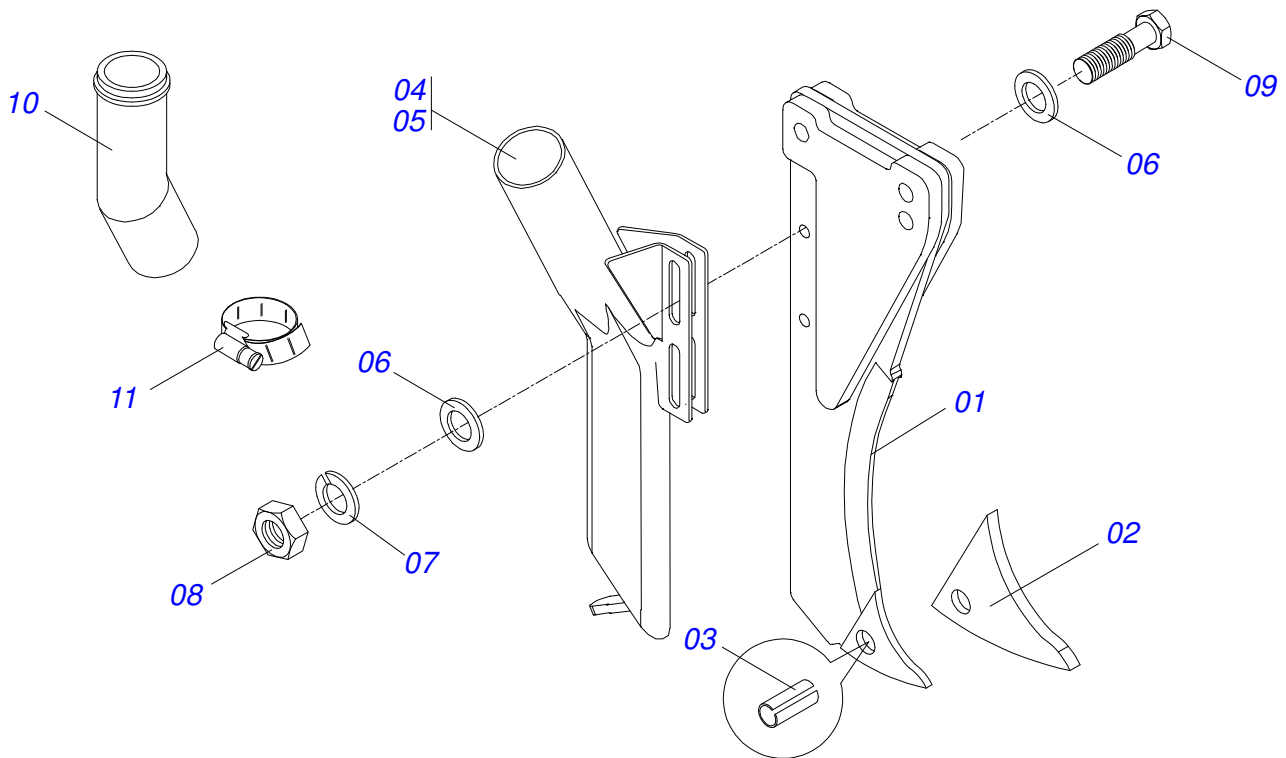
| Artículo | Código | Descripción | QT |
|----------|------------|-------------------------------------|----|
| 25 | 0501052767 | ASTA ESCARIFICADORA DER ABONO COMP | 01 |
| 25A | 0501110231 | ASTA ESCARIFICADORA CON PUNTA | 01 |
| 25Aa | 0511061768 | ASTA ESCARIFICADORA ABONO | 01 |
| 25Ab | 0502070061 | PUNTA SUBSOLADORA | 01 |
| 25Ac | 0503011373 | PASADOR TENSION | 01 |
| 25B | 0511061769 | CONDUCTOR DER ABONO REGULADOR | 01 |
| 25C | 0503010751 | TORNILLO 3/8" UNC X 1.1/4" | 02 |
| 25D | 0501010984 | ARANDELA PLANA | 04 |
| 25E | 0503010025 | ARANDELA PRESION 3/8 | 02 |
| 25F | 0503010026 | TUERCA 3/8 | 02 |
| 25G | 0503031050 | CONDUCTOR CURVO | 01 |
| 25H | 0503010246 | ABRAZADERA | 01 |
| 26 | 0501052768 | ASTA ESCARIFICADORA IZQ ABONO COMP | 01 |
| 26A | 0511061770 | CONDUCTOR IZQUIERDO ABONO REGULADOR | 01 |



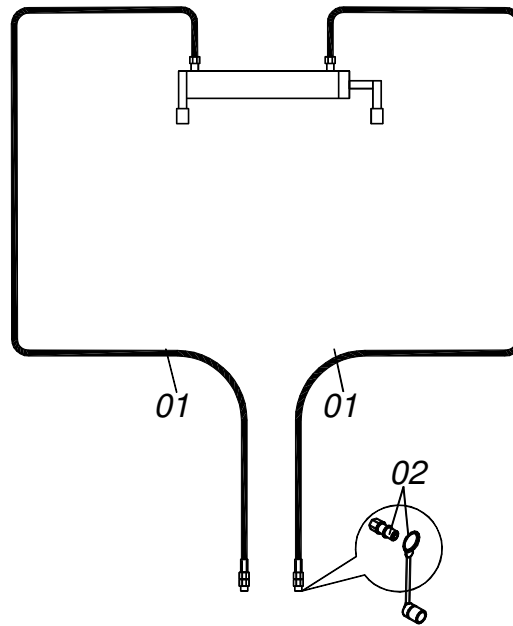
| Artículo | Código | Descripción | DIR | ESQ |
|----------|------------|------------------------------------|-----|-----|
| 00 | 0501052976 | DDD DEL ABONO DER 15 X 15 COMPLETO | 01 | 00 |
| 00A | 0501052977 | DDD DEL ABONO IZQ 15 X 15 COMPLETO | 00 | 01 |
| 01 | 0502011160 | SOP D D DESCENTRADO 15X15 DER | 01 | 00 |
| 02 | 0502011161 | SOP D D DESCENTRADO 15X15 IZQ | 00 | 01 |
| 03 | 0502011930 | CAJA DEL DISCO DOBLE DESENCONTRADO | 02 | 02 |
| 04 | 0503010598 | RODAMIENTO 30204 | 04 | 04 |
| 05 | 0503011112 | RETEN 02376-BRG | 02 | 02 |
| 06 | 0521019154 | EJE DER DEL CUBO DEL DDD | 01 | 01 |
| 07 | 0521019148 | EJE IZQ DEL CUBO DEL DDD | 01 | 01 |
| 08 | 0503030282 | TUERCA CASTILLO 3/4" UNF X 12 | 02 | 02 |
| 09 | 0503010257 | PASADOR ABIERTO 1/8" X 1" | 02 | 02 |
| 10 | 0603022042 | DISCO PLANO LISO | 02 | 02 |
| 11 | 0503010546 | TORNILLO 5/16 UNC X 7/8 | 12 | 12 |
| 12 | 0503010337 | TUERCA 5/16 | 02 | 02 |
| 13 | 0511015098 | ARANDELA PLANA | 06 | 06 |
| 14 | 0511011927 | GUARDAPOLVO 58,50 X 19,20 X 7,50 | 02 | 02 |
| 15 | 0503030757 | EMPAQUETA DURA 71,50 X 50 X 0,50 | 02 | 02 |
| 16 | 0521019178 | TAPA PROFUNDIDADE | 02 | 02 |
| 17 | 0503014729 | TORNILLO 1/4" UNF X 1/2 | 06 | 06 |
| 18 | 0503011441 | ARANDELA PRESION | 06 | 06 |
| 19 | 0501017541 | LIMPIADOR DISCO DOBLO DER | 01 | 01 |
| 20 | 0501017542 | LIMPIADOR DISCO DOBLO IZQ | 01 | 01 |
| 21 | 0503010751 | TORNILLO 3/8" UNC X 1.1/4" | 01 | 01 |
| 22 | 0501010984 | ARANDELA PLANA | 02 | 02 |
| 23 | 0503011443 | ARANDELA PRESION | 01 | 01 |
| 24 | 0503010026 | TUERCA 3/8 | 01 | 01 |
| 25 | 0502070062 | LIMPIADOR | 01 | 01 |
| 26 | 0503011402 | PASADOR TENSION 701156 6 X 20 | 01 | 01 |



| Artículo | Código | Descripción | QT |
|----------|------------|-----------------------------------|----|
| 01 | 0501056428 | DISCO CORTE 16" COMPLETO | 01 |
| 02 | 0503010060 | TUERCA 1/2" UNC | 01 |
| 03 | 0503011264 | TORNILLO 1/2" UNC X 2.1/2" | 01 |
| 04 | 0503013329 | TORNILLO 1/2" UNC X 4.3/4" | 01 |
| 05 | 0511057192 | RESORTE TRACCION 53,5 X 200 | 01 |
| 05A | 0503031681 | RESORTE TRACCION 53,50 X 200 X 10 | 01 |
| 05B | 0502011031 | ENGANCHE SUPERIOR RESORTE | 02 |
| 06 | 0511016156 | TORNILLO 5/8" UNC X 1.1/2" | 02 |
| 07 | 0531012869 | APOYO RESORTE | 01 |
| 08 | 0502011567 | SOPORTE LINEA ABONO | 01 |



| Artículo | Código | Descripción | QT |
|----------|------------|-------------------------------------|----|
| 00 | 0501052767 | ASTA ESCARIFICADORA DER ABONO COMP | 01 |
| 00. | 0501052768 | ASTA ESCARIFICADORA IZQ ABONO COMP | 01 |
| 01 | 0501110231 | ASTA ESCARIFICADORA CON PUNTA | 01 |
| 02 | 0502070061 | PUNTA SUBSOLADORA | 01 |
| 03 | 0503011373 | PASADOR TENSION | 01 |
| 04 | 0511061769 | CONDUCTOR DER ABONO REGULADOR | 01 |
| 05 | 0511061770 | CONDUCTOR IZQUIERDO ABONO REGULADOR | 01 |
| 06 | 0501010984 | ARANDELA PLANA | 04 |
| 07 | 0503010025 | ARANDELA PRESION 3/8 | 02 |
| 08 | 0503010026 | TUERCA 3/8 | 02 |
| 09 | 0503010751 | TORNILLO 3/8" UNC X 1.1/4" | 02 |
| 10 | 0503031050 | CONDUCTOR CURVO | 01 |
| 11 | 0503010246 | ABRAZADERA | 01 |



| Artículo | Código | Descripción | QT |
|----------|------------|--|----|
| 01 | 0501080883 | MANGUERA 3/8" X 1500 TC-TM | 02 |
| 02 | 0501053834 | ACOPLAMIENTO RAPIDO MACHO AGRICOLA CON | 02 |



MARCHESAN IMPLEMENTOS E MÁQUINAS AGRÍCOLAS TATU S.A.
AV. Marchesan, 1979 - Casilla de Correos, 131 - CEP 15994-900 - Matão - SP - Brazil
Fono +55 16.3382-8282
(FAX Parts) + 55 16.3382. 8297 - (Export) + 55 16.3382.1003
e.mail: tatu@marchesan.com.br www.marchesan.com.br

Publicaciones Técnicas: Desarrollo
ALESSANDRA PATRICIA KAWAHARA CARRILI

Publicaciones Técnicas: Revisión
JOSÉ DOMINGOS GASPARI

Contactos Catálogo:
E-mail = jgaspari@marchesan.com.br

**ORIGINAL PARTS
TATU**

