

**OFFSET DISK HARROW**

**GASPCW - 25D**

**Code:** 0501090714  
**Series:** S-1102  
**Revision:** 00  
**Date Revision:** AGOSTO/2004

# PARTS CATALOGUE



**MARCHESAN**



# PRODUCTS

Code	Description
0102050078	GASPCW 25X34X12,00 DM S/PN/R S-1102
0102050079	GASPCW 25X36X9,00 DM S/PN/R S-1102

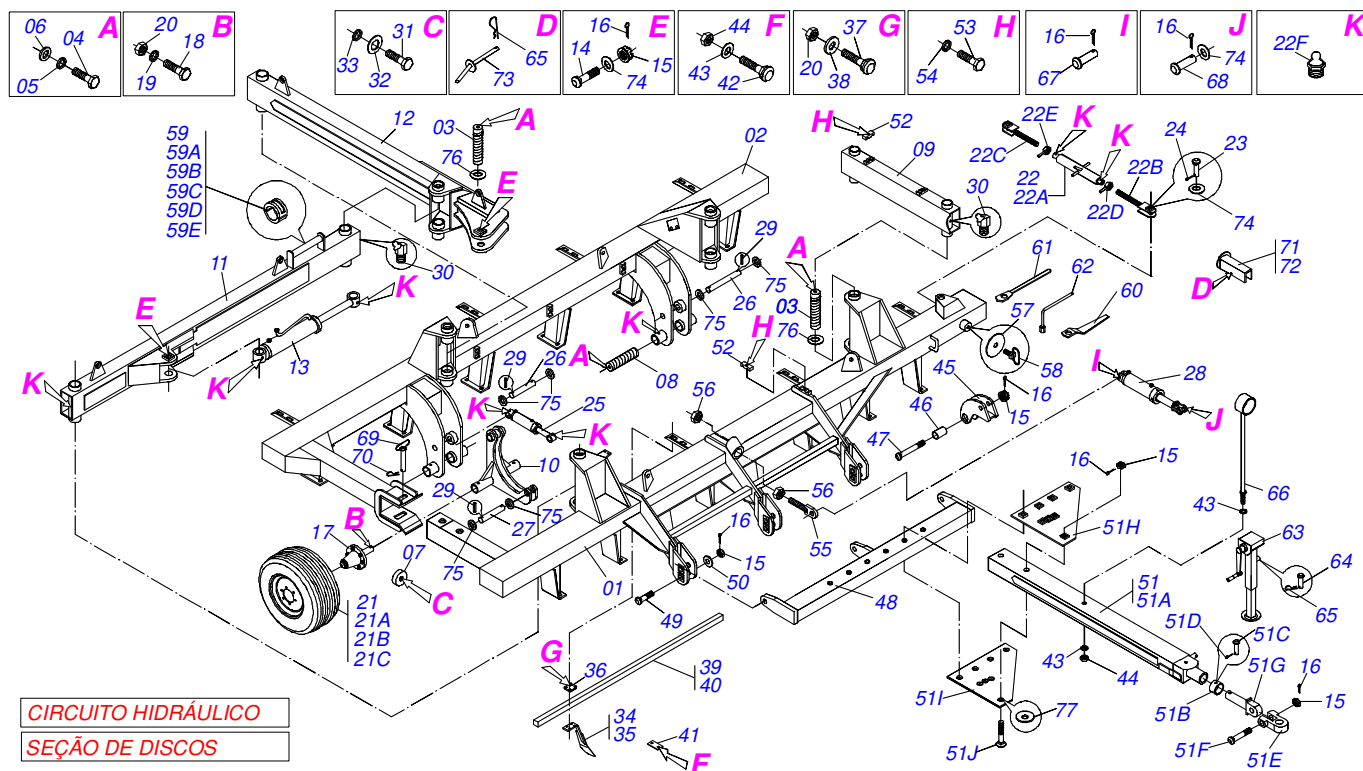
## ATTENTION: IMPORTANT

Marchesan S.A. reserves the right to improve and/or modify the technical features of its products, without obligation to do the same with those products already sold and without prior knowledge of the dealer or the customer. The photos are only illustrative.



# INDEX

0909090226	FRAME ASSY	.....	1
0501048041	50,8 X 127 X 890 X 605 HYDRAULIC CYLINDER	.....	2
0511041424	50,80X101,6X515X248 HYDRAULIC CYLINDER	.....	3
0511041425	50,8X101,6X465X150 HYDRAULIC CYLINDER	.....	4
0511041259	DRAW BAR JACK ASSY	.....	5
0501051885	CARRYING-WHEELS	.....	6
0909090227	GANG DISC - 25/29D	.....	7
0909090228	HIDRAULIC CIRCUIT	.....	8
0501046900	430MM X 2-1/2" RD. OIL BATH BEARING	.....	9
0501052389	COMPLETE FLOW DIVIDER VALVE	.....	10
0501054694	COMPLETE FLOW DIVIDER VALVE	.....	11



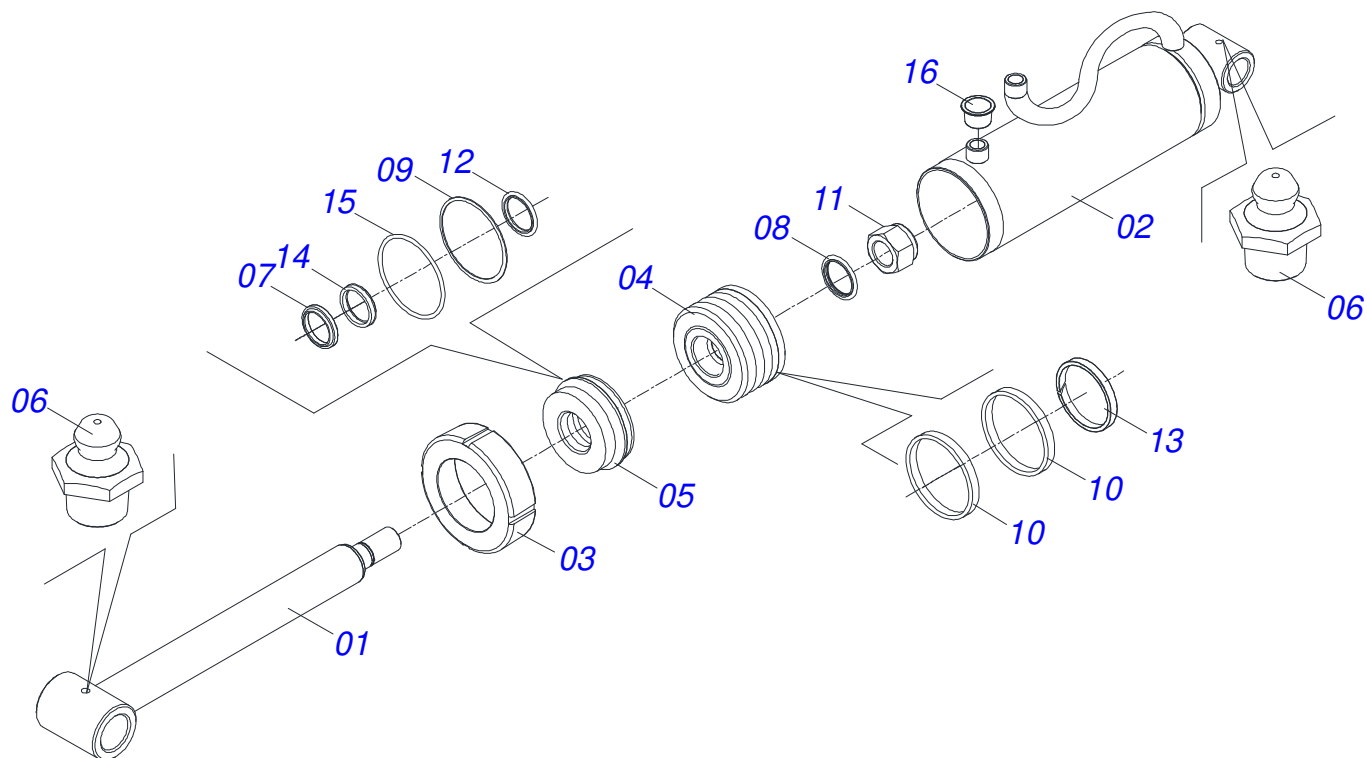
Item	Code	Description	See page	QT
01	0511064418	FRONT FRAME		01
02	0511064419	REAR FRAME		01
03	0521011569	20" COUPLING SHAFT		06
04	0503010953	BOLT 1 UNC X 2 C S G.5 ZN		08
05	0503010012	1" SPRING WASHER		08
06	0521011565	FLAT WASHER		14
07	0521011481	FRAME BATTERY		01
08	0531018062	COUPLING SHAFT		02
09	0511064428	JOIN		01
10	0511064420	CARRYING-WHEELS SUPPORT		02
11	0511064421	FRONT STABILIZER BAR		01
12	0511064422	REAR STABILIZER BAR		01
13	0501048041	50,8 X 127 X 890 X 605 HYDRAULIC CYLINDER	2	01
13.	0511045489	CILINDRO HIDRAULICO		01
14	0531018100	37,50 X 200 COUPLING SHAFT		02
15	0501011301	1.1/2 UNC 6FPP 2.5/16 NUT		12
16	0503010523	1/4" X 2" SPLIT PIN		02
17	0501051885	CARRYING-WHEELS	6	04
18	0503010547	1/2" X 4" BOLT		04
19	0503010019	1/2" SPRING WASHER		04
20	0503010060	1/2 UNC G.5 ZN HEX NUT		100
21	0503060414	WHEEL AND TIRE		04
21A	0503012108	WHEEL 10 LB X 15 X 8F X 203		04
21B	0503010860	AIR CHAMBER 11L 15		04
21C	0503011469	RIB TIRE BL - 12L		04
22	0501051852	JOINT TURNBUCKLE ASSY		01
22A	0501069332	JOIN TURNBUCKLE		01
22B	0501069334	JACKET		01
22C	0501069333	JACK CRANK		01
22D	0501069330	LOCKNUT WITH RIGHT HANDLER R 2-1/8		01
22E	0501069331	LOCKNUT WITH LEFT HANDLER R 2-1/8		01



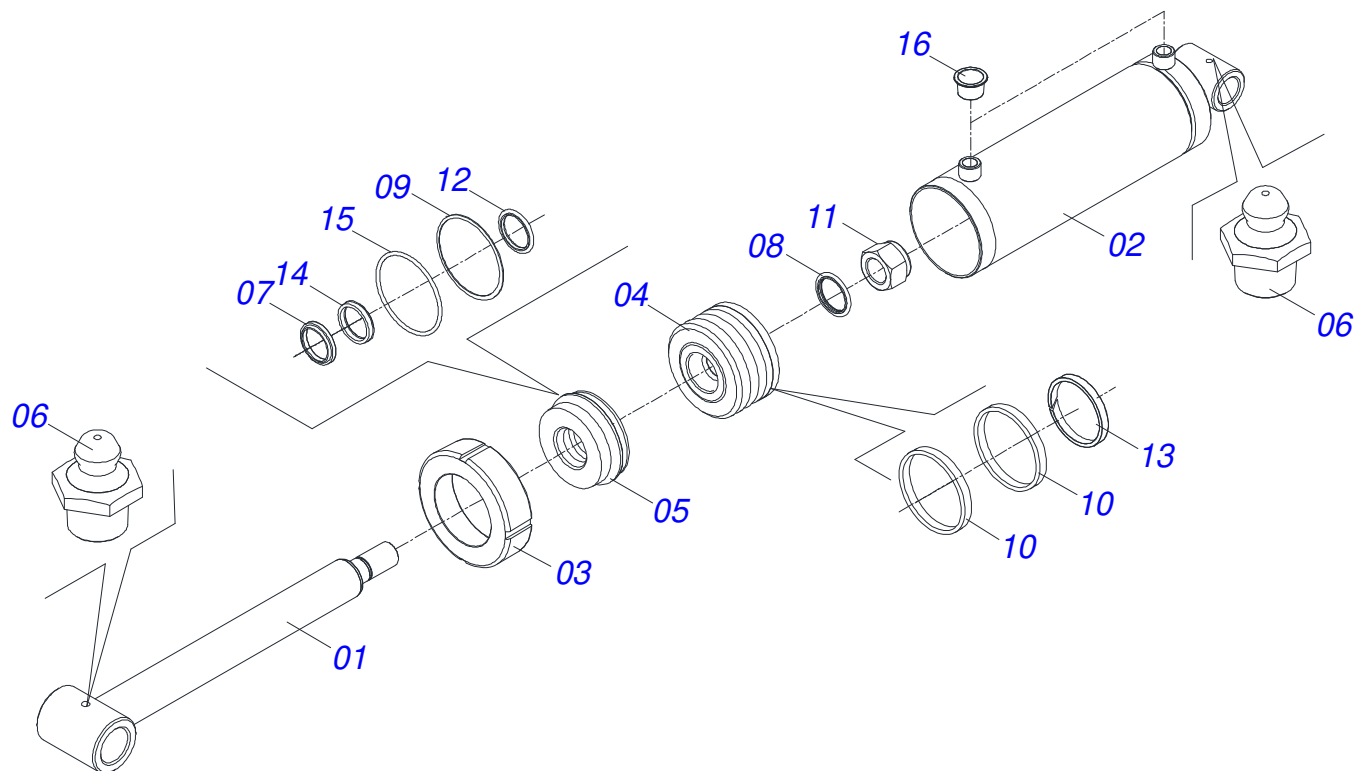
Item	Code	Description	See page	QT
22F	0503010002	1800 GREASE FITTING		33
23	0521011573	1.5" X 4.7" PIVOT SHAFT		02
24	0503010534	3/8 X 2-1/2 COTTERPIN		02
25	0511041424	50,80X101,6X515X248 HYDRAULIC CYLINDER	3	02
26	0531018105	1.2" X 11.8" PIVOT SHAFT		02
27	0531018101	1.2" X 6.3" PIVOT SHAFT		02
28	0511041425	50,8X101,6X465X150 HYDRAULIC CYLINDER	4	01
29	0503011877	0.3" X 2.4" SPRING PIN		08
30	0503010003	1845 GREASE FITTING		02
31	0501010108	5/8" X 1" BOLT		01
32	0501012140	FLAT WASHER		01
33	0503010027	5/8 SPRING WASHER		01
34	0501069486	FRONT SCRAPER		12
35	0501069489	REAR SCRAPER		13
36	0521011774	FIXER PLATE CLEANER		25
37	0503012110	1/2" X 3-3/4" BOLT		100
38	0511017302	FLAT WASHER 13,50 X 32,50 X 3,0 ZN		100
39	0521011928	199.2" SCRAPER TUBE		01
40	0531018042	215.3" SCRAPER TUBE		01
41	0521011566	FIXER PLATE TUBE CLEANER		08
42	0501010162	3/4" X 4" BOLT		16
43	0501010322	FLAT WASHER		16
44	0503010014	3/4" HEX NUT		17
45	0511064429	DRAWBAR PIVOT		01
46	0531018102	PIVOT BUSHING OF THE DRAWBAR		01
47	0531018044	1.5" X 11" COUPLING SHAFT		01
48	0511064430	OFFSET BAR		01
49	0531018099	37,50 X 190 COUPLING SHAFT		02
50	0521011721	1.6" X 3.94" X 0.12" WASHER		02
51	0501048069	DRAWBAR ASSY		01
51A	0501069323	TRACTION BAR		01
51B	0502040327	HITCH LOCK RING		01
51C	0511014902	COUPLING SHAFT		01
51D	0503010571	1/4" X 1.1/2 COTTERPIN		01
51E	0502040732	CLEVIS		01
51F	0521012545	COUPLING SHAFT		01
51G	0502040727	COUPLING SHAFT		01
51H	0501069320	UPPER PLATE WITH WASHER		01
51I	0501069321	LOWER PLATE WITH WASHER		01
51J	0521011575	1.5" X 8.6" COUPLING SHAFT		06
52	0502010477	HOSE CLAMP		06
53	0503011102	BOLT 7/16 UNC X 1.1/4 C S G.5 ZN		06
54	0503010180	7/16" SPRING WASHER		06
55	0511064433	REGULATOR SPINDLE 1-3/4		01
56	0501010333	1.3/4" NUT		02
57	0521011722	FLAT WASHER		01
58	0501069343	WRENCH FIXER		01
59	0501043620	0.98" ROD STOP FOR 2" CYLINDER		01
59A	0501043694	1.18" ROD STOP FOR 2" CYLINDER		01
59B	0501046407	1.18" ROD STOP FOR 2" CYLINDER		01
59C	0501043695	1.6" ROD STOP FOR 2" CYLINDER		01
59D	0501043688	1.96" ROD STOP FOR 2" CYLINDER		01
59E	0501044341	2.4" SPACER RING FOR 2" CYLINDER		01
60	0501011432	1-1/2" AND 1-5/8 GANG BOLT WRENCH		01
61	0501061044	2-1/8" AND 2-1/2" CABLE FLAT WRENCH		02
62	0501061045	1" WRENCH CYLINDRICAL		01
63	0511041259	DRAWBAR JACK ASSY	5	01
64	0521010549	COUPLING SHAFT		01
65	0503030168	HITCH PIN CLIP		03



Item	Code	Description	See page	QT
66	0511064470	HOSE HOLDER ASSY		04
67	0521012538	1.2" X 3.5" COUPLING SHAFT		01
68	0521010545	1.2" X 5.1" COUPLING SHAFT		01
69	0501069350	230 PIVOT SHAFT WITH PULL		01
70	0503031035	HITCH PIN CLIP		01
71	0511064468	TRANSPORT LOCK 9.64" X 2.4"		02
72	0511064469	LOCK BOLT		01
73	0501068994	8,30 X 78 LOCK PIN		03
74	0501012916	FLAT WASHER 40 X 66 X 4,75 ZN		06
75	0501011204	FLAT WASHER		08
76	0531018212	FLAT WASHER		05
77	0521015346	FLAT WASHER		02

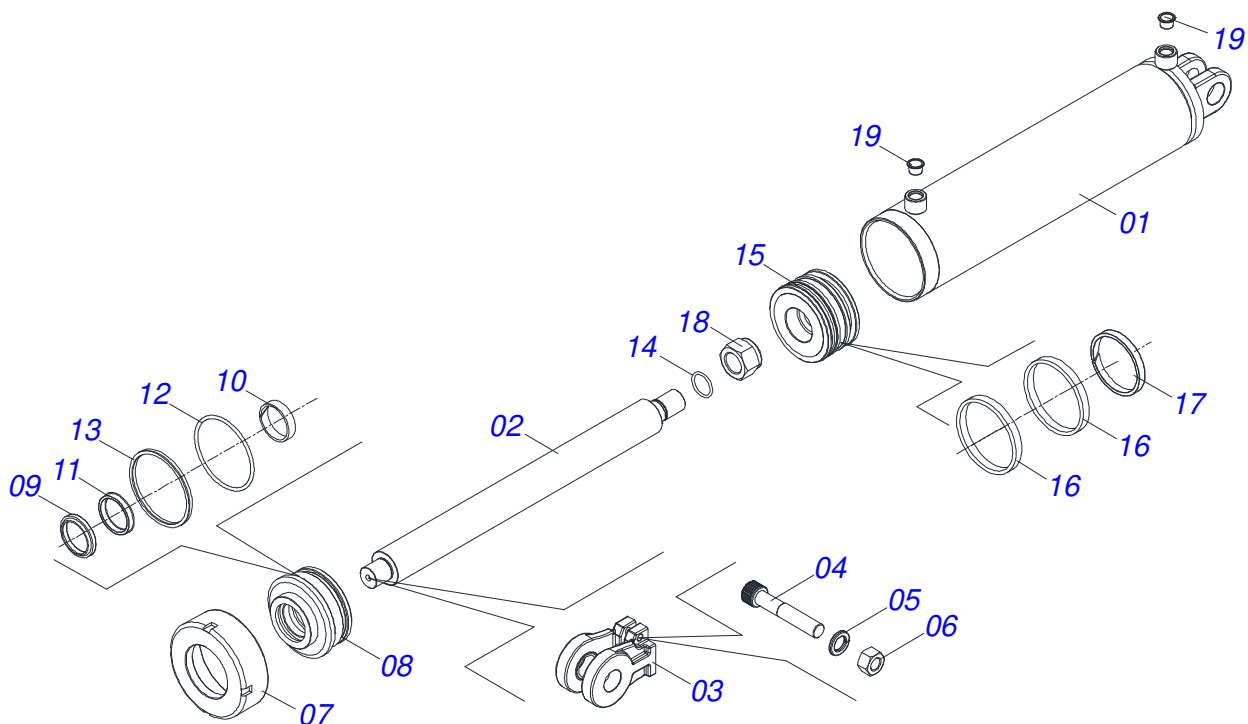


Item	Code	Description	See page	QT
01	0501069480	2" X 32" TURNBUCLE WITH BUSHING		01
02	0501069481	5" X 32" CYLINDER CASE		01
03	0502010382	5" END CAP		01
04	0502010963	2.0" X 5.0" PISTON		01
05	0502012227	50.80 X 127 RING SUPPORT		01
06	0503010002	1800 GREASE FITTING		02
07	0503010039	D-2000 SCRAPER RING		01
08	0503010345	2-218 N 3006-9B O'RING		01
09	0503010351	2-425 N 3006-9B O'RING		01
10	0503010552	PACKING 3750-4250-625-B		02
11	0503010817	1.1/4" SELF LOCKING NUT		01
12	0503010952	W2-2250-500 RING		01
13	0503010974	W2-5000-500 RING		01
14	0503010991	1870-2000-375-B GASKET		01
15	0503011062	8-425 BACK-UP RING		01
16	0503030387	PLUG		02
17	0501031961	HYDRAULIC CYLINDER REPAIR KIT		01

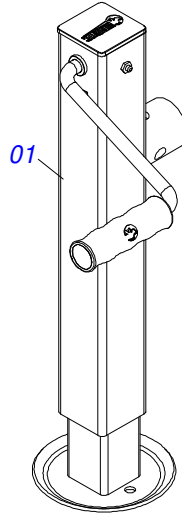


Item	Code	Description	See page	QT
01	0501067733	2" X 17.5" TURNBUCLE WITH BUSHING		01
02	0511064431	4" X 17" CYLINDER CASE		01
03	0502010017	4" HEAD		01
04	0502010992	2.0" X 4.0" PISTON		01
05	0502010778	2" X 4.2" RING SUPPORT		01
06	0503010002	1800 GREASE FITTING		02
07	0503010039	D-2000 SCRAPER RING		01
08	0503010345	2-218 N 3006-9B O'RING		01
09	0503011061	8-342 BACK-UP RING		01
10	0503010043	PACKING 3750-3250		02
11	0503010817	1.1/4" SELF LOCKING NUT		01
12	0503010952	W2-2250-500 RING		01
13	0503010994	W2-4000-500 PK RING G.E		01
14	0503010991	1870-2000-375-B GASKET		01
15	0503010338	2-342 N 3006-9B O'RING		01
16	0501031799	HYDRAULIC CYLINDER REPAIR KIT		01

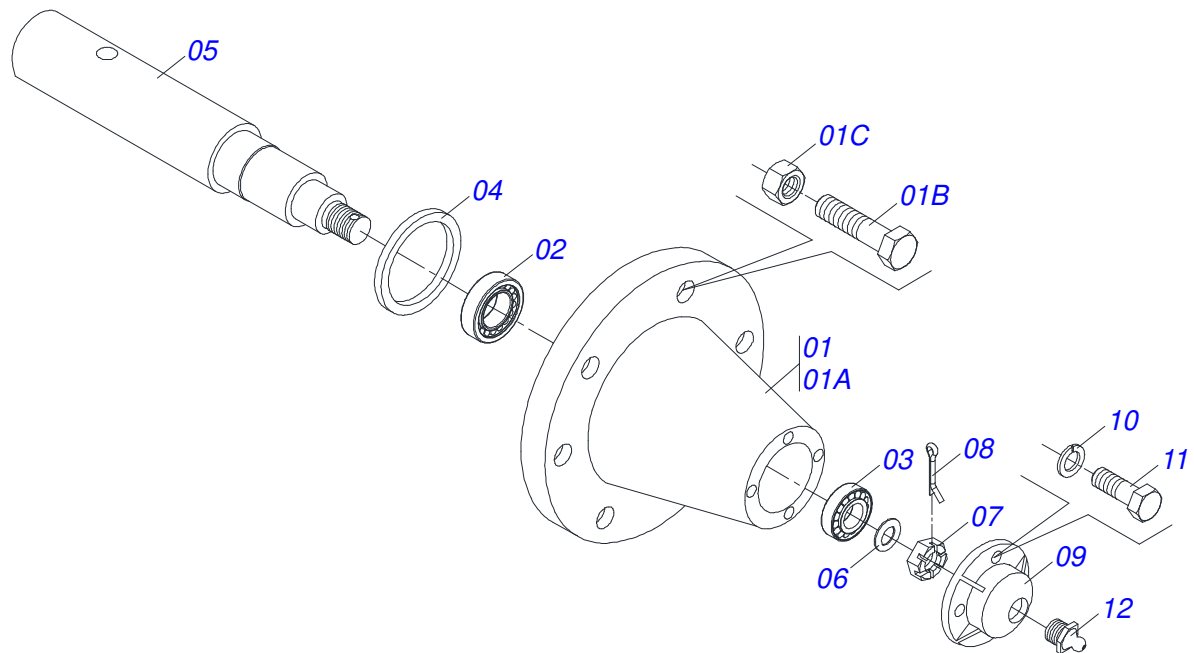




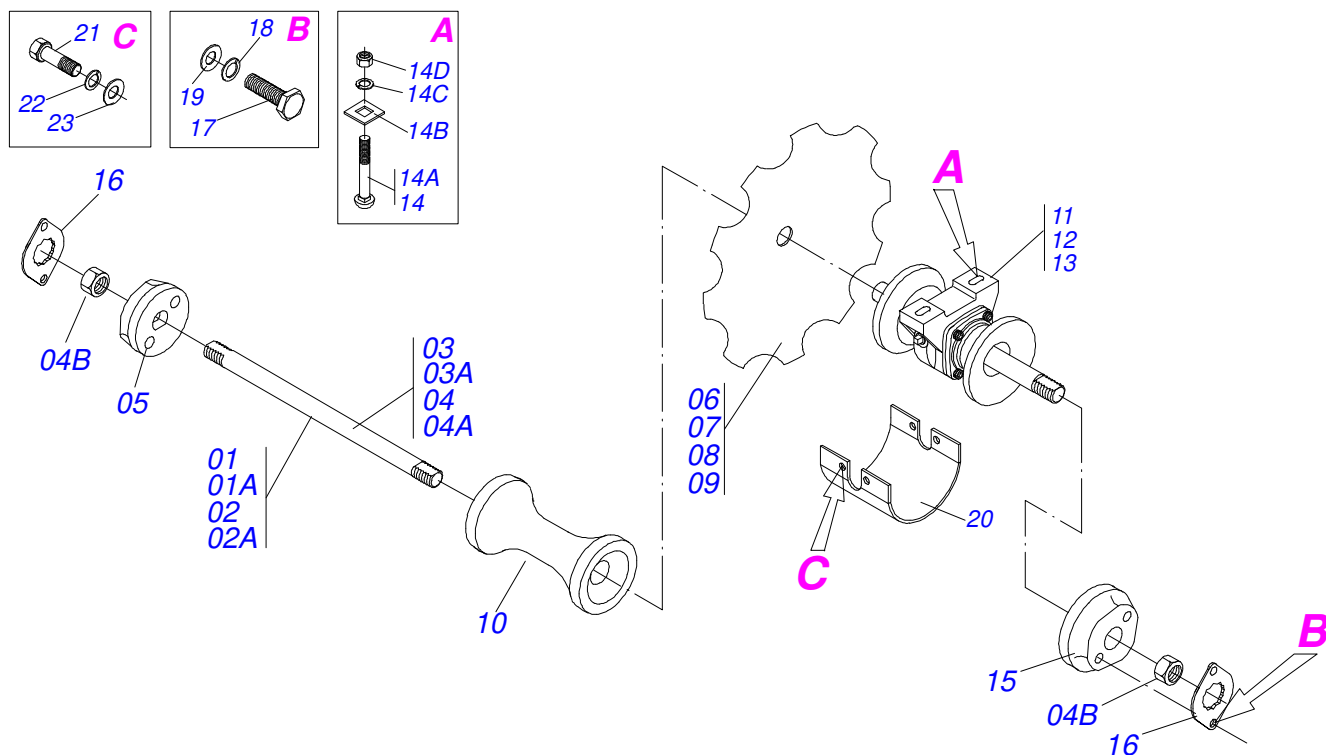
Item	Code	Description	See page	QT
01	0511064432	4" X 13" CYLINDER CASE		01
02	0531018204	2" X 13" EXTENDING BODY		01
03	0502040747	32.54 CLEVIS CLAMP		01
04	0503011094	3/8" X 2" BOLT		01
05	0503010025	3/8 SPRING WASHER		01
06	0503010026	3/8" NUT		01
07	0502010017	4" HEAD		01
08	0502010778	2" X 4.2" RING SUPPORT		01
09	0503010039	D-2000 SCRAPER RING		01
10	0503010952	W2-2250-500 RING		01
11	0503010991	1870-2000-375-B GASKET		01
12	0503010338	2-342 N 3006-9B O'RING		01
13	0503011061	8-342 BACK-UP RING		01
14	0503010345	2-218 N 3006-9B O'RING		01
15	0502010992	2.0" X 4.0" PISTON		01
16	0503010043	PACKING 3750-3250		02
17	0503010994	W2-4000-500 PK RING G.E		01
18	0503010817	1.1/4" SELF LOCKING NUT		01
19	0503030384	CON PLUG N-001		
20	0501031799	HYDRAULIC CYLINDER REPAIR KIT		01



Item	Code	Description	See page	QT
01	0503062157	DRAWBAR JACK		01



Item	Code	Description	See page	QT
01	0501110738	CARRYING WHEEL HUB		01
01A	0502012260	TRANSPORT WHEEL BOX		01
01B	0503010064	5/8 UNF CONIC NUT		08
01C	0501010186	WHEEL SCREW 5/8UNF X 2.1/8CR		08
02	0503011156	ROLAMENTO 2780/2720 IMP		01
03	0503010008	3780/3720 ROLLER BEARING		01
04	0503013314	RETAINER 5166-GB 63,5 X 110 X 13 ARCA		01
05	0511012494	SPINDLE		01
06	0511012492	FLAT WASHER		01
07	0503030009	1" CASTLE NUT		01
08	0503010018	5/32 X 1-1/2 COTTERPIN		01
09	0502020591	PROTECCION COVER		01
10	0503011444	SPRING WASHER		04
11	0503010358	5/16" X 5/8" BOLT		04
12	0503010002	1800 GREASE FITTING		01



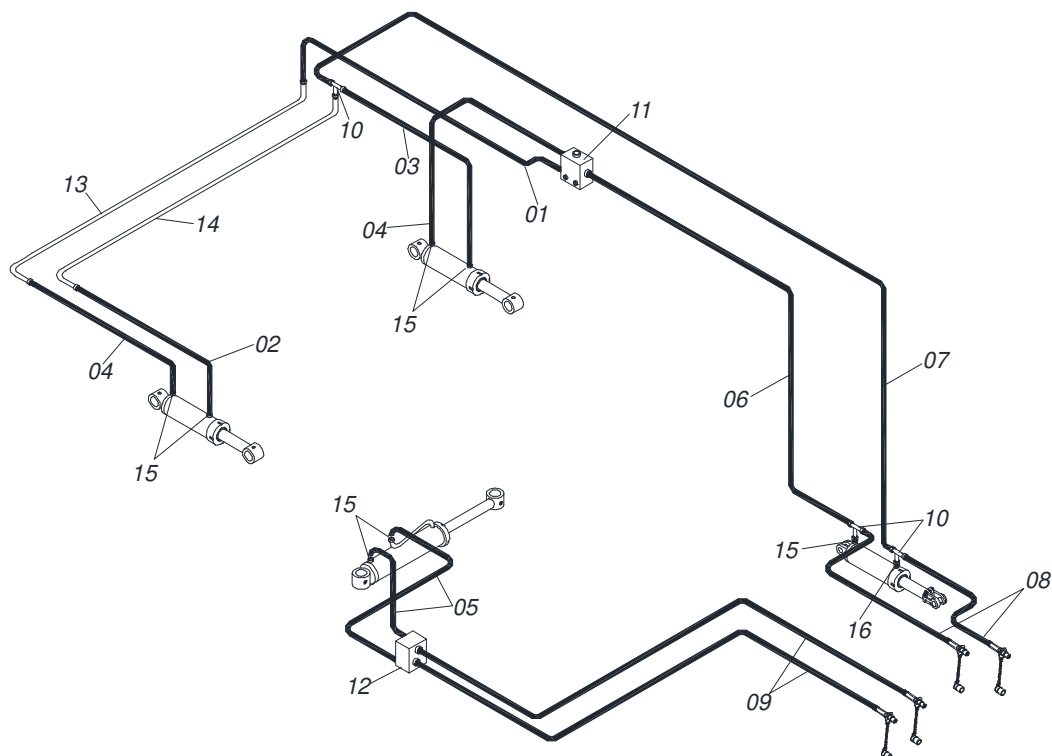
Item	Code	Description	See page	25	29
01	0501040690	2.1/2" X 80" AXLE WITH NUTS		03	
01A	0501010357	2.1/2" X 81" AXLE		03	
02	0501040691	2-1/2" X 97" AXLE WITH NUTS		03	01
02A	0501010356	2-1/2" X 97" AXLE		03	01
03	0501040693	2.1/2" X 63" AXLE WITH NUTS		02	
03A	0501010358	2.1/2" X 63" AXLE		02	
04	0501040692	2-1/2" X 115" AXLE WITH NUTS		01	
04A	0501010355	2-1/2" X 115" AXLE		01	
04B	0502040064	2.1/2" SNC X 70 99 NUT		08	12
05	0502010593	2.1/2" EXTERNAL AXLE WASHER		04	06
06	0602044004	DR 32 X 12 C115AF04FR2.9/16 10R TAT/CV		25	
07	0602046039	34" X 05" NOTCHED DISC BLADE		25	29
08	0602048002	36" X 0.5" NOTCHED DISC BLADE		25	
09	0602048001	36" X 0.3" X 9" NOTCHED DISC BLADE		25	29
10	0502012220	2.1/2" X 17" SPACER		13	11
11	0501040100	17" X 2-1/2" OIL BATH BEARING		06	
12	0501046900	430MM X 2-1/2" RD. OIL BATH BEARING	9	04	
13	0501040101	17" X 2-1/2" OIL BATH BEARING		04	06
14	0501041301	1.1/4" X 5.3/4" ASSY BOLT		16	24
14A	0501010954	1.1/4" X 5.3/4" BOLT		16	24
14B	0501010953	1-1/4" SQUARE WASHER		16	24
14C	0531010713	FLAT WASHER		16	24
14D	0501010087	1.1/4" NUT		16	24
15	0502010592	2.1/2" INNER AXLE WASHER		04	06
16	0501010348	2-1/8" TO 2-1/2" NUT LOCK		08	12
17	0503011267	5/8 UNC X 1.1/2" C S G.5 ZN BOLT		16	24
18	0503010027	5/8 SPRING WASHER		16	24
19	0501012140	FLAT WASHER		16	24
20	0501018437	PROTECTION COVER		01	01
21	0503010834	1/2 X 1 BOLT		04	04
22	0511017302	FLAT WASHER 13,50 X 32,50 X 3,0 ZN		04	04



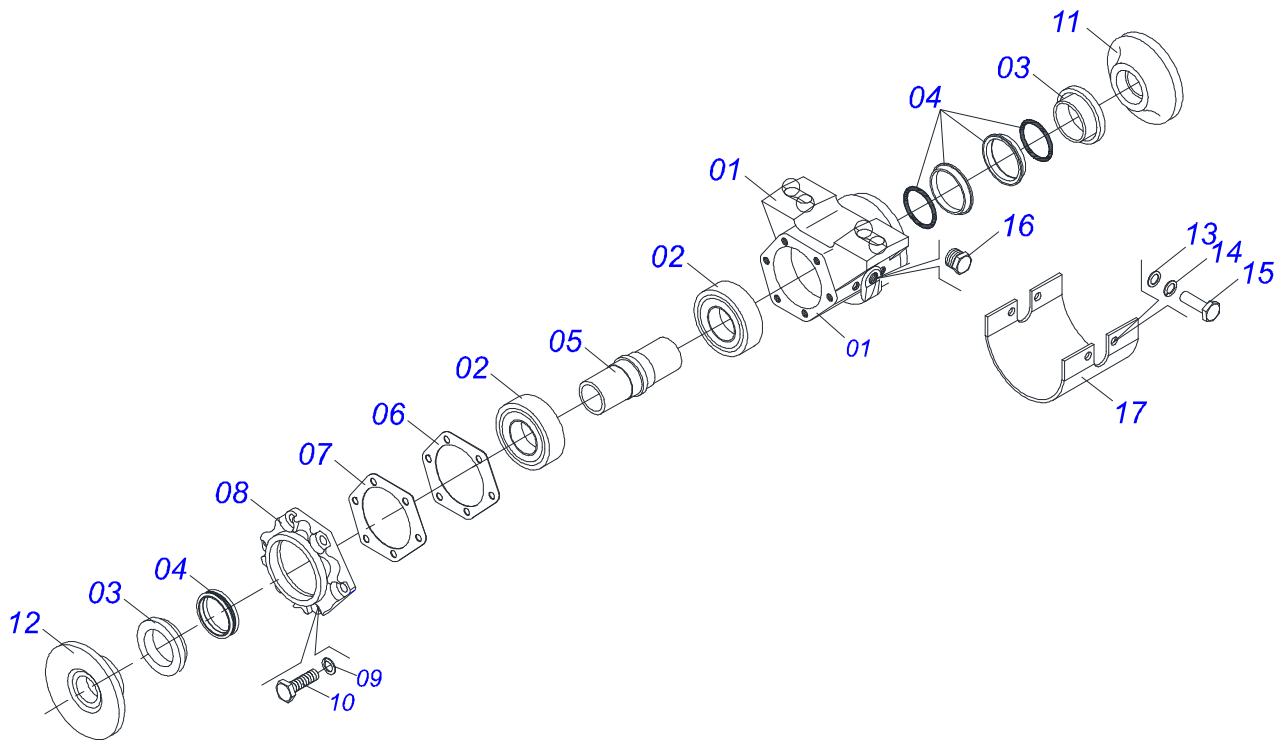
**GASPCW - 25D**  
**GANG DISC - 25/29D**

Page 7  
0909090227

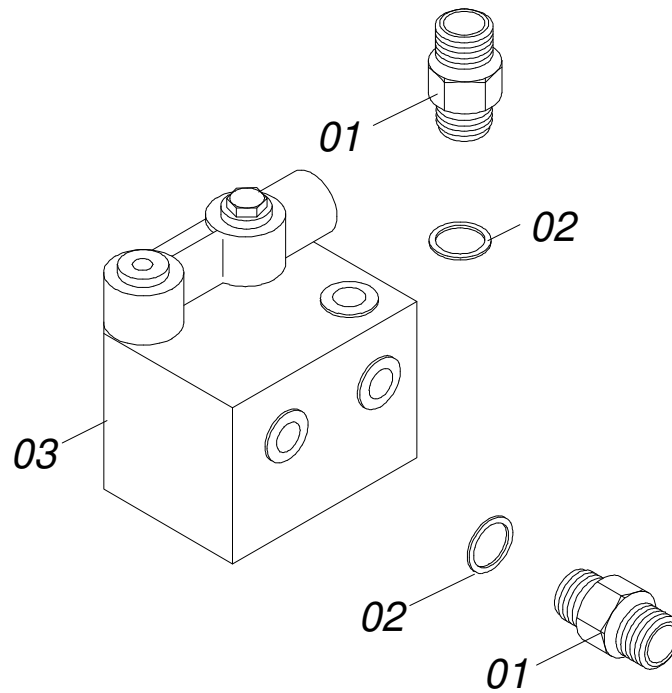
Item	Code	Description	See page	25	29
23	0503010019	1/2" SPRING WASHER		04	04



Item	Code	Description	See page	QT
01	0501080123	1/2 X 800 TR-TC HOSE ASSY		01
02	0501080022	1/2" X 43" TR-TR HOSE ASSY		01
03	0501080103	1/2" X 47" TR-TR HOSE		01
04	0501080030	1/2" X 53.15" TR-TC HOSE		02
05	0501080039	1/2 X 1350 TR-TR HOSE ASSY		02
06	0501080854	1/2" X 141" TR-TR HOSE ASSY		01
07	0501080287	1/2" X 141" TR-TR HOSE ASSY		01
08	0501080855	1/2" X 180" TR-TM HOSE ASSY		02
09	0501080291	1/2" X 208" TR-TM HOSE ASSY		02
10	0503013055	"T" ADAPTOR WITH GIRAT NUT		03
11	0501052389	COMPLETE FLOW DIVIDER VALVE	10	01
12	0501042903	DISCHARGE VALVE ASSY		01
13	0511064472	OUTER TUBE OF THE CARRYING-WEELS		01
14	0511064471	INNER TUBE OF THE CARRYING-WEELS		01
15	0501010590	NIPPLE		07
16	0531018426	7/8" X 7/8" NIPPLE REDUCTION		01

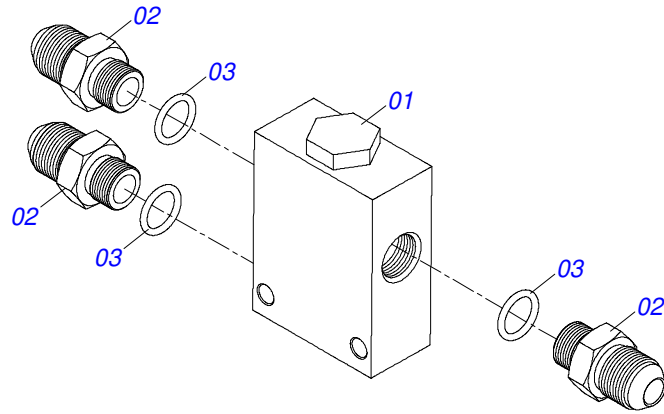


Item	Code	Description	See page	QT
01	0502012415	HOUSING BEARING		01
02	0503010118	32218 BEARING		02
03	0502040119	SEAL RETAINER		02
04	0503030029	RETAINER LP JB-259		02
05	0502040039	AXLE		01
06	0503030537	8.3" X 6.3" X 0.01" JOINT		02
07	0503030687	8.3" X 6.3" X 0.004" JOINT		01
08	0502010644	HOUSING CAP DM		01
09	0503010019	1/2" SPRING WASHER		06
10	0503010920	1/2 UNC X 1.1/2 C S G.5 ZN BOLT		06
11	0502040165	INNER FLANGE		01
12	0502040164	OUTER FLANGE		01
13	0511017302	FLAT WASHER 13,50 X 32,50 X 3,0 ZN		04
14	0503010019	1/2" SPRING WASHER		04
15	0503010834	1/2 X 1 BOLT		04
16	0503010856	OIL PLUG		02
17	0521062889	PROTECTION CAP		01
18	3402301247	MINERAL OIL GREASE		01



Item	Code	Description	See page	QT
01	0501010617	3/4" NIPPLE		06
02	0503010190	2-114 N 3006-9B O'RING		06
03	0503012172	1.97"-1.97" FLOW DIVIDING VALVE		01





Item	Code	Description	See page	QT
01	0503012481	FLOW DIVIDING VALVE		01
02	0503030923	3/4" UNF X 13/16UN OFS X 40 NIPPLE		03
03	0503010190	2-114 N 3006-9B O'RING		03





**MARCHESAN**

**Technical Publications | Elaboration and Revision**

JOSÉ DOMINGOS GASPARI

[www.marchesan.com.br](http://www.marchesan.com.br)

