

**CULTIVATORS**

**CPD - 01/02/03/04/05/06/07/08/09/10/12D**

**Code:** 0501090706  
**Series:** S-0802  
**Revision:** 00  
**Date Revision:** DEZEMBRO/2021

# **PARTS CATALOGUE**



**MARCHESAN**



# PRODUCTS

Code	Description
0109021144	CPD 1DDD 2,30 2CD S-0802
0109020835	CPD 2DDD 2,30 1 CD S-0802
0109021165	CPD 2DDD 2,30 1 CD C/MEX/FRISO 280 S-0802
0109020834	CPD 2DDD 2,30 1 CS S-0802
0109021006	CPD 2DDD 2,30 2CD S-0802
0109021088	CPD 2DDD 2,30 2CD C/MEX S-0802
0109021065	CPD 2DDD 2,80 2CD S-0802
0109021086	CPD 2DDD 3,20 2CD S-0802
0109021124	CPD 2DDD 3,70 2CD C/MEXEDOR S-0802
0109020998	CPD 2DDD 5,50 2 CD S-0802
0109021007	CPD 3DDD 2,80 3CD S-0802
0109021121	CPD 3DDD 2,80 3CD C/FRISO S-0802
0109021051	CPD 3DDD 3,20 3CD S-0802
0109021104	CPD 3DDD 3,20 3CD C/FRISO S-0802
0109021083	CPD 3DDD 3,20 3CD C/MEXEDOR S-0802
0109021119	CPD 3DDD 4,20 3CD S-0802
0109020837	CPD 4DDD 2,30 2 CD S-0802
0109020865	CPD 4DDD 2,30 2 CD C/MEX S-0802
0109021122	CPD 4DDD 2,30 2 CD C/MEX/FRIS S802
0109020836	CPD 4DDD 2,30 2 CS S-0802
0109020864	CPD 4DDD 2,30 2 CS C/MEX S-0802
0109020841	CPD 4DDD 2,80 2 CD S-0802
0109021066	CPD 4DDD 2,80 2 CD C/FRIS C/MEXED
0109021046	CPD 4DDD 2,80 2 CD C/FRISO S-0802
0109020869	CPD 4DDD 2,80 2 CD C/MEX S-0802
0109020840	CPD 4DDD 2,80 2 CS S-0802
0109020868	CPD 4DDD 2,80 2 CS C/MEX S-0802
0109021000	CPD 4DDD 3,20 2CD S-0802
0109021020	CPD 4DDD 3,20 2CD C/MEX S-0802
0109021053	CPD 4DDD 3,20 4 CD S-0802

## ATTENTION: IMPORTANT

Marchesan S.A. reserves the right to improve and / or modify the technical features of its products, without obligation to do the same with those products already sold and without prior knowledge of the dealer or the consumer.



# PRODUCTS

0109021074	CPD 4DDD 3,20 4 CD C/MEX	S-0802
0109020845	CPD 4DDD 3,70 2 CD	S-0802
0109021078	CPD 4DDD 3,70 2 CD C/FRISO	S-0802
0109020873	CPD 4DDD 3,70 2 CD C/MEX	S-0802
0109020844	CPD 4DDD 3,70 2 CS	S-0802
0109020872	CPD 4DDD 3,70 2 CS C/MEX	S-0802
0109020847	CPD 4DDD 3,70 4 CD	S-0802
0109021037	CPD 4DDD 3,70 4 CD C/FRISO	S-0802
0109020875	CPD 4DDD 3,70 4 CD C/MEX	S-0802
0109021052	CPD 4DDD 3,70 4 CD C/MEX FRIS	S802
0109020846	CPD 4DDD 3,70 4 CS	S-0802
0109021009	CPD 4DDD 3,70 4CD	S-0802
0109021102	CPD 4DDD 4,20 2 CD	S-0802
0109021049	CPD 4DDD 4,20 4CD	S-0802
0109021115	CPD 4DDD 4,20 4CD C/FRISO	S-0802
0109021095	CPD 5DDD 3,20 3 CD	S-0802
0109021075	CPD 5DDD 3,70 4 CD C/FRISO	S-0802
0109021126	CPD 5DDD 3,70 4 CD C/MEXEDOR	S-802
0109021072	CPD 5DDD 3,70 5 CD ESP 720MM	S-802
0109021010	CPD 5DDD 4,20 3CD	S-0802
0109020851	CPD 5DDD 4,20 5 CD	S-0802
0109021055	CPD 5DDD 4,20 5 CD C/FRISO	S-0802
0109020879	CPD 5DDD 4,20 5 CD C/MEX	S-0802
0109020850	CPD 5DDD 4,20 5 CS	S-0802
0109021031	CPD 5DDD 4,60 5 CD C/MEX	S-0802
0109021002	CPD 5DDD 4,60 5CD	S-0802
0109021012	CPD 5DDD 5,50 5CD	S-0802
0109020839	CPD 6DDD 2,80 3 CD	S-0802
0109020867	CPD 6DDD 2,80 3 CD C/MEX	S-0802
0109020838	CPD 6DDD 2,80 3 CS	S-0802
0109020843	CPD 6DDD 3,20 3 CD	S-0802

## ATTENTION: IMPORTANT

Marchesan S.A. reserves the right to improve and / or modify the technical features of its products, without obligation to do the same with those products already sold and without prior knowledge of the dealer or the consumer.



# PRODUCTS

0109021048	CPD 6DDD 3,20 3 CD C/FRISO S-0802
0109020871	CPD 6DDD 3,20 3 CD C/MEX S-0802
0109021087	CPD 6DDD 3,20 3 CD C/MEX/FRIS S802
0109020842	CPD 6DDD 3,20 3 CS S-0802
0109020870	CPD 6DDD 3,20 3 CS C/MEX S-0802
0109021130	CPD 6DDD 3,70 3 CD S-0802
0109021073	CPD 6DDD 3,70 3 CD C/FRISO S-0802
0109021025	CPD 6DDD 3,70 3 CD C/MEX S-0802
0109021026	CPD 6DDD 4,20 3 CD C/MEX S-0802
0109021015	CPD 6DDD 4,20 3CD S-0802
0109021001	CPD 6DDD 4,20 3CD S-0802
0109021039	CPD 6DDD 4,20 5CD S-0802
0109021116	CPD 6DDD 4,20 6 CD S-0802
0109021014	CPD 6DDD 4,60 3CD S-0802
0109021064	CPD 6DDD 4,60 3CD C/MEX FRIS S-802
0109021125	CPD 6DDD 4,60 6 CD S-0802
0109020857	CPD 6DDD 5,50 3 CD S-0802
0109020885	CPD 6DDD 5,50 3 CD C/MEX S-0802
0109020856	CPD 6DDD 5,50 3 CS S-0802
0109020859	CPD 6DDD 5,50 6 CD S-0802
0109021103	CPD 6DDD 5,50 6 CD C/FRISO S-0802
0109020887	CPD 6DDD 5,50 6 CD C/MEX S-0802
0109020858	CPD 6DDD 5,50 6 CS S-0802
0109021107	CPD 6DDD 5,50 6 CS C/MEX/FRIS S802
0109021054	CPD 7DDD 5,50 7CD S-0802
0109021120	CPD 8DDD 3,20 4 CD S-0802
0109020849	CPD 8DDD 3,70 4 CD S-0802
0109021079	CPD 8DDD 3,70 4 CD C/FRIS/MEX S802
0109021045	CPD 8DDD 3,70 4 CD C/FRISO S-0802
0109020877	CPD 8DDD 3,70 4 CD C/MEX S-0802
0109020848	CPD 8DDD 3,70 4 CS S-0802

## ATTENTION: IMPORTANT

Marchesan S.A. reserves the right to improve and / or modify the technical features of its products, without obligation to do the same with those products already sold and without prior knowledge of the dealer or the consumer.



# PRODUCTS

0109020876	CPD 8DDD 3,70 4 CS C/MEX S-0802
0109020999	CPD 8DDD 4,20 4CD S-0802
0109021137	CPD 8DDD 4,20 4CD C/FRISO S-0802
0109021070	CPD 8DDD 4,20 4CD C/MEX S-0802
0109021097	CPD 8DDD 4,60 4 CD C/FRIS/MEX S802
0109021003	CPD 8DDD 5,50 4 CD C/MEX S-0802
0109021016	CPD 8DDD 5,50 4CD S-0802
0109021157	CPD 8DDD 5,50 4CD C/FRISO S-0802
0109020853	CPD 10DDD 4,20 5 CD S-0802
0109021047	CPD 10DDD 4,20 5 CD C/FRISO S-0802
0109020881	CPD 10DDD 4,20 5 CD C/MEX S-0802
0109020852	CPD 10DDD 4,20 5 CS S-0802
0109020855	CPD 10DDD 4,60 5 CD S-0802
0109021044	CPD 10DDD 4,60 5 CD C/FRISO S-0802
0109020883	CPD 10DDD 4,60 5 CD C/MEX S-0802
0109020854	CPD 10DDD 4,60 5 CS S-0802
0109020882	CPD 10DDD 4,60 5 CS C/MEX S-0802
0109021138	CPD 10DDD 4,60 5CD C/FRISO/MEX S802
0109021017	CPD 10DDD 5,50 5CD S-0802
0109021019	CPD 10DDD 5,50 5CD C/MEXEDOR S-0802
0109020861	CPD 12DDD 5,50 6 CD S-0802
0109021041	CPD 12DDD 5,50 6 CD C/FRISO S-0802
0109020889	CPD 12DDD 5,50 6 CD C/MEX S-0802
0109020860	CPD 12DDD 5,50 6 CS S-0802
0109021150	CPD 12DDD 5,50 6CD C/ME S/CHAS S802
0109021164	CPD 3DDD 2,80 3CD C/FRISO 280 C/MEX S-0802
0109021135	CPD 3DDD 2,80 3CD C/FRISOC/MEX S802
0109021153	CPD 3DDD 2,80 3CD C/MEXEDOR S-0802
0109021056	CPD 4DDD 2,80 2 CD C/MEX FRIS S-802
0109021059	CPD 4DDD 2,80 2 CD C/MEX FRIS S-802
0109021133	CPD 4DDD 5,50 4CD C/MEX S-0802

## ATTENTION: IMPORTANT

Marchesan S.A. reserves the right to improve and / or modify the technical features of its products, without obligation to do the same with those products already sold and without prior knowledge of the dealer or the consumer.



# PRODUCTS

0109021131	CPD 5 DDD 5,50 5CD C/MEX S-0802
0109021140	CPD 6DDD 4,60 5 CD S-0802
0109021156	CPD 6DDD 4,60 6CD C/MEX E-800 S0802
0109021071	CPD 7DDD 5,50 6CD C/MEX/FRISO S-802
0109021132	CPD 7DDD 5.50 7 CD C/MEX S-0802
0109021166	CPD 8DDD 3,70 4 CD C/FRIS 280 C/MEX S802
0109021148	CPD 8DDD 4,20 5CD S-0802
0109021151	CPD 9 DDD 4,20 5CD C/MEX/FRISO S802
0109020893	CPD S/DDD 2,30 2 CD C/MEX S-0802
0109020897	CPD S/DDD 2,80 2 CD C/MEX S-0802
0109021143	CPD S/DDD 2,80 3 CD S-0802
0109020895	CPD S/DDD 2,80 3 CD C/MEX S-0802
0109021128	CPD S/DDD 3,20 2CD C/MEX S-0802
0109020899	CPD S/DDD 3,20 3 CD C/MEX S-0802
0109020901	CPD S/DDD 3,70 2 CD C/MEX S-0802
0109021085	CPD S/DDD 3,70 3 CD C/MEX S-0802
0109021080	CPD S/DDD 3,70 4 CD S-0802
0109020903	CPD S/DDD 3,70 4 CD C/MEX S-0802
0109021158	CPD S/DDD 4,20 3 CD C/MEX S-0802
0109021081	CPD S/DDD 4,20 4 CD S-0802
0109021160	CPD S/DDD 4,20 4 CD C/MEX S-0802
0109020905	CPD S/DDD 4,20 5 CD C/MEX S-0802
0109020907	CPD S/DDD 4,60 5 CD C/MEX S-0802
0109020909	CPD S/DDD 5,50 3 CD C/MEX S-0802
0109021089	CPD S/DDD 5,50 4 CD C/MEX S-0802
0109021109	CPD S/DDD 5,50 5 CD C/MEX S-0802
0109020911	CPD S/DDD 5,50 6 CD C/MEX S-0802
0109021136	CPD S/DDD 5,50 7CD C/MEX S-0802

## ATTENTION: IMPORTANT

Marchesan S.A. reserves the right to improve and / or modify the technical features of its products, without obligation to do the same with those products already sold and without prior knowledge of the dealer or the consumer.



**MARCHESAN**

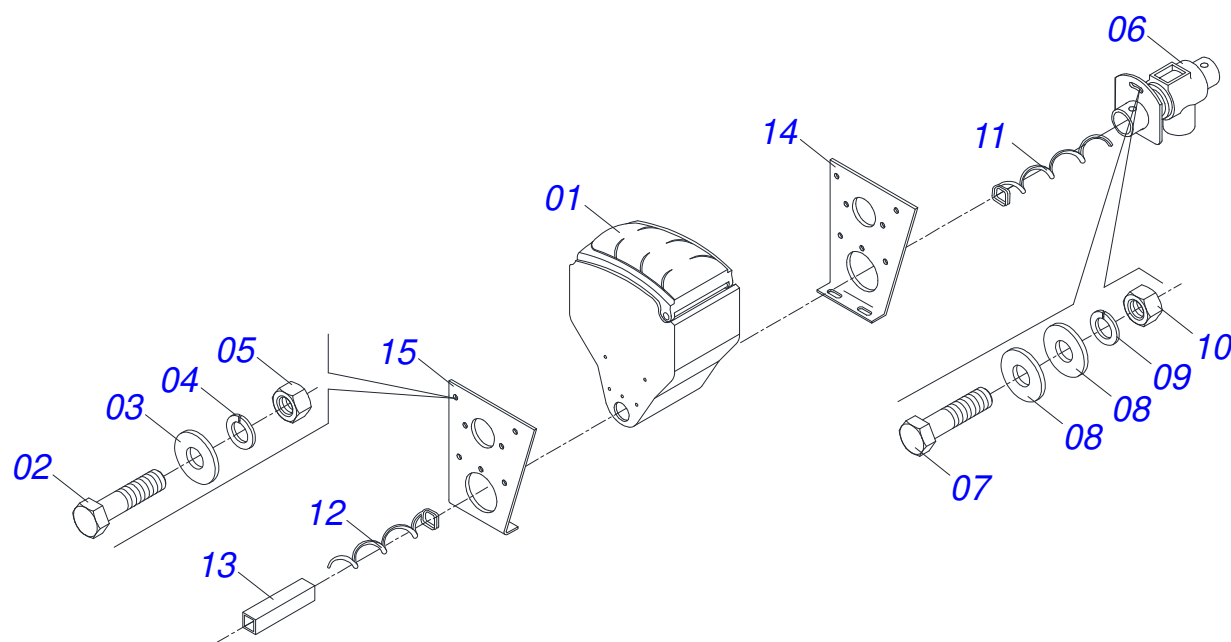
# INDEX

0909092970	FRAME ASSY	.....	1
0501055052	SUPPORTE BOX FERTILIZER SIMPLE	.....	2
0501055053	SUPPORTE BOX FERTILIZER DOBLE	.....	3
0501055055	SUPPORTE ODD BOX FERTILIZER DOBLE	.....	4
0909095579	ASSEMBLY SEED	.....	5
0501053788	Q3/4" FASTENER AXLE ASSY	.....	6
0511040821	CHAIN TENSIONER ASSY	.....	7
0501042390	DRIVE SHAFT	.....	8
0511040626	REDUCTION	.....	9
0501057505	SUPPOT ARM UNAL DOUB-DISC RIGHT	.....	10
0501057506	SUPPOT ARM UNAL DOUB-DISC LEFT	.....	11
0511043967	RH ROW ASSY	.....	12
0511043968	LH ROW ASSY	.....	13
0501044201	RIGHT UNAL DOUBLE-DISC ASSY	.....	14
0501044202	LEFT UNAL DOUBLE-DISC ASSY	.....	15
0501055879		.....	16
0501055880		.....	17
0909092972	MIXER	.....	18

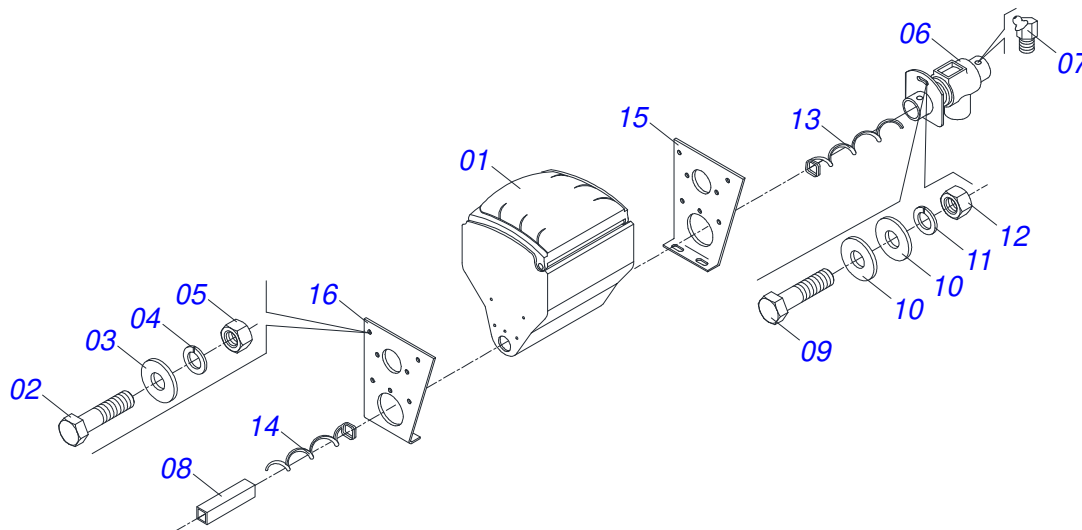




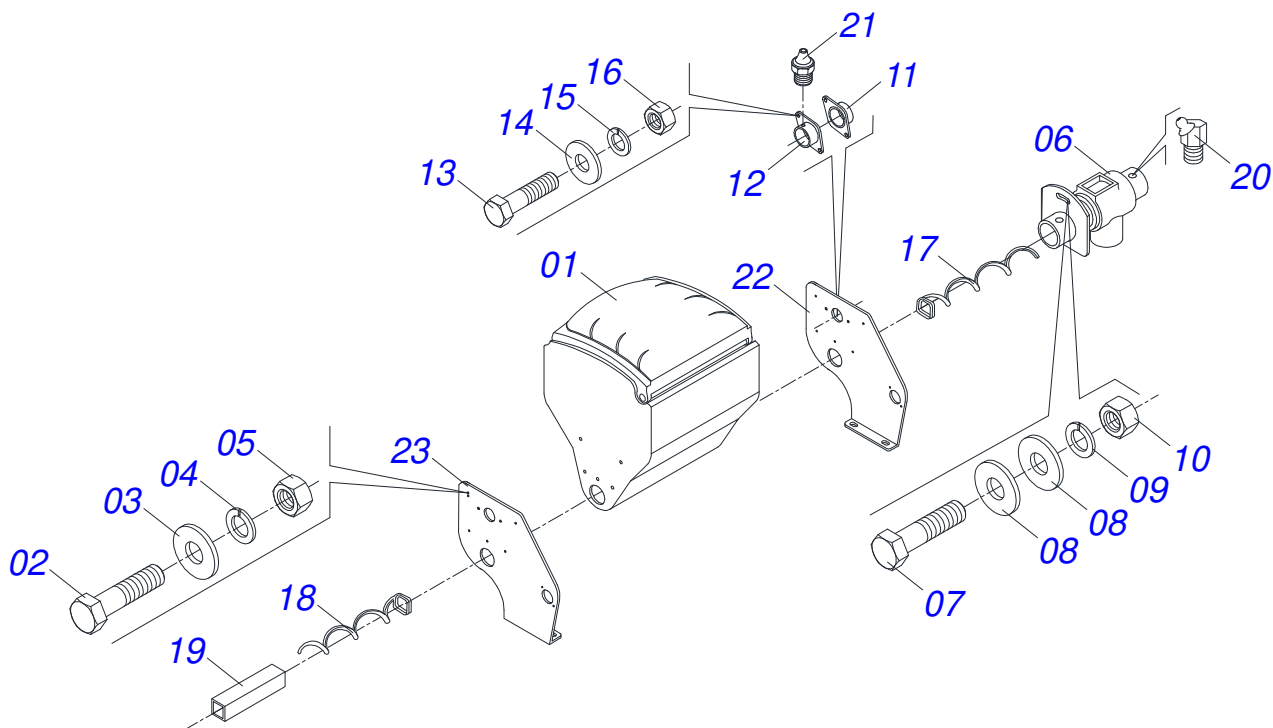




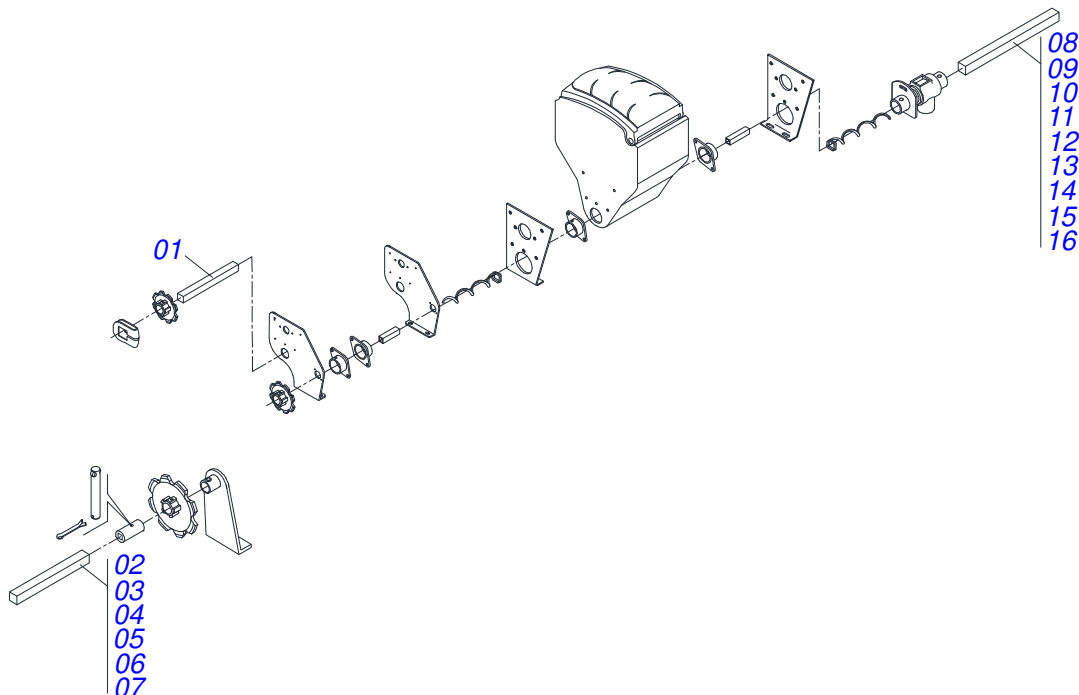
Item	Code	Description	See page	QT
001	0503060644	COVER GREEN BOX FERTILIZER YELLOW		01
002	0503010371	5/16" X 1" BOLT		08
003	0501010984	FLAT WASHER		08
004	0503010179	5/16" ZN SPRING WASHER		08
005	0503010337	5/16" NUT		08
006	0501110141	SOCKET		02
007	0503010421	5/16" X 1-1/2" BOLT		02
008	0501010984	FLAT WASHER		04
009	0503010179	5/16" ZN SPRING WASHER		02
010	0503010337	5/16" NUT		02
011	0503031171	RIGHT HELICAL CONDUTOR		01
012	0503031172	LEFT HELICAL CONDUTOR		01
013	0511014217	0.8" X 2" SQUARE SLEEVE		01
014	0511013459	BOX SUPPORT RIGHT		01
015	0511013460	BOX SUPPORT LEFT		01



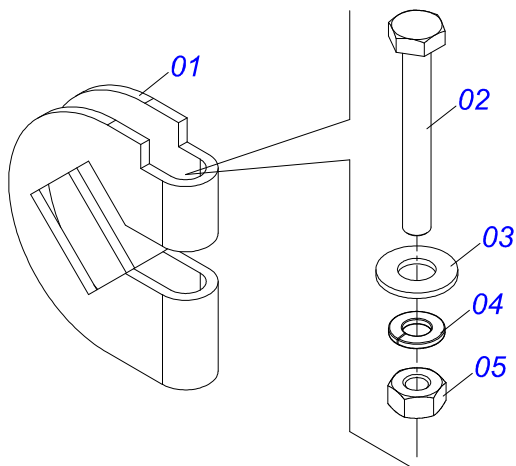
Item	Code	Description	See page	QT
001	0503060645	COVER GREEN BOX FERTIL DOBL YELLOW		01
002	0503010371	5/16" X 1" BOLT		08
003	0501010984	FLAT WASHER		08
004	0503010179	5/16" ZN SPRING WASHER		08
005	0503010337	5/16" NUT		08
006	0501110141	SOCKET		02
007	0503010003	1845 GREASE FITTING		02
008	0511014217	0.8" X 2" SQUARE SLEEVE		01
009	0503010421	5/16" X 1-1/2" BOLT		02
010	0501010984	FLAT WASHER		04
011	0503010179	5/16" ZN SPRING WASHER		02
012	0503010337	5/16" NUT		02
013	0503031171	RIGHT HELICAL CONDUTOR		01
014	0503031172	LEFT HELICAL CONDUTOR		01
015	0511013459	BOX SUPPORT RIGHT		01
016	0511013460	BOX SUPPORT LEFT		01



Item	Code	Description	See page	QT
001	0503060645	COVER GREEN BOX FERTIL DOBL YELLOW		01
002	0503010371	5/16" X 1" BOLT		08
003	0501010984	FLAT WASHER		08
004	0503010179	5/16" ZN SPRING WASHER		08
005	0503010337	5/16" NUT		08
006	0501110141	SOCKET		02
007	0503010421	5/16" X 1-1/2" BOLT		02
008	0501010984	FLAT WASHER		04
009	0503010179	5/16" ZN SPRING WASHER		02
010	0503010337	5/16" NUT		02
011	0511019411	RH BEARING		01
012	0521010715	LEFT BEARING		01
013	0503010365	NUT		04
014	0511017302	FLAT WASHER		04
015	0503010179	5/16" ZN SPRING WASHER		04
016	0503010337	5/16" NUT		04
017	0503031171	RIGHT HELICAL CONDUTOR		01
018	0503031172	LEFT HELICAL CONDUTOR		01
019	0511014217	0.8" X 2" SQUARE SLEEVE		01
020	0503010003	1845 GREASE FITTING		02
021	0503010691	1/4" GREASE FITTING		02
022	0521012334	ODD FIXER LEFT BOX		01
023	0521012333	ODD FIXER RIGHT BOX		01

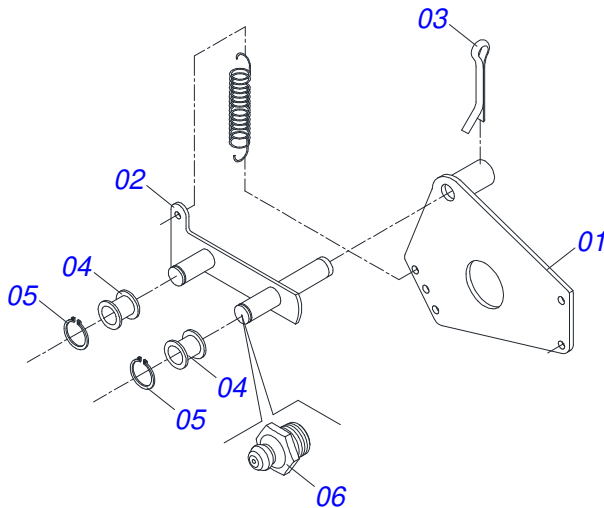


Item	Code	Description	See page	2300	2800	3200	3700	4200	4600	5500
01	0511014218	3/4" X 28.7" SQUARE SHAFT		01	01	01	01	01	01	01
02	0501018653	3/4" X 46" SQUARE SHAFT		01	01	01	00	00	00	00
03	0501018654	3/4" X 41" SQUARE SHAFT		01	01	01	00	00	00	00
04	0501018699	3/4" X 52" SQUARE SHAFT		00	01	00	00	00	00	00
05	0501018700	3/4" X 58" SQUARE SHAFT		00	01	01	01	00	00	00
06	0501018695	3/4" X 63" SQUARE SHAFT		00	00	01	00	00	00	00
07	0501018696	3/4" X 59" SQUARE SHAFT		00	00	01	00	00	00	00
08	0501018699	3/4" X 52" SQUARE SHAFT		00	00	01	00	00	00	00
09	0501018697	3/4" X 69" SQUARE SHAFT		00	00	01	01	00	00	00
10	0501018698	3/4" X 72" SQUARE SHAFT		00	00	01	01	00	00	00
11	0501018701	3/4" X 78" SQUARE SHAFT		00	00	00	00	01	00	00
12	0501018702	3/4" X 82" SQUARE SHAFT		00	00	00	00	01	00	00
13	0511014265	3/4" X 86" SQUARE SHAFT		00	00	00	00	00	02	00
14	0511014264	3/4" X 90" SQUARE SHAFT		00	00	00	00	00	02	00
15	0511014238	3/4" X 104" SQUARE SHAFT		00	00	00	00	00	00	02
16	0511014237	3/4" X 110 SQUARE SHAFT		00	00	00	00	00	00	02



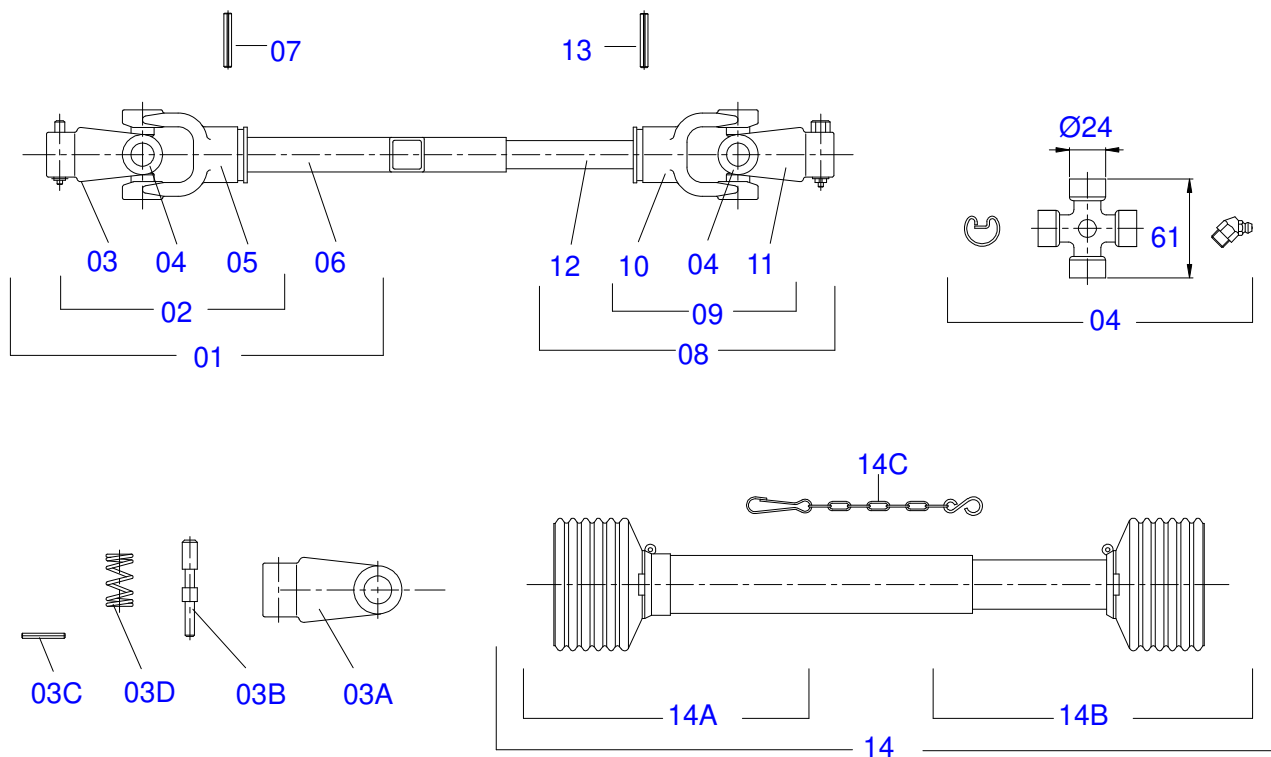
Item	Code	Description	See page	QT
01	0521010691	AXLE FASTENER		01
02	0503010373	SCREW 1/4 UNC X 2 CS G.2 ZN		01
03	0511017303	FLAT WASHER		01
04	0503010143	1/4" SPRING WASHER		01
05	0503010144	1/4" NUT		01

CHAIN TENSIONER ASSY



Item	Code	Description	See page	QT
001	0501064329	CHAIN TENSIONER		01
002	0511063363	CHAIN TENSIONER		01
003	0503010257	1/8" X 1" COTTERPIN		01
004	0503030402	PULLEY		02
005	0503010302	501019 SEAL RING		02
006	0503010002	1800 GREASE FITTING		02

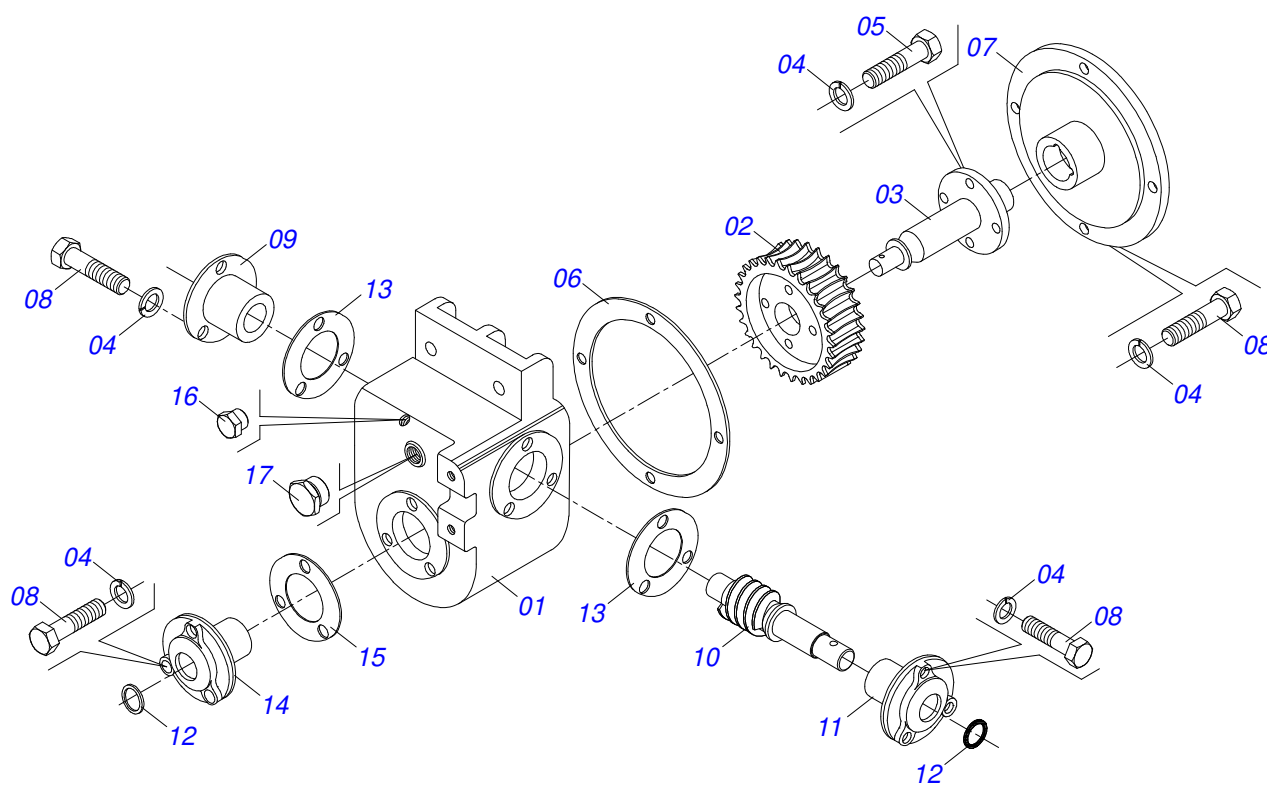
DRIVE SHAFT



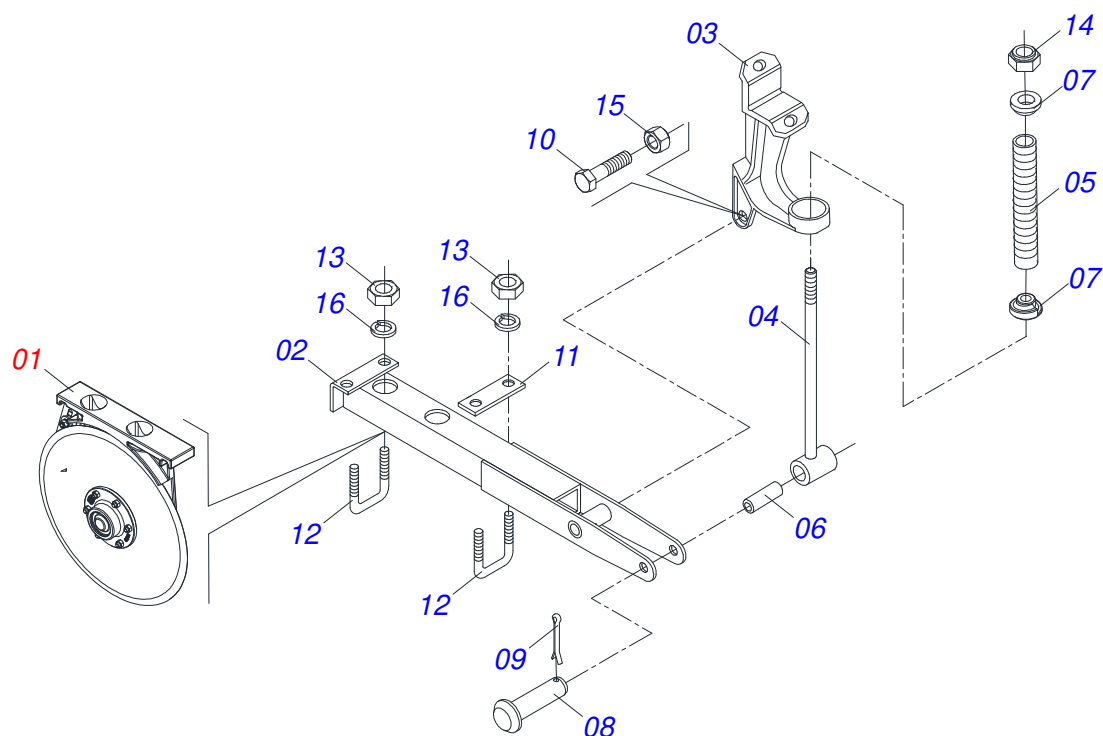
Item	Code	Description	See page	QT
01	0501050255	SLEEVE UNIVERSAL JOINT		01
02	0501050263	UNIVERSAL JOINT		01
03	0501050332	1-20 TERMINAL		01
03A	0502010561	1-20 TERMINAL		01
03B	0521010637	0.5" X 3" COUPLING SHAFT		01
03C	0503010838	0.1" X 0.8" SPRING PIN		01
03D	0503030518	0.5"X1.0"X 0.1" COMPRESSION SPRING		01
04	0503010835	CARDAN CROSSPIECE		02
05	0502010559	2-20 TERMINAL		01
06	0511018902	0.9" X 20" SQUARE SLEEVE		01
07	0503010839	03"X 0.6" SPRING PIN		01
08	0501050257	UNIVERSAL JOINT WITH AXLE		01
09	0501050264	UNIVERSAL JOINT		01
10	0502010562	3-20 TERMINAL		01
11	0502010558	4-20 TERMINAL WITH ROLES		01
12	0511010237	0.9" X 18" SQUARE SHAFT		01
13	0503010301	0.3" X 1.8" SPRING PIN		01
14	0503012089	PROTECTION ASSY		01
14A	0503012090	PROTECTION FOR UNIV JOINT AND SLEEVE		01
14B	0503012091	PROTECTION FOR UNIV JOINT AND AXLE		01
14C	0503012023	CHAIN FOR PROTECTION		01



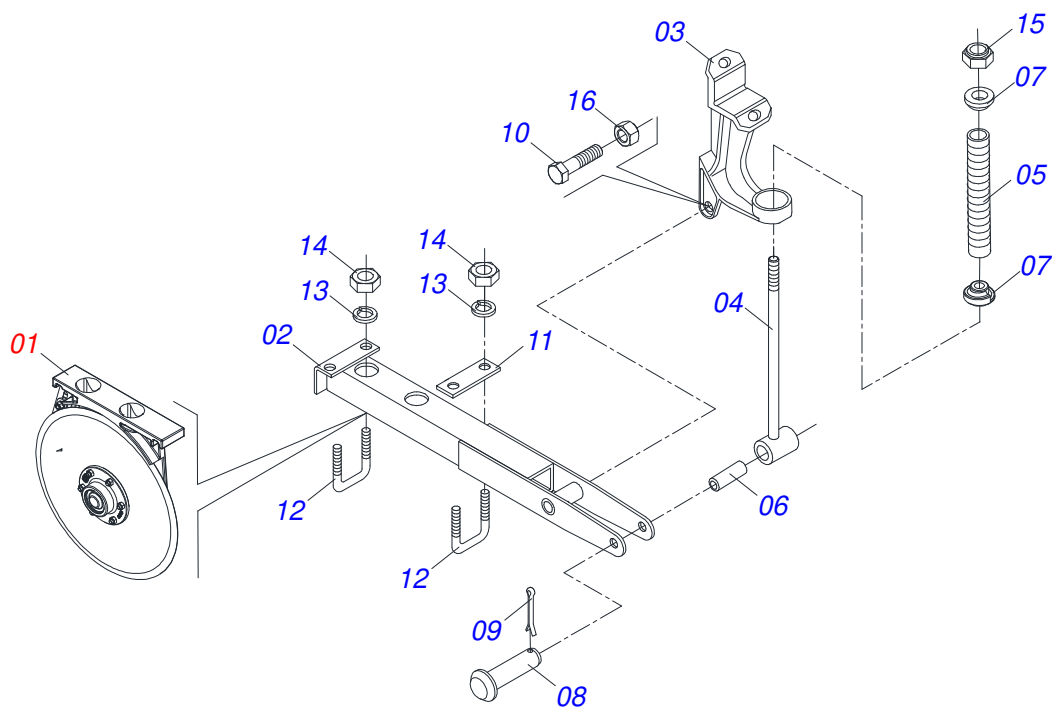
REDUCTION



Item	Code	Description	See page	QT
01	0502020105	REDUCTION BOX	01	
02	0502011557	23Z GEAR	01	
03	0502012008	1.4" FLANGE AXLE	01	
04	0503010025	3/8" SPRING WASHER	17	
05	0503010237	3/8" X 1" BOLT	04	
06	0503030063	7,1" X 5,6" X 0,01" JOINT	02	
07	0502020103	GEAR LARGER COVER	01	
08	0503010751	C3/8" X 1.1/4" HEX BOLT G.5	13	
09	0502020100	COVERS WT HOLE BLIND ENDLESS THREAD	01	
10	0521012280	SCREW THEAD	01	
11	0502020099	COVERS HOLE PASSER ENDLESS THREAD	01	
12	0503010077	SEAL 00284-BR	02	
13	0503030062	3.9" X 2.5" X 0,01" JOINT	04	
14	0502020101	GEAR SMALLER COVER	01	
15	0503030061	3,5" X 1,9" X 0,01" JOINT	02	
16	0511017907	1/8" BSPT X 6 PLUG	01	
17	0503010856	OIL PLUG	01	

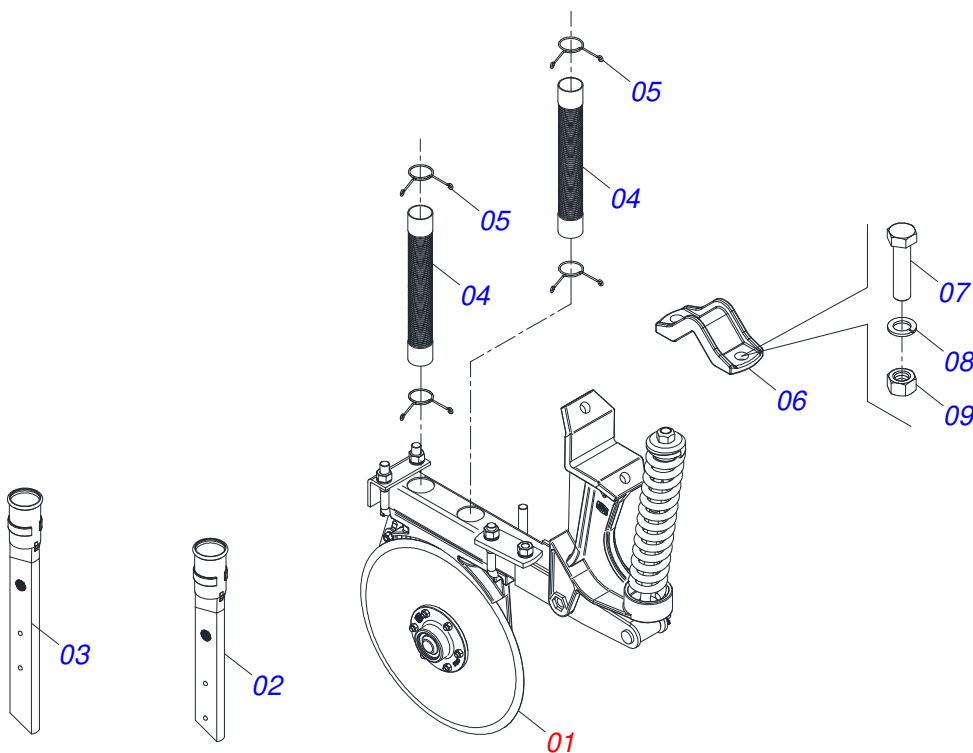


Item	Code	Description	See page	QT
01	0501044201	RIGHT UNAL DOUBLE-DISC ASSY	14	01
02	0511066126	FIXER ARM UNAL DOUBLE-DISC		01
03	0502012182	CPD ROW FIXER		01
04	0511064903	PRING ROD		01
05	0503032798	68,5 X 235 COMPRESSION SPRING		01
06	0551014569	25 X 42 X 150 SLEEVE		01
07	1902020393	SPRING UPPER SUPPORT		02
08	0501011388	COUPLING SHAFT		01
09	0503010300	5/32" X 1" COTTERPIN		01
10	0501810163	SCREW 5/8 UNC X 4.1/2 C S G.5		01
11	0511013899	FIXER PLATE		01
12	0521010684	5/8" UNC X 101 X 80 HOLDER		02
13	0503810013	NUT 5/8 NC		04
14	0503011255	3/4" LOCK NUT		01
15	0503012412	5/8 UNC SELF LOCKING NUT		01
16	0503011445	SPRING WASHER		04



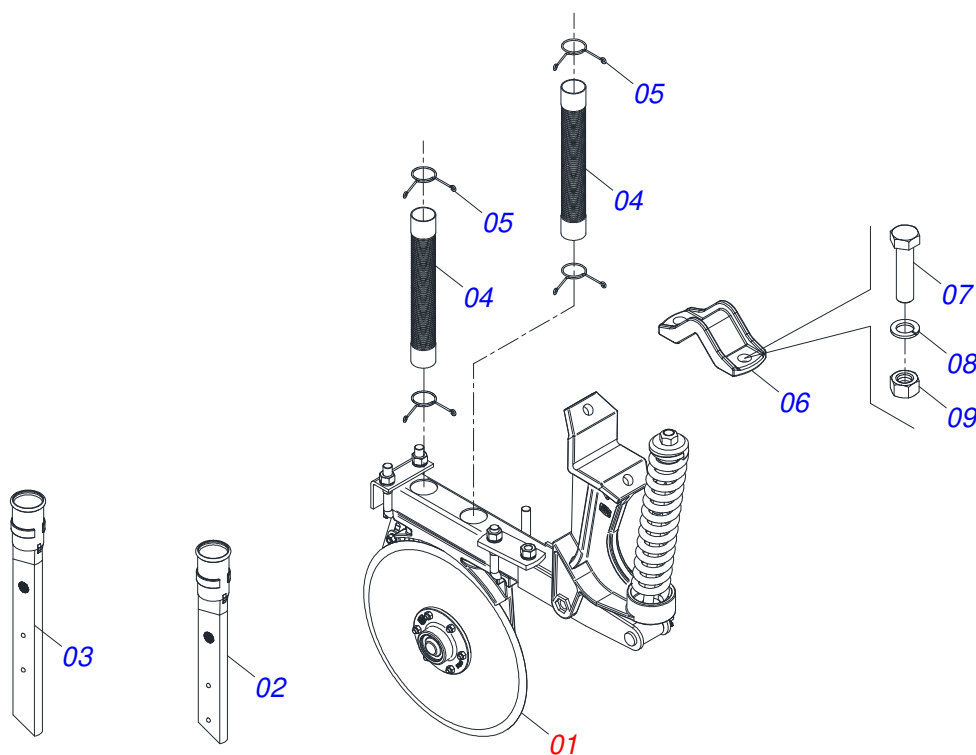
Item	Code	Description	See page	QT
01	0501044202	LEFT UNAL DOUBLE-DISC ASSY	15	01
02	0511066126	FIXER ARM UNAL DOUBLE-DISC		01
03	0502012182	CPD ROW FIXER		01
04	0511064903	PRING ROD		01
05	0503032798	68,5 X 235 COMPRESSION SPRING		01
06	0551014569	25 X 42 X 150 SLEEVE		01
07	1902020393	SPRING UPPER SUPPORT		02
08	0501011388	COUPLING SHAFT		01
09	0503010300	5/32" X 1" COTTERPIN		01
10	0501810163	SCREW 5/8 UNC X 4.1/2 C S G.5		01
11	0511013899	FIXER PLATE		01
12	0521810684	FASTENER		02
13	0503010027	5/8" SPRING WASHER		04
14	0503010013	5/8" NUT		04
15	0503011255	3/4" LOCK NUT		01
16	0503012412	5/8 UNC SELF LOCKING NUT		01

RH ROW ASSY



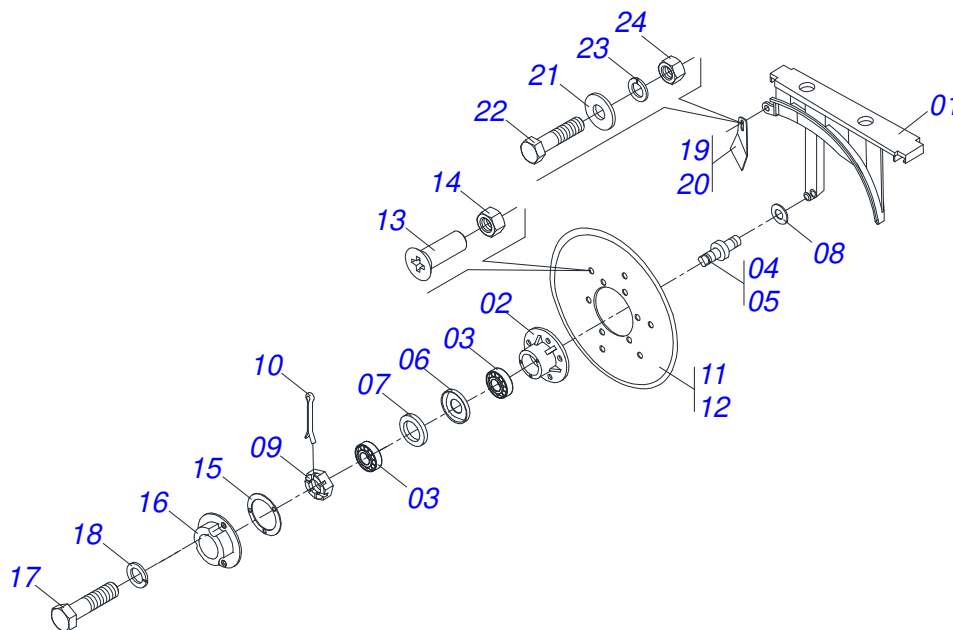
Item	Code	Description	See page	QT
01	0501055879		16	01
02	0503030483	FERTILIZER SOCKET		01
03	0503030520	SEED SOCKET		01
04	0503030408	2X2X390 HOSE		02
05	0503031076	2" HOSE CLAMP		04
06	0502010819	TRACTOR HITCH FIXER		01
07	0501010125	3/4" X 2-1/2" BOLT		02
08	0503010023	3/4" SPRING WASHER		02
09	0503010014	3/4" NUT		02

LH ROW ASSY



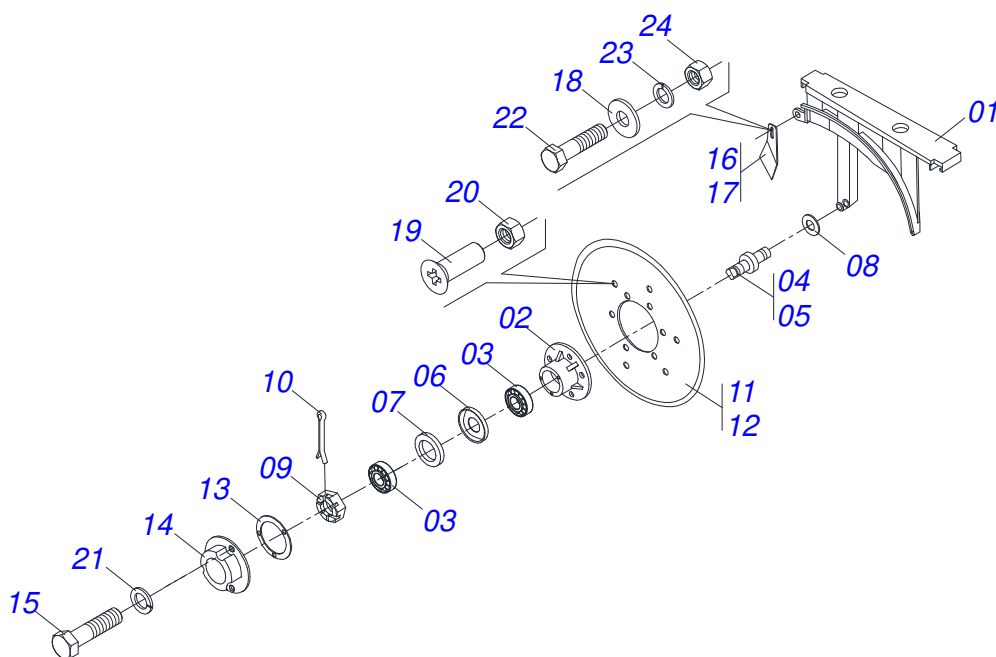
Item	Code	Description	See page	QT
01	0501055880		17	01
02	0503030483	FERTILIZER SOCKET		01
03	0503030520	SEED SOCKET		01
04	0503030408	2X2X390 HOSE		02
05	0503031076	2" HOSE CLAMP		04
06	0502010819	TRACTOR HITCH FIXER		01
07	0501010125	3/4" X 2-1/2" BOLT		02
08	0503010023	3/4" SPRING WASHER		02
09	0503010014	3/4" NUT		02

RIGHT UNAL DOUBLE-DISC ASSY

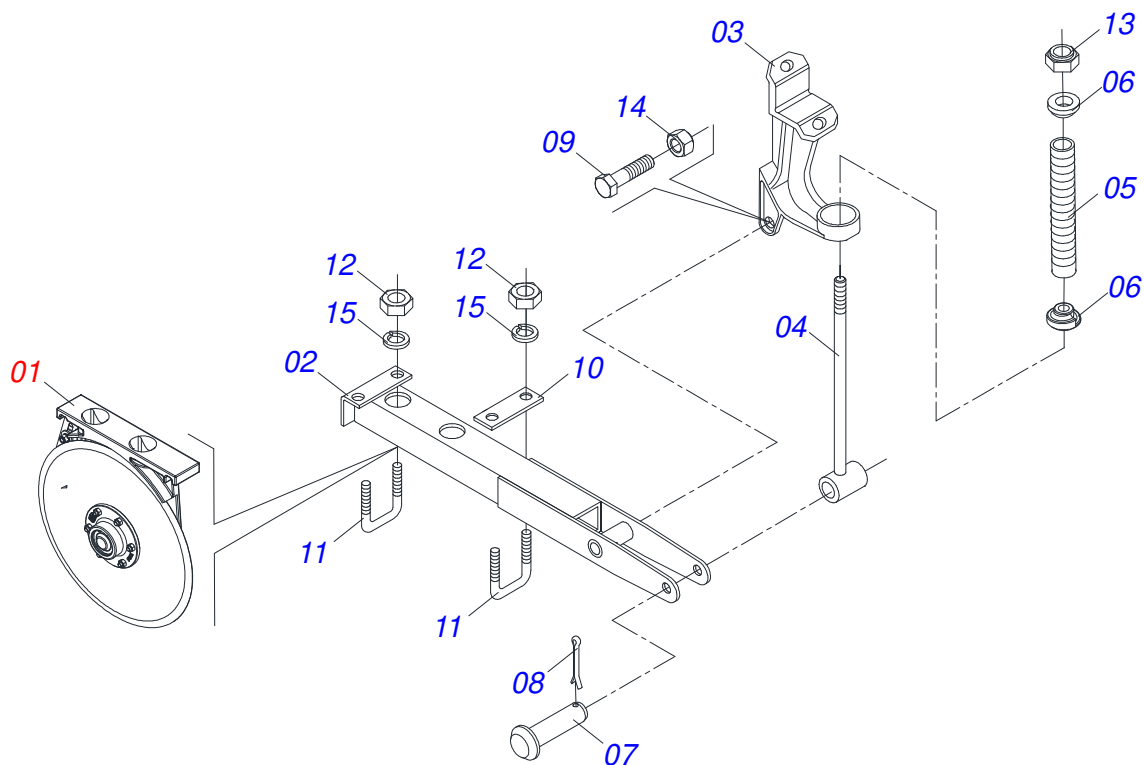


Item	Code	Description	See page	QT
001	0502010628	RIGHT UNIAL DISC DOUBLE SUPPORT		01
002	0502011930	DOUBLE DISC COULTER BOX		02
003	0503010598	30204 BALL BEARING		04
004	0521019148	LEFT DOUBLE DISC HUB		01
005	0521019154	RIGHT DOUB DISC HUB		01
006	0511011927	DUST CLOAK		02
007	0503011112	SEAL 02376-BRG		02
008	0511015098	FLAT WASHER		06
009	0503030282	3/4" CASTLE NUT		02
010	0503010257	1/8" X 1" COTTERPIN		02
011	0603020079	13" X 3.5 MM PLAIN COULTER BLADE		01
012	0603022024	15" X 0.2" C1,2 PLAIN COULTER BLADE		01
013	0503010546	5/16" X 7/8" BOLT		12
014	0503010337	5/16" NUT		12
015	0503030757	2.9" X 2" X 0.02" JOINT		02
016	0521019178	COVER DEPTH		02
017	0503014729	1/4" UNF X 1/2" BOLT		06
018	0503011441	SPRING WASHER		06
019	0501017541	RIGHT DOUBLE DISC SCRAPER		01
020	0501017542	LH DOUBLE DISC SCRAPER		01
021	0501010984	FLAT WASHER		02
022	0503010751	C3/8" X 1.1/4" HEX BOLT G.5		01
023	0503011443	3/8" SPRING WASHER		01
024	0503010026	3/8" NUT		01

LEFT UNAL DOUBLE-DISC ASSY

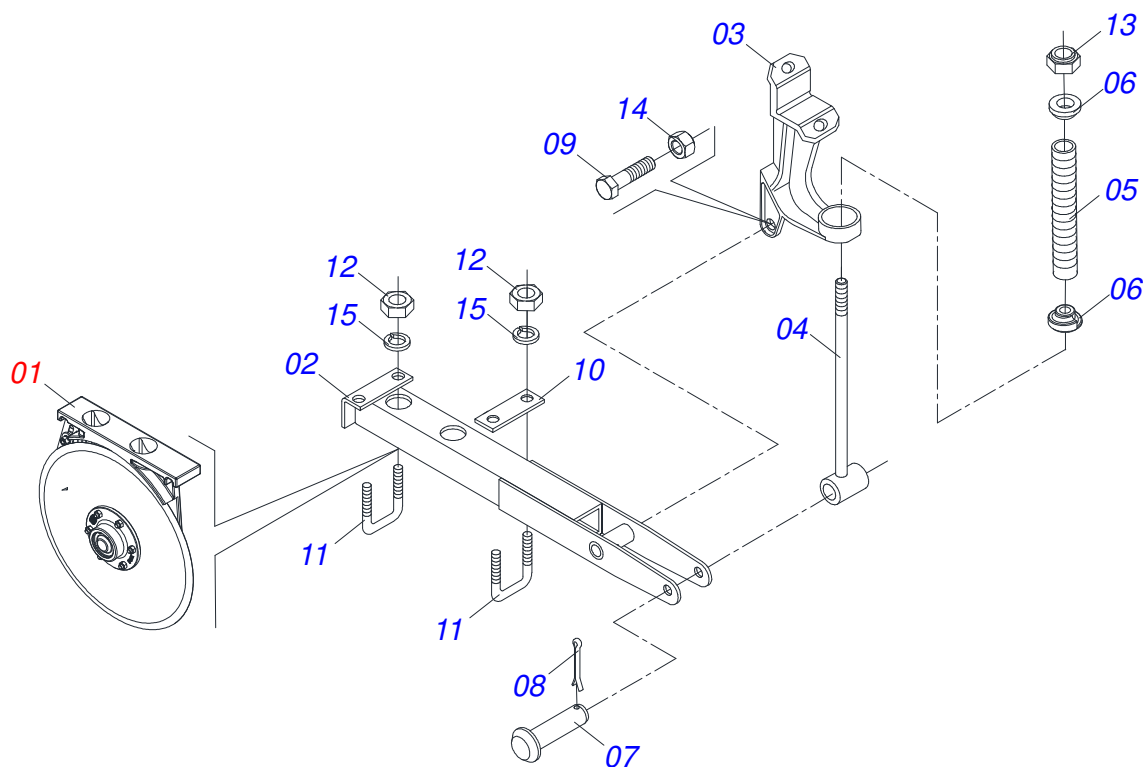


Item	Code	Description	See page	QT
01	0502010550	LH UNIAL DISC DOUBLE SUPPORT		01
02	0502011930	DOUBLE DISC COULTER BOX		02
03	0503010598	30204 BALL BEARING		04
04	0521019148	LEFT DOUBLE DISC HUB		01
05	0521019154	RIGHT DOUB DISC HUB		01
06	0511011927	DUST CLOAK		02
07	0503011112	SEAL 02376-BRG		02
08	0511015098	FLAT WASHER		02
09	0503030282	3/4" CASTLE NUT		02
10	0503010257	1/8" X 1" COTTERPIN		02
11	0603020079	13" X 3.5 MM PLAIN COULTER BLADE		01
12	0603022024	15" X 0.2" C1,2 PLAIN COULTER BLADE		01
13	0503030757	2.9" X 2" X 0.02" JOINT		02
14	0521019178	COVER DEPTH		02
15	0503014729	1/4" UNF X 1/2" BOLT		06
16	0501017541	RIGHT DOUBLE DISC SCRAPER		01
17	0501017542	LH DOUBLE DISC SCRAPER		01
18	0501010984	FLAT WASHER		02
19	0503010546	5/16" X 7/8" BOLT		12
20	0503010337	5/16" NUT		12
21	0503011441	SPRING WASHER		06
22	0503010751	C3/8" X 1.1/4" HEX BOLT G.5		01
23	0503011443	3/8" SPRING WASHER		01
24	0503010026	3/8" NUT		01



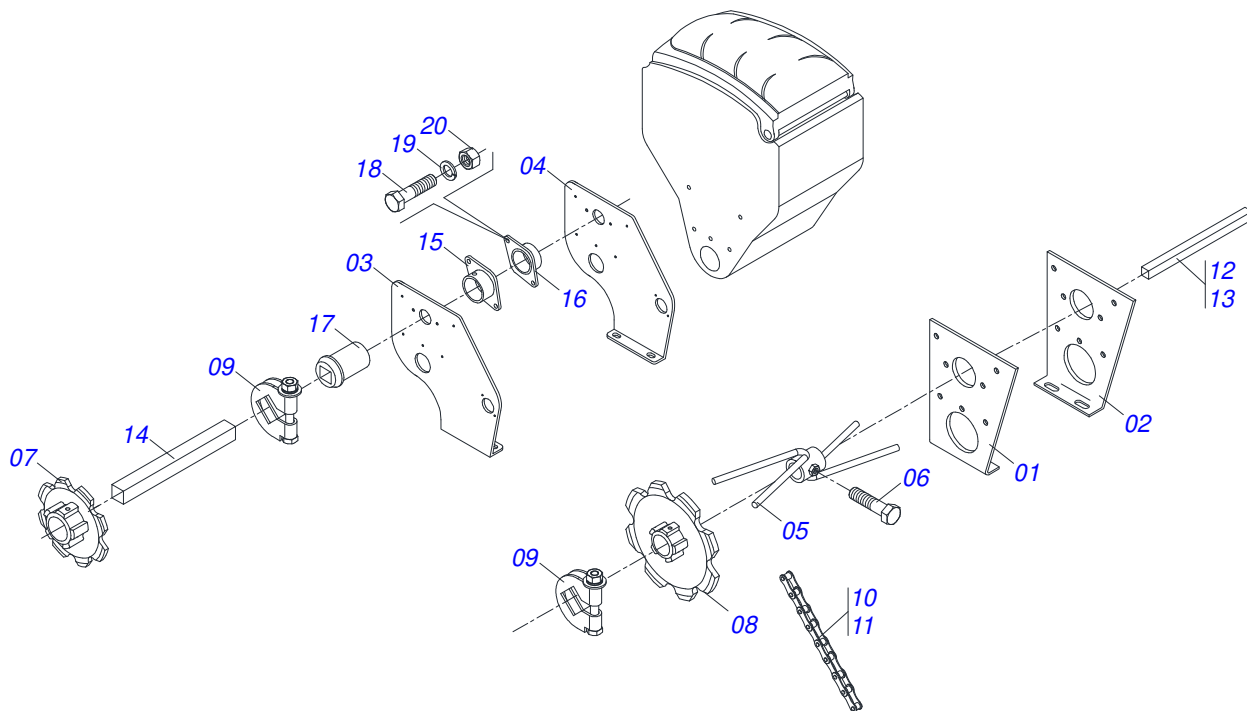
Item	Code	Description	See page	QT
01	0501044201	RIGHT UNAL DOUBLE-DISC ASSY	14	01
02	0511066126	FIXER ARM UNAL DOUBLE-DISC		01
03	0502012182	CPD ROW FIXER		01
04	0511064903	PRING ROD		01
05	0503032798	68,5 X 235 COMPRESSION SPRING		01
06	1902020393	SPRING UPPER SUPPORT		02
07	0501011388	COUPLING SHAFT		01
08	0503010300	5/32" X 1" COTTERPIN		01
09	0501810163	SCREW 5/8 UNC X 4.1/2 C S G.5		01
10	0511013899	FIXER PLATE		01
11	0521010684	5/8" UNC X 101 X 80 HOLDER		02
12	0503810013	NUT 5/8 NC		04
13	0503011255	3/4" LOCK NUT		01
14	0503012412	5/8 UNC SELF LOCKING NUT		01
15	0503011445	SPRING WASHER		04





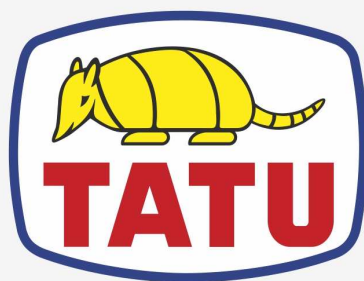
Item	Code	Description	See page	QT
01	0501044202	LEFT UNAL DOUBLE-DISC ASSY	15	01
02	0511066126	FIXER ARM UNAL DOUBLE-DISC		01
03	0502012182	CPD ROW FIXER		01
04	0511064903	PRING ROD		01
05	0503032798	68,5 X 235 COMPRESSION SPRING		01
06	1902020393	SPRING UPPER SUPPORT		02
07	0501011388	COUPLING SHAFT		01
08	0503010300	5/32" X 1" COTTERPIN		01
09	0501810163	SCREW 5/8 UNC X 4.1/2 C S G.5		01
10	0511013899	FIXER PLATE		01
11	0521010684	5/8" UNC X 101 X 80 HOLDER		02
12	0503810013	NUT 5/8 NC		04
13	0503011255	3/4" LOCK NUT		01
14	0503012412	5/8 UNC SELF LOCKING NUT		01
15	0503010027	5/8" SPRING WASHER		04

MIXER



Item	Code	Description	See page	DIR	ESQ
01	0511013459	BOX SUPPORT RIGHT		01	01
02	0511013460	BOX SUPPORT LEFT		01	01
03	0521012333	ODD FIXER RIGHT BOX		01	00
04	0521012334	ODD FIXER LEFT BOX		01	00
05	0501068529	MEXEDOR BODY		03	06
06	0503010237	3/8" X 1" BOLT		03	06
07	0502011315	8Z P 1.2" SH 3/4" GEAR		02	02
08	0502011349	18Z P 1.2" SH 3/4" GEAR		02	02
09	0501053788	Q3/4" FASTENER AXLE ASSY	6	04	04
10	0503011263	2050 CHAIN X 22 LINK + REDUCTION		02	02
11	0503010450	2050 CHAIN X 30 LINK + REDUCTION		00	01
12	0511014238	3/4" X 104" SQUARE SHAFT		00	02
13	0511014237	3/4" X 110 SQUARE SHAFT		00	02
14	0511014218	3/4" X 28.7"SQUARE SHAFT		03	00
15	0511019411	RH BEARING		03	06
16	0521010715	LEFT BEARING		03	06
17	0502010671	CENTRAL BEARING		12	24
18	0503010365	NUT		12	24
19	0503010179	5/16" ZN SPRING WASHER		12	24
20	0503010337	5/16" NUT		12	24





**MARCHESAN**

**Technical Publications | Elaboration and Revision**

ALESSANDRA PATRICIA KAWAHARA CARRILI

[www.marchesan.com.br](http://www.marchesan.com.br)

