

PARTS CATALOG

ROW CROP PLANTERS

STP2

Code: 0501090685



Series: S-0600

Review: DEZEMBRO/2016

**ORIGINAL PARTS
TATU**



PRODUCTS

Code	Description	
0111010410	STP2 5L 3600 SD B F	S-0600
0111010411	STP2 6L 3600 SD B F	S-0600
0111010412	STP2 2L 1800 SD F B	S-0600
0111010413	STP2 3L 1800 SD F B	S-0600
0111010414	STP2 3L 2800 SD F B	S-0600
0111010415	STP2 4L 2800 SD F B	S-0600
0111010416	STP2 4L 3600 SD F B	S-0600
0111010417	STP2 5L 2800 SD F B	S-0600
0111010418	STP2 5L 3600 SD F B	S-0600
0111010419	STP2 6L 3600 SD F B	S-0600
0111010420	STP2 2L 1800 SD B B	S-0600
0111010421	STP2 3L 1800 SD B B	S-0600
0111010422	STP2 3L 2800 SD B B	S-0600
0111010423	STP2 4L 2800 SD B B	S-0600
0111010424	STP2 4L 3600 SD B B	S-0600
0111010425	STP2 5L 2800 SD B B	S-0600
0111010426	STP2 5L 3600 SD B B	S-0600
0111010427	STP2 6L 3600 SD B B	S-0600
0111010441	STP2 4L 3600 SD F F KE	S-0600
0111010001	STP2 2L 1800 SD F F KE	S-0600
0111010009	STP2 3L 1800 F F S/SIST ADB S793	
0111010010	STP2 4L 2800 SD F B DC S/ML	S-0793
0111010011	STP2 3L 2800 SD F B DC S/ML	S-0793
0111010012	STP2 4L 2800 SD B B S/MA	S-0600
0111010022	STP2 2L 3600 B B	S-0793
0111010025	STP2 3L 3200 SD FB	S-1198
0111010028	STP2 8L 4200 F F	S-0793
0111010080	STP2 2L 1800 F F	S-0793
0111010082	STP2 3L 2800 F F	S-0793
0111010083	STP2 4L 2800 F F	S-0793
0111010084	STP2 4L 3600 F F	S-0793

ATTENTION: **IMPORTANT**

MARCHESAN S/A RESERVES THE RIGHT AT ANY TIME TO MAKE IMPROVEMENTS IN THE DESIGN, MATERIAL OR SPECIFICATIONS OF MACHINERY, EQUIPMENT OR PARTS WITHOUT THEREBY BECOMING LIABLE TO MAKE SIMILAR CHANGES IN MACHINERY, EQUIPMENT OR PARTS PREVIOUSLY SOLD.

PRODUCTS

0111010085	STP2 5L 3600	F F	S-0793
0111010086	STP2 6L 3600	F F	S-0793
0111010087	STP2 2L 1800	F B	S-0793
0111010088	STP2 3L 1800	F B	S-0793
0111010089	STP2 3L 2800	F B	S-0793
0111010090	STP2 4L 2800	F B	S-0793
0111010091	STP2 4L 3600	F B	S-0793
0111010092	STP2 5L 3600	F B	S-0793
0111010101	STP2 2L 1800	B B	S-0793
0111010102	STP2 3L 1800	B B	S-0793
0111010103	STP2 3L 2800	B B	S-0793
0111010104	STP2 4L 2800	B B	S-0793
0111010105	STP2 4L 3600	B B	S-0793
0111010106	STP2 5L 3600	B B	S-0793
0111010107	STP2 6L 3600	B B	S-0793
0111010108	STP2 3L 1800 F/F CAT-1		S-0793
0111010158	STP2 2L 2800	F F	S-0793
0111010176	STP2 4L 3600	F F S/S AD	S-0793
0111010194	STP2 5L 2800	F B	S-0793
0111010195	STP2 5L 2800	B B	S-0793
0111010196	STP2 5L 2800	F F	S-0793
0111010202	STP2 2L 2800	F B	S-0793
0111010283	STP2 2L 2800	B B	S-0793
0111010287	STP2 6L 5600 DD BB MH TERR		S-0796
0111010307	STP2 3L 3600	F B S/S ADB	S-0793
0111010359	STP2 4L 3200	B B	S-1198
0111010360	STP2 4L 3200	B F	S-1198
0111010361	STP2 4L 3200	F B	S-1198
0111010362	STP2 4L 3200	F F	S-1198
0111010363	STP2 5L 3200	B B	S-1198
0111010364	STP2 5L 3200	B F	S-1198
0111010365	STP2 5L 3200	F B	S-1198

ATTENTION: **IMPORTANT**

MARCHESAN S/A RESERVES THE RIGHT AT ANY TIME TO MAKE IMPROVEMENTS IN THE DESIGN, MATERIAL OR SPECIFICATIONS OF MACHINERY, EQUIPMENT OR PARTS WITHOUT THEREBY BECOMING LIABLE TO MAKE SIMILAR CHANGES IN MACHINERY, EQUIPMENT OR PARTS PREVIOUSLY SOLD.

PRODUCTS

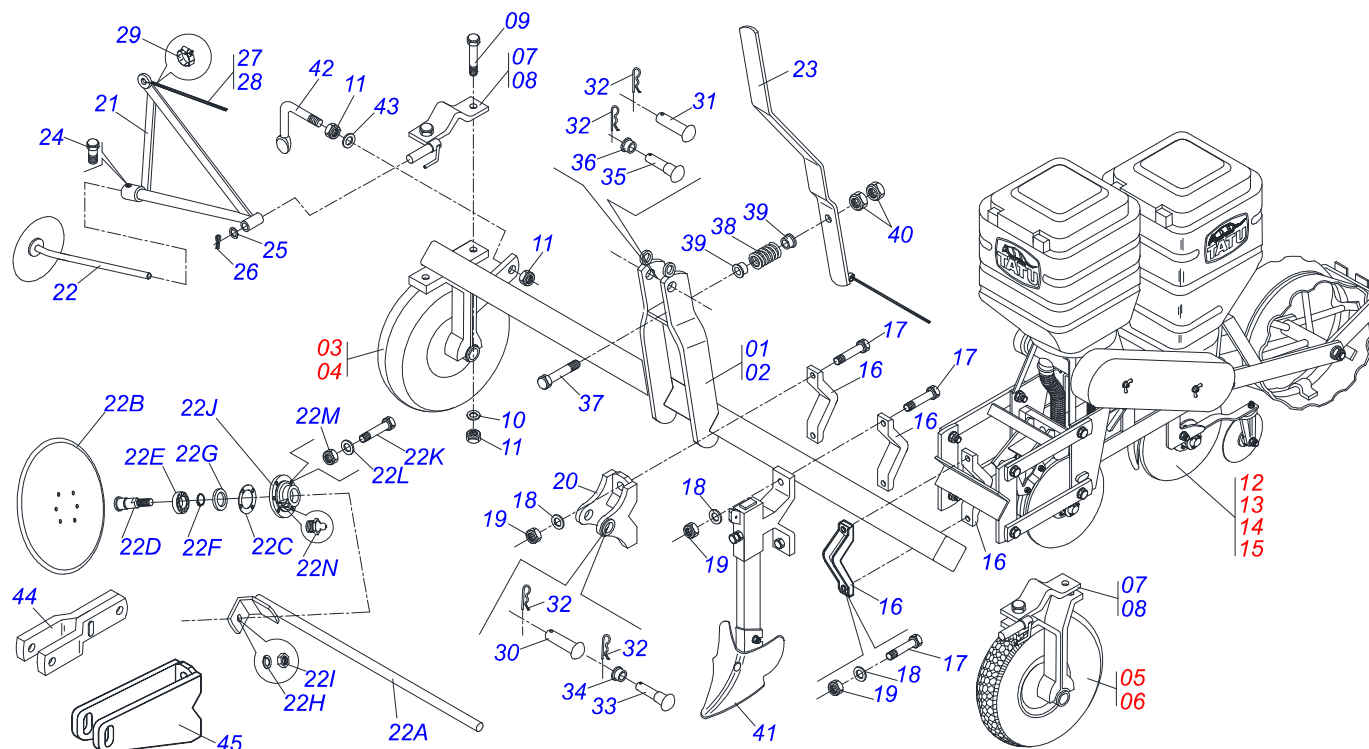
0111010366	STP2 5L 3200 F F	S-1198
0111010367	STP2 6L 3200 B B	S-1198
0111010368	STP2 6L 3200 B F	S-1198
0111010369	STP2 6L 3200 F B	S-1198
0111010370	STP2 6L 3200 F F	S-1198
0111010396	STP2 2L 1800 SD F F	S-0600
0111010397	STP2 3L 1800 SD F F	S-0600
0111010398	STP2 3L 2800 SD F F	S-0600
0111010399	STP2 4L 2800 SD F F	S-0600
0111010400	STP2 4L 3600 SD F F	S-0600
0111010401	STP2 5L 2800 SD F F	S-0600
0111010402	STP2 5L 3600 SD F F	S-0600
0111010403	STP2 6L 3600 SD F F	S-0600
0111010404	STP2 2L 1800 SD B F	S-0600
0111010405	STP2 3L 1800 SD B F	S-0600
0111010406	STP2 3L 2800 SD B F	S-0600
0111010407	STP2 4L 2800 SD B F	S-0600
0111010408	STP2 4L 3600 SD B F	S-0600
0111010409	STP2 5L 2800 SD B F	S-0600
0111010080C	STP2 2L 1800 F F	S-0793
0111010083C	STP2 4L 2800 F F	S-0793
0111010086C	STP2 6L 3600 F F	S-0793
0111010084C	STP2 4L 3600 F F	S-0793
0111010087C	STP2 2L 1800 F B	S-0793
0111010093C	STP2 6L 3600 F B	S-0793
0111010081	STP2 3L 1800 F F	S-0793
0111010090C	STP2 4L 2800 F B	S-0793
0111010093	STP2 6L 3600 F B	S-0793
0111010361C	STP2 4L 3200 F B	S-1198

ATTENTION: **IMPORTANT**

MARCHESAN S/A RESERVES THE RIGHT AT ANY TIME TO MAKE IMPROVEMENTS IN THE DESIGN, MATERIAL OR SPECIFICATIONS OF MACHINERY, EQUIPMENT OR PARTS WITHOUT THEREBY BECOMING LIABLE TO MAKE SIMILAR CHANGES IN MACHINERY, EQUIPMENT OR PARTS PREVIOUSLY SOLD.

INDEX

0909090993	ROW CROP PLANTER FRAME	1
0909090998	FRAME STP2	2
0909091004	RUBBER WHELLES SUPPORT	3
0909094711	LEFT IRON SUPPORT WHLLES	4
0501044547	8" POINT SUBSOILER	5
0501042968	ROW IRON ASSY	6
0909090994	STP2 FRONT ROW	7
0501043483	FERTILIZER DOUBLE DISC ASSY	8
0909090997	SEED DOUBLE DISC ASSY	9
0501050061	COVER DISC (OPTIONAL)	10
0909090995	SEED/FERTILIZER ROW REAR	11
0909090999	SYSTEM FERTILIZER	12
0909090996	SEED ASSY	13
0909090134	SEED DISTRIBUTOR ASSY	14



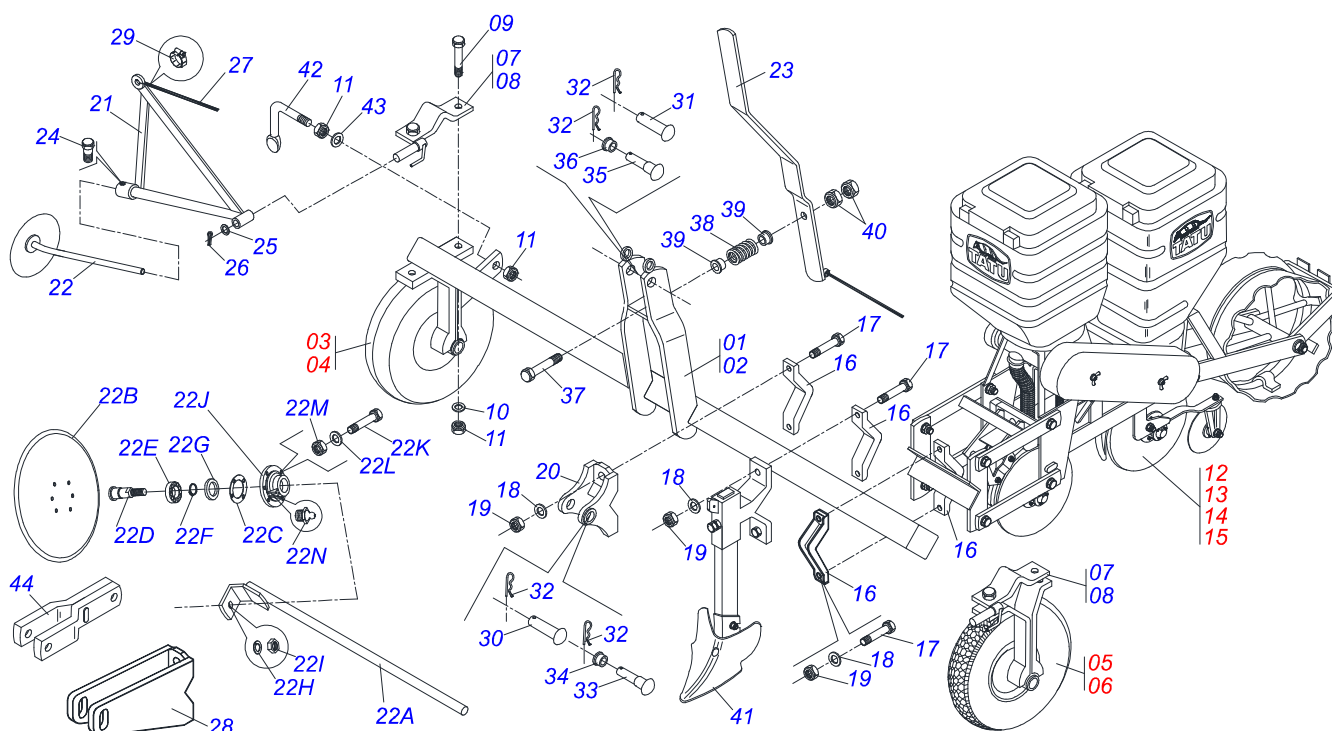
Item	Code	Description	2L	3L	3L	4L	5L
01	0501065187	1800 FRAME	01	01			
02	0501065188	2800 292-4 SHT S0995		01	01	01	
03	0501043479	RH IRON WHELLES	01	01	01	01	01
04	0501043528	LH IRON WHLLES	01	01	01	01	01
05	0501043474	RH RUBBER WHELLES	01	01	01	01	01
06	0501043651	LH IRON WHLLES	01	01	01	01	01
07	0501065193	RH ROW MARKER FIXER	01	01	01	01	01
08	0501065194	LH ROW MARKER FIXER	01	01	01	01	01
09	0501011541	5/8" X 3" BOLT	04	04	04	04	04
10	0503010027	SPRING WASHER	04	04	04	04	04
11	0503010013	5/8" NUT	08	08	08	08	08
12	0501046488	IRON ROW ASSY	02	03	03	04	05
13	0501046487	RUBBER ROW ASSY	02	03	03	04	05
14	0511042743	RUBBER ROW SEMI-DIRECTO ASSY	02	03	03	04	05
15	0511042464	IRON ROW SEMI-DIRECTO ASSY	02	03	03	04	05
16	0502010175	HITCH CLAMP	08	11	11	14	17
17	0503010797	3/4" X 4" BOLT	12	16	16	20	24
18	0503010023	SPRING WASHER	12	16	16	20	24
19	0503010014	3/4" NUT	12	16	16	20	24
20	0502010800	FIXER HITCH FRAME	02	02	02	02	02
21	0501065195	LARGER ROW MARKER SUPPORT	02	02	02	02	02
22	0501050393	ROW MARKER ARM	02	02	02	02	02
22A	0501065319	ROW MARKER DISC SUPPORT	01	01	01	01	01
22B	0601013504	12" X 3" PLAIN DISC BLADE	01	01	01	01	01
22C	0503030143	3.3" X 1.9" X 0.1" JOINT	01	01	01	01	01
22D	0501012934	COVER DISC AXLE	01	01	01	01	01
22E	0503010269	6204 BALL BEARING	01	01	01	01	01
22F	0503010302	501019 SEAL RING	01	01	01	01	01
22G	0503010272	SEAL 00715-BA	01	01	01	01	01
22H	0503011440	SPRING WASHER	01	01	01	01	01
22I	0503010060	1/2" NUT	01	01	01	01	01
22J	0502020600	MARKER ARM DISC HUB	01	01	01	01	01
22K	0503010282	1/4" X 3/4" BOLT	05	05	05	05	05



ROW CROP PLANTER FRAME

0909090993

Item	Code	Description	2L	3L	3L	4L	5L
22L	0503011441	SPRING WASHER	05	05	05	05	05
22M	0503010144	1/4" NUT	05	05	05	05	05
22N	0503010002	1800 GREASE FITTING	01	01	01	01	01
23	0501065196	ROW MARKER LEVER	01	01	01	01	01
24	0503010834	1/2 X 1 BOLT	02	02	02	02	02
25	0501011445	FLAT WASHER	02	02	02	02	02
26	0503010018	5/32 X 1-1/2 COTTERPIN	02	02	02	02	02
27	0511010367	3/8" X 39,37" LEVER ROPE	02	02			
28	0511010368	3/8" X 25,40" LEVER ROPE		02	02	02	
29	0503010296	CLAMP	02	02	02	02	02
30	0521010595	1.1" X 4.3" COUPLING SHAFT	02	02	02	02	02
31	0521010578	COUPLING SHAFT	01	01	01	01	01
32	0503031035	HAIR PIN	06	03	03	03	03
33	0521010631	1.1" X 4.33" COUPLING SHAFT	02	02	02	02	02
34	0521010443	1" SLEEVE	02	02	02	02	02
35	0501017590	1" X 4.13" HITCH PIN	01	01	01	01	01
36	0501018255	1-1/8" X 0.79" BUSHING	01	01	01	01	01
37	0503010479	1/2" X 3" BOLT	01	01	01	01	01
38	0503030479	1.65"X0,2"X1.18" COMPRESSION SPRING	01	01	01	01	01
39	0501016231	SPRING GUIDE	02	02	02	02	02
40	0503010060	1/2" NUT	02	02	02	02	02
41	0501044547	8" POINT SUBSOILER	01	01	01	01	01
42	0501016153	DEPTH WHEEL SCRAPER	02	02	02	02	02
43	0501012140	FLAT WASHER	02	02	02	02	02
44	0501067680	PIVOT DOUBLE BAR	01	01	01	01	01
45	0501067684	T2S HITCH	02	02	02	02	02

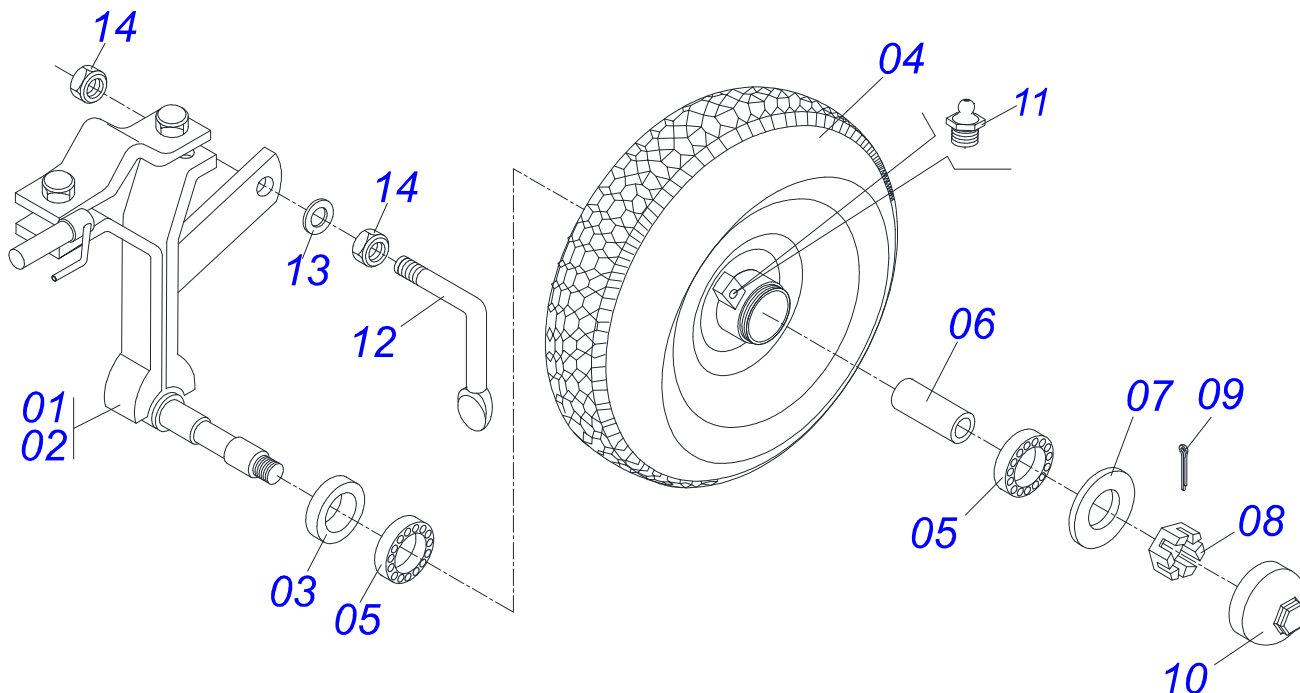


Item	Code	Description	4L	5L	6L
01	0501065189	3600 FRAME	01	01	01
02	0511061609	3200 FRAME	01	01	01
03	0501043479	RH IRON WHELLS	01	01	01
04	0501043528	LH IRON WHLLES	01	01	01
05	0501043474	RH RUBBER WHELLS	01	01	01
06	0501043651	LH IRON WHLLES	01	01	01
07	0501065193	RH ROW MARKER FIXER	01	01	01
08	0501065194	LH ROW MARKER FIXER	01	01	01
09	0501011541	5/8" X 3" BOLT	04	04	04
10	0503010027	SPRING WASHER	04	04	04
11	0503010013	5/8" NUT	08	08	08
12	0501046488	IRON ROW ASSY	04	05	06
13	0501046487	RUBBER ROW ASSY	04	05	06
14	0511042743	RUBBER ROW SEMI-DIRECTO ASSY	04	05	06
15	0511042464	IRON ROW SEMI-DIRECTO ASSY	04	05	06
16	0502010175	HITCH CLAMP	14	17	20
17	0503010797	3/4" X 4" BOLT	20	24	28
18	0503010023	SPRING WASHER	20	24	28
19	0503010014	3/4" NUT	20	24	28
20	0502010800	FIXER HITCH FRAME	02	02	02
21	0501065195	LARGER ROW MARKER SUPPORT	02	02	02
22	0501050393	ROW MARKER ARM	02	02	02
22A	0501065319	ROW MARKER DISC SUPPORT	01	01	01
22B	0601013504	12" X 3" PLAIN DISC BLADE	01	01	01
22C	0503030143	3.3" X 1.9" X 0.1" JOINT	01	01	01
22D	0501012934	COVER DISC AXLE	01	01	01
22E	0503010269	6204 BALL BEARING	01	01	01
22F	0503010302	501019 SEAL RING	01	01	01
22G	0503010272	SEAL 00715-BA	01	01	01
22H	0503011440	SPRING WASHER	01	01	01
22I	0503010060	1/2" NUT	01	01	01
22J	0502020600	MARKER ARM DISC HUB	01	01	01
22K	0503010282	1/4" X 3/4" BOLT	05	05	05

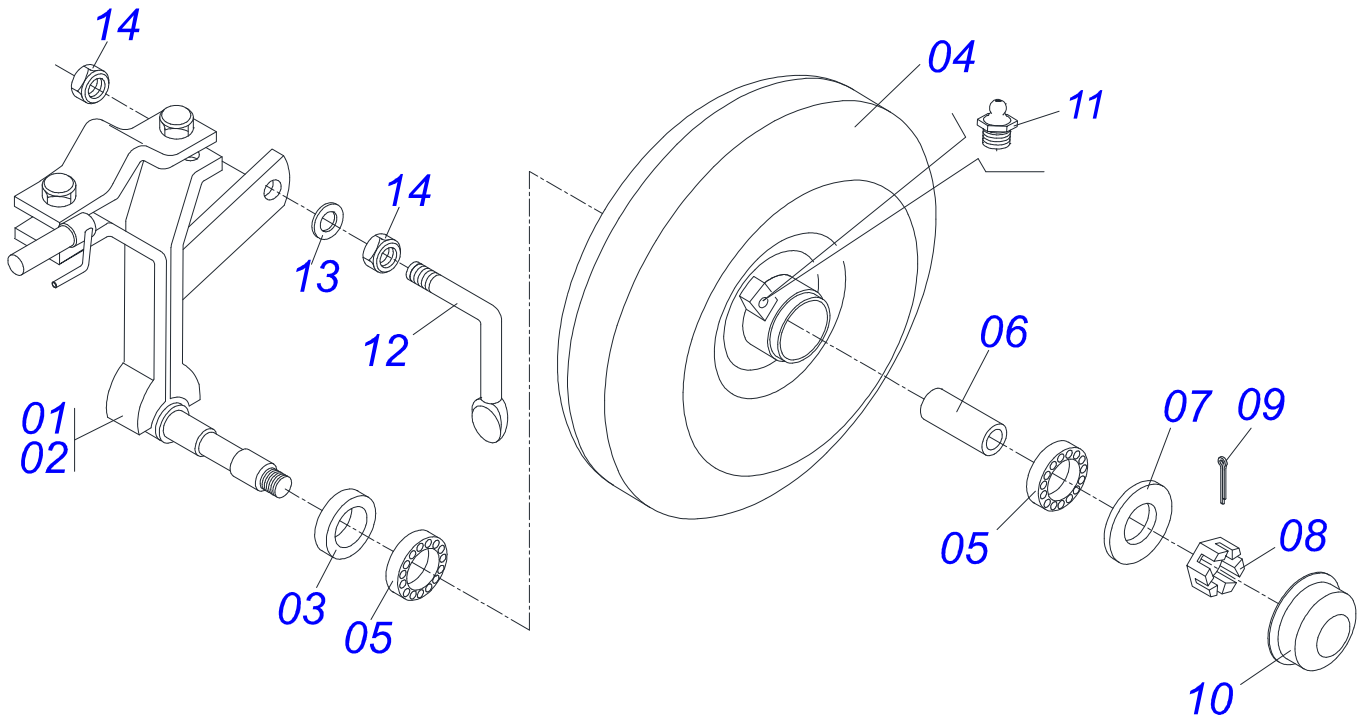


STP2
FRAME STP2

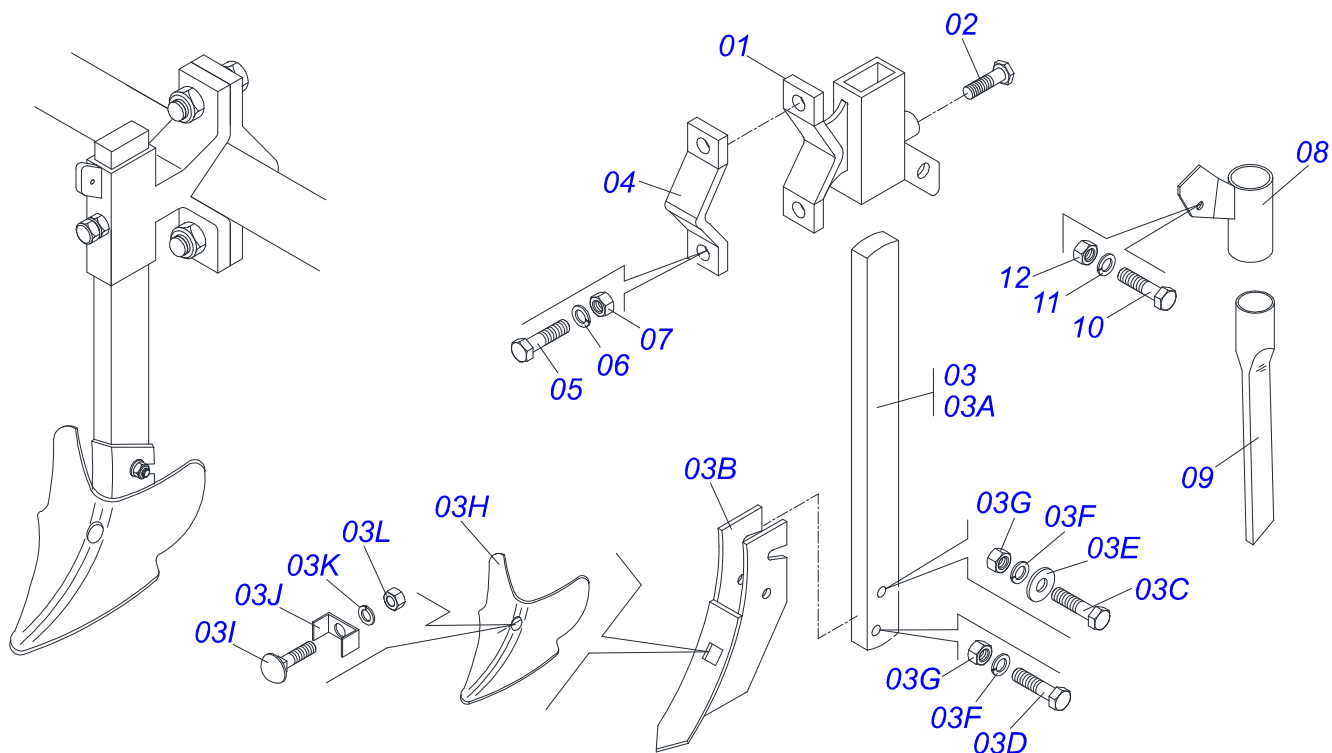
Item	Code	Description	4L	5L	6L
22L	0503011441	SPRING WASHER	05	05	05
22M	0503010144	1/4" NUT	05	05	05
22N	0503010002	1800 GREASE FITTING	01	01	01
23	0501065196	ROW MARKER LEVER	01	01	01
24	0503010834	1/2 X 1 BOLT	02	02	02
25	0501011445	FLAT WASHER	02	02	02
26	0503010018	5/32 X 1-1/2 COTTERPIN	02	02	02
27	0511010369	3/8" X 74.80" LEVER ROPE	02	02	02
28	0501067680	PIVOT DOUBLE BAR	01	01	01
29	0503010296	CLAMP	02	02	02
30	0521010595	1.1" X 4.3" COUPLING SHAFT	02	02	02
31	0521010578	COUPLING SHAFT	01	01	01
32	0503031035	HAIR PIN	06	03	03
33	0521010631	1.1" X 4.33" COUPLING SHAFT	02	02	02
34	0521010443	1" SLEEVE	02	02	02
35	0501017590	1" X 4.13" HITCH PIN	01	01	01
36	0501018255	1-1/8" X 0.79" BUSHING	01	01	01
37	0503010479	1/2" X 3" BOLT	01	01	01
38	0503030479	1.65"X0.2"X1.18" COMPRESSION SPRING	01	01	01
39	0501016231	SPRING GUIDE	02	02	02
40	0503010060	1/2" NUT	02	02	02
41	0501044547	8" POINT SUBSOILER	01	01	01
42	0501016153	DEPTH WHEEL SCRAPER	02	02	02
43	0501012140	FLAT WASHER	02	02	02
44	0501067684	T2S HITCH	02	02	02



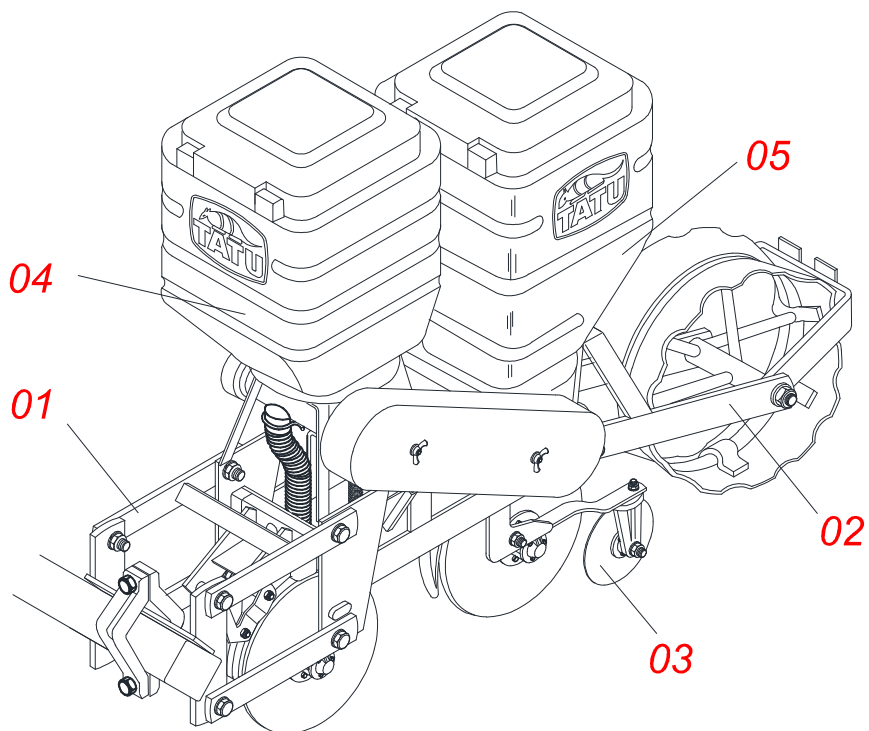
Item	Code	Description	FERR/BORR
00B	0501043474	RH RUBBER WHELLS	01
00C	0501043651	LH IRON WHLLES	01
01	0501068833	RH SUPPORT WHEELS	01 01
02	0501068834	LH SUPPORT WHEELS	01 01
03	0503010268	00262-B SEAL	01 01
04	0503060014	13.78" X 8 WHEEL ASSY	01
04A	0503010270	CANVAS TIRE	01
04B	0503010271	350.8 INNER TIRE	01
04C	0502010185	WHEEL (STP-L)	01
05	0503010269	6204 BALL BEARING	02 02
06	0521010492	SPACING SLEEVE	01 01
07	0511017305	FLAT WASHER	01 01
08	0503030282	3/4" CASTLE NUT	01 01
09	0503010018	5/32 X 1-1/2 COTTERPIN	01 01
10	0502020594	PROTECCION COVER	01
11	0503010002	1800 GREASE FITTING	01 01
12	0501016153	DEPTH WHEEL SCRAPER	01
13	0501012140	FLAT WASHER	01
14	0503010013	5/8" NUT	02



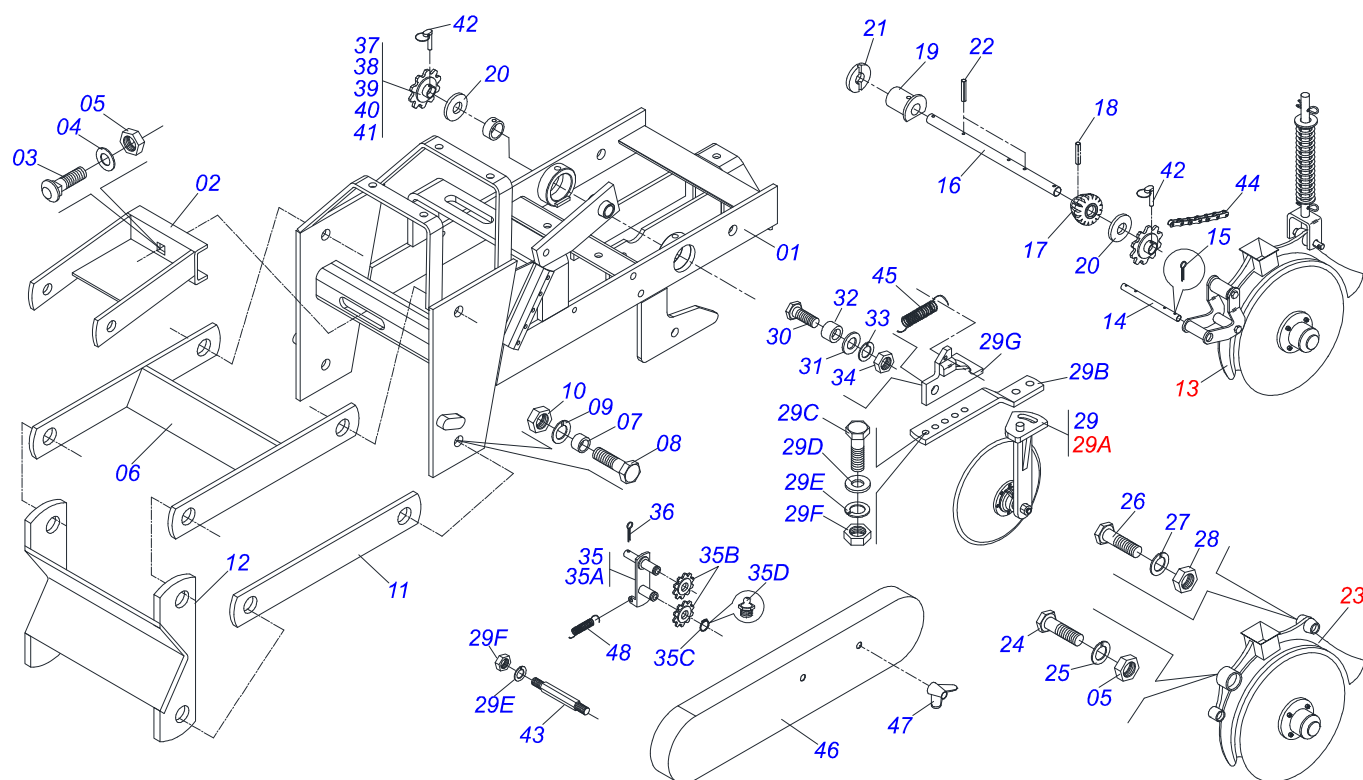
Item	Code	Description	DIR ESQ
00	0501043479	RH IRON WHELLES	01 00
00A	0501043528	LH IRON WHLLES	00 01
01	0501068833	RH SUPPORT WHEELS	01 00
02	0501068834	LH SUPPORT WHEELS	00 01
03	0503010268	00262-B SEAL	01 01
04	0501063340	WHEELS	01 01
05	0503010269	6204 BALL BEARING	02 02
06	0521010492	SPACING SLEEVE	01 01
07	0511017305	FLAT WASHER	01 01
08	0503030282	3/4" CASTLE NUT	01 01
09	0503010018	5/32 X 1-1/2 COTTERPIN	01 01
10	0521010380	PROTECTIVE COVER	01 01
11	0503010002	1800 GREASE FITTING	01 01
12	0501016153	DEPTH WHEEL SCRAPER	01 01
13	0501012140	FLAT WASHER	01 01
14	0503010013	5/8" NUT	02 02



Item	Code	Description	2L	3L	4L	5L	6L
00	0501044547	8" POINT SUBSOILER	02	03	04	05	06
01	0502010798	SOCKET SUBSOILER SUPPORT	02	03	04	05	06
02	0501010098	HEX BOLT 3/4 UNC X 2 C S G.5 ZN	02	03	04	05	06
03	0501043477	FERTILIZER SUBSOILER WING SPINDLE	02	03	04	05	06
03A	0501011025	SUBSOILER SPINDLE	02	03	04	05	06
03B	0501065309	POINT SUBSOILER	02	03	04	05	06
03C	0501011028	1/2" X 2-1/4" BOLT	02	03	04	05	06
03D	0503010740	1/2" X 2" BOLT	02	03	04	05	06
03E	0501010937	FLAT WASHER	02	03	04	05	06
03F	0503010019	1/2" SPRING WASHER	02	03	04	05	06
03G	0503010060	1/2" NUT	02	03	04	05	06
03H	0626091001	8" POINT SUBSOILER	02	03	04	05	06
03I	0501011190	5/8" X 3-3/4" BOLT	02	03	04	05	06
03J	0501011026	FIXER	02	03	04	05	06
03K	0503010027	SPRING WASHER	02	03	04	05	06
03L	0503010013	5/8" NUT	02	03	04	05	06
04	0502010175	HITCH CLAMP	02	03	04	05	06
05	0503010797	3/4" X 4" BOLT	02	03	04	05	06
06	0503010023	SPRING WASHER	02	03	04	05	06
07	0503010014	3/4" NUT	02	03	04	05	06
08	0501065200	SOCKET FASTENER SUPPORT	02	03	04	05	06
09	0503030432	FERTILIZER SOCKET	02	03	04	05	06
10	0503010237	3/8" X 1" BOLT	02	03	04	05	06
11	0503010025	3/8 SPRING WASHER	02	03	04	05	06
12	0503010026	3/8" NUT	02	03	04	05	06

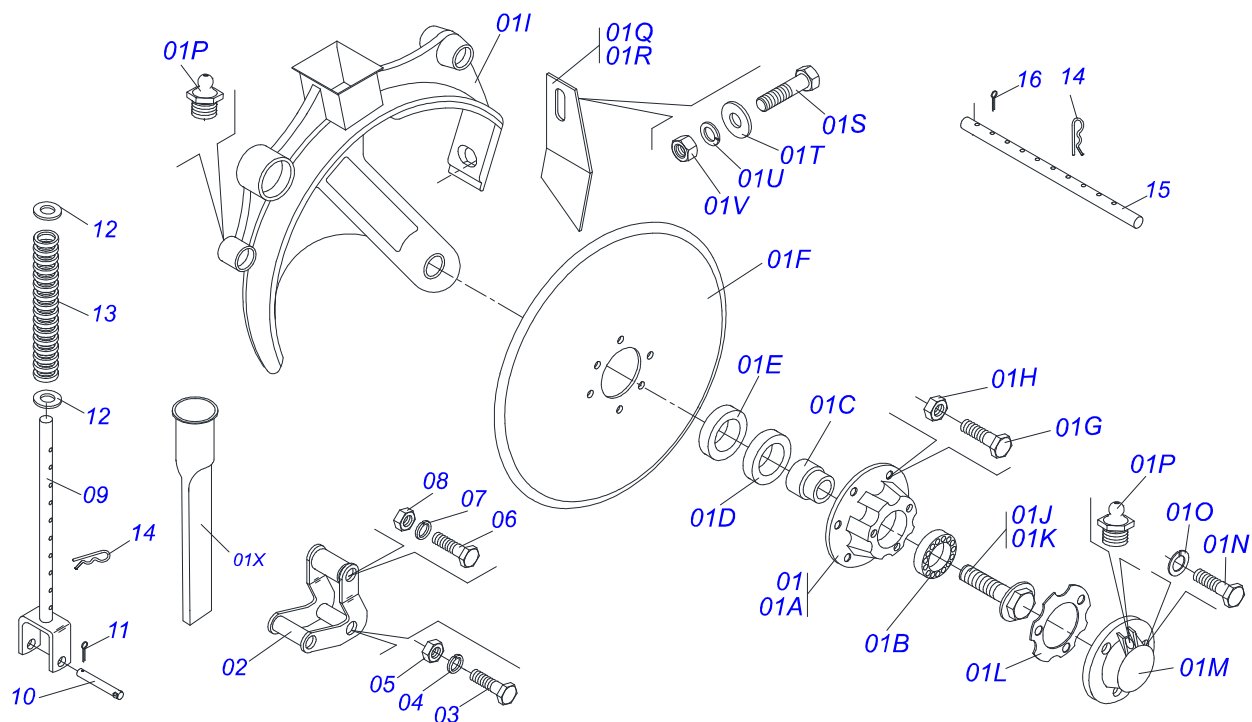


Item	Code	Description	QT
01	0909090994	STP2 FRONT ROW	
02	0909090995	SEED/FERTILIZER ROW REAR	
03	0501050061	COVER DISC (OPTIONAL)	
04	0909090999	SYSTEM FERTILIZER	
05	0909090996	SEED ASSY	



Item	Code	Description	QT
01	0501063330	SEMIFINISHED FRAME	01
02	0501061429	LEVER SUPPORT	01
03	0501011234	5/8" X 3" BOLT	01
04	0501010453	FLAT WASHER	01
05	0503010013	5/8" NUT	03
06	0501061420	SUPPORT ARM PIVOT	01
07	0521010482	ARTICULAT SLEEVE	08
08	0511017958	5/8" X 1.9" RIGHT BOLT	08
09	0501012140	FLAT WASHER	08
10	0503012412	HEX SELF ADJUSTING NUT 5/8 UNC S	08
11	0501011032	PIVOT ARM	02
12	0501065761	DRAWBAR	01
13	0501051183	FERT DOUB-DISC ASSY	01
14	0501011046	DOUBLE DISC PIVOT SHAFT	01
15	0503010274	5/32"X 2" COTTERPIN	02
16	0501016220	SEED SISTEM AXLE	01
17	0502010528	16Z CONICAL GEAR	01
18	0503010292	0.2" X 1.6" SPRING PIN	01
19	0502020627	AXLE SLEVE GUIDES	02
20	0501011168	WASHER SPACER	02
21	0502010403	LOCKWASHER	02
22	0503010756	0.2" X 2.4" SPRING PIN	02
23	0501052390	13" X 13" DOUBLE DISC ASSY	01
24	0501010163	5/8" X 4-1/2" BOLT	01
25	0503010027	SPRING WASHER	01
26	0503010850	7/16" X 3" BOLT	01
27	0503010180	7/16" SPRING WASHER	01
28	0503010244	7/16" NUT	01
29	0501040742	LH COVER DISC ASSY	01
29A	0501050061	COVER DISC (OPTIONAL)	01
29B	0501011018	REGULATOR PLATE	01
29C	0503010751	C3/8" X 1.1/4" HEX BOLT G.5	02
29D	0501010984	FLAT WASHER	02

Item	Code	Description	QT
29E	0503010025	3/8 SPRING WASHER	04
29F	0503010026	3/8" NUT	04
29G	0502010137	LH REGULATOR SUPPORT	01
30	0501010063	1/2" X 1-1/2" BOLT	01
31	0501013519	FLAT WASHER	01
32	0521010500	SPACER BUSHING SMALLER	01
33	0503010019	1/2" SPRING WASHER	01
34	0503010060	1/2" NUT	01
35	0501043171	FERTILIZER TENSIONER CHAIN ASSY	01
35A	0501062484	CHAIN TENSIONER	01
35B	0502010191	10Z GEAR	02
35C	0503010302	501019 SEAL RING	02
35D	0503010002	1800 GREASE FITTING	02
36	0503010018	5/32 X 1-1/2 COTTERPIN	01
37	0502011335	14Z GEAR	01
38	0502011342	16Z GEAR	02
39	0502011346	18Z GEAR	02
40	0502011353	22Z GEAR	02
41	0502011359	30Z GEAR	01
42	0503030119	LOCK PIN	02
43	0501012018	3/8" X 3/8" X 4.33" STUD	01
44	0503010304	50-1 X 85 CHAIN LINK + MENDING	01
45	0503030093	TRACTION SPRING	01
46	0501018582	CHAIN PROTECTION COVER	01
47	0503010209	3/8" UNC BUTTERFLY NUT	02
48	0503030242	0.8" X 4.7" X 0.08" TRACTION SPRING	01



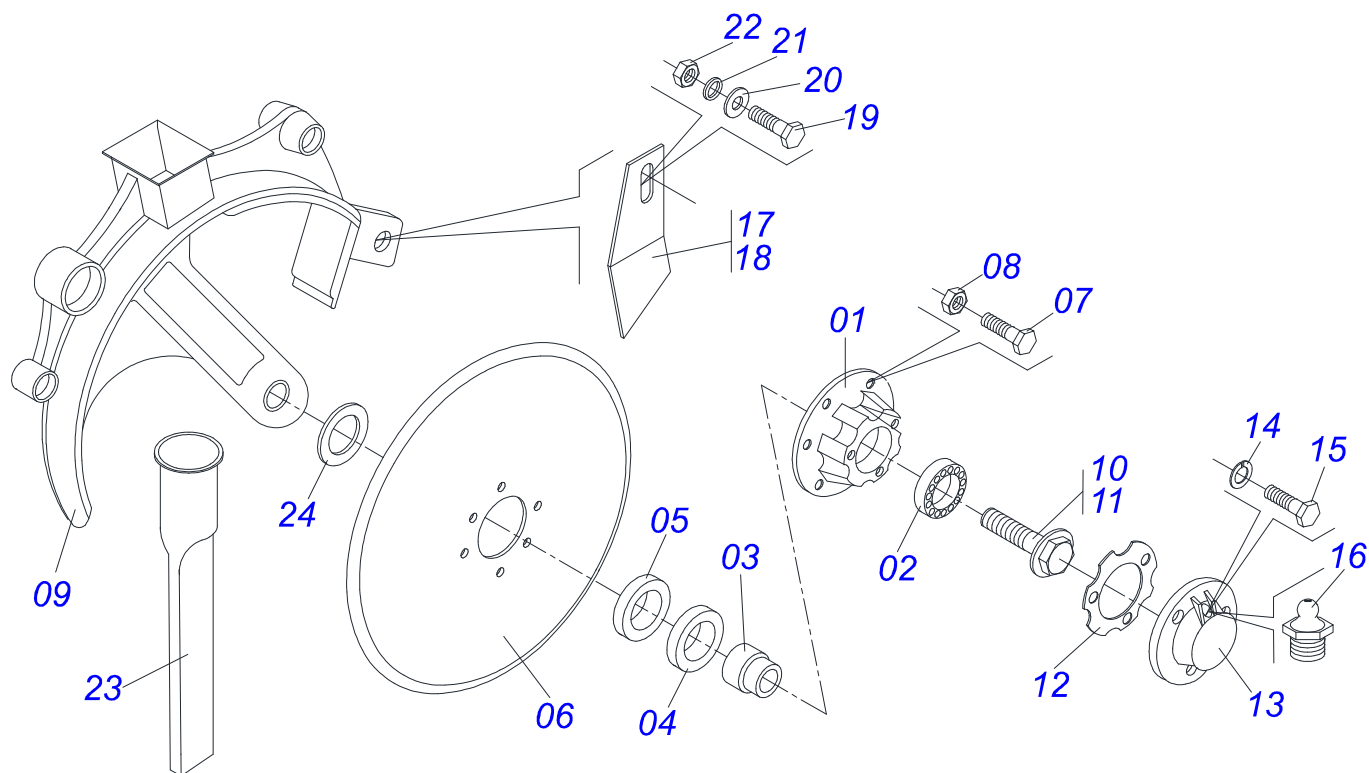
Item	Code	Description	QT
01	0501050300	FERTILIZER DOUBLE DISC ASSY	01
01A	0502011273	DOUBLE DISC HUB	02
01B	0503010276	6206 BALL BEARING	02
01C	0501011832	HUB DOUBLE DISC PASSANG AXLE	02
01D	0503010526	3011 SEAL RING	02
01E	0503010525	00797-BA SEAL	02
01F	0603020019	D272 PLAIN COULTER BLADE	02
01G	0503010546	5/16" X 7/8" BOLT	12
01H	0503010337	5/16" NUT	12
01I	0502010674	FERTILIZER DOUBLE DISC SUPPORT	01
01J	0511017958	5/8" X 1.9" RIGHT BOLT	01
01K	0511017959	5/8" X 1.9" LEFT BOLT	01
01L	0503030142	3.27" X 2.44" X 0.02" JOINT	02
01M	0502020143	HUB DISC COVER	02
01N	0503010282	1/4" X 3/4" BOLT	06
01O	0503010143	SPRING WASHER	06
01P	0503010002	1800 GREASE FITTING	02
01Q	0501017541	RH DOUBLE DISC SCRAPER	01
01R	0501017542	LH DOUBLE DISC SCRAPER	01
01S	0503010751	C3/8" X 1.1/4" HEX BOLT G.5	01
01T	0501010984	FLAT WASHER	02
01U	0503010025	3/8" SPRING WASHER	01
01V	0503010026	3/8" NUT	01
01X	0503030432	FERTILIZER SOCKET	01
02	0501063321	SUPPORT ADJUSTING DOUBLE DISC	01
03	0501010163	5/8" X 4-1/2" BOLT	01
04	0503010027	SPRING WASHER	01
05	0503010013	5/8" NUT	01
06	0503010479	1/2" X 3" BOLT	01
07	0503010019	1/2" SPRING WASHER	01
08	0503010060	1/2" NUT	01
09	0501063359	DEPTH REGULATOR	01
10	0521010553	0.5" X 3" COUPLING SHAFT	01



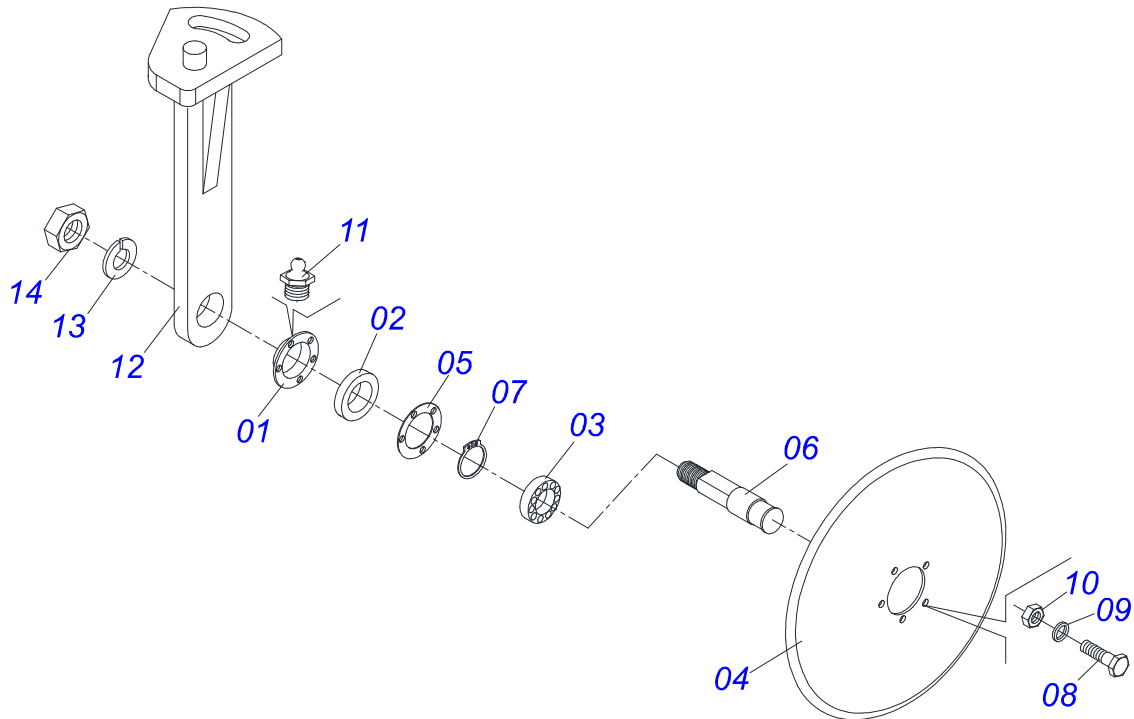
FERTILIZER DOUBLE DISC ASSY

0501043483

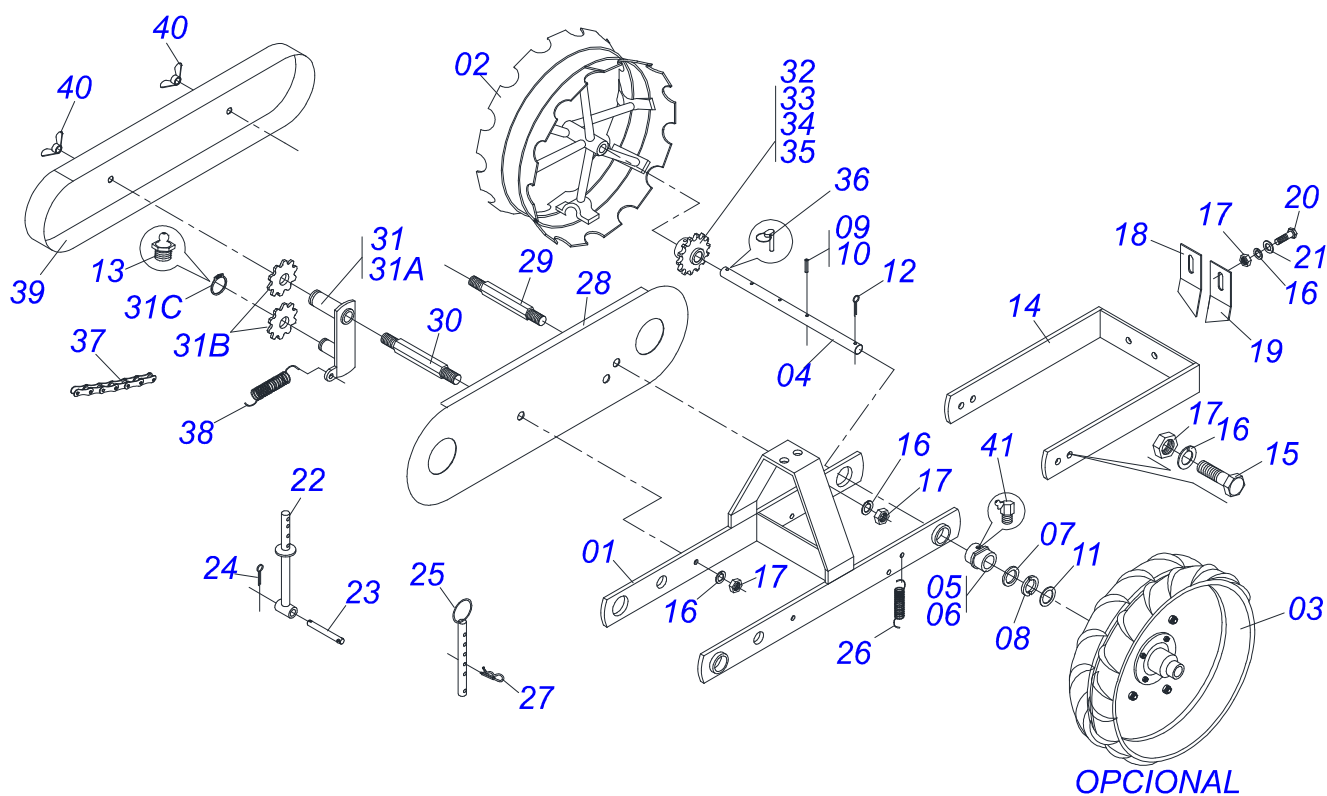
Item	Code	Description	QT
11	0503010257	1/8" X 1" COTTERPIN	01
12	0501010453	FLAT WASHER	03
13	0503030399	1"X5.1"X 0.2" COMPRESSION SPRING	01
14	0503030012	HAIR PIN	04
15	0511010672	0.77" X 11.02" AXLE	01
16	0503010018	5/32 X 1-1/2 COTTERPIN	02



Item	Code	Description	QT
00	0501052390	13" X 13" DOUBLE DISC ASSY	
01	0502011273	DOUBLE DISC HUB	02
02	0503010276	6206 BALL BEARING	02
03	0501011832	HUB DOUBLE DISC PASSANG AXLE	02
04	0503010526	3011 SEAL RING	02
05	0503010525	00797-BA SEAL	02
06	0603020019	D272 PLAIN COULTER BLADE	02
07	0503010546	5/16" X 7/8" BOLT	12
08	0503010337	5/16" NUT	12
09	0502011176	SEED DOUB-DISC SUPPORT	01
10	0511017958	5/8" X 1.9" RIGHT BOLT	01
11	0511017959	5/8" X 1.9" LEFT BOLT	01
12	0503030142	3.27" X 2.44" X 0.02" JOINT	02
13	0502020599	COVER	02
14	0503010143	SPRING WASHER	06
15	0503014891	1/4" X 3/4" BOLT	06
16	0503010002	1800 GREASE FITTING	02
17	0501017541	RH DOUBLE DISC SCRAPER	01
18	0501017542	LH DOUBLE DISC SCRAPER	01
19	0503010849	3/8" X 1-1/2" BOLT	01
20	0501010984	FLAT WASHER	02
21	0503010025	3/8 SPRING WASHER	01
22	0503010026	3/8" NUT	01
23	0503030481	SEED SOCKET	01
24	0511015098	FLAT WASHER	02



Item	Code	Description	QT
00	0501050061	COVER DISC (OPTIONAL)	
01	0502020140	HUB	01
02	0503010272	SEAL 00715-BA	01
03	0503010269	6204 BALL BEARING	01
04	0601011502	7-9/32" X 0.12" PLAIN DISC BLADE	01
05	0503030143	3.3" X 1.9" X 0.1" JOINT	01
06	0501012934	COVER DISC AXLE	01
07	0503010302	501019 SEAL RING	01
08	0503010282	1/4" X 3/4" BOLT	05
09	0503010143	SPRING WASHER	05
10	0503010144	1/4" NUT	05
11	0503010691	1/4" GREASE FITTING	01
12	0502010138	LH REGULATOR ARM	01
13	0503010019	1/2" SPRING WASHER	01
14	0503010060	1/2" NUT	01



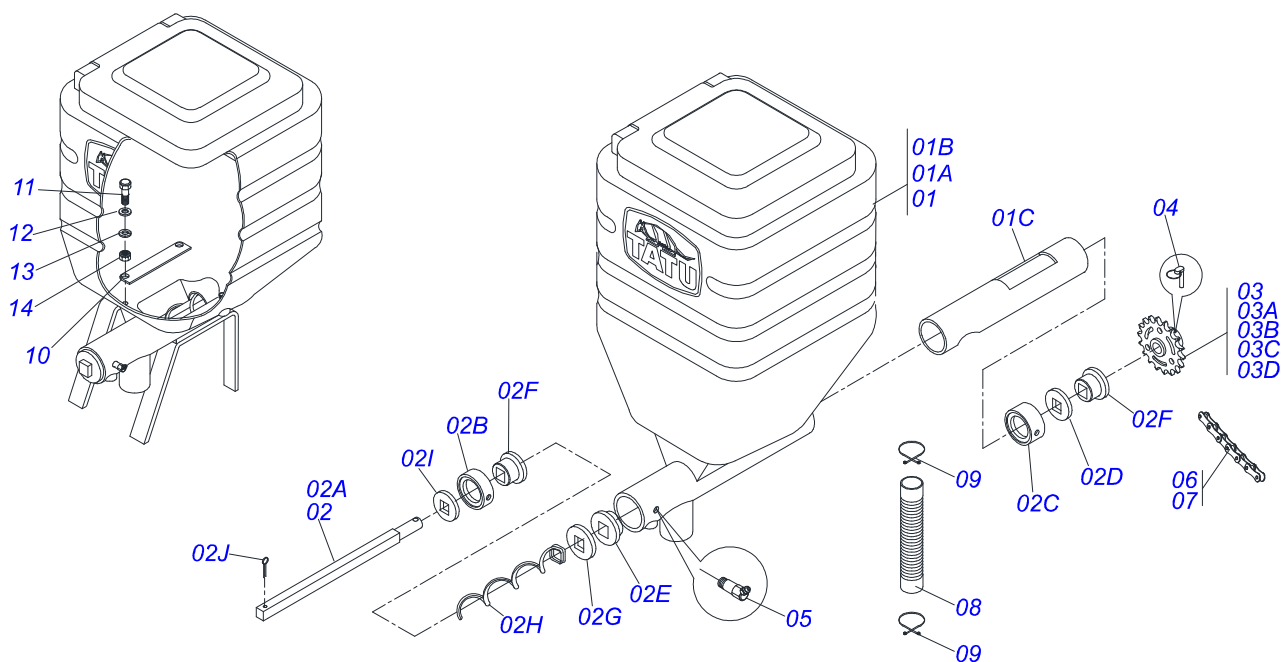
Item	Code	Description	RF RB
01	0501063339	PRESS WHEEL SUPPORT	01 01
02	0501061425	IRON PRESS WHEEL	01
03	0501040208	RODA COMPACT RUBBER	01
04	0501010871	PRESS WHEEL AXLE	01 01
05	0502020258	RH PRESS WHEEL BUSHING GUIDE AXLE	01 01
06	0502020257	LH PRESS WHEEL BUSHING GUIDE AXLE	01 01
07	0501011170	WASHER SPACER	02 02
08	0502010478	LOCKWASHER	02 02
09	0503010292	0.2" X 1.6" SPRING PIN	02 02
10	0503010301	0.3" X 1.8" SPRING PIN	01 01
11	0501011467	FLAT WASHER	02 02
12	0503010571	1/4" X 1.1/2 COTTERPIN	01
13	0503010002	1800 GREASE FITTING	04 04
14	0501063310	SCRAPER FIXER SUPPORT	01
15	0503010751	C3/8" X 1.1/4" HEX BOLT G.5	03
16	0503010025	3/8 SPRING WASHER	10 07
17	0503010026	3/8" NUT	08 05
18	0501011034	RH PRESS WHEELS SCRAPER	01
19	0501011033	RH PRESS WHEELS SCRAPER	01
20	0503011087	3/8" X 1" BOLT	02 01
21	0501013518	FLAT WASHER	02
22	0501063360	ADJUSTMENT BAR	01 01
23	0521010155	FIXER PLATE	01 01
24	0503010018	5/32 X 1-1/2 COTTERPIN	01 01
25	0501061424	SPRING TURNBUCKLE	01 01
26	0503030099	1.3" X 4.9" 0.2" TRACTION SPRING	01 01
27	0501050031	SUPPORT LOCK	01 01
28	0501016290	CHAIN PROTECTION CAP	01 01
29	0501019102	3/8" X 3/8" X 4.72" STUD	01
30	0501012018	3/8" X 3/8" X 4.33" STUD	01 02
31	0501043172	SEED CHAIN TENSIONER ASSY	01 01
31A	0501063355	CHAIN TENSIONER	01 01
31B	0502010191	10Z GEAR	02 02



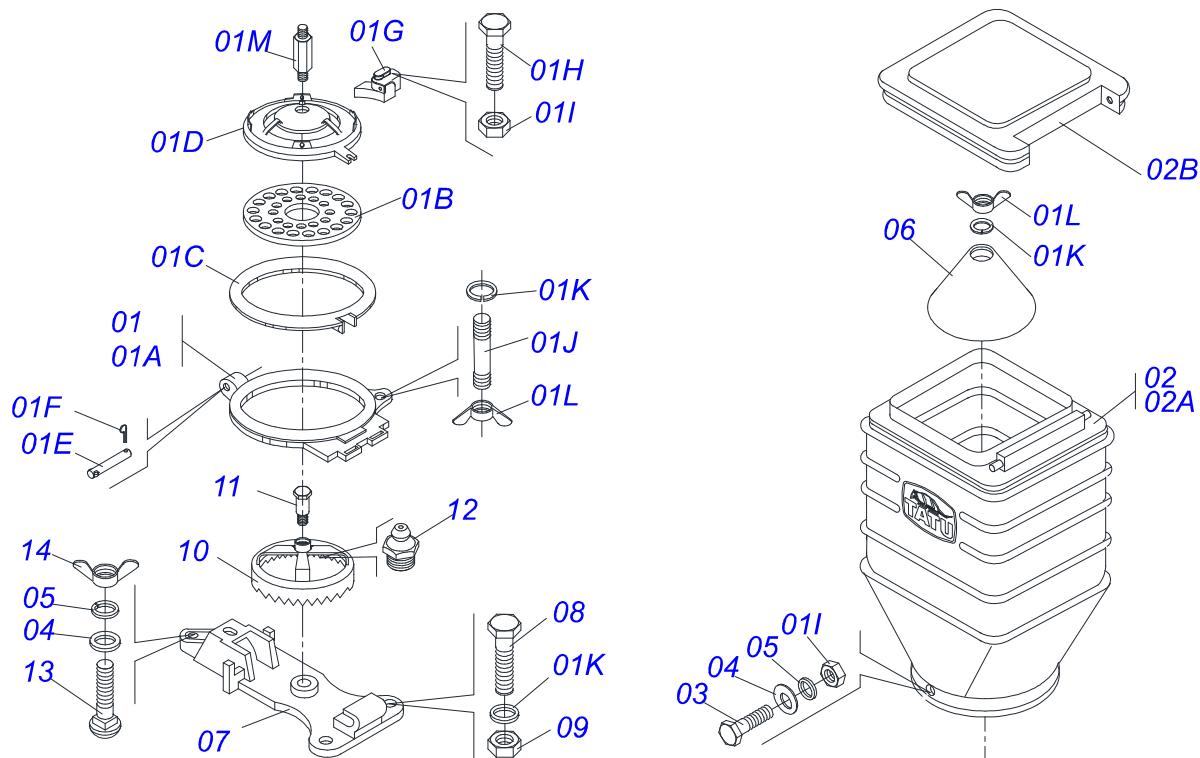
SEED/FERTILIZER ROW REAR

0909090995

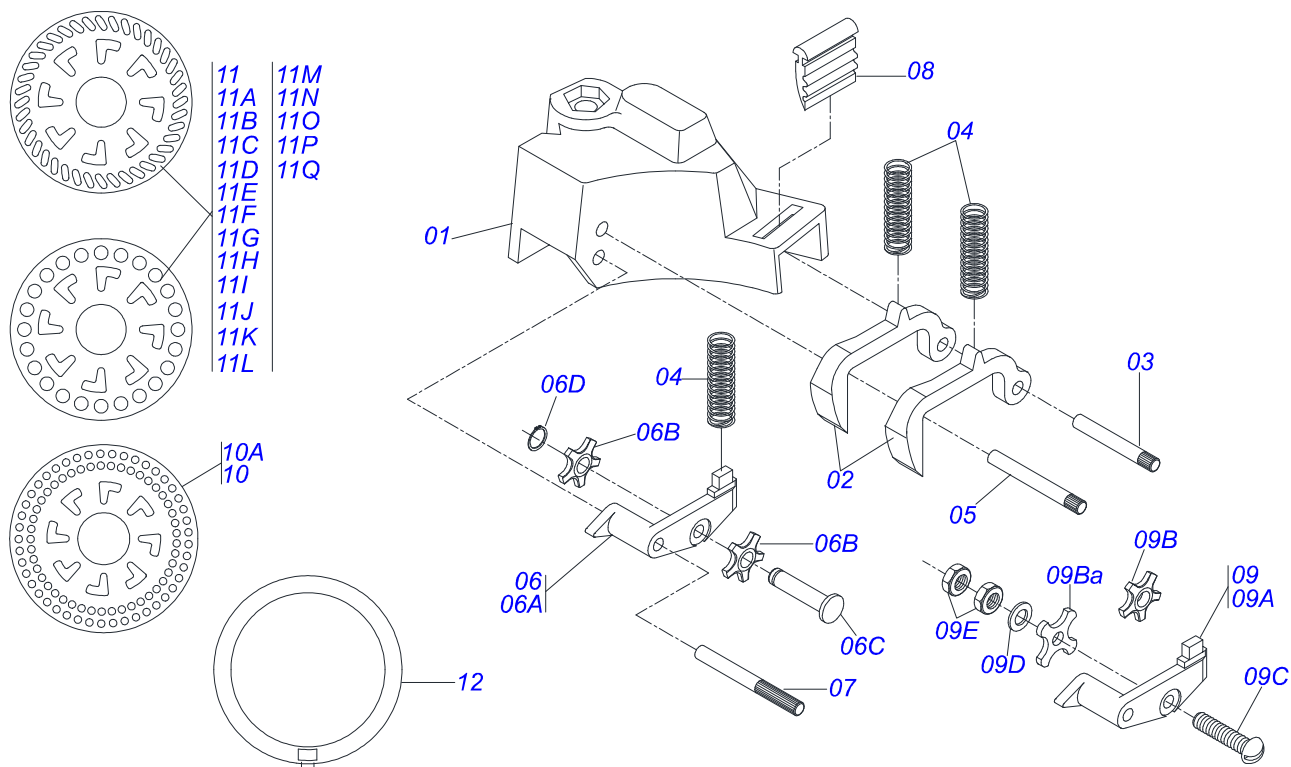
Item	Code	Description	RF	RB
31C	0503010302	501019 SEAL RING	02	02
32	0502011335	14Z GEAR	01	01
33	0502011342	16Z GEAR	02	02
34	0502011346	18Z GEAR	02	02
35	0502011353	22Z GEAR	02	02
36	0503030119	LOCK PIN	02	02
37	0503010912	50-1 X 97 CHAIN LINK + MENDING	01	01
38	0503030242	0.8" X 4.7" X 0.08" TRACTION SPRING	01	01
39	0501018583	CHAIN PROTECTION CAP	01	01
40	0503010209	3/8" UNC BUTTERFLY NUT	02	02
41	0503010003	1845 GREASE FITTING	03	03



Item	Code	Description	QT
01	0503031260	DEPOSIT FERTILIZER WITH TUBE PVC	
01A	0501110281	DEPOSIT FERTILIZER WITH TUBE PVC	01
01B	0503031264	SEED/FERTILIZER BOX COVER	01
01C	0521010945	FERTILIZER DISTRIBUTOR TUBE	01
02	0501053058	DISTRIBUTOR FERTILIZER AXLE ASSY	01
02A	0511010388	DISTRIBUTOR FERTILIZER AXLE	01
02B	0521010946	DISTRIBUTOR FERTIL LARGER SLEEVE	01
02C	0521010947	BUJE SMALLER DISTRIBUIDOR ABONO	01
02D	0501010637	FLAT WASHER	01
02E	0503030303	SUPPORT WASHER	01
02F	0503030275	AGRICULTURAL BEARING	02
02G	0501013774	GREASE SEAL	01
02H	0503031164	RIGHT HELICAL CONDUTOR	01
02I	0511017137	FLAT WASHER	01
02J	0503010571	1/4" X 1.1/2 COTTERPIN	01
03	0502011335	14Z GEAR	01
03A	0502011342	16Z GEAR	01
03B	0502011346	18Z GEAR	01
03C	0502011353	22Z GEAR	01
03D	0502011359	30Z GEAR	01
04	0503030085	LOCK PIN	01
05	0503012102	CREASE FITTING	02
06	0503010304	50-1 X 85 CHAIN LINK + MENDING	01
07	0503010912	50-1 X 97 CHAIN LINK + MENDING	01
08	0503030645	7 X 2 X 225 HOSE	01
09	0503031076	2" HOSE CLAMP	02
10	0511017073	12,01 X 2" X 0,25" PLATE	02
11	0503010358	5/16" X 5/8" BOLT	04
12	0501010694	FLAT WASHER	04
13	0503010179	SPRING WASHER	04
14	0503010337	5/16" NUT	04



Item	Code	Description	QT
00	0501050621	SEED SYSTEM ASSY	
01	0501050852	SEED SYSTEM WITHOUT BOX	01
01A	0502010408	SEED DISC LOWER TRAIL	01
01B	0503032127	CORN DISC 28 HOLE	01
01C	0501013356	DISC SEAT	01
01D	0502020324	SEED BOX SUPPORT	01
01E	0521010536	0.3" X 3.8" COUPLING SHAFT	01
01F	0503010140	1/8" X 3/4" COTTERPIN	01
01G	0501050077	SEED DISTRIB ASSY W/ SIMPLE PULLEY	01
01H	0503010675	5/16" X 2.1/4" BOLT	01
01I	0503010337	5/16" NUT	05
01J	0503030083	3/8" X 3/8" X 1.6" STUD	01
01K	0503010025	3/8 SPRING WASHER	06
01L	0503010209	3/8" UNC BUTTERFLY NUT	02
01M	0571018536	HEX PRISONER	01
01N	0503034131	DEFLECTOR	01
02	0503031667	BOX YELLOW SEED WITH GREEN COVER	01
02A	0503031815	YELLOW SEED BOX	01
02B	0503031816	GREEN SEED BOX COVER	01
03	0503010240	5/16" X 3/4" BOLT	04
04	0501010694	FLAT WASHER	04
05	0503010179	SPRING WASHER	04
07	0502011211	SEED BOX FIXING BASE	01
08	0503011087	3/8" X 1" BOLT	03
09	0503010026	3/8" NUT	03
10	0502010687	40Z CONICAL GEAR	01
11	0511018698	GEAR AXLE	01
12	0503010002	1800 GREASE FITTING	01
13	0501011752	5/16" X 3" BOLT	01
14	0503010499	5/16" UNC BUTTERFLY NUT	01



Item	Code	Description	QT
00	0501051094	SEED DISTRIB ASSY WITH DOUB PULLEY	01
00A	0501050077	SEED DISTRIB ASSY W/ SIMPLE PULLEY	01
01	0503030381	SEED DISTRIBUTOR BOX	01
02	0502010447	TRIGGER	02
03	0501013467	KEY AXLE	01
04	0503030378	0.4" X 1.1" X 0.03" SPRING	03
05	0501013466	KEY LIMITER AXLE	01
06	0501051119	DOUBLE PULLEY ROCKER'S	01
06A	0503031129	DOUBLE PULLEY ROCKER ARM	01
06B	0503031128	5Z PLASTIC DOUB PULLEY FOR SOYBEAN	02
06C	0503031130	PIN OF THE PULLEY	01
06D	0503011853	503050 CLAMPING RING (FOR HOLE)	01
07	0501013468	ROCKER ARM AXLE, OF THE PULLEY	01
08	0503030377	SCRAPER	01
09	0501050120	LARGER WALKING BEAM ASSY	01
09A	0503030379	LARGER ROCKER ARM	01
09B	0502060001	PLASTIC PULLEY FOR MAIZE	01
09Ba	0503030558	PLASTIC PULLEY FOR MAIZE	01
09C	0503010803	3/16" X 3/4" BOLT	01
09D	0503010669	FLAT WASHER	01
09E	0503010667	3/16" NUT	02
10	0502020584	BEAN SEED DISC 64 HOLE OBLONG	01
10A	0502020585	COTTON SEED DISC 64 HOLE OBLONG	01
11	0502020351	CORN SEED DISC 24 HOLE	01
11A	0502020366	CORN SEED DISC 24 HOLE	01
11B	0502020331	BEAN SEED DISC 26 HOLE OBLONG	01
11C	0502020408	BEAN SEED DISC 38 HOLE OBLONG	01
11D	0502020353	SORGO BEET SEED DISC 40 HOLE	01
11E	0502020346	RICE SEED DISC 40 OBLONG	01
11F	0502020560	SUNFLOWER SEED DISC 28 OBLONG	01
11G	0502020554	SUNFLOWER SEED DISC 28 OBLONG	01
11H	0502020340	DISC WITHOUT HOLE	01
11I	0502020367	DISC WITHOUT HOLE	01



STP2
SEED DISTRIBUTOR ASSY

Page 14
0909090134

Item	Code	Description	QT
11J	0502020328	SOYBEAN SEED DISC 34 OBLONG	01
11K	0503031678	DISC WITHOUT HOLE	01
11L	0502020327	DISC WITHOUT HOLE	01
11M	0503031677	DISC WITHOUT HOLE	01
11N	0502020583	PEANUT SEED DISC 20	01
11O	0502020419	COTTON SEED DELINTED 40	01
11P	0502020407	BEAN SEED DISC	01
11Q	0502020333	BEAN SEED DISC	01
12	0511017897	DISC SEAT	01



MARCHESAN IMPLEMENTOS E MÁQUINAS AGRÍCOLAS TATU S.A.

AV. Marchesan, 1979 - Post office box, 131 - CEP 15994-900 - Matão - SP - Brazil

Phone +55 16.3382-8282

(FAX Parts) + 55 16.3382. 8297 - (Export) + 55 16.3382.1003

e.mail: tatu@marchesan.com.br www.marchesan.com.br

Technical Publications: Elaboration

JOSÉ DOMINGOS GASPARI

Technical Publications: Revision

ALESSANDRA PATRICIA KAWAHARA CARRILI

Contact Catálogo:

E-mail = jgaspari@marchesan.com.br

**ORIGINAL PARTS
TATU**

