

PARTS CATALOGUE



PD - FRONT LOADER

Code:

0501090675

Product:

PD JD 6600-4/7500-4



Series:

S-0604

Revision:

00

Date Revision:

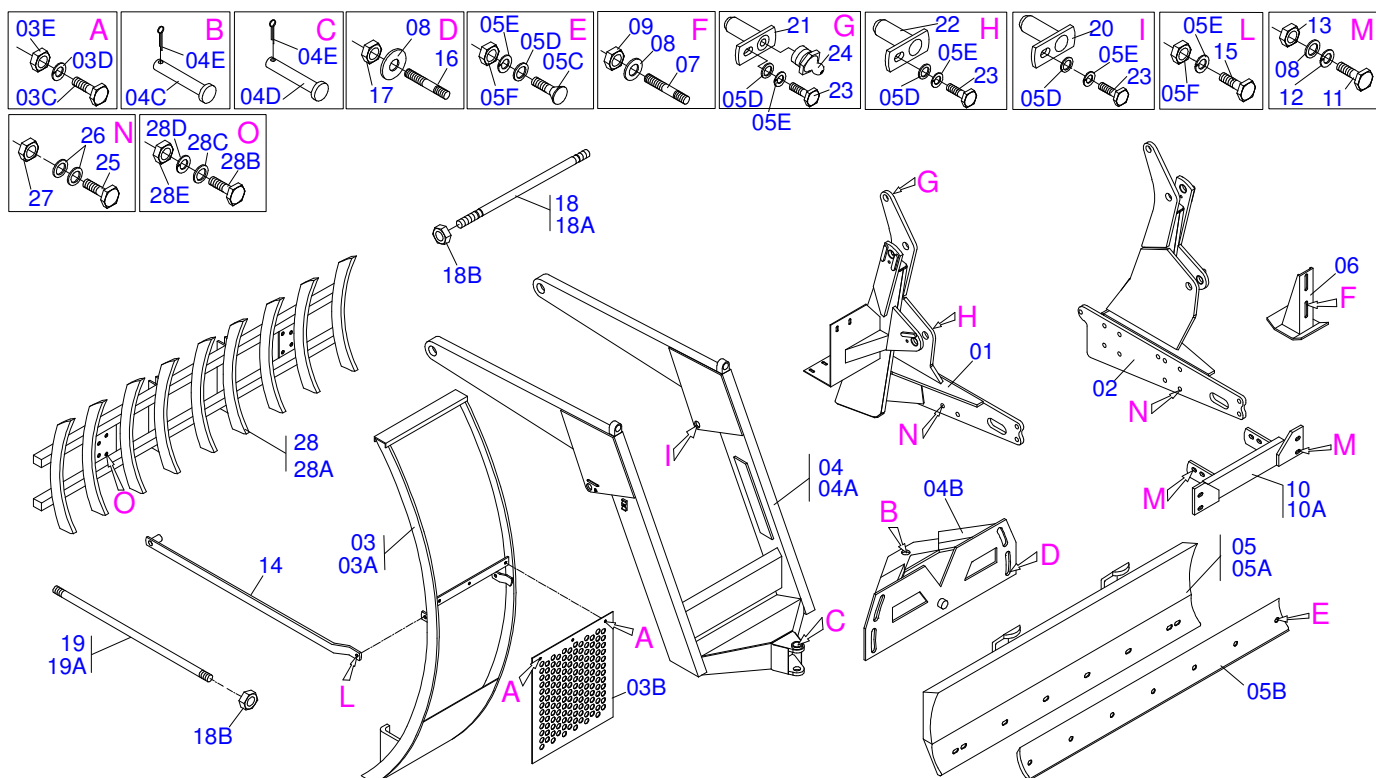
JULHO/2004



MARCHESAN

INDEX

0909091069	FRONT LOADER JD 6600-4/7500-4	1
0909091070	HIDRAULIC CIRCUIT JD 6600-4/7500-4	2
0909090269	HYDRAULIC CYLINDER	3



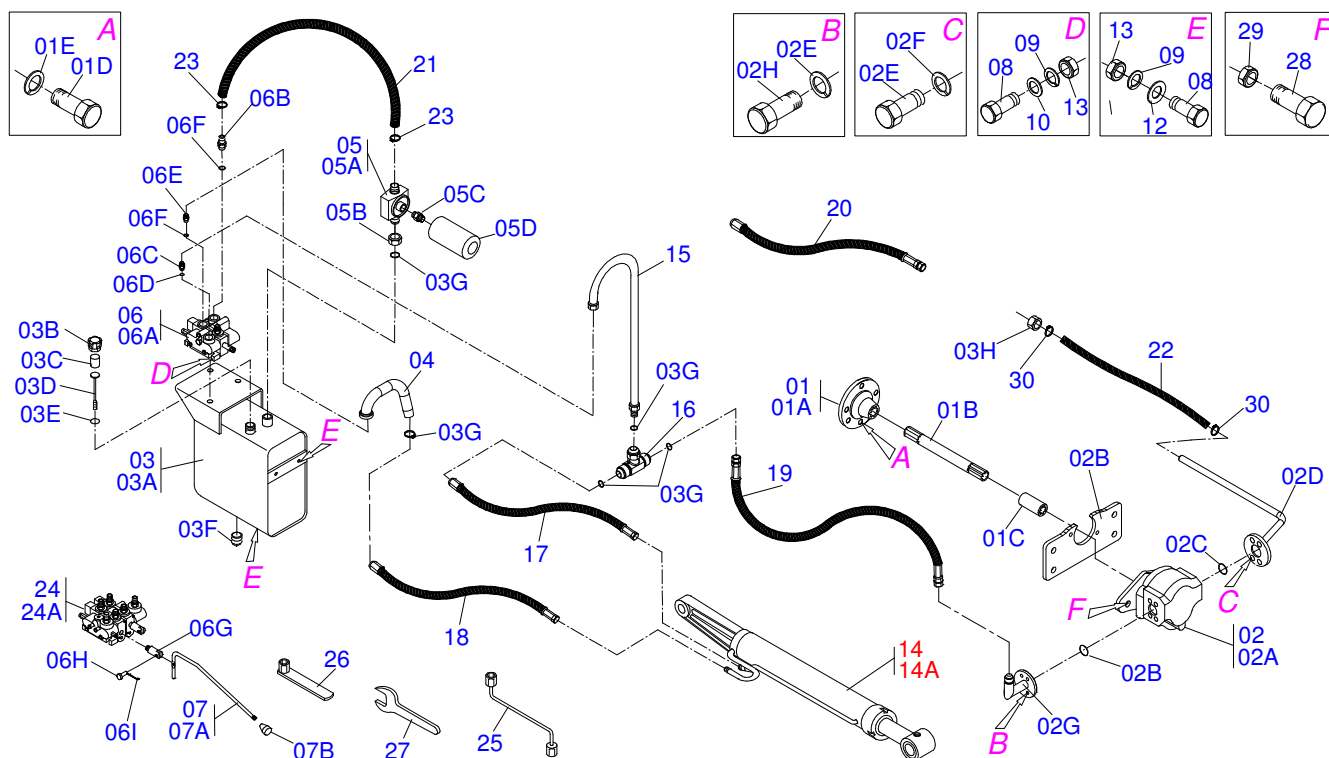
Item	Code	Description	See page	QT
01	0511062607	RIGHT PD FRAME	01	01
02	0511062608	LEFT FRAME	01	01
03	0501041796	MOBILE SUPPORT GUIDE ASSY	01	01
03A	0501063133	MOBILE SUPPORT GUIDE	01	01
03B	0501014687	FRONT PROTECTION	01	01
03C	0503010751	C3/8" X 1.1/4" HEX BOLT G.5	03	03
03D	0501010984	FLAT WASHER	03	03
03E	0503010026	3/8" NUT	03	03
04	0501044604	MOBILE SUPPORT ASSY	01	01
04A	0501066834	MOBILE SUPPORT	01	01
04B	0501062637	5/8" REGULATOR SUPPORT	01	01
04C	0521010618	1.4" X 8.6" COUPLING SHAFT	01	01
04D	0521010612	1.4" X 3.5" COUPLING SHAFT	01	01
04E	0503010010	1/4" X 2.1/2" COTTERPIN	02	02
05	0501047710	2600MM BLADE SUPPORT ASSY	01	01
05A	0501068001	2590MM BLADE SUPPORT ASSY	01	01
05B	0622360011	2600 SCRAPER REVERSIBLE	01	01
05C	0501012240	5/8" X 2-1/2" BOLT	08	08
05D	0501010301	FLAT WASHER	22	22
05E	0503010027	5/8" SPRING WASHER	18	18
05F	0503010013	5/8" NUT	12	12
06	0501063411	ESTABILIZER BRACKET	02	02
07	0501010571	3/4" X 3/4" X 2.2" STUD	04	04
08	0501010322	FLAT WASHER	04	04
09	0503010014	3/4" NUT	04	04
10	0531014225	RIGHT SUPPORT FIXER GUIDE SUPPORT MOBILE	01	01
10A	0531014226	LEFT SUPPORT FIXER GUIDE SUPPORT MOBILE	01	01
11	0501010125	3/4" X 2-1/2" BOLT	22	22
12	0503010023	3/4" SPRING WASHER	30	30
13	0503010014	3/4" NUT	16	16
14	0521013209	FRENCH HAND	02	02



PD JD 6600-4/7500-4
FRONT LOADER JD 6600-4/7500-4

Page 1
0909091069

Item	Code	Description	See page	QT
15	0501010100	SCREW 5/8 UNC X 2 CS G.5 ZN		04
16	0511014160	3/4" X 4.52" STUD		04
17	0503010335	3/4"NUT		04
18	0501041849	FULL 1.1/4 NC X 910 ROD		01
18A	0501014914	1.1/4" X 910 ROD		01
18B	0501010087	1.1/4" NUT		12
19	0501041427	1.1/4" NC X 1540 ROD		02
19A	0501014250	1.1/4" X 1540 ROD		02
20	0501063751	1.5" X 5.5" PIVOT SHAFT		02
21	0501063958	1.5" X 4.3" PIVOT SHAFT LOCK		02
22	0501063959	PIVOT SHAFT		02
23	0503010962	5/8" X 1-1/4" BOLT		06
24	0503010002	1800 GREASE FITTING		06
25	0501010572	1" X 1" X 2.9" STUD		04
26	0501010574	FLAT WASHER		04
27	0503010340	1" NUT		04
28	0108010002	9 TEETH ROOTH RAKER		01
28A	0501060958	9 TEETH ROOTH RAKER		01
28B	0501010276	BOLT		04
28C	0501010065	1" SPRING WASHER		04
28D	0503010012	1" SPRING WASHER		04
28E	0501010059	1.5/8 NUT		04



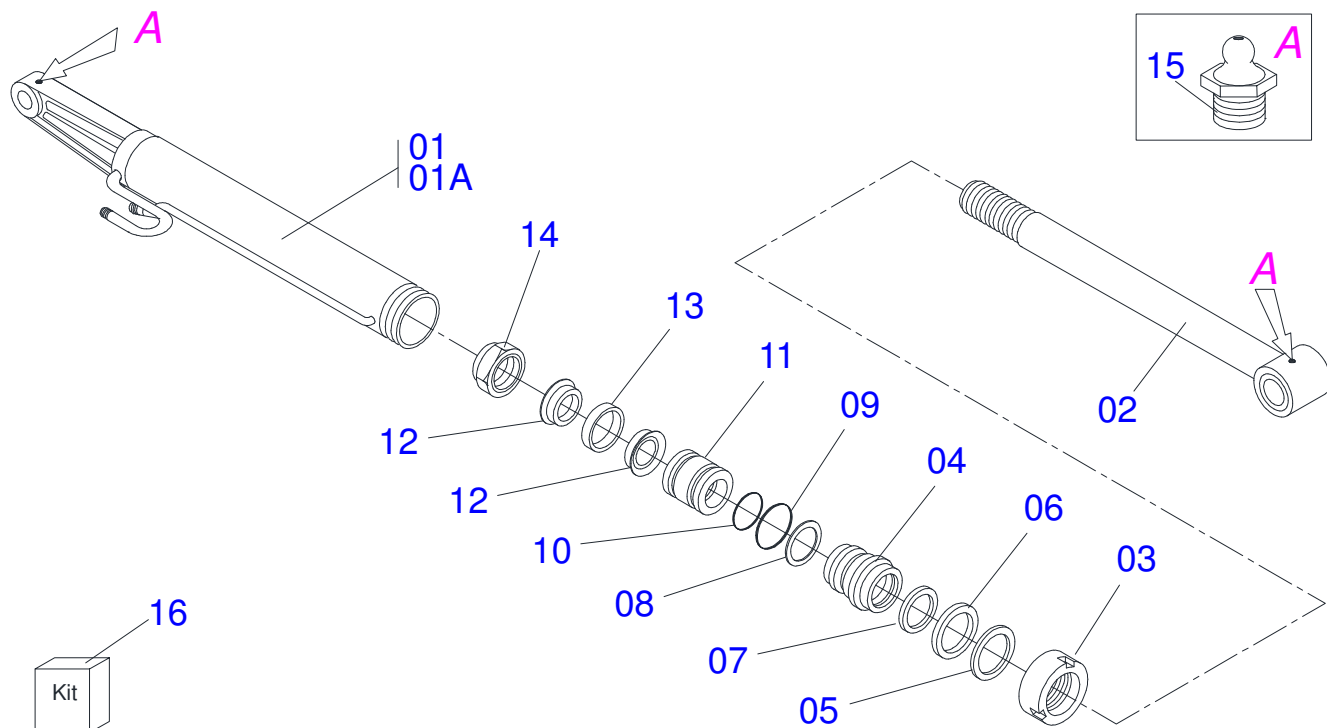
Item	Code	Description	See page	QT
01	0511040476	ASSY COUPLING SYSTEM		01
01A	0521010211	FLANGE COUPLING		01
01B	0511060273	645 STRIATED 1.1/8 X 1.1/8 - 30G AXLE		01
01C	0503030838	1-1/8" X 2.4" SLEEVE		01
01D	0503010751	C3/8" X 1.1/4" HEX BOLT G.5		04
01E	0503010025	3/8" SPRING WASHER		11
02	0501052644	PUMP WITH TUBE		01
02A	0503060045	40L 1/2" PUMP		01
02B	0521017392	PUMP SUPPORT		01
02C	0503010173	2-220 N 3006-9B O'RING		02
02D	0511061455	PUMP SUCTION TUBE		01
02E	0503010355	7/16" X 1" BOLT		04
02F	0503010180	7/16" SPRING WASHER		04
02G	0501067702	PUMP PRESSURE TUBE		01
02H	0503010237	3/8" X 1" BOLT		04
03	0501047808	OIL RESERVOIR ASSY		01
03A	0501068882	OIL RESERVOIR		01
03B	0502020472	FRONTAL COVER		01
03C	0503030044	FILTERING ELEMENT		01
03D	0501060975	OIL GAGE		01
03E	0503010185	2-221 N 3006-9B O'RING		01
03F	0503031604	1/2" BSP PLUG		01
03G	0503010046	2-216 N 3006-9B O'RING		01
03H	0501016309	2" 1X 2.5/16" NUT		01
04	0501063383	TANK OUTER TUBE		01
05	0501041108	RETURNING FILTER ASSY		01
05A	0502050002	RETURNING FILTER HEAD		01
05B	0501010594	1" NUT		01
05C	0501010595	1" NF NIPPLE		01
05D	0503010183	RETURNING FILTER		01
06	0501040871	1/2" COMMAND SIMPLE ASSY		01



HIDRAULIC CIRCUIT JD 6600-4/7500-4

0909091070

Item	Code	Description	See page	QT
06A	0503060080	1/2" COMMAND SIMPLE		01
06B	0501010591	HOSE NIPPLE		01
06C	0501010589	R. 1.1/16UN SEXT 1.1/4 X 52 NIPPLE		01
06D	0503010602	2-211 N 3006-9B O'RING		02
06E	0501010590	NIPPLE		02
06F	0503010045	O'RING		02
06G	0503030347	UPPER LEVER ASSY (SAUER DANFOSS)		01
06H	0521010533	0.3" X 1" COUPLING SHAFT		01
06I	0503010140	1/8" X 3/4" COTTERPIN		01
07	0501049339	CONTROL VALVE ASSY		01
07A	0511063012	CONTROL VALVE		01
07B	0503030878	LEVER CRANK		01
08	0501010161	1/2" X 1.1/4" BOLT		04
09	0503010019	1/2" SPRING WASHER		06
10	0511017302	FLAT WASHER		04
11	0501010080	3/8" BOLT		03
12	0501010984	FLAT WASHER		03
13	0503010026	3/8" NUT		03
14	0501040161	RIGHT HYDRAULIC CYLINDER		01
14A	0501040162	LEFT HYDRAULIC CYLINDER		01
15	0501064350	VALVE PRESSURE TUBE		01
16	0501068942	"T" CONNECTION NIPPLES		02
17	0501080014	HOSE		02
18	0501080103	1/2" X 47" TR-TR HOSE		02
19	0501080346	1/2" X 2000 TR-TR HOSE ASSY		02
20	0501080560	3/4" X 106.299" HOSE HOLDER ASSY		01
21	0501013822	1" X 25.6" AB-AB HOSE		01
22	0501011514	1.1/4" X 1550 AB-AB HOSE		01
23	0503010243	CLAMP		02
24	0501040873	1/2" DOUBLE COMMAND		01
24A	0503060081	1/2" DOUBLE COMMAND		01
25	0501068213	5/8" WRENCH DOUBLE		01
26	0501061617	1" GANG BOLT WRENCH		01
27	0511010153	2-5/16" FIXED WRENCH		01
28	0503010920	1/2" X 1.1/2" BOLT		02
29	0503010060	1/2" NUT		02
30	0503010184	CLAMP		02



Item	Code	Description	See page
00	0501040161	RIGHT HYDRAULIC CYLINDER	
00A	0501040162	LEFT HYDRAULIC CYLINDER	
01	0501063658	RH 101,6 X 472 CYLINDER CASE	01
01A	0501063659	LH 101,6 X 472 CYLINDER CASE	01
02	0501068966	HYDRAULIC CYLINDER TURNBUCKLE	01
03	0502010017	4" HEAD	01
04	0502010778	2" X 4.2" RING SUPPORT	01
05	0503010039	D-2000 SCRAPER RING	01
06	0503010991	1870-2000-375-B GASKET	01
07	0503010952	W2-2250-500 RING	01
08	0503011061	8-342 BACK-UP RING	01
09	0503010338	2-342 N 3006-9B O'RING	01
10	0503010345	2-218 N 3006-9B O'RING	01
11	0502010992	2.0" X 4.0" PISTON	01
12	0503010043	PACKING 3750-3250	02
13	0503010994	W2-4000-500 PK RING G.E	01
14	0503010817	1.1/4" SELF LOCKING NUT	01
15	0503010002	1800 GREASE FITTING	02
16	0501031799	HYDRAULIC CYLINDER REPAIR KIT	01



www.marchesan.com.br



Technical Publications | Elaboration and Revision
ALESSANDRA PATRICIA KAWAHARA CARRILI