

# PARTS CATALOGUE



## PD - FRONT LOADER

**Code:**

0501090674

**Product:**

PD MF 265



**Series:**

S-1188

**Revision:**

00

**Date Revision:**

JANEIRO/2004



# PRODUCTS

<b>Code</b>	<b>Description</b>
0106030002	PD MF 265 BT CD S-1188
0106030025	PD MF 265 BT CD SL S-1188
0106030001	PD MF 265 BT CS S-1188
0106030024	PD MF 265 BT CS SL S-1188
0106030004	PD MF 265 SHT CD S-1188
0106030027	PD MF 265 SHT CD SL S-1188
0106030003	PD MF 265 SHT CS S-1188
0106030026	PD MF 265 SHT CS SL S-1188

## ATTENTION: IMPORTANT

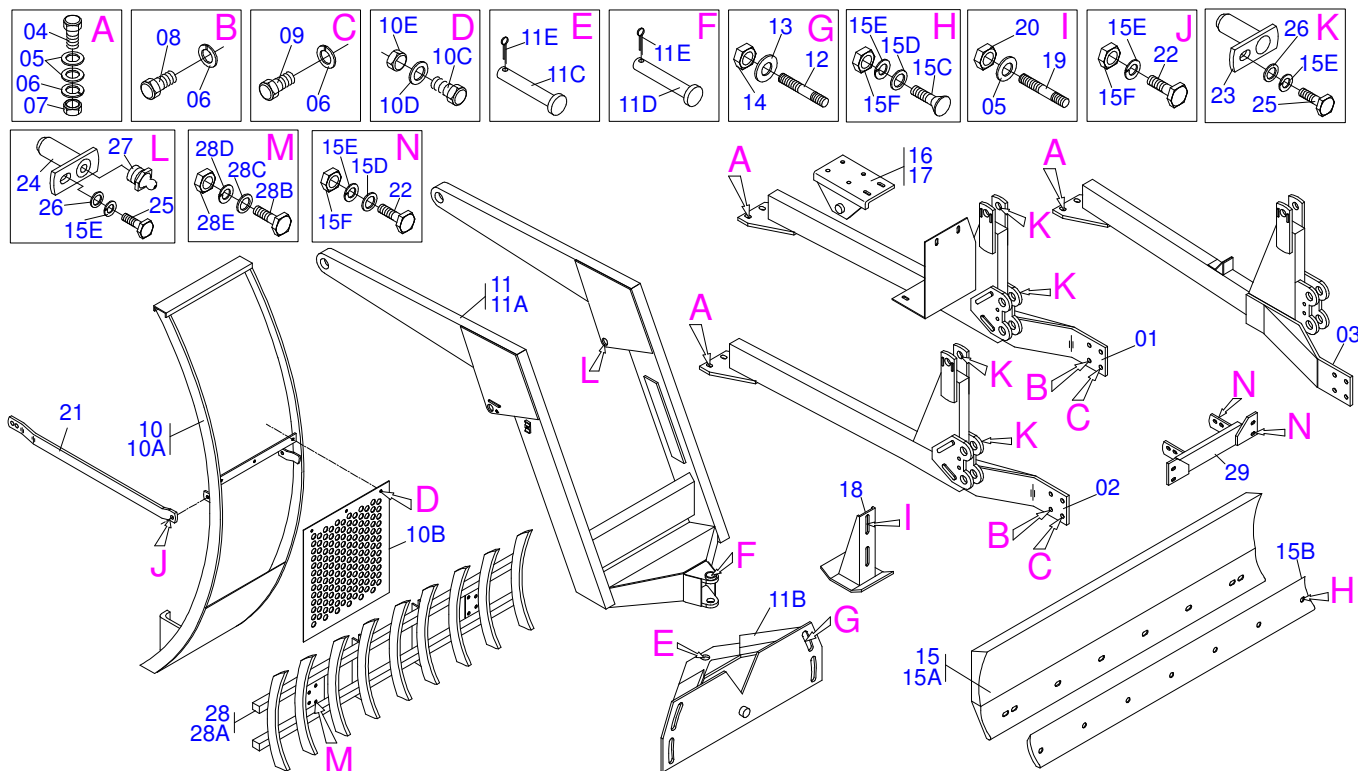
Marchesan S.A. reserves the right to improve and / or modify the technical features of its products, without obligation to do the same with those products already sold and without prior knowledge of the dealer or the consumer.



**MARCHESAN**

# INDEX

0909091200	FRONT LOADER MF 265 S-1188	.....	1
0909091203	HYDRAULIC CIRCUIT	.....	2
0909092235	HYDRAULIC CIRCUIT	.....	3
0909090313	HYDRAULIC CYLINDER	.....	4



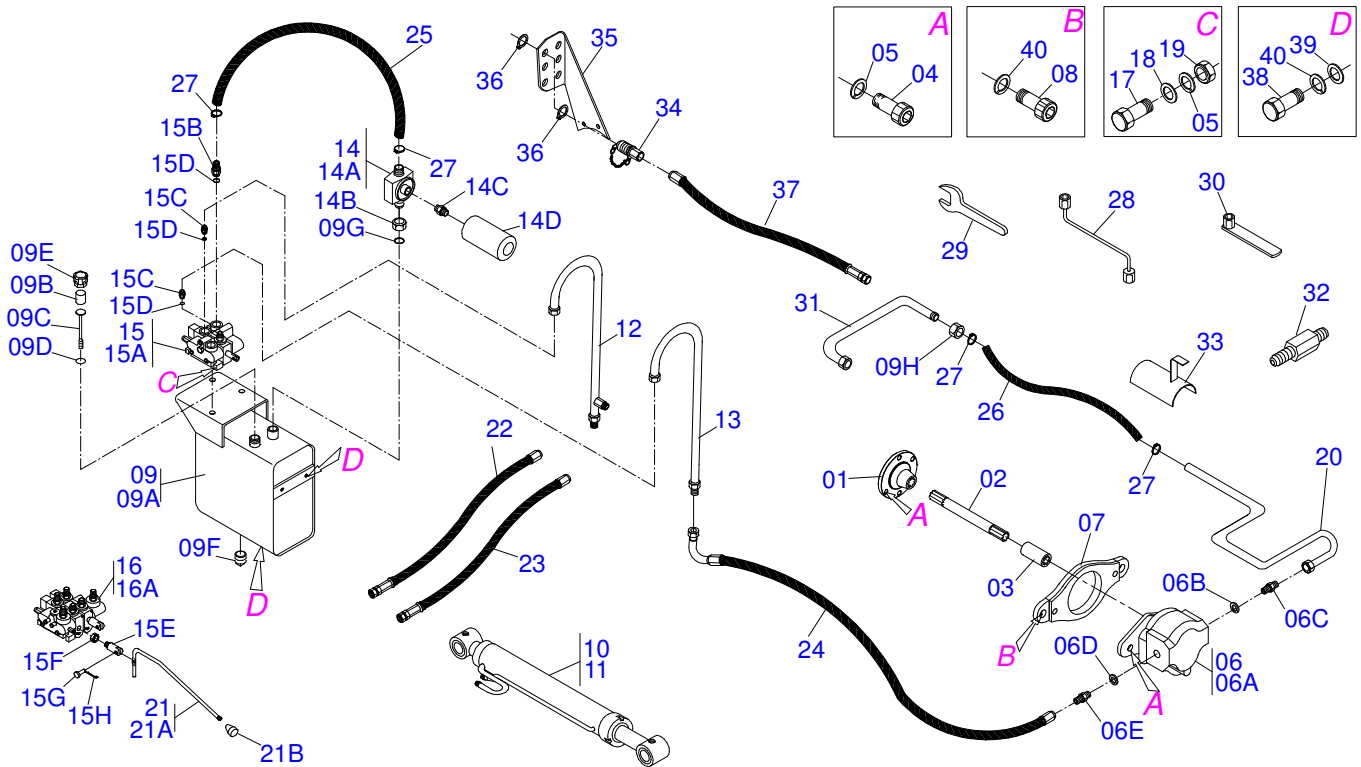
Item	Code	Description	See page	BT SHT
01	0501063868	RIGHT FRAME		01
02	0501063869	RIGHT FRAME		01
03	0501063870	LEFT FRAME		01 01
04	0501010500	3/4"X3"BOLT		04 04
05	0501010322	FLAT WASHER		12 12
06	0503010023	3/4" SPRING WASHER		12 12
07	0503010014	3/4" NUT		04 04
08	0501010098	3/4" UNC BOLT		06 06
09	0501010125	3/4" X 2-1/2" BOLT		02 02
10	0501040970	MOBILE SUPPORT GUIDE ASSY		01 01
10A	0501063161	MOBILE SUPPORT GUIDE ASSY		01 01
10B	0501014213	FRONT PROTECTION		01 01
10C	0503010751	C3/8" X 1.1/4" HEX BOLT G.5		03 03
10D	0501010984	FLAT WASHER		03 03
10E	0503010026	3/8" NUT		03 03
11	0501042506	ASSY MOBILE SUPPORT		01 01
11A	0501063720	MOBILE SUPPORT		01 01
11B	0501063368	REGULATOR SUPPORT		01 01
11C	0521010618	1.4" X 8.6" COUPLING SHAFT		01 01
11D	0521010612	1.4" X 3.5" COUPLING SHAFT		01 01
11E	0503010010	1/4" X 2.1/2" COTTERPIN		02 02
12	0501010572	1" X 1" X 2.9" STUD		04 04
13	0501010574	FLAT WASHER		04 04
14	0503010340	1" NUT		04 04
15	0501047707	2000 BLADE SUPPORT		01 01
15A	0501067998	1990MM BLADE SUPPORT		01 01
15B	0622360015	2000 SCRAPER REVERSIBLE		07 07
15C	0501012240	5/8" X 2-1/2" BOLT		07 07
15D	0501010301	FLAT WASHER		07 07
15E	0503010027	5/8" SPRING WASHER		07 07
15F	0503010013	5/8" NUT		07 07



## FRONT LOADER MF 265 S-1188

0909091200

Item	Code	Description	See page	BT SHT
16	0501064689	LEFT FRAME BRACKET - PD MF 270/285		01 01
17	0501064690	RIGHT FRAME BRACKET - PD MF 270/285		01 01
18	0501063411	ESTABILIZER BRACKET		01 01
19	0501010571	3/4" X 3/4" X 2.2" STUD		04 04
20	0503010335	3/4"NUT		04 04
21	0501018838	FRENCH HAND		02 02
22	0501010100	SCREW 5/8 UNC X 2 CS G.5 ZN		10 10
23	0501063958	1.5" X 4.3" PIVOT SHAFT LOCK		04 04
24	0501063960	37,2 X 130 PIVOT SHAFT LOCK		02 02
25	0503010962	5/8" X 1-1/4" BOLT		06 06
26	0501012140	FLAT WASHER		16 16
27	0503010002	1800 GREASE FITTING		02 02
28	0108010002	9 TEETH ROOTH RAKER		02 02
28A	0501060958	9 TEETH ROOTH RAKER		01 01
28B	0501010276	BOLT		04 04
28C	0501010623	FLAT WASHER		04 04
28D	0503010012	1" SPRING WASHER		04 04
28E	0501010059	1.5/8 NUT		04 04
29	0501062883	MOBILE GUIDE SUPPORT		01 01

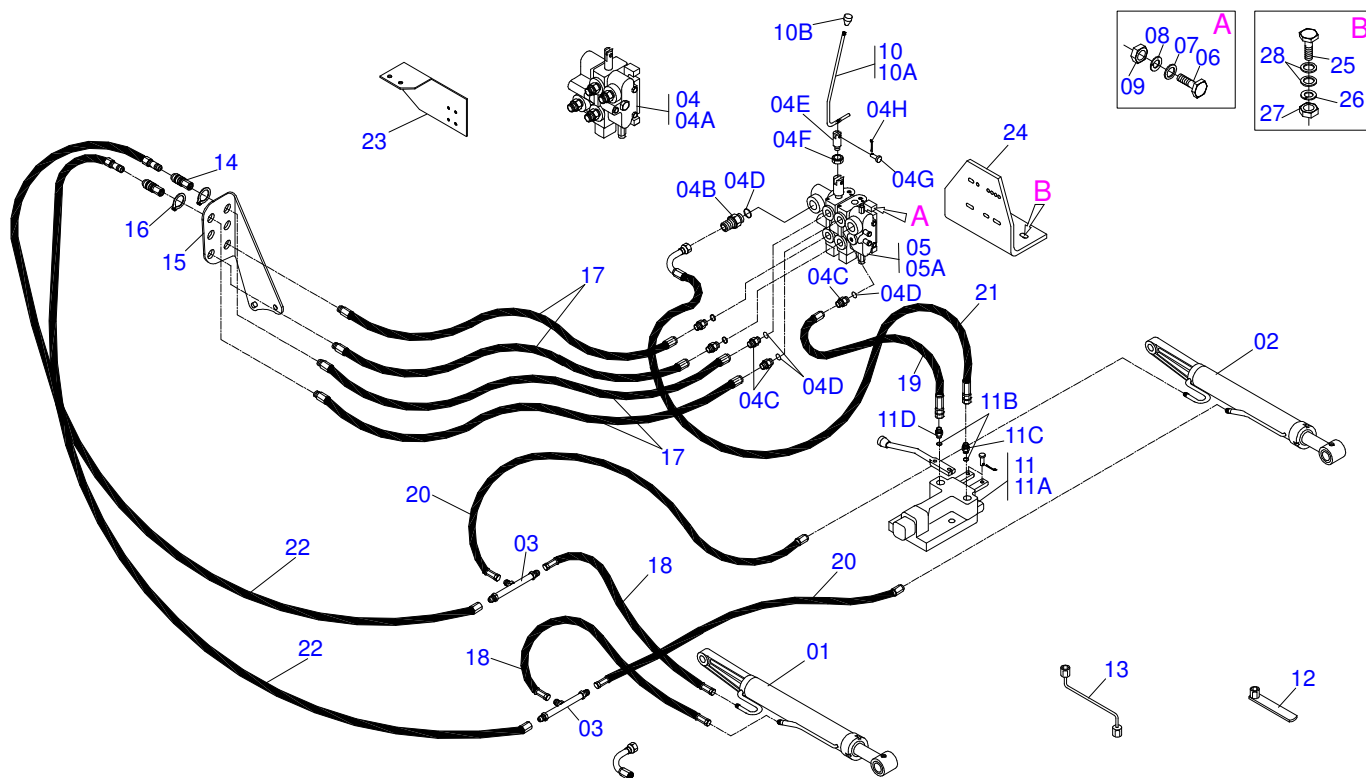


Item	Code	Description	See page	CS	CD
01	0503050066	BRIDA		01	01
02	0503031055	405 X 7/8 STRIATED X 1.1/8" - 30G AXLE		01	01
03	0503030043	61 SLEEVE		01	01
04	0503010175	3/8" X 1-1/4" BOLT		06	06
05	0503010025	3/8" SPRING WASHER		13	13
06	0501040956	20L 7/8" PUMP		01	01
06A	0503060074	20L 3/8" PUMP		01	01
06B	0503011109	2-119 N 3006-9B O'RING		01	01
06C	0501010589	R. 1.1/16UN SEXT 1.1/4 X 52 NIPPLE		01	01
06D	0503010190	2-114 N 3006-9B O'RING		01	01
06E	0501010590	NIPPLE		01	01
07	0502020182	PUMP SUPPORT		01	01
08	0503010322	1/2" X 1-1/4" BOLT		02	02
09	0501047808	OIL RESERVOIR ASSY		01	01
09A	0501068882	OIL RESERVOIR		01	01
09B	0503030044	FILTERING ELEMENT		01	01
09C	0501060975	OIL GAGE		01	01
09D	0503010185	2-221 N 3006-9B O'RING		01	01
09E	0502020472	FRONTAL COVER		01	01
09F	0503031604	1/2" BSP PLUG		01	01
09G	0503010046	2-216 N 3006-9B O'RING		01	01
09H	0501016309	2" 1X 2.5/16" NUT		01	01
10	0501040951	HYDRAULIC CYLINDER		01	01
11	0501040952	HYDRAULIC CYLINDER		01	01
12	0501064408	OIL TUBE		02	02
13	0501064407	VALVE PRESSURE TUBE		01	01
14	0501040959	RETURNING FILTER ASSY		01	01
14A	0502050002	RETURNING FILTER HEAD		01	01
14B	0501010594	1" NUT		01	01
14C	0501010595	1" NF NIPPLE		01	01
14D	0503010545	RETURNING FILTER		01	01



PD MF 265  
HYDRAULIC CIRCUIT

Item	Code	Description	See page	CS	CD
15	0501040976	3/8" CCOMMAND SIMPLE		01	
15A	0503060078	3/8" COMMAND SIMPLE		01	
15B	0501011806	1" HOSE NIPPLE		01	01
15C	0501010590	NIPPLE		03	05
15D	0503010045	O'RING		04	06
15E	0503011050	LOWER LEVER		01	02
15F	0503010337	5/16" NUT		01	02
15G	0521010532	0.3" X 0.9" COUPLING SHAFT		01	02
15H	0503010140	1/8" X 3/4" COTTERPIN		01	02
16	0501041024	3/8" DOUBLE CONTROL VALVE		01	
16A	0503060079	3/8" DOUBLE COMMAND VALVE		01	
17	0501010080	3/8" BOLT		03	03
18	0501010984	FLAT WASHER		03	03
19	0503010026	3/8" NUT		03	03
20	0501067689	PUMP SUCTION TUBE		01	01
21	0501041523	CONTROL LEVER ASSY		01	02
21A	0501067572	CONTROL VALVE LEVER		01	01
21B	0503030878	LEVER CRANK		01	01
22	0501080320	3/8" X 82,6" TR-TR HOSE		02	02
23	0501080321	3/8" X 47" TR-TR HOSE ASSY		02	02
24	0501080062	1/2 X 2000 TR-TC HOSE		01	01
25	0501013822	1" X 25.6" AB-AB HOSE		01	01
26	0501014090	1 X 1450 AB-AB HOSE		01	01
27	0503010184	CLAMP		04	04
28	0501068213	5/8" WRENCH DOUBLE		01	01
29	0511010153	2-5/16" FIXED WRENCH		01	01
30	0501061617	1" GANG BOLT WRENCH		01	01
31	0501063388	TANK OUTER TUBE		01	01
32	0521014428	EXTENSION HEX		02	02
33	0511064563	HOSE PROTECTION		01	01
34	0503010186	NIPLE		02	
35	0511019730	QUICK COUPLING SUPPORT		01	
36	0503010217	501040 CLAMPING RING (FOR AXLE)		04	
37	0501080074	1/2" X 86" TR-TM HOSE ASSY		02	
38	0501010161	1/2" X 1.1/4" BOLT		04	04
39	0511017302	FLAT WASHER		04	04
40	0503010019	1/2" SPRING WASHER		04	04



Item	Code	Description	See page	CS	CD
01	0501040951	HYDRAULIC CYLINDER		01	01
02	0501040952	HYDRAULIC CYLINDER		01	01
03	0501072676	OIL DISTRIBUTOR BODY		02	02
04	0501040976	3/8" CCOMMAND SIMPLE		01	
04A	0503060078	3/8" COMMAND SIMPLE		01	
04B	0501011806	1" HOSE NIPPLE		01	01
04C	0501010590	NIPPLE		03	05
04D	0503010045	O'RING		04	06
04E	0503011050	LOWER LEVER		01	02
04F	0503010337	5/16" NUT		01	02
04G	0521010532	0.3" X 0.9" COUPLING SHAFT		01	02
04H	0503010140	1/8" X 3/4" COTTERPIN		01	02
05	0501041024	3/8" DOUBLE CONTROL VALVE		01	
05A	0503060079	3/8" DOUBLE COMMAND VALVE		01	
06	0501010080	3/8" BOLT		03	03
07	0501010984	FLAT WASHER		03	03
08	0503010025	3/8" SPRING WASHER		03	03
09	0503010026	3/8" NUT		03	03
10	0501041473	CONTROL LEVER ASSY		01	02
10A	0501067686	CONTROL LEVER ASSY		01	01
10B	0503010182	BALL LEVER		01	01
11	0501041892	V002/0012 FLOW DIVIDING VALVE ASSY		01	01
11A	0503060064	V002-0012 FLOW DIVIDING VALVE		01	01
11B	0503010190	2-114 N 3006-9B O'RING		02	02
11C	0511010111	7/8" NIPPLE		01	01
11D	0501010617	3/4" NIPPLE		01	01
12	0501061617	1" GANG BOLT WRENCH		01	01
13	0501068213	5/8" WRENCH DOUBLE		01	01
14	0503010186	NIPLE		02	
15	0511019730	QUICK COUPLING SUPPORT		01	
16	0503010217	501040 CLAMPING RING (FOR AXLE)		04	

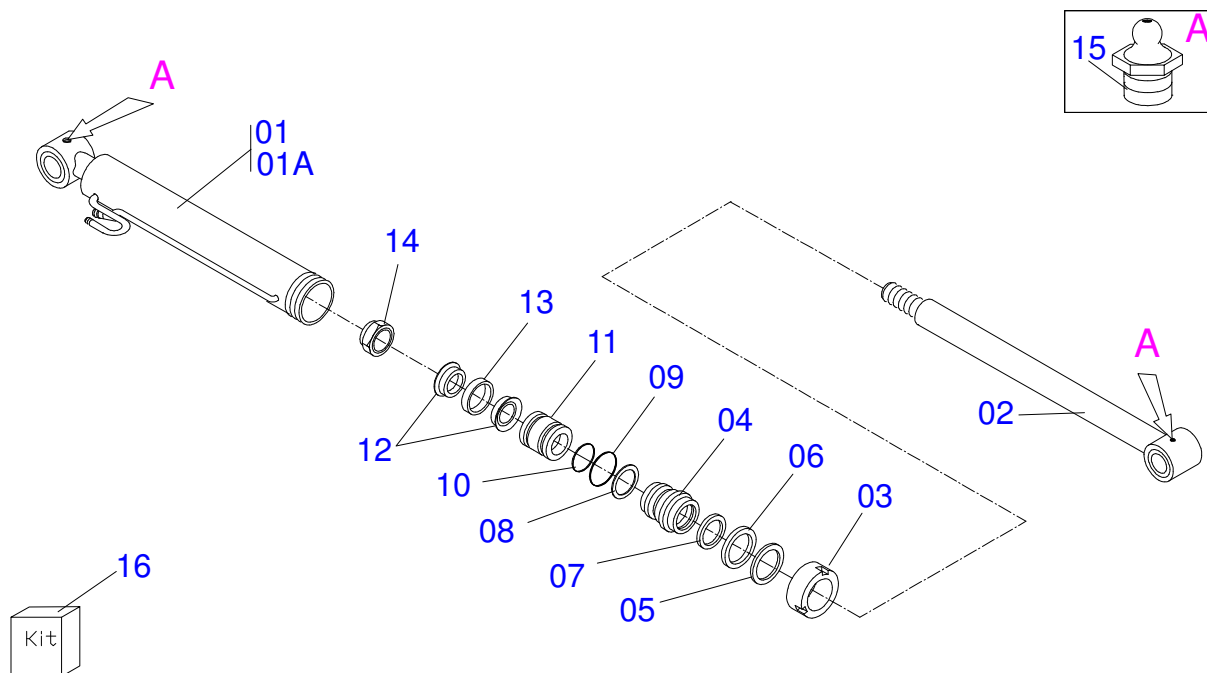




PD MF 265  
HYDRAULIC CIRCUIT

Page 3  
0909092235

Item	Code	Description	See page	CS	CD
17	0501080027	3/8" X 39,3" TR-TR HOSE ASSY		02	02
18	0501080055	3/8" X 1000 TR-TC HOSE		02	02
19	0501080047	3/8" X 67" TR-TR HOSE ASSY		01	01
20	0501080320	3/8" X 82,6" TR-TR HOSE		02	02
21	0501080061	1/2 X 1700 TR-TC HOSE ASSY		01	01
22	0501080600	HOSE 3/8 X 2200 TR-TM			02
23	0521017643	SUPPORT FILTER HIDRAULIC		01	
24	0501014688	SUPPORT CONTROL VALVE		01	01
25	0503010421	5/16" X 1-1/2" BOLT		02	02
26	0503010179	5/16" ZN SPRING WASHER		02	02
27	0503010736	5/16" NUT		02	02
28	0501011517	FLAT WASHER		04	04



Item	Code	Description	See page	QT
00	0501040951	HYDRAULIC CYLINDER		00
00A	0501040952	HYDRAULIC CYLINDER		00
01	0501063470	63,50 X 487 CYLINDER CASE		01
01A	0501063471	63,50 X 487 CYLINDER CASE		01
02	0501060929	38,10 TURNBUCLE		01
03	0502010471	MOBILE COVER		01
04	0502010780	RING SUPPORT		01
05	0503010163	D-1500 SCRAPER RING		01
06	0503010989	1870-1500-375-B GASKET		01
07	0503010970	W1-1650-500 PK O'RING G.E		01
08	0503011058	8-330 BACK-UP RING		01
09	0503010161	2-330 N 3006 9B O'RING		01
10	0503010285	2-222 N 3006-9B O'RING		01
11	0502010783	1.5" X 2.5" PISTON		01
12	0503010160	2500 2000 GASKET		02
13	0503010973	W2-2500-500 PK O'RING G.E		01
14	0503010063	1" SELF-ALIGNING NUT		01
15	0503010002	1800 GREASE FITTING		02
16	0501032666	HYDRAULIC CYLINDER REPAIR KIT		





[www.marchesan.com.br](http://www.marchesan.com.br)



**Technical Publications | Elaboration and Revision**  
ALESSANDRA PATRICIA KAWAHARA CARRILI