

PARTS CATALOG

FRONT LOADER

PD FORD NH TL 75E/85E-4 MWM
BT S-1005

Code: 0501090673



Series: S-1005

Review: OUTUBRO/05

ORIGINAL PARTS
TATU

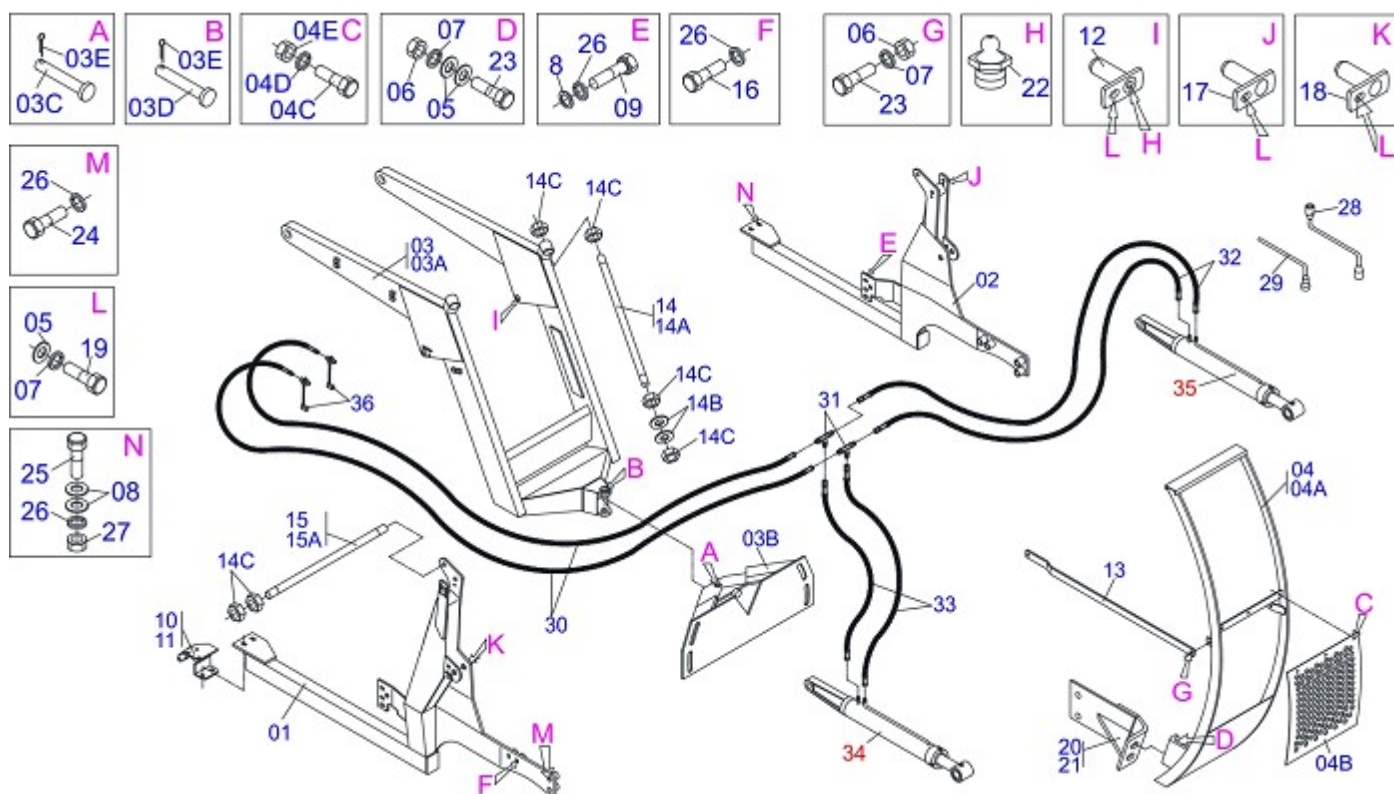


INDEX

0909093087	PD NH TL 75E/85E-4 MWM BT S-1005	1
0909093086	(PD) ACCESSORIES	2

ATTENTION: *IMPORTANT*

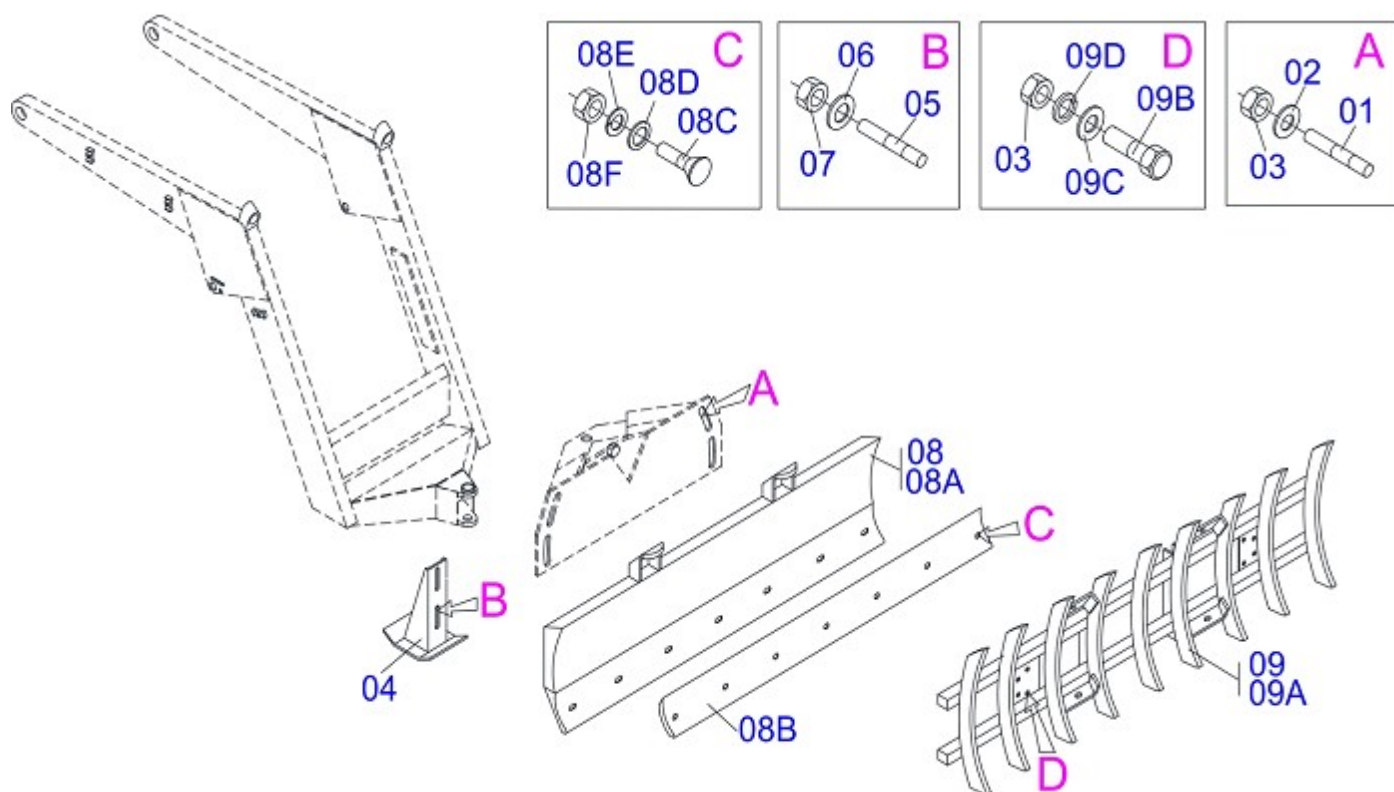
MARCHESAN RESERVES THE RIGHT AT ANY TIME TO MAKE IMPROVEMENTS IN THE DESIGN, MATERIAL OR SPECIFICATIONS OF MACHINERY, EQUIPMENT OR PARTS WITHOUT THEREBY BECOMING LIABLE TO MAKE SIMILAR CHANGES IN MACHINERY, EQUIPMENT OR PARTS PREVIOUSLY SOLD.



Item	Code	Description	
001	0511067280	RIGHT FRAME	01
002	0511067281	LEFT FRAME	01
003	0501048302	MOBILE SUPPORT ASSY	01
003A	0511062956	MOBILE SUPPORT	01
003B	0501062637	5/8" REGULATOR SUPPORT	01
003C	0521010618	1.4" X 8.6" COUPLING SHAFT	01
003D	0521010612	1.4" X 3.5" COUPLING SHAFT	01
003E	0503010010	1/4" X 2.1/2" COTTERPIN	02
004	0501041796	MOBILE SUPPORT GUIDE ASSY	01
004A	0501063133	MOBILE SUPPORT GUIDE	01
004B	0501014687	FRONT PROTECTION	01
004C	0503010751	3/8" X 1.1/4" HEX BOLT G.5	03
004D	0501010984	FLAT WASHER	03
004E	0503010026	3/8" NUT	03
005	0501012140	FLAT WASHER	08
006	0503010013	5/8" NUT	06
007	0503010027	5/8" SPRING WASHER	12
008	0501010322	FLAT WASHER	16
009	0503013110	M20 X 2" BOLT	08
010	0501069121	RH FRAME BRACKET	01
011	0501069122	LH FRAME BRACKET	01
012	0501063751	1.5" X 5.5" PIVOT SHAFT	02
013	0521017844	1730 ATTACHMENT BAR	02
014	0501041856	1.1/4" NC X 1430 ROD	02
014A	0501041855	1.1/4" X 1430 ROD	01
014B	0502012180	CONICAL SPRING WASHER	02
014C	0501010087	1.1/4" UNC NUT	04
015	0501041849	1.1/4" NC X 910 ROD	01
015A	0501014914	1.1/4" X 910 ROD	01
016	0503013896	M20 X 2,5 BOLT	04
017	0501063959	PIVOT SHAFT	02
018	0501063958	1.5" X 4.3" PIVOT SHAFT LOCK	02
019	0503010962	5/8" X 1-1/4" BOLT	06



Item	Code	Description	
020	0511067285	RH SUPPORT	01
021	0511067286	LH SUPPORT	01
022	0503010002	GREASE FITTING	02
023	0501010100	5/8" X 2" BOLT	06
024	0503013366	M20 X 0.0984" X 4.33 BOLT	04
025	0501010500	3/4" X 3" BOLT	04
026	0503010023	3/4" SPRING WASHER	20
027	0503010014	3/4" NUT	04
028	0501068213	5/8" WRENCH DOUBLE	01
029	0501061617	1" WRENCH CYLINDRICAL HEX	01
030	0501080074	1/2" X 86" TR-TM HOSE ASSY	02
031	0503013493	T CONNECTION MALE	02
032	0501081109	1/2" X 1850 TR-TR HOSE	02
033	0501080103	1/2" X 47" TR-TR HOSE ASSY	02
034	0501044368	HYDRAULIC CYLINDER	01
035	0501044369	HYDRAULIC CYLINDER	01
036	0501053834	QUICK CONECTION (MALE) 1/2NPT	02



Item	Code	Description	2000/2400/2600
1	0501010572	1 UNC X 1 UNS X 76 PRISONER	04 04 04
2	0501010574	FLAT WASHER	04 04 04
3	0501010059	1" NUT HEX	04 04 04
4	0501063411	ESTABILIZER BRACKET	02 02 02
5	0501010571	3/4 NC X 3/4 NF X 56 PRISONER	04 04
6	0501010322	FLAT WASHER	04 04
7	0503010335	3/4" NUT	04 04
8	0501047707	2000 BLADE SUPPORT	01
8.	0501047708	2400 BLADE SUPPORT	01
8..	0501047710	2600MM BLADE SUPPORT ASSY	01
8A	0501067998	1990MM BLADE SUPPORT	01
8A.	0501067999	2390 BLADE SUPPORT	01
8A..	0501068001	2590MM BLADE SUPPORT ASSY	01
8B	0622360015	2000 SCRAPER REVERSIBLE	01
8B.	0622360016	94.5" SCRAPER REVERSIBLE	01
8B..	0622360011	2600 SCRAPER REVERSIBLE	01
8C	0501012240	5/8" X 2-1/2" BOLT	07 08 08
8D	0501012140	FLAT WASHER	07 08 08
8E	0503011445	5/8" SPRING WASHER	07 08 08
8F	0503010013	5/8" NUT	07 08 08
9	0501042140	7 TEETH Rooth RAKER	01
9.	0501042141	9 TEETH Rooth RAKER	01 01
9..	0501042143	11 TEETH Rooth RAKER	01 01
9A	0501060924	REFUSE RAKER	01
9A.	0501060958	9 TEETH Rooth RAKER	01 01
9A..	0501063951	11 REFUSE RAKER	01 01
9B	0501010276	1" X 3" BOLT	04 04 04
9C	0501010065	FLAT WASHER	04 04 04
9D	0503010012	1" SPRING WASHER	04 04 04



MARCHESAN

MARCHESAN IMPLEMENTOS E MÁQUINAS AGRÍCOLAS TATU S.A.

AV. Marchesan, 1979 - Post office box, 131 - CEP 15994-900 - Matão - SP - Brazil

Phone +55 16.3382-8282

(FAX Parts) + 55 16.3382. 8297 - (Export) + 55 16.3382.1003

e.mail: tatu@marchesan.com.br www.marchesan.com.br

*Drafting and Illustration = GASPARI
e.mail = jgaspari@marchesan.com.br*

**ORIGINAL PARTS
TATU**



MARCHESAN