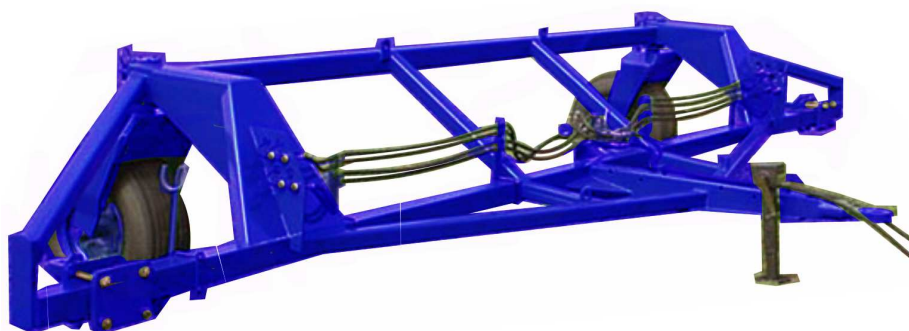


PARTS CATALOG

DOUBLE HEADING

**DOUBLE HEAD ULTRA / ULTRA FLEX /
COP**

Code: 0501090657



Series: S-0802

Rev.: 00

Date Rev.: AGOSTO/2002

**ORIGINAL PARTS
TATU**



PRODUCTS

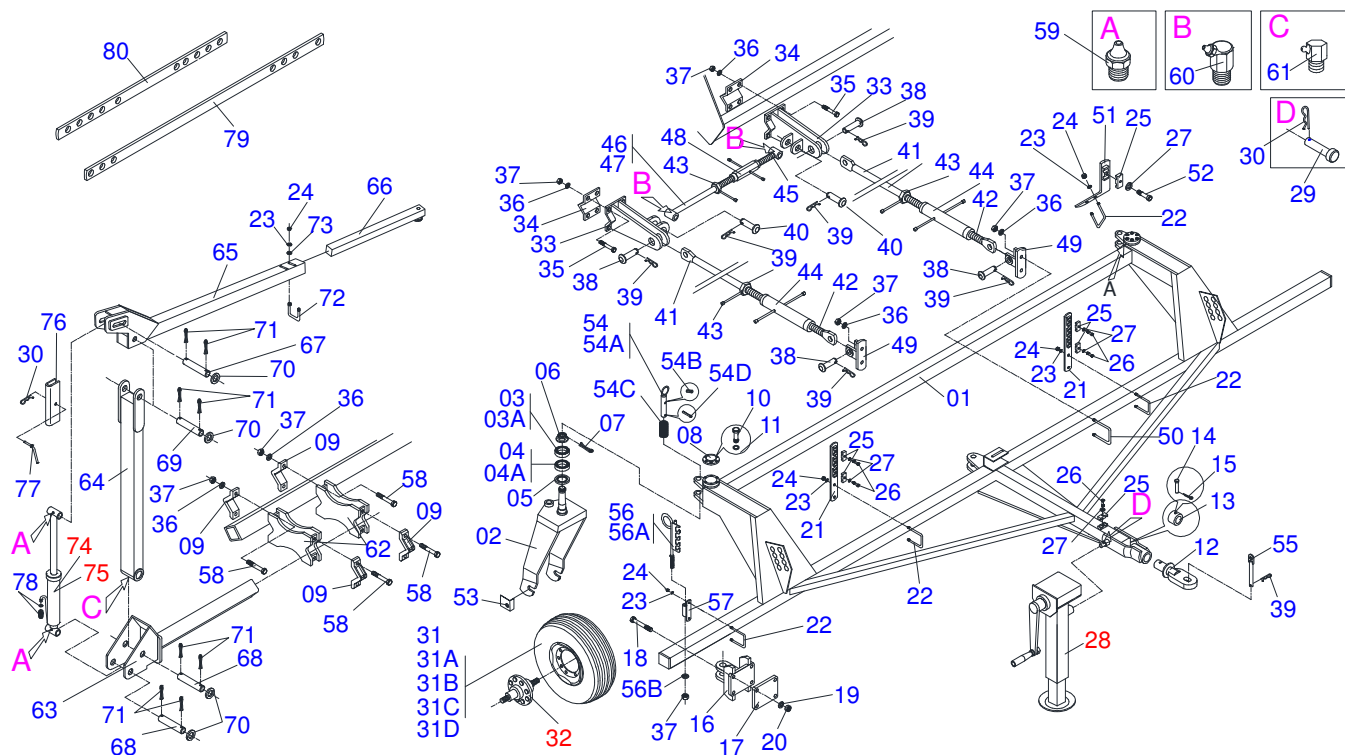
Code	Description
0511057626	CAB DUP SM S/MH ULTR F/COP F 9 S-0802
0501054405	CAB DUP SM ULTR F/COP F/ 9 S-0802
0521044805	CAB DUP ULTR F 10 ESPECIAL S-0802
0521042043	CAB DUP ULTR F 11 C/PM400 S-0802
0511041256	CAB DUP ULTR F 15 S-0802
0521044766	CAB DUP ULTR F SUP 10ESPECIAL S0802
0511041969	CAB DUP ULTR F SUPR 11 S-0802
0521044507	CAB DUP ULTRA F 11 S/MH S-0802
0521044772	CAB DUP ULTRA FLEX 10 S-0802
0521044685	CAB DUP ULTRA FLEX 9 S-0802
0511041968	CAB DUP ULTRA FLEX SUP 9 S-0802
0511041306	CAB DUP ULTRA FLEX SUP 9 MTH S-0802
0521040824	CAB DUPL COMPL ULTR F S/ML 15 S0802
0511041972	CAB DUPLO C ULTRA P 11 S-0802
0511041974	CAB DUPLO C ULTRA P 15 S-0802
0511041307	CAB DUPLO COMP ULTRA FLEX 11 S-0802
0511041308	CAB DUPLO COMP ULTRA FLEX 13 S-0802
0511041963	CAB DUPLO COMPL COP 11 S-0802
0511041964	CAB DUPLO COMPL COP 13 S-0802
0511041966	CAB DUPLO COMPL COP SUPR 11 S-0802
0511041973	CAB DUPLO COMPL ULTRA 13 S-0802
0511041962	CAB DUPLO COP 9 S-0802
0511041965	CAB DUPLO COP SUPR 9 S-0802
0521046401	CAB DUPLO S/MH ULTRA FLEX 9 S-0802
0511041971	CAB DUPLO ULTRA P/PST4 9 S-0802

ATTENTION: **IMPORTANT**

MARCHESAN S/A RESERVES THE RIGHT AT ANY TIME TO MAKE IMPROVEMENTS IN THE DESIGN, MATERIAL OR SPECIFICATIONS OF MACHINERY, EQUIPMENT OR PARTS WITHOUT THEREBY BECOMING LIABLE TO MAKE SIMILAR CHANGES IN MACHINERY, EQUIPMENT OR PARTS PREVIOUSLY SOLD.

INDEX

0909092994	DOUBLE DRAWBAR FRAMEULTRA 9 S-0802	1
0909092996	HYDRAULIC CIRCUIT	2
0909093004	DOUBLE DRAWBAR FRAME ULTRA 11 S-802	3
0909093005	HYDRAULIC CIRCUIT ULTRA 11	4
0909093006	DOUBLE DRAWBAR FRAME ULTRA 13	5
0909093007	HYDRAULIC CIRCUIT ULTRA 13 S-0802	6
0909093008	DOUBLE DRAW FRAME ULTRA 15 S-0802	7
0909093009	HYDRAULIC CIRCUIT ULTRA 15	8
0501051799	STUB SHAFT & HUB ASSY	9
0511041259	DRAWBAR JACK ASSY	10
0501045149	1.5"X2.5"X30"X18"RH HYDRAULICCYLINDER	11
0501046485	1.5"X 2.5"X 30"X 18"LEFT HYDRAULIC CYLINDER	12
0909092995	DOUBLE DRAWBAR FRAME ULTRA FLEX 9	13
0909093001	HYDRAULIC CIRCUIT ULTRAFLEX 9	14
0909093002	DOUBLE DRAWBAR FRAME ULTRA FLEX 11	15
0909093003	HYDRAULIC CIRCUIT ULTRAFLEX 11	16
0909092796	DOUBLE DRAWBAR ULTRA FLEX 13 S-0804	17
0909092797	HYDRAULIC CIRCUIT ULTRA FLEX 13	18
0909090203	DOUBLE DAWBAR ULTRAFLEX 15	19
0909090204	HYDRAULIC CIRCUIT ULTRAFLEX 15	20
0909093023	DOUBLE DRAWBAR COP 9 S-0802	21
0909093024	DOUBLE DRAWBAR COP 11 S-0802	22
0909093026	DOUBLE DRAWBAR COP 13 S-0802	23

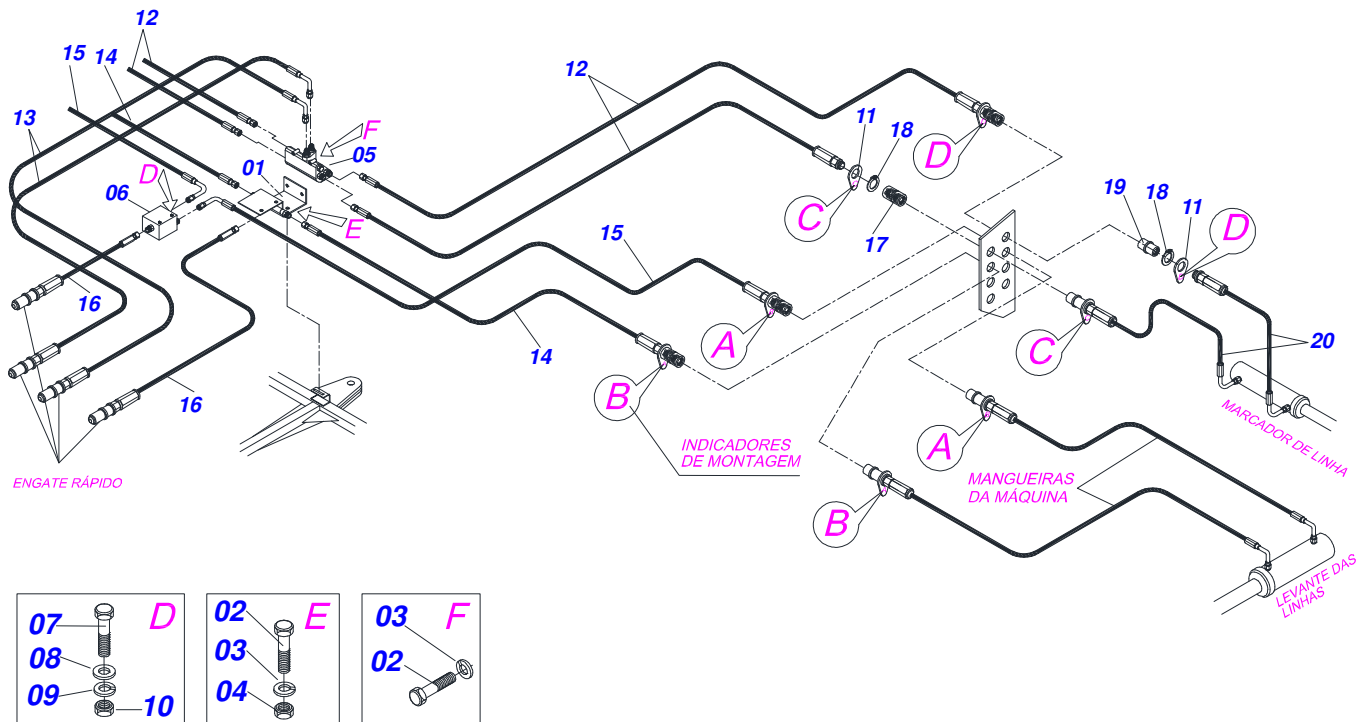


Item	Code	Description	
01	0511064304	FRAME HEADER DOUBLE	01
02	0511064219	FORK WHEEL DRAWBAR DOUBLE	02
03	0503010641	3920 CAP	02
03A	0503010612	3982 CONE	02
04	0503010624	33462 CAP	04
04A	0503010623	33287 CONE	02
05	0503013106	SEAL 00085-B	02
06	0502040080	2.1/2" UM FLANGE NUT	02
07	0503011345	1/4" X 3-1/2" COTTERPIN	02
08	0511015318	HUB COVER	02
09	0502010175	HITCH CLAMP	08
10	0503010240	5/16" X 3/4" BOLT	12
11	0503010179	SPRING WASHER	12
12	0501069632	TRACTOR HITCH	01
13	0521010681	BUSHING COUPLING BODY	01
14	0521010639	COUPLING SHAFT	01
15	0503010571	1/4" X 1.1/2 COTTERPIN	01
16	0511064220	COUPLING SUPPORT DOUBLE DRAWBAR	02
17	0531017551	COUPLING SUPPORT FIXING BASE	02
18	0501014172	1" X 8" BOLT	08
19	0503010012	1" SPRING WASHER	08
20	0501010059	1.5/8 NUT	08
21	0511064222	FIXER SUPPORT BOLT HOSE	04
22	0521014021	1/2" X 4.5" X 5.4" FASTENER	04
23	0503010019	1/2" SPRING WASHER	08
24	0503010060	1/2" NUT	08
25	0502010477	UPPER CLIP	10
26	0503010751	C3/8" X 1.1/4" HEX BOLT G.5	10
27	0503010025	3/8 SPRING WASHER	10
28	0511041259	DRAWBAR JACK ASSY	01
29	0521010549	COUPLING SHAFT	01
30	0503030168	HAIR PIN	01
31	0501054863	WELL AND TIRE ASSY	02

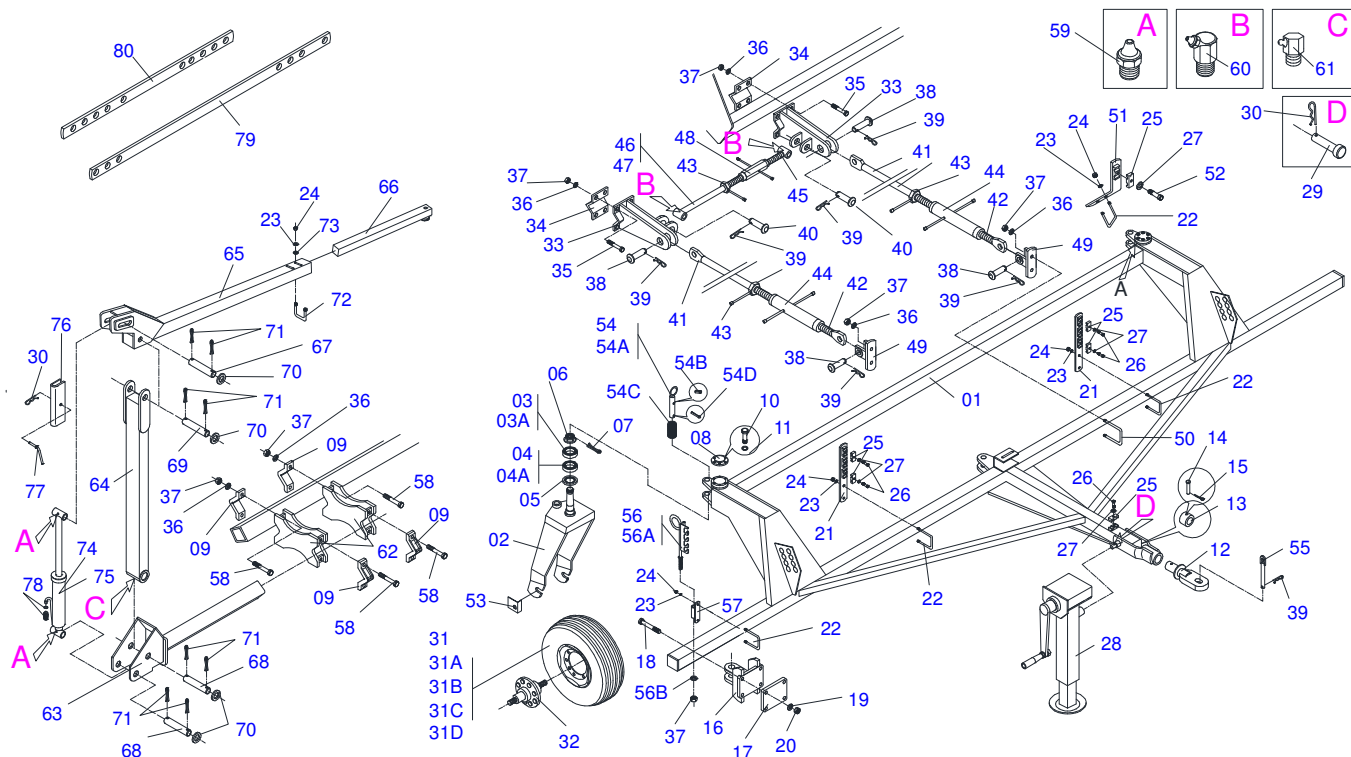


DOUBLE HEAD ULTRA / ULTRA FLEX / COP
DOUBLE DRAWBAR FRAMEULTRA 9 S-0802

Item	Code	Description	
31A	0503060414	WHEEL AND TIRE	02
31B	0503012108	RODA 10 LB X 15 X 8F X 203 GCRO	02
31C	0503010860	CAMARA AR 11L 15	02
31D	0503011469	RIB TIRE 12L	02
32	0501051799	STUB SHAFT & HUB ASSY	02
33	0501069807	FIXER SUPPORT ESTABILIZER	02
34	0521014754	FIXING BASE ESTABILIZER	02
35	0503010797	3/4" X 4" BOLT	08
36	0503010023	SPRING WASHER	28
37	0503010014	3/4" NUT	28
38	0521010593	1.1" X 3.9" COUPLING SHAFT	04
39	0503031035	HAIR PIN	06
40	0521010594	1.1" X 4.1" COUPLING SHAFT	02
41	0511064217	TURNBUCKLE WITH EAR	02
42	0501068300	TURNBUCKLE WITH EAR	02
43	0501061056	RH LOCKNUT WITH HANDLER	04
44	0501069529	653 TURNBUCKLE	02
45	0511060916	TURNBUCKLE WITH GLOVE	01
46	0511061029	TURNBUCKLE WITH GLOVE	01
47	0511060919	TURNBUCKLE WITH GLOVE	01
48	0501110262	245 ADJUSTMENT NUT	01
49	0501066284	SUPPORT FRONT TURNBUCKLE FIXER	02
50	0521012329	3/4 UNC X 130 X 173 FASTENER	02
51	0511064228	HOSE HOLDER	04
52	0503011268	3/8" X 2-1/2" BOLT	04
53	0511014788	CARRYING WHEELS AXLE LOCK	04
54	0501054862	LOCK PIN	02
54A	0511064229	LOCK PIN	01
54B	0503010292	0.2" X 1.6" SPRING PIN	01
54C	0503030978	COMPRES SPRING	01
54D	0503010131	3/16" X 1-1/2" COTTERPIN	01
55	0501068989	COUPLING SHAFT	01
56	0501040364	3/4" X 22.4" HOSE HOLDER ASSY	02
56A	0501060409	HOSE SOPPORT ASSY	02
56B	0503011442	3/4" SPRING WASHER	02
57	0511064310	FIXER PLATE FASTENER	04
58	0501010216	3/4" X 4-1/2" BOLT	16
59	0503010002	1800 GREASE FITTING	08
60	0503010004	1890 GREASE FITTING	02
61	0503010003	1845 GREASE FITTING	02
62	0511061021	SUPPORT FASTENER	04
63	0511061022	ROW MARKER SUPPORT	02
64	0511060013	ROW MARKER ARM	02
65	0511060014	ROW MARKER ARM	02
66	0511060010	1400 TURNBUCKLE	02
67	0521013347	1.1/4" X 8.4" AXLE	02
68	0521011142	1.1/4" X 7.5" AXLE	04
69	0521011141	1.1/4" X 6.5" AXLE	02
70	0501019435	FLAT WASHER	08
71	0503010523	1/4" X 2" COTTERPIN	20
72	0521012324	1/2" X 3.2" X 2.54" FASTENER	04
73	0511017302	FLAT WASHER	08
74	0501045149	1.5" X 2.5" X 30" X 18" RH HYDRAULIC CYLINDER	01
75	0501046485	1.5" X 2.5" X 30" X 18" LEFT HYDRAULIC CYLINDER	01
76	0511015573	2.07" X 1.6" TRANSPORT LOCK	02
77	0501068994	0.3" X 3.1" LOCK PIN	02
78	0501043271	3/4" NIPPLE WITH O'RING (5/16)	04
79	0501018652	CORN STABILIZER BAR	01
80	0501013714	STABILIZER BAR	01



Item	Code	Description	
01	0511066114	SEQ. VALV SUPPORT	01
02	0503010237	3/8" X 1" BOLT	04
03	0503010025	3/8 SPRING WASHER	04
04	0503010026	3/8" NUT	02
05	0501054061	SEQUENCE VALVE WITH NIPPLES	01
06	0501054694	FLOW DIVIDING VALVE ASSY	01
07	0503010373	1/4" X 2" BOLT	02
08	0501010694	FLAT WASHER	04
09	0503010143	SPRING WASHER	02
10	0503010144	1/4" NUT	02
11	0531017560	DISPLAYED IDENTIFICATION	02
12	0501080440	3/8" X 53" TR-TM HOSE ASSY	04
13	0501080678	1/2" X 150" TC-TM HOSE ASSY	02
14	0501080512	1/2" X 1400 TR-TM HOSE	02
15	0501080796	1/2" X 1400 TC-TM HOSE	02
16	0501080004	1/2" X 137.79" TR-TM HOSE ASSY	02
17	0501053835	FEMALE QUICK COUPLER	08
18	0503010217	501040 CLAMPING RING (FOR AXLE)	16
19	0501053834	MALE QUICK COUPLING AGRICULTURAL WITH	04
20	0501080779	1/2 X 1500 TM-TM HOSE ASSY	04

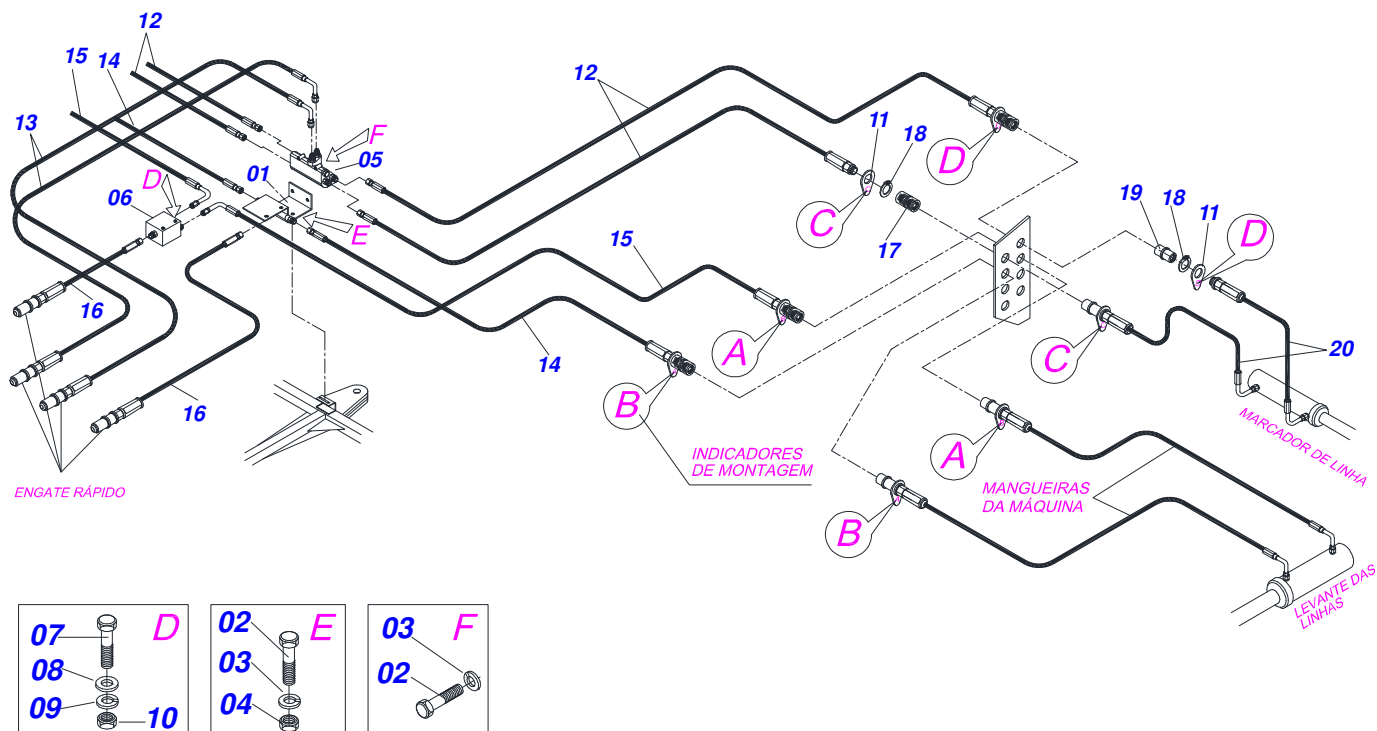


Item	Code	Description	QT
01	0511064305	FRAME HEADER DOUBLE ULTR/FLEX/COP 11	01
02	0511064219	FORK WHEEL DRAWBAR DOUBLE	02
03	0503010641	3920 CAP	02
03A	0503010612	3982 CONE	02
04	0503010624	33462 CAP	04
05	0503013106	SEAL 00085-B	02
06	0502040080	2.1/2" UM FLANGE NUT	02
07	0503011345	1/4" X 3-1/2" COTTERPIN	02
08	0511015318	HUB COVER	02
09	0502010175	HITCH CLAMP	08
10	0503010240	5/16" X 3/4" BOLT	12
11	0503010179	SPRING WASHER	12
12	0501069632	TRACTOR HITCH	01
13	0521010681	BUSHING COUPLING BODY	01
14	0521010639	COUPLING SHAFT	01
15	0503010571	1/4" X 1.1/2 COTTERPIN	01
16	0511064220	COUPLING SUPPORT DOUBLE DRAWBAR	02
17	0531017551	COUPLING SUPPORT FIXING BASE	02
18	0501014172	1" X 8" BOLT	08
19	0503010012	1" SPRING WASHER	08
20	0501010059	1.5/8 NUT	08
21	0511064222	FIXER SUPPORT BOLT HOSE	04
22	0521014021	1/2" X 4.5" X 5.4" FASTENER	04
23	0503010019	1/2" SPRING WASHER	20
24	0503010060	1/2" NUT	20
25	0502010477	UPPER CLIP	10
26	0503010751	C3/8" X 1.1/4" HEX BOLT G.5	10
27	0503010025	3/8 SPRING WASHER	10
28	0511041259	DRAWBAR JACK ASSY	01
29	0521010549	COUPLING SHAFT	01
30	0503030168	HAIR PIN	01
31	0501054863	WELL AND TIRE ASSY	01
31A	0503060414	WHEEL AND TIRE	02

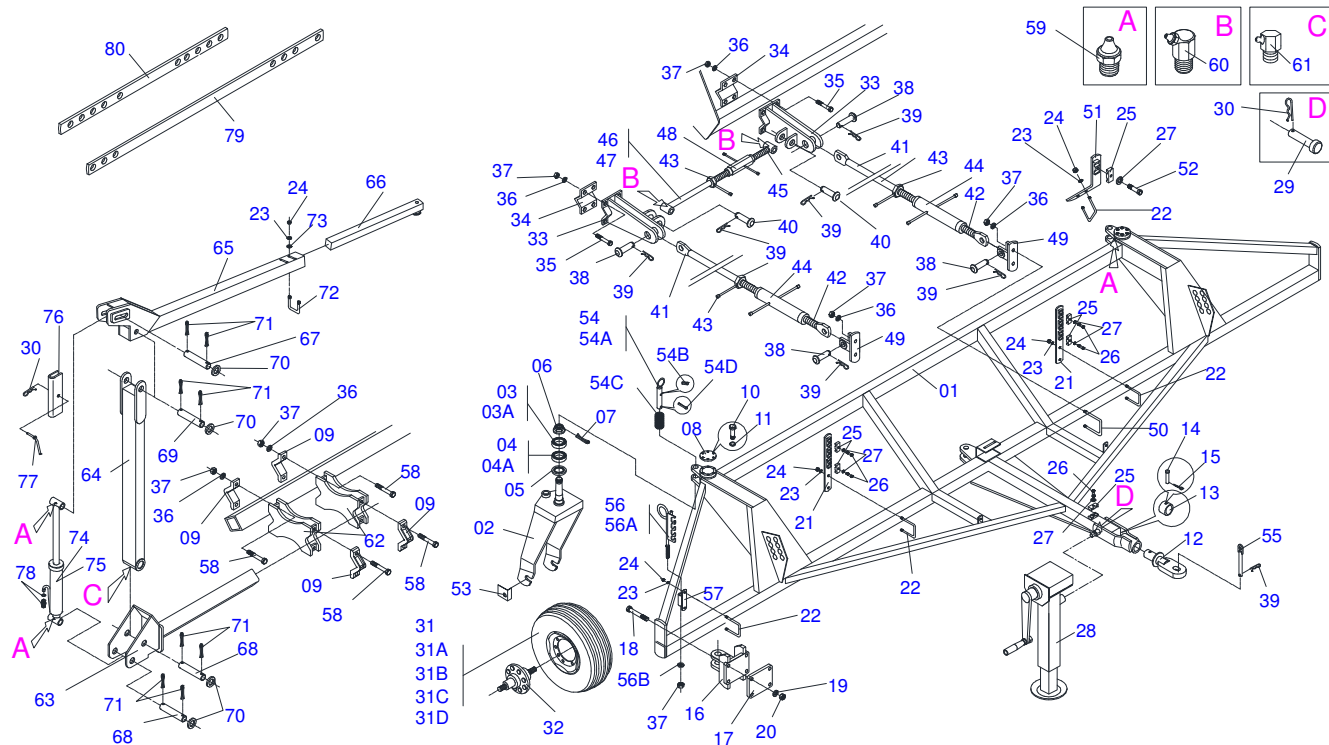


DOUBLE HEAD ULTRA / ULTRA FLEX / COP
DOUBLE DRAWBAR FRAME ULTRA 11 S-802

Item	Code	Description	QT
31B	0503012108	RODA 10 LB X 15 X 8F X 203 GCRO	02
31C	0503010860	CAMARA AR 11L 15	02
31D	0503011469	RIB TIRE 12L	
32	0501051799	STUB SHAFT & HUB ASSY	02
33	0501069807	FIXER SUPPORT ESTABILIZER	02
34	0521014754	FIXING BASE ESTABILIZER	02
35	0503010797	3/4" X 4" BOLT	08
36	0503010023	SPRING WASHER	20
37	0503010014	3/4" NUT	20
38	0521010593	1.1" X 3.9" COUPLING SHAFT	04
39	0503031035	HAIR PIN	06
40	0521010594	1.1" X 4.1" COUPLING SHAFT	02
41	0511064217	TURNBUCKLE WITH EAR	02
42	0501068300	TURNBUCKLE WITH EAR	02
43	0501061056	RH LOCKNUT WITH HANDLER	04
44	0501069529	653 TURNBUCKLE	02
45	0511060916	TURNBUCKLE WITH GLOVE	01
46	0511061029	TURNBUCKLE WITH GLOVE	01
47	0511060919	TURNBUCKLE WITH GLOVE	01
48	0501110262	245 ADJUSTMENT NUT	01
49	0501066284	SUPPORT FRONT TURNBUCKLE FIXER	02
50	0521012329	3/4 UNC X 130 X 173 FASTENER	02
51	0511064228	HOSE HOLDER	04
52	0503011268	3/8" X 2-1/2" BOLT	04
53	0531015109	WHEEL AXLE LOCK	04
54	0501054862	LOCK PIN	02
54A	0511064229	LOCK PIN	01
54B	0503010292	0.2" X 1.6" SPRING PIN	01
54C	0503030978	COMPRES SPRING	01
54D	0503010131	3/16" X 1-1/2" COTTERPIN	01
55	0501068989	COUPLING SHAFT	01
56	0501040364	3/4" X 22.4" HOSE HOLDER ASSY	02
56A	0501060409	HOSE SOPPORT ASSY	02
56B	0503011442	3/4" SPRING WASHER	02
57	0511064310	FIXER PLATE FASTENER	04
58	0501010216	3/4" X 4-1/2" BOLT	16
59	0503010002	1800 GREASE FITTING	08
60	0503010004	1890 GREASE FITTING	02
61	0503010003	1845 GREASE FITTING	02
62	0511061021	SUPPORT FASTENER	04
63	0511061022	ROW MARKER SUPPORT	02
64	0511060013	ROW MARKER ARM	02
65	0511060014	ROW MARKER ARM	02
66	0511060010	1400 TURNBUCKLE	02
67	0521013347	1.1/4" X 8.4" AXLE	02
68	0521011142	1.1/4" X 7.5" AXLE	04
69	0521011141	1.1/4" X 6.5" AXLE	02
70	0501019435	FLAT WASHER	08
71	0503010523	1/4" X 2" COTTERPIN	20
72	0521012324	1/2" X 3.2" X 2.54" FASTENER	04
73	0511017302	FLAT WASHER	08
74	0501045149	1.5" X 2.5" X 30" X 18" RH HYDRAULIC CYLINDER	01
75	0501046485	1.5" X 2.5" X 30" X 18" LEFT HYDRAULIC CYLINDER	01
76	0511015573	2.07" X 1.6" TRANSPORT LOCK	02
77	0501068994	0.3" X 3.1" LOCK PIN	02
78	0501043271	3/4" NIPPLE WITH O'RING (5/16)	04
79	0501018652	CORN STABILIZER BAR	01
80	0501013714	STABILIZER BAR	01
81	0511062325	CHAIN TIGHTENER LEVER	01



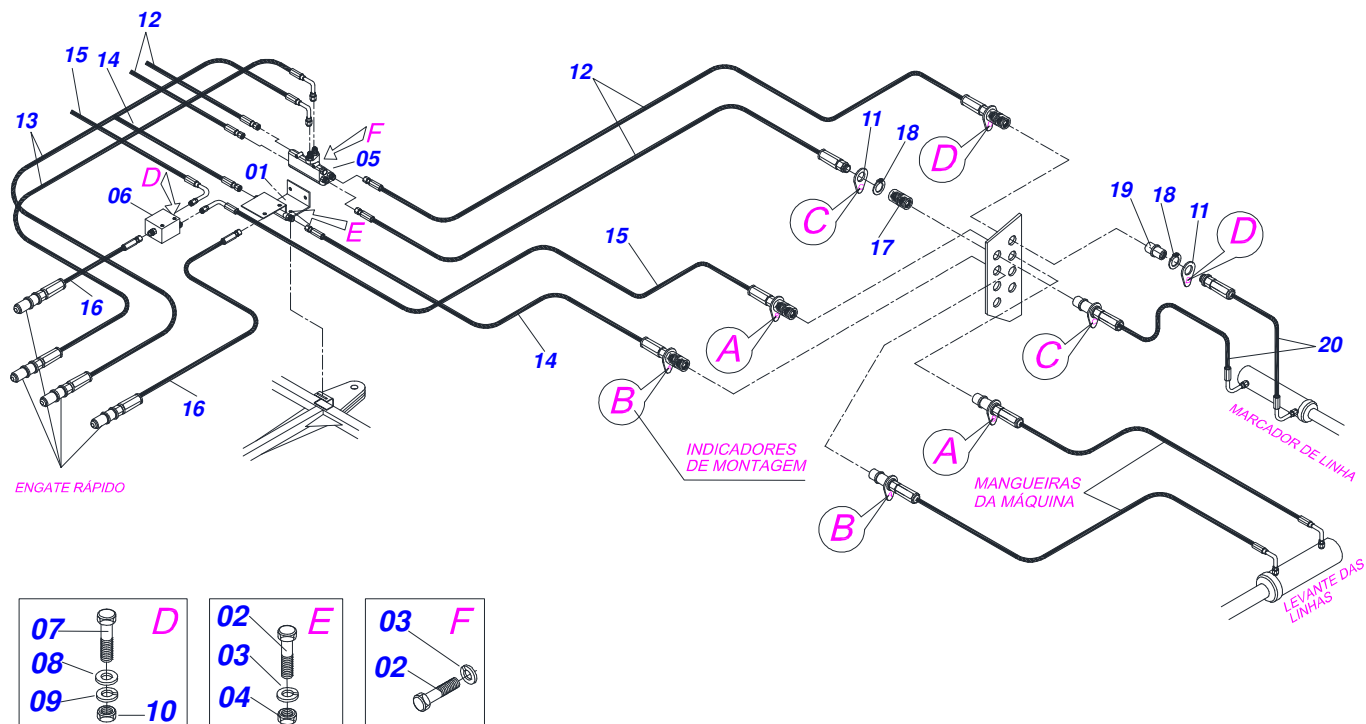
Item	Code	Description	
01	0511066114	SEQ. VALV SUPPORT	01
02	0503010751	C3/8" X 1.1/4" HEX BOLT G.5	04
03	0503010025	3/8 SPRING WASHER	06
04	0503010026	3/8" NUT	02
05	0501054061	SEQUENCE VALVE WITH NIPPLES	01
06	0501054694	FLOW DIVIDING VALVE ASSY	01
07	0503010373	1/4" X 2" BOLT	02
08	0501010694	FLAT WASHER	04
09	0503010143	SPRING WASHER	02
10	0503010144	1/4" NUT	02
11	0531017560	DISPLAYED IDENTIFICATION	16
12	0501080846	3/8" X 1550 TR-TM HOSE	04
13	0501080678	1/2" X 150" TC-TM HOSE ASSY	02
14	0501080072	1/2" X 63" TR-TM HOSE ASSY	02
15	0501080335	1/2" X 63" TC-TM HOSE ASSY	02
16	0501080004	1/2" X 137.79" TR-TM HOSE ASSY	02
17	0501053835	FEMALE QUICK COUPLER	08
18	0503010217	501040 CLAMPING RING (FOR AXLE)	16
19	0501053834	MALE QUICK COUPLING AGRICULTURAL WITH	04
20	0501080847	3/8" X 5700 TC-TM HOSE	04



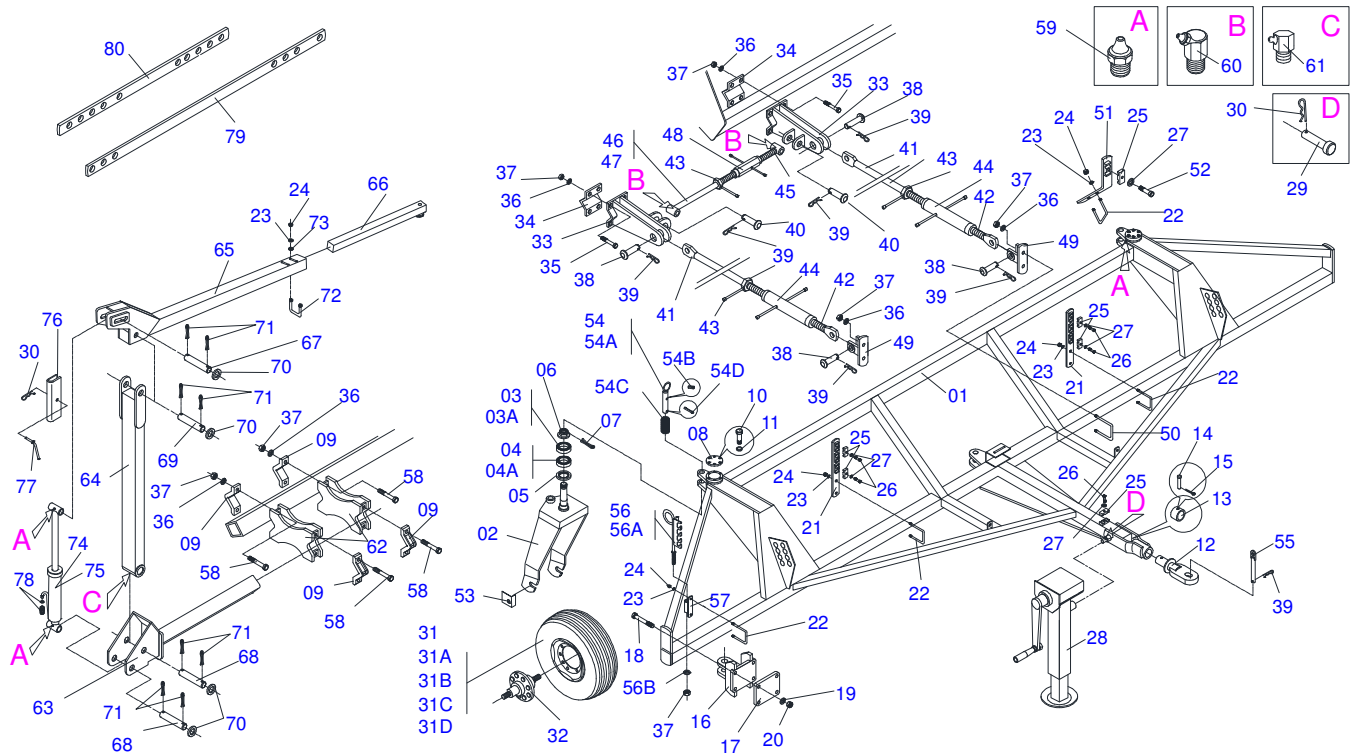
Item	Code	Description	
01	0511064306	FRAME HEADER DOUBLE	01
02	0511064219	FORK WHEEL DRAWBAR DOUBLE	02
03	0503010641	3920 CAP	02
03A	0503010612	3982 CONE	02
04	0503010624	33462 CAP	02
04A	0503010623	33287 CONE	02
05	0503013106	SEAL 00085-B	02
06	0502040080	2.1/2" UM FLANGE NUT	02
07	0503011345	1/4" X 3-1/2" COTTERPIN	02
08	0511015318	HUB COVER	02
09	0502010175	HITCH CLAMP	08
10	0503010240	5/16" X 3/4" BOLT	12
11	0503010179	SPRING WASHER	12
12	0501069632	TRACTOR HITCH	01
13	0521010681	BUSHING COUPLING BODY	01
14	0521010639	COUPLING SHAFT	01
15	0503010571	1/4" X 1.1/2 COTTERPIN	01
16	0511064220	COUPLING SUPPORT DOUBLE DRAWBAR	02
17	0531017551	COUPLING SUPPORT FIXING BASE	02
18	0501014172	1" X 8" BOLT	08
19	0503010012	1" SPRING WASHER	08
20	0501010059	1.5/8 NUT	08
21	0511064222	FIXER SUPPORT BOLT HOSE	04
22	0521014021	1/2" X 4.5" X 5.4" FASTENER	04
23	0503010019	1/2" SPRING WASHER	20
24	0503010060	1/2" NUT	20
25	0502010477	UPPER CLIP	10
26	0503010751	C3/8" X 1.1/4" HEX BOLT G.5	10
27	0503010025	3/8 SPRING WASHER	10
28	0511041259	DRAWBAR JACK ASSY	01
29	0521010549	COUPLING SHAFT	01
30	0503030168	HAIR PIN	01
31	0501054863	WELL AND TIRE ASSY	02



Item	Code	Description	
31A	0503060414	WHEEL AND TIRE	02
31B	0503012108	RODA 10 LB X 15 X 8F X 203 GCRO	02
31C	0503010860	CAMARA AR 11L 15	02
31D	0503011469	RIB TIRE 12L	02
32	0501051799	STUB SHAFT & HUB ASSY	02
33	0501069807	FIXER SUPPORT ESTABILIZER	02
34	0521014754	FIXING BASE ESTABILIZER	02
35	0503010797	3/4" X 4" BOLT	08
36	0503010023	SPRING WASHER	20
37	0503010014	3/4" NUT	20
38	0521010593	1.1" X 3.9" COUPLING SHAFT	04
39	0503031035	HAIR PIN	06
40	0521010594	1.1" X 4.1" COUPLING SHAFT	02
41	0511064217	TURNBUCKLE WITH EAR	02
42	0501068300	TURNBUCKLE WITH EAR	02
43	0501061056	RH LOCKNUT WITH HANDLER	04
44	0501069529	653 TURNBUCKLE	02
45	0511060916	TURNBUCKLE WITH GLOVE	01
46	0511061029	TURNBUCKLE WITH GLOVE	01
47	0511060919	TURNBUCKLE WITH GLOVE	01
48	0501110262	245 ADJUSTMENT NUT	01
49	0501066284	SUPPORT FRONT TURNBUCKLE FIXER	02
50	0521012329	3/4 UNC X 130 X 173 FASTENER	02
51	0511064228	HOSE HOLDER	04
52	0503011268	3/8" X 2-1/2" BOLT	04
53	0531015109	WHEEL AXLE LOCK	04
54	0501054862	LOCK PIN	02
54A	0511064229	LOCK PIN	01
54B	0503010292	0.2" X 1.6" SPRING PIN	01
54C	0503030978	COMPRES SPRING	01
54D	0503010131	3/16" X 1-1/2" COTTERPIN	01
55	0501068989	COUPLING SHAFT	01
56	0501040364	3/4" X 22.4" HOSE HOLDER ASSY	02
56A	0501060409	HOSE SOPPORT ASSY	02
56B	0503011442	3/4" SPRING WASHER	02
57	0511064310	FIXER PLATE FASTENER	04
58	0501010216	3/4" X 4-1/2" BOLT	16
59	0503010002	1800 GREASE FITTING	08
60	0503010004	1890 GREASE FITTING	02
61	0503010003	1845 GREASE FITTING	02
62	0511061021	SUPPORT FASTENER	04
63	0511061022	ROW MARKER SUPPORT	02
64	0511060013	ROW MARKER ARM	02
65	0511060014	ROW MARKER ARM	02
66	0511066265	2400 TURNBUCKLE	02
67	0521013347	1.1/4" X 8.4" AXLE	02
68	0521011142	1.1/4" X 7.5" AXLE	04
69	0521011141	1.1/4" X 6.5" AXLE	02
70	0501019435	FLAT WASHER	08
71	0503010523	1/4" X 2" COTTERPIN	20
72	0521012324	1/2" X 3.2"X 2.54" FASTENER	04
73	0511017302	FLAT WASHER	08
74	0501045149	1.5"X2.5"X30"X18"RH HYDRAULICCYLINDER	01
75	0501046485	1.5"X 2.5"X 30"X 18"LEFT HYDRAULIC CYLINDER	01
76	0511015573	2.07" X 1.6" TRANSPORT LOCK	02
77	0501068994	0.3" X 3.1"LOCK PIN	02
78	0501043271	3/4" NIPPLE WITH O'RING (5/16)	04
79	0501018652	CORN STABILIZER BAR	01
80	0501013714	STABILIZER BAR	01



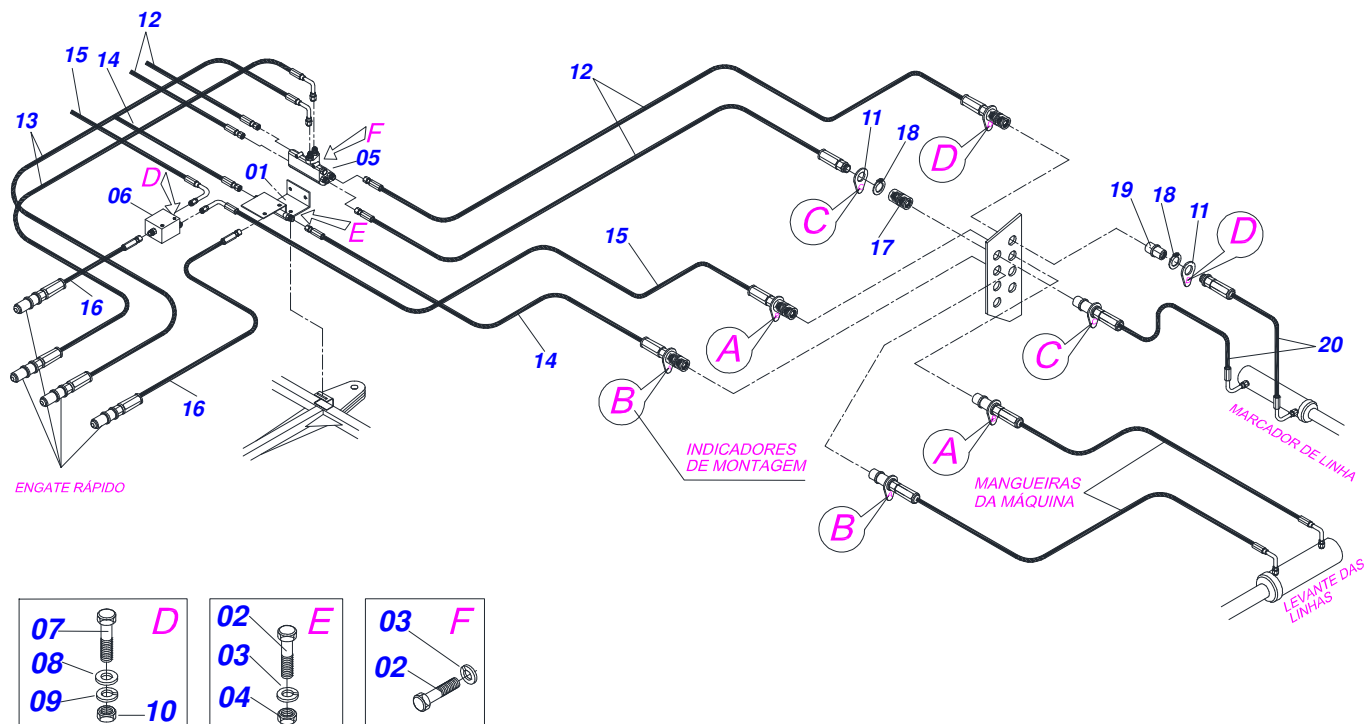
Item	Code	Description	
01	0511066114	SEQ. VALV SUPPORT	01
02	0503010751	C3/8" X 1.1/4" HEX BOLT G.5	04
03	0503010025	3/8 SPRING WASHER	02
04	0503010026	3/8" NUT	02
05	0501054061	SEQUENCE VALVE WITH NIPPLES	01
06	0501054694	FLOW DIVIDING VALVE ASSY	01
07	0503010373	1/4" X 2" BOLT	02
08	0501010694	FLAT WASHER	04
09	0503010143	SPRING WASHER	02
10	0503010144	1/4" NUT	02
11	0531017560	DISPLAYED IDENTIFICATION	16
12	0501080846	3/8" X 1550 TR-TM HOSE	04
13	0501080678	1/2" X 150" TC-TM HOSE ASSY	02
14	0501080849	1/2" X 2100 TR-TM HOSE	02
15	0501080631	1/2" X 2100 TC-TM HOSE	02
16	0501080004	1/2" X 137.79" TR-TM HOSE ASSY	02
17	0501053835	FEMALE QUICK COUPLER	08
18	0503010217	501040 CLAMPING RING (FOR AXLE)	16
19	0501053834	MALE QUICK COUPLING AGRICULTURAL WITH	04
20	0501080850	3/8" X 6100 TC-TM HOSE	04



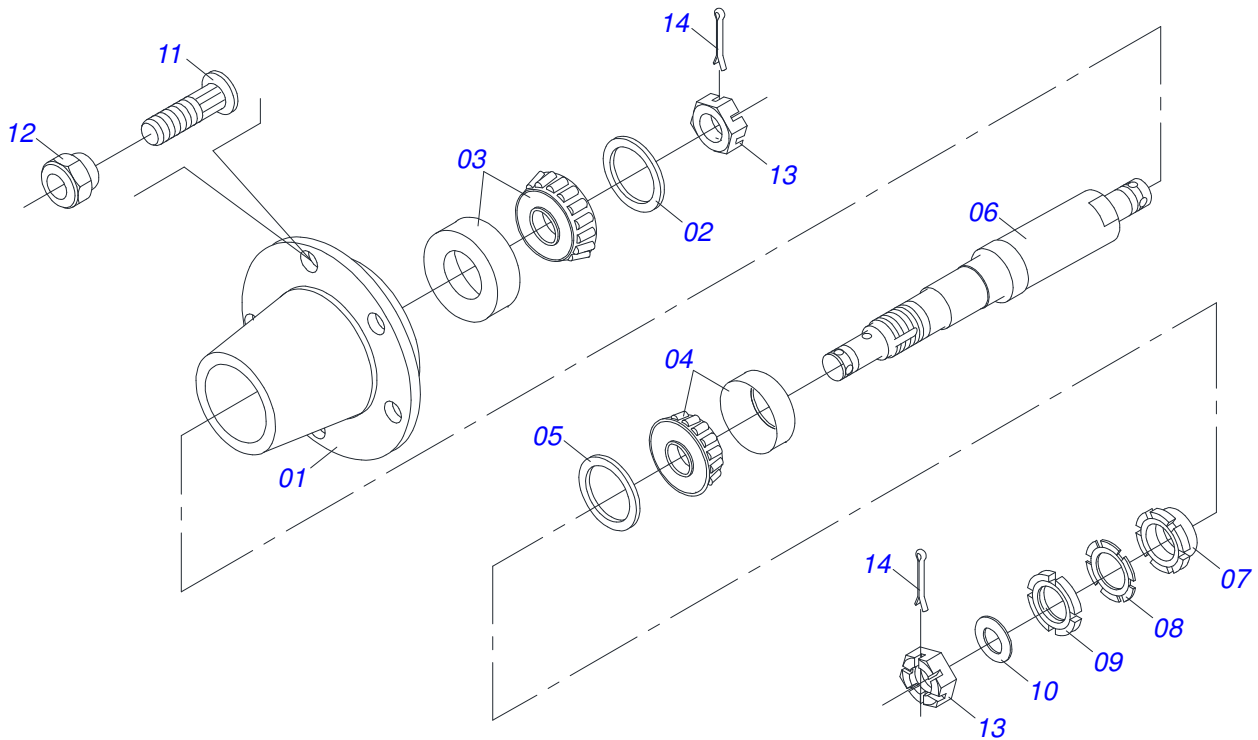
Item	Code	Description	
01	0511064218	FRAME HEADER DOUBLE	01
02	0511064219	FORK WHEEL DRAWBAR DOUBLE	02
03	0503010641	3920 CAP	02
03A	0503010612	3982 CONE	02
04	0503010624	33462 CAP	02
04A	0503010623	33287 CONE	02
05	0503013106	SEAL 00085-B	02
06	0502040080	2.1/2" UM FLANGE NUT	02
07	0503011345	1/4" X 3-1/2" COTTERPIN	02
08	0511015318	HUB COVER	02
09	0502010175	HITCH CLAMP	08
10	0503010240	5/16" X 3/4" BOLT	12
11	0503010179	SPRING WASHER	12
12	0501069632	TRACTOR HITCH	01
13	0521010681	BUSHING COUPLING BODY	01
14	0521010639	COUPLING SHAFT	01
15	0503010571	1/4" X 1.1/2 COTTERPIN	01
16	0511064220	COUPLING SUPPORT DOUBLE DRAWBAR	02
17	0531017551	COUPLING SUPPORT FIXING BASE	02
18	0501014172	1" X 8" BOLT	08
19	0503010012	1" SPRING WASHER	08
20	0501010059	1.5/8 NUT	08
21	0511064222	FIXER SUPPORT BOLT HOSE	04
22	0521014021	1/2" X 4.5" X 5.4" FASTENER	04
23	0503010019	1/2" SPRING WASHER	08
24	0503010060	1/2" NUT	20
25	0502010477	UPPER CLIP	10
26	0503010751	C3/8" X 1.1/4" HEX BOLT G.5	10
27	0503010025	3/8 SPRING WASHER	10
28	0511041259	DRAWBAR JACK ASSY	01
29	0521010549	COUPLING SHAFT	01
30	0503030168	HAIR PIN	03
31	0501054863	WELL AND TIRE ASSY	02



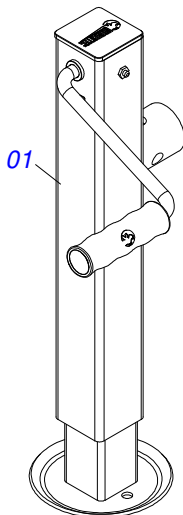
Item	Code	Description	
32	0501051799	STUB SHAFT & HUB ASSY	02
33	0501069807	FIXER SUPPORT ESTABILIZER	02
34	0521014754	FIXING BASE ESTABILIZER	02
35	0503010797	3/4" X 4" BOLT	08
36	0503010023	SPRING WASHER	20
37	0503010014	3/4" NUT	20
38	0521010593	1.1" X 3.9" COUPLING SHAFT	04
39	0503031035	HAIR PIN	06
40	0521010594	1.1" X 4.1" COUPLING SHAFT	02
41	0511064217	TURNBUCKLE WITH EAR	02
42	0501068300	TURNBUCKLE WITH EAR	02
43	0501061056	RH LOCKNUT WITH HANDLER	04
44	0501069529	653 TURNBUCKLE	02
45	0511060916	TURNBUCKLE WITH GLOVE	01
46	0511061029	TURNBUCKLE WITH GLOVE	01
47	0511060919	TURNBUCKLE WITH GLOVE	01
48	0501110262	245 ADJUSTMENT NUT	01
49	0501066284	SUPPORT FRONT TURNBUCKLE FIXER	02
50	0521012329	3/4 UNC X 130 X 173 FASTENER	02
51	0511064228	HOSE HOLDER	04
52	0503011268	3/8" X 2-1/2" BOLT	04
53	0531015109	WHEEL AXLE LOCK	04
54	0501054862	LOCK PIN	02
54A	0511064229	LOCK PIN	01
54B	0503010292	0.2" X 1.6" SPRING PIN	01
54C	0503030978	COMPRES SPRING	01
54D	0503010131	3/16" X 1-1/2" COTTERPIN	01
55	0501068989	COUPLING SHAFT	01
56	0501040364	3/4" X 22.4" HOSE HOLDER ASSY	02
56A	0501060409	HOSE SOPPORT ASSY	02
56B	0503011442	3/4" SPRING WASHER	02
57	0511064310	FIXER PLATE FASTENER	04
58	0501010216	3/4" X 4-1/2" BOLT	16
59	0503010002	1800 GREASE FITTING	08
60	0503010004	1890 GREASE FITTING	02
61	0503010003	1845 GREASE FITTING	02
62	0511061021	SUPPORT FASTENER	04
63	0511061022	ROW MARKER SUPPORT	02
64	0511060013	ROW MARKER ARM	02
65	0511060014	ROW MARKER ARM	02
66	0511066265	2400 TURNBUCKLE	02
67	0521013347	1.1/4" X 8.4" AXLE	02
68	0521011142	1.1/4" X 7.5" AXLE	04
69	0521011141	1.1/4" X 6.5" AXLE	02
70	0501019435	FLAT WASHER	08
71	0503010523	1/4" X 2" COTTERPIN	20
72	0521012324	1/2" X 3.2"X 2.54" FASTENER	04
73	0511017302	FLAT WASHER	08
74	0501045149	1.5"X2.5"X30"X18"RH HYDRAULICCYLINDER	01
75	0501046485	1.5"X 2.5"X 30"X 18"LEFT HYDRAULIC CYLINDER	01
76	0511015573	2.07" X 1.6" TRANSPORT LOCK	02
77	0501068994	0.3" X 3.1"LOCK PIN	02
78	0501043271	3/4" NIPPLE WITH O'RING (5/16)	04
79	0501018652	CORN STABILIZER BAR	01
80	0501013714	STABILIZER BAR	01



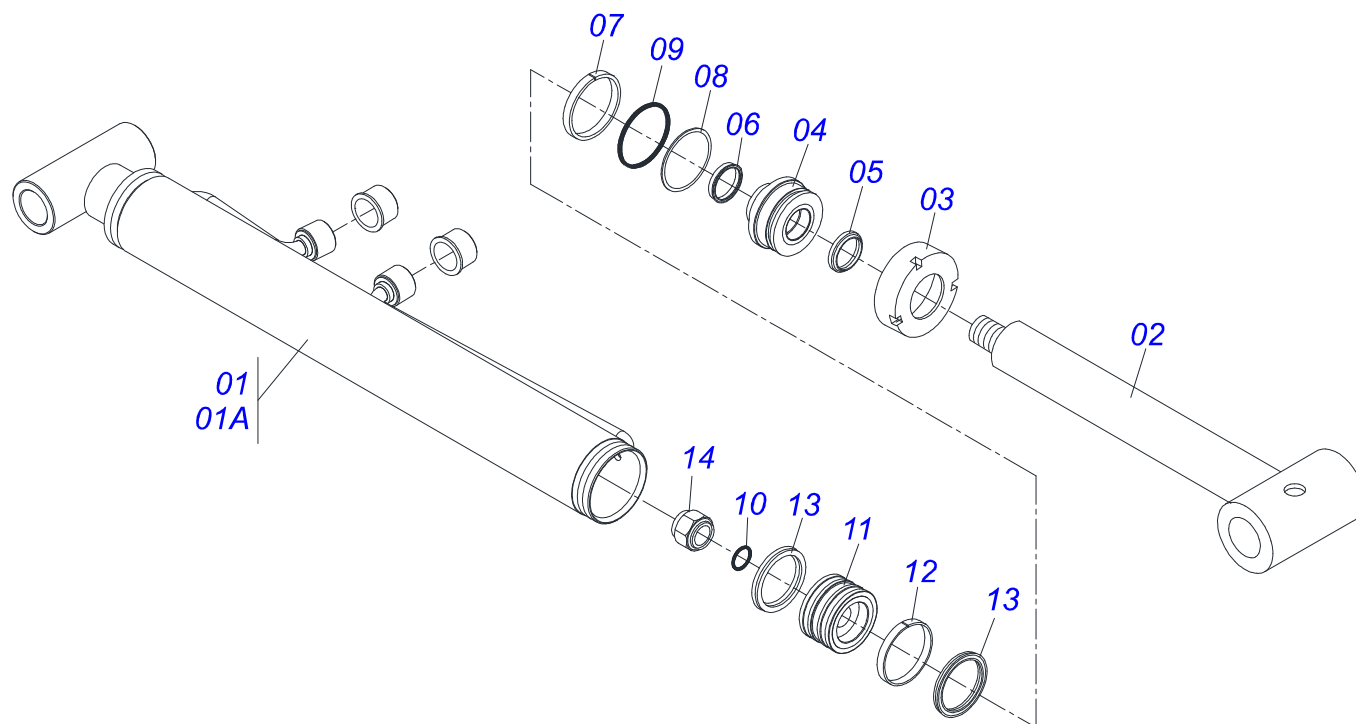
Item	Code	Description	
01	0511066114	SEQ. VALV SUPPORT	01
02	0503010751	C3/8" X 1.1/4" HEX BOLT G.5	04
03	0503010025	3/8 SPRING WASHER	02
04	0503010026	3/8" NUT	02
05	0501054061	SEQUENCE VALVE WITH NIPPLES	01
06	0501054694	FLOW DIVIDING VALVE ASSY	01
07	0503010373	1/4" X 2" BOLT	02
08	0501010694	FLAT WASHER	04
09	0503010143	SPRING WASHER	02
10	0503010144	1/4" NUT	02
11	0531017560	DISPLAYED IDENTIFICATION	16
12	0501080251	3/8" X 96" TR-TM HOSE	04
13	0501080678	1/2" X 150" TC-TM HOSE ASSY	02
14	0501080259	1/2" X 100" TR-TM HOSE ASSY	02
15	0501080097	1/2" X 98" TC-TM HOSE ASSY	02
16	0501080004	1/2" X 137.79" TR-TM HOSE ASSY	02
17	0501053835	FEMALE QUICK COUPLER	08
18	0503010217	501040 CLAMPING RING (FOR AXLE)	16
19	0501053834	MALE QUICK COUPLING AGRICULTURAL WITH	04
20	0501080778	3/8" X 256" TC-TM HOSE ASSY	04



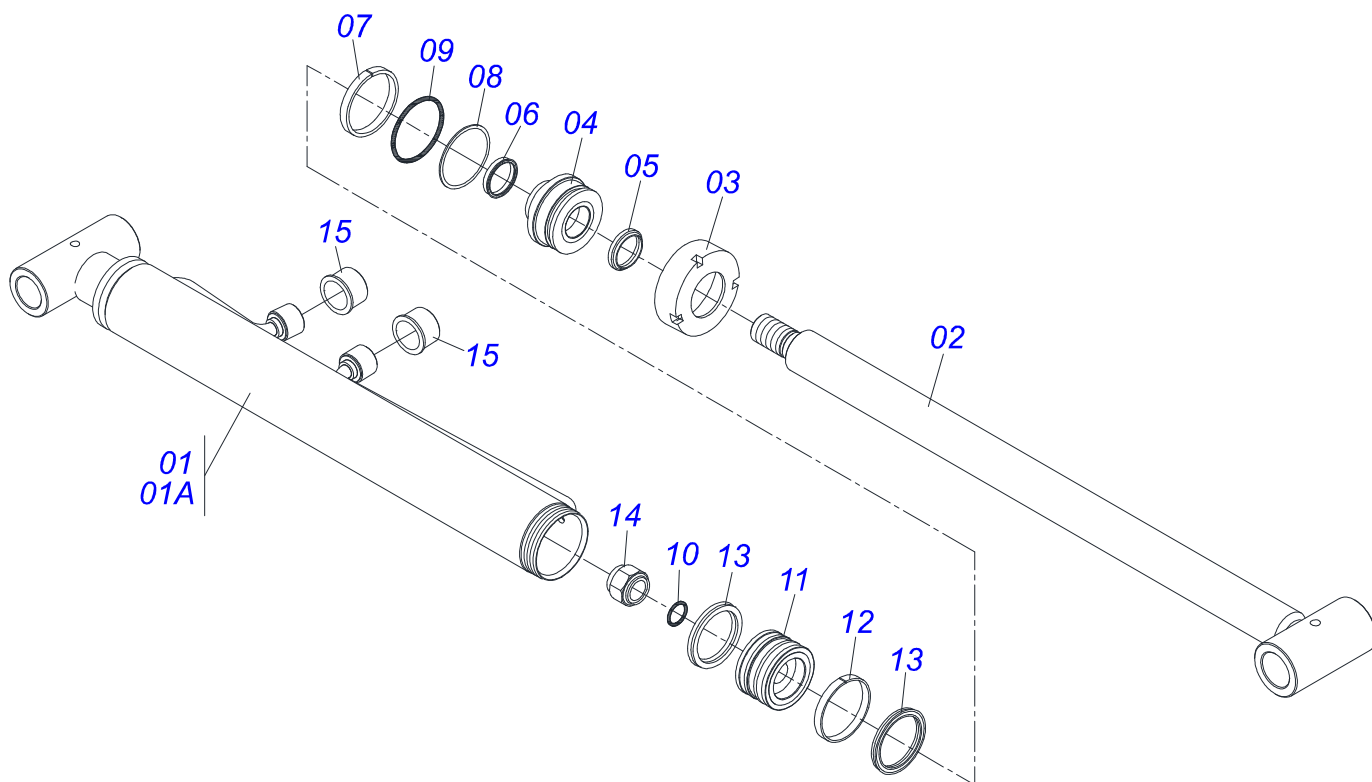
Item	Code	Description	
01	0502010908	CARRYING WHEEL HUB	01
02	0503012159	4.0" X 2.5" X 0.5" SEAL 5144	01
03	0503010008	ROLAMENTO 3780/37203	01
04	0503010328	25590/25523 ROLLER BEARING	01
05	0503012162	5046 BAG SEAL RING	01
06	0521011209	425 TRANSP WHEEL AXLE	01
07	0511015949	LOCK NUT	01
08	0503010329	LOCK WASHER	01
09	0503010330	KM 9 LOCKNUT	01
10	0501010086	FLAT WASHER	01
11	0501010186	PARAFUSO ROD 5/8UNF X 2.1/8CR	08
12	0503010064	5/8 UNF CONIC NUT	08
13	0503011052	1.1/4" X 0.77" CASTLE NUT	02
14	0503010067	3/16" X 2.1/2" COTTER PIN	02



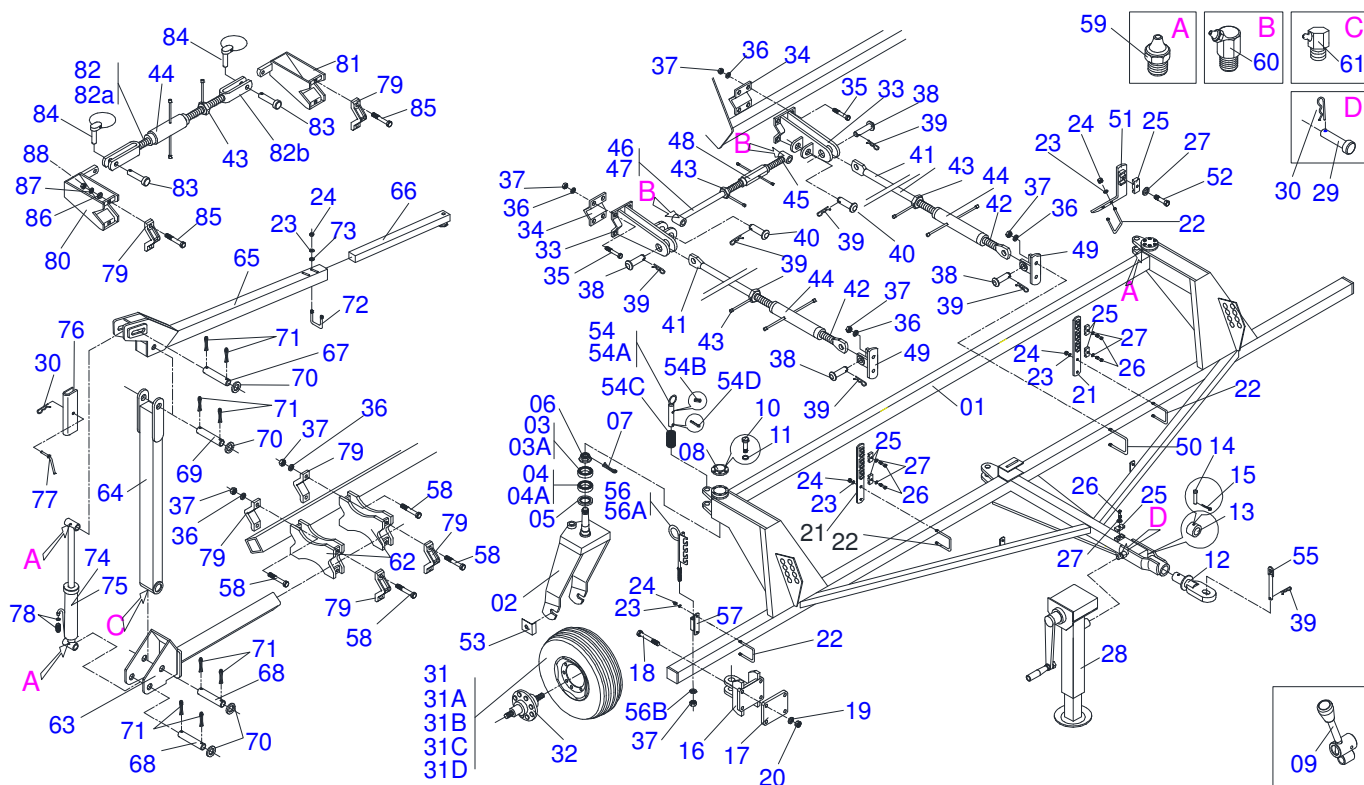
Item	Code	Description	QT
01	0503062157	HEADER JACK	01



Item	Code	Description	QT
01	0501045149	1.5"X2.5"X30"X18"RH HYDRAULICCYLINDER	01
01A	0501067104	2.5" X 25" CYLINDER CASE	01
02	0501069883	26.5" X 1.5" H CYLINDER TURNBUCKLE	01
03	0502010471	MOBILE COVER	01
04	0502010780	RING SUPPORT	01
05	0503010163	D-1500 SCRAPER RING	01
06	0503010989	1870-1500-375-B GASKET	01
07	0503010970	W1-1650-500 PK O'RING G.E	01
08	0503011058	8-330 BACK-UP RING	01
09	0503010161	2-330 N 3006 9B O'RING	01
10	0503010285	2-222 N 3006-9B O'RING	01
11	0502010783	1.5" X 2.5" PISTON	01
12	0503010973	W2-2500-500 PK O'RING G.E	01
13	0503010160	2500 2000 GASKET	02
14	0503010063	1" SELF-ALIGNING NUT	01
15	0503030384	CON N-001 PLUG	02



Item	Code	Description	
01	0501046485	1.5"X 2.5"X 30"X 18"LEFT HYDRAULIC CYLINDER	01
01A	0501067700	2.5" X 25" CYLINDER CASE	01
02	0501069883	26.5" X 1.5" H CYLINDER TURNBUCKLE	01
03	0502010471	MOBILE COVER	01
04	0502010780	RING SUPPORT	01
05	0503010163	D-1500 SCRAPER RING	01
06	0503010989	1870-1500-375-B GASKET	01
07	0503010970	W1-1650-500 PK O'RING G.E	01
08	0503011058	8-330 BACK-UP RING	01
09	0503010161	2-330 N 3006 9B O'RING	01
10	0503010285	2-222 N 3006-9B O'RING	01
11	0502010783	1.5" X 2.5" PISTON	01
12	0503010973	W2-2500-500 PK O'RING G.E	01
13	0503010160	2500 2000 GASKET	02
14	0503010063	1" SELF-ALIGNING NUT	01
15	0503030384	CON N-001 PLUG	02



Item	Code	Description	
01	0511064304	FRAME HEADER DOUBLE	01
02	0511064219	FORK WHEEL DRAWBAR DOUBLE	02
03	0503010641	3920 CAP	02
03A	0503010612	3982 CONE	02
04	0503010624	33462 CAP	02
04A	0503010623	33287 CONE	02
05	0503013106	SEAL 00085-B	02
06	0502040080	2.1/2" UM FLANGE NUT	02
07	0503011345	1/4" X 3-1/2" COTTERPIN	02
08	0511015318	HUB COVER	02
09	0511062325	CHAIN TIGHTENER LEVER	01
10	0503010240	5/16" X 3/4" BOLT	12
11	0503010179	SPRING WASHER	12
12	0501069632	TRACTOR HITCH	01
13	0521010681	BUSHING COUPLING BODY	01
14	0521010639	COUPLING SHAFT	01
15	0503010571	1/4" X 1.1/2 COTTERPIN	01
16	0511064220	COUPLING SUPPORT DOUBLE DRAWBAR	02
17	0531017551	COUPLING SUPPORT FIXING BASE	02
18	0501014172	1" X 8" BOLT	08
19	0503010012	1" SPRING WASHER	08
20	0501010059	1.5/8 NUT	08
21	0511064222	FIXER SUPPORT BOLT HOSE	04
22	0521014021	1/2" X 4.5" X 5.4" FASTENER	04
23	0503010019	1/2" SPRING WASHER	08
24	0503010060	1/2" NUT	08
25	0502010477	UPPER CLIP	10
26	0503010751	C3/8" X 1.1/4" HEX BOLT G.5	10
27	0503010025	3/8 SPRING WASHER	10
28	0511041259	DRAWBAR JACK ASSY	01
28A	0511064237	OUTER BODY DRAWBAR JACK	01
28B	0531017603	JACK SPINDLE	01
28C	0503013092	51305 BEARING	01

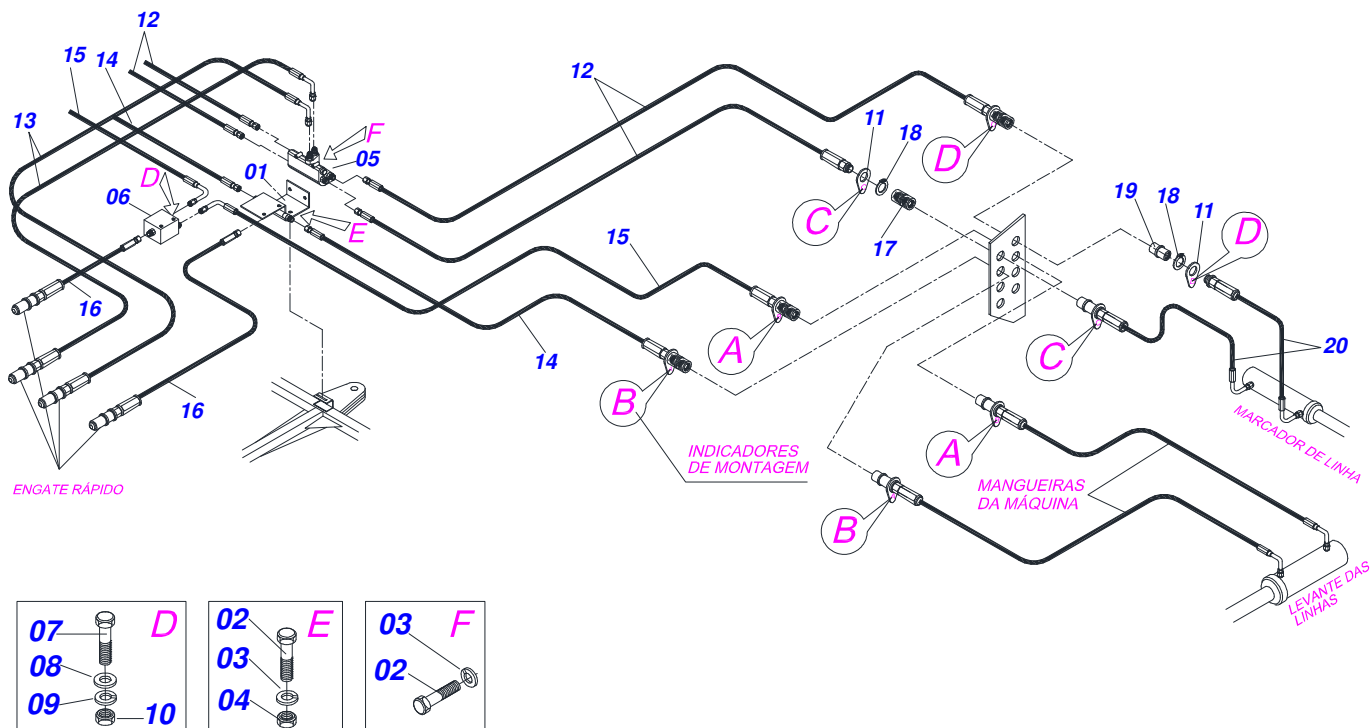


Item	Code	Description	
28D	0511064234	20Z DRIVER GEAR	01
28E	0503010561	SPRING PIN	01
28F	0503011410	ROLLER BEARING	01
28G	0503011105	SEAL RING	01
28H	0511064235	JACK CRANK	01
28I	0511064233	10Z DRIVER GEAR	01
28J	0511064236	JACK INNER BODY	01
28K	0531017602	PROTECTION COVER GEAR	01
28L	0503011312	ROTATIVE CABLE	01
29	0521010549	COUPLING SHAFT	01
30	0503030168	HAIR PIN	01
31	0501054863	WELL AND TIRE ASSY	02
31A	0503060414	WHEEL AND TIRE	02
31B	0503012108	RODA 10 LB X 15 X 8F X 203 GCRO	02
31C	0503010860	CAMARA AR 11L 15	02
31D	0503011469	RIB TIRE 12L	02
32	0501051799	STUB SHAFT & HUB ASSY	02
33	0501069807	FIXER SUPPORT ESTABILIZER	02
34	0521014754	FIXING BASE ESTABILIZER	02
35	0503010797	3/4" X 4" BOLT	08
36	0503010023	SPRING WASHER	28
37	0503010014	3/4" NUT	28
38	0521010593	1.1" X 3.9" COUPLING SHAFT	04
39	0503031035	HAIR PIN	06
40	0521010594	1.1" X 4.1" COUPLING SHAFT	02
41	0511064217	TURNBUCKLE WITH EAR	02
42	0501068300	TURNBUCKLE WITH EAR	02
43	0501061056	RH LOCKNUT WITH HANDLER	04
44	0501069529	653 TURNBUCKLE	02
45	0511060916	TURNBUCKLE WITH GLOVE	01
46	0511061029	TURNBUCKLE WITH GLOVE	01
47	0511060919	TURNBUCKLE WITH GLOVE	01
48	0501110262	245 ADJUSTMENT NUT	01
49	0501066284	SUPPORT FRONT TURNBUCKLE FIXER	02
50	0521012329	3/4 UNC X 130 X 173 FASTENER	02
51	0511064228	HOSE HOLDER	04
52	0503011268	3/8" X 2-1/2" BOLT	04
53	0511014788	CARRYING WHEELS AXLE LOCK	04
54	0501054862	LOCK PIN	02
54A	0511064229	LOCK PIN	01
54B	0503010292	0.2" X 1.6" SPRING PIN	01
54C	0503030978	COMPRES SPRING	01
54D	0503010131	3/16" X 1-1/2" COTTERPIN	01
55	0501068989	COUPLING SHAFT	01
56	0501040364	3/4" X 22.4" HOSE HOLDER ASSY	02
56A	0501060409	HOSE SOPPORT ASSY	02
56B	0503011442	3/4" SPRING WASHER	02
57	0511064310	FIXER PLATE FASTENER	04
58	0501010216	3/4" X 4-1/2" BOLT	16
59	0503010002	1800 GREASE FITTING	08
60	0503010004	1890 GREASE FITTING	02
61	0503010003	1845 GREASE FITTING	02
62	0511061021	SUPPORT FASTENER	04
63	0511061022	ROW MARKER SUPPORT	02
64	0511060013	ROW MARKER ARM	02
65	0511060014	ROW MARKER ARM	02
66	0511060010	1400 TURNBUCKLE	02
67	0521013347	1.1/4" X 8.4" AXLE	02
68	0521011142	1.1/4" X 7.5" AXLE	04
69	0521011141	1.1/4" X 6.5" AXLE	02
70	0501019435	FLAT WASHER	08
71	0503010523	1/4" X 2" COTTERPIN	20

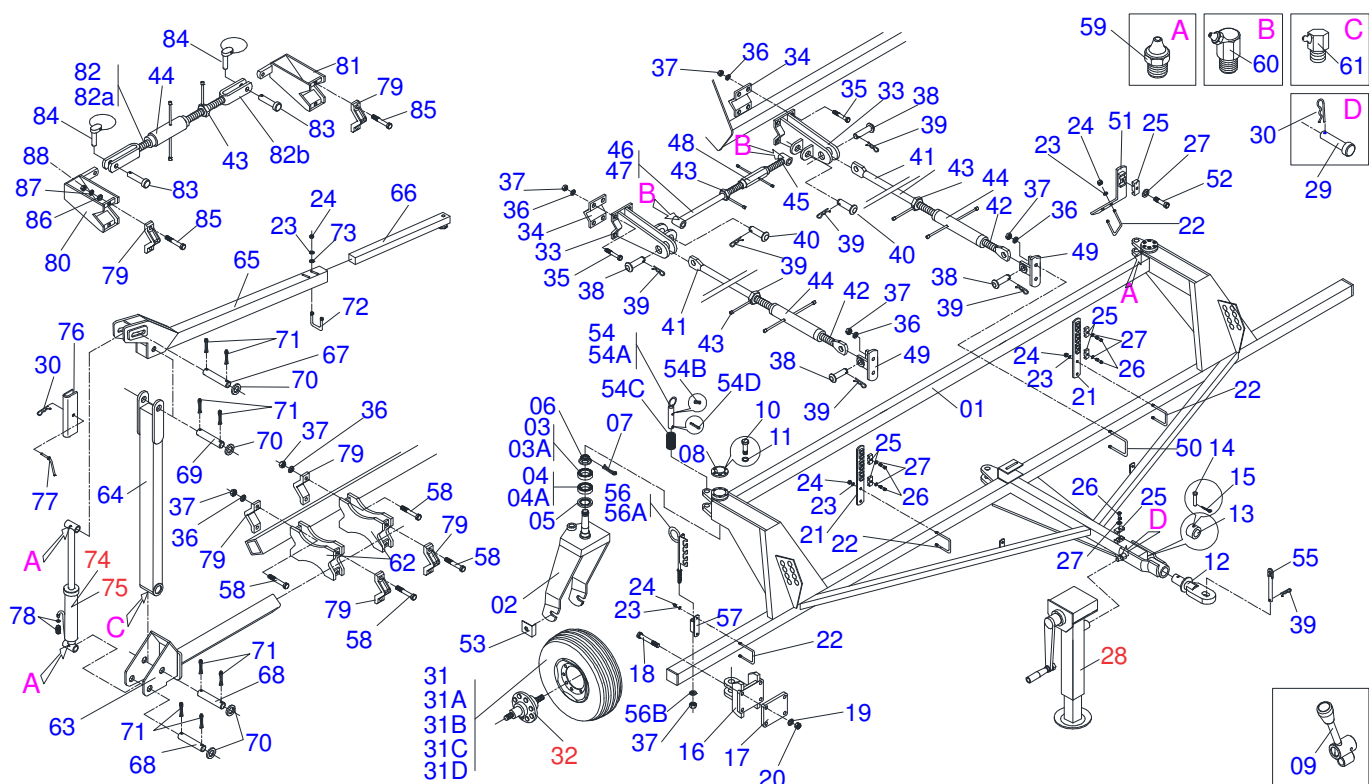


DOUBLE HEAD ULTRA / ULTRA FLEX / COP
DOUBLE DRAWBAR FRAME ULTRA FLEX 9

Item	Code	Description	
72	0521012324	1/2" X 3.2"X 2.54" FASTENER	04
73	0511017302	FLAT WASHER	08
74	0501045149	1.5"X2.5"X30"X18"RH HYDRAULICCYLINDER	01
75	0501046485	1.5"X 2.5"X 30"X 18"LEFT HYDRAULIC CYLINDER	01
76	0511015573	2.07" X 1.6" TRANSPORT LOCK	02
77	0501068994	0.3" X 3.1"LOCK PIN	02
78	0501043271	3/4" NIPPLE WITH O'RING (5/16)	04
79	0502010175	HITCH CLAMP	10
80	0511064226	SUPPORT STABILIZER REAR RIGHT DRAWBAR	01
81	0511064227	SUPPORT STABILIZER REAR LEFT DRAWBAR	01
82	0501054258	DRAWBAR ESTABILIZER ASSY	01
82A	0511060558	RIGHT TURNBUCKLE	01
82B	0511060559	LEFT TURNBUCKLE	01
83	0521010572	0.9" X 2.9" COUPLING SHAFT	02
84	0503030085	LOCK PIN	02
85	0501010163	5/8" X 4-1/2" BOLT	04
86	0501012140	FLAT WASHER	04
87	0503010027	SPRING WASHER	04
88	0503010013	5/8" NUT	04



Item	Code	Description	
01	0511066114	SEQ. VALV SUPPORT	01
02	0503010237	3/8" X 1" BOLT	04
03	0503010025	3/8 SPRING WASHER	04
04	0503010026	3/8" NUT	02
05	0501054061	SEQUENCE VALVE WITH NIPPLES	01
06	0501054694	FLOW DIVIDING VALVE ASSY	01
07	0503010373	1/4" X 2" BOLT	02
08	0501010694	FLAT WASHER	04
09	0503010143	SPRING WASHER	02
10	0503010144	1/4" NUT	02
11	0531017560	DISPLAYED IDENTIFICATION	02
12	0501080440	3/8" X 53" TR-TM HOSE ASSY	04
13	0501080678	1/2" X 150" TC-TM HOSE ASSY	02
14	0501080512	1/2" X 1400 TR-TM HOSE	02
15	0501080796	1/2" X 1400 TC-TM HOSE	02
16	0501080004	1/2" X 137.79" TR-TM HOSE ASSY	02
17	0501053835	FEMALE QUICK COUPLER	08
18	0503010217	501040 CLAMPING RING (FOR AXLE)	16
19	0501053834	MALE QUICK COUPLING AGRICULTURAL WITH	04
20	0501080844	3/8 X 5500 TC-TM HOSE	04



Item	Code	Description	QT
00	0909093002	DOUBLE DRAWBAR FRAME ULTRA FLEX 11	
01	0511064305	FRAME HEADER DOUBLE ULTR/FLEX/COP 11	01
02	0511064219	FORK WHEEL DRAWBAR DOUBLE	02
03	0503010641	3920 CAP	02
03A	0503010612	3982 CONE	02
04	0503010624	33462 CAP	02
04A	0503010623	33287 CONE	02
05	0503013106	SEAL 00085-B	02
06	0502040080	2.1/2" UM FLANGE NUT	02
07	0503011345	1/4" X 3-1/2" COTTERPIN	02
08	0511015318	HUB COVER	02
09	0511062325	CHAIN TIGHTENER LEVER	01
10	0503010240	5/16" X 3/4" BOLT	12
11	0503010179	SPRING WASHER	12
12	0501069632	TRACTOR HITCH	01
13	0521010681	BUSHING COUPLING BODY	01
14	0521010639	COUPLING SHAFT	01
15	0503010571	1/4" X 1.1/2 COTTERPIN	01
16	0511064220	COUPLING SUPPORT DOUBLE DRAWBAR	02
17	0531017551	COUPLING SUPPORT FIXING BASE	02
18	0501014172	1" X 8" BOLT	08
19	0503010012	1" SPRING WASHER	08
20	0501010059	1.5/8 NUT	08
21	0511064222	FIXER SUPPORT BOLT HOSE	04
22	0521014021	1/2" X 4.5" X 5.4" FASTENER	04
23	0503010019	1/2" SPRING WASHER	08
24	0503010060	1/2" NUT	08
25	0502010477	UPPER CLIP	10
26	0503010571	1/4" X 1.1/2 COTTERPIN	10
27	0503010025	3/8 SPRING WASHER	10
28	0511041259	DRAWBAR JACK ASSY	01
29	0521010549	COUPLING SHAFT	01
30	0503030168	HAIR PIN	01



DOUBLE HEAD ULTRA / ULTRA FLEX / COP
DOUBLE DRAWBAR FRAME ULTRA FLEX 11

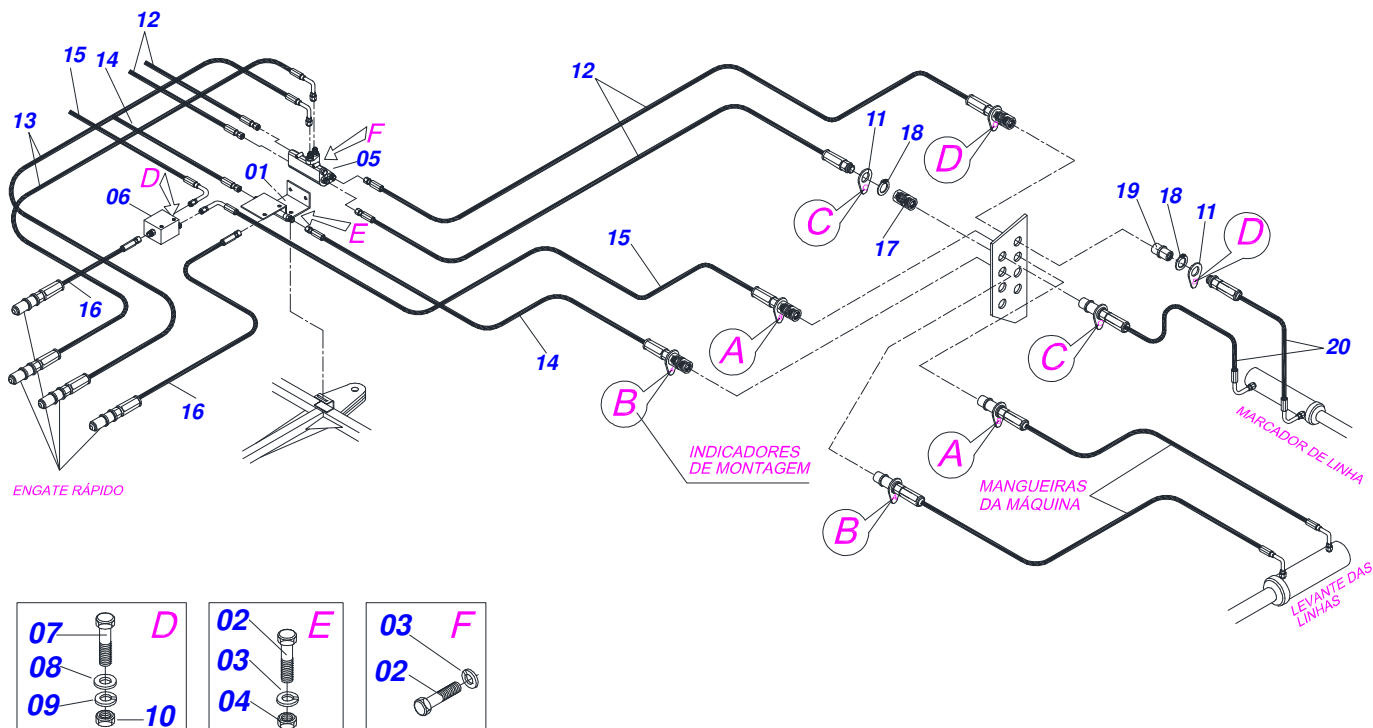
Item	Code	Description	QT
31	0501054863	WELL AND TIRE ASSY	02
31A	0503060414	WHEEL AND TIRE	02
31B	0503012108	RODA 10 LB X 15 X 8F X 203 GCRO	02
31C	0503010860	CAMARA AR 11L 15	02
31D	0503011469	RIB TIRE 12L	02
32	0501051799	STUB SHAFT & HUB ASSY	02
33	0501069807	FIXER SUPPORT ESTABILIZER	02
34	0521014754	FIXING BASE ESTABILIZER	02
35	0503010797	3/4" X 4" BOLT	08
36	0503010023	SPRING WASHER	28
37	0503010014	3/4" NUT	28
38	0521010593	1.1" X 3.9" COUPLING SHAFT	04
39	0503031035	HAIR PIN	06
40	0521010594	1.1" X 4.1" COUPLING SHAFT	02
41	0511064217	TURNBUCKLE WITH EAR	02
42	0501068300	TURNBUCKLE WITH EAR	02
43	0501061056	RH LOCKNUT WITH HANDLER	04
44	0501069529	653 TURNBUCKLE	02
45	0511060916	TURNBUCKLE WITH GLOVE	01
46	0511061029	TURNBUCKLE WITH GLOVE	01
47	0511060919	TURNBUCKLE WITH GLOVE	01
48	0501110262	245 ADJUSTMENT NUT	01
49	0501066284	SUPPORT FRONT TURNBUCKLE FIXER	02
50	0521012329	3/4 UNC X 130 X 173 FASTENER	02
51	0511064228	HOSE HOLDER	04
52	0503011268	3/8" X 2-1/2" BOLT	04
53	0531015109	WHEEL AXLE LOCK	04
54	0501054862	LOCK PIN	02
54A	0511064229	LOCK PIN	01
54B	0503010292	0.2" X 1.6" SPRING PIN	01
54C	0503030978	COMPRES SPRING	01
54D	0503010131	3/16" X 1-1/2" COTTERPIN	01
55	0501068989	COUPLING SHAFT	01
56	0501040364	3/4" X 22.4" HOSE HOLDER ASSY	02
56A	0501060409	HOSE SOPPORT ASSY	02
56B	0503011442	3/4" SPRING WASHER	02
57	0511064310	FIXER PLATE FASTENER	04
58	0501010216	3/4" X 4-1/2" BOLT	16
59	0503010002	1800 GREASE FITTING	08
60	0503010004	1890 GREASE FITTING	02
61	0503010003	1845 GREASE FITTING	02
62	0511061021	SUPPORT FASTENER	04
63	0511061022	ROW MARKER SUPPORT	02
64	0511060013	ROW MARKER ARM	02
65	0511060014	ROW MARKER ARM	02
66	0511060010	1400 TURNBUCKLE	02
67	0521013347	1.1/4" X 8.4" AXLE	02
68	0521011142	1.1/4" X 7.5" AXLE	04
69	0521011141	1.1/4" X 6.5" AXLE	02
70	0501019435	FLAT WASHER	08
71	0503010523	1/4" X 2" COTTERPIN	20
72	0521012324	1/2" X 3.2" X 2.54" FASTENER	04
73	0511017302	FLAT WASHER	08
74	0501045149	1.5" X 2.5" X 30" X 18" RH HYDRAULIC CYLINDER	01
75	0501046485	1.5" X 2.5" X 30" X 18" LEFT HYDRAULIC CYLINDER	01
76	0511015573	2.07" X 1.6" TRANSPORT LOCK	02
77	0501068994	0.3" X 3.1" LOCK PIN	02
78	0501043271	3/4" NIPPLE WITH O'RING (5/16)	04
79	0502010175	HITCH CLAMP	10
80	0511064226	SUPPORT STABILIZER REAR RIGHT DRAWBAR	01
81	0511064227	SUPPORT STABILIZER REAR LEFT DRAWBAR	01
82	0501054258	DRAWBAR ESTABILIZER ASSY	01



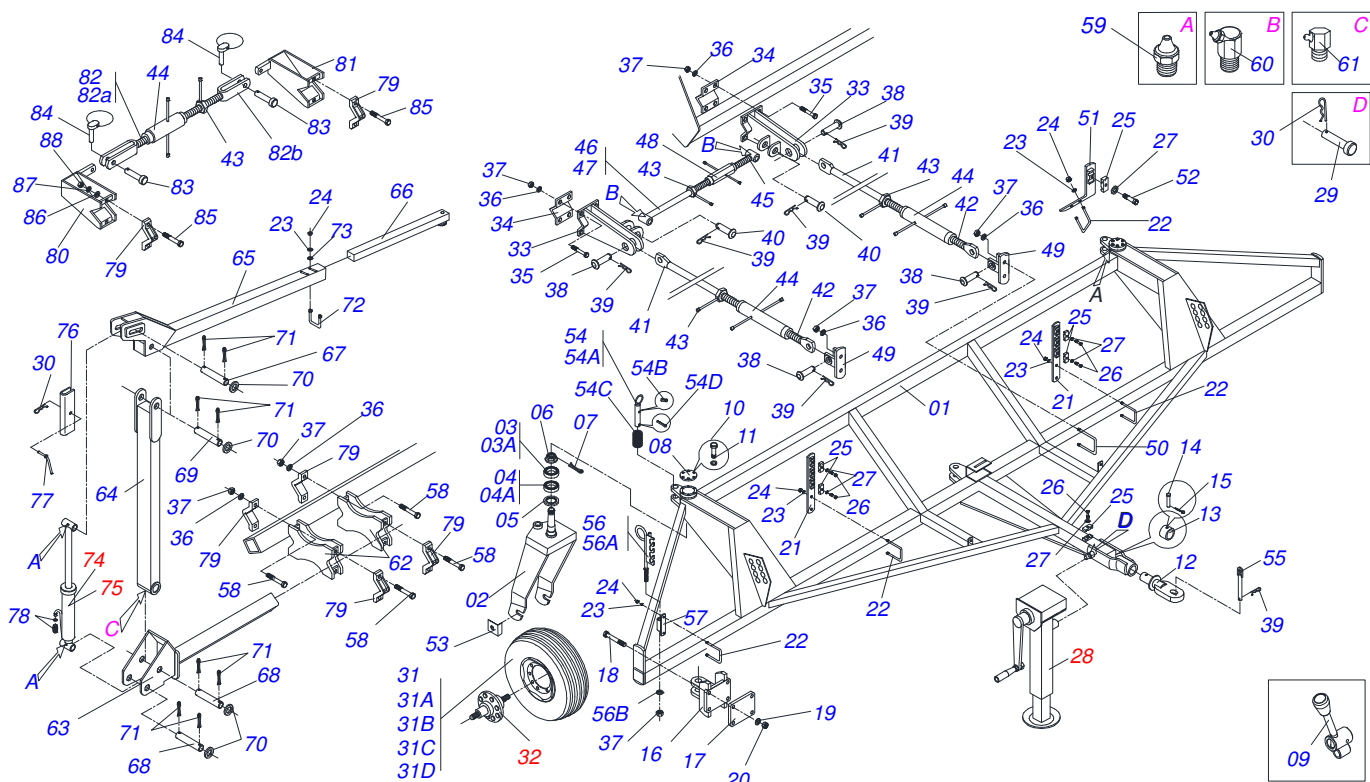
DOUBLE HEAD ULTRA / ULTRA FLEX / COP
DOUBLE DRAWBAR FRAME ULTRA FLEX 11

Page 15
0909093002

Item	Code	Description	QT
82A	0511060558	RIGHT TURNBUCKLE	01
82B	0511060559	LEFT TURNBUCKLE	01
83	0521010572	0.9" X 2.9" COUPLING SHAFT	02
84	0503030085	LOCK PIN	02
85	0501010163	5/8" X 4-1/2" BOLT	04
86	0501012140	FLAT WASHER	04
87	0503010027	SPRING WASHER	04
88	0503010013	5/8" NUT	04



Item	Code	Description	QT
01	0511066114	SEQ. VALV SUPPORT	01
02	0503010237	3/8" X 1" BOLT	02
03	0503010025	3/8 SPRING WASHER	02
04	0503010026	3/8" NUT	02
05	0501054061	SEQUENCE VALVE WITH NIPPLES	01
06	0501054694	FLOW DIVIDING VALVE ASSY	01
07	0503010373	1/4" X 2" BOLT	02
08	0501010694	FLAT WASHER	04
09	0503010143	SPRING WASHER	02
10	0503010144	1/4" NUT	02
11	0531017560	DISPLAYED IDENTIFICATION	16
12	0501080846	3/8" X 1550 TR-TM HOSE	04
13	0501080678	1/2" X 150" TC-TM HOSE ASSY	02
14	0501080072	1/2" X 63" TR-TM HOSE ASSY	02
15	0501080335	1/2" X 63" TC-TM HOSE ASSY	02
16	0501080004	1/2" X 137.79" TR-TM HOSE ASSY	02
17	0501053835	FEMALE QUICK COUPLER	08
18	0503010217	501040 CLAMPING RING (FOR AXLE)	16
19	0501053834	MALE QUICK COUPLING AGRICULTURAL WITH	04
20	0501080847	3/8" X 5700 TC-TM HOSE	04



Item	Code	Description	
01	0511064306	FRAME HEADER DOUBLE	01
02	0511064219	FORK WHEEL DRAWBAR DOUBLE	02
03	0503010641	3920 CAP	02
03A	0503010612	3982 CONE	02
04	0503010612	3982 CONE	02
04A	0503010623	33287 CONE	02
05	0503013106	SEAL 00085-B	02
06	0502040080	2.1/2" UM FLANGE NUT	02
07	0503011345	1/4" X 3-1/2" COTTERPIN	02
08	0511015318	HUB COVER	02
10	0503010240	5/16" X 3/4" BOLT	12
11	0503010179	SPRING WASHER	12
12	0501069632	TRACTOR HITCH	01
13	0521010681	BUSHING COUPLING BODY	01
14	0521010639	COUPLING SHAFT	01
15	0503010571	1/4" X 1.1/2 COTTERPIN	01
16	0511064220	COUPLING SUPPORT DOUBLE DRAWBAR	02
17	0531017551	COUPLING SUPPORT FIXING BASE	02
18	0501014172	1" X 8" BOLT	08
19	0503010012	1" SPRING WASHER	08
20	0501010059	1.5/8 NUT	08
21	0511064222	FIXER SUPPORT BOLT HOSE	04
22	0521014021	1/2" X 4.5" X 5.4" FASTENER	06
23	0503010019	1/2" SPRING WASHER	12
24	0503010060	1/2" NUT	12
25	0502010477	UPPER CLIP	10
26	0503010751	C3/8" X 1.1/4" HEX BOLT G.5	10
27	0503010025	3/8 SPRING WASHER	10
28	0511041259	DRAWBAR JACK ASSY	01
28A	0511064237	OUTER BODY DRAWBAR JACK	01
28B	0531017603	JACK SPINDLE	01
28C	0503013092	51305 BEARING	01
28D	0511064234	20Z DRIVER GEAR	01



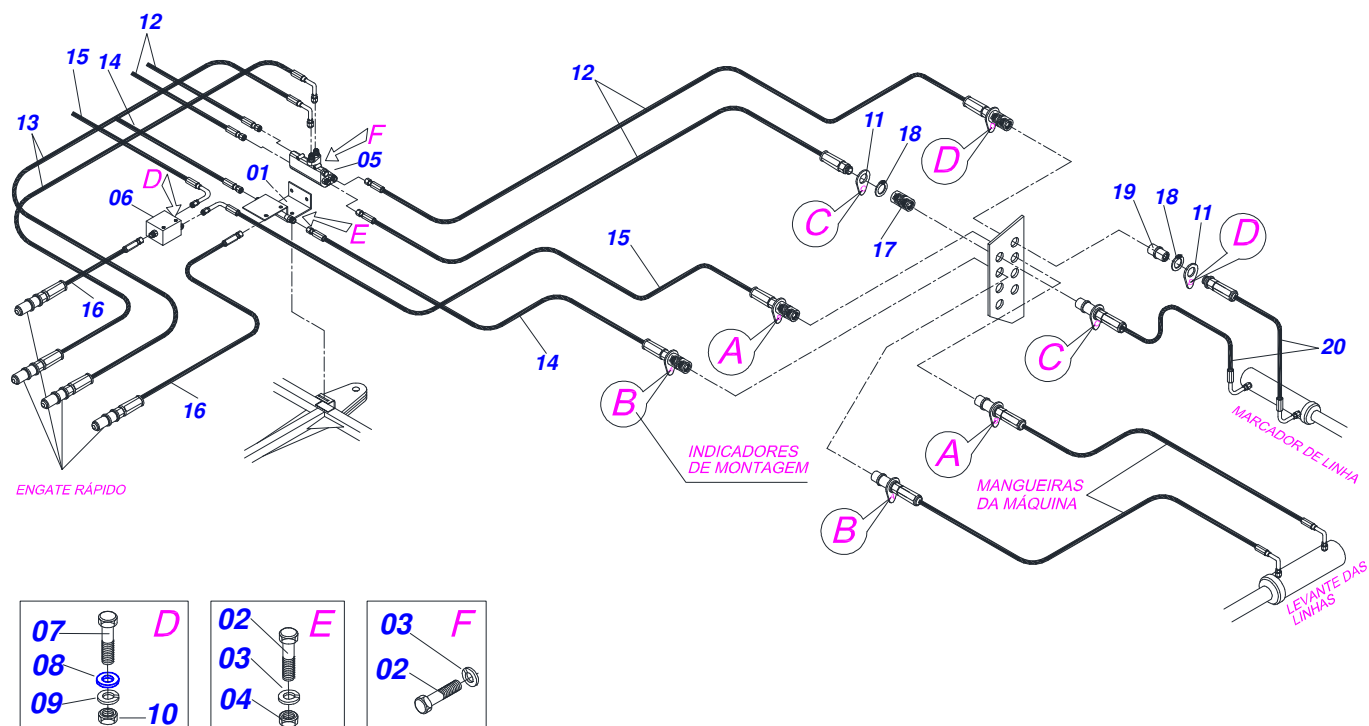
DOUBLE HEAD ULTRA / ULTRA FLEX / COP
DOUBLE DRAWBAR ULTRA FLEX 13 S-0804

Item	Code	Description	
28E	0503010561	SPRING PIN	01
28F	0503011410	ROLLER BEARING	01
28G	0503011105	SEAL RING	01
28H	0511064235	JACK CRANK	01
28I	0511064233	10Z DRIVER GEAR	01
28J	0511064236	JACK INNER BODY	01
28K	0531017602	PROTECTION COVER GEAR	01
28L	0503011312	ROTATIVE CABLE	01
29	0521010549	COUPLING SHAFT	01
30	0503030168	HAIR PIN	01
31	0501054863	WELL AND TIRE ASSY	02
31A	0503060414	WHEEL AND TIRE	02
31Aa	0503012108	RODA 10 LB X 15 X 8F X 203 GCRO	02
31Ac	0503010860	CAMARA AR 11L 15	02
31Ad	0503011469	RIB TIRE 12L	02
32	0501051799	STUB SHAFT & HUB ASSY	02
33	0501069807	FIXER SUPPORT ESTABILIZER	02
34	0521014754	FIXING BASE ESTABILIZER	02
35	0503010797	3/4" X 4" BOLT	08
36	0503010023	SPRING WASHER	28
37	0503010014	3/4" NUT	28
38	0521010593	1.1" X 3.9" COUPLING SHAFT	04
39	0503031035	HAIR PIN	06
40	0521010594	1.1" X 4.1" COUPLING SHAFT	02
41	0511064217	TURNBUCKLE WITH EAR	02
42	0501068300	TURNBUCKLE WITH EAR	02
43	0501061056	RH LOCKNUT WITH HANDLER	03
44	0501069529	653 TURNBUCKLE	02
45	0511060916	TURNBUCKLE WITH GLOVE	01
46	0511061029	TURNBUCKLE WITH GLOVE	01
47	0511060919	TURNBUCKLE WITH GLOVE	01
48	0501110262	245 ADJUSTMENT NUT	01
49	0501066284	SUPPORT FRONT TURNBUCKLE FIXER	02
50	0521012329	3/4 UNC X 130 X 173 FASTENER	02
51	0511064228	HOSE HOLDER	04
52	0503011268	3/8" X 2-1/2" BOLT	04
53	0531015109	WHEEL AXLE LOCK	04
54	0501054862	LOCK PIN	02
54A	0511064229	LOCK PIN	01
54B	0503010292	0.2" X 1.6" SPRING PIN	01
54C	0503030978	COMPRES SPRING	01
54D	0503010131	3/16" X 1-1/2" COTTERPIN	01
55	0501068989	COUPLING SHAFT	01
56	0501040364	3/4" X 22.4" HOSE HOLDER ASSY	02
56A	0501060409	HOSE SOPPORT ASSY	02
56B	0503011442	3/4" SPRING WASHER	02
57	0511064310	FIXER PLATE FASTENER	04
58	0511064226	SUPPORT STABILIZER REAR RIGHT DRAWBAR	01
59	0511064227	SUPPORT STABILIZER REAR LEFT DRAWBAR	01
60	0501054258	DRAWBAR ESTABILIZER ASSY	01
60A	0511060558	RIGHT TURNBUCKLE	01
60B	0511060559	LEFT TURNBUCKLE	01
61	0521010572	0.9" X 2.9" COUPLING SHAFT	02
62	0503030085	LOCK PIN	02
63	0502010175	HITCH CLAMP	10
64	0501010163	5/8" X 4-1/2" BOLT	04
65	0501012140	FLAT WASHER	04
66	0503010027	SPRING WASHER	04
67	0503010013	5/8" NUT	04
68	0501010216	3/4" X 4-1/2" BOLT	16
69	0503010002	1800 GREASE FITTING	08
70	0503010004	1890 GREASE FITTING	02

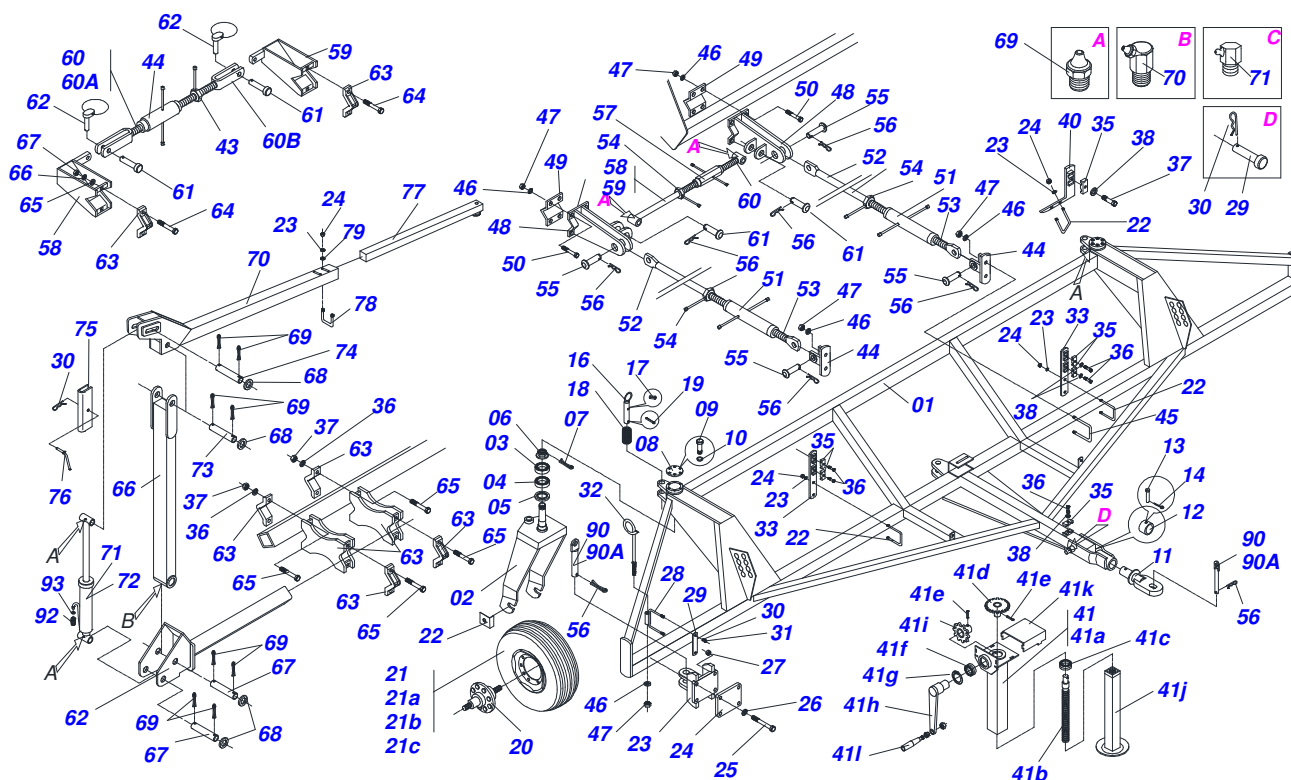


DOUBLE HEAD ULTRA / ULTRA FLEX / COP
DOUBLE DRAWBAR ULTRA FLEX 13 S-0804

Item	Code	Description	
71	0503010003	1845 GREASE FITTING	02
72	0511061021	SUPPORT FASTENER	04
73	0511061022	ROW MARKER SUPPORT	02
74	0511060013	ROW MARKER ARM	02
75	0511060014	ROW MARKER ARM	02
76	0511066265	2400 TURNBUCKLE	02
77	0521013347	1.1/4" X 8.4" AXLE	02
78	0521011142	1.1/4" X 7.5" AXLE	04
79	0521011141	1.1/4" X 6.5" AXLE	02
80	0501019435	FLAT WASHER	08
81	0503010523	1/4" X 2" COTTERPIN	20
82	0521012324	1/2" X 3.2"X 2.54" FASTENER	04
83	0511017302	FLAT WASHER	08
84	0501045149	1.5"X2.5"X30"X18"RH HYDRAULICCYLINDER	01
85	0501046485	1.5"X 2.5"X 30"X 18"LEFT HYDRAULIC CYLINDER	01
86	0511015573	2.07" X 1.6" TRANSPORT LOCK	02
87	0501068994	0.3" X 3.1"LOCK PIN	02
88	0501043271	3/4" NIPPLE WITH O'RING (5/16)	04
89	0511062325	CHAIN TIGHTENER LEVER	01



Item	Code	Description	
01	0511066114	SEQ. VALV SUPPORT	01
02	0503010237	3/8" X 1" BOLT	04
03	0503010025	3/8 SPRING WASHER	04
04	0503010026	3/8" NUT	02
05	0501054061	SEQUENCE VALVE WITH NIPPLES	01
06	0501054694	FLOW DIVIDING VALVE ASSY	01
07	0503010421	5/16" X 1-1/2" BOLT	03
08	0501010694	FLAT WASHER	03
09	0503010179	SPRING WASHER	03
10	0503010337	5/16" NUT	03
11	0503013055	"T" ADAPTOR WITH GIRAT NUT	02
12	0501080848	3/8" X 2000 TR-TM HOSE	04
13	0501080678	1/2" X 150" TC-TM HOSE ASSY	02
14	0501080849	1/2" X 2100 TR-TM HOSE	02
15	0501080631	1/2" X 2100 TC-TM HOSE	02
16	0501080004	1/2" X 137.79" TR-TM HOSE ASSY	02
17	0501053835	FEMALE QUICK COUPLER	08
18	0503010217	501040 CLAMPING RING (FOR AXLE)	16
19	0501053834	MALE QUICK COUPLING AGRICULTURAL WITH	04
20	0501080850	3/8" X 6100 TC-TM HOSE	04



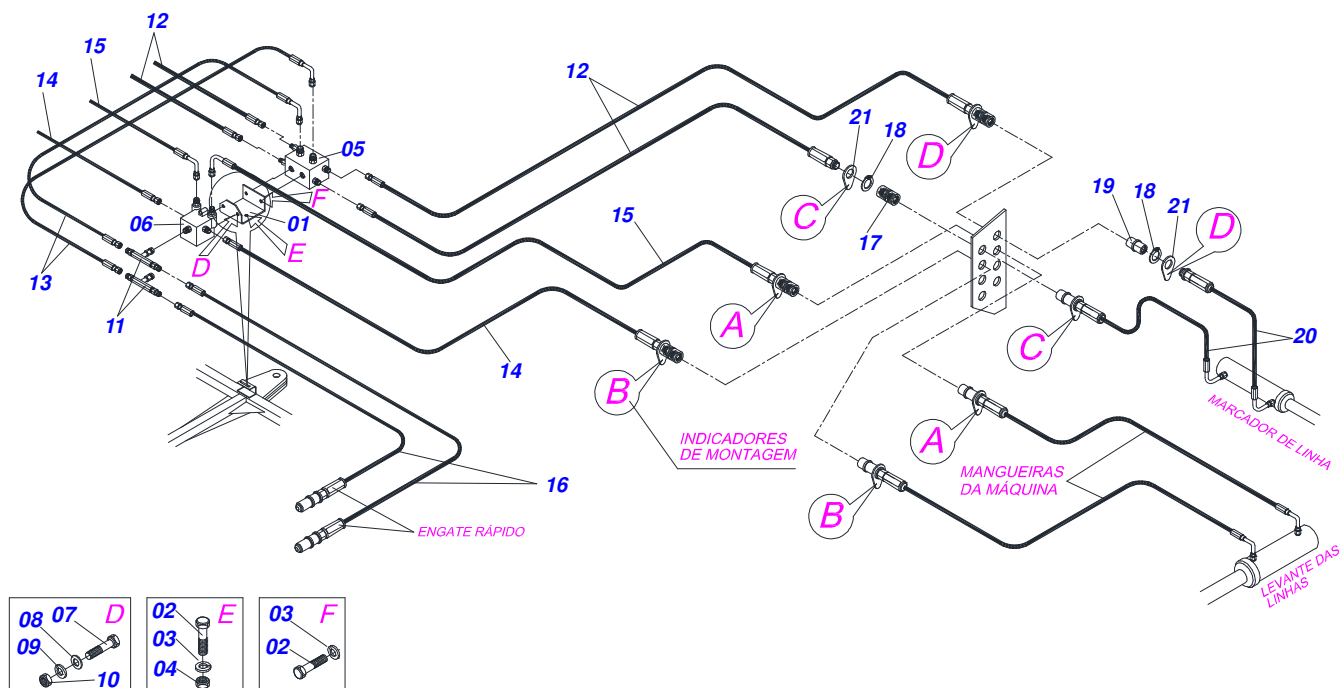
Item	Code	Description	QT
01	0511064218	FRAME HEADER DOUBLE	01
02	0511064219	FORK WHEEL DRAWBAR DOUBLE	02
03	0503010641	3920 CAP	02
03A	0503010612	3982 CONE	02
04	0503010624	33462 CAP	02
04A	0503010623	33287 CONE	02
05	0503013106	SEAL 00085-B	02
06	0502040080	2.1/2" UM FLANGE NUT	02
07	0503011345	1/4" X 3-1/2" COTTERPIN	02
08	0511015318	HUB COVER	02
09	0511062325	CHAIN TIGHTENER LEVER	02
10	0503010240	5/16" X 3/4" BOLT	12
11	0503010179	SPRING WASHER	12
12	0501069632	TRACTOR HITCH	01
13	0521010681	BUSHING COUPLING BODY	01
14	0521010639	COUPLING SHAFT	01
15	0503010571	1/4" X 1.1/2 COTTERPIN	01
16	0511064220	COUPLING SUPPORT DOUBLE DRAWBAR	02
17	0531017551	COUPLING SUPPORT FIXING BASE	02
18	0501014172	1" X 8" BOLT	08
19	0503010012	1" SPRING WASHER	08
20	0501010059	1.5/8 NUT	08
21	0511064222	FIXER SUPPORT BOLT HOSE	04
22	0521014021	1/2" X 4.5" X 5.4" FASTENER	04
23	0503010019	1/2" SPRING WASHER	12
24	0503010060	1/2" NUT	12
25	0502010477	UPPER CLIP	10
26	0503010751	C3/8" X 1.1/4" HEX BOLT G.5	10
27	0503010025	3/8 SPRING WASHER	10
28	0511041259	DRAWBAR JACK ASSY	01
29	0521010549	COUPLING SHAFT	01
30	0503030168	HAIR PIN	01
31	0501054863	WELL AND TIRE ASSY	02



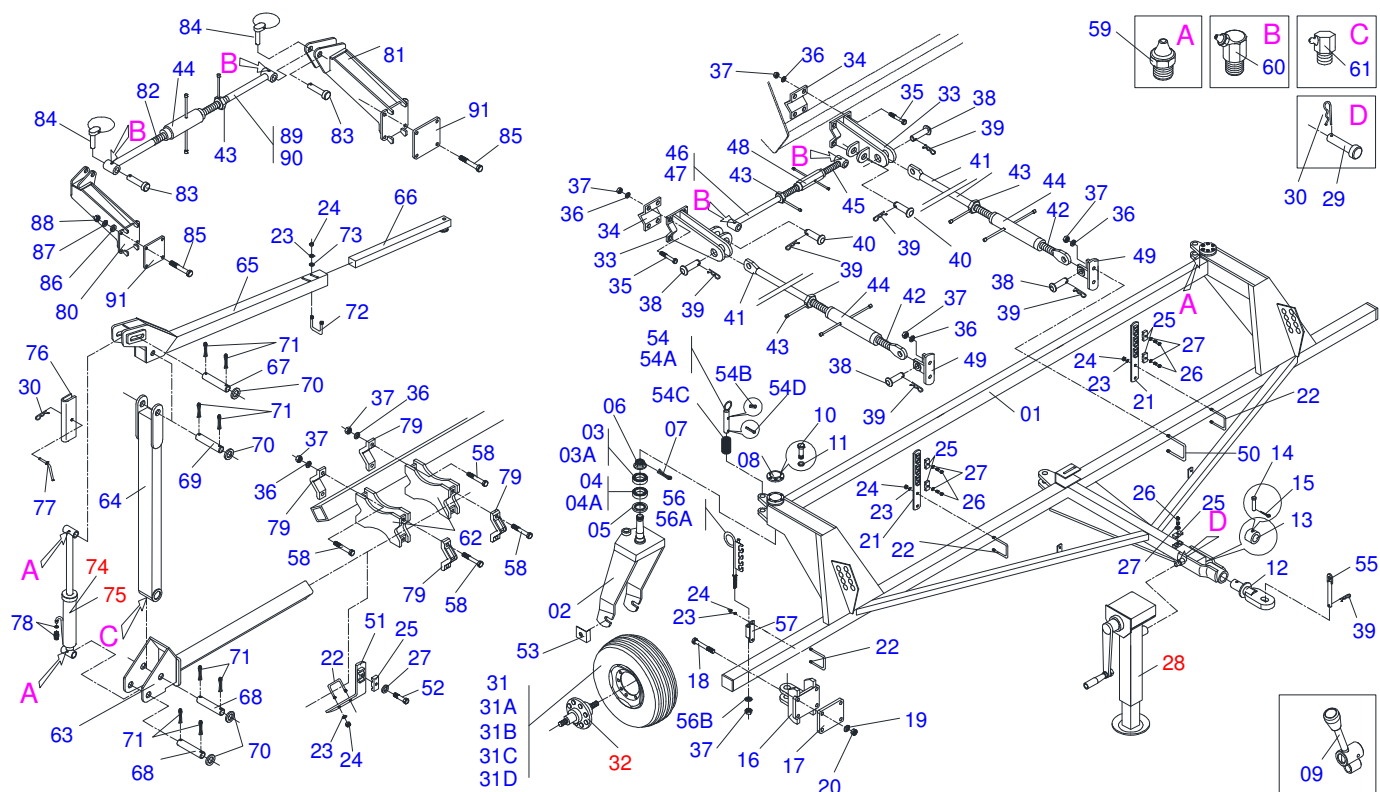
Item	Code	Description	QT
31A	0503060414	WHEEL AND TIRE	02
31B	0503012108	RODA 10 LB X 15 X 8F X 203 GCRO	02
31C	0503010860	CAMARA AR 11L 15	02
31D	0503011469	RIB TIRE 12L	02
32	0501051799	STUB SHAFT & HUB ASSY	02
33	0501069807	FIXER SUPPORT ESTABILIZER	02
34	0521014754	FIXING BASE ESTABILIZER	02
35	0503010797	3/4" X 4" BOLT	08
36	0503010023	SPRING WASHER	28
37	0503010014	3/4" NUT	28
38	0521010593	1.1" X 3.9" COUPLING SHAFT	04
39	0503031035	HAIR PIN	06
40	0521010594	1.1" X 4.1" COUPLING SHAFT	02
41	0511064217	TURNBUCKLE WITH EAR	02
42	0501068300	TURNBUCKLE WITH EAR	02
43	0501061056	RH LOCKNUT WITH HANDLER	03
44	0501069529	653 TURNBUCKLE	02
45	0511060916	TURNBUCKLE WITH GLOVE	01
46	0511061029	TURNBUCKLE WITH GLOVE	01
47	0511060919	TURNBUCKLE WITH GLOVE	01
48	0501110262	245 ADJUSTMENT NUT	01
49	0501066284	SUPPORT FRONT TURNBUCKLE FIXER	02
50	0521012329	3/4 UNC X 130 X 173 FASTENER	02
51	0511064228	HOSE HOLDER	04
52	0503011268	3/8" X 2-1/2" BOLT	02
53	0531015109	WHEEL AXLE LOCK	04
54	0501054862	LOCK PIN	02
54A	0511064229	LOCK PIN	01
54B	0503010292	0.2" X 1.6" SPRING PIN	01
54C	0503030978	COMPRES SPRING	01
54D	0503010131	3/16" X 1-1/2" COTTERPIN	01
55	0501068989	COUPLING SHAFT	01
56	0501040364	3/4" X 22.4" HOSE HOLDER ASSY	02
56A	0501060409	HOSE SOPPORT ASSY	02
56B	0503011442	3/4" SPRING WASHER	02
57	0511064310	FIXER PLATE FASTENER	04
58	0501010216	3/4" X 4-1/2" BOLT	16
59	0503010002	1800 GREASE FITTING	08
60	0503010004	1890 GREASE FITTING	02
61	0503010003	1845 GREASE FITTING	02
62	0511061021	SUPPORT FASTENER	04
63	0511061022	ROW MARKER SUPPORT	02
64	0511060013	ROW MARKER ARM	02
65	0511060014	ROW MARKER ARM	02
66	0511066265	2400 TURNBUCKLE	02
67	0521013347	1.1/4" X 8.4" AXLE	02
68	0521011142	1.1/4" X 7.5" AXLE	04
69	0521011141	1.1/4" X 6.5" AXLE	02
70	0501019435	FLAT WASHER	08
71	0503010523	1/4" X 2" COTTERPIN	20
72	0521012324	1/2" X 3.2" X 2.54" FASTENER	04
73	0511017302	FLAT WASHER	08
74	0501045149	1.5" X 2.5" X 30" X 18" RH HYDRAULIC CYLINDER	01
75	0501046485	1.5" X 2.5" X 30" X 18" LEFT HYDRAULIC CYLINDER	01
76	0511015573	2.07" X 1.6" TRANSPORT LOCK	02
77	0501068994	0.3" X 3.1" LOCK PIN	02
78	0501043271	3/4" NIPPLE WITH O'RING (5/16)	04
79	0502010175	HITCH CLAMP	10
80	0511064226	SUPPORT STABILIZER REAR RIGHT DRAWBAR	01
81	0511064227	SUPPORT STABILIZER REAR LEFT DRAWBAR	01
82	0501054258	DRAWBAR ESTABILIZER ASSY	01
82A	0511060558	RIGHT TURNBUCKLE	01



Item	Code	Description	QT
82B	0511060559	LEFT TURNBUCKLE	01
83	0521010572	0.9" X 2.9" COUPLING SHAFT	02
84	0503030085	LOCK PIN	02
85	0501010163	5/8" X 4-1/2" BOLT	04
86	0501012140	FLAT WASHER	04
87	0503010027	SPRING WASHER	04
88	0503010013	5/8" NUT	04



Item	Code	Description	QT
01	0511066114	SEQ. VALV SUPPORT	01
02	0503010237	3/8" X 1" BOLT	04
03	0503010025	3/8 SPRING WASHER	04
04	0503010026	3/8" NUT	02
05	0501054061	SEQUENCE VALVE WITH NIPPLES	01
06	0501054694	FLOW DIVIDING VALVE ASSY	01
07	0503010373	1/4" X 2" BOLT	02
08	0501010694	FLAT WASHER	04
09	0503010143	SPRING WASHER	02
10	0503010144	1/4" NUT	02
11	0531017560	DISPLAYED IDENTIFICATION	16
12	0501080251	3/8" X 96" TR-TM HOSE	04
13	0501080678	1/2" X 150" TC-TM HOSE ASSY	02
14	0501080259	1/2" X 100" TR-TM HOSE ASSY	02
15	0501080097	1/2" X 98" TC-TM HOSE ASSY	02
16	0501080004	1/2" X 137.79" TR-TM HOSE ASSY	02
17	0501053835	FEMALE QUICK COUPLER	08
18	0503010217	501040 CLAMPING RING (FOR AXLE)	16
19	0501053834	MALE QUICK COUPLING AGRICULTURAL WITH	02
20	0501080778	3/8" X 256" TC-TM HOSE ASSY	04



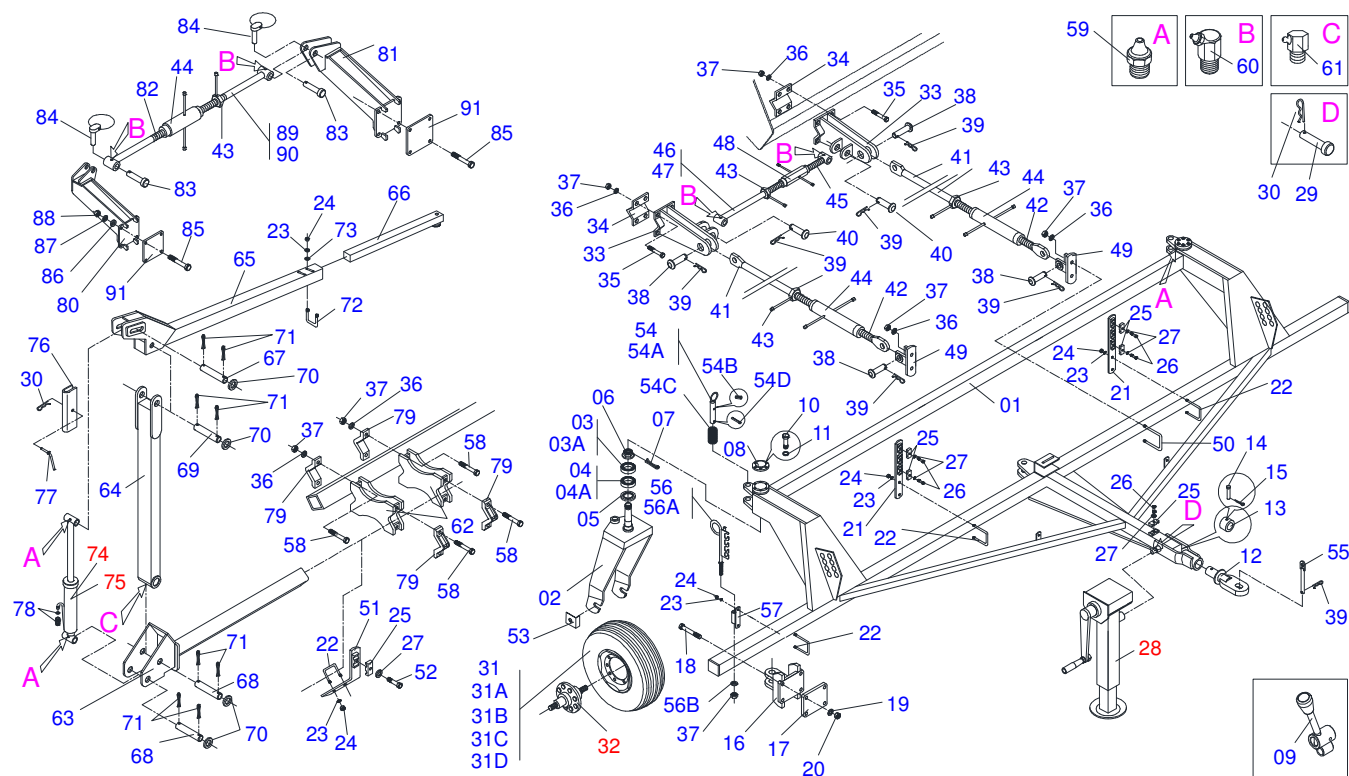
Item	Code	Description	
01	0511064304	FRAME HEADER DOUBLE	01
02	0511064219	FORK WHEEL DRAWBAR DOUBLE	02
03	0503010641	3920 CAP	02
03A	0503010612	3982 CONE	02
04	0503010624	33462 CAP	02
04A	0503010623	33287 CONE	02
05	0503013106	SEAL 00085-B	02
06	0502040080	2.1/2" UM FLANGE NUT	02
07	0503011345	1/4" X 3-1/2" COTTERPIN	02
08	0511015318	HUB COVER	02
09	0511062325	CHAIN TIGHTENER LEVER	01
10	0503010240	5/16" X 3/4" BOLT	12
11	0503010179	SPRING WASHER	12
12	0501069632	TRACTOR HITCH	01
13	0521010681	BUSHING COUPLING BODY	01
14	0521010639	COUPLING SHAFT	01
15	0503010571	1/4" X 1.1/2" COTTERPIN	01
16	0511064220	COUPLING SUPPORT DOUBLE DRAWBAR	02
17	0531017551	COUPLING SUPPORT FIXING BASE	02
18	0501014172	1" X 8" BOLT	08
19	0503010012	1" SPRING WASHER	08
20	0501010059	1.5/8" NUT	08
21	0511064222	FIXER SUPPORT BOLT HOSE	04
22	0521014021	1/2" X 4.5" X 5.4" FASTENER	04
23	0503010019	1/2" SPRING WASHER	08
24	0503010060	1/2" NUT	08
25	0502010477	UPPER CLIP	10
26	0503010751	C3/8" X 1.1/4" HEX BOLT G.5	10
27	0503010025	3/8" SPRING WASHER	10
28	0511041259	DRAWBAR JACK ASSY	01
28A	0511064237	OUTER BODY DRAWBAR JACK	01
28B	0531017603	JACK SPINDLE	01
28C	0503013092	51305 BEARING	01



Item	Code	Description	
28D	0511064234	20Z DRIVER GEAR	01
28E	0503010561	SPRING PIN	01
28F	0503011410	ROLLER BEARING	01
28G	0503011105	SEAL RING	01
28H	0511064235	JACK CRANK	01
28I	0511064233	10Z DRIVER GEAR	01
28J	0511064236	JACK INNER BODY	01
28K	0531017602	PROTECTION COVER GEAR	01
28L	0503011312	ROTATIVE CABLE	01
29	0521010549	COUPLING SHAFT	01
30	0503030168	HAIR PIN	01
31	0501054863	WELL AND TIRE ASSY	02
31A	0503060414	WHEEL AND TIRE	02
31B	0503012108	RODA 10 LB X 15 X 8F X 203 GCRO	02
31C	0503010860	CAMARA AR 11L 15	02
31D	0503011469	RIB TIRE 12L	02
32	0501051799	STUB SHAFT & HUB ASSY	02
33	0511066125	FIXER SUPPORT ESTABILIZER	02
34	0521014754	FIXING BASE ESTABILIZER	02
35	0503010797	3/4" X 4" BOLT	08
36	0503010023	SPRING WASHER	28
37	0503010014	3/4" NUT	28
38	0521010593	1.1" X 3.9" COUPLING SHAFT	04
39	0503031035	HAIR PIN	06
40	0521010594	1.1" X 4.1" COUPLING SHAFT	02
41	0511063070	TURNBUCKLE WITH EAR	02
42	0511063049	TURNBUCKLE WITH EAR	02
43	0501061056	RH LOCKNUT WITH HANDLER	04
44	0501069529	653 TURNBUCKLE	02
45	0511060916	TURNBUCKLE WITH GLOVE	01
46	0511063071	TURNBUCKLE WITH GLOVE	01
47	0511063072	TURNBUCKLE WITH GLOVE	01
48	0501110262	245 ADJUSTMENT NUT	01
49	0501066284	SUPPORT FRONT TURNBUCKLE FIXER	02
50	0521012329	3/4 UNC X 130 X 173 FASTENER	02
51	0511064228	HOSE HOLDER	04
52	0503011268	3/8" X 2-1/2" BOLT	04
53	0531015109	WHEEL AXLE LOCK	04
54	0501054862	LOCK PIN	02
54A	0511064229	LOCK PIN	01
54B	0503010292	0.2" X 1.6" SPRING PIN	01
54C	0503030978	COMPRES SPRING	01
54D	0503010131	3/16" X 1-1/2" COTTERPIN	01
55	0501047881	COUPLING SHAFT	01
56	0501040364	3/4" X 22.4" HOSE HOLDER ASSY	02
56A	0501060409	HOSE SOPPORT ASSY	02
56B	0503011442	3/4" SPRING WASHER	02
57	0511064310	FIXER PLATE FASTENER	04
58	0501010216	3/4" X 4-1/2" BOLT	16
59	0503010002	1800 GREASE FITTING	08
60	0503010004	1890 GREASE FITTING	02
61	0503010003	1845 GREASE FITTING	02
62	0511061021	SUPPORT FASTENER	04
63	0511061022	ROW MARKER SUPPORT	02
64	0511060013	ROW MARKER ARM	02
65	0511060014	ROW MARKER ARM	02
66	0511060010	1400 TURNBUCKLE	02
67	0521013347	1.1/4" X 8.4" AXLE	02
68	0521011142	1.1/4" X 7.5" AXLE	04
69	0521011141	1.1/4" X 6.5" AXLE	02
70	0501019435	FLAT WASHER	08
71	0503010523	1/4" X 2" COTTERPIN	20



Item	Code	Description	
72	0521012324	1/2" X 3.2"X 2.54" FASTENER	04
73	0511017302	FLAT WASHER	08
74	0501045149	1.5"X2.5"X30"X18"RH HYDRAULICCYLINDER	01
75	0501046485	1.5"X 2.5"X 30"X 18"LEFT HYDRAULIC CYLINDER	01
76	0511015573	2.07" X 1.6" TRANSPORT LOCK	02
77	0501068994	0.3" X 3.1"LOCK PIN	02
78	0501043271	3/4" NIPPLE WITH O'RING (5/16)	04
79	0541014569	FIXER PLATE	10
80	0511066071	RIGHT TURNBUCKLE SUPPOT	01
81	0511066072	LEFT TURNBUCKLE SUPPORT	01
82	0511063091	1.1/2" X 995 TURNBUCKLE	01
82B	0511060559	LEFT TURNBUCKLE	01
83	0521010572	0.9" X 2.9" COUPLING SHAFT	02
84	0503030085	LOCK PIN	02
85	0501010163	5/8" X 4-1/2" BOLT	04
86	0501012140	FLAT WASHER	04
87	0503010027	SPRING WASHER	04
88	0503010013	5/8" NUT	04
89	0511063092	TURNBUCKLE 1.1/2" X 630 IZQ	01
90	0511063093	TURNBUCKLE 1.1/2" X 930 IZQ	01



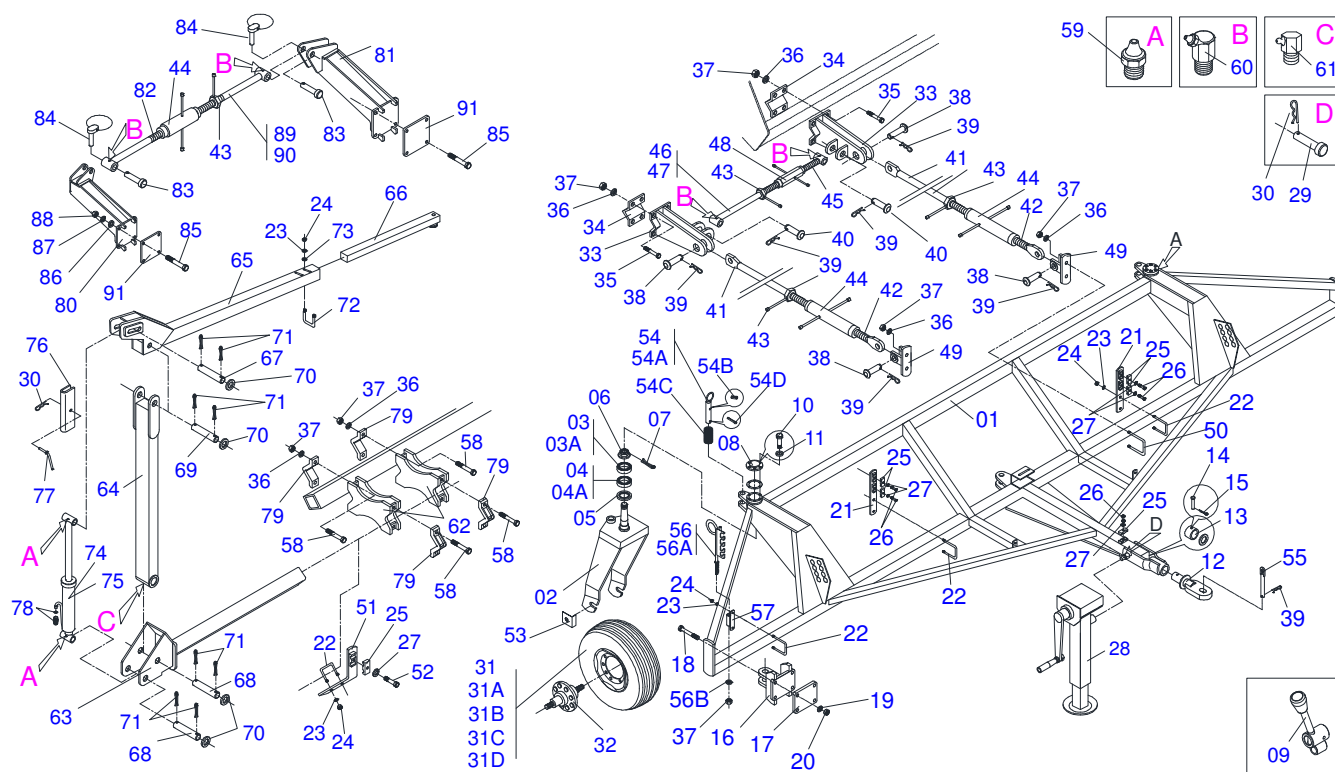
Item	Code	Description	
01	0511064305	FRAME HEADER DOUBLE ULTR/FLEX/COP 11	01
02	0511064219	FORK WHEEL DRAWBAR DOUBLE	02
03	0503010641	3920 CAP	02
03A	0503010612	3982 CONE	02
04	0503010624	33462 CAP	02
04A	0503010623	33287 CONE	02
05	0503013106	SEAL 00085-B	02
06	0502040080	2.1/2" UM FLANGE NUT	02
07	0503011345	1/4" X 3-1/2" COTTERPIN	02
08	0511015318	HUB COVER	02
09	0511062325	CHAIN TIGHTENER LEVER	01
10	0503010240	5/16" X 3/4" BOLT	12
11	0503010179	SPRING WASHER	12
12	0501069632	TRACTOR HITCH	01
13	0521010681	BUSHING COUPLING BODY	01
14	0521010639	COUPLING SHAFT	01
15	0503010571	1/4" X 1.1/2 COTTERPIN	01
16	0511064220	COUPLING SUPPORT DOUBLE DRAWBAR	02
17	0531017551	COUPLING SUPPORT FIXING BASE	02
18	0501014172	1" X 8" BOLT	08
19	0503010012	1" SPRING WASHER	08
20	0501010059	1.5/8 NUT	08
21	0511064222	FIXER SUPPORT BOLT HOSE	04
22	0521014021	1/2" X 4.5" X 5.4" FASTENER	04
23	0503010019	1/2" SPRING WASHER	16
24	0503010060	1/2" NUT	16
25	0502010477	UPPER CLIP	10
26	0503010751	C3/8" X 1.1/4" HEX BOLT G.5	10
27	0503010025	3/8 SPRING WASHER	10
28	0511041259	DRAWBAR JACK ASSY	01
28A	0511064237	OUTER BODY DRAWBAR JACK	01
28B	0531017603	JACK SPINDLE	01
28C	0503013092	51305 BEARING	01



Item	Code	Description	
28D	0511064234	20Z DRIVER GEAR	01
28E	0503010561	SPRING PIN	01
28F	0503011410	ROLLER BEARING	01
28G	0503011105	SEAL RING	01
28H	0511064235	JACK CRANK	01
28I	0511064233	10Z DRIVER GEAR	01
28J	0511064236	JACK INNER BODY	01
28K	0531017602	PROTECTION COVER GEAR	01
28L	0503011312	ROTATIVE CABLE	01
29	0521010549	COUPLING SHAFT	01
30	0503030168	HAIR PIN	01
31	0501054863	WELL AND TIRE ASSY	02
31A	0503060414	WHEEL AND TIRE	02
31B	0503012108	RODA 10 LB X 15 X 8F X 203 GCRO	02
31C	0503010860	CAMARA AR 11L 15	02
31D	0503011469	RIB TIRE 12L	02
32	0501051799	STUB SHAFT & HUB ASSY	02
33	0511066125	FIXER SUPPORT ESTABILIZER	02
34	0521014754	FIXING BASE ESTABILIZER	02
35	0503010797	3/4" X 4" BOLT	08
36	0503010023	SPRING WASHER	28
37	0503010014	3/4" NUT	28
38	0521010593	1.1" X 3.9" COUPLING SHAFT	04
39	0503031035	HAIR PIN	06
40	0521010594	1.1" X 4.1" COUPLING SHAFT	02
41	0511063070	TURNBUCKLE WITH EAR	02
42	0511063049	TURNBUCKLE WITH EAR	02
43	0501061056	RH LOCKNUT WITH HANDLER	04
44	0501069529	653 TURNBUCKLE	02
45	0511060916	TURNBUCKLE WITH GLOVE	01
46	0511063071	TURNBUCKLE WITH GLOVE	01
47	0511063072	TURNBUCKLE WITH GLOVE	01
48	0501110262	245 ADJUSTMENT NUT	01
49	0501066284	SUPPORT FRONT TURNBUCKLE FIXER	02
50	0521012329	3/4 UNC X 130 X 173 FASTENER	02
51	0511064228	HOSE HOLDER	04
52	0503011268	3/8" X 2-1/2" BOLT	04
53	0531015109	WHEEL AXLE LOCK	04
54	0501054862	LOCK PIN	02
54A	0511064229	LOCK PIN	01
54B	0503010292	0.2" X 1.6" SPRING PIN	01
54C	0503030978	COMPRES SPRING	01
54D	0503010131	3/16" X 1-1/2" COTTERPIN	01
55	0501047881	COUPLING SHAFT	01
56	0501040364	3/4" X 22.4" HOSE HOLDER ASSY	02
56A	0501060409	HOSE SOPPORT ASSY	02
56B	0503011442	3/4" SPRING WASHER	02
57	0511064310	FIXER PLATE FASTENER	02
58	0501010216	3/4" X 4-1/2" BOLT	16
59	0503010002	1800 GREASE FITTING	06
60	0503010004	1890 GREASE FITTING	02
61	0503010003	1845 GREASE FITTING	02
62	0511061021	SUPPORT FASTENER	04
63	0511061022	ROW MARKER SUPPORT	02
64	0511060013	ROW MARKER ARM	02
65	0511060014	ROW MARKER ARM	02
66	0511060010	1400 TURNBUCKLE	02
67	0521013347	1.1/4" X 8.4" AXLE	02
68	0521011142	1.1/4" X 7.5" AXLE	04
69	0521011141	1.1/4" X 6.5" AXLE	02
70	0501019435	FLAT WASHER	08
71	0503010523	1/4" X 2" COTTERPIN	20



Item	Code	Description	
72	0521012324	1/2" X 3.2"X 2.54" FASTENER	04
73	0511017302	FLAT WASHER	08
74	0501045149	1.5"X2.5"X30"X18"RH HYDRAULICCYLINDER	01
75	0501046485	1.5"X 2.5"X 30"X 18"LEFT HYDRAULIC CYLINDER	01
76	0511015573	2.07" X 1.6" TRANSPORT LOCK	02
77	0501068994	0.3" X 3.1"LOCK PIN	02
78	0501043271	3/4" NIPPLE WITH O'RING (5/16)	04
79	0502010175	HITCH CLAMP	10
80	0511066071	RIGHT TURNBUCKLE SUPPOT	01
81	0511066072	LEFT TURNBUCKLE SUPPORT	01
82	0511063091	1.1/2" X 995 TURNBUCKLE	01
83	0521010572	0.9" X 2.9" COUPLING SHAFT	02
84	0503030085	LOCK PIN	02
85	0501010163	5/8" X 4-1/2" BOLT	04
86	0501012140	FLAT WASHER	04
87	0503010027	SPRING WASHER	04
88	0503010013	5/8" NUT	04
89	0511063092	TURNBUCKLE 1.1/2" X 630 IZQ	01
90	0511063093	TURNBUCKLE 1.1/2" X 930 IZQ	01
91	0541014569	FIXER PLATE	02



Item	Code	Description	
001	0511064306	FRAME HEADER DOUBLE	01
002	0511064219	FORK WHEEL DRAWBAR DOUBLE	02
003	0503010641	3920 CAP	02
003A	0503010612	3982 CONE	02
004	0503010624	33462 CAP	02
004A	0503010623	33287 CONE	02
005	0503013106	SEAL 00085-B	02
006	0502040080	2.1/2" UM FLANGE NUT	02
007	0503011345	1/4" X 3-1/2" COTTERPIN	02
008	0511015318	HUB COVER	02
009	0511062325	CHAIN TIGHTENER LEVER	01
010	0503010240	5/16" X 3/4" BOLT	12
011	0503010179	SPRING WASHER	12
012	0501069632	TRACTOR HITCH	01
013	0521010681	BUSHING COUPLING BODY	01
014	0521010639	COUPLING SHAFT	01
015	0503010571	1/4" X 1.1/2 COTTERPIN	01
016	0511064220	COUPLING SUPPORT DOUBLE DRAWBAR	02
017	0531017551	COUPLING SUPPORT FIXING BASE	02
018	0501014172	1" X 8" BOLT	08
019	0503010012	1" SPRING WASHER	08
020	0501010059	1.5/8 NUT	08
021	0511064222	FIXER SUPPORT BOLT HOSE	04
022	0521014021	1/2" X 4.5" X 5.4" FASTENER	04
023	0503010019	1/2" SPRING WASHER	16
024	0503010060	1/2" NUT	16
025	0502010477	UPPER CLIP	10
026	0503010751	C3/8" X 1.1/4" HEX BOLT G.5	10
027	0503010025	3/8 SPRING WASHER	10
028	0511041259	DRAWBAR JACK ASSY	01
028A	0511064237	OUTER BODY DRAWBAR JACK	01
028B	0531017603	JACK SPINDLE	01
028C	0503013092	51305 BEARING	01



Item	Code	Description	
028D	0511064234	20Z DRIVER GEAR	01
028E	0503010561	SPRING PIN	01
028F	0503011410	ROLLER BEARING	01
028G	0503011105	SEAL RING	01
028H	0511064235	JACK CRANK	01
028I	0511064233	10Z DRIVER GEAR	01
028J	0511064236	JACK INNER BODY	01
028K	0531017602	PROTECTION COVER GEAR	01
028L	0503011312	ROTATIVE CABLE	01
029	0521010549	COUPLING SHAFT	01
030	0503030168	HAIR PIN	01
031	0501054863	WELL AND TIRE ASSY	02
031A	0503060414	WHEEL AND TIRE	02
031B	0503012108	RODA 10 LB X 15 X 8F X 203 GCRO	02
031C	0503010860	CAMARA AR 11L 15	02
031D	0503011469	RIB TIRE 12L	02
032	0501051799	STUB SHAFT & HUB ASSY	02
033	0511066125	FIXER SUPPORT ESTABILIZER	02
034	0521014754	FIXING BASE ESTABILIZER	02
035	0503010797	3/4" X 4" BOLT	08
036	0503010023	SPRING WASHER	28
037	0503010014	3/4" NUT	28
038	0521010593	1.1" X 3.9" COUPLING SHAFT	04
039	0503031035	HAIR PIN	06
040	0521010594	1.1" X 4.1" COUPLING SHAFT	02
041	0511063070	TURNBUCKLE WITH EAR	02
042	0511063049	TURNBUCKLE WITH EAR	02
043	0501061056	RH LOCKNUT WITH HANDLER	04
044	0501069529	653 TURNBUCKLE	02
045	0511060916	TURNBUCKLE WITH GLOVE	01
046	0511063071	TURNBUCKLE WITH GLOVE	01
047	0511063072	TURNBUCKLE WITH GLOVE	01
048	0501110262	245 ADJUSTMENT NUT	01
049	0501066284	SUPPORT FRONT TURNBUCKLE FIXER	02
050	0521012329	3/4 UNC X 130 X 173 FASTENER	02
051	0511064228	HOSE HOLDER	04
052	0503011268	3/8" X 2-1/2" BOLT	04
053	0531015109	WHEEL AXLE LOCK	04
054	0501054862	LOCK PIN	02
054A	0511064229	LOCK PIN	01
054B	0503010292	0.2" X 1.6" SPRING PIN	01
054C	0503030978	COMPRES SPRING	01
054D	0503010131	3/16" X 1-1/2" COTTERPIN	01
055	0501047881	COUPLING SHAFT	01
056	0501040364	3/4" X 22.4" HOSE HOLDER ASSY	02
056A	0501060409	HOSE SOPPORT ASSY	02
056B	0503011442	3/4" SPRING WASHER	02
057	0511064310	FIXER PLATE FASTENER	02
058	0501010216	3/4" X 4-1/2" BOLT	16
059	0503010002	1800 GREASE FITTING	06
060	0503010004	1890 GREASE FITTING	02
061	0503010003	1845 GREASE FITTING	02
062	0511061021	SUPPORT FASTENER	04
063	0511061022	ROW MARKER SUPPORT	02
064	0511060013	ROW MARKER ARM	02
065	0511060014	ROW MARKER ARM	02
066	0511060010	1400 TURNBUCKLE	02
067	0521013347	1.1/4" X 8.4" AXLE	02
068	0521011142	1.1/4" X 7.5" AXLE	04
069	0521011141	1.1/4" X 6.5" AXLE	02
070	0501019435	FLAT WASHER	08
071	0503010523	1/4" X 2" COTTERPIN	20



Item	Code	Description	
072	0521012324	1/2" X 3.2"X 2.54" FASTENER	04
073	0511017302	FLAT WASHER	08
074	0501045149	1.5"X2.5"X30"X18"RH HYDRAULICCYLINDER	01
075	0501046485	1.5"X 2.5"X 30"X 18"LEFT HYDRAULIC CYLINDER	01
076	0511015573	2.07" X 1.6" TRANSPORT LOCK	02
077	0501068994	0.3" X 3.1"LOCK PIN	02
078	0501043271	3/4" NIPPLE WITH O'RING (5/16)	04
079	0502010175	HITCH CLAMP	10
080	0511066071	RIGHT TURNBUCKLE SUPPOT	01
081	0511066072	LEFT TURNBUCKLE SUPPORT	01
082	0511063091	1.1/2" X 995 TURNBUCKLE	01
083	0521010572	0.9" X 2.9" COUPLING SHAFT	02
084	0503030085	LOCK PIN	02
085	0501010163	5/8" X 4-1/2" BOLT	04
086	0501012140	FLAT WASHER	04
087	0503010027	SPRING WASHER	04
088	0503010013	5/8" NUT	04
089	0511063092	TURNBUCKLE 1.1/2" X 630 IZQ	01
090	0511063093	TURNBUCKLE 1.1/2" X 930 IZQ	01
091	0541014569	FIXER PLATE	02



MARCHESAN IMPLEMENTOS E MÁQUINAS AGRÍCOLAS TATU S.A.

AV. Marchesan, 1979 - Post office box, 131 - CEP 15994-900 - Matão - SP - Brazil

Phone +55 16.3382-8282

(FAX Parts) + 55 16.3382. 8297 - (Export) + 55 16.3382.1003

e.mail: tatu@marchesan.com.br www.marchesan.com.br

Technical Publications: Elaboration

JOSÉ DOMINGOS GASPARI

Technical Publications: Revision

ALESSANDRA PATRICIA KAWAHARA CARRILI

Contact Catálogo:

E-mail = jgaspari@marchesan.com.br

**ORIGINAL PARTS
TATU**

