

OFFSET DISK HARROW

GAIM 12/14/16/18/20D

Code: 0501090647

Series: S-0292

Revision: 00

Date Revision: JULHO/2018

PARTS CATALOGUE



MARCHESAN



PRODUCTS

| Code | Description | |
|------------|------------------------|--------|
| 0102250066 | GAIM 12 X 26 X 6,00 CM | S-0292 |
| 0102250076 | GAIM 12 X 26 X 6,00 DM | S-0292 |
| 0102250067 | GAIM 12 X 28 X 6,00 CM | S-0292 |
| 0102250077 | GAIM 12 X 28 X 6,00 DM | S-0292 |
| 0102250168 | GAIM 14 X 26 X 4,75 DM | S-0692 |
| 0102250068 | GAIM 14 X 26 X 6,00 CM | S-0292 |
| 0102250063 | GAIM 14 X 26 X 6,00 DM | S-0692 |
| 0102250069 | GAIM 14 X 28 X 6,00 CM | S-0292 |
| 0102250078 | GAIM 14 X 28 X 6,00 DM | S-0292 |
| 0102250151 | GAIM 14 X 28 X 7,5 CM | S-0292 |
| 0102250152 | GAIM 14 X 28 X 7,5 DM | S-0292 |
| 0102250070 | GAIM 16 X 26 X 6,00 CM | S-0292 |
| 0102250079 | GAIM 16 X 26 X 6,00 DM | S-0292 |
| 0102250071 | GAIM 16 X 28 X 6,00 CM | S-0292 |
| 0102250080 | GAIM 16 X 28 X 6,00 DM | S-0292 |
| 0102250173 | GAIM 16 X 28 X 7,50 CM | S-0292 |
| 0102250072 | GAIM 18 X 26 X 6,00 CM | S-0292 |
| 0102250081 | GAIM 18 X 26 X 6,00 DM | S-0292 |
| 0102250073 | GAIM 18 X 28 X 6,00 CM | S-0292 |
| 0102250082 | GAIM 18 X 28 X 6,00 DM | S-0292 |
| 0102250153 | GAIM 18 X 28 X 7,50 DM | S-0292 |
| 0102250149 | GAIM 18 X 28 X 7,50 DM | S-0292 |
| 0102250074 | GAIM 20 X 26 X 6,00 CM | S-0292 |
| 0102250083 | GAIM 20 X 26 X 6,00 DM | S-0292 |
| 0102250075 | GAIM 20 X 28 X 6,00 CM | S-0292 |
| 0102250084 | GAIM 20 X 28 X 6,00 DM | S-0292 |
| 0102250164 | GAIM 20 X 28 X 7,50 DM | S-0292 |

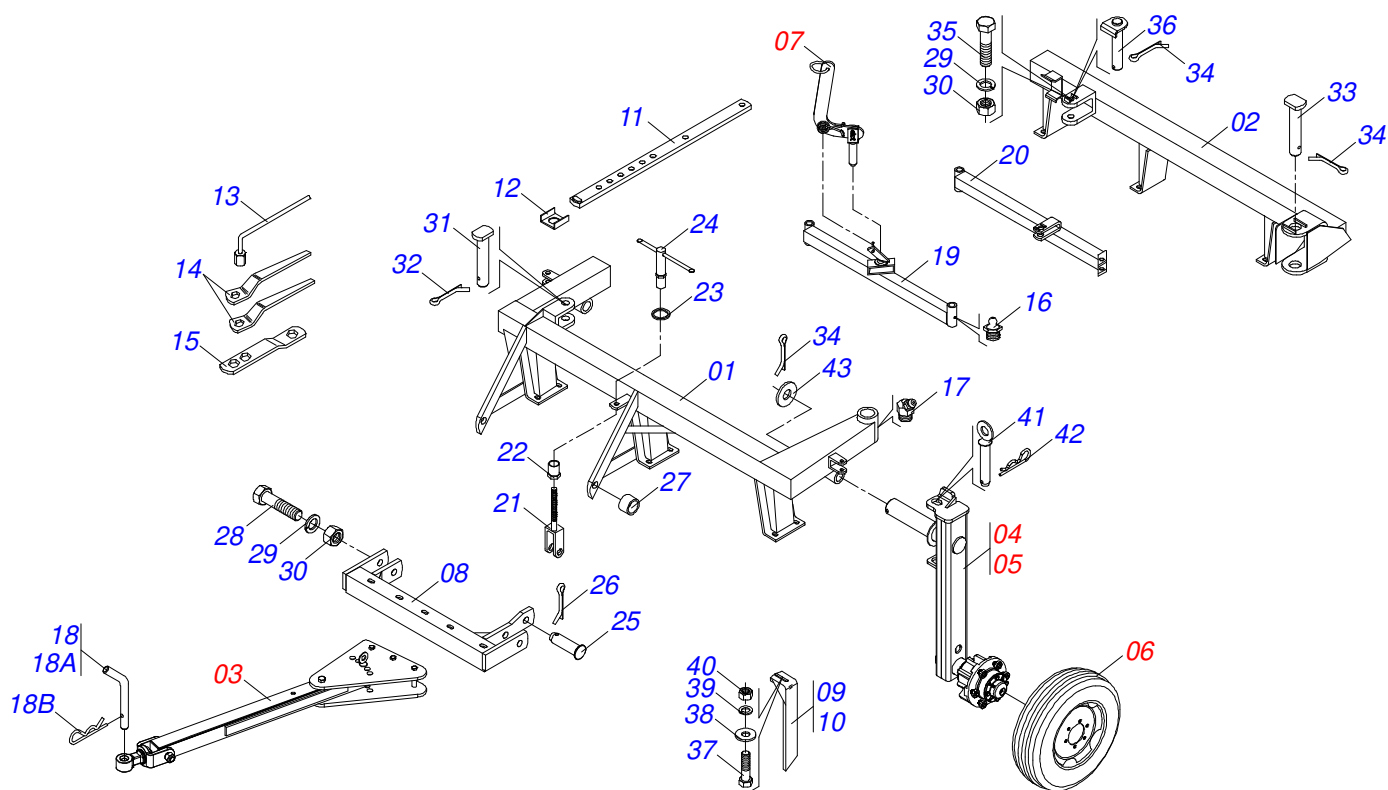
ATTENTION: IMPORTANT

Marchesan S.A. reserves the right to improve and/or modify the technical features of its products, without obligation to do the same with those products already sold and without prior knowledge of the dealer or the customer. The photos are only illustrative.



INDEX

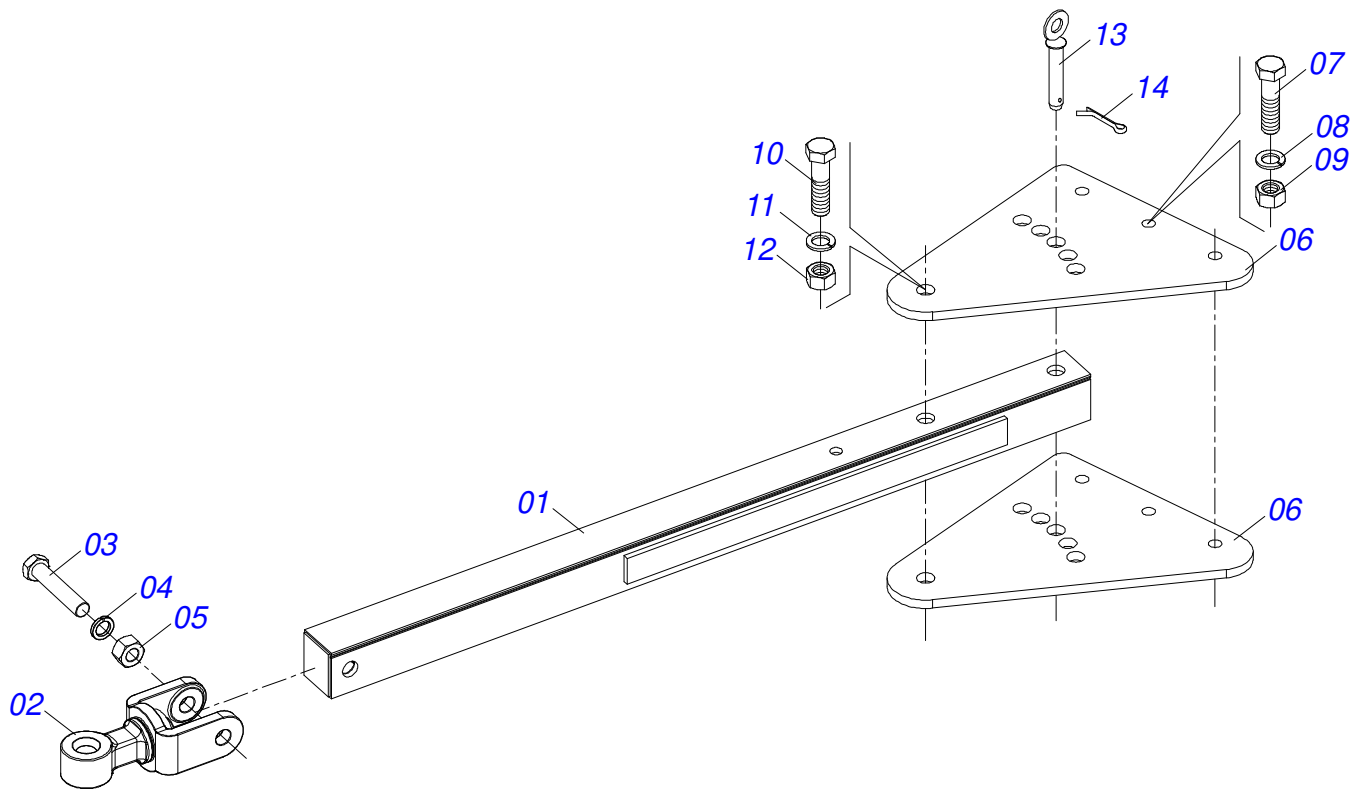
| | | | |
|------------|-------------------------------------|-------|----|
| 0909090129 | GAIM 12/14/16/18/20D | | 1 |
| 0501042816 | ASSY TRACTION BAR | | 2 |
| 0501051632 | RIGHT STUB SHAFT & HUB ASSY | | 3 |
| 0501051633 | LEFT STUB SHAFT & HUB ASSY | | 4 |
| 0501051142 | CARRYING WHEEL HUB | | 5 |
| 0503060094 | WHEEL AND TIRE ASSY | | 6 |
| 0501047858 | ADJUSTMENT LEVER ASSY | | 7 |
| 0909094302 | 12/14/16/18/20D - DISC GANG SECTION | | 8 |
| 0501046916 | 262 X 1-5/8" GRESABLE BRG ASSY,FG | | 9 |
| 0501046925 | 262 X 1-5/8" OIL BATH BRG ASSY,FG | | 10 |



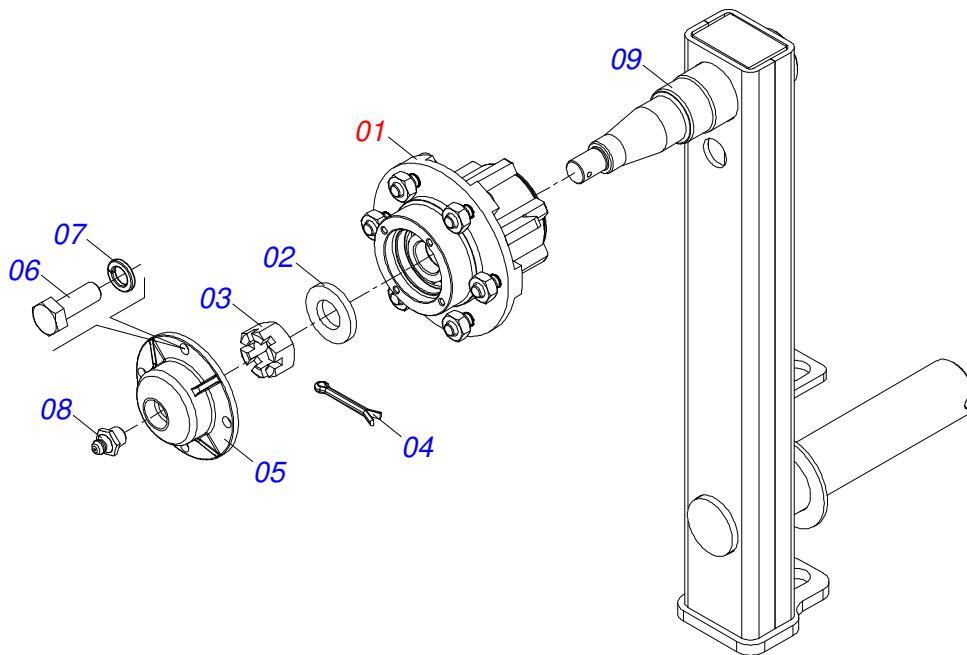
| Item | Code | Description | See page | 12 | 14 | 16 | 18 | 20 |
|--------|------------|-----------------------------------|----------|----|----|----|----|----|
| 01 | 0501065492 | FRAME FRONT | | 01 | 00 | 00 | 00 | 00 |
| 01. | 0501065521 | FRAME FRONT | | 00 | 01 | 00 | 00 | 00 |
| 01.. | 0501065529 | FRAME FRONT | | 00 | 00 | 01 | 00 | 00 |
| 01... | 0501065537 | FRAME FRONT | | 00 | 00 | 00 | 01 | 00 |
| 01.... | 0501065541 | FRAME FRONT | | 00 | 00 | 00 | 00 | 01 |
| 02 | 0501065493 | REAR FRAME | | 01 | 00 | 00 | 00 | 00 |
| 02. | 0501065522 | REAR FRAME | | 00 | 01 | 00 | 00 | 00 |
| 02.. | 0501065530 | REAR FRAME | | 00 | 00 | 01 | 00 | 00 |
| 02... | 0501065538 | REAR FRAME | | 00 | 00 | 00 | 01 | 00 |
| 02.... | 0501065542 | REAR FRAME | | 00 | 00 | 00 | 00 | 01 |
| 03 | 0501042816 | ASSY TRACTION BAR | 2 | 01 | 01 | 01 | 01 | 01 |
| 04 | 0501051632 | RIGHT STUB SHAFT & HUB ASSY | 3 | 01 | 01 | 01 | 01 | 01 |
| 05 | 0501051633 | LEFT STUB SHAFT & HUB ASSY | 4 | 01 | 01 | 01 | 01 | 01 |
| 06 | 0503060094 | WHEEL AND TIRE ASSY | 6 | 02 | 02 | 02 | 02 | 02 |
| 07 | 0501047858 | ADJUSTMENT LEVER ASSY | 7 | 01 | 01 | 01 | 01 | 01 |
| 08 | 0501065547 | OFFSET BAR | | 01 | 00 | 00 | 00 | 00 |
| 08. | 0501065548 | OFFSET BAR | | 00 | 00 | 01 | 00 | 00 |
| 08.. | 0501065549 | OFFSET BAR | | 00 | 01 | 00 | 01 | 01 |
| 09 | 0501064168 | REAR SCRAPER | | 03 | 04 | 04 | 04 | 05 |
| 10 | 0501064167 | REAR SCRAPER | | 03 | 04 | 04 | 04 | 05 |
| 11 | 0501064196 | ADJUSTMENT BAR | | 01 | 00 | 00 | 00 | 00 |
| 11. | 0501064198 | ADJUSTMENT BAR | | 00 | 01 | 00 | 00 | 00 |
| 11.. | 0501064197 | ADJUSTMENT BAR | | 00 | 00 | 01 | 01 | 01 |
| 12 | 0501011649 | U 1.2" X 3.1" X 3/16" BAR | | 01 | 01 | 01 | 01 | 01 |
| 13 | 0501061609 | 3/4" WRENCH CABLE CYLINDRICAL | | 01 | 01 | 01 | 01 | 01 |
| 14 | 0501011431 | 1-3/4" GANG BOLT WRENCH | | 02 | 02 | 02 | 02 | 02 |
| 15 | 0501010095 | 5/8" X 3/4" X 1" UNIVERSAL WRENCH | | 01 | 01 | 01 | 01 | 01 |
| 16 | 0503010002 | 1800 GREASE FITTING | | 02 | 02 | 02 | 05 | 05 |
| 17 | 0503010003 | 1845 GREASE FITTING | | 01 | 01 | 01 | 01 | 01 |
| 18 | 0501040343 | DRAWBOLT ASSY | | 01 | 01 | 01 | 01 | 01 |
| 18A | 0501010523 | DRAWBOLT | | 01 | 01 | 01 | 01 | 01 |



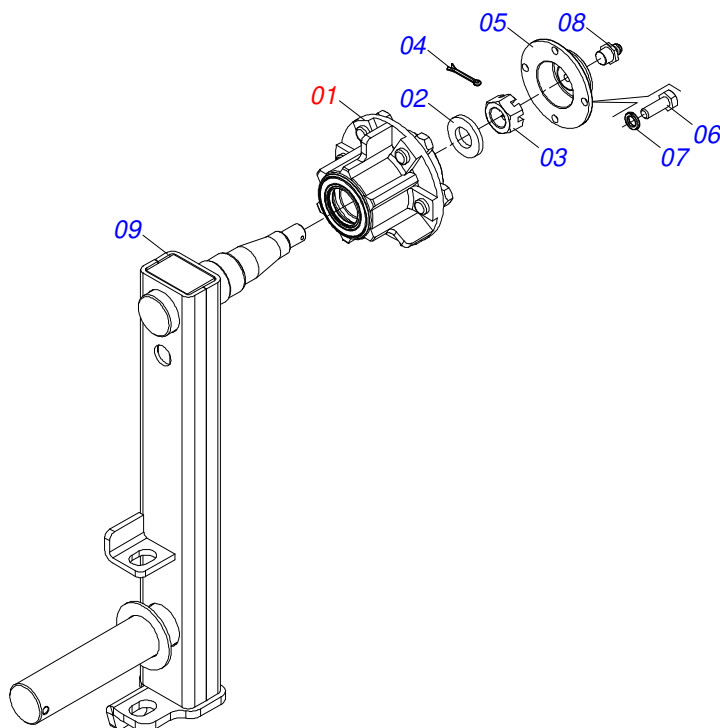
| Item | Code | Description | See page | 12 | 14 | 16 | 18 | 20 |
|------|------------|------------------------------------|----------|----|----|----|----|----|
| 18B | 0503031035 | HITCH PIN CLIP | | 01 | 01 | 01 | 01 | 01 |
| 19 | 0501062506 | FRONT STABILIZER BAR | | 00 | 00 | 01 | 01 | 01 |
| 20 | 0501062508 | REAR STABILIZER BAR | | 00 | 00 | 01 | 01 | 01 |
| 21 | 0501060201 | REGULATOR BOLT | | 01 | 01 | 01 | 01 | 01 |
| 22 | 0501068984 | BUSHING WITH NUT | | 01 | 01 | 01 | 01 | 01 |
| 23 | 0501014509 | FLAT WASHER | | 01 | 01 | 01 | 01 | 01 |
| 24 | 0501110265 | BUSHING WITH CRANK | | 01 | 01 | 01 | 01 | 01 |
| 25 | 0521010571 | COUPLING SHAFT | | 01 | 01 | 01 | 01 | 01 |
| 26 | 0503010571 | 1/4" X 1.1/2 COTTERPIN | | 01 | 01 | 01 | 01 | 01 |
| 27 | 0511019921 | 1.3" X 0.1" X 1" SLEEVE | | 02 | 02 | 02 | 02 | 02 |
| 28 | 0501011547 | 1" X 4-1/2" BOLT | | 02 | 02 | 02 | 02 | 02 |
| 29 | 0503010012 | 1" SPRING WASHER | | 03 | 03 | 03 | 03 | 03 |
| 30 | 0501010059 | 1.5/8 NUT | | 03 | 03 | 03 | 03 | 03 |
| 31 | 0521010644 | 1.5" X 8.4" COUPLING SHAFT | | 00 | 00 | 01 | 01 | 01 |
| 32 | 0503010534 | 3/8 X 2-1/2 COTTERPIN | | 00 | 00 | 01 | 01 | 01 |
| 33 | 0501065487 | 2.4" X 123" COUPLING SHAFT | | 01 | 01 | 01 | 01 | 01 |
| 34 | 0503010073 | 3/8 X 3-1/2 COTTERPIN | | 04 | 04 | 04 | 04 | 04 |
| 35 | 0503011432 | BOLT | | 01 | 01 | 00 | 00 | 00 |
| 36 | 0501062195 | 37,5 X 182 - JUNCTION SHAFT | | 01 | 01 | 01 | 01 | 01 |
| 37 | 0503011082 | C1/2" X 1.3/4" SCREW | | 12 | 16 | 16 | 16 | 20 |
| 38 | 0511017302 | FLAT WASHER 13,50 X 32,50 X 3,0 ZN | | 12 | 16 | 16 | 16 | 20 |
| 39 | 0503010019 | 1/2" SPRING WASHER | | 12 | 16 | 16 | 16 | 20 |
| 40 | 0503010060 | 1/2 UNC G.5 ZN HEX NUT | | 12 | 16 | 16 | 16 | 20 |
| 41 | 0501068993 | 0.9" X 5.5" COUPLING SHAFT | | 02 | 02 | 02 | 02 | 02 |
| 42 | 0503030168 | HITCH PIN CLIP | | 02 | 02 | 02 | 02 | 02 |
| 43 | 0501010246 | FLAT WASHER | | 02 | 02 | 02 | 02 | 02 |



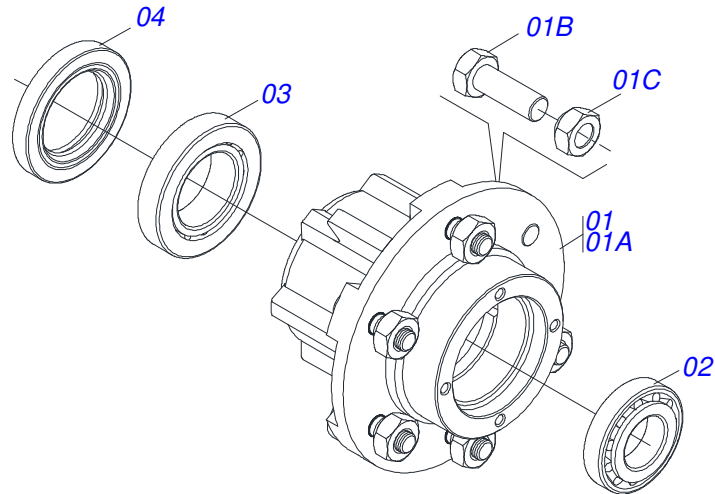
| Item | Code | Description | See page | QT |
|------|------------|----------------------------|----------|----|
| 01 | 0501060188 | DRAWBAR ASSY | | 01 |
| 02 | 0521061775 | TRACTOR HITCH | | 01 |
| 03 | 0501010060 | 1" X 6-1/2" BOLT | | 01 |
| 04 | 0503011438 | SPRING WASHER | | 01 |
| 05 | 0501010059 | 1.5/8 NUT | | 01 |
| 06 | 0501010241 | UPPER /LOWER PLATE | | 02 |
| 07 | 0503011198 | C3/4" X 6" SCREW | | 03 |
| 08 | 0503011442 | 3/4" SPRING WASHER | | 03 |
| 09 | 0503010014 | 3/4" HEX NUT | | 03 |
| 10 | 0501010191 | 1" X 6" BOLT | | 01 |
| 11 | 0503011438 | SPRING WASHER | | 01 |
| 12 | 0501010059 | 1.5/8 NUT | | 01 |
| 13 | 0501068993 | 0.9" X 5.5" COUPLING SHAFT | | 01 |
| 14 | 0503010571 | 1/4" X 1.1/2 COTTERPIN | | 01 |



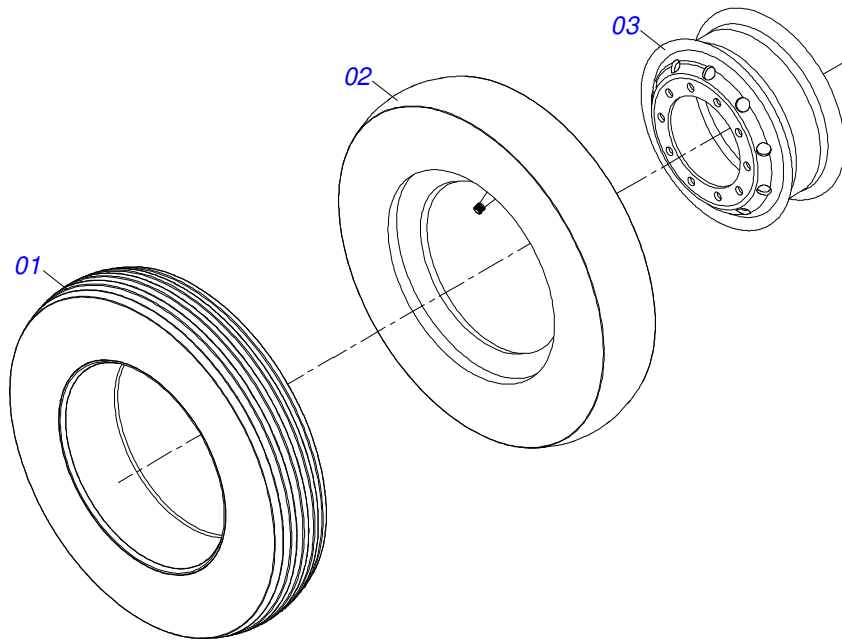
| Item | Code | Description | See page | QT |
|------|------------|-------------------------------|----------|----|
| 01 | 0501051142 | CARRYING WHEEL HUB | 5 | 01 |
| 02 | 0501016545 | FLAT WASHER | | 01 |
| 03 | 0503030009 | 1" CASTLE NUT | | 01 |
| 04 | 0503010018 | 5/32 X 1-1/2 COTTERPIN | | 01 |
| 05 | 0502020591 | PROTECCION COVER | | 01 |
| 06 | 0503010358 | 5/16" X 5/8" BOLT | | 04 |
| 07 | 0503011444 | SPRING WASHER | | 04 |
| 08 | 0503010002 | 1800 GREASE FITTING | | 01 |
| 09 | 0501069088 | RIGHT CARRYING-WHEELS SUPPORT | | 01 |



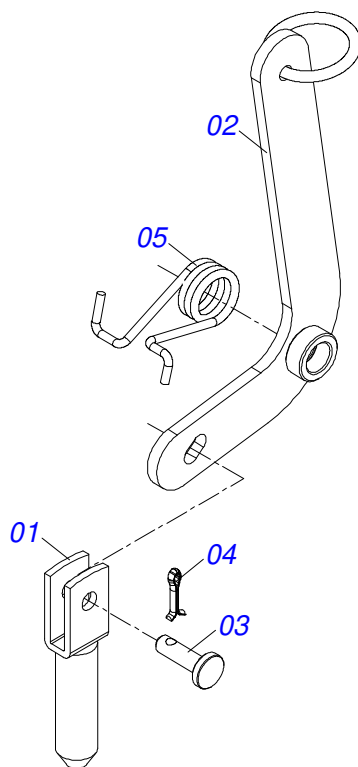
| Item | Code | Description | See page | QT |
|------|------------|------------------------------|----------|----|
| 01 | 0501051142 | CARRYING WHEEL HUB | 5 | 01 |
| 02 | 0501016545 | FLAT WASHER | | 01 |
| 03 | 0503030009 | 1" CASTLE NUT | | 01 |
| 04 | 0503010018 | 5/32 X 1-1/2 COTTERPIN | | 01 |
| 05 | 0502020591 | PROTECCION COVER | | 01 |
| 06 | 0503010358 | 5/16" X 5/8" BOLT | | 04 |
| 07 | 0503011444 | SPRING WASHER | | 04 |
| 08 | 0503010002 | 1800 GREASE FITTING | | 01 |
| 09 | 0501069089 | LEFT CARRYING-WHEELS SUPPORT | | 01 |



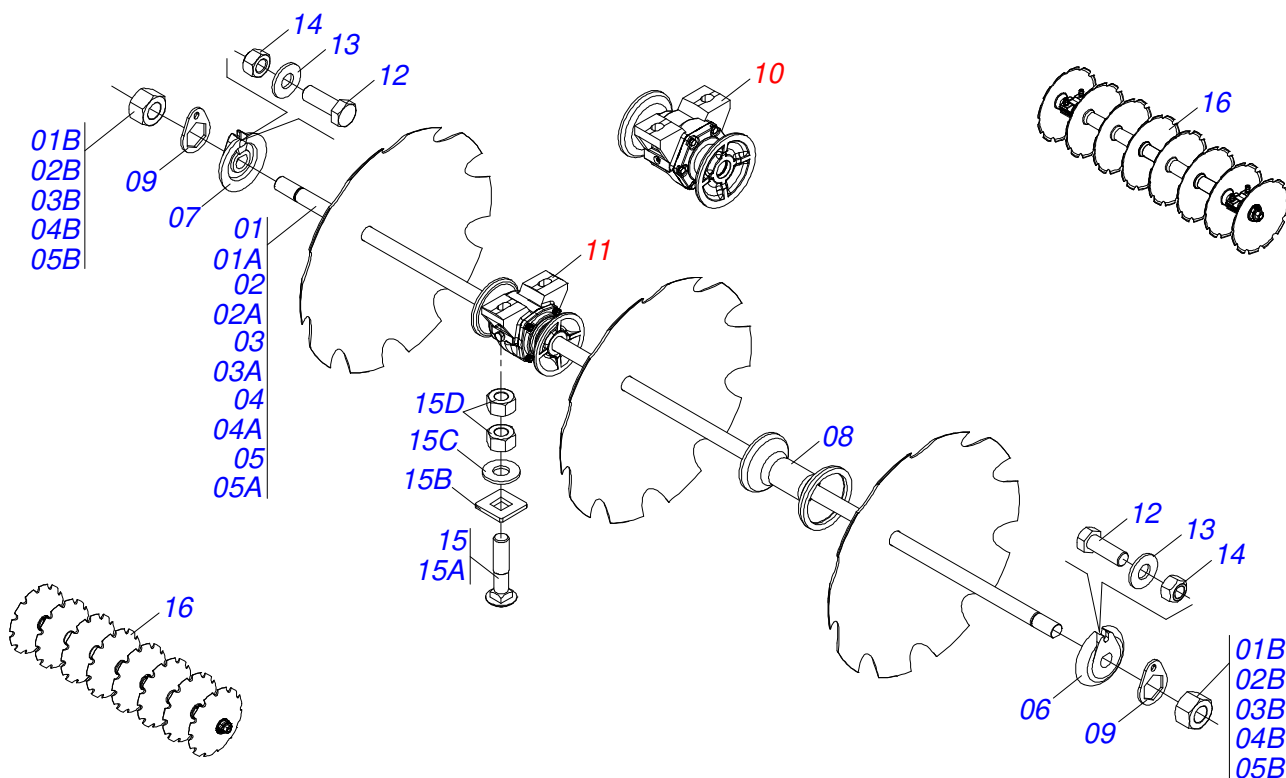
| Item | Code | Description | See page | QT |
|------|------------|-------------------------|----------|----|
| 01 | 0501110728 | WHEEL HUB | | 01 |
| 01A | 0502011121 | CARRYING WHEEL HUB | | 01 |
| 01B | 0501010127 | 9/16" X 1-7/8" LUG BOLT | | 06 |
| 01C | 0503010035 | 9/16" CONIC NUT | | 06 |
| 02 | 0503010037 | 30207 ROLLER BEARING | | 01 |
| 03 | 0503010006 | 32210 ROLLER BEARING | | 01 |
| 04 | 0503012928 | SEAL | | 01 |



| Item | Code | Description | See page | QT |
|------|------------|--------------------------------|----------|----|
| 01 | 0503010065 | CANVAS TIRE | | 01 |
| 02 | 0503010068 | 6.00 X 16 INNER TIRE | | 01 |
| 03 | 0503010894 | 0.2"X0.6"X4.6"X6F0.6"X6" WHEEL | | 01 |



| Item | Code | Description | See page | QT |
|------|------------|----------------------------|----------|----|
| 01 | 0501060185 | ADJUSTMENT LOCK | | 01 |
| 02 | 0501068981 | ADJUSTMENT LEVER | | 01 |
| 03 | 0521010624 | 0.4" X 1.5" COUPLING SHAFT | | 01 |
| 04 | 0503010071 | 3/16" X 1" COTTERPIN | | 01 |
| 05 | 0503030025 | 1.4" X 0.2" TORSION SPRING | | 01 |



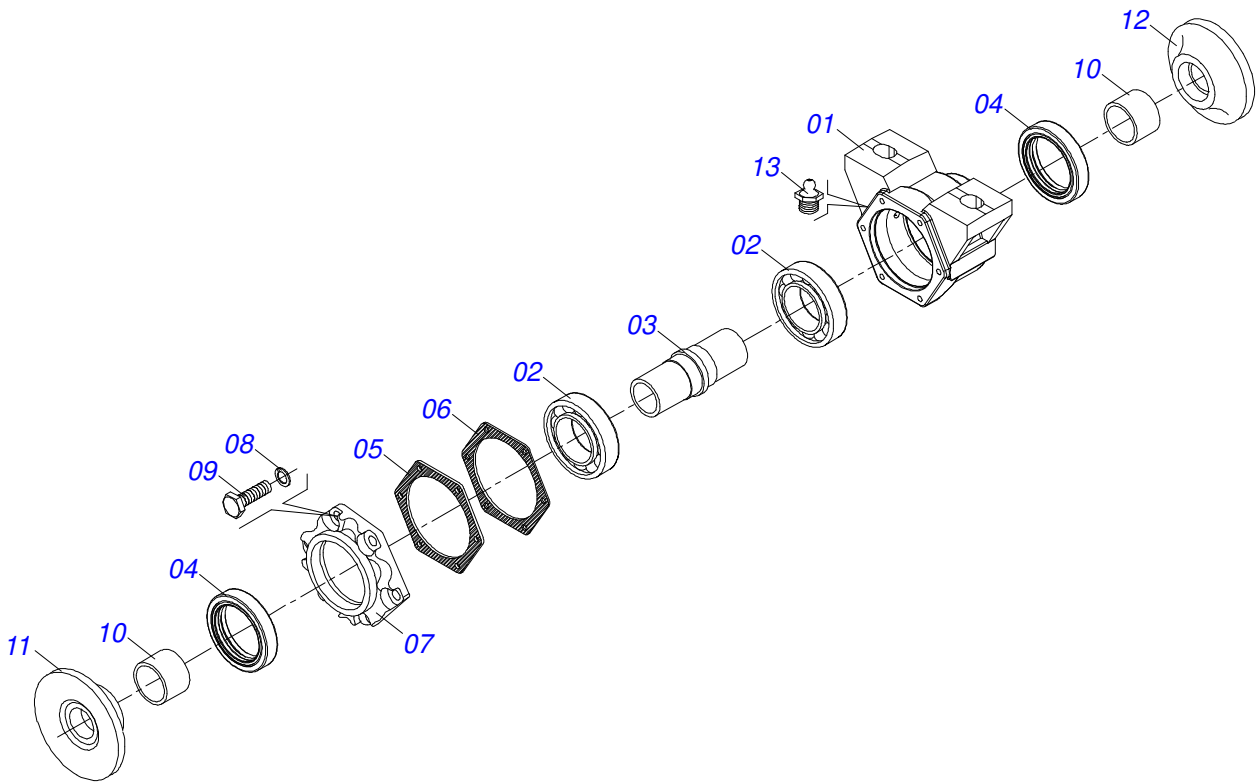
| Item | Code | Description | See page | 12 | 14 | 16 | 18 | 20 |
|------|------------|-------------------------------------|----------|----|----|----|----|----|
| 01 | 0501046856 | 1-5/8" X 59" AXLE WITH NUTS 2-3/4" | | 02 | 00 | 00 | 00 | 00 |
| 01A | 0501019012 | 1-5/8" X 59" AXLE | | 02 | 00 | 00 | 00 | 00 |
| 01B | 0502040640 | 1.5/8" 2.3/4" NUT | | 04 | 00 | 00 | 00 | 00 |
| 02 | 0501046859 | 1-5/8" X 70" AXLE WITH NUTS 2-3/4" | | 00 | 02 | 00 | 00 | 00 |
| 02A | 0501015631 | 1-5/8" X 70" AXLE | | 00 | 02 | 00 | 00 | 00 |
| 02B | 0502040640 | 1.5/8" 2.3/4" NUT | | 00 | 04 | 00 | 00 | 00 |
| 03 | 0501046861 | 1-5/8" X 80" AXLE WITH NUTS 2-3/4" | | 00 | 00 | 02 | 00 | 00 |
| 03A | 0501019015 | 1-5/8 X 80" AXLE | | 00 | 00 | 02 | 00 | 00 |
| 03B | 0502040640 | 1.5/8" 2.3/4" NUT | | 00 | 00 | 04 | 00 | 00 |
| 04 | 0501046811 | 1-5/8" X 38"- AXLE WITH NUTS 2-3/4" | | 00 | 00 | 00 | 02 | 00 |
| 04A | 0501019013 | 1-5/8" X 38" AXLE | | 00 | 00 | 00 | 02 | 00 |
| 04B | 0502040640 | 1.5/8" 2.3/4" NUT | | 00 | 00 | 00 | 04 | 00 |
| 05 | 0501046854 | 1-5/8" X 48" AXLE WITH NUTS 2-3/4" | | 00 | 00 | 00 | 02 | 04 |
| 05A | 0501019016 | 1-5/8 X 48" AXLE | | 00 | 00 | 00 | 02 | 04 |
| 05B | 0502040640 | 1.5/8" 2.3/4" NUT | | 00 | 00 | 00 | 04 | 08 |
| 06 | 0502011047 | 1-5/8" INNER AXLE WASHER | | 02 | 02 | 02 | 04 | 04 |
| 07 | 0502011048 | 1-5/8" EXTERNAL AXLE WASHER | | 02 | 02 | 02 | 04 | 04 |
| 08 | 0502010703 | 10.35" 1-5/8" SPACER | | 06 | 08 | 08 | 06 | 08 |
| 09 | 0511014339 | 1-5/8" 2.8" NUT LOCK | | 04 | 04 | 04 | 08 | 08 |
| 10 | 0501046916 | 262 X 1-5/8" GRESABLE BRG ASSY,FG | 9 | 04 | 04 | 06 | 08 | 08 |
| 11 | 0501046925 | 262 X 1-5/8" OIL BATH BRG ASSY,FG | 10 | 04 | 02 | 06 | 08 | 08 |
| 12 | 0503011267 | 5/8 UNC X 1.1/2 C S G.5 ZN BOLT | | 04 | 04 | 04 | 08 | 08 |
| 13 | 0501012140 | FLAT WASHER | | 04 | 04 | 04 | 08 | 08 |
| 14 | 0503012412 | 5/8" UNC SELF LOCKING NUT | | 04 | 04 | 04 | 08 | 08 |
| 15 | 0511040034 | 3/4" X 3-1/4" BOLT ASSY | | 08 | 08 | 12 | 16 | 16 |
| 15A | 0501017303 | 3/4" X 3-1/4" BOLT | | 08 | 08 | 12 | 16 | 16 |
| 15B | 0501010949 | 3/4" SQUARE WASHER | | 08 | 08 | 12 | 16 | 16 |
| 15C | 0501010322 | FLAT WASHER | | 08 | 08 | 12 | 16 | 16 |
| 15D | 0503010014 | 3/4" HEX NUT | | 16 | 16 | 24 | 32 | 32 |
| 16 | 0602037004 | 28" X 0.2" NOTCHED DISC BLADE | | 12 | 14 | 16 | 18 | 20 |
| 16. | 0602037006 | DR28X7,5 C102AF04FR1.11/16 10R TATU | | 12 | 14 | 16 | 18 | 20 |



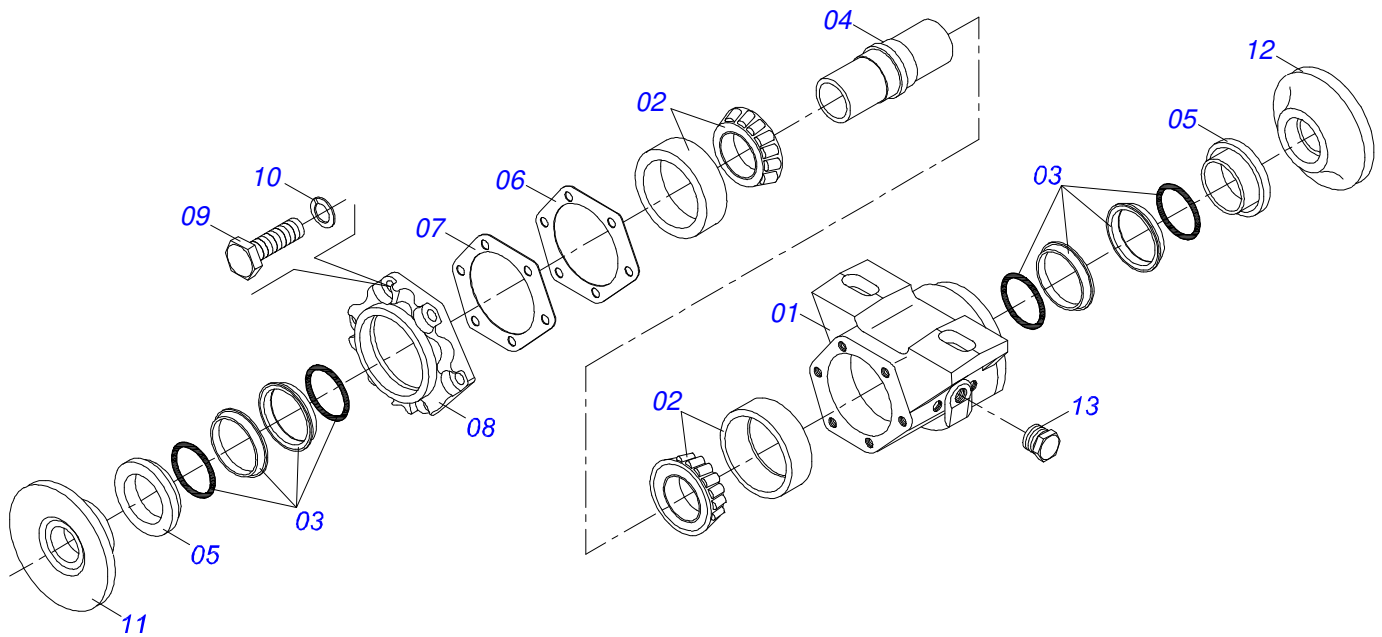
12/14/16/18/20D - DISC GANG SECTION

0909094302

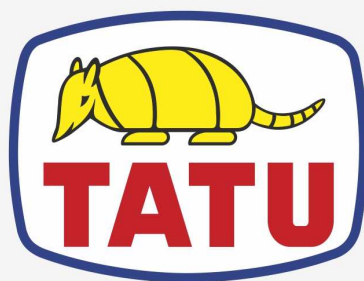
| Item | Code | Description | See page | 12 | 14 | 16 | 18 | 20 |
|-------|------------|-------------------------------------|----------|----|----|----|----|----|
| 16.. | 0602033005 | 26" X 0.2" NOTCHED DISC BLADE | | 12 | 14 | 16 | 18 | 20 |
| 16... | 0602033002 | DR26X4,75 C90AF04FR1.11/16 10R TATU | | 12 | 14 | 16 | 18 | 20 |



| Item | Code | Description | See page | QT |
|------|------------|-----------------------------|----------|----|
| 01 | 0502020479 | BEARING HOUSING, FG | | 01 |
| 02 | 0503010005 | 32212 ROLLER BEARING | | 02 |
| 03 | 0502010900 | BEARING AXLE | | 01 |
| 04 | 0503010087 | 02017-GB GREASE SEAL | | 02 |
| 05 | 0503030030 | 5.6" X 4.4" X 0.01" GASKET | | 03 |
| 06 | 0503030685 | 5.5" X 4.4" X 0.003" GASKET | | 02 |
| 07 | 0502020523 | BEARING CAP | | 01 |
| 08 | 0503011443 | 3/8" SPRING WASHER | | 06 |
| 09 | 0503010237 | 3/8" X 1" BOLT | | 06 |
| 10 | 0502040591 | SPACING BUSHING | | 02 |
| 11 | 0502040239 | OUTER FLANGE | | 01 |
| 12 | 0502040240 | INNER FLANGE | | 01 |
| 13 | 0503010002 | 1800 GREASE FITTING | | 01 |



| Item | Code | Description | See page | QT |
|------|------------|-----------------------------|----------|----|
| 01 | 0502020481 | HOUSING DM | | 01 |
| 02 | 0503010005 | 32212 ROLLER BEARING | | 02 |
| 03 | 0503030027 | DUO-CONE SEAL | | 02 |
| 04 | 0502010900 | BEARING AXLE | | 01 |
| 05 | 0502010735 | SEAL RETAINER | | 02 |
| 06 | 0503030030 | 5.6" X 4.4" X 0.01" GASKET | | 02 |
| 07 | 0503030685 | 5.5" X 4.4" X 0.003" GASKET | | 02 |
| 08 | 0502020161 | WEAR PLATE BEARING | | 01 |
| 09 | 0503010237 | 3/8" X 1" BOLT | | 06 |
| 10 | 0503011443 | 3/8" SPRING WASHER | | 06 |
| 11 | 0502040239 | OUTER FLANGE | | 01 |
| 12 | 0502040240 | INNER FLANGE | | 01 |
| 13 | 0503010856 | OIL PLUG | | 01 |



MARCHESAN

Technical Publications | Elaboration and Revision

ALESSANDRA PATRICIA KAWAHARA CARRILI

www.marchesan.com.br

