

PARTS CATALOG

DISK PLOWS AND MOLDBOARD PLOW

AF/AFC/AR/AAR/AAH /AST_MATIC
450/450E/550

Code: 0501090646



Series: S-0403

Review: ABRIL/2003

ORIGINAL PARTS
TATU



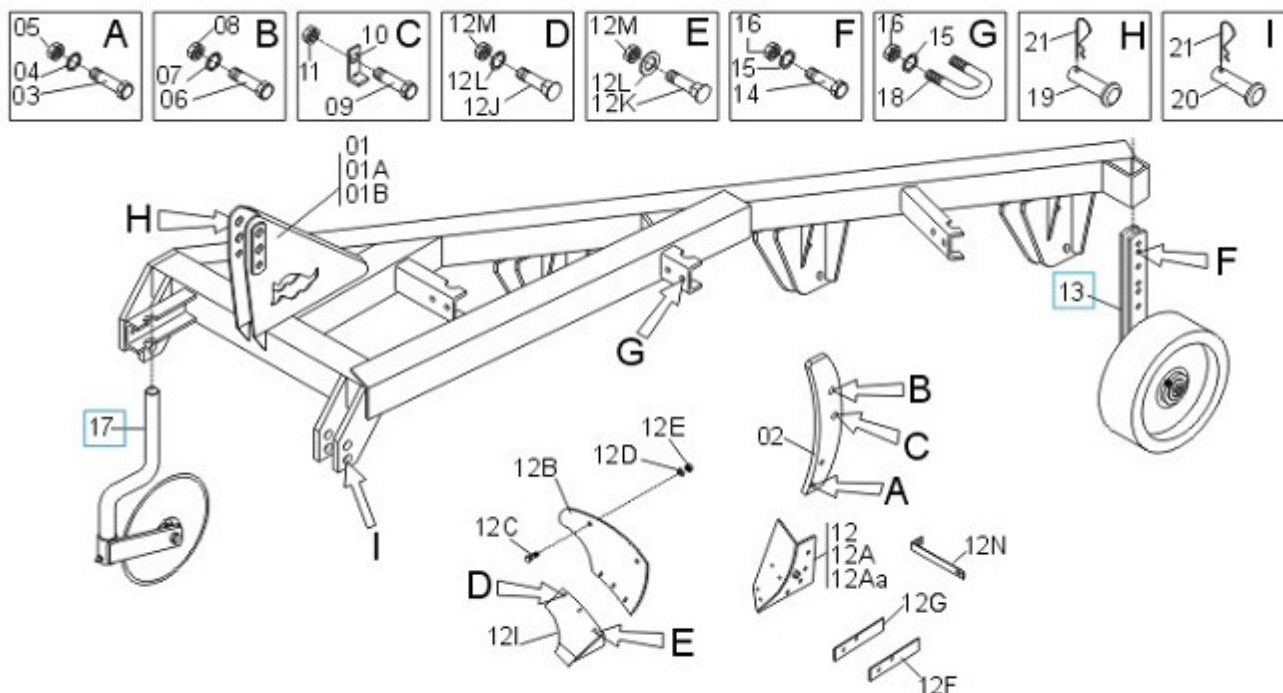
INDEX

0909090070	HELICOIDAL MOLDBOARD PLOW	1
0501042396	DEPTH WHEEL ASSY	2
0501043442	BLADE DISC ASSY	3
0909090348	AAH2 REC (HELICOIDAL MOLDBOARD PLOW)	5
0909090541	AAH2 (HELICOIDAL MOLDBOARD PLOW)	6

ATTENTION: IMPORTANT

MARCHESAN RESERVES THE RIGHT AT ANY TIME TO MAKE IMPROVEMENTS IN THE DESIGN, MATERIAL OR SPECIFICATIONS OF MACHINERY, EQUIPMENT OR PARTS WITHOUT THEREBY BECOMING LIABLE TO MAKE SIMILAR CHANGES IN MACHINERY, EQUIPMENT OR PARTS PREVIOUSLY SOLD.

HELICOIDAL MOLDBOARD PLOW



Item	Code	Description	02	03	04
00	0909090070	HELICOIDAL MOLDBOARD PLOW			
01	0501066151	FRAME	01	00	00
01A	0501066152	FRAME	00	01	00
01B	0501066153	FRAME	00	00	01
02	0521010381	ARM AAH	02	03	04
03	0503010901	3/4" X 3-1/2" BOLT	04	06	08
04	0503010023	3/4" SPRING WASHER	04	06	08
05	0503010014	3/4" NUT	04	06	08
06	0501013772	1/2" X 3-1/4" BOLT	05	06	07
07	0503010019	1/2" SPRING WASHER	05	06	07
08	0503010060	1/2" NUT	02	03	04
09	0501010171	1" X 3-1/2" BOLT	02	03	04
10	0511013467	NUT LOCK	02	03	04
11	0501010059	1" NUT HEX	02	03	04
12	0501044474	FRONT FLAT MOLDBOARD ASSY	01	02	03
12A	0501044475	REAR FLAT MOLDBOARD ASSY	01	01	01
12Aa	0501066531	SUPPORT MOLDBOARD	02	03	04
12B	0629010006	WING MOLDBOARD	02	03	04
12C	0503011426	7/16" X 1-1/4" BOLT	14	21	28
12D	0501012803	FLAT WASHER	10	15	20
12E	0503010244	7/16" NUT	10	15	20
12F	0622380010	SHEAR POINT	01	01	01
12G	0622380011	15" X 3.1/2" X 1/2" SHEAR POINT	01	01	01
12I	0629013501	SHEAR POINT	02	03	04
12J	0503011856	1/2" X 2" BOLT	02	03	04
12K	0503012956	1/2" X 1-1/2" BOLT	04	06	08
12L	0511017302		06	08	12
12M	0503010020	1/2" NUT	06	08	12
12N	0511013715	FRENCH HAND	02	03	04
13	0501042396	DEPTH WHEEL ASSY	01	01	01
14	0501013233	5/8" X 2-3/4" BOLT	02	02	02
15	0503010027	5/8" SPRING WASHER	06	08	10
16	0503010013	5/8" NUT	06	08	10



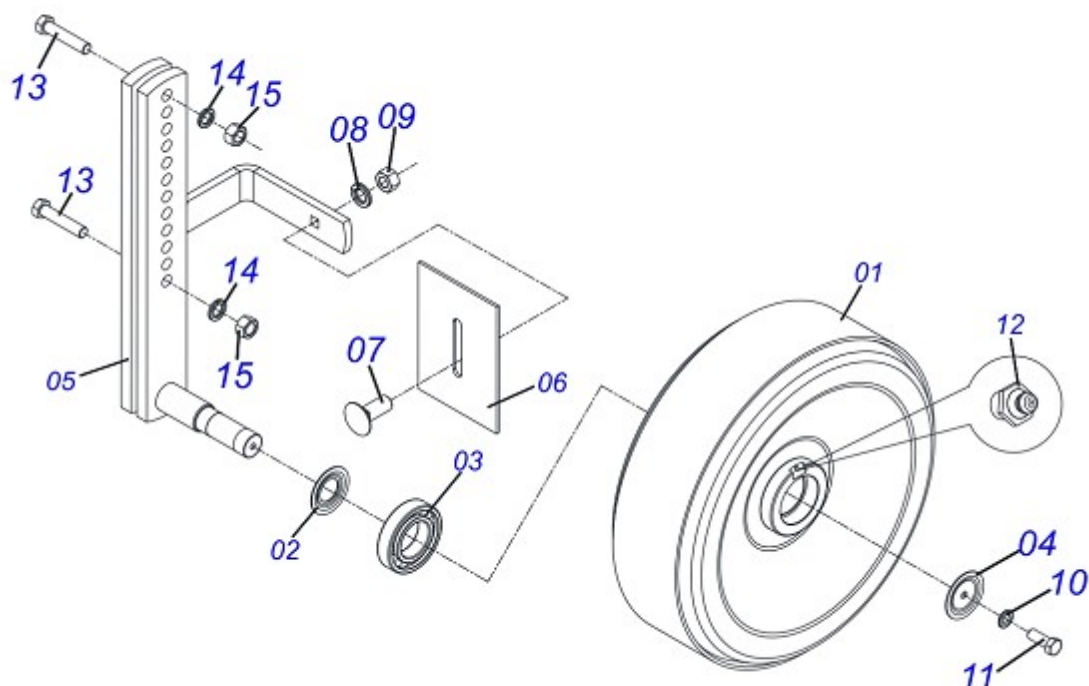
HELICOIDAL MOLDBOARD PLOW

0909090070

Item	Code	Description	02	03	04
17	0501043442	BLADE DISC ASSY	02	03	04
18	0521010667	5/8" X 3.93" X 2.36" FASTENER	02	03	04
19	0521010578	0.9" X 4.3" COUPLING SHAFT	01	01	01
20	0521010595	1.1" X 4.3" COUPLING SHAFT	02	02	02
21	0503031035	HAIR PIN	03	03	03

DEPTH WHEEL ASSY

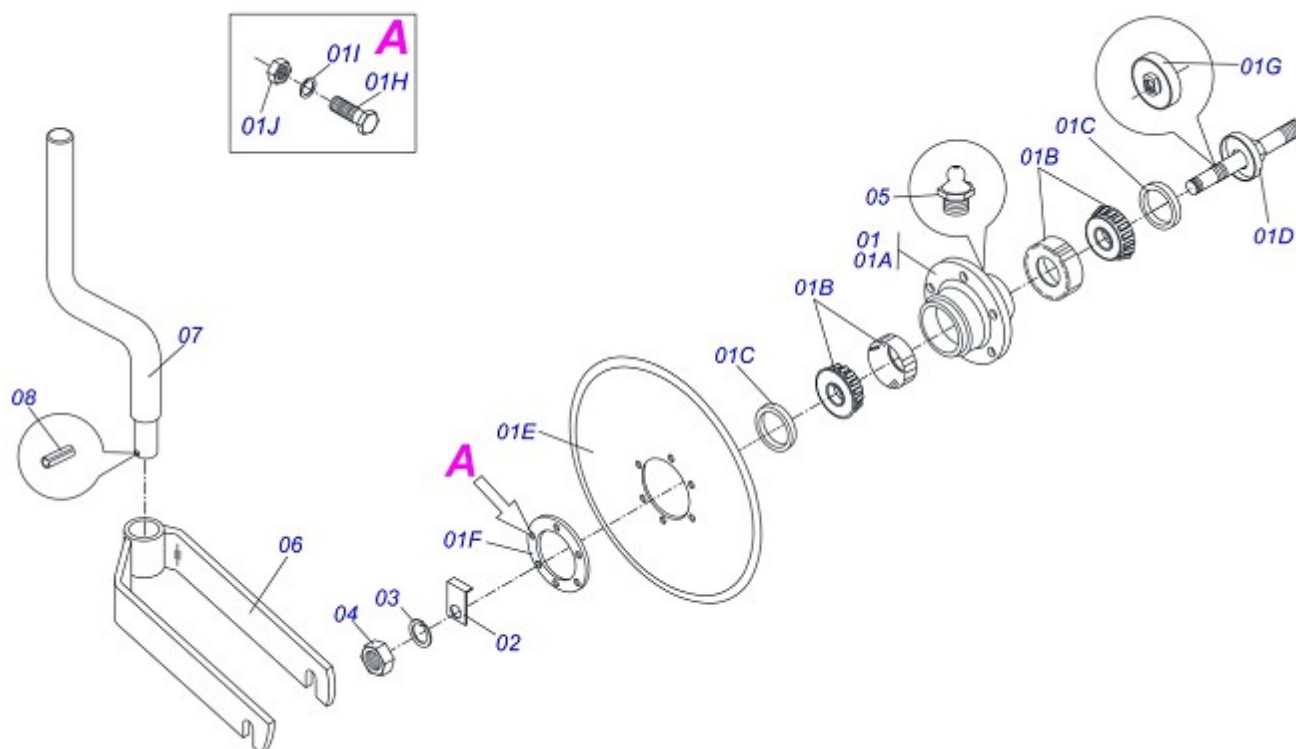
0501042396



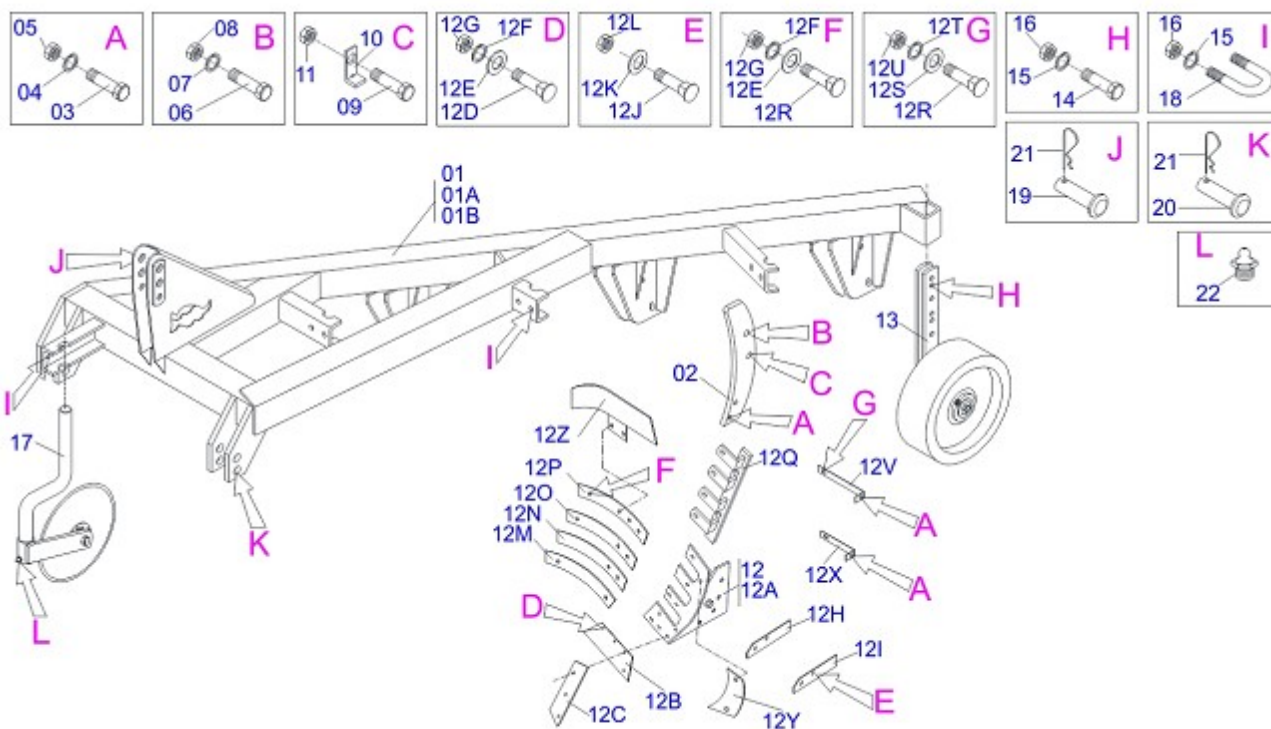
Item	Code	Description	QT
00	0501042396	DEPTH WHEEL ASSY	
01	0501063799	WHEEL AST	01
02	0501017454	2.8" X 1.4" X 0.75" DUST CLOAK	02
03	0503010816	6207 RS ROLLER BEARING	01
04	0501017455	2.8" X 0.4" X 0.75" DUST CLOAK	01
05	0501066364	DEPTH WHEEL ARM	01
06	0501013138	SCRAPER	01
07	0501011600	1/2" X 1-1/4" BOLT	01
08	0503010019	1/2" SPRING WASHER	01
09	0503010020	1/2" NUT	01
10	0503010025	3/8" SPRING WASHER	01
11	0503010237	3/8" X 1" HEX BOLT G5	01
12	0503010002	GREASE FITTING	01
13	0501011541	5/8" X 3" BOLT	02
14	0503010027	5/8" SPRING WASHER	02
15	0503010013	5/8" NUT	02

BLADE DISC ASSY

0501043442



Item	Code	Description	QT
00	0501043442	BLADE DISC ASSY	
01	0501050570	BLADE DISC ASSY	01
01A	0502011279	DISC HUB	01
01B	0503010215	30205 BEARING	02
01C	0503010213	SEAL 30205	02
01D	0501066520	BLADE DISC HUB AXLE	01
01E	0603023009	16" X 0.2" FLAT PLAIN DISC	01
01F	0501013839	BLADE DISC FLANGE OUTER	01
01G	0501066521	3/4" UNF WITH DUST CLOAK NUT	01
01H	0503010371	5/16" X 1" BOLT	06
01I	0503010179	5/16" SPRING WASHER	06
01J	0503010337	5/16" NUT	06
02	0511014081	5/8" AXLE LOCK PIN	02
03	0503010027	5/8" SPRING WASHER	02
04	0503010013	5/8" NUT	02
05	0503010002	GREASE FITTING	01
06	0501066428	DISC BLADE SUPPORT	01
07	0501017348	DISC BLADE SUPPORT	01
08	0503010815	0.5" X 2.16" ELASTIC PIN	01



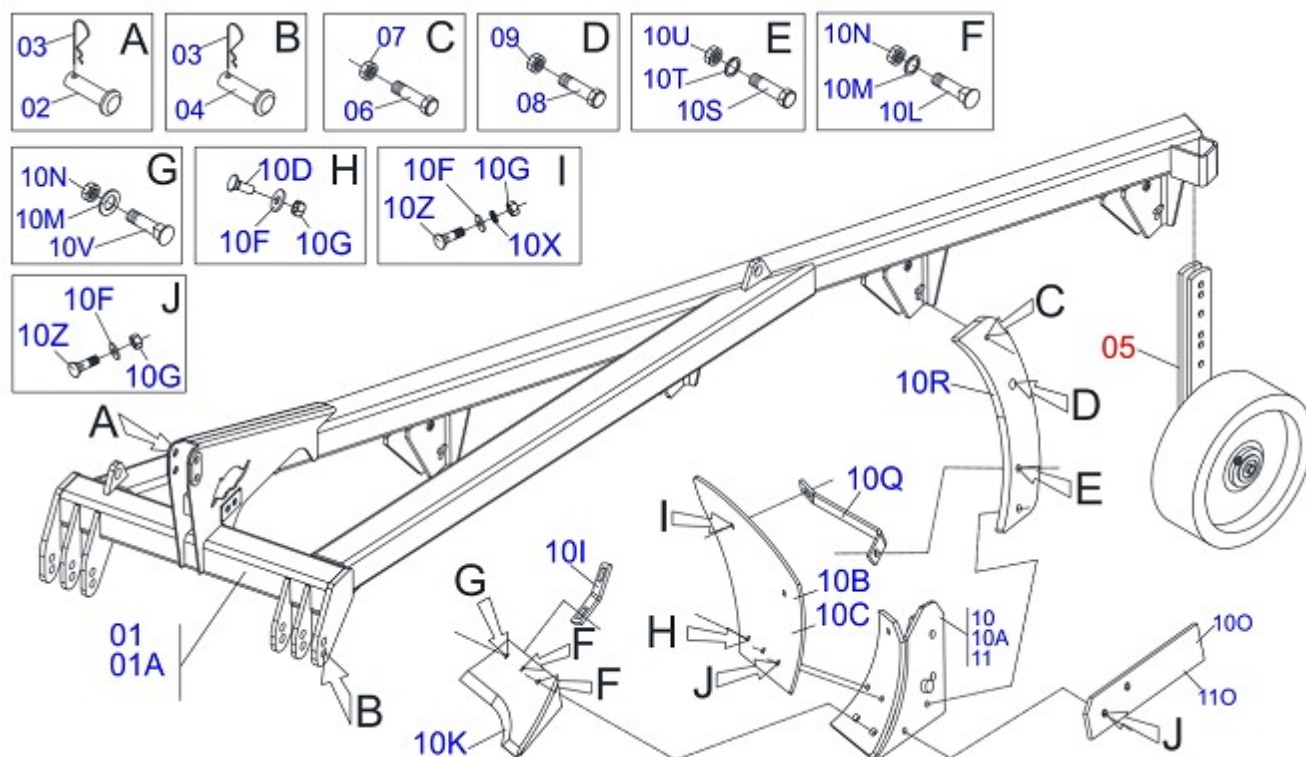
Item	Code	Description	02	03	04
00	0909090348	AAH2 REC (HILICOIDAL MOLDBOARD PLOW)			
01	0501066151	FRAME	01	00	00
01A	0501066152	FRAME	00	01	00
01B	0501066153	FRAME	00	00	01
02	0521010381	ARM AAH	02	03	04
03	0503010901	3/4" X 3-1/2" BOLT	04	05	06
04	0503010023	3/4" SPRING WASHER	04	05	06
05	0503010014	3/4" NUT	04	05	06
06	0503010752	1/2" X 3.1/2" BOLT	02	03	04
07	0503010019	1/2" SPRING WASHER	02	03	04
08	0503010020	1/2" NUT	02	03	04
09	0501010171	1" X 3-1/2" BOLT	02	03	04
10	0511013467	NUT LOCK	02	03	04
11	0501010059	1" NUT HEX	02	03	04
12	0501044472	FRONT NOTCHED MOLDBOARD ASSY	01	02	03
12A	0501044473	REAR NOTCHED MOLDBOARD ASSY	01	01	01
12Aa	0501066154	SUPPORT MOLDBOARD	02	03	04
12B	0501065946	KNIFE MOLDBOARD WITH GUIDE	02	03	04
12C	0629013502	SHEAR POINT	02	03	04
12D	0501011963	7/16" X 1-1/2" BOLT	08	12	16
12E	0501012803	FLAT WASHER	08	12	16
12F	0503010180	7/16" SPRING WASHER	08	12	16
12G	0503010244	7/16" NUT	08	12	16
12H	0622380011	15" X 3.1/2" X 1/2" SHEAR POINT	01	02	03
12I	0622380010	SHEAR POINT	01	01	01
12J	0503011856	1/2" X 2" BOLT	04	06	08
12K	0511017302	1/2" NUT	04	06	08
12L	0503010020	1/2" NUT	04	06	08
12M	0501016997	N-4 FLIP (AAP)	02	03	04
12N	0501016996	N-3 FLIP (AAP)	02	03	04
12O	0501016995	N-2 FLIP (AAP)	02	03	04
12P	0501016994	N-1 FLIP (AAP)	02	03	04
12Q	0501066150	SPACER FEATHERS	02	03	04



AAH2 REC (HILICOIDAL MOLDBOARD PLOW)

0909090348

Item	Code	Description	02	03	04
12R	0501011962	7/16" X 1-1/4" BOLT	08	12	16
12S	0501012803	FLAT WASHER	08	12	16
12T	0503010180	7/16" SPRING WASHER	08	12	16
12U	0503010244	7/16" NUT	08	12	16
12V	0511013102	LARGER FRENCH HAND	02	03	04
12X	0511013103	SMALLER FRENCH HAND	02	03	04
12Y	0629012003	MOLDBOARD WING COMPLEMENT	02	03	04
12Z	0501066427	FLIP ASSY	02	03	04
13	0501042396	DEPTH WHEEL ASSY	01	01	01
14	0501011541	5/8" X 3" BOLT	02	02	02
15	0503010027	5/8" SPRING WASHER	08	10	12
16	0503010013	5/8" NUT	08	10	12
17	0501043442	BLADE DISC ASSY	01	01	01
18	0501013394	5/8" UNC X 100 X 60 CLAMP	03	04	05
19	0521010578	0.9" X 4.3" COUPLING SHAFT	01	01	01
20	0521010595	1.1" X 4.3" COUPLING SHAFT	02	02	02
21	0503031035	HAIR PIN	03	03	03
22	0503010002	GREASE FITTING	01	01	01



Item	Code	Description	04 05 Aivecas
01	0511067714	FRAME	01
01A	0511067665	FRAME	01
02	0521010580	0.9" X 4.7" COUPLING SHAFT	01 01
03	0503031035	HAIR PIN	03 03
04	0521010596	1.1" X 4.7" COUPLING SHAFT	02 02
05	0501042396	DEPTH WHEEL ASSY	01 01
06	0551011551	FORK FIXER AAH2	04 05
07	0503014182	1" UNF LOCKNUT	04 05
08	0503010752	1/2" X 3.1/2" BOLT	04 05
09	0503010060	1/2" NUT	04 05
10	0501046316	FRONT FLAT MOLDBOARD ASSY	04 05
10A	0511067684	SUPPORT MOLDBOARD	01 01
10B	0629010008	WING MOLDBOARD	01 01
10C	0511015828	PLASTIC LINING	01 01
10D	0503011426	7/16" X 1-1/4" BOLT	06 06
10E	0503011199	7/16" X 1-1/2" BOLT	04 04
10F	0501012803	FLAT WASHER	03 03
10G	0503010244	7/16" NUT	10 10
10H	0511015831	CHOCK SHEAR POINT	01 01
10I	0511014101	125 X 32 X 6,30 AA-2 FIXER	01 01
10J	0629012004	WING COMPLEMENT	01 01
10K	0629013501	SHEAR POINT	01 01
10L	0503014193	1/2" BSW X 2" BOLT	02 02
10M	0511017302		03 03
10N	0503010020	1/2" NUT	03 03
10O	0629011016	POINT	01 01
10P	0503011199	7/16" X 1-1/2" BOLT	02 02
10Q	0511013715	FRENCH HAND	01 01
10R	0521010381	ARM AAH	01 01
10S	0503010901	3/4" X 3-1/2" BOLT	02 02
10T	0503010023	3/4" SPRING WASHER	02 02
10U	0503010014	3/4" NUT	02 02
10V	0503012956	1/2" X 1-1/2" BOLT	01 01



AAH2 (HELICOIDAL MOLDBOARD PLOW)

0909090541

Item	Code	Description	04 05 Aivecas
10X	0503011446	7/16" SPRING WASHER	01 01
10Z	0503010773	7/16" X 1-3/4" BOLT	01 01
11	0501046317	REAR FLAT MOLDBOARD ASSY	04 05
11O	0622380014	POINT	01 01
24	0503012956	1/2" X 1-1/2" BOLT	



MARCHESAN

MARCHESAN IMPLEMENTOS E MÁQUINAS AGRÍCOLAS TATU S.A.

AV. Marchesan, 1979 - Post office box, 131 - CEP 15994-900 - Matão - SP - Brazil

Phone +55 16.3382-8282

(FAX Parts) + 55 16.3382. 8297 - (Export) + 55 16.3382.1003

e.mail: tatu@marchesan.com.br www.marchesan.com.br

*Drafting and Illustration = GASPARI
e.mail = jgaspari@marchesan.com.br*

**ORIGINAL PARTS
TATU**



MARCHESAN