

PARTS CATALOG

ROW CROP PLANTERS

PHT3/SUPREMA

Code: 0501090645



Series: S-0701

Rev.: 00

Date Rev.: JULHO/2002

ORIGINAL PARTS
TATU



PRODUCTS

Code	Description
0111030245	PHT3 7/ 4 3PONTO S/S AD S/MAR S0701
0111030158	PHT3 7/4 3PONTO MH S-0701
0111030033	PHT3 7/4 3PONTO MH ALG LINTER S0701
0111030125	PHT3 7/4 3PONTO MM S-0701
0111030133	PHT3 7/4 3PONTO MM CPS S-0701
0111030127	PHT3 7/4 ARRASTO MH S-0701
0111030134	PHT3 7/4 ARRASTO MH CPS S-0701
0111030128	PHT3 7/5 3PONTO MM S-0701
0111030135	PHT3 7/5 3PONTO MM CPS S-0701
0111030130	PHT3 7/5 ARRASTO MH S-0701
0111030136	PHT3 7/5 ARRASTO MH CPS S-0701
0111030131	PHT3 7/6 ARRASTO MH S-0701
0111030137	PHT3 7/6 ARRASTO MH CPS S-0701
0111030132	PHT3 7/7 ARRASTO MH S-0701
0111030138	PHT3 7/7 ARRASTO MH CPS S-0701
0111030259	PHT3 I 7/4 ARRASTO MH CPS S-0701
0111030258	PHT3 I 7/5 ARRASTO MH S-0701
0111030126	PHT3 P 7/4 3PONTO MM S-0701
0111030143	PHT3 P 7/4 3PONTO MM CPS S-0701
0111030139	PHT3 P 7/4 ARRASTO MH S-0701
0111030144	PHT3 P 7/4 ARRASTO MH CPS S-0701
0111030032	PHT3 P 7/4 ARRASTO/3P MH CPS S-0701
0111030129	PHT3 P 7/5 3PONTO MM S-0701
0111030145	PHT3 P 7/5 3PONTO MM CPS S-0701
0111030140	PHT3 P 7/5 ARRASTO MH S-0701
0111030146	PHT3 P 7/5 ARRASTO MH CPS S-0701
0111030020	PHT3 P 7/5 ARRASTO/3P MH S-0701
0111030141	PHT3 P 7/6 ARRASTO MH S-0701
0111030147	PHT3 P 7/6 ARRASTO MH CPS S-0701
0111030142	PHT3 P 7/7 ARRASTO MH S-0701
0111030148	PHT3 P 7/7 ARRASTO MH CPS S-0701

ATTENTION: **IMPORTANT**

MARCHESAN S/A RESERVES THE RIGHT AT ANY TIME TO MAKE IMPROVEMENTS IN THE DESIGN, MATERIAL OR SPECIFICATIONS OF MACHINERY, EQUIPMENT OR PARTS WITHOUT THEREBY BECOMING LIABLE TO MAKE SIMILAR CHANGES IN MACHINERY, EQUIPMENT OR PARTS PREVIOUSLY SOLD.

PRODUCTS

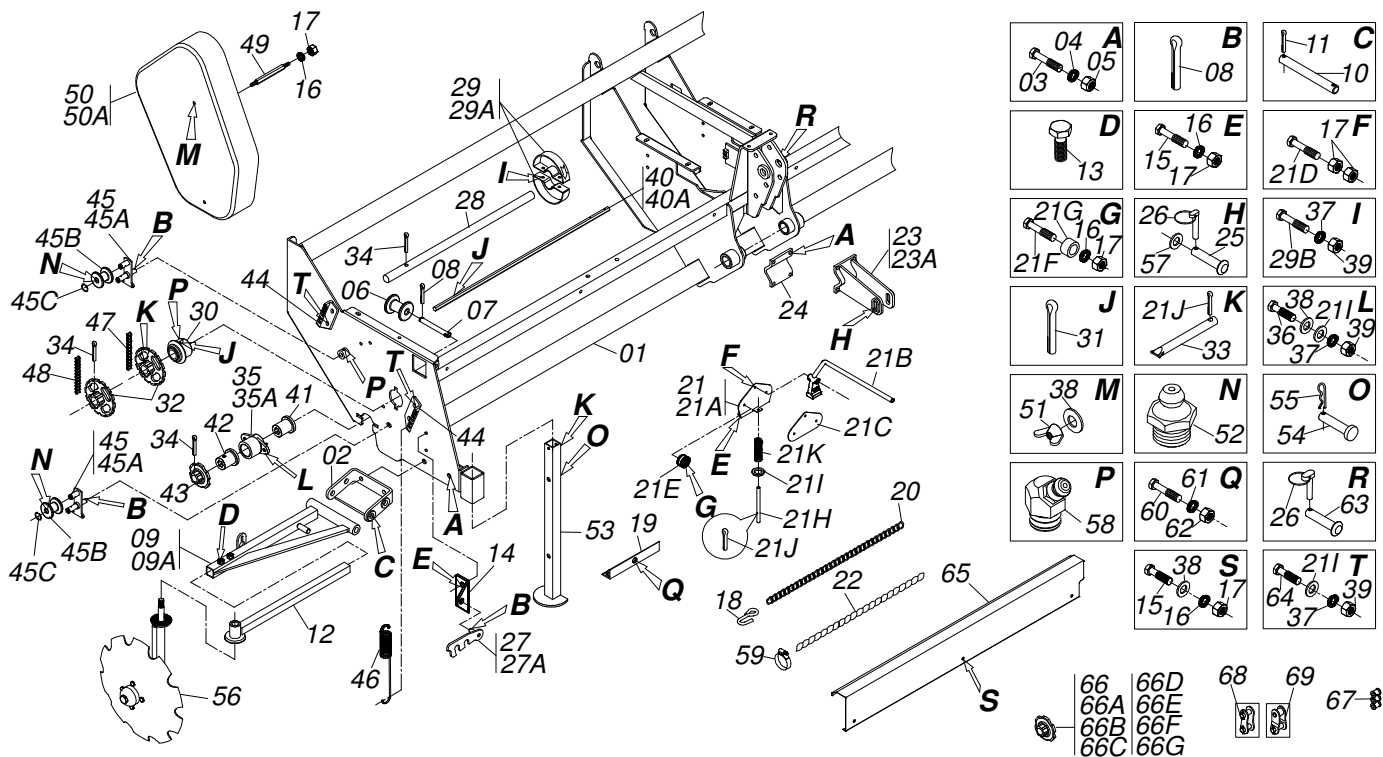
0111030149	PHT3 P SUPR 7/4 ARRAST MH CPS S-701
0111030150	PHT3 P SUPR 7/5 ARRAST MH CPS S-701
0111030151	PHT3 P SUPR 7/6 ARRAST MH CPS S-701
0111030157	PHT3 SUPR 7/4 ARR MH S/S ADB S-0701
0111030153	PHT3 SUPR 7/4 ARRAST MH CPS S-0701
0111030154	PHT3 SUPR 7/5 ARRAST MH CPS S-0701
0111030155	PHT3 SUPR 7/6 ARRAST MH CPS S-0701
0111030156	PHT3 SUPR 7/7 ARRAST MH CPS S-0701

ATTENTION: **IMPORTANT**

MARCHESAN S/A RESERVES THE RIGHT AT ANY TIME TO MAKE IMPROVEMENTS IN THE DESIGN, MATERIAL OR SPECIFICATIONS OF MACHINERY, EQUIPMENT OR PARTS WITHOUT THEREBY BECOMING LIABLE TO MAKE SIMILAR CHANGES IN MACHINERY, EQUIPMENT OR PARTS PREVIOUSLY SOLD.

INDEX

0909090081	FRAME 3° SCORE	1
0909090187	FRAME DRAG	2
0511040446	1.5" X 2.5" X 19.69" HYDRAULIC CYLINDER	3
0909090002	CARRYING-WHEELS 3° POINT	4
0909090103	CARRYING-WHEELS DRAG	5
0511040342	2.0" X 3.37" X 11.42" HYDRAULIC CYLINDER	6
0501052585	STUB SHAFT & HUB ASSY	7
0501053044	STUB SHAFT & HUB ASSY	8
0501049265	LH TRANSMISSION DRIVING ASSY	9
0909090104	FERTILIZER BOX ASSY (STEEL)	10
0909090003	FERTILIZER BOX ASSY (PLASTIC)	11
0501050633	MARKER DISC ASSY LINE	12
0909090080	SEED ROW ASSY	13
0909090134	SEED DISTRIBUTOR ASSY	14
0909090004	15" X 15" SEED UNAL DOUB-DISC ASSY	15
0501051867	DEPTH WHEEL	16
0501050927	PRESS WHEELS ASSY	17
0511040570	16" BLADE DISC ASSY	18
0909090028	FERTILIZER ROW ASSY	19
0909090102	FERTILIZER UNAL DOUB-DISC ASSY	20
0909090200	15X15 SEED UNAL DOUBLE-DISC ASSY	22
0501053855	PRESS WHEELS/DEPTH ASSY	23
0501052935	PRESS WHEELS ASSY	24
0909090133	HYDRAULIC CIRCUIT	25
0511040705	TURBINE ASSY FOR CARDAN	26
0909090194	DISTRIBUTOR AIR AND CARDAN	28
0909090489	DISC SOYBEAN DISTRIBUTOR SEED	29
0909091003	PRESS WHEELS BALL BEARING ASSY	30
0501043422	SEED COTTON SYSTEM ASSY	31



Item	Code	Description	See page	QT
01	0511063100	FRAME PHT3 S-0701	01	01
02	0511062811	ROW MARKER SUPPORT	02	02
03	0501013233	5/8" X 2-3/4" BOLT	12	12
04	0503010027	SPRING WASHER	12	12
05	0503012412	HEX SELF ADJUSTING NUT 5/8 UNC S	12	12
06	0502010421	SIDE PULLEY	02	02
07	0521010641	COUPLING SHAFT	02	02
08	0503010257	1/8" X 1" COTTERPIN	08	08
09	0511062836	RH ROW MARKER ARM	01	01
09A	0511062837	LH ROW MARKER ARM	01	01
10	0531012400	COUPLING SHAFT	02	02
11	0503010577	3/16" X 1-1/4" COTTERPIN	04	04
12	0511061610	ROW MARKER ARM	02	02
13	0503010834	1/2 X 1 BOLT	04	04
14	0511061286	ROW MARKER LOCK FIXATION SUPPORT	02	02
15	0503010237	3/8" X 1" BOLT	10	10
16	0503010025	3/8 SPRING WASHER	18	18
17	0503010026	3/8" NUT	18	18
18	0501013783	HOOK WITH CHAIN	04	04
19	0511017450	ANGLE BAR	01	01
20	0511017454	CHAIN WHIT LINK	02	02
21	0501052571	LEVER SUPPORT ASSY	01	01
21A	0511061292	LEVER FIXER SUPPORT ASSY	01	01
21B	0501068881	DRIVING	01	01
21C	0521016764	PULLEY FIXER	01	01
21D	0503011268	3/8" X 2-1/2" BOLT	01	01
21E	0502010420	CENTRAL PULLEY	02	02
21F	0503011179	3/8" X 2-1/4" BOLT	02	02
21G	0511014569	0.39" X 0.75" 1.42" BUSHING	02	02
21H	0511010804	SPRING ROD	01	01
21I	0501010694	FLAT WASHER	07	07



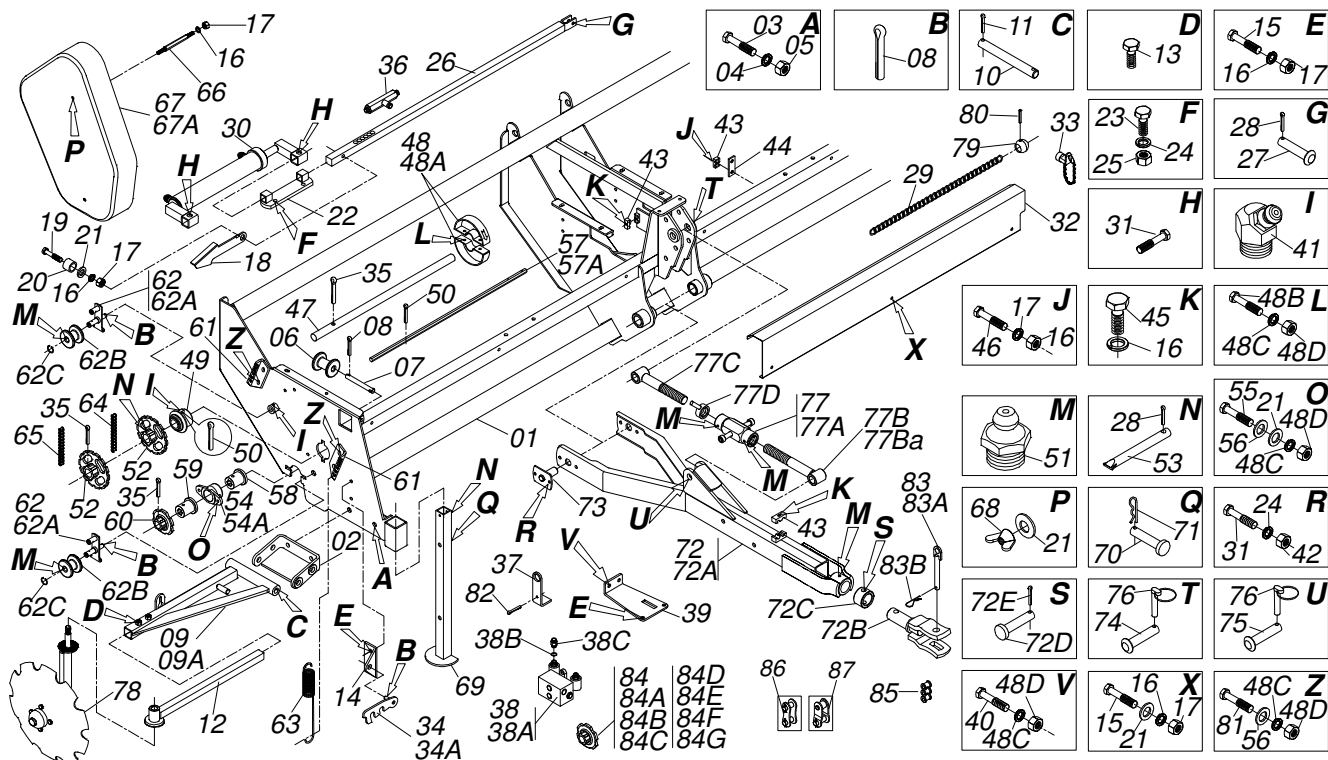
PHT3/SUPREMA
FRAME 3^o SCORE

Item	Code	Description	See page	QT
21J	0503010140	1/8" X 3/4" COTTERPIN		06
21K	0503030078	COMPRESSION SPRING		02
22	0511010805	3/8" X 216.54" ROPE		01
23	0511062708	LARGER LOWER HITCH		02
23A	0511062709	SMALLER LOWER HITCH		02
24	0531011448	FASTENER		02
25	0521010581	0.9" X 4.9" COUPLING SHAFT		02
26	0503030085	LOCK PIN		03
27	0511062908	ROW MARKER LOCK RIGHT		01
27A	0511062914	ROW MARKER LOCK LEFT		01
28	0521017651	1.3/8" X 53.15" MOTOR SHAFT		02
29	0501052560	AXLE MOTOR SLOW-MOVING ASSY		02
29A	0511061058	MOTOR SHAFT SLOW-MOVING		04
29B	0503010240	5/16" X 3/4" BOLT		04
30	0501110025	AGRICULTURAL BEARING		02
31	0503010300	5/32" X 1" COTTERPIN		02
32	0502011345	18Z P 1.25" RH1.3/8" GEAR		04
33	0521010530	COUPLING SHAFT		04
34	0503010010	1/4" X 2.1/2" COTTERPIN		04
35	0501110036	HEX AXLE RIGHT BEARING ASSY		01
35A	0501110037	5/8" HEX AXLE LEFT BEARING ASSY		01
36	0503010365	NUT		04
37	0503010179	SPRING WASHER		18
38	0501010984	FLAT WASHER		20
39	0503010337	5/16" NUT		18
40	0501017440	5/8" X 60.4" HEX AXLE		01
40A	0501017441	5/8" X 69.3" HEX AXLE		01
41	0502040723	5/8 HEX AXLE BEARING SLEEVE		02
42	0502011299	BUSHING GEAR		02
43	0502011314	8Z P 1.1/4" RH1.4" GEAR		02
44	0531013152	REGULATOR PLATE		04
45	0511040569	TRANSMISSION CHAIN TENSIONER ASSY		04
45A	0511063102	CHAIN TENSIONER		04
45B	0503030402	PULLEY		08
45C	0503010302	501019 SEAL RING		08
46	0503030418	TRACTION SPRING		04
47	0503010520	2050 CHAIN X 32 LINK + REDUCTION		02
48	0503010521	2050 CHAIN X 37 LINK + MENDING		02
49	0511011417	HEX STUD 3/8" X 3/8" X 5.79"		04
50	0503031698	RIGH CARRY-WHEEL CHAIN PROTECTION		01
50A	0503031699	LEFT COVER PROTECTION		01
51	0503010209	3/8" UNC BUTTERFLY NUT		04
52	0503010002	1800 GREASE FITTING		14
53	0501065337	PLOUGH SUPPORT		02
54	0521010809	11,11 X 64 COUPLING SHAFT		02
55	0503030168	HAIR PIN		02
56	0501050633	MARKER DISC ASSY LINE	12	02
57	0501010065	1" SPRING WASHER		02
58	0503010003	1845 GREASE FITTING		04
59	0503010296	CLAMP		02
60	0501010276	1" X 3" BOLT		01
61	0503010012	1" SPRING WASHER		01
62	0501010059	1.5/8 NUT		01
63	0521010580	COUPLING SHAFT		01
64	0503010363	5/16" X 1" BOLT		08
65	0531013558	ROW MARKER CHAIN COVER PROTECTION		02
66	0502011306	6Z P 1.2" RH 1.4" GEAR		04
66A	0502011443	7Z P 1.1/4" RH 1.3/8" GEAR		02
66B	0502011444	9Z P 1.1/4" RH 1.3/8" GEAR		02



PHT3/SUPREMA
FRAME 3º SCORE

Item	Code	Description	See page	QT
66C	0502011317	10Z P 1.2" RH 1.3/8" GEAR		04
66D	0502011322	11Z P 1.2" RH 1.3/8" GEAR		04
66E	0502011324	12Z P 1.2" RH 1.4" GEAR		06
66F	0502011334	14Z P 1.2" RH 1.4" GEAR		04
66G	0502011341	16Z P 1.2" RH 0.8" GEAR		04
67	0503011949	2050 CHAIN X 3 LINK + MENDING		02
68	0503010780	N-2050 AMENDMENT		02
69	0503010951	REDUCTION		04

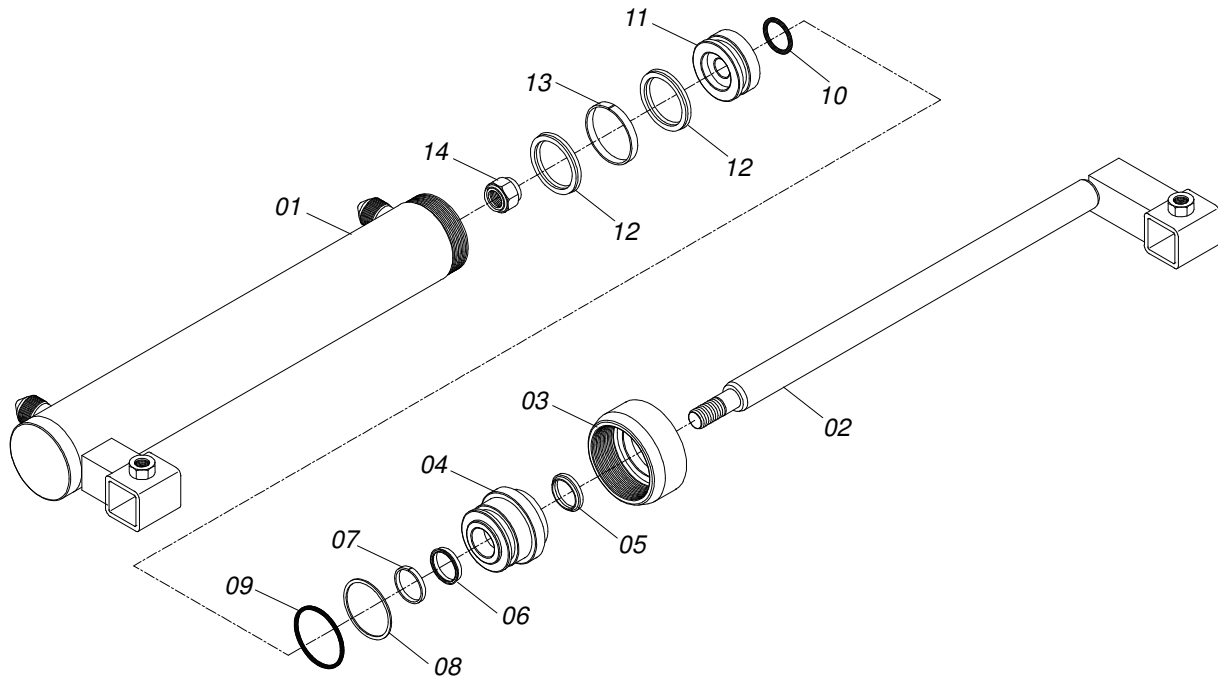


Item	Code	Description	See page	QT
01	0511063100	FRAME PHT3 S-0701		01
02	0511062811	ROW MARKER SUPPORT		02
03	0501013233	5/8" X 2-3/4" BOLT		04
04	0503010027	SPRING WASHER		04
05	0503012412	HEX SELF ADJUSTING NUT 5/8 UNC S		04
06	0502010421	SIDE PULLEY		02
07	0521010641	COUPLING SHAFT		02
08	0503010257	1/8" X 1" COTTERPIN		08
09	0511062836	RH ROW MARKER ARM		01
09A	0511062837	LH ROW MARKER ARM		01
10	0531012400	COUPLING SHAFT		02
11	0503010577	3/16" X 1-1/4" COTTERPIN		04
12	0511061610	ROW MARKER ARM		02
13	0503010834	1/2 X 1 BOLT		04
14	0511061286	ROW MARKER LOCK FIXATION SUPPORT		02
15	0503010237	3/8" X 1" BOLT		10
16	0503010025	3/8 SPRING WASHER		18
17	0503010026	3/8" NUT		18
18	0531010412	ROW MARKER ARM LOCK		02
19	0501010096	3/8" X 2" BOLT		02
20	0531010415	ROW MARKER ARM/DISARM GUIDE SLLEVE		04
21	0501010984	FLAT WASHER		19
22	0501065640	ROW MARKER ROD GUIDE		02
23	0503010920	1/2" X 1.1/2" BOLT		04
24	0503010019	1/2" SPRING WASHER		08
25	0503010060	1/2" NUT		04
26	0511063083	ROW MARKER ASSEMBLE DISASSEMBLE ARM		02
27	0521010534	0.3" X 1.16" COUPLING SHAFT		02
28	0503010140	1/8" X 3/4" COTTERPIN		04
29	0503012638	0.2" X 1310" CHAIN		02
30	0511040446	1.5" X 2.5" X 19.69" HYDRAULIC CYLINDER	3	01

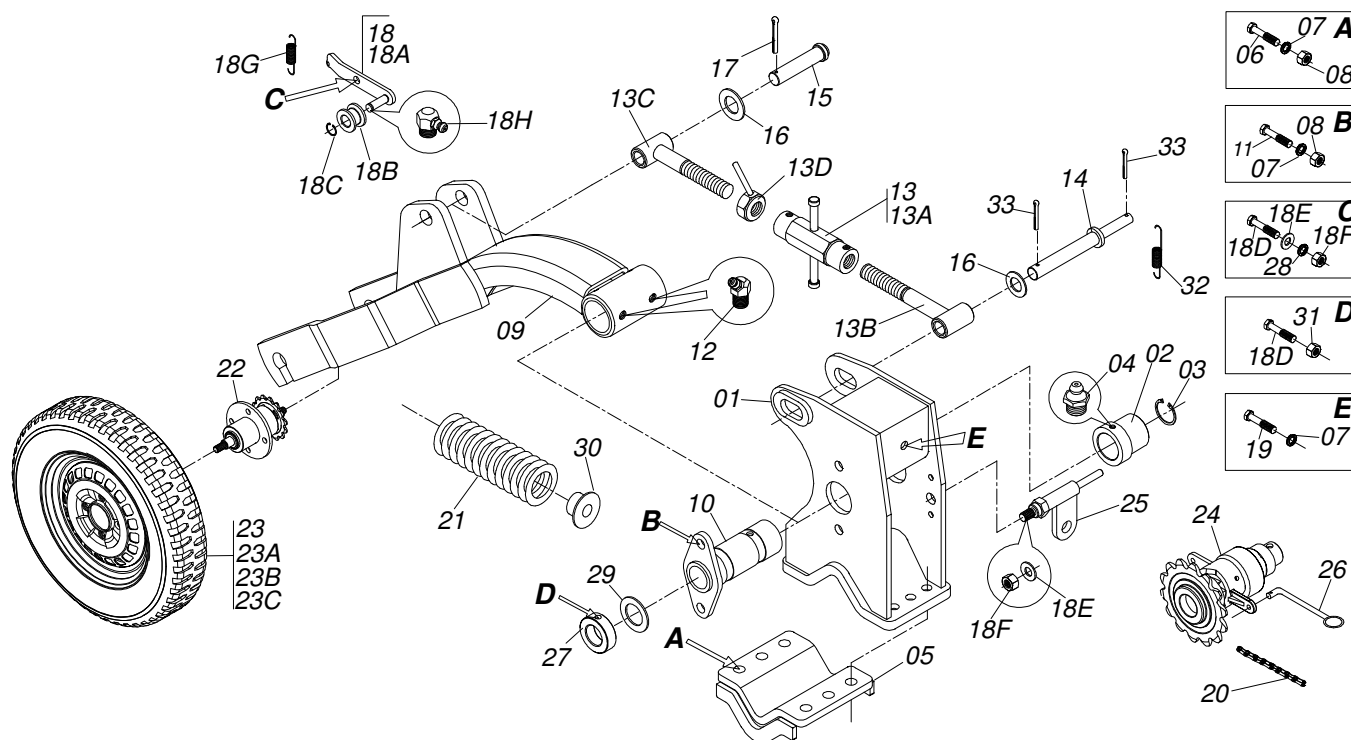
Item	Code	Description	See page	QT
31	0503010395	1/2" X 1-1/4" BOLT		06
32	0531013558	ROW MARKER CHAIN COVER PROTECTION		02
33	0503011114	QUICK COUPLING PUMP		02
34	0511062908	ROW MARKER LOCK RIGHT		01
34A	0511062914	ROW MARKER LOCK LEFT		01
35	0503010010	1/4" X 2.1/2" COTTERPIN		04
36	0503011968	T ADAPTOR WITH GIRAT		02
37	0521019833	TRANSPORT LOCK		01
38	0501052389	FLOW DIVIDING VALVE ASSY		01
38A	0503012172	1.97"-1.97" FLOW DIVIDING VALVE		01
38B	0503010190	2-114 N 3006-9B O'RING		06
38C	0501010617	3/4" NIPPLE		06
39	0521019832	VALVE FIXATION SUPPORT		01
40	0503010397	5/16" X 1-3/4" BOLT		02
41	0503010003	1845 GREASE FITTING		04
42	0503011336	1/2" HEX SELF ADJUSTING NUT		04
43	0502010477	UPPER CLIP		03
44	0521017639	HOSE ASSY FIXER SUPPORT		02
45	0503010751	C3/8" X 1.1/4" HEX BOLT G.5		01
46	0503010849	3/8" X 1-1/2" BOLT		02
47	0521017651	1.3/8" X 53.15" MOTOR SHAFT		02
48	0501052560	AXLE MOTOR SLOW-MOVING ASSY		02
48A	0511061058	MOTOR SHAFT SLOW-MOVING		04
48B	0503010240	5/16" X 3/4" BOLT		04
48C	0503010179	SPRING WASHER		18
48D	0503010337	5/16" NUT		18
49	0501110025	AGRICULTURAL BEARING		02
50	0503010300	5/32" X 1" COTTERPIN		04
51	0503010002	1800 GREASE FITTING		20
52	0502011345	18Z P 1.25" RH1.3/8" GEAR		04
53	0521010530	COUPLING SHAFT		04
54	0501110036	HEX AXLE RIGHT BEARING ASSY		01
54A	0501110037	5/8" HEX AXLE LEFT BEARING ASSY		01
55	0503010365	NUT		04
56	0501010694	FLAT WASHER		12
57	0501017440	5/8" X 60.4" HEX AXLE		01
57A	0501017441	5/8" X 69.3" HEX AXLE		01
58	0502040276	5/8" HEX AXLE BEARING BUSHING		02
59	0502010407	SPROCKET BUSH		02
60	0502011314	8Z P 1.1/4" RH1.4" GEAR		02
61	0531013152	REGULATOR PLATE		04
62	0511040569	TRANSMISSION CHAIN TENSIONER ASSY		04
62A	0511063102	CHAIN TENSIONER		04
62B	0503030402	PULLEY		08
62C	0503010302	501019 SEAL RING		08
63	0503030418	TRACTION SPRING		04
64	0503010520	2050 CHAIN X 32 LINK + REDUCTION		02
65	0503010521	2050 CHAIN X 37 LINK + MENDING		02
66	0511011417	HEX STUD 3/8" X 3/8" X 5.79"		04
67	0503031698	RIGH CARRY-WHEEL CHAIN PROTECTION		01
67A	0503031699	LEFT COVER PROTECTION		01
68	0503010209	3/8" UNC BUTTERFLY NUT		04
69	0501065337	PLOUGH SUPPORT		02
70	0521010809	11,11 X 64 COUPLING SHAFT		02
71	0503030168	HAIR PIN		02
72	0501049275	DRAWBAR W/ COUPLING TRACTOR		01
72A	0511061313	DRAWBAR		01
72B	0501069266	TRACTOR HITCH		01
72C	0521010681	BUSHING COUPLING BODY		01



Item	Code	Description	See page	QT
72D	0521010639	COUPLING SHAFT		01
72E	0503010571	1/4" X 1.1/2 COTTERPIN		01
73	0511061314	FIXER DRAWBAR		02
74	0521010579	COUPLING SHAFT		01
75	0521010577	0.9" X 4.1" COUPLING SHAFT		01
76	0503030085	LOCK PIN		02
77	0501052586	ESTABILIZER DRAWBAR ASSY		01
77A	0501110096	165 ADJUSTMENT NUT		01
77B	0511061503	8.86" RIGTH TURNBUCKLE		01
77Ba	0511062251	12.80" RIGTH TURNBUCKLE		01
77C	0511061504	8.86" LH TURNBUCKLE		01
77D	0501061056	RH LOCKNUT WITH HANDLER		01
78	0501050633	MARKER DISC ASSY LINE	12	02
79	0502011291	CHAIN SLEEVE		02
80	0503010683	0,2" X 1,2" SPRING PIN		02
81	0503010363	5/16" X 1" BOLT		08
82	0503010523	1/4" X 2" COTTERPIN		01
83	0501047881	COUPLING SHAFT		01
83A	0501068989	COUPLING SHAFT		01
83B	0503031035	HAIR PIN		01
84	0502011306	6Z P 1.2" RH 1.4" GEAR		04
84A	0502011443	7Z P 1.1/4" RH 1.3/8" GEAR		02
84B	0502011444	9Z P 1.1/4" RH 1.3/8" GEAR		02
84C	0502011317	10Z P 1.2" RH 1.3/8" GEAR		04
84D	0502011322	11Z P 1.2" RH 1.3/8" GEAR		04
84E	0502011324	12Z P 1.2" RH 1.4" GEAR		06
84F	0502011334	14Z P 1.2" RH 1.4" GEAR		04
84G	0502011341	16Z P 1.2" RH 0.8" GEAR		04
85	0503011949	2050 CHAIN X 3 LINK + MENDING		02
86	0503010780	N-2050 AMENDMENT		02
87	0503010951	REDUCTION		04



Item	Code	Description	See page	QT
01	0511063047	2.5" X 18.82" CASE BODY		01
02	0511063046	1.5" X 19.76" TURNBUCLE		01
03	0502010471	MOBILE COVER		01
04	0502010780	RING SUPPORT		01
05	0503010163	D-1500 SCRAPER RING		01
06	0503010989	1870-1500-375-B GASKET		01
07	0503010970	W1-1650-500 PK O'RING G.E		01
08	0503011058	8-330 BACK-UP RING		01
09	0503010161	2-330 N 3006 9B O'RING		01
10	0503010285	2-222 N 3006-9B O'RING		01
11	0502010783	1.5" X 2.5" PISTON		01
12	0503010160	2500 2000 GASKET		02
13	0503010973	W2-2500-500 PK O'RING G.E		01
14	0503010063	1" SELF-ALIGNING NUT		01
15	0501032666	HYDRAULIC CYLINDER REPAIR KIT		01



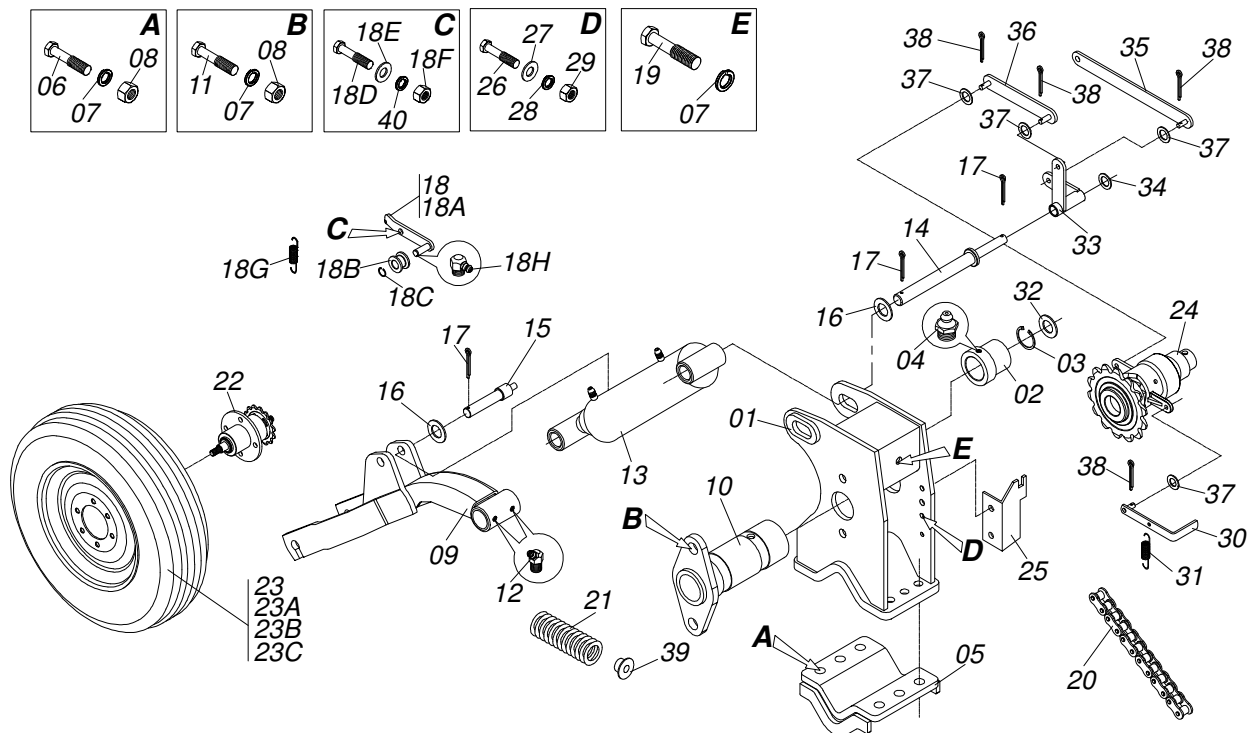
Item	Code	Description	See page	QT
01	0511062964	CARRYING WHEELS FORK SUPPORT	01	01
02	0521016734	BUSHING	01	01
03	0503010881	501042 CLAMPING RING (FOR AXLE)	01	01
04	0503010002	1800 GREASE FITTING	01	01
05	0511062685	CARRYING WHEELS ARM SUPPORT FIXER	01	01
06	0503010233	5/8" X 2-1/2" BOLT	06	06
07	0503010027	SPRING WASHER	09	09
08	0503012412	HEX SELF ADJUSTING NUT 5/8 UNC S	08	08
09	0511063121	CARRYING WHEELS FORK	01	01
10	0511061298	CARRYING WHEEL SUPPORT FIXER FLANGE	01	01
11	0503010232	5/8" X 1.3/4" BOLT	02	02
12	0503010003	1845 GREASE FITTING	02	02
13	0501052566	CARRYING WHEELS ESTABILIZER ASSY	01	01
13A	0501110096	165 ADJUSTMENT NUT	01	01
13B	0511061501	RIGHT TURNBUCKLE	01	01
13C	0511061502	LH JACK CRANK	01	01
13D	0501061056	RH LOCKNUT WITH HANDLER	01	01
14	0521016054	LARGER COUPLING SHAFT	01	01
15	0521010581	0.9" X 4.9" COUPLING SHAFT	01	01
16	0511015346	FLAT WASHER	02	02
17	0503010571	1/4" X 1.1/2 COTTERPIN	01	01
18	0501052634	WHEEL CHAIN TENSIONER ASSY	01	01
18A	0511061287	WHEEL CHAIN TENSIONER	01	01
18B	0521013735	PULLEY ACTIVA 13/15 S-0199	01	01
18C	0503010302	501019 SEAL RING	01	01
18D	0503010920	1/2" X 1.1/2" BOLT	02	02
18E	0511017302	FLAT WASHER	02	02
18F	0503011336	1/2" HEX SELF ADJUSTING NUT	02	02
18G	0503030242	0.8" X 4.7" X 0.08" TRACTION SPRING	01	01
18H	0503010004	1890 GREASE FITTING	01	01
19	0511015837	5/8" X 2" BOLT	01	01



PHT3/SUPREMA
CARRYING-WHEELS 3^o POINT

Page 4
0909090002

Item	Code	Description	See page	QT
20	0503012659	2050 CHAIN X 65 LINK + MENDING		01
21	0503031687	2.3" X 5.55" COMPRESSION SPRING		01
22	0501052585	STUB SHAFT & HUB ASSY	7	01
23	0503060105	WELL AND TIRE ASSY		01
23A	0503011010	CANVAS TIRE		01
23B	0503010791	AR F 15 INNER TIRE		01
23C	0503010789	0.2"J X 15H2" X0.2"F X0.6"X6" WHEEL		01
24	0501049265	LH TRANSMISSION DRIVING ASSY	9	01
25	0511061584	HEX AXLE		01
26	0511061252	DISASSEMBLE RATCHET		01
27	0511015961	LOCK BUSHING		01
28	0503010019	1/2" SPRING WASHER		01
29	0501018466	FLAT WASHER		03
30	0531012770	CARRYING WHEELS SPRING GUIDE		01
31	0503010060	1/2" NUT		01
32	0503030242	0.8" X 4.7" X 0.08" TRACTION SPRING		01
33	0503010131	3/16" X 1-1/2" COTTERPIN		02

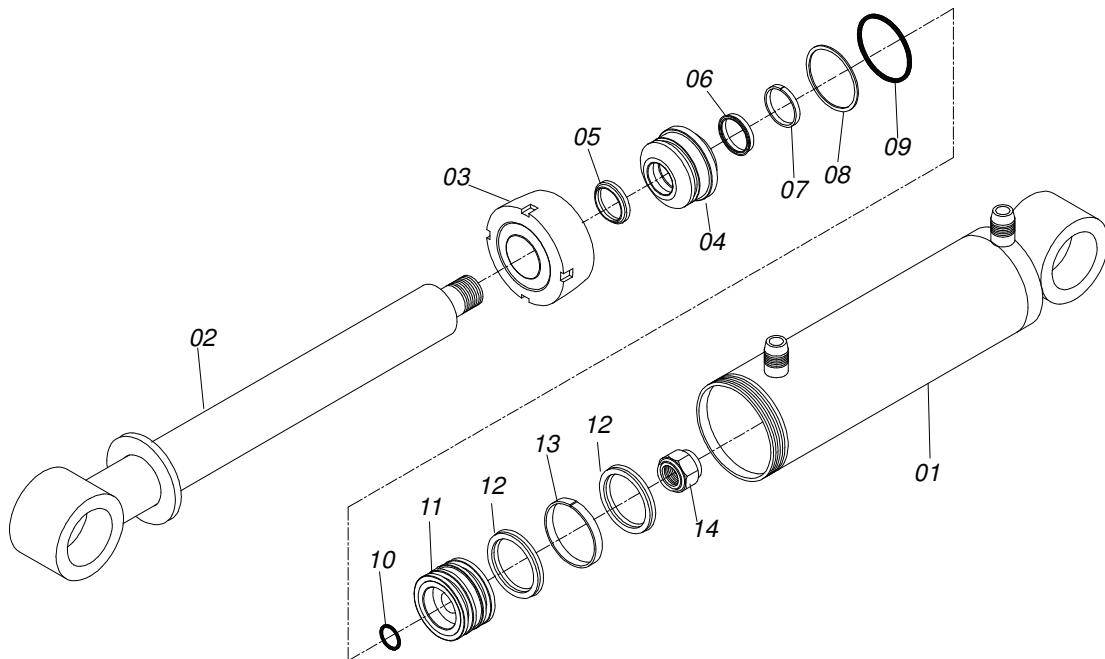


Item	Code	Description	See page	QT
01	0511062964	CARRYING WHEELS FORK SUPPORT		01
02	0521016734	BUSHING		01
03	0503010881	501042 CLAMPING RING (FOR AXLE)		01
04	0503010002	1800 GREASE FITTING		01
05	0511062685	CARRYING WHEELS ARM SUPPORT FIXER		01
06	0503010233	5/8" X 2-1/2" BOLT		06
07	0503010027	SPRING WASHER		08
08	0503012412	HEX SELF ADJUSTING NUT 5/8 UNC S		08
09	0511063121	CARRYING WHEELS FORK		01
10	0511061298	CARRYING WHEEL SUPPORT FIXER FLANGE		01
11	0503010232	5/8" X 1.3/4" BOLT		02
12	0503010003	1845 GREASE FITTING		02
13	0511040342	2.0" X 3.37" X 11.42" HYDRAULIC CYLINDER	6	01
14	0531011410	LARGER COUPLING SHAFT		01
15	0521016055	SMALLER COUPLING SHAFT		01
16	0511015346	FLAT WASHER		02
17	0503010131	3/16" X 1-1/2" COTTERPIN		03
18	0501052634	WHEEL CHAIN TENSIONER ASSY		01
18A	0511061287	WHEEL CHAIN TENSIONER		01
18B	0521013735	PULLEY ACTIVA 13/15 S-0199		01
18C	0503010302	501019 SEAL RING		01
18D	0503010920	1/2" X 1.1/2" BOLT		02
18E	0511017302	FLAT WASHER		02
18F	0503011336	1/2" HEX SELF ADJUSTING NUT		02
18G	0503030093	TRACTION SPRING		01
18H	0503010004	1890 GREASE FITTING		01
19	0511015837	5/8" X 2" BOLT		01
20	0503012659	2050 CHAIN X 65 LINK + MENDING		01
21	0503031687	2.3" X 5.55" COMPRESSION SPRING		01
22	0501053044	STUB SHAFT & HUB ASSY	8	01
23	0503060094	WHEEL AND TIRE ASSY		01

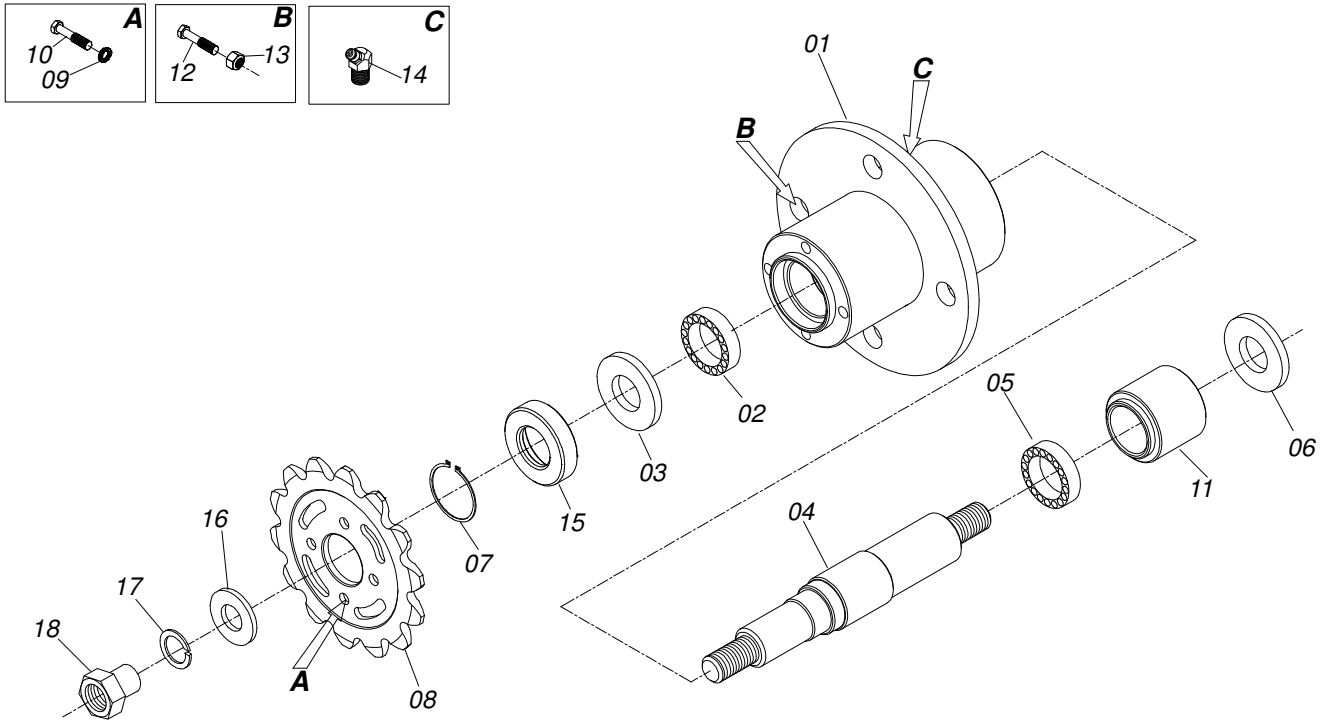


PHT3/SUPREMA
CARRYING-WHEELS DRAG

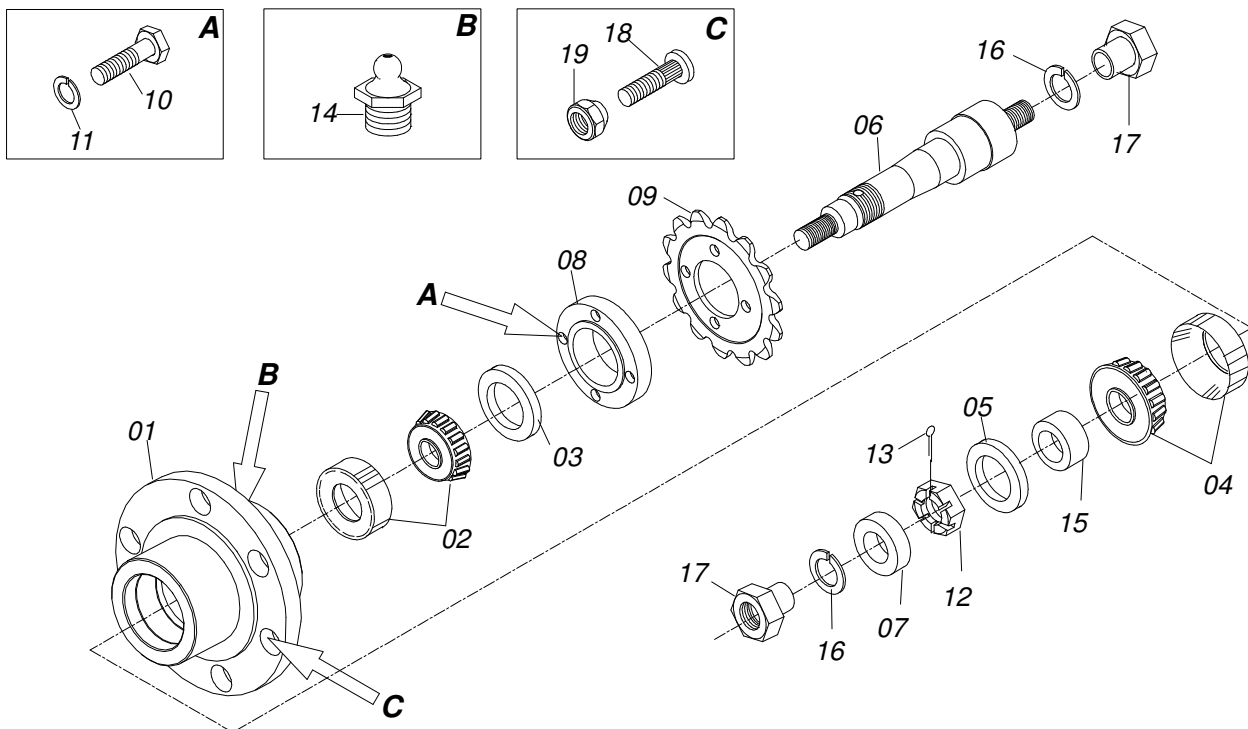
Item	Code	Description	See page	QT
23A	0503010065	CANVAS TIRE		01
23B	0503010068	6.00 X 16 INNER TIRE		01
23C	0503010894	0.2"X0.6"X4.6"X6F0.6"X6" WHEEL		01
24	0501049265	LH TRANSMISSION DRIVING ASSY	9	01
25	0531012677	RATCHET DISMANTLE GUIDE		01
26	0503010751	C3/8" X 1.1/4" HEX BOLT G.5		02
27	0501013518	FLAT WASHER		02
28	0503010025	3/8 SPRING WASHER		02
29	0503010026	3/8" NUT		02
30	0511063216	ASSEMBLE AND DISASSEMBLE RATCHET		01
31	0503030198	0.6" X 2.4" X 0.1" EXTENSION SPRING		01
32	0501018466	FLAT WASHER		03
33	0511063213	RATCHET DISARMAMENT SUPPORT		01
34	0511015098	FLAT WASHER		01
35	0511061299	LARGER ARM DISARMENT		01
36	0511061300	SMALLER ARM DISARMENT		01
37	0501010984	FLAT WASHER		04
38	0503010140	1/8" X 3/4" COTTERPIN		04
39	0531012770	CARRYING WHEELS SPRING GUIDE		01
40	0503010019	1/2" SPRING WASHER		01



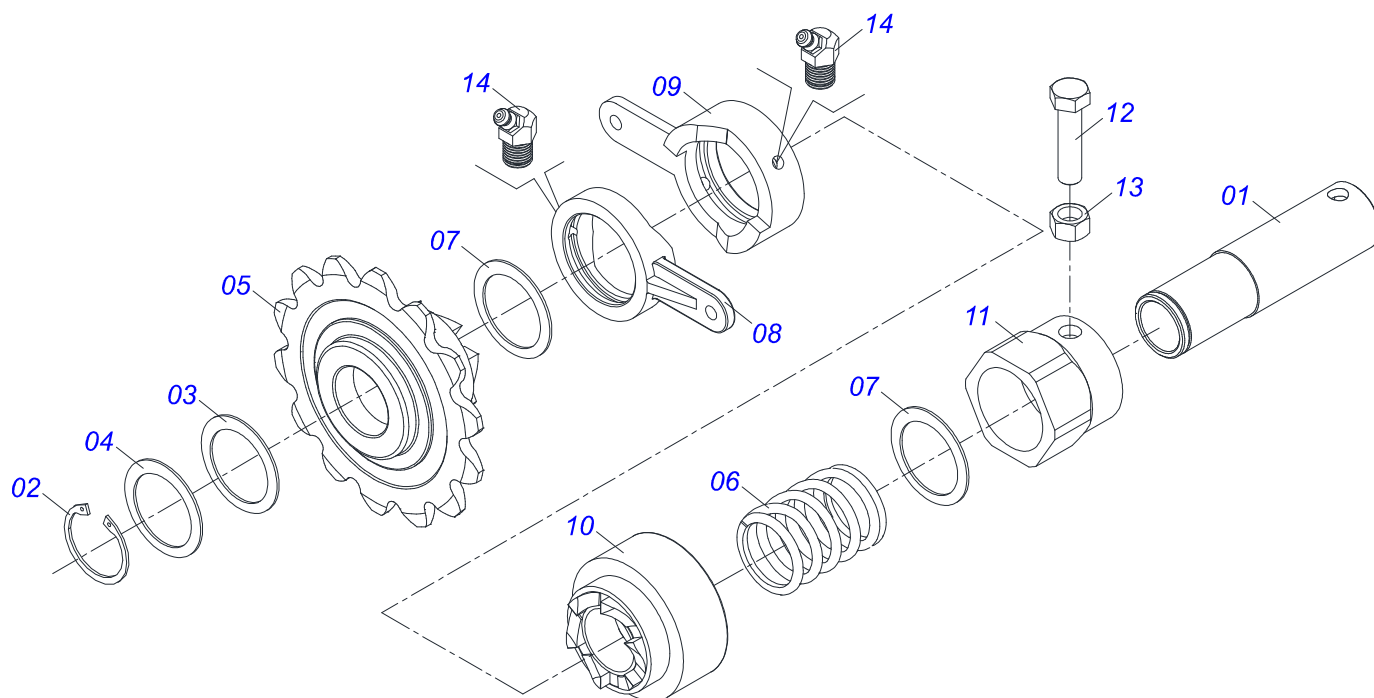
Item	Code	Description	See page	QT
01	0511061944	3.4" X 7.01" CYLINDER CASE		01
02	0511062917	2" X 9.06" TURNBUCLE		01
03	0502010761	MOBILE COVER		01
04	0502010840	2" X 3.4" RING SUPPORT		01
05	0503010039	D-2000 SCRAPER RING		01
06	0503010991	PACKING 1870-2000-375-B		01
07	0503010952	W2-2250-500 PK RING G.E		01
08	0503011060	8-336 BACK-UP RING		01
09	0503010976	2-336 N 3006-9B O'RING		01
10	0503010345	2-218 N 3006-9B O'RING		01
11	0502010844	2.0" X 3.3" PISTON		01
12	0503010170	PACKING 3120 2750		02
13	0503010948	W4-3346-590 PK RING G.E		01
14	0503010063	1" SELF-ALIGNING NUT		01
15	0501031553	HYDRAULIC CYLINDER REPAIR KIT		01



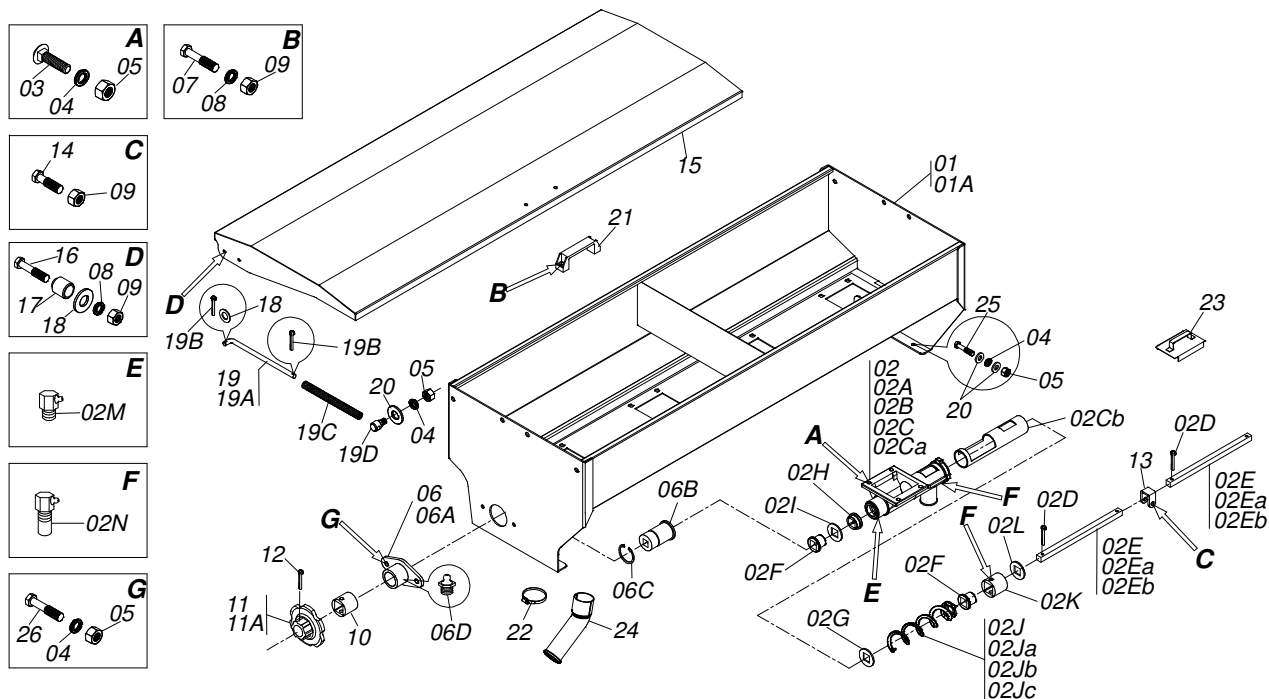
Item	Code	Description	See page	QT
01	0511061508	CARRYING WHEEL HUB		01
02	0503010276	6206 BALL BEARING		01
03	0503010268	00262-B SEAL		01
04	0521016792	CARRYING WHEEL AXLE		01
05	0503010312	6207 BALL BEARING		01
06	0503010528	SEAL # 00838-B		01
07	0503010370	502072 CLAMPING RING (FOR AXLE)		01
08	0521016735	14Z X P 1.25" GEAR		01
09	0503010025	3/8 SPRING WASHER		04
10	0503010256	3/8" X 3/4" BOLT		04
11	0521016791	1.38" X 2.08" X 1.93" SLEEVE		01
12	0503011063	9/16" X 1-1/2" BOLT		04
13	0503010035	9/16" CONIC NUT		04
14	0503010003	1845 GREASE FITTING		01
15	0521017566	0.8" X 1.5" X 0.39" SLEEVE		01
16	0511015346	FLAT WASHER		02
17	0503011438	SPRING WASHER		02
18	0521013510	3/4" NUT		02



Item	Code	Description	See page	QT
01	0502020660	CARRYING WHEEL HUB		01
02	0503010016	BEARING LM		01
03	0503010278	SEAL		01
04	0503010022	BEARING LM		01
05	0503010671	SEAL 02038-BRG		01
06	0521019533	CARRYING WHEEL AXLE		01
07	0521019535	2" X 1.12" X 0.59" SLEEVE		01
08	0521019534	PROTRACTOR HUB		01
09	0521019556	14Z P 1.2" RH 2.36" GEAR		01
10	0503010849	3/8" X 1-1/2" BOLT		04
11	0503011443	SPRING WASHER		04
12	0503011052	1.1/4" X 0.77" CASTLE NUT		01
13	0503010010	1/4" X 2.1/2" COTTERPIN		01
14	0503010002	1800 GREASE FITTING		01
15	0521010491	SLEEVE SPACER		01
16	0503011438	SPRING WASHER		02
17	0521013510	3/4" NUT		02
18	0501010127	9/16" X 1-7/8" LUG BOLT		06
19	0503013001	9/16" CONICAL NUT		06



Item	Code	Description	See page	QT
01	0521017590	GUIDE AXLE		01
02	0503010542	501045 CLAMPING RING (FOR AXLE)		01
03	0521017593	FLAT WASHER		01
04	0501019735	FLAT WASHER		01
05	0502011331	LH 14Z P 1.25" GEAR WITH DRAGGER		01
06	0503030553	2.3"X 2.5"X 0.2" COMPRESSION SPRING		01
07	0501019734	FLAT WASHER		02
08	0502010720	RIGHT CAM, SMALLER		01
09	0502010721	LEFT CAM, LARGER		01
10	0502011995	LH DRIVING AXLE FOLLOWER		01
11	0502011996	SLLEVE FIXER		01
12	0503010395	1/2" X 1-1/4" BOLT		01
13	0503010060	1/2" NUT		01
14	0503010003	1845 GREASE FITTING		02



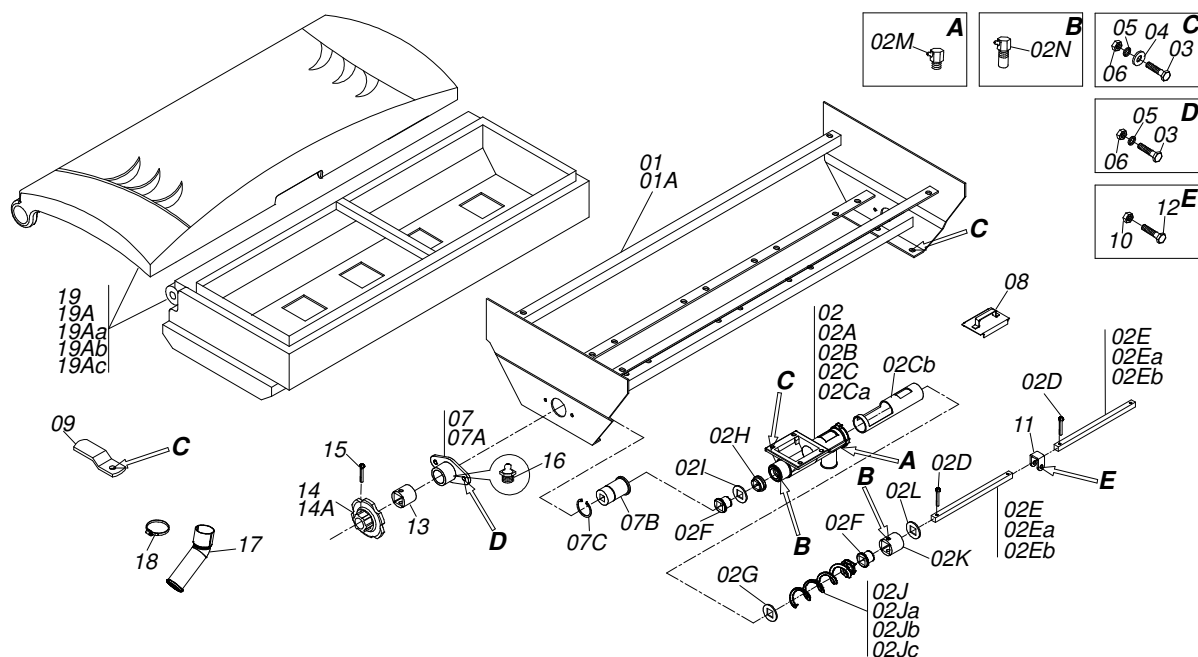
Item	Code	Description	See page	QT
01	0511061274	RIGHT BOX FERTILIZER		01
01A	0511061275	LH BOX FERTILIZER		01
02	0501050273	LH FERTILIZER METERING		03
02A	0501050272	DISTRIBUTOR OF RIGHT FERTILIZER		03
02B	0501052636	LH FERTILIZER METERING		01
02C	0501052637	RIGHT DISTRIBUTOR FERTILIZER		01
02Ca	0501110120	FERTILIZER DISTRIBUTOR BODY		08
02Cb	0511013789	FERTILIZER TUBE		08
02D	0503010571	1/4" X 1.1/2 COTTERPIN		16
02E	0521016736	3/4" X 23.27" SQUARE SHAFT		01
02Ea	0501017391	3/4" X 14.3" SQUARE SHAFT		06
02Eb	0521016737	3/4" X 18.7" SQUARE SHAFT		01
02F	0503030275	AGRICULTURAL BEARING		16
02G	0501013774	GREASE SEAL		08
02H	0503030303	SUPPORT WASHER		08
02I	0501010637	FLAT WASHER		08
02J	0503031164	RIGHT HELICAL CONDUTOR		04
02Ja	0503031165	LEFT HELICAL CONDUTOR		04
02Jb	0503031159	RIGHT HELICAL CONDUTOR		04
02Jc	0503031166	LEFT CONDUTOR		04
02K	0521010309	SLEEVE INTER		04
02L	0511017137	FLAT WASHER		08
02M	0503012826	CREASE FITTING		08
02N	0503011962	GREASE FITTING		08
03	0501011643	3/8 X 1"BOLT		32
04	0503010025	3/8 SPRING WASHER		32
05	0503010026	3/8" NUT		32
06	0501051366	BEARING ASSY		02
06A	0501110250	BEARING BOX		02
06B	0511019194	BEARING REEL		02
06C	0503010372	501050 CLAMPING RING (FOR AXLE)		02



FERTILIZER BOX ASSY (STEEL)

0909090104

Item	Code	Description	See page	QT
06D	0503010002	1800 GREASE FITTING		02
07	0503010363	5/16" X 1" BOLT		04
08	0503010179	SPRING WASHER		04
09	0503010337	5/16" NUT		16
10	0502011300	BUSHING GEAR		02
11	0502011317	10Z P 1.2" RH 1.3/8" GEAR		02
11A	0502011314	8Z P 1.1/4" RH1.4" GEAR		02
12	0503010010	1/4" X 2.1/2" COTTERPIN		02
13	0501017476	DRAGING		06
14	0503010397	5/16" X 1-3/4" BOLT		06
15	0511061276	FERTILIZER BOX COVER		02
16	0503010421	5/16" X 1-1/2" BOLT		04
17	0521011116	COVER PIVOT BUSHING		04
18	0501010694	FLAT WASHER		08
19	0501051927	COVER PIVOT SHAFT ASSY		04
19A	0521011120	COVER PIVOT SHAFT		04
19B	0503010140	1/8" X 3/4" COTTERPIN		08
19C	0503031329	COMPRES SPRING		04
19D	0521011117	PIVOT SPRING AXLE		04
20	0501010984	FLAT WASHER		20
21	0503011907	PMC 594-S NYLON LUG		02
22	0503010246	CLAMP		08
23	0501061485	GUTTER P/BOÎTE METALLIQUE		04
24	0503031050	CURVED CONDUCTOR		04
25	0503010751	C3/8" X 1.1/4" HEX BOLT G.5		08
26	0503010237	3/8" X 1" BOLT		04



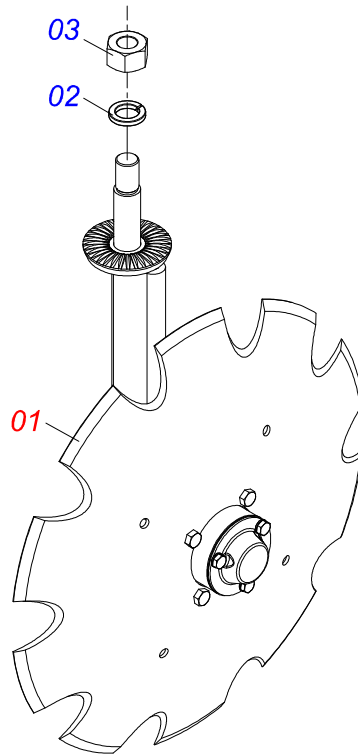
Item	Code	Description	See page	QT
01	0511062683	RH FERTILIZER BOX SUPPORT		01
01A	0511062684	LH FERTILIZER BOX SUPPORT		01
02	0501052423	LH FERTILIZER METERING		03
02A	0501052400	RIGHT FERTILIZER METERING		03
02B	0501053342	LH FERTILIZER METERING		01
02C	0501053341	RIGHT ABONO DISTRIBUTOR		01
02Ca	0501110082	FERTILIZER DISTRIBUTOR BODY		04
02Cb	0511013789	FERTILIZER TUBE		04
02D	0503010571	1/4" X 1.1/2 COTTERPIN		16
02E	0501017391	3/4" X 14.3" SQUARE SHAFT		06
02Ea	0521016737	3/4" X 18.7" SQUARE SHAFT		01
02Eb	0521016736	3/4" X 23.27" SQUARE SHAFT		01
02F	0503030275	AGRICULTURAL BEARING		16
02G	0501013774	GREASE SEAL		08
02H	0503030303	SUPPORT WASHER		08
02I	0511017137	FLAT WASHER		08
02J	0503031164	RIGHT HELICAL CONDUTOR		04
02Ja	0503031165	LEFT HELICAL CONDUTOR		04
02Jb	0503031159	RIGHT HELICAL CONDUTOR		04
02Jc	0503031166	LEFT CONDUTOR		04
02K	0521010309	SLEEVE INTER		04
02L	0511017137	FLAT WASHER		08
02M	0503012826	CREASE FITTING		08
02N	0503011962	GREASE FITTING		08
03	0503010751	C3/8" X 1.1/4" HEX BOLT G.5		48
04	0501010984	FLAT WASHER		48
05	0503010025	3/8 SPRING WASHER		40
06	0503010026	3/8" NUT		40
07	0501051366	BEARING ASSY		02
07A	0501110250	BEARING BOX		02
07B	0511019194	BEARING REEL		02



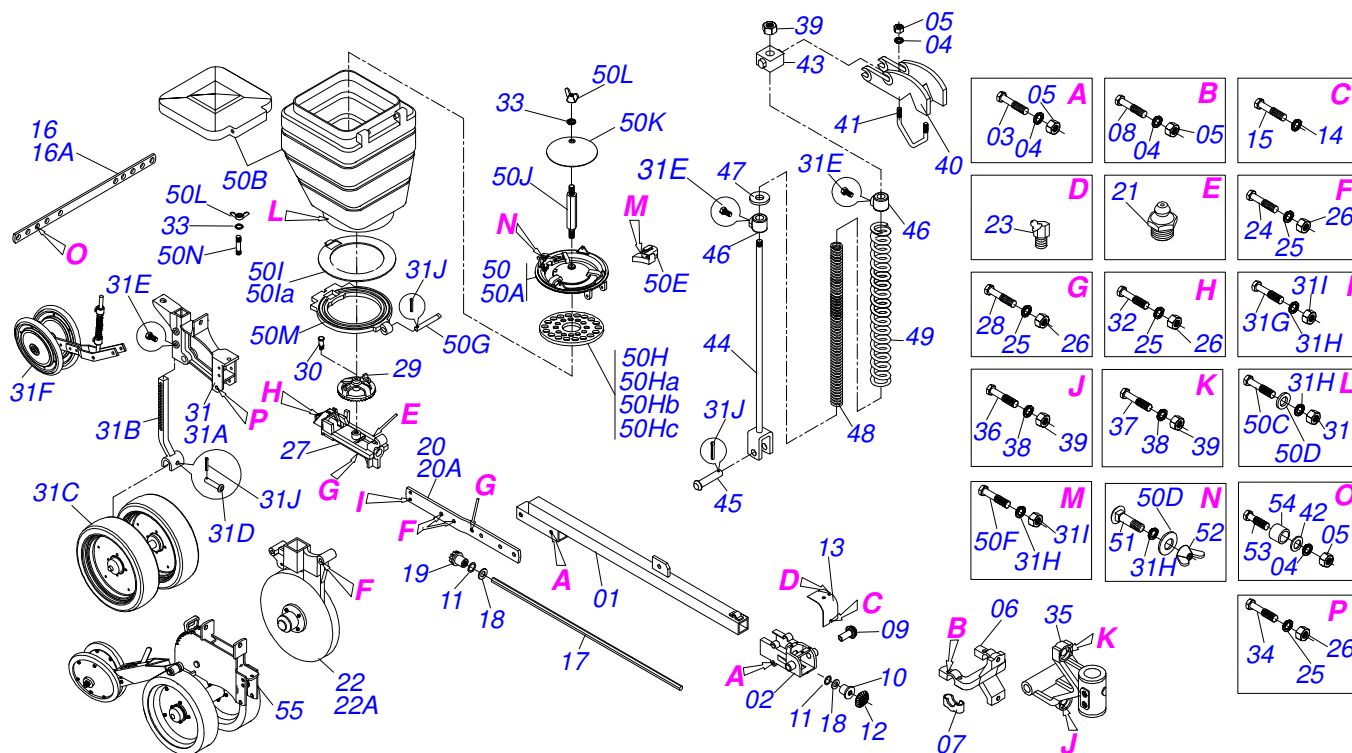
FERTILIZER BOX ASSY (PLASTIC)

0909090003

Item	Code	Description	See page	QT
07C	0503010372	501050 CLAMPING RING (FOR AXLE)		02
08	0501061485	GUTTER P/BOÎTE METALLIQUE		04
09	0531013297	FERTILIZER BOX FIXER		08
10	0503010337	5/16" NUT		12
11	0501017476	DRAGING		06
12	0503010397	5/16" X 1-3/4" BOLT		06
13	0502011300	BUSHING GEAR		02
14	0502011317	10Z P 1.2" RH 1.3/8" GEAR		02
14A	0502011314	8Z P 1.1/4" RH1.4" GEAR		02
15	0503010010	1/4" X 2.1/2" COTTERPIN		02
16	0503010002	1800 GREASE FITTING		02
17	0503031050	CURVED CONDUCTOR		04
18	0503010246	CLAMP		04
19	0503060513	RIGHT FERTILIZER BOX ASSY		01
19A	0503060514	LH FERTILIZER BOX ASSY		01
19Aa	0503031663	RIGHT FERTILIZER YELLOW BOX		01
19Ab	0503031664	LH FERTILIZER YELLOW BOX		01
19Ac	0503031665	FERTILIZER GREEN BOX		02



Item	Code	Description	See page	QT
01	0511053904	DISC LINE MARKER		01
02	0503010023	SPRING WASHER		01
03	0503010014	3/4" NUT		01

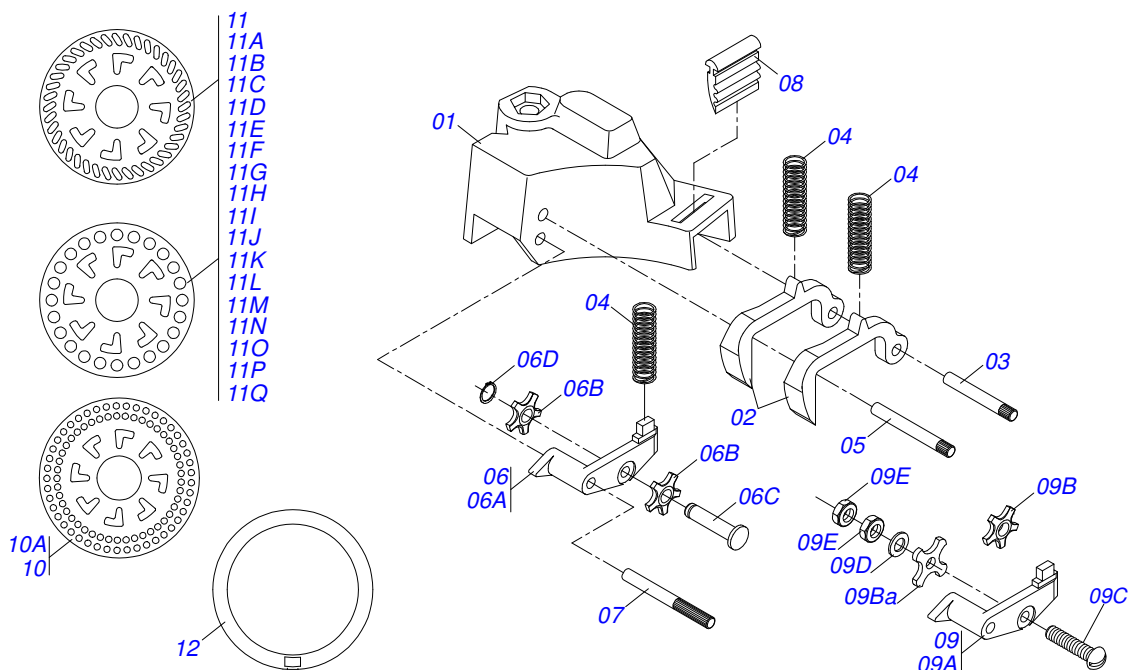


Item	Code	Description	See page	QT
00	0511040469	RH SEED ROW ASSY		01
00.	0511041238	RH SEED ROW ASSY		01
00..	0511040470	LH SEED ROW ASSY		01
00...	0511041239	LH SEED ROW ASSY		01
01	0511062640	SEED ROW ARM		01
02	0502011830	ARTICULACCION SUPPORT		01
03	0503010752	1/2" X 3.1/2" BOLT		04
04	0503010019	1/2" SPRING WASHER		11
05	0503010060	1/2" NUT		11
06	0502011561	BEARING SEMI		01
07	0502010426	UPPER BEARING SEMI		02
08	0503010479	1/2" X 3" BOLT		04
09	0502011400	18Z CONICAL GEAR		01
10	0502011296	1/2 HEX AXLE BEARING SLEEVE		01
11	0501013824	FLAT WASHER		03
12	0502011505	18Z CONICAL GEAR		01
13	0521018079	SEEP ROW DRAWBAR COVER		01
14	0503010143	SPRING WASHER		02
15	0503010298	1/4" X 1/2" BOLT		02
16	0501018652	CORN STABILIZER BAR		01
16A	0501013714	STABILIZER BAR		01
17	0521019531	1/2" X 33.54" HEX AXLE		01
18	0501013352	FLAT WASHER		02
19	0502011411	10Z CONICAL GEAR		01
20	0501013413	RIGHT SIDE BASE		01
20A	0501013414	LEFT SIDE BASE		01
21	0503010002	1800 GREASE FITTING		02
22	0501052978	RIGHT 15" X 15" DOUBLE DISC		01
22A	0501052979	LEFT 15" X 15" DOUBLE DISC		01
23	0503011099	GREASE FITTING		02
24	0503010723	7/16" X 4" BOLT		02



PHT3/SUPREMA
SEED ROW ASSY

Item	Code	Description	See page	QT
25	0503010180	7/16" SPRING WASHER		06
26	0503010244	7/16" NUT		06
27	0502011212	SEED BOX FIXING BASE		01
28	0503010674	7/16" X 3-1/4" BOLT		02
29	0502011418	40Z CONICAL GEAR		01
30	0511018700	AXLE		01
31	0501054017	PRESS WHEELS/DEPTH ASSY		01
31A	0502010705	DEPTH WHEEL SUPPORT		01
31B	0511061262	DEPTH REGULATOR ARM		01
31C	0501051867	DEPTH WHEEL	16	01
31D	0521010549	COUPLING SHAFT		01
31E	0501018535	1/2 X 1 BOLT		04
31F	0501050927	PRESS WHEELS ASSY	17	01
31G	0503010848	5/16" X 3.1/2" BOLT		02
31H	0503010179	SPRING WASHER		08
31I	0503010337	5/16" NUT		07
31J	0503010257	1/8" X 1" COTTERPIN		03
32	0503011195	7/16" X 1.3/4" BOLT		01
33	0503010025	3/8 SPRING WASHER		02
34	0503010705	7/16" X 3" BOLT		01
35	0502011567	FERTILIZER ROW SUPPORT		01
36	0503010762	5/8" X 3-12" BOLT		01
37	0501010163	5/8" X 4-1/2" BOLT		01
38	0503010027	SPRING WASHER		02
39	0503010013	5/8" NUT		03
40	0502011668	SUPPORT ADJUSTING SPRING		01
41	0521011771	1/2" X 4.02" X 4.41" FASTENER		01
42	0511017302	FLAT WASHER		01
43	0502011538	SPRING GUIDE		01
44	0511060376	SEEP SPRING GUIDE		01
45	0521010542	COUPLING SHAFT		01
46	0502040725	SPRING BUSHING LOCK GUIDE		02
47	0501013753	FLAT WASHER		01
48	0503031359	1"X15.75"X0.15" COMPRESSION SPRING		01
49	0503031360	1.68"X17.75"X0.3" COMPRESS SPRING		01
50	0501053347	SEED SYSTEM ASSY		01
50A	0502020324	SEED BOX SUPPORT		01
50B	0503031667	BOX YELLOW SEED WITH GREEN COVER		01
50C	0503010240	5/16" X 3/4" BOLT		04
50D	0501010694	FLAT WASHER		05
50E	0501051094	SEED DISTRIB ASSY WITH DOUB PULLEY		01
50F	0503010675	5/16" X 2.1/4" BOLT		01
50G	0521010536	0.3" X 3.8" COUPLING SHAFT		01
50H	0502020564	SOYBEAN DISC WITH 100 HOLES		01
50Ha	0502020565	SOYBEAN DISC WITH 90 HOLES		01
50Hb	0502020518	CORN DISC		01
50Hc	0502020519	CORN DISC		01
50I	0501013355	DISC SEAT		01
50Ia	0501013356	DISC SEAT		01
50J	0511013590	HEX STUD 3/8" X 3/8"		01
50K	0511013494	DEFLECTOR		01
50L	0503010209	3/8" UNC BUTTERFLY NUT		02
50M	0502010408	SEED DISC LOWER TRAIL		01
50N	0503030083	3/8" X 3/8" X 1.6" STUD		01
51	0501011752	5/16" X 3" BOLT		01
52	0503010499	5/16" UNC BUTTERFLY NUT		01
53	0503010740	1/2" X 2" BOLT		01
54	0521010505	13,50 X 19,00 X 21,50 SLEEVE		01
55	0501053855	PRESS WHEELS/DEPTH ASSY	23	01



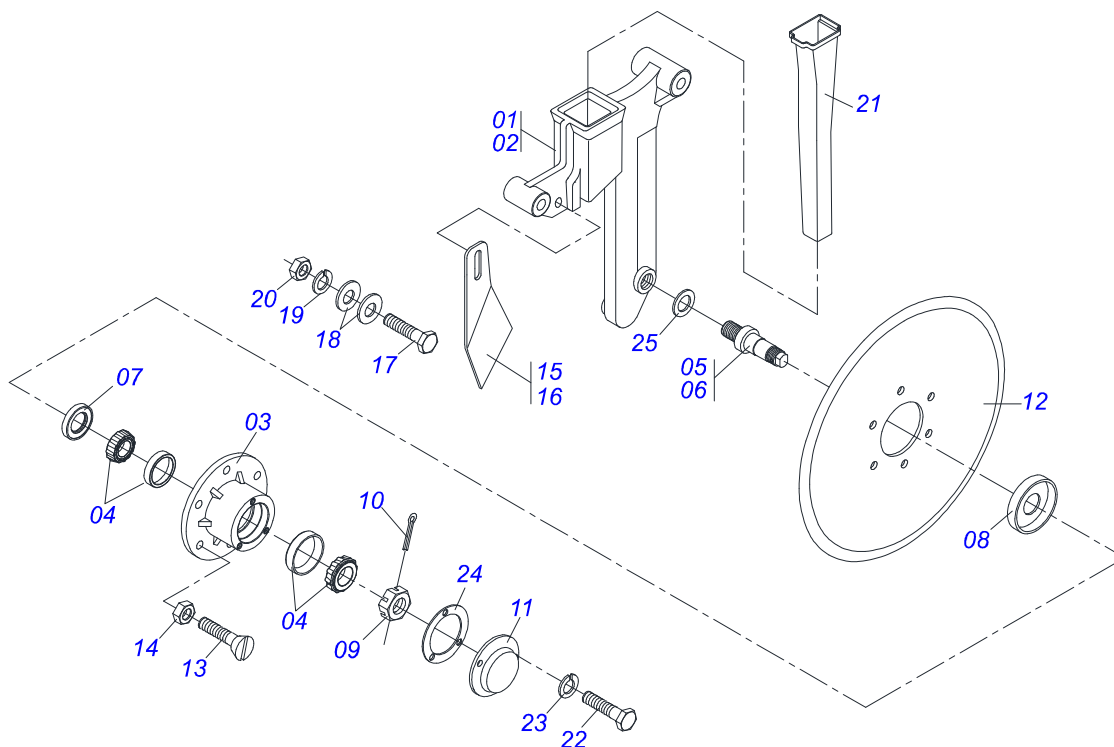
Item	Code	Description	See page	QT
00	0501051094	SEED DISTRIB ASSY WITH DOUB PULLEY	01	
00A	0501050077	SEED DISTRIB ASSY W/ SIMPLE PULLEY	01	
01	0503030381	SEED DISTRIBUTOR BOX	01	
02	0502010447	TRIGGER	02	
03	0501013467	KEY AXLE	01	
04	0503030378	0.4" X 1.1" X 0.03" SPRING	03	
05	0501013466	KEY LIMITER AXLE	01	
06	0501051119	DOUBLE PULLEY ROCKER'S	01	
06A	0503031129	DOUBLE PULLEY ROCKER ARM	01	
06B	0503031128	5Z PLASTIC DOUB PULLEY FOR SOYBEAN	02	
06C	0503031130	PIN OF THE PULLEY	01	
06D	0503011853	503050 CLAMPING RING (FOR HOLE)	01	
07	0501013468	ROCKER ARM AXLE, OF THE PULLEY	01	
08	0503030377	SCRAPER	01	
09	0501050120	LARGER WALKING BEAM ASSY	01	
09A	0503030379	LARGER ROCKER ARM	01	
09B	0502060001	PLASTIC PULLEY FOR MAIZE	01	
09Ba	0503030558	PLASTIC PULLEY FOR MAIZE	01	
09C	0503010803	3/16" X 3/4" BOLT	01	
09D	0503010669	FLAT WASHER	01	
09E	0503010667	3/16" NUT	02	
10	0502020584	BEAN SEED DISC 64 HOLE OBLONG	01	
10A	0502020585	COTTON SEED DISC 64 HOLE OBLONG	01	
11	0502020351	CORN SEED DISC 24 HOLE	01	
11A	0502020366	CORN SEED DISC 24 HOLE	01	
11B	0502020331	BEAN SEED DISC 26 HOLE OBLONG	01	
11C	0502020408	BEAN SEED DISC 38 HOLE OBLONG	01	
11D	0502020353	SORGO BEET SEED DISC 40 HOLE	01	
11E	0502020346	RICE SEED DISC 40 OBLONG	01	
11F	0502020560	SUNFLOWER SEED DISC 28 OBLONG	01	
11G	0502020554	SUNFLOWER SEED DISC 28 OBLONG	01	



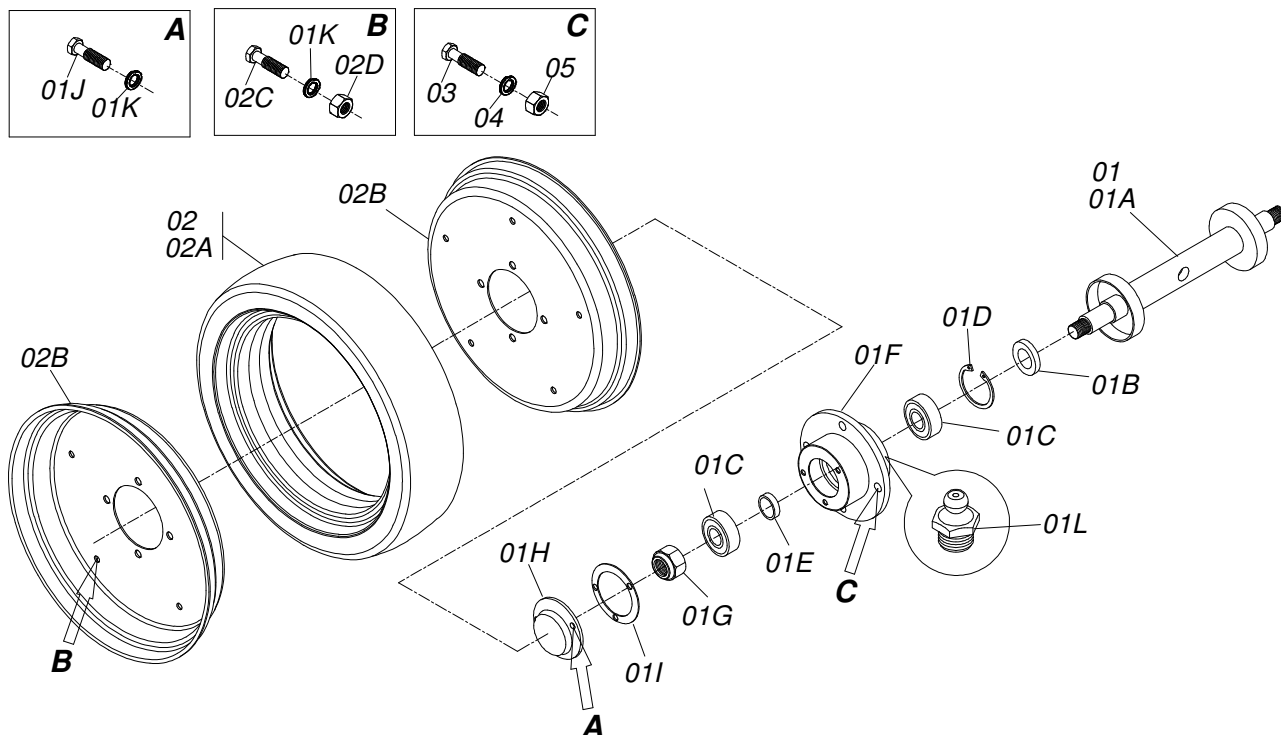
PHT3/SUPREMA
SEED DISTRIBUTOR ASSY

Page 14
0909090134

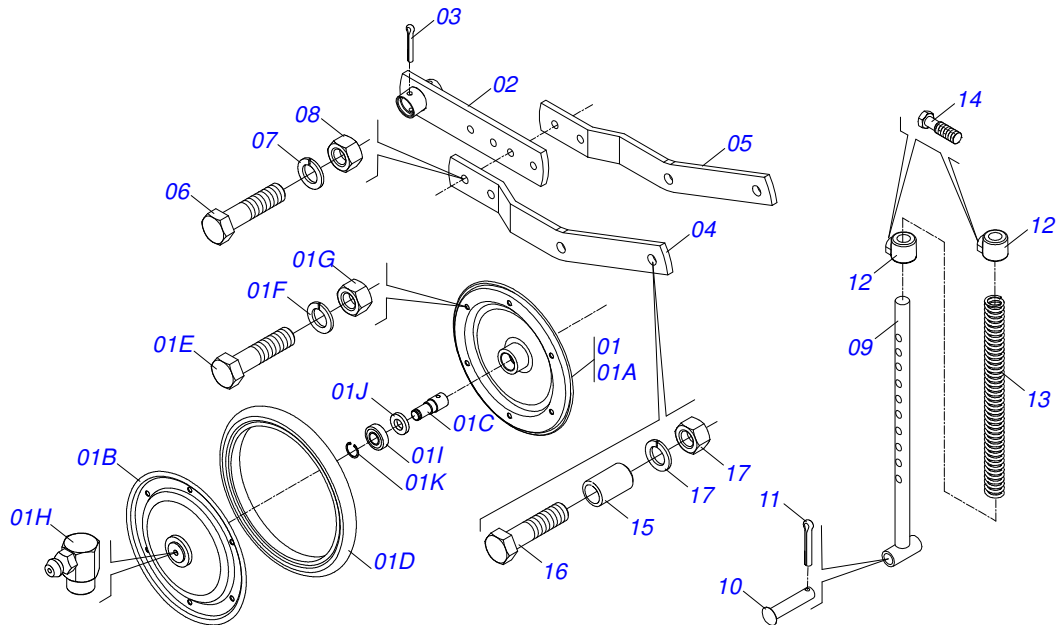
Item	Code	Description	See page	QT
11H	0502020340	DISC WITHOUT HOLE		01
11I	0502020367	DISC WITHOUT HOLE		01
11J	0502020328	SOYBEAN SEED DISC 34 OBLONG		01
11K	0503031678	DISC WITHOUT HOLE		01
11L	0502020327	DISC WITHOUT HOLE		01
11M	0503031677	DISC WITHOUT HOLE		01
11N	0502020583	PEANUT SEED DISC 20		01
11O	0502020419	COTTON SEED DELINTED 40		01
11P	0502020407	BEAN SEED DISC		01
11Q	0502020333	BEAN SEED DISC		01
12	0511017897	DISC SEAT		01



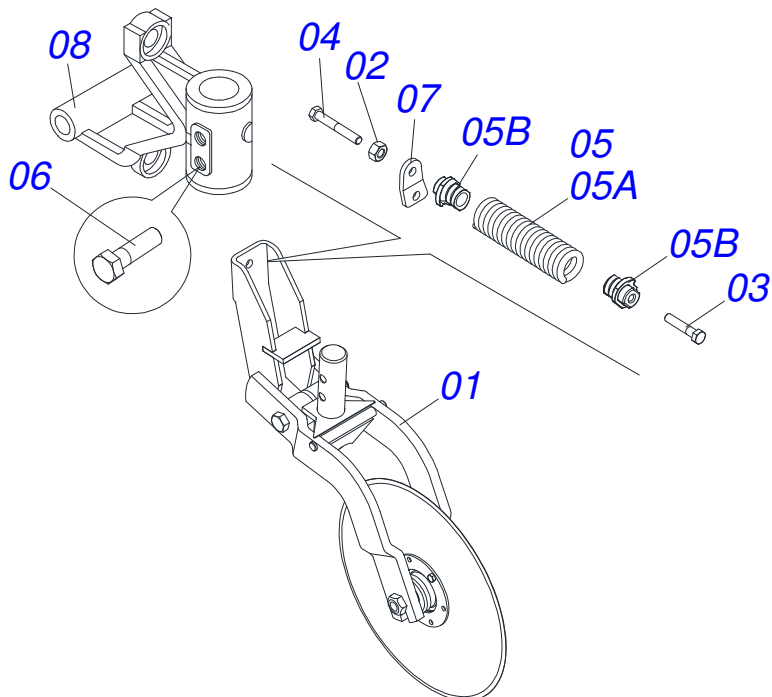
Item	Code	Description	See page	QT
00	0501052978	RIGHT 15" X 15" DOUBLE DISC		01
00.	0501052979	LEFT 15" X 15" DOUBLE DISC		01
01	0502011184	15" X 15" DOUBLE DISC SUPPORT		01
02	0502011183	15"X15" LW SEED UNAL DOUB-DISC SUPP		01
03	0502011930	DOUBLE DISC COULTER BOX		02
04	0503010598	30204 BALL BEARING		04
05	0521019154	RIGHT DOUB DISC HUB		01
06	0521019148	LEFT DOUBLE DISC HUB		01
07	0503011112	SEAL 02376-BRG		02
08	0511011927	DUST CLOAK		02
09	0503030282	3/4" CASTLE NUT		02
10	0503010257	1/8" X 1" COTTERPIN		02
11	0521019178	COVER DEPTH		02
12	0603022042	13" X 0.12" PLAIN COULTER BLADE		02
13	0503010546	5/16" X 7/8" BOLT		12
14	0503010337	5/16" NUT		12
15	0501017541	RH DOUBLE DISC SCRAPER		01
16	0501017542	LH DOUBLE DISC SCRAPER		01
17	0503010751	C3/8" X 1.1/4" HEX BOLT G.5		01
18	0501010984	FLAT WASHER		02
19	0503010025	3/8 SPRING WASHER		01
20	0503010026	3/8" NUT		01
21	0503030482	SEED SOCKET		01
22	0503013758	1/4" X 1-1/2" BOLT		06
23	0503010143	SPRING WASHER		06
24	0503030757	2.9" X 2" X 0.02" JOINT		02
25	0511015098	FLAT WASHER		02



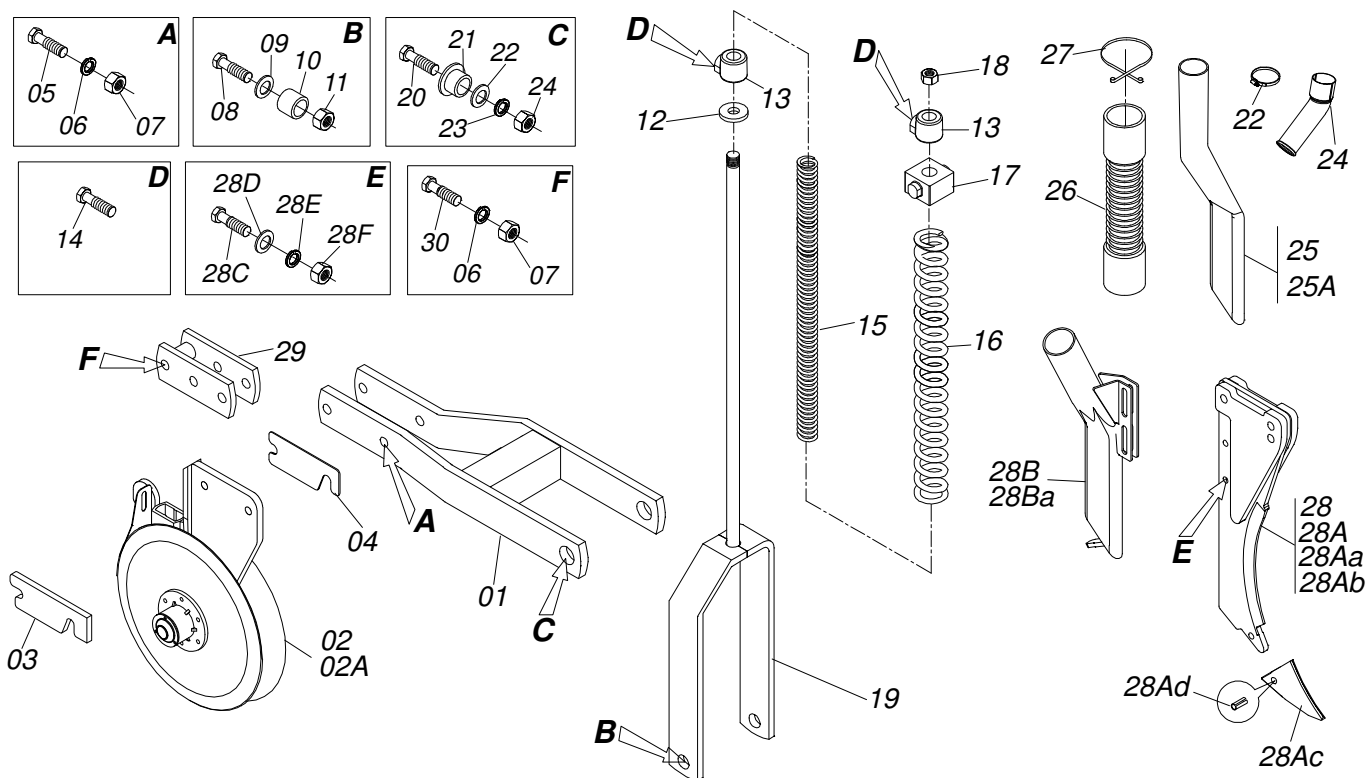
Item	Code	Description	See page	QT
01	0501051869	DEPTH WHEEL AXLE WITH HUB		01
01A	0501069401	DEPTH WHEEL AXLE		01
01B	0503010689	SEAL 00763-BR		02
01C	0503010269	6204 BALL BEARING		04
01D	0503011105	SEAL RING		02
01E	0521010489	SLEEVE SPACER		02
01F	0502011907	DEPTH CONTROL WHEEL HUB		02
01G	0503010878	5/8" SELF ALIGNING NUT		02
01H	0521019178	COVER DEPTH		02
01I	0503030757	2.9" X 2" X 0.02" JOINT		02
01J	0503010519	1/4" X 5/8" BOLT		06
01K	0503010143	SPRING WASHER		16
01L	0503010691	1/4" GREASE FITTING		02
02	0501052538	DEPTH BAND WITH ARMS		02
02A	0503030551	DEPTH CONTROL WHEEL RUBBER BAND		02
02B	0521010832	RIM FLANGE		04
02C	0503010298	1/4" X 1/2" BOLT		10
02D	0503010144	1/4" NUT		10
03	0503010178	5/16" X 7/8" BOLT		08
04	0503010179	SPRING WASHER		08
05	0503010337	5/16" NUT		08



Item	Code	Description	See page	QT
00	0501050927	PRESS WHEELS ASSY	17	01
01	0501050882	PRESS WHEEL ASSY		02
01A	0501068827	PRESS RIM SEMI		02
01B	0501068828	PRESS RIM SEMI		02
01C	0511017891	V PRESS WHEEL AXLE		02
01D	0503031421	DEPTH CONTROL WHEEL RUBBER BAND		02
01E	0503010295	5/16" X 5/8" BOLT		12
01F	0503010179	SPRING WASHER		12
01G	0503010337	5/16" NUT		12
01H	0503010004	1890 GREASE FITTING		02
01I	0503011763	6203 BALL BEARING		04
01J	0503010272	SEAL 00715-BA		02
01K	0503011166	501017 CLAMPING RING (FOR AXLE)		02
02	0501064232	PRESS WHEELS FIXER ASSY		01
03	0503010571	1/4" X 1.1/2 COTTERPIN		02
04	0501013798	LEFT ARM		01
05	0501013799	RIGHT ARM		01
06	0503010849	3/8" X 1-1/2" BOLT		02
07	0503010025	3/8 SPRING WASHER		02
08	0503010026	3/8" NUT		02
09	0501069979	SPRING REGULATOR		01
10	0521013310	0.5" X 3" COUPLING SHAFT		01
11	0503010300	5/32" X 1" COTTERPIN		01
12	0502040725	SPRING BUSHING LOCK GUIDE		02
13	0503030399	1"X5.1"X 0.2" COMPRESSION SPRING		01
14	0501018535	1/2 X 1 BOLT		02
15	0521010512	0.5" X 0.7" X 1.6" SLEEVE INTER		01
16	0503010479	1/2" X 3" BOLT		01
17	0503010019	1/2" SPRING WASHER		01
18	0503011336	1/2" HEX SELF ADJUSTING NUT		01



Item	Code	Description	See page	QT
01	0501056428	ROW 16 BLADE DISC ASSY		01
02	0503010060	1/2" NUT		01
03	0503011264	1/2" X 2-1/2" BOLT		01
04	0503013329	1/2" UNC X 4-3/4" BOLT		01
05	0511057192	EXTENSION SPRING		01
05A	0503031681	2.1" X 7.78" EXTENSION SPRING		01
05B	0502011031	SPRING UPPER HITCH		02
06	0511016156	5/8" X 1.1/2" BOLT		02
07	0531012869	SUPPORT SPRING		01
08	0502011567	FERTILIZER ROW SUPPORT		01



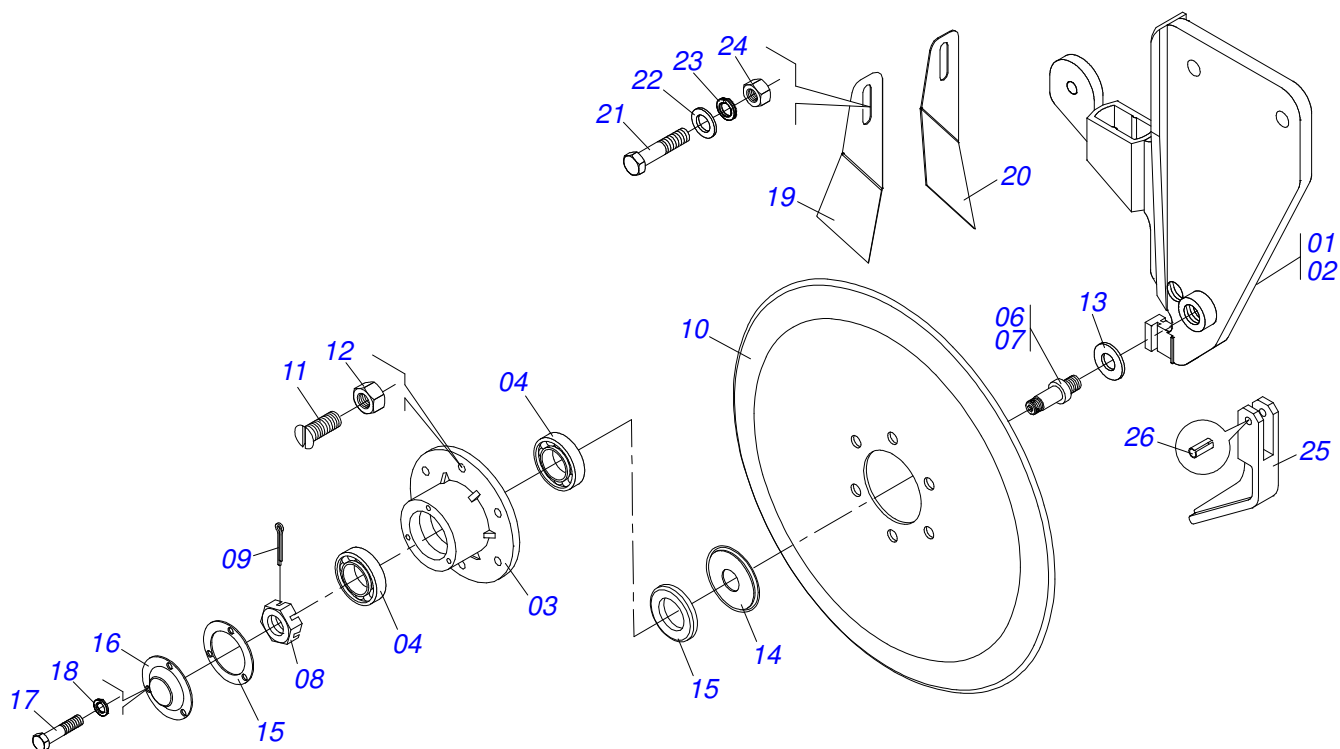
Item	Code	Description	See page	QT
00	0511040567	RH FERTILIZER ROW DDD ASSY		01
00.	0511040568	RH FERTILIZER ROW DDD ASSY		01
01	0511062695	FERTILIZER ARM ROW		01
02	0501052976	15 X 15 RIGHT FERT UNAL DOUB-DISC ASSY		01
02A	0501052977	DDD LEFT FERTILIZER 15 X 15 ASSY		01
03	0511018662	SPACING PLATE		06
04	0511017969	0.1" SPACING PLATE		02
05	0503010706	1/2" X 4.1/2" BOLT		01
06	0503010019	1/2" SPRING WASHER		03
07	0503010060	1/2" NUT		03
08	0503011411	1/2" X 5-1/2" BOLT		01
09	0511017302	FLAT WASHER		02
10	0521010445	0.53" X 0.75" X 0.45" SLEEVE		02
11	0503011336	1/2" HEX SELF ADJUSTING NUT		01
12	0501013753	FLAT WASHER		01
13	0502040725	SPRING BUSHING LOCK GUIDE		02
14	0501018535	1/2 X 1 BOLT		02
15	0503030609	1"X11.81"X 0.16" COMPRESSION SPRING		01
16	0503030917	1.6"X11.8"X 0.2" COMPRESSION SPRING		01
17	0502011538	SPRING GUIDE		01
18	0503010013	5/8" NUT		01
19	0511062702	FERTILIZER SPRING GUIDE		01
20	0501010066	3/4" X 9" BOLT		01
21	0521017831	SUPPORT SLEEVE SPACER		02
22	0511017232	FLAT WASHER		02
23	0503010023	SPRING WASHER		01
24	0503010014	3/4" NUT		01
25	0503030391	RIGHT FERTILIZER SOCKET		01
25A	0503030392	LEFT FERTILIZER SOCKET		01
26	0503030195	2" X 2" X 12.2" HOSE		01
27	0503031076	2" HOSE CLAMP		02



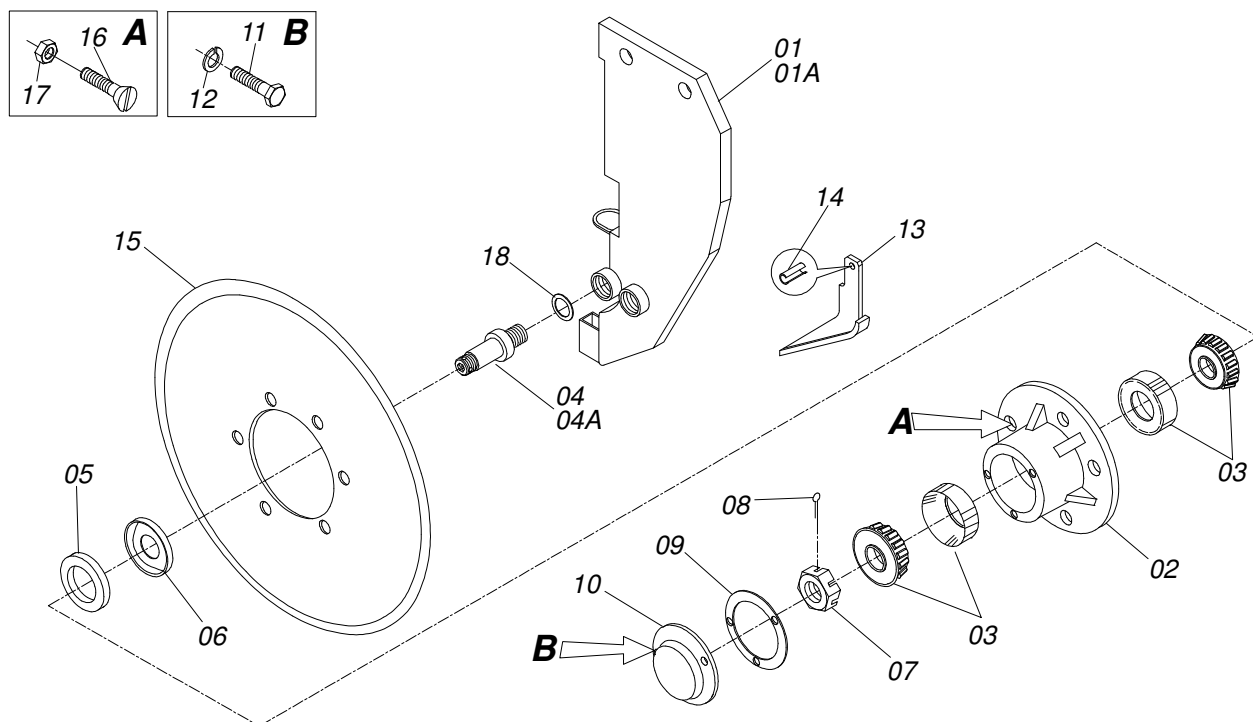
PHT3/SUPREMA
FERTILIZER ROW ASSY

Page 19
0909090028

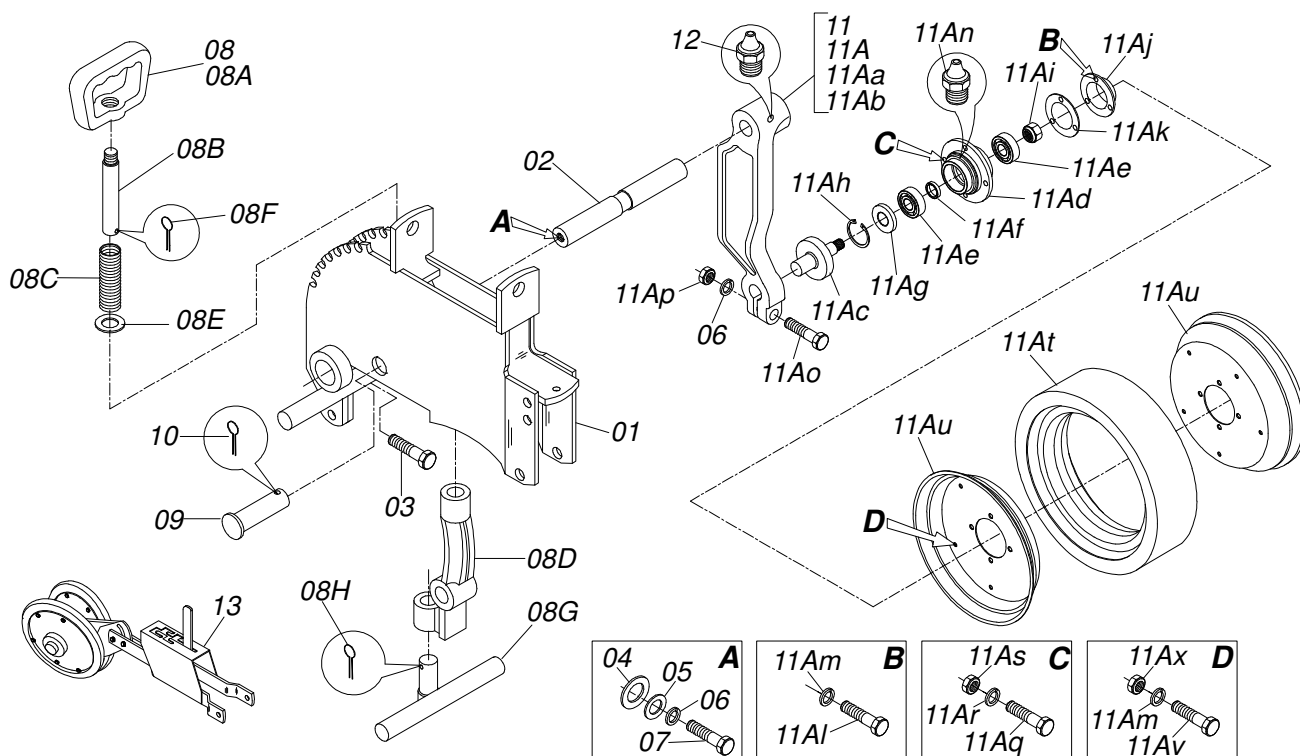
Item	Code	Description	See page	QT
28	0501052767	SCARIFIER SPINDLE		01
28A	0501052768	SCARIFIER SPINDLE		01
28Aa	0501110231	SCARIFIER HEAD WITH SPIKE 0061		01
28Ab	0511061768	FERTILIZER SCARIFIER SPINDLE		01
28Ac	0502070061	POINT SUBSOILER		01
28Ad	0503011373	0.4" X 1.1" SPRING PIN		01
28B	0511061769	FERTILIZER CONDUCTOR RIGHT		01
28Ba	0511061770	FERTILIZER CONDUCTOR LEFT		01
28C	0503010751	C3/8" X 1.1/4" HEX BOLT G.5		02
28D	0501010984	FLAT WASHER		04
28E	0503010025	3/8 SPRING WASHER		02
28F	0503010026	3/8" NUT		02
28G	0503031050	CURVED CONDUCTOR		01
28H	0503010246	CLAMP		01
29	0511063131	SCARIFIER SPINDLE FIXATION SUPPORT		01
30	0503010752	1/2" X 3.1/2" BOLT		01



Item	Code	Description	See page	DIR	ESQ
00	0501052976	15 X 15 RIGHT FERT UNAL DOUB-DISC ASSY		01	00
00A	0501052977	DDD LEFT FERTILIZER 15 X 15 ASSY		00	01
01	0502011160	15"X15" RIGHT DOUBLE DISC SUPPORT		01	00
02	0502011161	15"X15" LEFT DOUBLE DISC SUPPORT		00	01
03	0502011930	DOUBLE DISC COULTER BOX		02	02
04	0503010598	30204 BALL BEARING		04	04
05	0503011112	SEAL 02376-BRG		02	02
06	0521019154	RIGHT DOUB DISC HUB		01	01
07	0521019148	LEFT DOUBLE DISC HUB		01	01
08	0503030282	3/4" CASTLE NUT		02	02
09	0503010257	1/8" X 1" COTTERPIN		02	02
10	0603022042	13" X 0.12" PLAIN COULTER BLADE		02	02
11	0503010546	5/16" X 7/8" BOLT		12	12
12	0503010337	5/16" NUT		02	02
13	0511015098	FLAT WASHER		06	06
14	0511011927	DUST CLOAK		02	02
15	0503030757	2.9" X 2" X 0.02" JOINT		02	02
16	0521019178	COVER DEPTH		02	02
17	0503014729	1/4" UNF X 1/2" BOLT		06	06
18	0503011441	SPRING WASHER		06	06
19	0501017541	RH DOUBLE DISC SCRAPER		01	01
20	0501017542	LH DOUBLE DISC SCRAPER		01	01
21	0503010751	C3/8" X 1.1/4" HEX BOLT G.5		01	01
22	0501010984	FLAT WASHER		02	02
23	0503011443	SPRING WASHER		01	01
24	0503010026	3/8" NUT		01	01
25	0502070062	SCRAPER		01	01
26	0503011402	0.2" X 0.8" SPRING PIN		01	01



Item	Code	Description	See page	QT
00	0501052988	RIGHT 15" X 15" DOUBLE DISC		01
00A	0501052989	LH 15" X 15" DOUBLE DISC		01
01	0501068318	15"X15" RW SEED UNAL DOUB-DISC SUPP		01
01A	0501068319	15"X15" LW SEED UNAL DOUB-DISC SUPP		01
02	0502011930	DOUBLE DISC COULTER BOX		02
03	0503010598	30204 BALL BEARING		04
04	0521019154	RIGHT DOUB DISC HUB		01
04A	0521019148	LEFT DOUBLE DISC HUB		01
05	0503011112	SEAL 02376-BRG		02
06	0511011927	DUST CLOAK		02
07	0503030282	3/4" CASTLE NUT		02
08	0503010257	1/8" X 1" COTTERPIN		02
09	0503030757	2.9" X 2" X 0.02" JOINT		02
10	0521019178	COVER DEPTH		02
11	0503010519	1/4" X 5/8" BOLT		06
12	0503010143	SPRING WASHER		06
13	0501067170	UNALIGNED DISC SCRAPER		01
14	0503011402	0.2" X 0.8" SPRING PIN		01
15	0603022042	13" X 0.12" PLAIN COULTER BLADE		02
16	0503010546	5/16" X 7/8" BOLT		12
17	0503010337	5/16" NUT		12
18	0511015098	FLAT WASHER		02



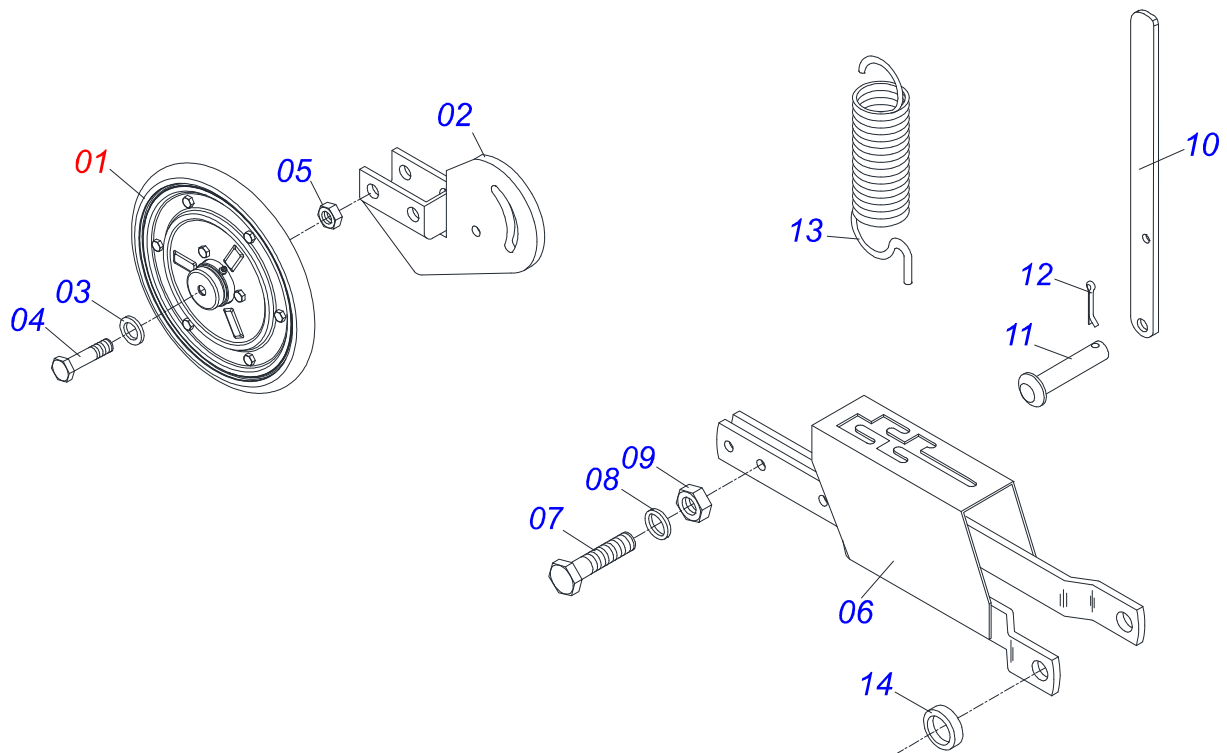
Item	Code	Description	See page	QT
01	0511061005	DEPTH CONTROL PRESS WHEELS		01
02	0511012244	DEPTH CONTROL WHEEL AXLE		01
03	0503010256	3/8" X 3/4" BOLT		01
04	0521015818	FLAT WASHER		04
05	0511017302	FLAT WASHER		02
06	0503010019	1/2" SPRING WASHER		03
07	0503010834	1/2 X 1 BOLT		02
08	0501052297	DEPTH WHEELS REGULATOR ASSY		01
08A	0502011882	5/8" UNF DEPTH CONTROL LEVER		01
08B	0521017264	5/8"UNF DEPTH CONTROL AXLE		01
08C	0503030975	0.9" X 1.5" X 0.1" SPRING		01
08D	0502011688	SEED SIST CONTROL DEPTH LEVER		01
08E	0511015976	FLAT WASHER		01
08F	0503010257	1/8" X 1" COTTERPIN		01
08G	0511060699	DEPTH WHEEL STOP		01
08H	0503010071	3/16" X 1" COTTERPIN		01
09	0521019093	0.6" X 2.7" PIVOT SHAFT		01
10	0503010778	1/8" X 1.1/2" COTTERPIN		01
11	0501050915	RIGHT DEPTH CONTROL WHEEL ASSY		01
11A	0501050916	LEFT DEPTH CONTROL WHEEL ASSY		01
11Aa	0502011699	RIGHT DEPTH WHEEL ARM		01
11Ab	0502011698	LEFT DEPTH WHEEL ARM		01
11Ac	0511060927	DEPTH CONTROL AXLE WITH DUST CLOAK		01
11Ad	0502011907	DEPTH CONTROL WHEEL HUB		01
11Ae	0503010269	6204 BALL BEARING		02
11Af	0521010489	SLEEVE SPACER		01
11Ag	0503010689	SEAL 00763-BR		01
11Ah	0503011105	SEAL RING		01
11Ai	0503010878	5/8" SELF ALIGNING NUT		01
11Aj	0521019178	COVER DEPTH		01
11Ak	0503030757	2.9" X 2" X 0.02" JOINT		01



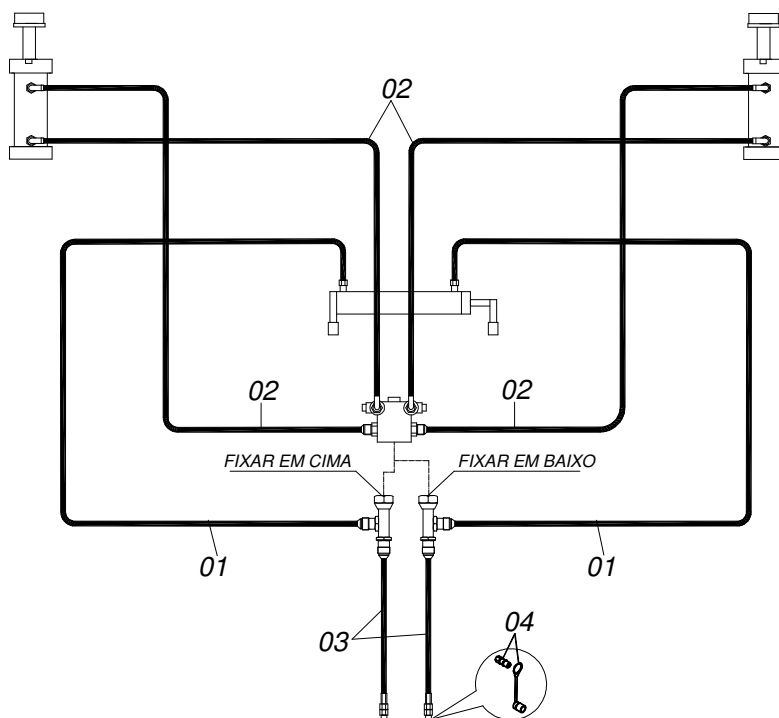
PHT3/SUPREMA
PRESS WHEELS/DEPTH ASSY

Page 23
0501053855

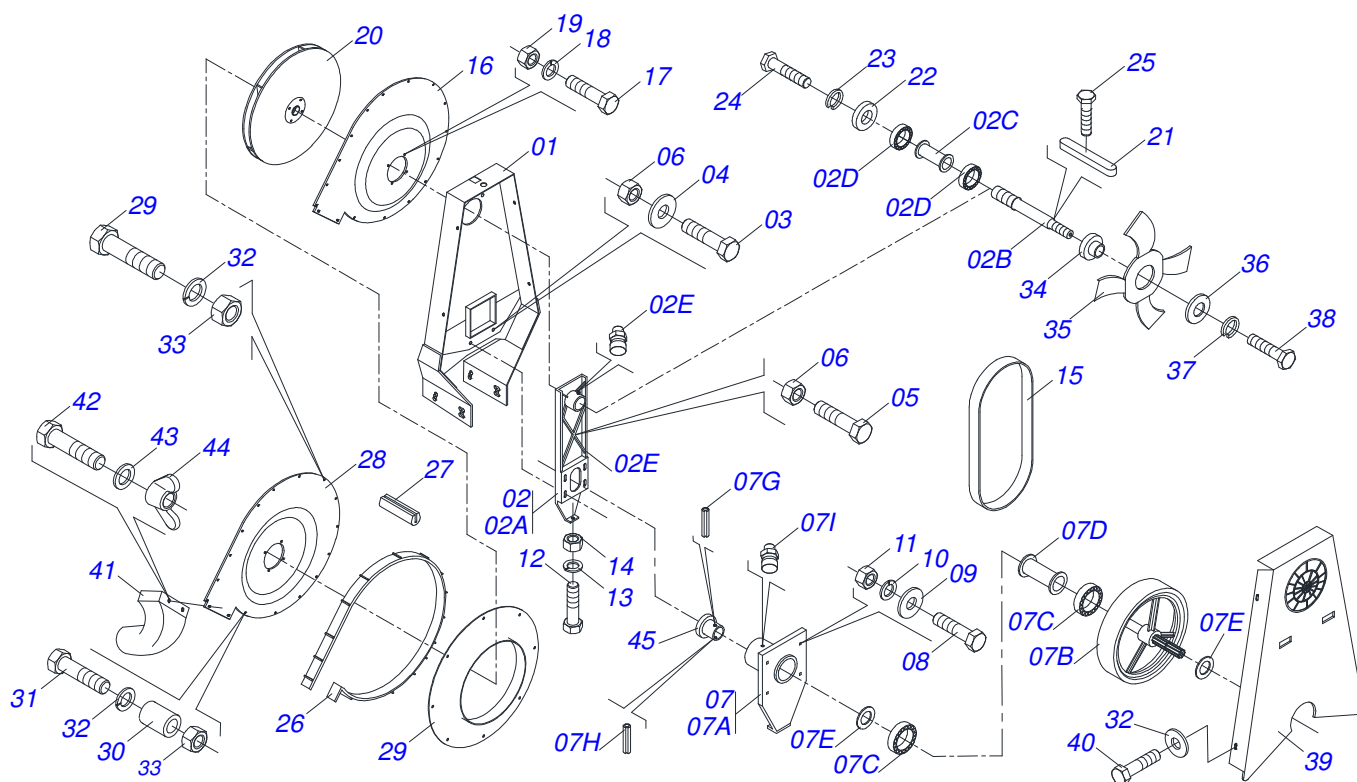
Item	Code	Description	See page	QT
11Al	0503010519	1/4" X 5/8" BOLT		03
11Am	0503010143	SPRING WASHER		08
11An	0503010691	1/4" GREASE FITTING		01
11Ao	0503010740	1/2" X 2" BOLT		01
11Ap	0503010060	1/2" NUT		01
11Aq	0503010178	5/16" X 7/8" BOLT		04
11Ar	0503010179	SPRING WASHER		04
11As	0503010337	5/16" NUT		04
11At	0503030551	DEPTH CONTROL WHEEL RUBBER BAND		01
11Au	0521010832	RIM FLANGE		02
11Av	0503010298	1/4" X 1/2" BOLT		05
11Ax	0503010144	1/4" NUT		05
12	0503010002	1800 GREASE FITTING		02
13	0501052935	PRESS WHEELS ASSY	24	01



Item	Code	Description	See page	QT
01	0501052908	COMPACTOR WHEEL WITH BEARING		02
02	0502011757	PRESS REGULATOR		01
03	0521014508	FLAT WASHER		10
04	0503010706	1/2" X 4.1/2" BOLT		02
05	0503011336	1/2" HEX SELF ADJUSTING NUT		02
06	0511060673	PRESS WHEELS REGULATOR		01
07	0503010849	3/8" X 1-1/2" BOLT		02
08	0503010025	3/8 SPRING WASHER		02
09	0503010026	3/8" NUT		02
10	0541016906	PRESS WHEELS REGULATOR BODY		01
11	0521010539	0.3" X 1.2" COUPLING SHAFT		01
12	0503010257	1/8" X 1" COTTERPIN		01
13	0503030805	1.6" X 6" X 0.2" TRACTION SPRING		01
14	0521010480	1" X 1.2" X 0.4" ARTICULAT SLEEVE		02



Item	Code	Description	See page	QT
01	0501080290	3/8" X 49.61" TR-TC HOSE		02
02	0501080402	TR-TC HOSE ASSY		04
03	0501080471	3/8" X 110.24" TR-TM HOSE ASSY		02
04	0501053834	MALE QUICK COUPLING AGRICULTURAL WITH COVER - 1/2 NPT		02



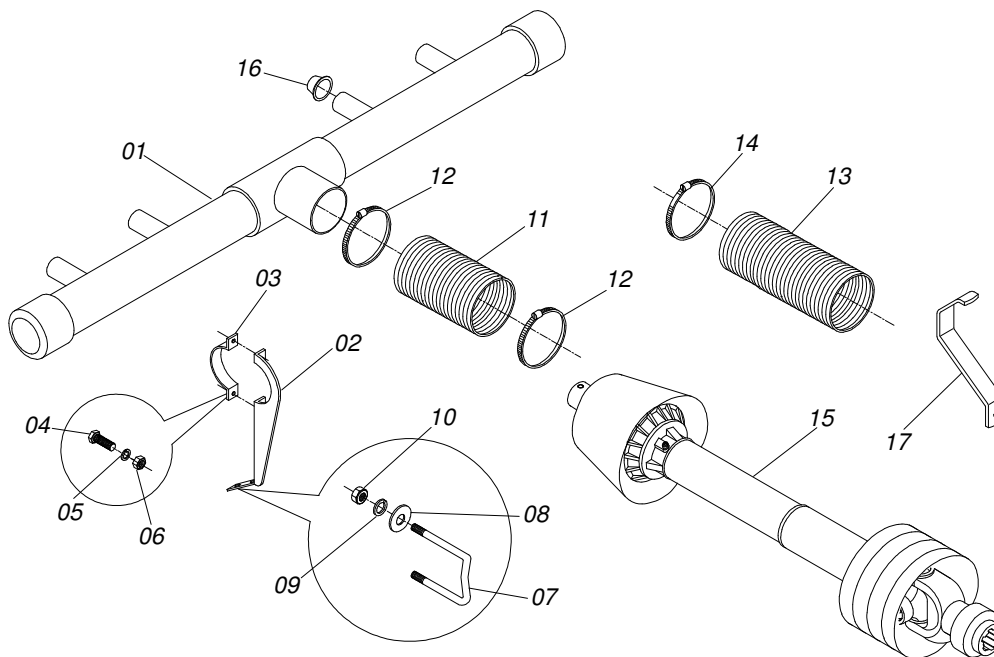
Item	Code	Description	See page	QT
00	0511040705	TURBINE ASSY FOR CARDAN	26	01
01	0511061094	TURBINE SUPPORT		01
02	0501053716	BEARING ASSY OF THE LARGER FAN		01
02A	0502012016	CHAIN TENSIONER SUPPOT		01
02B	0503012778	MIDDLE LARGER AXLE		01
02C	0531010881	INTERMEDIARY UPPER SLEEVE		01
02D	0503012689	6306 DDU BEARING		02
02E	0503010325	VCA-118 VALVE		02
03	0503010920	1/2" X 1.1/2" BOLT		02
04	0511017302	FLAT WASHER		02
05	0503010395	1/2" X 1-1/4" BOLT		02
06	0503011336	1/2" HEX SELF ADJUSTING NUT		04
07	0501053886	PULLEY ASSY WITH FREE ROT		01
07A	0502012020	PULLEY HOUSING BEARING		01
07B	0501053888	TURBINE PULLEY ASSY		01
07C	0503011081	6207 2RS BEARING		02
07D	0531014518	INTERMEDIARY LOWER BUSHING BEARING		01
07E	0531014519	FLAT WASHER		01
07F	0531014527	FLAT WASHER		01
07G	0503010301	0.3" X 1.8" SPRING PIN		01
07H	0503011855	0.2" X 1.8" SPRING PIN		01
07I	0503010325	VCA-118 VALVE		01
08	0501010711	1/2" X 1-5/8" BOLT		04
09	0521018517	FLAT WASHER		04
10	0503010019	1/2" SPRING WASHER		04
11	0503010020	1/2"NUT		04
12	0503013030	5/8" X 3.1/4" BOLT		01
13	0501012140	FLAT WASHER		01
14	0503010013	5/8" NUT		01
15	0503012780	LARGER TURBINE BELT		01
16	0521018282	REAR COVER BODY		01



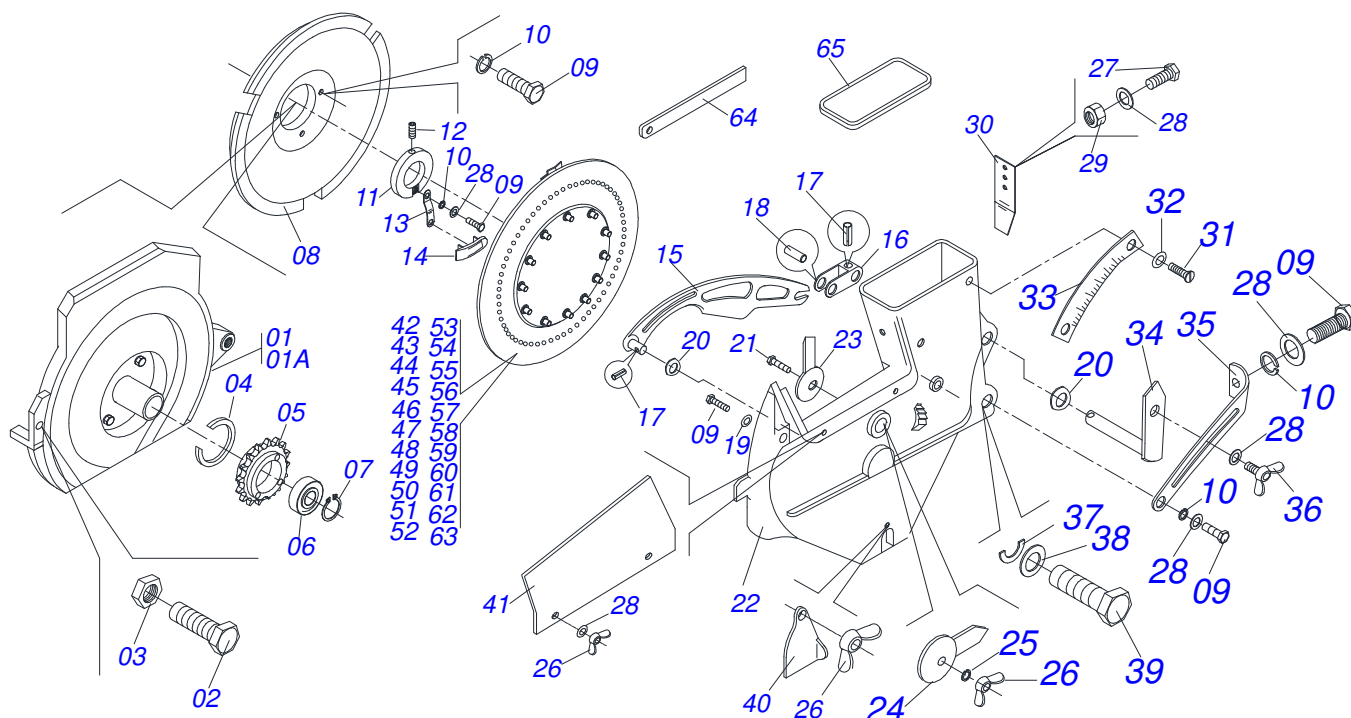
TURBINE ASSY FOR CARDAN

0511040705

Item	Code	Description	See page	QT
17	0503010751	C3/8" X 1.1/4" HEX BOLT G.5		04
18	0503010025	3/8 SPRING WASHER		04
19	0503010026	3/8" NUT		04
20	0511040440	17.3" MIDDLE FAN		01
21	0503011775	6 X 6 X 35 KEYWAY		01
22	0503011774	PULLEY		01
23	0503010179	SPRING WASHER		02
24	0503011257	M 8 X 1,25 X 30 BOLT		01
25	0503011807	M 8 X 1,25 X 10 BOLT		01
26	0501053721	RIBBON ASSY FOR COVER CLOSING		01
27	0503031776	TURBINE RIBBON SEAL		02
28	0501110372	FRONTAL COVER BODY CENTER		01
29	0503013031	1/4" X 3.1/4" BOLT		15
30	0521011316	0.4" X 0.5" X 0.6" SLEEVE		02
31	0503012721	1/4" X 4" BOLT		02
32	0511017303	FLAT WASHER		38
33	0503012880	1/4" UNC SELF ADJUSTING NUT		17
34	0531010771	WASHER GUIDE		01
35	0531010757	TURBINE FAN		01
36	0531010770	FLAT WASHER		01
37	0503010179	SPRING WASHER		01
38	0503011429	M 8 X 1,25 X 40 BOLT		01
39	0531012760	TURBINE REAR COVER		01
40	0503010298	1/4" X 1/2" BOLT		04
41	0501110233	TURBINE OUTPUT SOCKET		01
42	0503010848	5/16" X 3.1/2" BOLT		02
43	0501010694	FLAT WASHER		02
44	0503010499	5/16" UNC BUTTERFLY NUT		02
45	0531015571	CARDAN SLEEVE HITCH		01

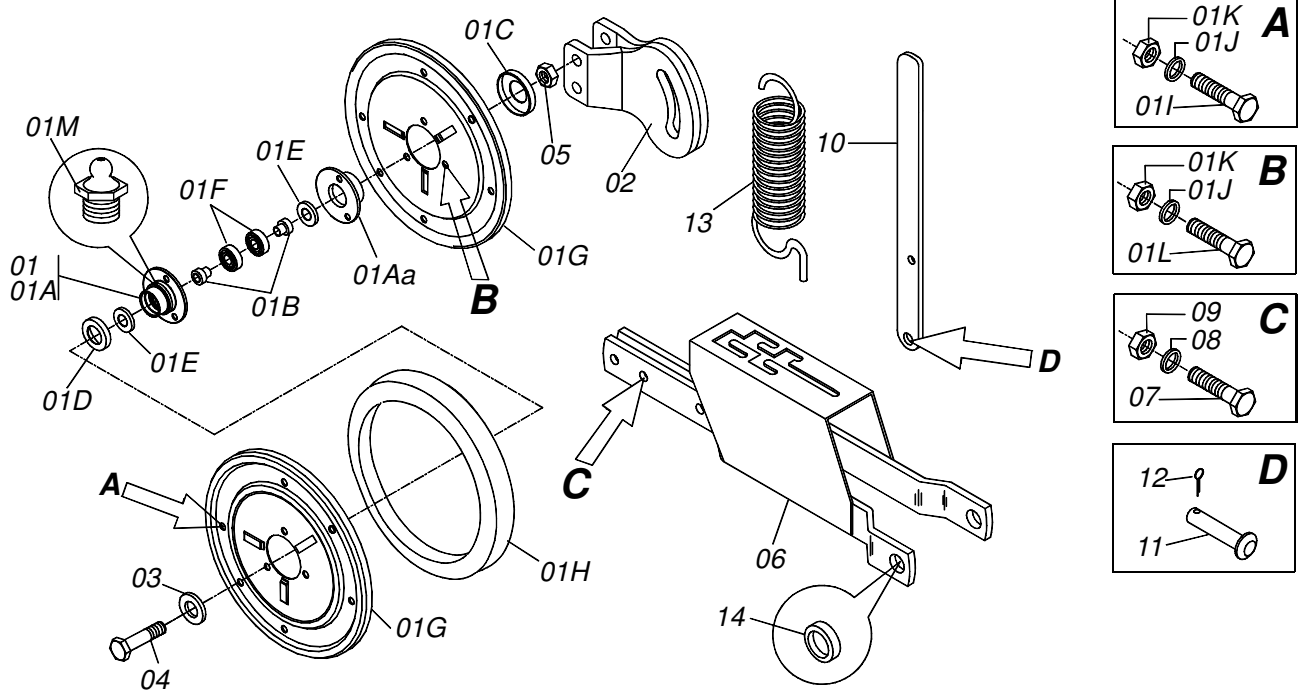


Item	Code	Description	See page	QT
01	0503031612	AIR DISTRIBUTOR		01
02	0511063893	SUPPORT AIR CONDUCTION ACTIVA		02
03	0521018402	AIR CONDUCTOR CLAMP		02
04	0503010371	5/16" X 1" BOLT		04
05	0503010179	SPRING WASHER		04
06	0503010337	5/16" NUT		04
07	0511010360	CLAMP		02
08	0511017302	FLAT WASHER		04
09	0503010019	1/2" SPRING WASHER		04
10	0503010060	1/2" NUT		04
11	0521012936	4" X 78.74" AIR CONDUCTOR		01
12	0503011372	102 TO 121 CLAMP		02
13	0521018063	4" X 118.11" AIR CONDUCTOR		01
14	0503012724	121 TO 140 CLAMP		01
15	0511041364	DRIVE SHAFT		01
16	0503031436	AIR DITRIBUTOR PUMP		04
17	0531015603	HOSE FIXATION SUPPORT		01

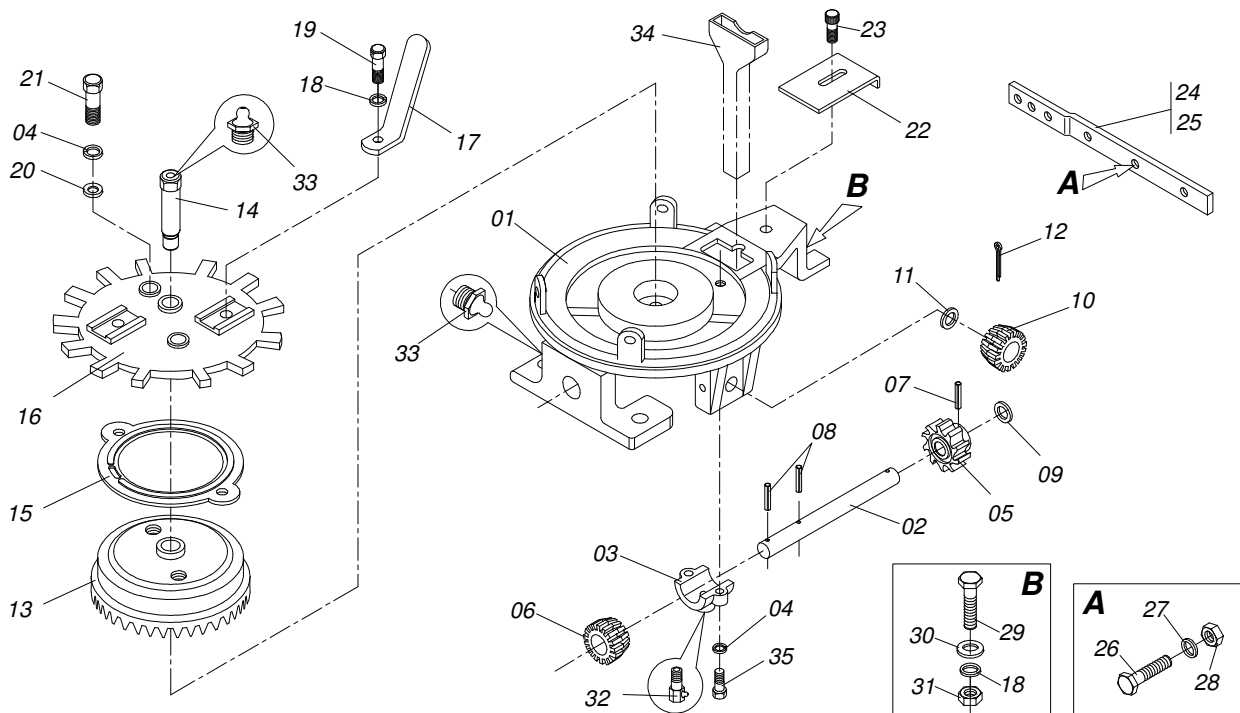


Item	Code	Description	See page	QT
00	0511042211	PNEUMATIC SEED DISTRIBUTOR		01
01	0501110393	DISTRIBUTOR MINOR SIDE ASSY		01
01A	0502012217	MINOR SIDE		01
02	0503011295	M 8 X 1,25 X 25 BOLT		01
03	0503010427	METRIC M8 X P.0.5" NUT		01
04	0503011770	SEAL # V-75 A		01
05	0501067722	26Z GEAR WITH BUSHING		01
06	0503011771	6008 2RS BALL BEARING		01
07	0503010217	501040 CLAMPING RING (FOR AXLE)		01
08	0502050028	DISC SUPPORT		01
09	0503011378	M6 X 1" BOLT		06
10	0503010143	SPRING WASHER		06
11	0511017229	1.6" X 2.5" X 0.7" BUSHING		01
12	0503011769	M8 X 0.5" BOLT		01
13	0501110309	PNEUMATIC SWITCH W/ SUPPORT		01
14	0503031060	PNEUMATIC SWITCH		01
15	0503011817	UPPER SELECTOR		01
16	0502020559	UPPER SELECTOR ACTUATOR		01
17	0503011823	0.1" X 0.6" SPRING PIN		02
18	0531014481	0.2" X 0.6" AXLE		01
19	0503011821	CRINKLE WASHER		01
20	0503011820	CRINKLE WASHER		02
21	0503011813	M6 X 1.2" BOLT		01
22	0502012228	LARGE SIDE		01
23	0501110311	LOWER SELECTOR ASSY		01
24	0511016220	LOWER SELECTOR INDICATOR		01
25	0503011815	TOOTHED WASHER		01
26	0503012445	M6 C/ABA 1.20" BUTTERFLY NUT		04
27	0503011812	M6 X 1" BOLT		01
28	0511017303	FLAT WASHER		04
29	0503011776	M6 SELF ADJUSTINGNUT		01

Item	Code	Description	See page	QT
30	0511017186	SEED LEVEL REGULATOR		01
31	0503011825	M4 X 8" BOLT		02
32	0503011840	FLAT WASHER		02
33	0503031058	UPPER SELECTOR SCALE		01
34	0501067818	SCALE INDICATOR WITH PIN		01
35	0511017219	SCALE INDICATOR GUIDE		01
36	0503011810	M6 X 1" BUTTERFLY BOLT		01
37	0503011827	504.100 CLAMPING RING (FOR HOLE)		01
38	0503011828	FLAT WASHER		01
39	0503011809	M12 KNOB		01
40	0503013020	SEED DRAINER COVER		01
41	0503013179	PNEUMATIC SEED DISTRIBUTOR VISOR		01
42	0503011511	DISC 3245 OF THE SMALL CORN		01
43	0503011512	DISC 3255 LARGE CORN		01
44	0503011454	DISC 6445 LARGE SOYBEAN		01
45	0503011455	DISC 6450 LARGE SOYBEAN		01
46	0503011513	DISC 6430 SMALL SOYBEAN/COTTON		01
47	0503011437	DISC 6420 SORGHUM		01
48	0503011456	DISC 4820 SORGHUM		01
49	0503011391	DISC 3230 SUNFLOWER		01
50	0503011436	DISC 4845 MIDDLE BEAN		01
51	0503011392	DISC 4855 GREAT BEAN		01
52	0503011717	DISC 4835 DELINTED COTTON / BEAN		01
53	0503012574	DISC 6460 PEANUT P18 A 26		01
54	0503011889	DISC 7512 TOMATO		01
55	0503012576	DISC 3660 CORN		01
56	0503012577	DISC 3650 MIDDLE CORN		01
57	0503012578	DISC 3645 CORN		01
58	0503012579	DISC 3630 SUNFLOWER		01
59	0503011370	DISC 6440 MIDDLE SOYBEAN		01
60	0503012581	DISC 8045 LARGE SOYBEAN		01
61	0503012582	DISC 18016 RICE		01
62	0503012860	DISC 3240 POPCORN		01
63	0503012728	DISC WITHOUT HOLE		01
64	0511015627	SEED DISC LEVER		01
65	0503031660	SEED DISTRIBUTOR RUBBER BACKING		01



Item	Code	Description	See page	QT
01	0501052908	COMPACTOR WHEEL WITH BEARING		01
01A	0502011919	PRESS WHEEL HUB		02
01Aa	0502011877	PRESS WHEEL HUB		02
01B	0521018922	PRESS WHEEL PASSANG AXLE		04
01C	0521018921	DUST CLOAK		02
01D	0521016316	DUST CLOAK		02
01E	0503012734	SEAL 01556 BR		04
01F	0503010269	6204 BALL BEARING		04
01G	0521018928	PRESS WHEEL RIM		04
01H	0503031421	DEPTH CONTROL WHEEL RUBBER BAND		02
01I	0503010295	5/16" X 5/8" BOLT		12
01J	0503010179	SPRING WASHER		18
01K	0503010337	5/16" NUT		18
01L	0503010178	5/16" X 7/8" BOLT		06
01M	0503010691	1/4" GREASE FITTING		02
02	0511064372	PRESS WHEEL ADJUSTER V		01
03	0521014508	FLAT WASHER		10
04	0503010706	1/2" X 4.1/2" BOLT		02
05	0503011336	1/2" HEX SELF ADJUSTING NUT		02
06	0511060673	PRESS WHEELS REGULATOR		01
07	0503010849	3/8" X 1-1/2" BOLT		02
08	0503010025	3/8 SPRING WASHER		02
09	0503010026	3/8" NUT		02
10	0521013398	PRESS WHEELS REGULATOR BODY		01
11	0521010539	0.3" X 1.2" COUPLING SHAFT		01
12	0503010257	1/8" X 1" COTTERPIN		01
13	0503030805	1.6" X 6" X 0.2" TRACTION SPRING		01
14	0521010480	1" X 1.2" X 0.4" ARTICULAT SLEEVE		02



Item	Code	Description	See page	QT
00	0501043422	SEED COTTON SYSTEM ASSY	31	01
01	0502020375	BOX SUPPORT SEED LINTER COTTON		01
02	0501013829	TRANSMISSION AXLE LINTER COTTON		01
03	0502010466	COTTON LINTER BEARING SEMI		01
04	0503010179	SPRING WASHER		03
05	0502010462	COTTON LINTER ROTOR		01
06	0502010467	CONICAL GEAR CILINDER COTTON LINTER		01
07	0503010585	0,24" X 1.18" SPRING PIN		02
08	0503010292	0.2" X 1.6" SPRING PIN		01
09	0501010941	FLAT WASHER		01
10	0502010465	LINTER COTTON RET CYL 18Z GEAR		01
11	0501013824	FLAT WASHER		01
12	0503010257	1/8" X 1" COTTERPIN		01
13	0502010463	CONICAL GEAR 40Z COTTON LINTER		01
14	0511010126	GEAR AXLE		01
15	0502010464	COTTON LINTER TRAIL		01
16	0502010461	COTTON LINTER DISC		01
17	0501013828	COTTON LINTER MEXEDOR		02
18	0503010025	3/8 SPRING WASHER		03
19	0503010256	3/8" X 3/4" BOLT		02
20	0503010357	FLAT WASHER		02
21	0503010137	5/16" X 1-1/4" BOLT		02
22	0511010127	SEED SWITCH PLATE		01
23	0503010386	CABLE		01
24	0501013831	LINTER COTTON RIGHT SIDE BASE		01
25	0501013830	LINTER COTTON LEFT SIDE BASE		01
26	0503010676	7/16" X 3-3/4" BOLT		01
27	0503010180	7/16" SPRING WASHER		01
28	0503010198	7/16" NUT		01
29	0501010324	3/8" X 1-1/4" BOLT		01
30	0501013518	FLAT WASHER		01



PHT3/SUPREMA
SEED COTTON SYSTEM ASSY

Page 31
0501043422

Item	Code	Description	See page	QT
31	0503010026	3/8" NUT		01
32	0503011098	1/4" GREASE FITTING		01
33	0503010691	1/4" GREASE FITTING		03
34	0503030484	COTTON LINTER SOCKET		01
35	0503010363	5/16" X 1" BOLT		02



MARCHESAN IMPLEMENTOS E MÁQUINAS AGRÍCOLAS TATU S.A.

AV. Marchesan, 1979 - Post office box, 131 - CEP 15994-900 - Matão - SP - Brazil

Phone +55 16.3382-8282

(FAX Parts) + 55 16.3382. 8297 - (Export) + 55 16.3382.1003

e.mail: tatu@marchesan.com.br www.marchesan.com.br

Technical Publications: Elaboration

JOSÉ DOMINGOS GASPARI

Technical Publications: Revision

JOSÉ DOMINGOS GASPARI

Contact Catálogo:

E-mail = jgaspari@marchesan.com.br

**ORIGINAL PARTS
TATU**

