

PARTS CATALOG

ROW CROP PLANTERS

PST2E

Code: 0501090610



Series: S-0400

Rev.: 00

Date Rev.: JUNHO/2004

ORIGINAL PARTS
TATU



PRODUCTS

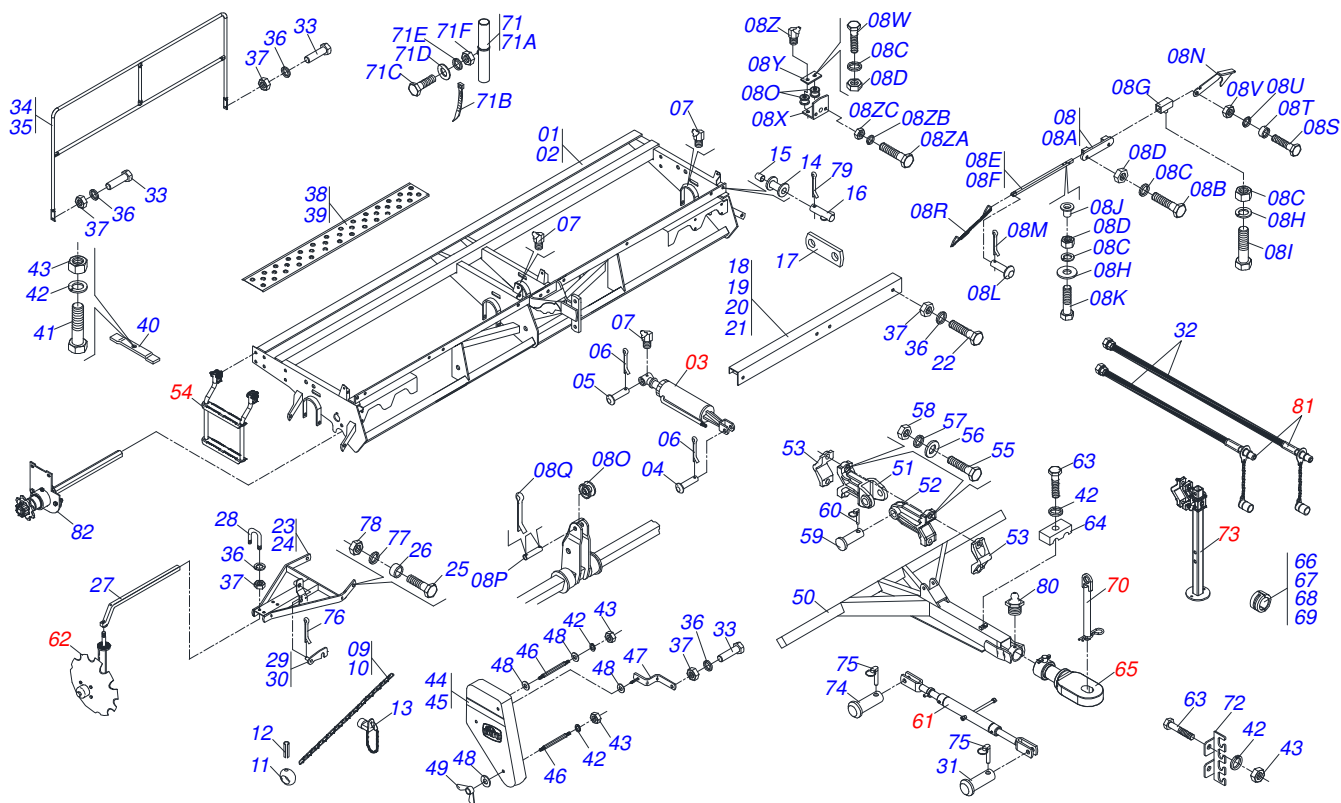
Code	Description	
0111026004	PST2E 8/ 8 C	S-0400
0111026006	PST2E 9/ 5 C	S-0400
0111026010	PST2E 9/ 9 C	S-0400
0111026078	PST2E 10/ 5 RD C	S-0400
0111026035	PST2E 10/ 7 C	S-0400
0111026036	PST2E 10/ 8 C	S-0400
0111026081	PST2E 10/ 8 RD C	S-0400
0111026111	PST2E 10/ 8 RD C CPS	S-0400
0111026037	PST2E 10/ 9 C	S-0400
0111026052	PST2E 10/ 9 H	S-0400
0111026038	PST2E 10/ 9 RD C	S-0400
0111026113	PST2E 10/ 9 RD C CPS	S-0400
0111026068	PST2E 10/ 9 RD D	S-0400
0111026053	PST2E 10/ 9 RD H	S-0400
0111026039	PST2E 10/10 C	S-0400
0111026069	PST2E 10/10 D	S-0400
0111026040	PST2E 10/10 RD C	S-0400
0111026070	PST2E 10/10 RD D	S-0400
0111026055	PST2E 10/10 RD H	S-0400
0111026119	PST2E 12/ 9 C CPS	S-0400
0111026120	PST2E 12/10 C CPS	S-0400
0111026045	PST2E 12/10 C	S-0400
0111026121	PST2E 12/11 C CPS	S-0400
0111026046	PST2E 12/11 C	S-0400
0111026076	PST2E 12/11 D	S-0400
0111026122	PST2E 12/12 C CPS	S-0400
0111026047	PST2E 12/12 C	S-0400
0111026077	PST2E 12/12 D	S-0400
0111026062	PST2E 12/12 H	S-0400

ATTENTION: **IMPORTANT**

MARCHESAN S/A RESERVES THE RIGHT AT ANY TIME TO MAKE IMPROVEMENTS IN THE DESIGN, MATERIAL OR SPECIFICATIONS OF MACHINERY, EQUIPMENT OR PARTS WITHOUT THEREBY BECOMING LIABLE TO MAKE SIMILAR CHANGES IN MACHINERY, EQUIPMENT OR PARTS PREVIOUSLY SOLD.

INDEX

0909091006	08 / 09 FRAME PST2E	1
0909091007	10/ 12 FRAME PST2E	2
0511054971	RESTING ASSEMBLY	3
0909094459	HEX AXLE ASSEMBLY	4
0511054973	SET LADDER	5
0501053494	TRACTOR HITCH ASSY	6
0501049849	2.0" X 4.5" X 25.8" HYDRAULIC CYLINDER	7
0501049734	2" X 4" X 20" X 24.3" HYDRAULIC CYLINDER	8
0501051577	STUB SHAFT HUB ASSY	9
0909091008	TRANSMISSION SISTEM	10
0501054589	SEQUENCE VALV ASSY	11
0501051596	TRANSMISSION RIGHT DRIVING	12
0909090977	FERTILIZER BOX	13
0909090984	ROW MARKER 08/09L	14
0511040203	1.5" X 2.5" X 19" X 9" HYDRAULIC CYLINDER	15
0501050633	MARKER DISC ASSY LINE	16
0909091000	HYDRAULIC CIRCUIT	17
0909091020	FERTILIZER SEED ROW ASSY	18
0909091009	SEED ROW	19
0909090986	FERTILIZER ROW ASSY	20
0909091030	ROD SCARIFIER SPINDLE	21
0501052945	DEPTH CONTROL WHEELS ASSY	22
0501050464	CONCAVE PRESS WHELL ASSY	23
0501052935	PRESS WHEELS ASSY	24
0501053037	IRON DEPTH CONTR. WHEEL ASSY	25
0501053080	IRON DEPTH CONTR. WHEEL	26
0909090004	15" X 15" SEED UNAL DOUB-DISC ASSY	27
0909090026	18" BLADE DISC ASSY	28
0909090102	FERTILIZER UNAL DOUB-DISC ASSY	29
0909090134	SEED DISTRIBUTOR ASSY	30
0909090195	WHEEL PRESS FERTILIZER ASSY (CBRF)	31
0909091011	DEPTH CONTROL WHEEL ASSY	32



Item	Code	Description	See page	08	09
001	0511065593	FRAME PST2E 8 S-0604		01	00
002	0511065596	FRAME PST3 9 S-0604		00	01
003	0501049849	2.0" X 4.5" X 25.8" HYDRAULIC CYLINDER	7	01	01
004	0521012538	1.2" X 3.5" COUPLING SHAFT		01	01
005	0521012536	COUPLING SHAFT		01	01
006	0503010523	1/4" X 2" COTTERPIN		02	02
007	0503010003	1845 GREASE FITTING		05	05
008	0501043881	ROW MARKER PIVOT		01	01
008A	0501065640	ROW MARKER ROD GUIDE		02	02
008B	0503010238	1/2" X 1-3/4" BOLT		04	04
008C	0503010019	1/2" SPRING WASHER		15	15
008D	0503010060	1/2" NUT		15	15
008E	0501065644	ROW MARKER ARM/DISARMENT ROD		01	01
008F	0501064229	REGULATOR ARM/DISARMENT ROD		01	01
008G	0501062547	ROW MARKER BAR REGULATOR		01	01
008H	0511017302	FLAT WASHER		02	02
008I	0503010395	1/2" X 1-1/4" BOLT		07	07
008J	0521010454	0.83" X 1.25" X 0.79" SLEEVE		01	01
008K	0503010734	1/2" X 2-1/2" BOLT		01	01
008L	0521010539	0.3" X 1.2" COUPLING SHAFT		02	02
008M	0503010140	1/8" X 3/4" COTTERPIN		02	02
008N	0531010412	ROW MARKER ARM LOCK		02	02
008O	0502011231	CENTRAL PULLEY		01	01
008P	0511011309	AXLE PULLEY		01	01
008Q	0503010257	1/8" X 1" COTTERPIN		02	02
008R	0503030755	STEEL CABLE		01	01
008S	0501010096	3/8" X 2" BOLT		02	02
008T	0531010415	ROW MARKER ARM/DISARM GUIDE SLLVE		04	04
008U	0503010025	3/8 SPRING WASHER		02	02
008V	0503010026	3/8" NUT		02	02
008W	0511011308	BOLT		02	02

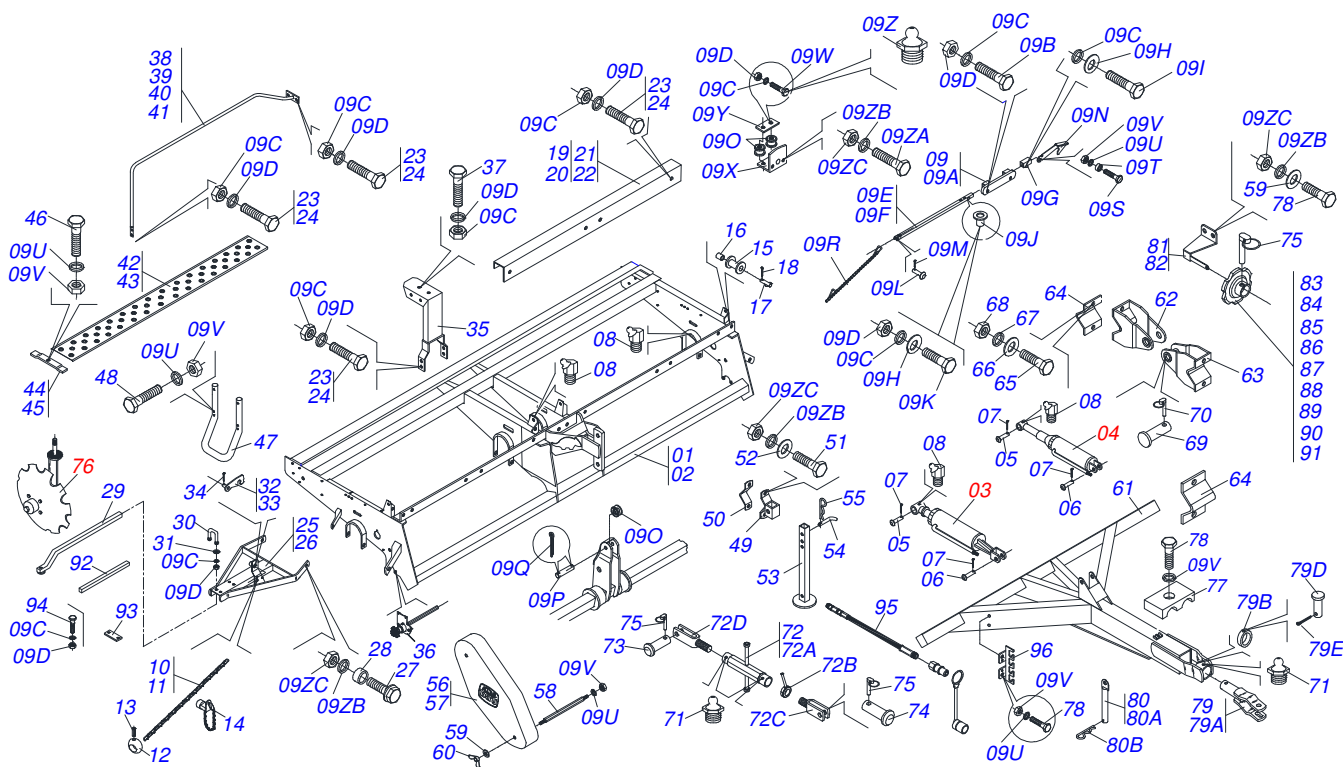


Item	Code	Description	See page	08	09
008X	0501065642	ROW MARKER SUPPORT		01	01
008Y	0521010693	PULLEY FIXER PLATE		01	01
008Z	0503010691	1/4" GREASE FITTING		02	02
008ZA	0503010232	5/8" X 1.3/4" BOLT		02	02
008ZB	0503010027	SPRING WASHER		02	02
008ZC	0503010013	5/8" NUT		02	02
009	0503011126	6,4 X 1000 CHAIN		02	00
010	0503011127	6,4 X 1260 CHAIN		00	02
011	0502011291	CHAIN SLEEVE		02	02
012	0503010683	0,2" X 1,2" SPRING PIN		02	02
013	0503011114	QUICK COUPLING PUMP		02	02
014	0502010421	SIDE PULLEY		02	02
015	0521010445	0.53" X 0.75" X 0.45" SLEEVE		02	02
016	0521010641	COUPLING SHAFT		02	02
017	0521013867	DRAWBAR TRANSPORT LOCK		01	01
018	0511011243	PROTECTION COVER ARM/DISARMMENT		01	00
019	0511011270	PROTECTION COVER ARM/DISARMMENT		00	01
020	0511011269	PROTECTION COVER ARM/DISARMMENT		01	00
021	0511011271	PROTECTION COVER ARM/DISARMMENT		00	01
022	0511017961	1/2" X 1-1/4" REB BOLT		02	02
023	0511060553	ROW MARKER SUPPORTE RIGHT		01	01
024	0511060554	ROW MARKER SUPPORTE LEFT		01	01
025	0503010769	5/8" X 2-1/4" BOLT		04	04
026	0521010479	SLEEVE ARTICULATION		04	04
027	0511062755	740 TURNBUCKLE		02	02
028	0521014411	1/2" X 2.76" X 1.54" FASTENER		04	04
029	0501069297	ROW MARKER LOCK RIGHT		01	01
030	0501069624	ROW MARKER LOCK LEFT		01	01
031	0521010577	0.9" X 4.1" COUPLING SHAFT		01	01
032	0501080510	3/8" X 137" TR-TR HOSE ASSY		02	02
033	0503010920	1/2" X 1.1/2" BOLT		04	04
034	0501069554	RIGHT HANDRAIL		01	00
035	0501069555	LEFT HANDRAIL		00	01
036	0503010019	1/2" SPRING WASHER		25	25
037	0503010060	1/2" NUT		25	25
038	0521011235	62.60" REAR PLATFORM		02	00
039	0521011237	72.83" REAR PLATFORM		00	02
040	0521011300	REAR PLATFORM FIXER		04	04
041	0501010080	3/8" BOLT		04	04
042	0503010025	3/8 SPRING WASHER		10	10
043	0503010026	3/8" NUT		10	10
044	0511011426	RH CHAIN PROTECTION CAP		01	01
045	0511011427	LEFT CHAIN PROTECTION CAP		01	01
046	0511011417	HEX STUD 3/8" X 3/8" X 5.79"		04	04
047	0501069631	COVER FIXER		02	02
048	0501010984	FLAT WASHER		12	12
049	0503010209	3/8" UNC BUTTERFLY NUT		06	06
050	0511064808	DRAWBAR		01	01
051	0502012328	DRAWBAR SUPPORT FRONT FIXATION		01	01
052	0502012329	DRAWBAR FIXATION REAR SUPPORT		01	01
053	0502012330	SUPPORT FIXER PIVOT		01	01
054	0511054973	SET LADDER	5	02	02
055	0503011084	3/4" X 5" BOLT		01	01
056	0501010322	FLAT WASHER		01	01
057	0503010023	SPRING WASHER		01	01
058	0503010014	3/4" NUT		01	01
059	0561014393	COUPLING SHAFT		01	01
060	0503030119	LOCK PIN		01	01
061	0501054428	DRAWBAR TURNBUCKLE		01	01



PST2E
08 / 09 FRAME PST2E

Item	Code	Description	See page	08	09
062	0501050633	MARKER DISC ASSY LINE	16	02	02
063	0503010751	C3/8" X 1.1/4" HEX BOLT G.5		02	02
064	0502010477	UPPER CLIP		01	01
065	0501053494	TRACTOR HITCH ASSY	6	01	01
066	0501047895	ROD STOP		01	01
067	0501047896	1.18" ROD STOP		01	01
068	0501047897	1.38" ROD STOP		01	01
069	0501047898	1.57" ROD STOP		01	01
070	0501047881	COUPLING SHAFT		01	01
071	0511057239	ASSY PORT MANUAL INSTRUCCION		01	01
071A	0503060100	HAND BOOK COMPARTMENT		01	01
071B	0503010267	NYLON CLAMP		01	01
071C	0503010363	5/16" X 1" BOLT		01	01
071D	0501010694	FLAT WASHER		01	01
071E	0503010179	SPRING WASHER		01	01
071F	0503010337	5/16" NUT		01	01
072	0541011767	HOSE FIXATION		01	01
073	0511054971	RESTING ASSEMBLY	3	02	02
074	0521010572	0.9" X 2.9" COUPLING SHAFT		01	01
075	0503030085	LOCK PIN		02	02
076	0503010257	1/8" X 1" COTTERPIN		02	02
077	0503010027	SPRING WASHER		02	02
078	0503010013	5/8" NUT		02	02
079	0503010140	1/8" X 3/4" COTTERPIN		02	02
080	0503010002	1800 GREASE FITTING		02	02
081	0501053834	MALE QUICK COUPLING AGRICULTURAL WITH COVER - 1/2 NPT		02	02
082	0909094459	HEX AXLE ASSEMBLY	4	01	01



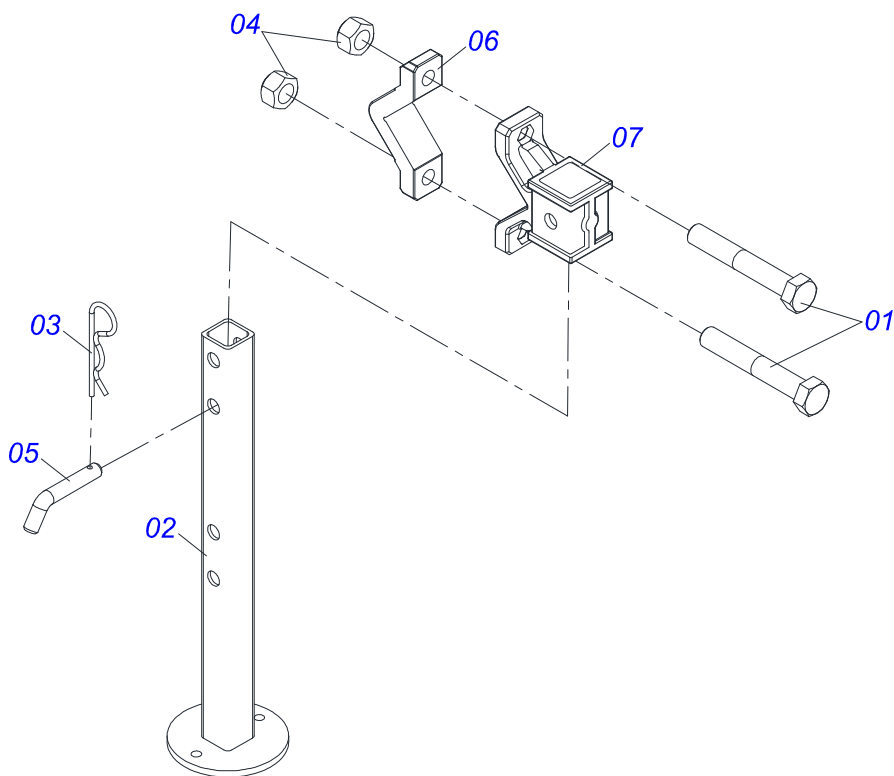
Item	Code	Description	See page	10	12
01	0511062576	PST2E FRAME		01	00
02	0511062577	PST2E FRAME		00	01
03	0501049849	2.0" X 4.5" X 25.8" HYDRAULIC CYLINDER	7	01	00
04	0501049734	2" X 4" X 20" X 24.3" HYDRAULIC CYLINDER	8	00	01
05	0521012538	1.2" X 3.5" COUPLING SHAFT		01	01
06	0521012536	COUPLING SHAFT		01	01
07	0503010523	1/4" X 2" COTTERPIN		02	02
08	0503010003	1845 GREASE FITTING		05	05
09	0501043881	ROW MARKER PIVOT		01	01
09A	0501065640	ROW MARKER ROD GUIDE		02	02
09B	0503010238	1/2" X 1-3/4" BOLT		04	04
09C	0503010019	1/2" SPRING WASHER		39	39
09D	0503010060	1/2" NUT		39	39
09E	0501065644	ROW MARKER ARM/DISARMMENT ROD		01	01
09F	0501064229	REGULATOR ARM/DISARMMENT ROD		01	01
09G	0501062547	ROW MARKER BAR REGULATOR		01	01
09H	0511017302	FLAT WASHER		02	02
09I	0503010395	1/2" X 1-1/4" BOLT		01	01
09J	0521010454	0.83" X 1.25" X 0.79" SLEEVE		01	01
09K	0503010734	1/2" X 2-1/2" BOLT		01	01
09L	0521010539	0.3" X 1.2" COUPLING SHAFT		02	02
09M	0503010140	1/8" X 3/4" COTTERPIN		02	02
09N	0531010412	ROW MARKER ARM LOCK		02	02
09O	0502011231	CENTRAL PULLEY		01	01
09P	0511011309	AXLE PULLEY		01	01
09Q	0503010257	1/8" X 1" COTTERPIN		02	02
09R	0503030755	STEEL CABLE		01	01
09S	0501010096	3/8" X 2" BOLT		02	02
09T	0531010415	ROW MARKER ARM/DISARM GUIDE SLLVE		04	04
09U	0503010025	3/8 SPRING WASHER		22	22
09V	0503010026	3/8" NUT		21	21



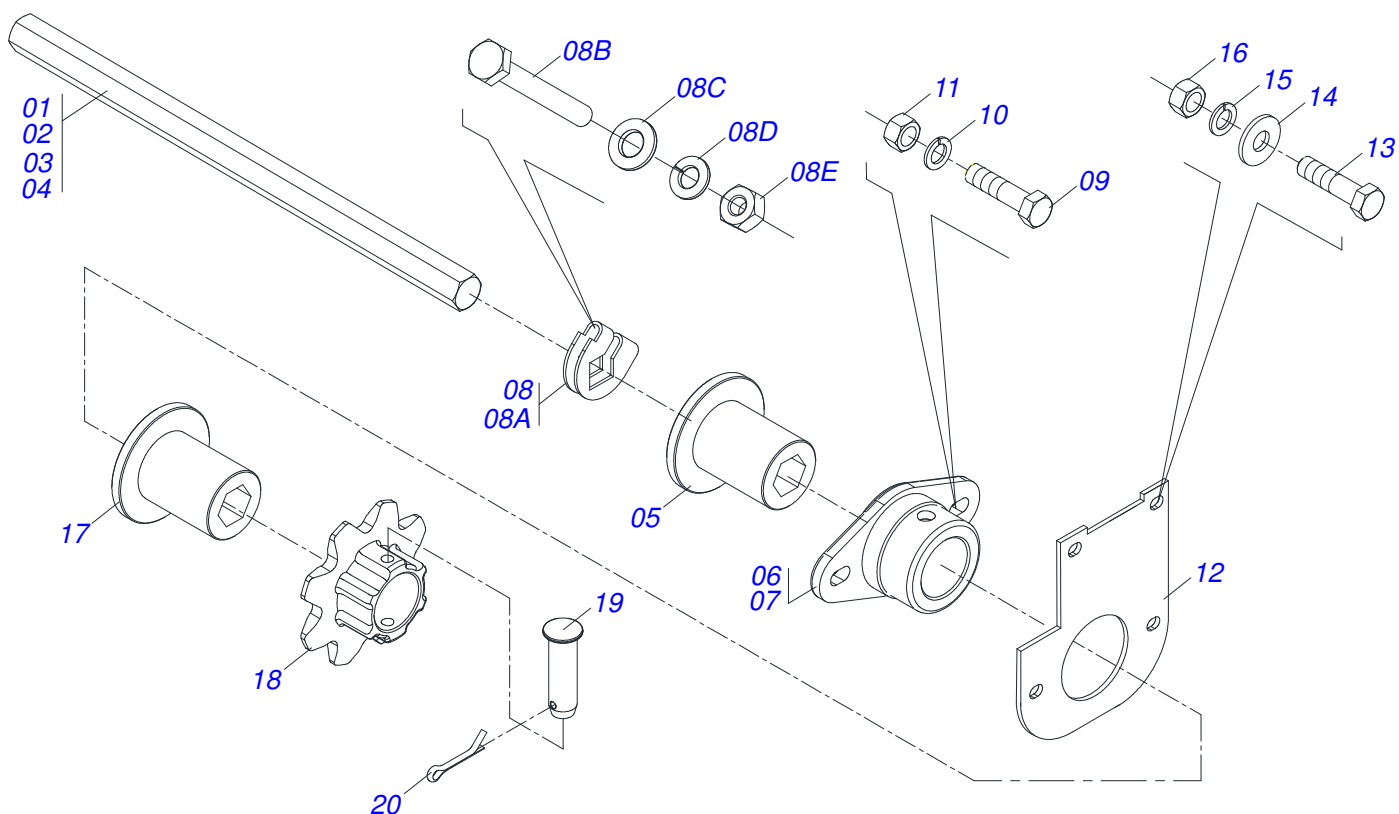
Item	Code	Description	See page	10	12
09W	0511011308	BOLT		02	02
09X	0501065642	ROW MARKER SUPPORT		01	01
09Y	0521010693	PULLEY FIXER PLATE		01	01
09Z	0503010691	1/4" GREASE FITTING		02	02
09ZA	0503010232	5/8" X 1.3/4" BOLT		02	02
09ZB	0503010027	SPRING WASHER		02	02
09ZC	0503010013	5/8" NUT		02	02
10	0503011128	6,4 X 1400 CHAIN		02	00
11	0503011129	6,4 X 1900 CHAIN		00	02
12	0502011291	CHAIN SLEEVE		02	02
13	0503010683	0,2" X 1,2" SPRING PIN		02	02
14	0503011114	QUICK COUPLING PUMP		02	02
15	0502010421	SIDE PULLEY		02	02
16	0521010445	0.53" X 0.75" X 0.45" SLEEVE		02	02
17	0521010641	COUPLING SHAFT		02	02
18	0503010140	1/8" X 3/4" COTTERPIN		02	02
19	0511011272	PROTECTION COVER ARM/DISARMMENT		01	00
20	0511011273	PROTECTION COVER ARM/DISARMMENT		01	00
21	0511011274	PROTECTION COVER ARM/DISARMMENT		00	01
22	0511011275	PROTECTION COVER ARM/DISARMMENT		00	01
23	0503010395	1/2" X 1-1/4" BOLT		02	00
24	0511017961	1/2" X 1-1/4" REB BOLT		02	00
25	0511060553	ROW MARKER SUPPORTE RIGHT		01	01
26	0511060554	ROW MARKER SUPPORTE LEFT		01	01
27	0503010769	5/8" X 2-1/4" BOLT		04	04
28	0521010479	SLEEVE ARTICULATION		02	02
29	0501069643	890 TURNBUCKLE		02	02
30	0521014411	1/2" X 2.76" X 1.54" FASTENER		04	04
31	0511017302	FLAT WASHER		08	08
32	0501069297	ROW MARKER LOCK RIGHT		01	01
33	0501069624	ROW MARKER LOCK LEFT		01	01
34	0503010257	1/8" X 1" COTTERPIN		02	02
35	0501067214	SEAT SUPPORT		01	01
36	0909094459	HEX AXLE ASSEMBLY	4	01	01
37	0503010834	1/2 X 1 BOLT		02	02
38	0501069558	RIGHT HANDRAIL		01	01
39	0501069559	LEFT HANDRAIL		01	01
40	0501069560	RIGHT HANDRAIL		01	01
41	0501069561	LEFT HANDRAIL		01	01
42	0521011241	REAR PLATFORM 1990 PST2 10 S-0498		02	00
43	0521011244	REAR PLATFORM 2490 PST2 12 S-0498		00	02
44	0521011300	REAR PLATFORM FIXER		04	04
45	0501069351	REAR PLATFORM FIXER		04	04
46	0501010080	3/8" BOLT		04	04
47	0511064807	STIRRUP		02	02
48	0503011404	3/8" X 1-3/4" BOLT		08	08
49	0502011530	SUPPORT		02	02
50	0502010175	HITCH CLAMP		02	02
51	0501011543	5/8" X 4" BOLT		04	04
52	0501012140	FLAT WASHER		04	04
53	0511061835	PLOUGH SUPPORT		02	02
54	0501011075	PIN		02	02
55	0503030012	HAIR PIN		02	02
56	0511011426	RH CHAIN PROTECTION CAP		01	01
57	0511011427	LEFT CHAIN PROTECTION CAP		01	01
58	0511011417	HEX STUD 3/8" X 3/8" X 5.79"		04	04
59	0501010984	FLAT WASHER		08	08
60	0503010209	3/8" UNC BUTTERFLY NUT		04	04
61	0511064808	DRAWBAR		01	01



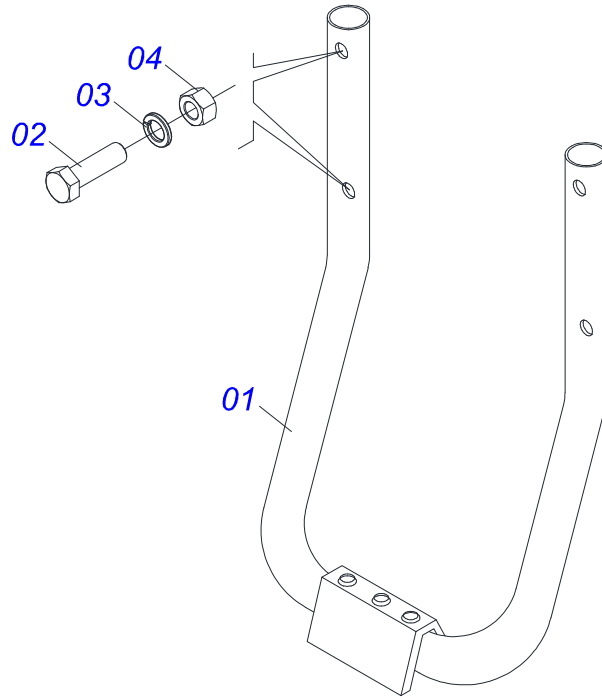
Item	Code	Description	See page	10	12
62	0511062833	DRAWBAR FIXATION REAR SUPPORT		02	02
63	0511062834	DRAWBAR SUPPORT FRONT FIXATION		02	02
64	0531012341	DRAWBAR BODY SUPPORT FIXATION		04	04
65	0503011084	3/4" X 5" BOLT		08	08
66	0501010322	FLAT WASHER		08	08
67	0503010023	SPRING WASHER		10	10
68	0503010014	3/4" NUT		10	10
69	0531012336	1.4" X 5.35" COUPLING SHAFT		02	02
70	0503030119	LOCK PIN		02	02
71	0503010002	1800 GREASE FITTING		04	04
72	0501054428	DRAWBAR TURNBUCKLE		01	01
72A	0501067353	508 PST3 TURNBUCKLE		01	01
72B	0511060558	RIGHT TURNBUCKLE		01	01
72C	0511060559	LEFT TURNBUCKLE		01	01
72D	0501061056	RH LOCKNUT WITH HANDLER		01	01
73	0521010572	0.9" X 2.9" COUPLING SHAFT		01	01
74	0521010577	0.9" X 4.1" COUPLING SHAFT		01	01
75	0503030085	LOCK PIN		04	04
76	0501050633	MARKER DISC ASSY LINE	16	02	02
77	0502010477	UPPER CLIP		01	01
78	0503010751	C3/8" X 1.1/4" HEX BOLT G.5		06	06
79	0501051160	TRACTOR HITCH PIN		01	01
79A	0521012681	TRACTOR HITCH BODY		01	01
79B	0521010639	COUPLING SHAFT		01	01
79C	0503010571	1/4" X 1.1/2 COTTERPIN		01	01
80	0501042545	HITCH PIN ASSY		01	01
80A	0501068989	COUPLING SHAFT		01	01
80B	0503031035	HAIR PIN		01	01
81	0501069308	GEAR RIGHT SUPPORT		01	01
82	0501069309	GEAR LEFT SUPPORT		01	01
83	0502011306	6Z P 1.2" RH 1.4" GEAR		04	04
84	0502011314	8Z P 1.1/4" RH 1.4" GEAR		02	02
85	0502011317	10Z P 1.2" RH 1.3/8" GEAR		02	02
86	0502011322	11Z P 1.2" RH 1.3/8" GEAR		04	04
87	0502011324	12Z P 1.2" RH 1.4" GEAR		06	06
88	0502011334	14Z P 1.2" RH 1.4" GEAR		04	04
89	0502011341	16Z P 1.2" RH 0.8" GEAR		04	04
90	0502011443	7Z P 1.1/4" RH 1.3/8" GEAR		02	02
91	0502011444	9Z P 1.1/4" RH 1.3/8" GEAR		02	02
92	0521013164	PROTRACTOR TURNBUCKLE		02	02
93	0501011310	FIXER LOCK		04	04
94	0503010706	1/2" X 4.1/2" BOLT		08	08
95	0501080510	3/8" X 137" TR-TR HOSE ASSY		02	02
96	0541011767	HOSE FIXATION		01	01



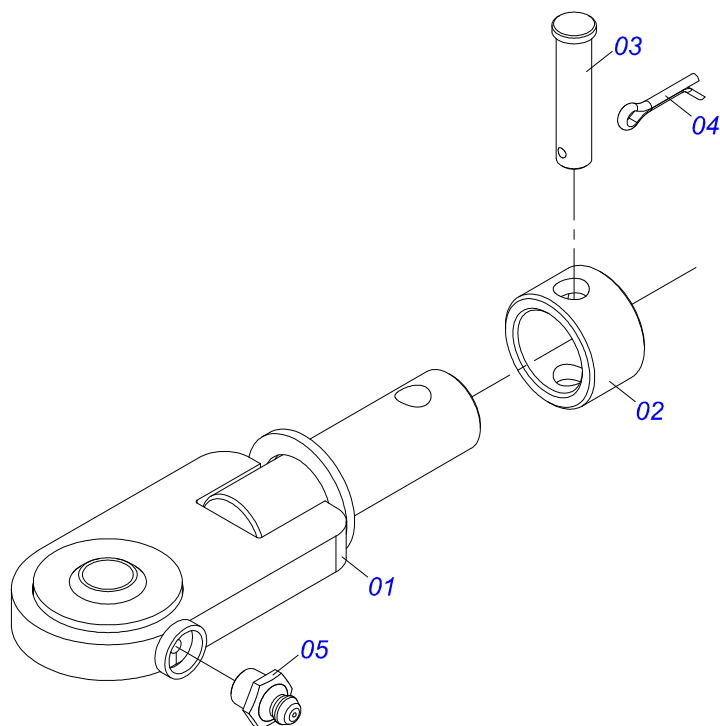
Item	Code	Description	See page	QT
01	0501011543	5/8" X 4" BOLT		02
02	0511061835	PLOUGH SUPPORT		01
03	0503030012	HAIR PIN		01
04	0503012412	HEX SELF ADJUSTING NUT 5/8 UNC S		02
05	0501011075	PIN		01
06	0502010175	HITCH CLAMP		01
07	0502011530	SUPPORT		01



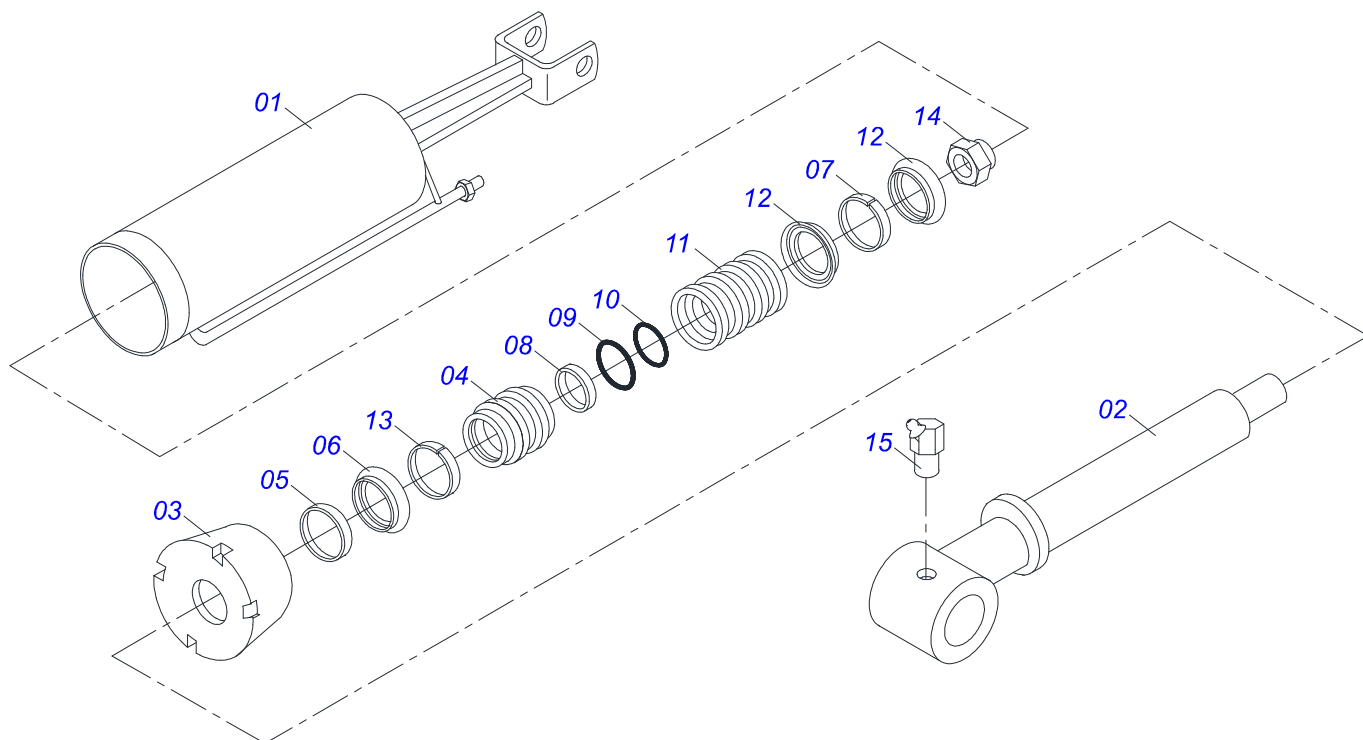
Item	Code	Description	See page	08	09	10	12 L.
01	0501017440	5/8" X 60.4" HEX AXLE		01	00	00	00
01.	0501017441	5/8" X 69.3" HEX AXLE		01	00	00	00
02	0511010749	5/8" X 71.8" HEX AXLE		00	01	00	00
02.	0511010750	5/8" X 79.1" HEX AXLE		00	01	00	00
03	0501017442	5/8" X 76.1" HEX AXLE		00	00	01	00
03.	0501017443	5/8" X 85" HEX AXLE		00	00	01	00
04	0501017432	5/8" X 95.8" HEX AXLE		00	00	00	01
04.	0501017433	5/8" X 2660" HEX AXLE		00	00	00	01
05	0502040723	5/8 HEX AXLE BEARING SLEEVE		02	02	02	02
06	0501110036	HEX AXLE RIGHT BEARING ASSY		01	01	01	01
07	0501110037	5/8" HEX AXLE LEFT BEARING ASSY		01	01	01	01
08	0501053788	Q3/4" FASTENER AXLE ASSY		02	02	02	02
08A	0521010691	AXLE FASTENER		02	02	02	02
08B	0503010373	1/4" X 2" BOLT		02	02	02	02
08C	0511017303	FLAT WASHER		02	02	02	02
08D	0503010143	SPRING WASHER		02	02	02	02
08E	0503010144	1/4" NUT		02	02	02	02
09	0503010363	5/16" X 1" BOLT		04	04	04	04
10	0503011176	5/16" SPRING WASHER		04	04	04	04
11	0503010337	5/16" NUT		04	04	04	04
12	0501017558	5/8" HEX AXLE BEARING SUPPORT		02	02	02	02
13	0503010920	1/2" X 1.1/2" BOLT		04	04	04	04
14	0511017302	FLAT WASHER		04	04	04	04
15	0503010019	1/2" SPRING WASHER		04	04	04	04
16	0503010060	1/2" NUT		04	04	04	04
17	0502011299	BUSHING GEAR		02	02	02	02
18	0502011314	8Z P 1.1/4" RH1.4" GEAR		02	02	02	02
19	0521010530	COUPLING SHAFT		02	02	02	02
20	0503010140	1/8" X 3/4" COTTERPIN		02	02	02	02



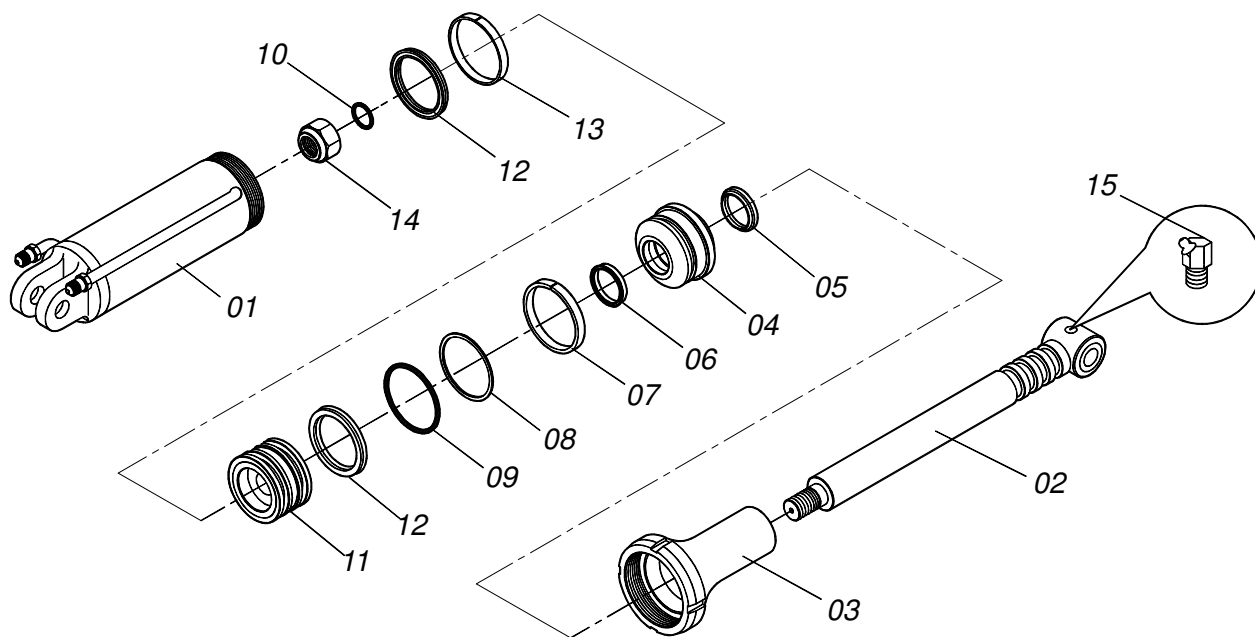
Item	Code	Description	See page	QT
001	0511064807	STIRRUP		01
002	0503011404	3/8" X 1-3/4" BOLT		04
003	0503010025	3/8 SPRING WASHER		04
004	0503010026	3/8" NUT		04



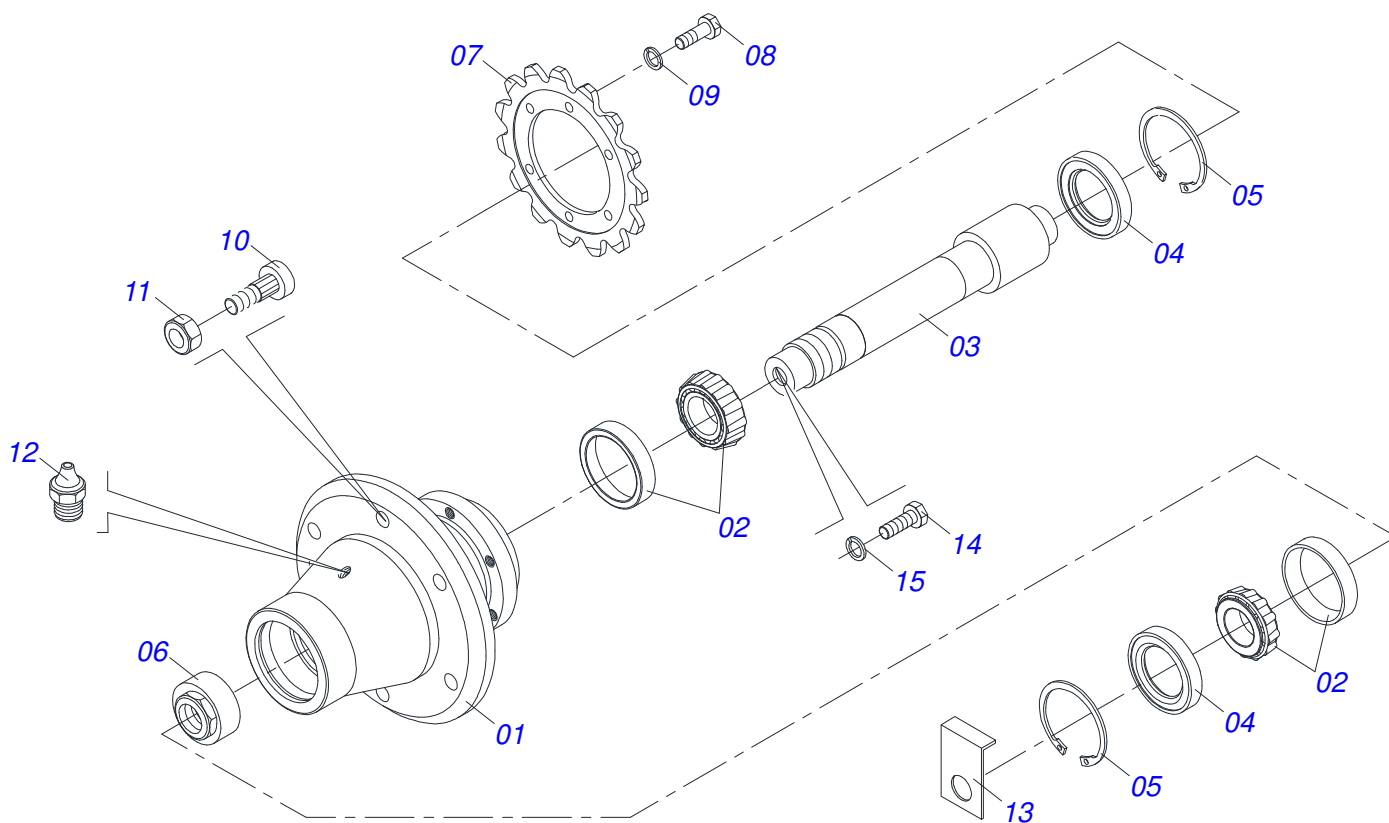
Item	Code	Description	See page	QT
001	0511062245	TRACTOR HITCH ASSY		01
002	0521010681	BUSHING COUPLING BODY		01
003	0521010639	COUPLING SHAFT		01
004	0503010571	1/4" X 1.1/2 COTTERPIN		01
005	0503010002	1800 GREASE FITTING		01



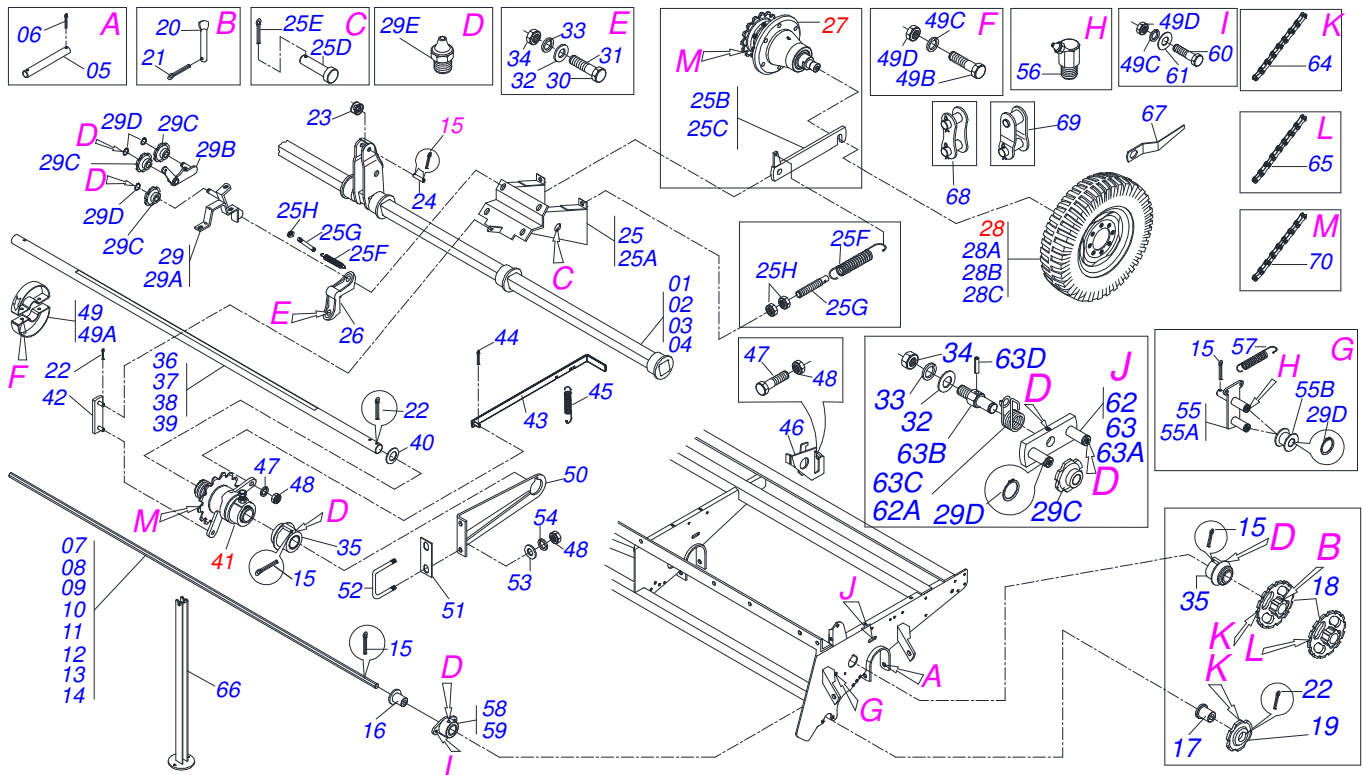
Item	Code	Description	See page	QT
01	0511065689	114,3 X 506 CYLINDER CASE		01
02	0511065690	50,8 X 413 TURNBUCLE		01
03	0502011222	0.56" MOBILE COVER		01
04	0502011220	2" X 4.5" RING SUPPORT		01
05	0503010039	D-2000 SCRAPER RING		01
06	0503010991	PACKING 1870-2000-375-B		01
07	0503010952	W2-2250-500 PK RING G.E		01
08	0503011893	8-346 BACK-UP RING		01
09	0503011892	2-346 N 3006-9B O'RING		01
10	0503010345	2-218 N 3006-9B O'RING		01
11	0502011221	2.0" X 4.5" PISTON		01
12	0503011890	3750-3750 GASKET		02
13	0503011891	W2-4500-500 RING G.E		01
14	0503010817	1-1/4" SELF-ADJUSTING NUT		01
15	0503010003	1845 GREASE FITTING		01



Item	Code	Description	See page	QT
00	0501049734	2" X 4" X 20" X 24.3" HYDRAULIC CYLINDER	8	01
01	0511062154	4" X 14.69" CYLINDER CASE		01
02	0511062155	2" X 19.39" TURNBUCLE WITH BUSHING		01
03	0502010427	4" HEAD		01
04	0502010778	2" X 4.2" RING SUPPORT		01
05	0503010039	D-2000 SCRAPER RING		01
06	0503010991	PACKING 1870-2000-375-B		01
07	0503010952	W2-2250-500 PK RING G.E		01
08	0503011061	8-342 BACK-UP RING		01
09	0503010338	2-342 N 3006-9B O'RING		01
10	0503010345	2-218 N 3006-9B O'RING		01
11	0502010992	2.0" X 4.0" PISTON		01
12	0503010043	PACKING 3750-3250		02
13	0503010994	W2-4000-500 PK RING G.E		01
14	0503010817	1-1/4" SELF-ADJUSTING NUT		01
15	0503010003	1845 GREASE FITTING		01
16	0501031799	HYDRAULIC CYLINDER REPAIR KIT		



Item	Code	Description	See page	QT
01	0502011284	CARRYING WHEEL HUB		01
02	0503010037	30207 ROLLER BEARING		02
03	0511015300	WHEELS AXLE		01
04	0503010590	00674-B SEAL		02
05	0503010370	502072 CLAMPING RING (FOR AXLE)		02
06	0502040663	ADJUSTMENT NUT		01
07	0502011339	15Z GEAR P 1.25"		01
08	0503010240	5/16" X 3/4" BOLT		06
09	0503010179	SPRING WASHER		06
10	0501010127	9/16" X 1-7/8" LUG BOLT		06
11	0503013001	9/16" CONICAL NUT		06
12	0503010002	1800 GREASE FITTING		01
13	0521012190	AXLE LOCK		01
14	0503011167	M16 X 2 X 30 BOLT		01
15	0503010027	SPRING WASHER		01



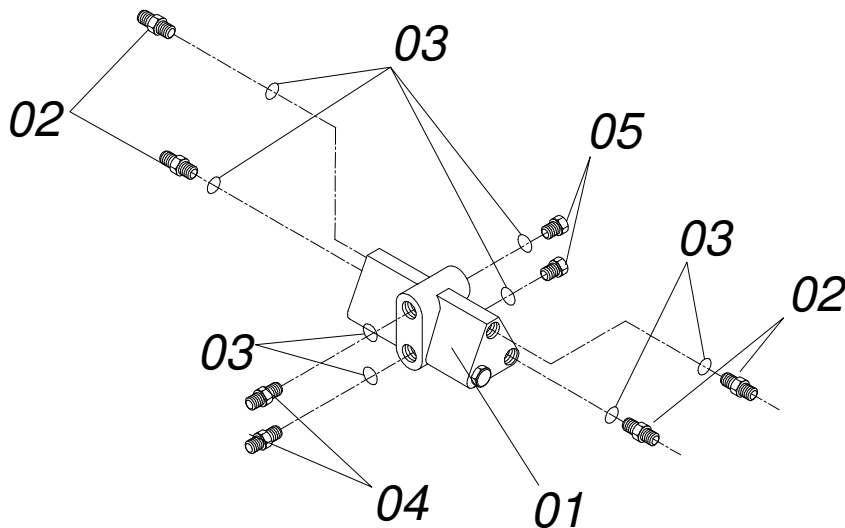
Item	Code	Description	See page	08	09	10	12
01	0511062157	CARRYING-WHEELS PIVOT SHAFT		01	00	00	00
02	0511062158	CARRYING-WHEELS PIVOT SHAFT		00	01	00	00
03	0511062159	CARRYING-WHEELS PIVOT SHAFT		00	00	01	00
04	0511062160	CARRYING-WHEELS PIVOT SHAFT		00	00	00	01
05	0521010569	COUPLING SHAFT		04	04	04	06
06	0503010571	1/4" X 1.1/2 COTTERPIN		08	08	08	12
07	0501017440	5/8" X 60.4" HEX AXLE		01	00	00	00
08	0501017441	5/8" X 69.3" HEX AXLE		01	00	00	00
09	0511010749	5/8" X 71.8" HEX AXLE		00	01	00	00
10	0511010750	5/8" X 79.1" HEX AXLE		00	01	00	00
11	0501017442	5/8" X 76.1" HEX AXLE		00	00	01	00
12	0501017443	5/8" X 85" HEX AXLE		00	00	01	00
13	0501017432	5/8" X 95.8" HEX AXLE		00	00	00	01
14	0501017433	5/8" X 2660" HEX AXLE		00	00	00	01
15	0503010257	1/8" X 1" COTTERPIN		10	10	12	12
16	0502040723	5/8 HEX AXLE BEARING SLEEVE		02	02	02	02
17	0502011299	BUSHING GEAR		02	02	02	02
18	0502010415	18Z GEAR		04	04	04	04
19	0502011314	8Z P 1.1/4" RH1.4" GEAR		02	02	02	02
20	0521010530	COUPLING SHAFT		02	02	02	02
21	0503010140	1/8" X 3/4" COTTERPIN		02	02	02	02
22	0503010010	1/4" X 2.1/2" COTTERPIN		04	04	04	04
23	0502011231	CENTRAL PULLEY		01	01	01	01
24	0511011309	AXLE PULLEY		01	01	01	01
25	0501053877	WHEEL ARM ASSY		01	01	01	01
25A	0501067549	WHEEL SUPPORT		01	01	01	01
25B	0501067177	WHEEL RIGHT ARM		01	01	01	01
25C	0501067178	WHEEL LEFT ARM		01	01	01	01
25D	0521010648	1.2" X 2.2" COUPLING SHAFT		02	02	02	02
25E	0503010523	1/4" X 2" COTTERPIN		02	02	02	02
25F	0503030425	1" X 6" X 0.2" TRACTION SPRING		02	02	02	02

Item	Code	Description	See page	08	09	10	12
25G	0501013491	5/8" TENSIONER SPRING		02	02	02	02
25H	0503010013	5/8" NUT		04	04	04	04
26	0502010584	CARRYING-WHEELS SUPPORT FIXER		04	04	08	08
27	0501051577	STUB SHAFT HUB ASSY	9	01	01	01	01
28	0503060112	WHEEL AND TIRE ASSY - 16-10 L		01	01	01	01
28A	0503011101	CANVAS TIRE		01	01	01	01
28B	0503010072	0,18"X0,65"X5.12" WHEEL		01	01	01	01
28C	0503010694	INNER TIRE		01	01	01	01
29	0501053504	WHEEL CHAIN TENSIONER ASSY		02	02	02	02
29A	0511060920	WHEEL CHAIN TENSIONER		02	02	04	04
29B	0511061055	WHEEL TIGHTENER		06	06	08	08
29C	0503031804	5Z GEAR P31,75		12	12	18	18
29D	0503010302	501019 SEAL RING		12	12	18	18
29E	0503010002	1800 GREASE FITTING		28	28	36	36
30	0503010797	3/4" X 4" BOLT		04	04	08	08
31	0501010216	3/4" X 4-1/2" BOLT		04	04	08	08
32	0501010322	FLAT WASHER		04	04	08	08
33	0503010023	SPRING WASHER		08	08	16	16
34	0503010014	3/4" NUT		08	08	16	16
35	0501110025	AGRICULTURAL BEARING		06	06	06	06
36	0511010733	1-3/8" X 60" AXLE		02	00	00	00
37	0511011250	1-3/8" X 73" AXLE		00	02	00	00
38	0511010734	1-3/8" X 78" AXLE		00	00	02	00
39	0511010735	1-3/8" X 98" AXLE		00	00	02	00
40	0501018466	FLAT WASHER		10	10	10	10
41	0501051596	TRANSMISSION RIGHT DRIVING	12	02	02	04	04
42	0501065167	RATCHET PIVOT ARM		02	02	04	04
43	0501067046	RATCHET RESET		02	02	02	02
44	0503010140	1/8" X 3/4" COTTERPIN		06	06	06	06
45	0503030198	0.6" X 2.4" X 0.1" EXTENSION SPRING		02	02	02	04
46	0501069850	RATCHET BAR DES.		02	02	04	04
47	0503010920	1/2" X 1.1/2" BOLT		02	02	02	02
48	0503010060	1/2" NUT		02	02	02	02
49	0501052560	AXLE MOTOR SLOW-MOVING ASSY		02	02	02	02
49A	0503031825	AXLE MOTOR SLOW-MOVING		02	02	02	02
49B	0503010240	5/16" X 3/4" BOLT		02	02	02	02
49C	0503010179	SPRING WASHER		06	06	06	06
49D	0503010337	5/16" NUT		06	06	06	06
50	0511060718	MOTOR AXLE BEARING SUPPORTE		02	02	04	04
51	0521014436	MOTOR CHOCK SUPPORT BEARING AXLE		06	06	12	12
52	0521014021	1/2" X 4.5" X 5.4" FASTENER		02	02	04	04
53	0511017302	FLAT WASHER		04	04	08	08
54	0503010019	1/2" SPRING WASHER		12	12	16	16
55	0501042500	CHAIN TENSIONER ASSY		02	02	02	02
55A	0501067694	CHAIN TENSIONER		02	02	02	02
55B	0503030402	PULLEY		02	02	02	02
56	0503010003	1845 GREASE FITTING		02	02	02	02
57	0503030418	TRACTION SPRING		02	02	02	02
58	0501110036	HEX AXLE RIGHT BEARING ASSY		01	01	01	01
59	0501110037	5/8" HEX AXLE LEFT BEARING ASSY		01	01	01	01
60	0503010363	5/16" X 1" BOLT		04	04	04	04
61	0501010694	FLAT WASHER		04	04	04	04
62	0501041671	RIGHT TRANSM CHAIN TENSIONER		01	01	01	01
62A	0503030417	1.7"X 1.4"X 0.14" RH TORSION SPRING		01	01	01	01
63	0501041672	LEFT CHAIN TENSIONER TRANSM		01	01	01	01
63A	0501062729	CHAIN TENSIONER SUPPORT		01	01	01	01
63B	0511018661	3/4" X 3.3" PIVOT SHAFT		01	01	01	01
63C	0503030394	1.7"X 1.4"X 0.14" LH TORSION SPRING		01	01	01	01
63D	0503010292	0.2" X 1.6" SPRING PIN		01	01	01	01

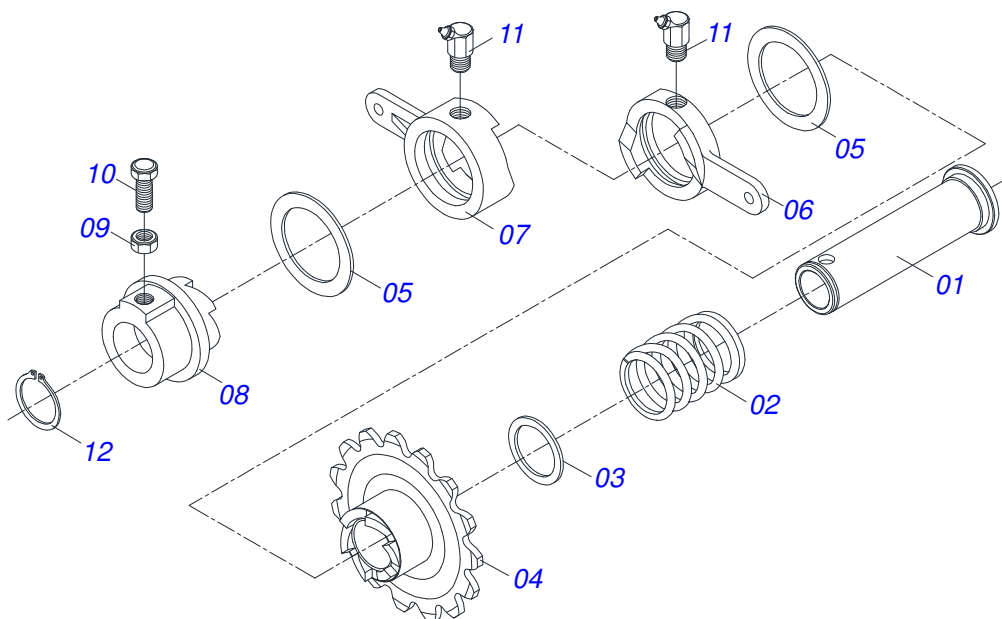


PST2E
TRANSMISSION SISTEM

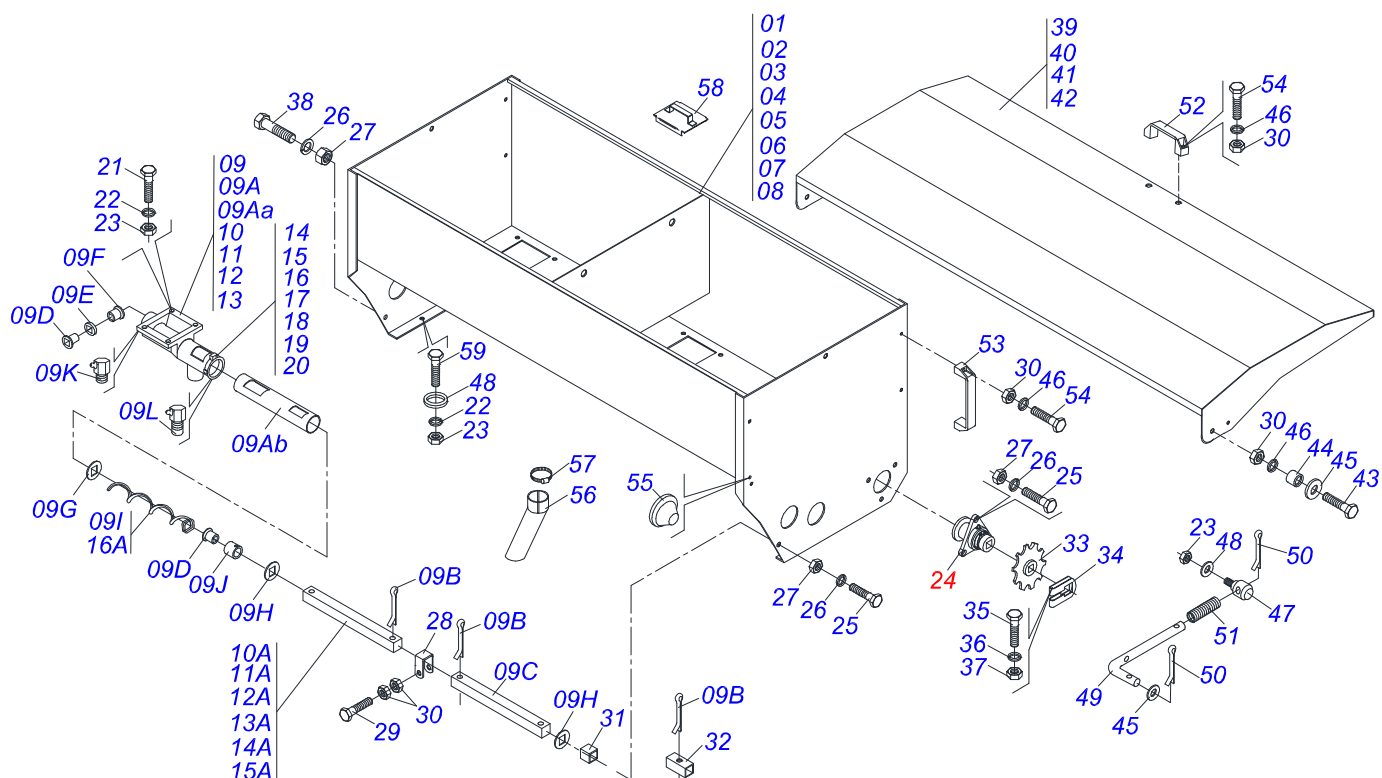
Item	Code	Description	See page	08	09	10	12
64	0503010450	2050 CHAIN X 30 LINK + REDUCTION		02	02	02	02
65	0503010876	2050 CHAIN X 45 LINK + MENDING		02	02	02	02
66	0501065677	STRUT		02	02	02	02
67	0501011432	1-1/2" AND 1-5/8 GANG BOLT WRENCH		01	01	01	01
68	0503010780	N-2050 AMENDMENT		02	02	02	02
69	0503010951	REDUCTION		04	04	04	04
70	0503011393	CHAIN 2050 X 2.8" LINK + MENDING		02	02	02	02



Item	Code	Description	See page
01	0503060132	VDFS-002 T SEQUENCEL VALVE	01
02	0501010617	3/4" NIPPLE	04
03	0503010190	2-114 N 3006-9B O'RING	08
04	0501011460	7/8 NF REDUCTION NIPPLE	02
05	0531017427	3/4" X 06" PUMP	02



Item	Code	Description	See page	QT
01	0501110220	MECHANICAL RATCHET AXLE		01
02	0503030553	2.3"X 2.5"X 0.2"COMPRESSION SPRING		01
03	0501019735	FLAT WASHER		01
04	0502011329	14Z GEAR WITH RIGHT DRAGGER		01
05	0501019734	FLAT WASHER		02
06	0502010711	RIGHT CAM,LARGER		01
07	0502010710	RIGHT CAM, SMALLER		01
08	0502010708	RH DRIVING AXLE FOLLOWER		01
09	0503010060	1/2" NUT		01
10	0503011082	C1/2" X 1.3/4" BOLT		01
11	0503010003	1845 GREASE FITTING		02
12	0503010542	501045 CLAMPING RING (FOR AXLE)		01

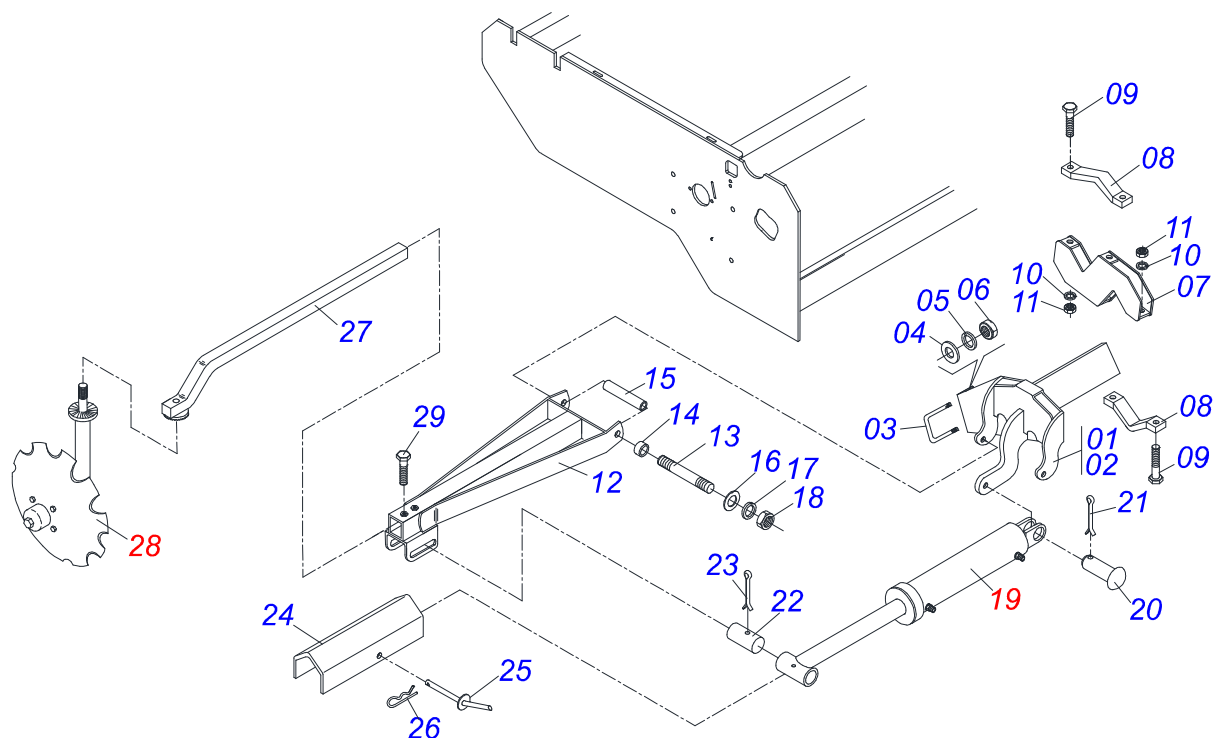


Item	Code	Description	See page	08	09	10	12
01	0501069245	RIGHT BOX FERTILIZER		01	00	00	00
02	0501069247	RIGHT BOX FERTILIZER		00	01	00	00
03	0501069249	RIGHT BOX FERTILIZER		00	00	01	00
04	0501069251	RIGHT BOX FERTILIZER		00	00	00	01
05	0501069246	LEFT BOX FERTILIZER		01	00	00	00
06	0501069248	LEFT BOX FERTILIZER		00	01	00	00
07	0501069250	LEFT BOX FERTILIZER		00	00	01	00
08	0501069252	LEFT BOX FERTILIZER		00	00	00	01
09	0501050272	DISTRIBUTOR OF RIGHT FERTILIZER		03	02	04	05
09A	0501110120	FERTILIZER DISTRIBUTOR BODY		08	09	10	12
09Aa	0502010596	FERTILIZER DISTRIBUTOR BODY		08	09	10	12
09Ab	0511013789	FERTILIZER TUBE		08	09	10	12
09B	0503013155	1/4" X 1.1/4" COTTERPIN		16	18	20	24
09C	0501017391	3/4" X 14.3" SQUARE SHAFT		06	05	08	10
09D	0503030275	AGRICULTURAL BEARING		16	18	20	24
09E	0501013774	GREASE SEAL		08	09	10	12
09F	0503030303	SUPPORT WASHER		08	09	10	12
09G	0501010637	FLAT WASHER		08	09	10	12
09H	0511017137	FLAT WASHER		08	09	10	12
09I	0503031164	RIGHT HELICAL CONDUTOR		04	04	05	06
09J	0521010309	SLEEVE INTER		08	09	10	12
09K	0503012826	CREASE FITTING		08	09	10	12
09L	0503011962	GREASE FITTING		08	09	10	12
10	0501050452	RIGHT FERTILIZER DISTRIBUTOR		01	00	00	00
10A	0501017393	3/4" X 18.1"SQUARE SHAFT		02	00	00	00
11	0501050458	RIGHT ABONO DISTRIBUTOR		00	01	00	00
11A	0511011253	3/4" X 18.4" LH SQUARE SHAFT		00	02	00	00
12	0501050454	RIGHT ABONO DISTRIBUTOR		00	00	01	00
12A	0501017394	3/4" X 19.4" SQUARE SHAFT		00	00	02	00
13	0501050460	RIGHT FERTILIZER DISTRIBUTOR		00	01	00	00
13A	0511011252	3/4" X 24.4"SQUARE SHAFT		00	01	00	00

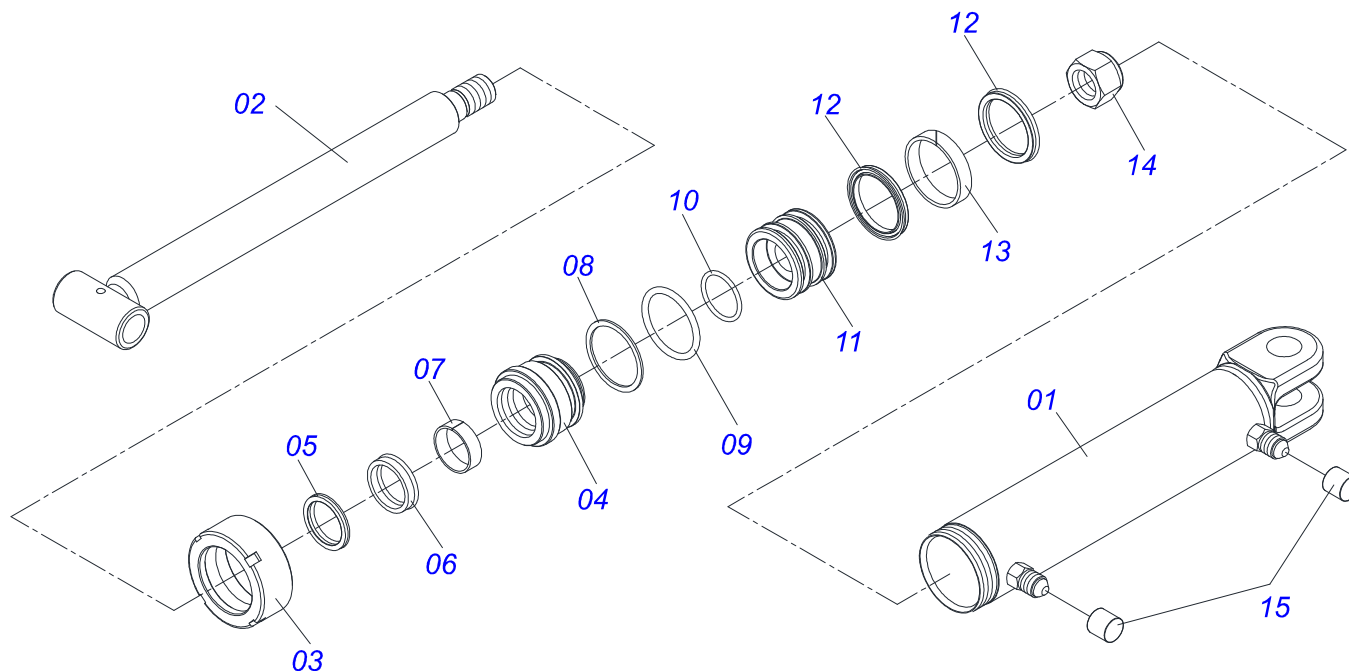


PST2E
FERTILIZER BOX

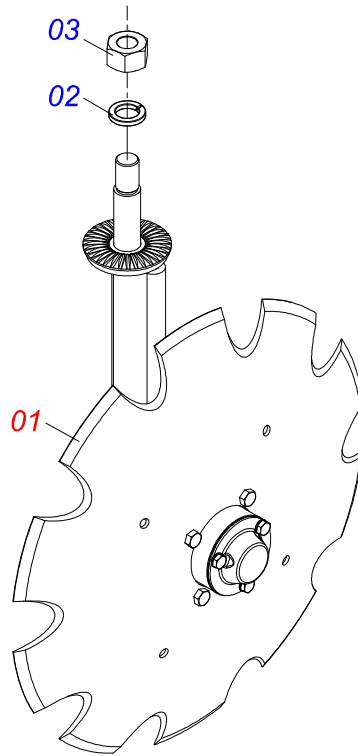
Item	Code	Description	See page	08	09	10	12
14	0501050456	RIGHT FERTILIZER DISTRIBUTOR		00	00	00	01
14A	0501017392	3/4" X 24.4"SQUARE SHAFT		00	00	00	02
15	0501050459	LH FERTILIZER METERING		00	01	00	00
15A	0511062153	3/4" X 13.6"SQUARE SHAFT		00	01	00	00
16	0501050273	LH FERTILIZER METERING		03	03	04	05
16A	0503031165	LEFT HELICAL CONDUCTOR		04	05	05	06
17	0501050453	LH FERTILIZER METERING		01	00	00	00
18	0501051714	LH FERTILIZER METERING		00	01	00	00
19	0501050455	LH FERTILIZER METERING		00	00	01	00
20	0501050457	LH FERTILIZER METERING		00	00	00	01
21	0501011643	3/8 X 1"BOLT		32	32	40	48
22	0503010025	3/8 SPRING WASHER		36	36	44	52
23	0503010026	3/8" NUT		40	40	48	48
24	0501050274	BOX BEARING ASSY		02	02	02	02
25	0501010161	1/2" X 1.1/4" BOLT		06	06	06	06
26	0503010019	1/2" SPRING WASHER		06	06	06	06
27	0503010060	1/2" NUT		06	06	06	06
28	0501017476	DRAGING		06	06	08	10
29	0503010397	5/16" X 1-3/4" BOLT		06	06	08	10
30	0503010337	5/16" NUT		24	24	28	32
31	0511016646	1" X 3/4" SQUARE SHAFT GUIDE		00	01	00	00
32	0521013058	3/4" SQUARE SHAFT 2" GUIDE		00	00	00	01
33	0511061759	22Z P12,70 FQ 3/4" GEAR		02	02	02	02
34	0521010691	AXLE FASTENER		02	02	02	02
35	0503010373	1/4" X 2" BOLT		02	02	02	02
36	0503010143	SPRING WASHER		02	02	02	02
37	0503010144	1/4" NUT		02	02	02	02
38	0503010834	1/2 X 1 BOLT		02	02	02	02
39	0501069259	FERTILIZER BOX COVER		02	00	00	00
40	0501069260	FERTILIZER BOX COVER		00	02	00	00
41	0501069261	FERTILIZER BOX COVER		00	00	02	00
42	0501069262	FERTILIZER BOX COVER		00	00	00	02
43	0503010421	5/16" X 1-1/2" BOLT		04	04	04	04
44	0521011116	COVER PIVOT BUSHING		04	04	04	04
45	0501010694	FLAT WASHER		18	18	18	18
46	0503010179	SPRING WASHER		04	04	04	04
47	0521011117	PIVOT SPRING AXLE		04	04	04	04
48	0501010984	FLAT WASHER		08	04	04	04
49	0521011120	COVER PIVOT SHAFT		04	04	04	04
50	0503010140	1/8" X 3/4" COTTERPIN		08	08	08	08
51	0503031329	COMPRES SPRING		04	04	04	04
52	0503011907	PMC 594-S NYLON LUG		02	02	02	02
53	0503011957	PMC 596-S NYLON LUG		02	02	02	02
54	0503010363	5/16" X 1" BOLT		08	08	08	08
55	0503031363	13 X 12 PLUG		08	08	08	08
56	0503031050	CURVED CONDUCTOR		04	04	04	04
57	0503010246	CLAMP		04	04	04	04
58	0503031900	FERTILIZER BEAN LIP		04	05	06	06
59	0503010751	C3/8" X 1.1/4" HEX BOLT G.5		04	04	04	04



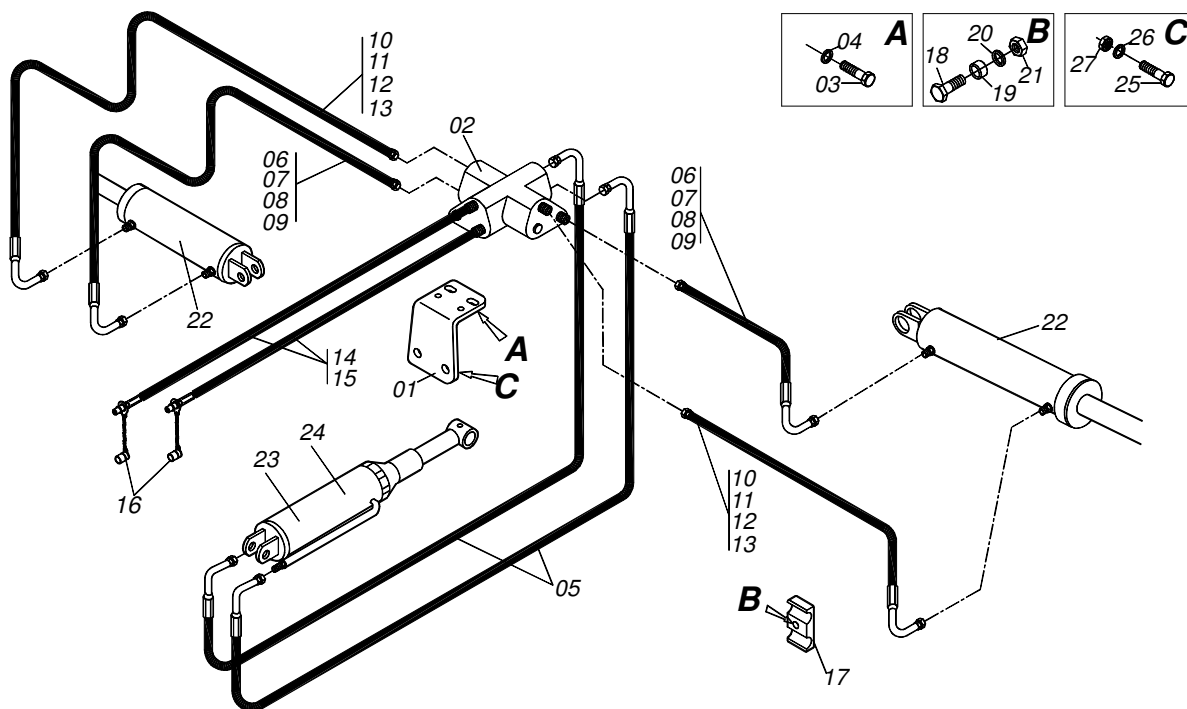
Item	Code	Description	See page	QT
01	0511062982	RH LARGER SUPPORT		01
02	0511062983	LH LARGER SUPPORT		01
03	0521014021	1/2" X 4.5" X 5.4" FASTENER		02
04	0511017302	FLAT WASHER		04
05	0503010019	1/2" SPRING WASHER		04
06	0503010060	1/2" NUT		04
07	0511062984	ROW MARKER SMALLER SUPPORT		02
08	0502010175	HITCH CLAMP		04
09	0501010216	3/4" X 4-1/2" BOLT		08
10	0503010023	SPRING WASHER		08
11	0503010014	3/4" NUT		08
12	0501069470	ROW MARKER ARM		02
13	0521017686	5/8 UNF X 5/8 UNF X 335 PRISONER		02
14	0521010479	SLEEVE ARTICULATION		04
15	0521017687	SPACING SLEEVE		02
16	0501012140	FLAT WASHER		04
17	0503010027	SPRING WASHER		04
18	0503012795	5/8" HEX SELF ADJUSTING NUT		04
19	0511040203	1.5" X 2.5" X 19" X 9" HYDRAULIC CYLINDER	15	02
20	0521010574	C0.9" X 3.3" COUPLING SHAFT		02
21	0503010571	1/4" X 1.1/2 COTTERPIN		02
22	0511015779	1" X 4.2" AXLE		02
23	0503010523	1/4" X 2" COTTERPIN		02
24	0511017592	11.8" X 1.6" TRANSPORT LOCK		02
25	0501068994	0.3" X 3.1" LOCK PIN		02
26	0503030168	HAIR PIN		02
27	0511062755	740 TURNBUCKLE		02
28	0501050633	MARKER DISC ASSY LINE	16	02
29	0503010962	5/8" X 1-1/4" BOLT		04



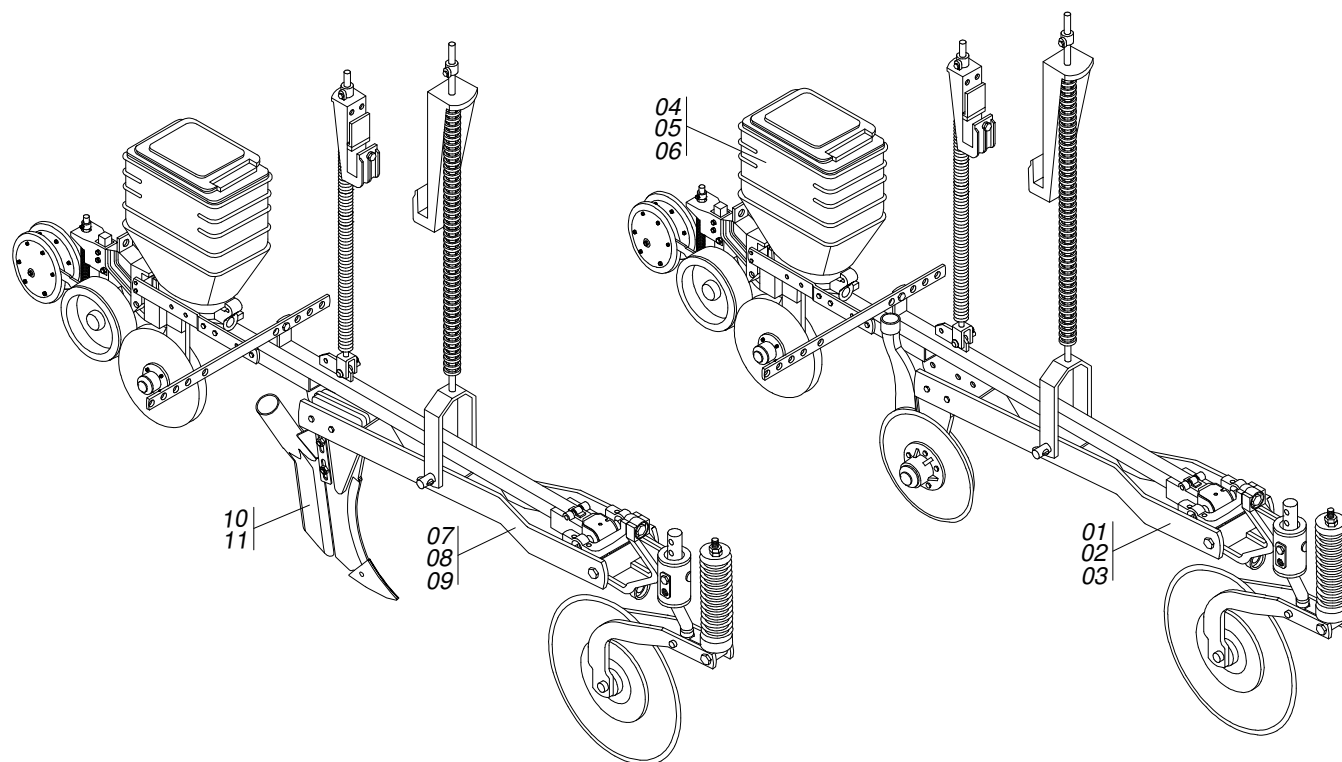
Item	Code	Description	See page	QT
01	0511062810	2.5" X 15"CYLINDER CASE		01
02	0501065662	HYDRAULIC CYLINDER TURNBUCKLE		01
03	0502010471	MOBILE COVER		01
04	0502010780	RING SUPPORT		01
05	0503010163	D-1500 SCRAPER RING		01
06	0503010989	1870-1500-375-B GASKET		01
07	0503010970	W1-1650-500 PK O'RING G.E		01
08	0503011058	8-330 BACK-UP RING		01
09	0503010161	2-330 N 3006 9B O'RING		01
10	0503010285	2-222 N 3006-9B O'RING		01
11	0502010783	1.5" X 2.5" PISTON		01
12	0503010160	2500 2000 GASKET		02
13	0503010973	W2-2500-500 PK O'RING G.E		01
14	0503010063	1" SELF-ALIGNING NUT		01
15	0503030384	CON N-001 PLUG		02
16	0501032666	HYDRAULIC CYLINDER REPAIR KIT		01



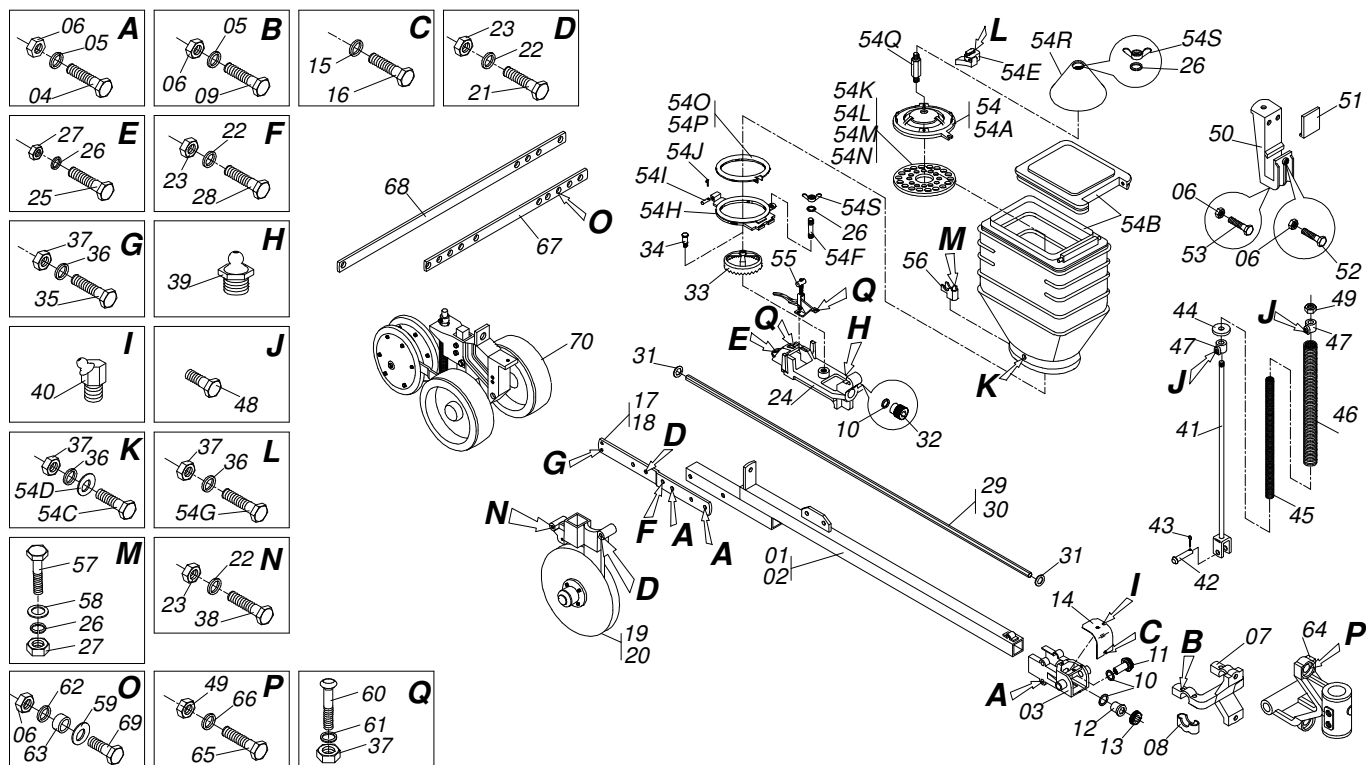
Item	Code	Description	See page	QT
01	0511053904	DISC LINE MARKER		01
02	0503010023	SPRING WASHER		01
03	0503010014	3/4" NUT		01



Item	Code	Description	See page	08	09	10	12
01	0511011311	VALV. SUPPORT		01	01	01	01
02	0501054589	SEQUENCE VALV ASSY	11	01	01	01	01
03	0503010256	3/8" X 3/4" BOLT		02	02	02	02
04	0503010025	3/8 SPRING WASHER		02	02	02	02
05	0501080464	3/8" X 37.4" TC-TC HOSE ASSY		02	02	02	02
06	0501080451	3/8" X 94.5" TR-TC HOSE ASSY		02			
07	0501080401	3/8" X 106" TR-TC HOSE ASSY			02		
08	0501080414	3/8" X 110.2" TR-TC HOSE ASSY			02		
09	0501080527	3/8" X 130" TR-TC HOSE ASSY				02	
10	0501080382	3/8" X 102" TR-TC HOSE ASSY		02			
11	0501080526	3/8" X 114" TR-TC HOSE ASSY			02		
12	0501080397	3/8" X 120" TR-TC HOSE ASSY			02		
13	0501080720	3/8" X 137" TR-TC HOSE ASSY				02	
14	0501080553	3/8" X 126" TC-TM HOSE ASSY		02	02		
15	0501080365	3/8" X 137" HOSE			02	02	
16	0501053834	MALE QUICK COUPLING AGRICULTURAL WITH COVER - 1/2 NPT		02	02	02	02
17	0502011472	UPPER CLAMP BODY		04	04	04	04
18	0503010740	1/2" X 2" BOLT		04	04	04	04
19	0521011110	0.7" X .5" X 0.4" SPACER		04	04	04	04
20	0503010019	1/2" SPRING WASHER		04	04	04	04
21	0503010060	1/2" NUT		04	04	04	04
22	0511040203	1.5" X 2.5" X 19" X 9" HYDRAULIC CYLINDER	15	02	02	02	02
23	0501049849	2.0" X 4.5" X 25.8" HYDRAULIC CYLINDER	7		01		
24	0501049734	2" X 4" X 20" X 24.3" HYDRAULIC CYLINDER	8	01	01	01	
25	0503010232	5/8" X 1.3/4" BOLT		02	02	02	02
26	0503010027	SPRING WASHER		02	02	02	02
27	0503010013	5/8" NUT		02	02	02	02



Item	Code	Description	See page	QT
01	0501049135	RH SHORT FERTILIZER ROW		01
02	0501048763	LH SHORT FERTILIZER ROW		01
03	0501048764	RH LONG FERTILIZER ROW ASSY		01
04	0511040071	RH SHORT SEEP ROW ASSY		01
05	0511040072	LH SHORT SEEP ROW ASSY		01
06	0511040073	LONG SEEP ROW ASSY		01
07	0501049167	SPINDLE RIGHT SHORT FERT. ROW ASSY		01
08	0501049168	SPINDLE LEFT SHORT FERT. ROW ASSY		01
09	0501049172	SPINDLE LONG SHORT FERT. ROW ASSY		01
10	0501052767	SCARIFIER SPINDLE		01
11	0501052768	SCARIFIER SPINDLE		01



Item	Code	Description	See page	QT
00	0501053679	SHORT SEEP ROW ARM		01
00A	0511040072	LH SHORT SEEP ROW ASSY		01
00B	0511040073	LONG SEEP ROW ASSY		01
01	0511061761	SHORT SEEP ROW ARM		01
02	0511061762	LONG SEEP ROW ARM		01
03	0502011830	ARTICULACCION SUPPORT		01
04	0503010752	1/2" X 3.1/2" BOLT		04
05	0503011440	SPRING WASHER		09
06	0503010060	1/2" NUT		11
07	0502011561	BEARING SEMI		01
08	0502010426	UPPER BEARING SEMI		02
09	0503010479	1/2" X 3" BOLT		04
10	0501013354	FLAT WASHER		03
11	0502011400	18Z CONICAL GEAR		01
12	0502011296	1/2 HEX AXLE BEARING SLEEVE		01
13	0502011505	18Z CONICAL GEAR		01
14	0521018079	SEEP ROW DRAWBAR COVER		01
15	0503011441	SPRING WASHER		02
16	0503010298	1/4" X 1/2" BOLT		02
17	0501013413	RIGHT SIDE BASE		01
18	0501013414	LEFT SIDE BASE		01
19	0501052978	RIGHT 15" X 15" DOUBLE DISC		01
20	0501052979	LEFT 15" X 15" DOUBLE DISC		01
21	0503010723	7/16" X 4" BOLT		02
22	0503011446	SPRING WASHER		04
23	0503010244	7/16" NUT		04
24	0502011212	SEED BOX FIXING BASE		01
25	0503010751	C3/8" X 1.1/4" HEX BOLT G.5		01
26	0503010025	3/8 SPRING WASHER		03
27	0503010026	3/8" NUT		01
28	0503010851	7/16" X 3.1/2" BOLT		01

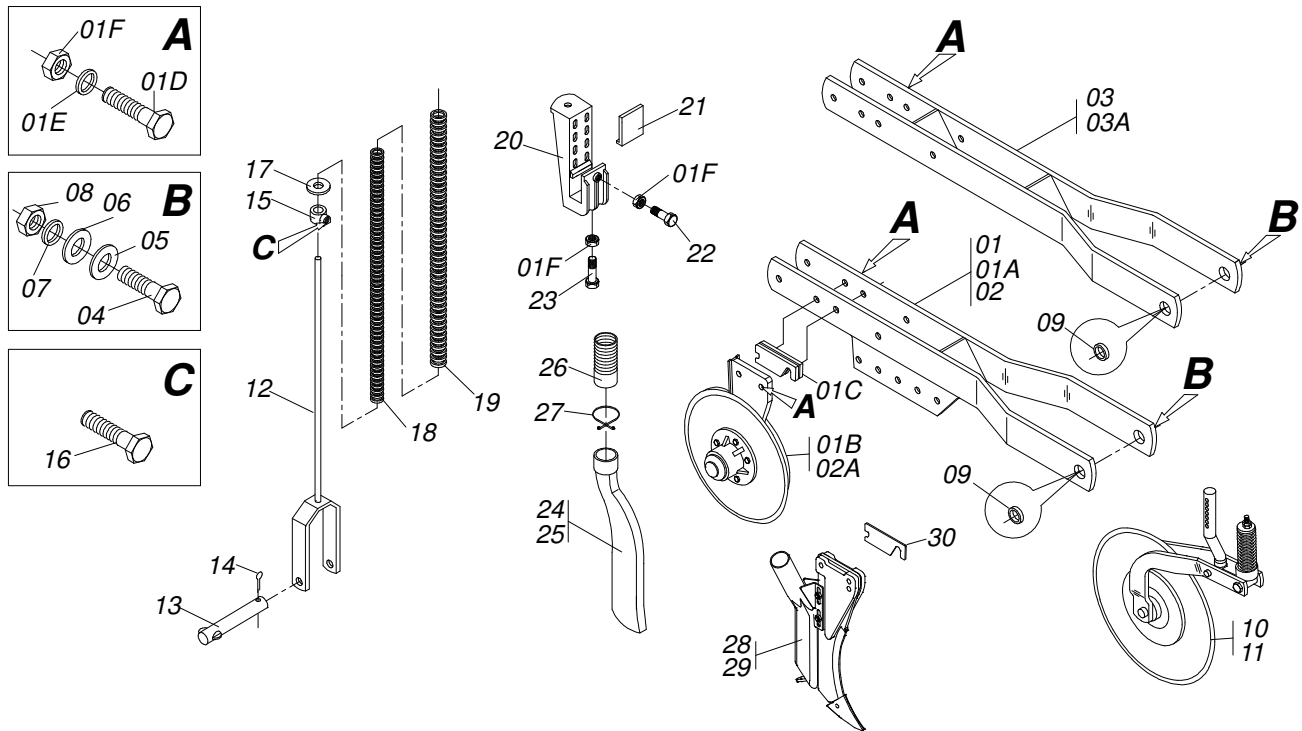
Item	Code	Description	See page	QT
29	0521018077	1/2" X 58.6" HEX AXLE		01
30	0521018078	1/2" X 66.5" HEX AXLE		01
31	0501013352	FLAT WASHER		02
32	0502011411	10Z CONICAL GEAR		01
33	0502011418	40Z CONICAL GEAR		01
34	0511018700	AXLE		01
35	0503010848	5/16" X 3.1/2" BOLT		02
36	0503011444	SPRING WASHER		08
37	0503010337	5/16" NUT		07
38	0503010850	7/16" X 3" BOLT		01
39	0503010002	1800 GREASE FITTING		02
40	0503011099	GREASE FITTING		02
41	0511060376	SEEP SPRING GUIDE		01
42	0521010542	COUPLING SHAFT		01
43	0503010257	1/8" X 1" COTTERPIN		01
44	0501013753	FLAT WASHER		01
45	0503031339	1" X 19" X 0.1" COMPRESSION SPRING		01
46	0503031340	1.7"X 19" X 0.3" COMPRESSION SPRING		01
47	0502040725	SPRING BUSHING LOCK GUIDE		02
48	0501018535	1/2 X 1 BOLT		02
49	0503010013	5/8" NUT		01
50	0502010890	SPRING ROD SUPPORT		01
51	0502010891	SPRING CHOCK SUPPORT VARON		01
52	0503030679	1/2" X 1-1/4" BOLT		01
53	0503030678	1/2"X1-1/2"BOLT		01
54	0501052234	SEED SISTEM ASSY		01
54A	0502020324	SEED BOX SUPPORT		01
54B	0503031508	COVER GREEN BEAM SEED YELLOW		01
54C	0503010178	5/16" X 7/8" BOLT		04
54D	0501010694	FLAT WASHER		04
54E	0501051094	SEED DISTRIB ASSY WITH DOUB PULLEY		01
54F	0503030083	3/8" X 3/8" X 1.6" STUD		01
54G	0503010675	5/16" X 2.1/4" BOLT		01
54H	0502010408	SEED DISC LOWER TRAIL		01
54I	0521010536	0.3" X 3.8" COUPLING SHAFT		01
54J	0503010140	1/8" X 3/4" COTTERPIN		01
54K	0502020564	SOYBEAN DISC WITH 100 HOLES		01
54L	0502020565	SOYBEAN DISC WITH 90 HOLES		01
54M	0502020518	CORN DISC		01
54N	0502020519	CORN DISC		01
54O	0501013355	DISC SEAT		01
54P	0501013356	DISC SEAT		01
54Q	0511013590	HEX STUD 3/8" X 3/8"		01
54R	0511013494	DEFLECTOR		01
54S	0503010209	3/8" UNC BUTTERFLY NUT		01
55	0501054710	SEMIFINISHED FAST CLOSING SET		01
56	0531018622	BOLT FAST SUPPORT UPPER		01
57	0501010096	3/8" X 2" BOLT		01
58	0501010984	FLAT WASHER		01
59	0511017302	FLAT WASHER		01
60	0503011953	5/16" X 1" BOLT		01
61	0503010179	SPRING WASHER		01
62	0503010019	1/2" SPRING WASHER		01
63	0521010505	13,50 X 19,00 X 21,50 SLEEVE		01
64	0502011567	FERTILIZER ROW SUPPORT		01
65	0503010762	5/8" X 3-12" BOLT		02
66	0503010027	SPRING WASHER		02
67	0501013714	STABILIZER BAR		01
68	0501018652	CORN STABILIZER BAR		01



PST2E
SEED ROW

Page 19
0909091009

Item	Code	Description	See page	QT
69	0503010740	1/2" X 2" BOLT		01
70	0501050932	DEPTH CONTROL WHEELS ASSY		01

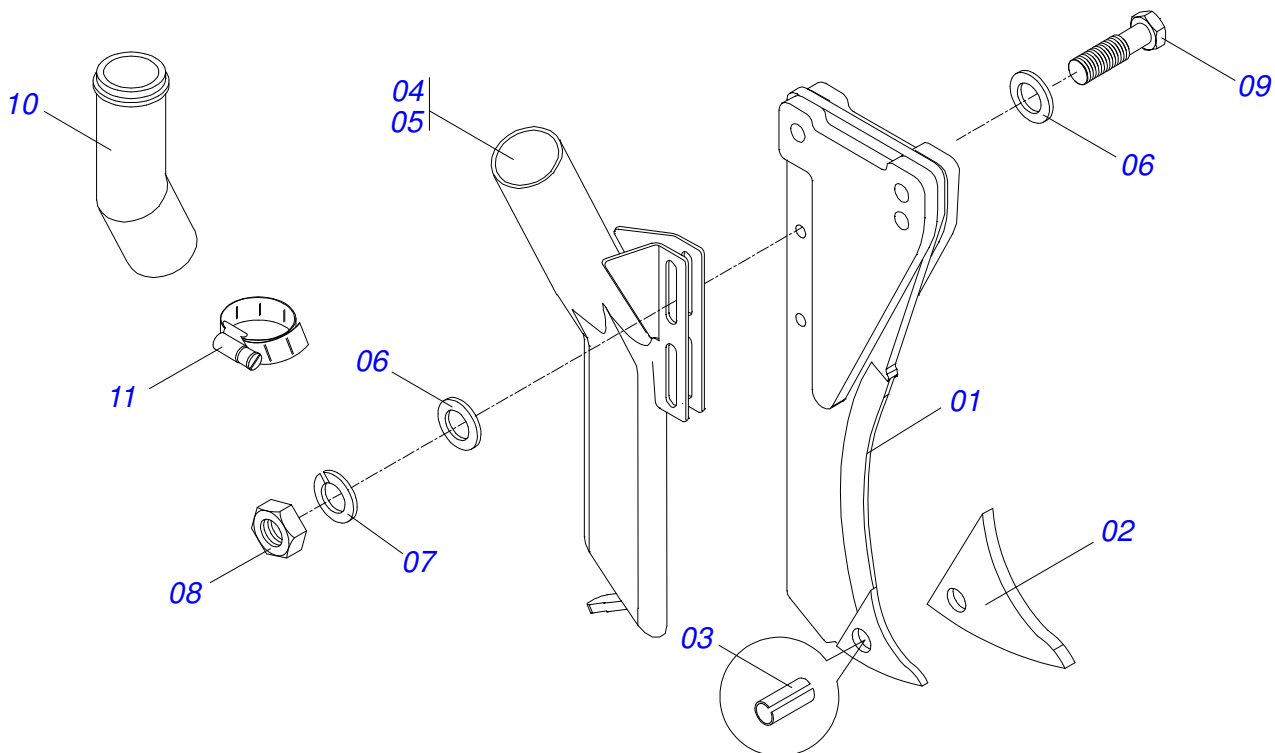


Item	Code	Description	See page	QT
00A	0501049135	RH SHORT FERTILIZER ROW		01
00B	0501048763	LH SHORT FERTILIZER ROW		01
00C	0501048764	RH LONG FERTILIZER ROW ASSY		01
01	0501052286	RH SHORT FERTILIZER ROW ARM		01
01A	0511064230	SHORT FERTILIZER ROW ARM		02
01B	0501052976	15 X 15 RIGHT FERT UNAL DOUB-DISC ASSY		02
01C	0511018662	SPACING PLATE		12
01D	0503010547	1/2" X 4" BOLT		06
01E	0503011440	SPRING WASHER		06
01F	0503010060	1/2" NUT		12
02	0501052430	LH SHORT FERTILIZER ROW ARM		01
02A	0501052977	DDD LEFT FERTILIZER 15 X 15 ASSY		01
03	0501052287	LONG FERTILIZER ROW ARM		01
03A	0511064232	LONG FERTILIZER ROW ARM		01
04	0501010066	3/4" X 9" BOLT		06
05	0521017831	SUPPORT SLEEVE SPACER		06
06	0511017232	FLAT WASHER		06
07	0503010023	SPRING WASHER		03
08	0503010014	3/4" NUT		03
09	0521010447	0.7" X 1" X .7" SLEEVE		02
10	0511044549	18" COULTER BLADE ASSY FOR SHORT ROW		01
11	0511044577	BLADE DISC ASSY		01
12	0501069303	SPRING ROD		03
13	0521010642	FERT.SP.RING GUIDE FIXER COUPL SHAFT		03
14	0503010257	1/8" X 1" COTTERPIN		03
15	0502040725	SPRING BUSHING LOCK GUIDE		03
16	0501018535	1/2 X 1 BOLT		03
17	0501013753	FLAT WASHER		03
18	0503031339	1" X 19" X 0.1" COMPRESSION SPRING		03
19	0503031340	1.7"X 19" X 0.3" COMPRESSION SPRING		03
20	0502011450	SPRING ROD SUPPORT		03



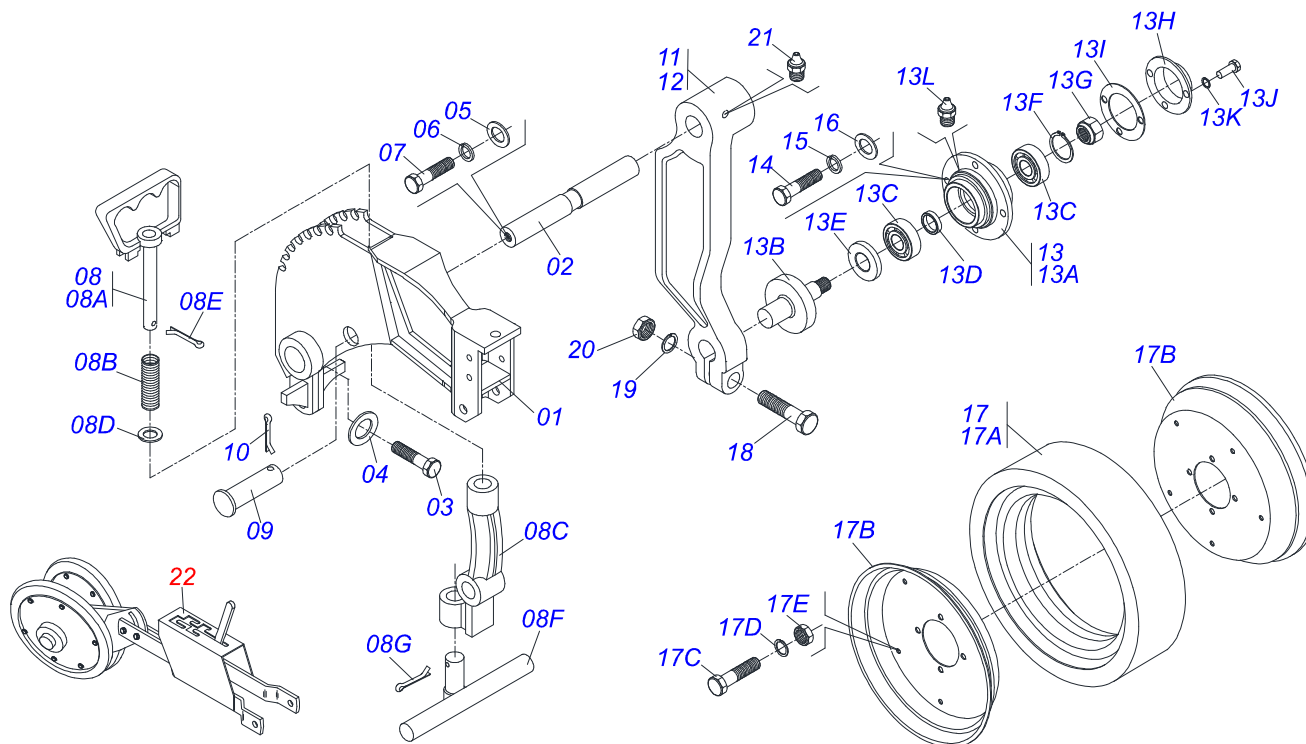
PST2E
FERTILIZER ROW ASSY

Item	Code	Description	See page	QT
21	0502010891	SPRING CHOCK SUPPORT VARON		03
22	0503030679	1/2" X 1-1/4" BOLT		03
23	0503030678	1/2" X 1-1/2" BOLT		03
24	0503030392	LEFT FERTILIZER SOCKET		02
25	0503030391	RIGHT FERTILIZER SOCKET		01
26	0503030408	10 X 2 X 390 HOSE		03
27	0503031076	2" HOSE CLAMP		06
28	0501052767	SCARIFIER SPINDLE		01
29	0501052768	SCARIFIER SPINDLE		02
30	0511017969	0.1" SPACING PLATE		02



Item	Code	Description	See page	QT
00	0501052767	SCARIFIER SPINDLE		01
00.	0501052768	SCARIFIER SPINDLE		01
01	0501110231	SCARIFIER HEAD WITH SPIKE 0061		01
02	0502070061	POINT SUBSOILER		01
03	0503011373	0.4" X 1.1" SPRING PIN		01
04	0511061769	FERTILIZER CONDUCTOR RIGHT		01
05	0511061770	FERTILIZER CONDUCTOR LEFT		01
06	0501010984	FLAT WASHER		04
07	0503010025	3/8 SPRING WASHER		02
08	0503010026	3/8" NUT		02
09	0503010751	C3/8" X 1.1/4" HEX BOLT G.5		02
10	0503031050	CURVED CONDUCTOR		01
11	0503010246	CLAMP		01

DEPTH CONTROL WHEELS ASSY



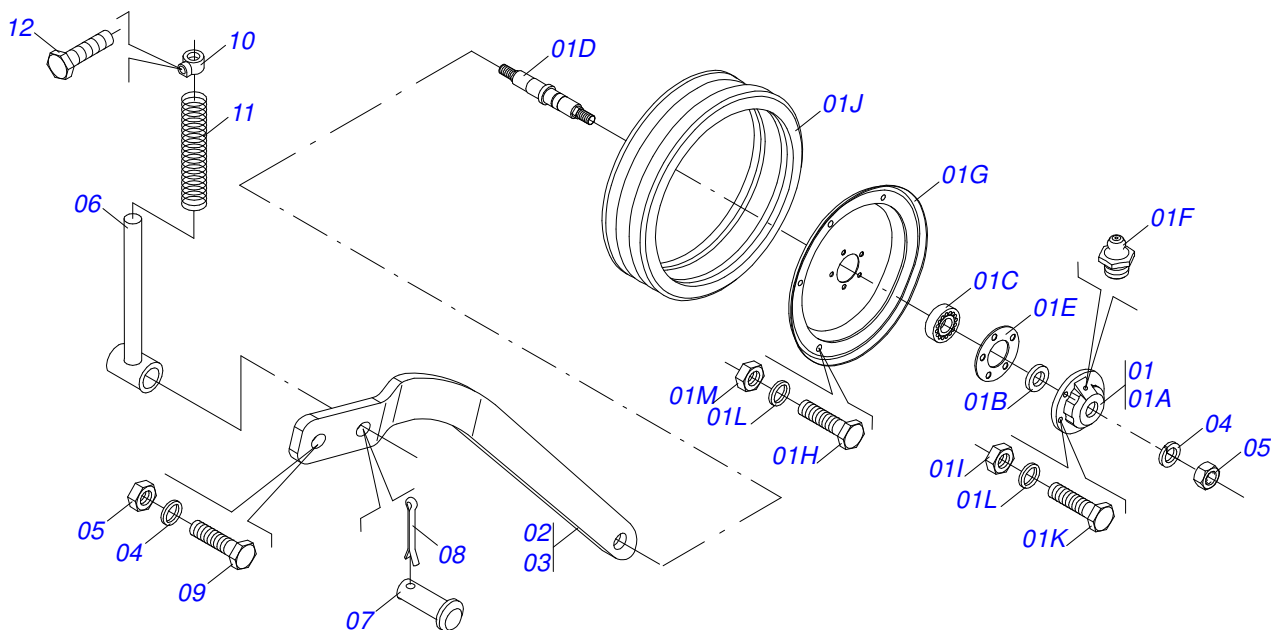
Item	Code	Description	See page	QT
01	0502012086	DEPTH CONTROL SUPPORT		01
02	0511012244	DEPTH CONTROL WHEEL AXLE		01
03	0503010256	3/8" X 3/4" BOLT		01
04	0521015818	FLAT WASHER		04
05	0511017302	FLAT WASHER		02
06	0503010019	1/2" SPRING WASHER		02
07	0503010834	1/2 X 1 BOLT		02
08	0501052297	DEPTH WHEELS REGULATOR ASSY		01
08A	0502011689	1/8" DEPTH CONTROL LEVER		01
08B	0503030975	0.9" X 1.5" X 0.1" SPRING		01
08C	0502011688	SEED SIST CONTROL DEPTH LEVER		01
08D	0511015976	FLAT WASHER		01
08E	0503010257	1/8" X 1" COTTERPIN		01
08F	0511060699	DEPTH WHEEL STOP		01
08G	0503010071	3/16" X 1" COTTERPIN		01
09	0521019093	0.6" X 2.7" PIVOT SHAFT		01
10	0503010778	1/8" X 1.1/2" COTTERPIN		01
11	0502011699	RIGHT DEPTH WHEEL ARM		01
12	0502011698	LEFT DEPTH WHEEL ARM		01
13	0501052627	ASSY DEPTH WHEEL BOX		02
13A	0502011907	DEPTH CONTROL WHEEL HUB		02
13B	0511060927	DEPTH CONTROL AXLE WITH DUST CLOAK		02
13C	0503010269	6204 BALL BEARING		04
13D	0521010489	SLEEVE SPACER		02
13E	0503010689	SEAL 00763-BR		02
13F	0503011105	SEAL RING		02
13G	0503010878	5/8" SELF ALIGNING NUT		02
13H	0521019178	COVER DEPTH		02
13I	0503030757	2.9" X 2" X 0.02" JOINT		02
13J	0503010298	1/4" X 1/2" BOLT		16
13K	0503011441	SPRING WASHER		06



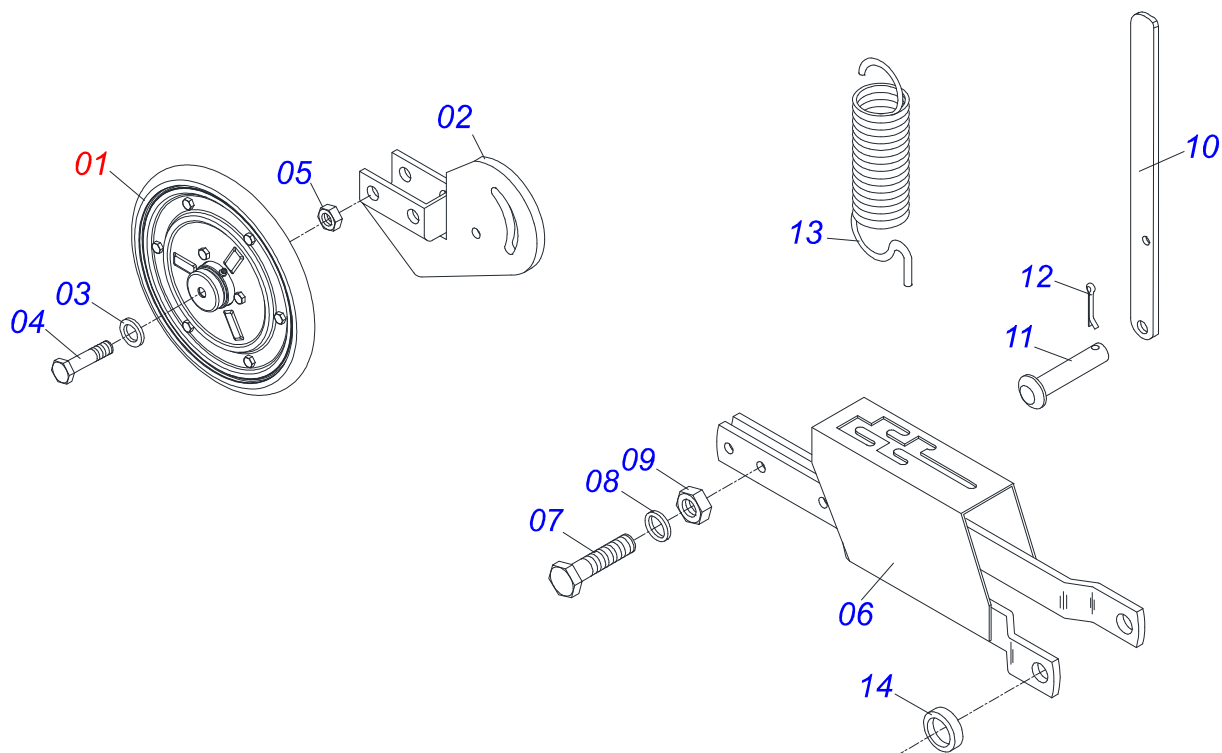
DEPTH CONTROL WHEELS ASSY

0501052945

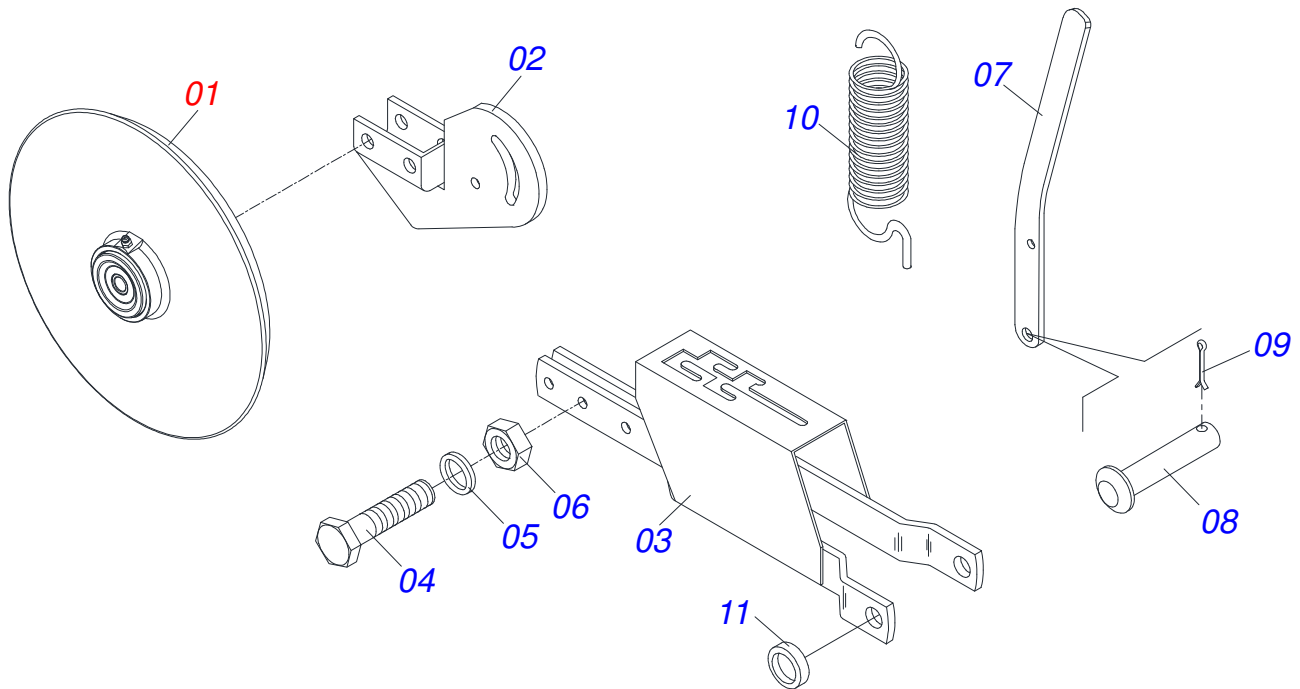
Item	Code	Description	See page	QT
13L	0503010691	1/4" GREASE FITTING		02
14	0503010358	5/16" X 5/8" BOLT		08
15	0503010179	SPRING WASHER		08
16	0503013816	5/16" LOCKNUT		08
17	0501052538	DEPTH BAND WITH ARMS		02
17A	0503030551	DEPTH CONTROL WHEEL RUBBER BAND		02
17B	0521010832	RIM FLANGE		04
17C	0503010298	1/4" X 1/2" BOLT		10
17D	0503010143	SPRING WASHER		10
17E	0503010144	1/4" NUT		10
18	0503010740	1/2" X 2" BOLT		02
19	0503011440	SPRING WASHER		02
20	0503010060	1/2" NUT		02
21	0503010002	1800 GREASE FITTING		04
22	0501052935	PRESS WHEELS ASSY	24	01



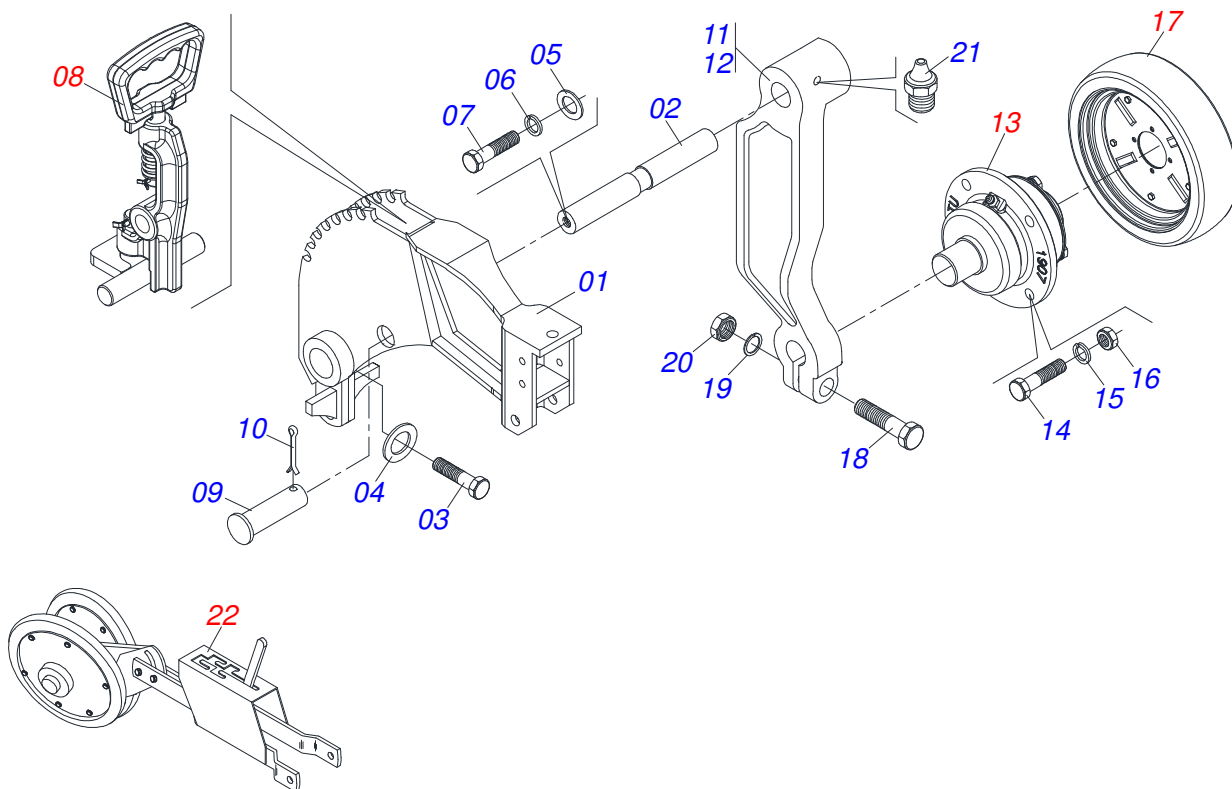
Item	Code	Description	See page	QT
00	0501050464	CONCAVE PRESS WHELL ASSY	23	01
01	0501050084	CONCAVE PRESS WHELL		01
01A	0502020140	HUB		02
01B	0503010272	SEAL 00715-BA		02
01C	0503010269	6204 BALL BEARING		02
01D	0501015883	COMPACT WHEEL AXLE		01
01E	0503030143	3.3" X 1.9" X 0.1" JOINT		02
01F	0503010691	1/4" GREASE FITTING		02
01G	0501015919	PRESS WHEEL RIM		02
01H	0503010743	1/4" X 1-1/4" BOLT		05
01I	0503010144	1/4" NUT		05
01J	0503030400	DEPTH CONTROL WHEEL RUBBER BAND		01
01K	0503010298	1/4" X 1/2" BOLT		05
01L	0503010143	SPRING WASHER		10
01M	0503013814	1/4" NC LOCKNUT		05
02	0501013655	RIGHT ARM		01
03	0501013656	LEFT ARM		01
04	0503010019	1/2" SPRING WASHER		05
05	0503010060	1/2" NUT		05
06	0501069979	SPRING REGULATOR		01
07	0521013310	0.5" X 3" COUPLING SHAFT		01
08	0503010071	3/16" X 1" COTTERPIN		01
09	0503010479	1/2" X 3" BOLT		01
10	0502040157	TRIP SPRING GUIDE LOCK BUSHING		02
11	0503030399	1"X5.1"X 0.2" COMPRESSION SPRING		01
12	0503010834	1/2 X 1 BOLT		02



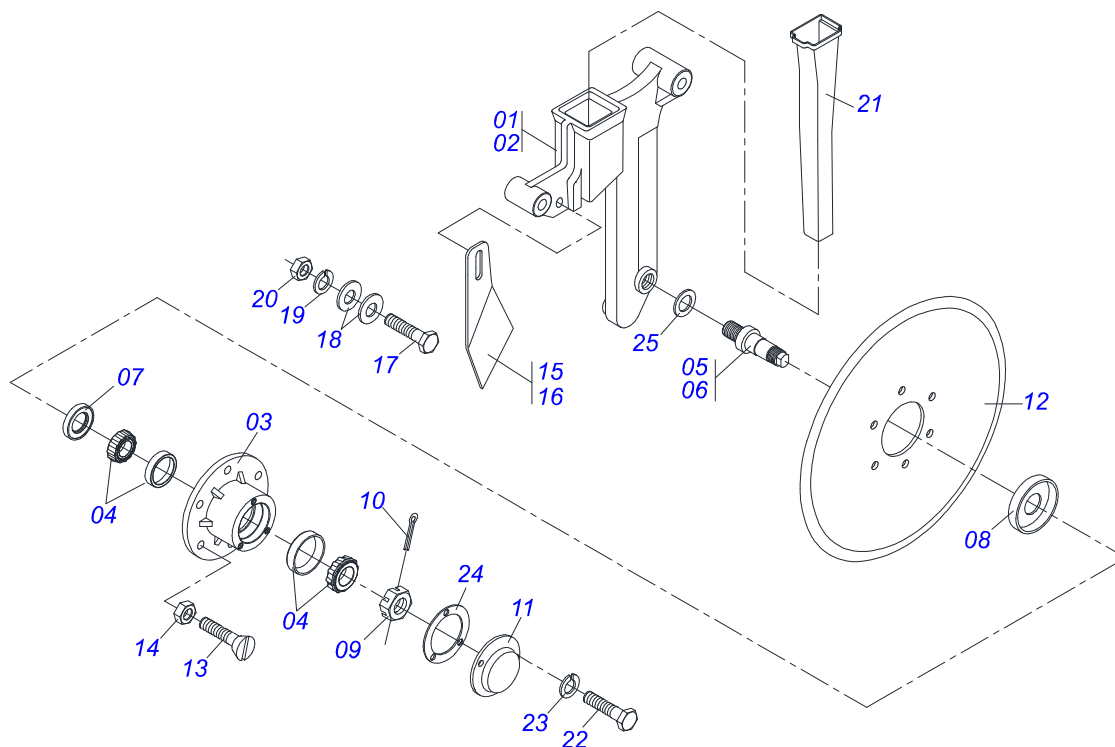
Item	Code	Description	See page	QT
01	0501052908	COMPACTOR WHEEL WITH BEARING		02
02	0502011757	PRESS REGULATOR		01
03	0521014508	FLAT WASHER		10
04	0503010706	1/2" X 4.1/2" BOLT		02
05	0503011336	1/2" HEX SELF ADJUSTING NUT		02
06	0511060673	PRESS WHEELS REGULATOR		01
07	0503010849	3/8" X 1-1/2" BOLT		02
08	0503010025	3/8 SPRING WASHER		02
09	0503010026	3/8" NUT		02
10	0541016906	PRESS WHEELS REGULATOR BODY		01
11	0521010539	0.3" X 1.2" COUPLING SHAFT		01
12	0503010257	1/8" X 1" COTTERPIN		01
13	0503030805	1.6" X 6" X 0.2" TRACTION SPRING		01
14	0521010480	1" X 1.2" X 0.4" ARTICULAT SLEEVE		02



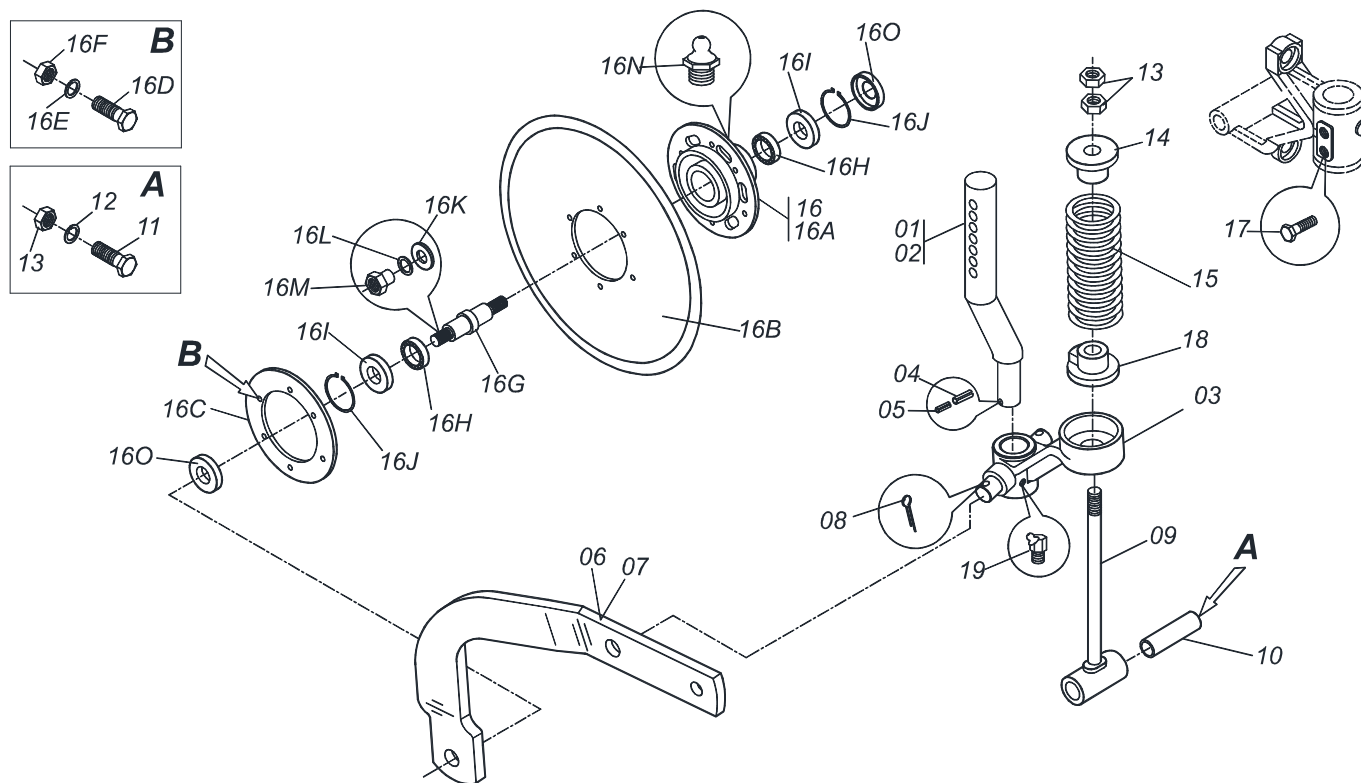
Item	Code	Description	See page	QT
01	0501052957	IRON V PRESS WHEELS		02
02	0502011757	PRESS REGULATOR		01
03	0511060673	PRESS WHEELS REGULATOR		01
04	0503010849	3/8" X 1-1/2" BOLT		02
05	0503010025	3/8 SPRING WASHER		02
06	0503010026	3/8" NUT		02
07	0521013398	PRESS WHEELS REGULATOR BODY		01
08	0521010539	0.3" X 1.2" COUPLING SHAFT		01
09	0503010257	1/8" X 1" COTTERPIN		01
10	0503030805	1.6" X 6" X 0.2" TRACTION SPRING		01
11	0521010480	1" X 1.2" X 0.4" ARTICULAT SLEEVE		02



Item	Code	Description	See page	QT
01	0502012086	DEPTH CONTROL SUPPORT		01
02	0511012244	DEPTH CONTROL WHEEL AXLE		01
03	0503010256	3/8" X 3/4" BOLT		01
04	0521015818	FLAT WASHER		04
05	0511017302	FLAT WASHER		02
06	0503010019	1/2" SPRING WASHER		02
07	0503010834	1/2 X 1 BOLT		02
08	0501052297	DEPTH WHEELS REGULATOR ASSY		01
09	0521019093	0.6" X 2.7" PIVOT SHAFT		01
10	0503010778	1/8" X 1.1/2" COTTERPIN		01
11	0502011699	RIGHT DEPTH WHEEL ARM		01
12	0502011698	LEFT DEPTH WHEEL ARM		01
13	0501052627	ASSY DEPTH WHEEL BOX		02
14	0503010358	5/16" X 5/8" BOLT		08
15	0503010179	SPRING WASHER		08
16	0503013816	5/16" LOCKNUT		08
17	0501052538	DEPTH BAND WITH ARMS		02
18	0503010740	1/2" X 2" BOLT		02
19	0503011440	SPRING WASHER		02
20	0503010060	1/2" NUT		02
21	0503010002	1800 GREASE FITTING		02
22	0501053037	IRON DEPTH CONTR. WHEEL ASSY	25	01



Item	Code	Description	See page	QT
00	0501052978	RIGHT 15" X 15" DOUBLE DISC		01
00.	0501052979	LEFT 15" X 15" DOUBLE DISC		01
01	0502011184	15" X 15" DOUBLE DISC SUPPORT		01
02	0502011183	15"X15" LW SEED UNAL DOUB-DISC SUPP		01
03	0502011930	DOUBLE DISC COULTER BOX		02
04	0503010598	30204 BALL BEARING		04
05	0521019154	RIGHT DOUB DISC HUB		01
06	0521019148	LEFT DOUBLE DISC HUB		01
07	0503011112	SEAL 02376-BRG		02
08	0511011927	DUST CLOAK		02
09	0503030282	3/4" CASTLE NUT		02
10	0503010257	1/8" X 1" COTTERPIN		02
11	0521019178	COVER DEPTH		02
12	0603022042	13" X 0.12" PLAIN COULTER BLADE		02
13	0503010546	5/16" X 7/8" BOLT		12
14	0503010337	5/16" NUT		12
15	0501017541	RH DOUBLE DISC SCRAPER		01
16	0501017542	LH DOUBLE DISC SCRAPER		01
17	0503010751	C3/8" X 1.1/4" HEX BOLT G.5		01
18	0501010984	FLAT WASHER		02
19	0503010025	3/8 SPRING WASHER		01
20	0503010026	3/8" NUT		01
21	0503030482	SEED SOCKET		01
22	0503013758	1/4" X 1-1/2" BOLT		06
23	0503010143	SPRING WASHER		06
24	0503030757	2.9" X 2" X 0.02" JOINT		02
25	0511015098	FLAT WASHER		02



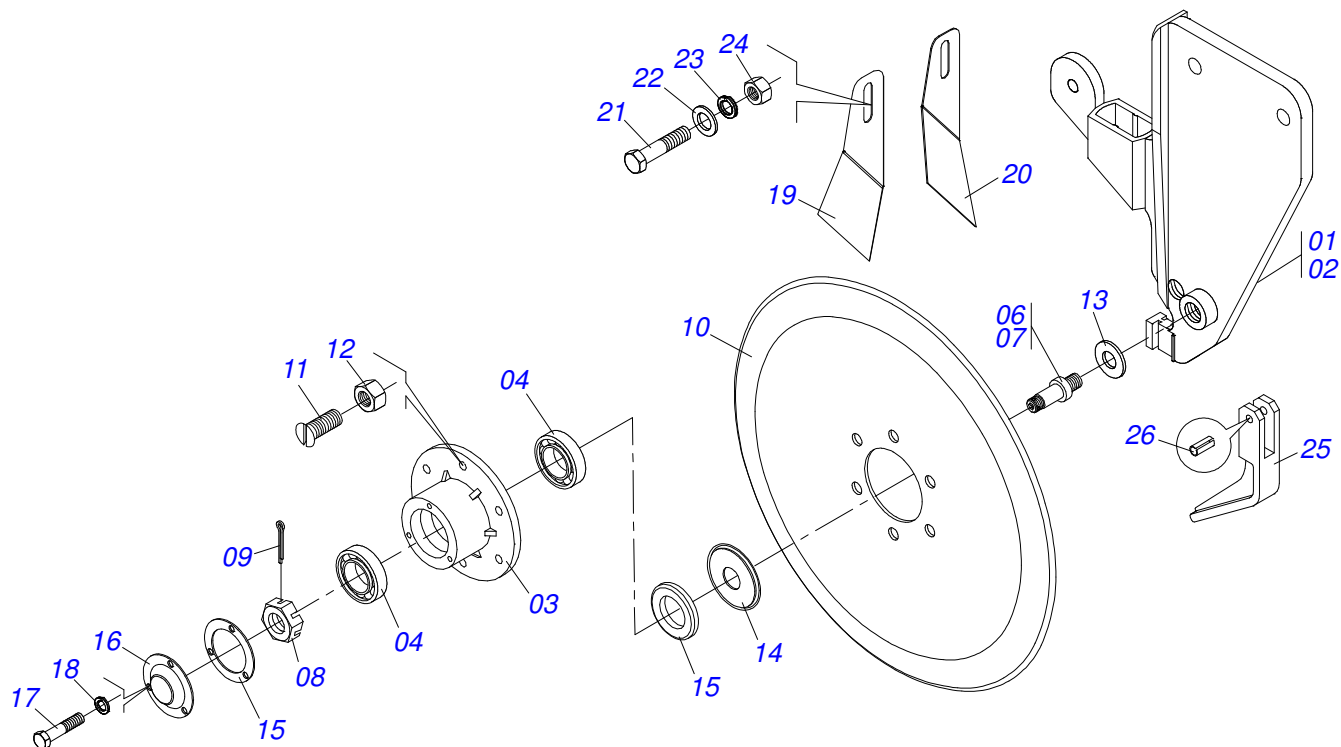
Item	Code	Description	See page	QT
00	0501048686	18" BLADE DISC FOR SHORT LINE ASSY		01
00A	0501048669	18" BLADE DISC FOR SHORT LINE ASSY		01
01	0521013897	LONG ROW BLADE DISC FIXATION AXLE,		01
02	0521013898	SHORT ROW BLADE DISC FIXATION AXLE,		01
03	0502011474	BLADE DISC SUPPORT		01
04	0503010361	SPRING PIN		01
05	0503010756	0.2" X 2.4" SPRING PIN		01
06	0521014137	RIGHT ARM OF THE BLADE DISC		01
07	0521014138	SUPPORT ARM LEFT BALDE DISC		01
08	0503010038	3/16 X 2 COTTERPIN		02
09	0501067323	SPRING REGULATOR		01
10	0521010452	SLEEVE		01
11	0501010370	3/4" X 5-1/2" BOLT		01
12	0503010023	SPRING WASHER		01
13	0503010014	3/4" NUT		03
14	0502020393	SPRING UPPER SUPPORT		01
15	0503031341	2.7 X 8 X 0.5 COMPRESSION SPRING		01
16	0501052139	18 BLADE DISC WITH FLAT PLAN DISC		01
16A	0502011562	DC PST ACT/ULTR BOX		01
16B	0603026013	PLAIN COULTER BLADE		01
16C	0502020641	BLADE DISC FLANGE		01
16D	0503010371	5/16" X 1" BOLT		06
16E	0503010179	SPRING WASHER		06
16F	0503010337	5/16" NUT		06
16G	0521013610	BLADE DISC HUB AXLE		01
16H	0503010276	6206 BALL BEARING		02
16I	0503012417	SEAL		02
16J	0503011800	SEAL RING		02
16K	0511015346	FLAT WASHER		02
16L	0503010012	1" SPRING WASHER		02
16M	0521013510	3/4" NUT		02



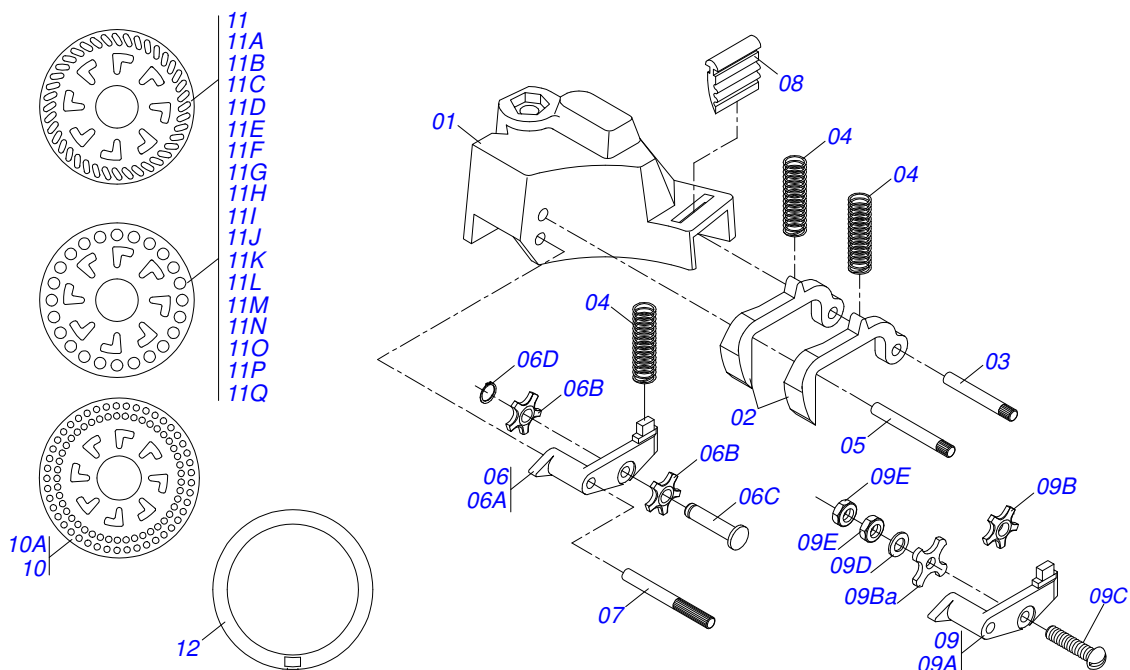
PST2E
18" BLADE DISC ASSY

Page 28
0909090026

Item	Code	Description	See page	QT
16N	0503010691	1/4" GREASE FITTING		01
16O	0521015376	DUST CLOAK		02
17	0511016156	5/8" X 1.1/2" BOLT		02
18	0502020394	SPRING SUPPORT		01
19	0503010003	1845 GREASE FITTING		01



Item	Code	Description	See page	DIR	ESQ
00	0501052976	15 X 15 RIGHT FERT UNAL DOUB-DISC ASSY		01	00
00A	0501052977	DDD LEFT FERTILIZER 15 X 15 ASSY		00	01
01	0502011160	15"X15" RIGHT DOUBLE DISC SUPPORT		01	00
02	0502011161	15"X15" LEFT DOUBLE DISC SUPPORT		00	01
03	0502011930	DOUBLE DISC COULTER BOX		02	02
04	0503010598	30204 BALL BEARING		04	04
05	0503011112	SEAL 02376-BRG		02	02
06	0521019154	RIGHT DOUB DISC HUB		01	01
07	0521019148	LEFT DOUBLE DISC HUB		01	01
08	0503030282	3/4" CASTLE NUT		02	02
09	0503010257	1/8" X 1" COTTERPIN		02	02
10	0603022042	13" X 0.12" PLAIN COULTER BLADE		02	02
11	0503010546	5/16" X 7/8" BOLT		12	12
12	0503010337	5/16" NUT		02	02
13	0511015098	FLAT WASHER		06	06
14	0511011927	DUST CLOAK		02	02
15	0503030757	2.9" X 2" X 0.02" JOINT		02	02
16	0521019178	COVER DEPTH		02	02
17	0503014729	1/4" UNF X 1/2" BOLT		06	06
18	0503011441	SPRING WASHER		06	06
19	0501017541	RH DOUBLE DISC SCRAPER		01	01
20	0501017542	LH DOUBLE DISC SCRAPER		01	01
21	0503010751	C3/8" X 1.1/4" HEX BOLT G.5		01	01
22	0501010984	FLAT WASHER		02	02
23	0503011443	SPRING WASHER		01	01
24	0503010026	3/8" NUT		01	01
25	0502070062	SCRAPER		01	01
26	0503011402	0.2" X 0.8" SPRING PIN		01	01



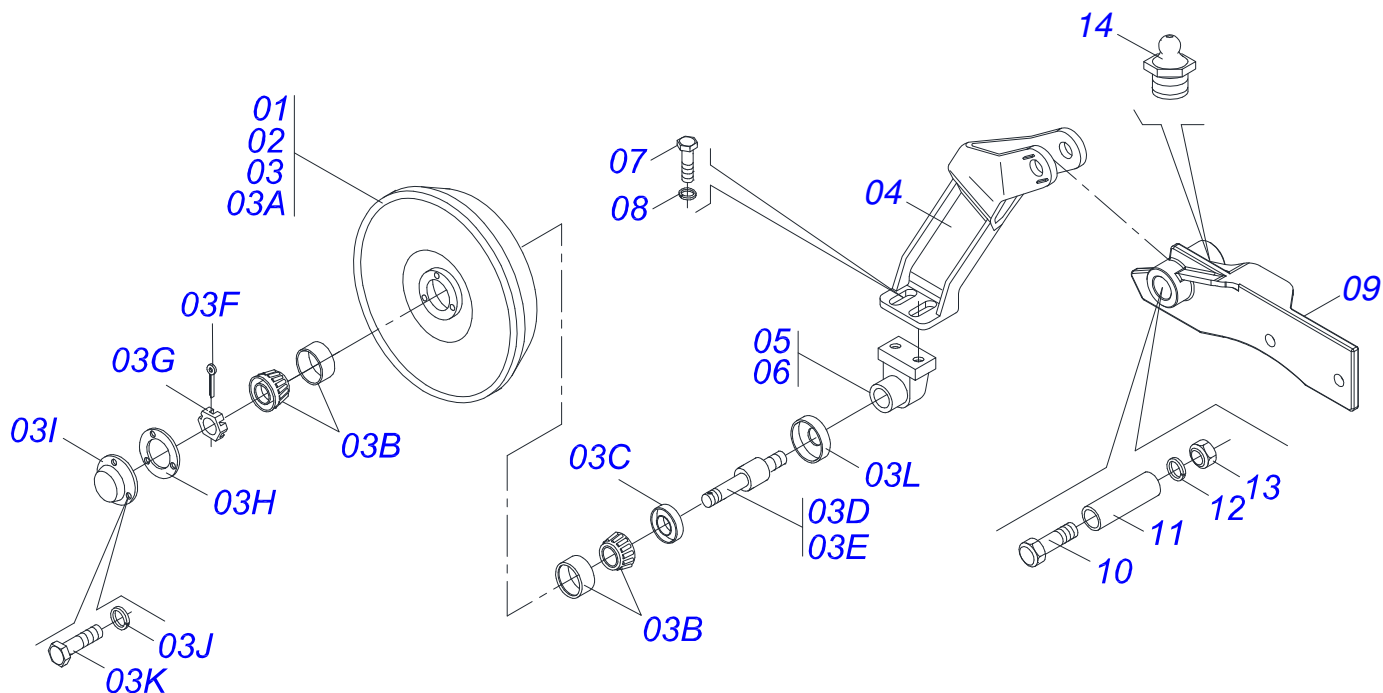
Item	Code	Description	See page	QT
00	0501051094	SEED DISTRIB ASSY WITH DOUB PULLEY	01	
00A	0501050077	SEED DISTRIB ASSY W/ SIMPLE PULLEY	01	
01	0503030381	SEED DISTRIBUTOR BOX	01	
02	0502010447	TRIGGER	02	
03	0501013467	KEY AXLE	01	
04	0503030378	0.4" X 1.1" X 0.03" SPRING	03	
05	0501013466	KEY LIMITER AXLE	01	
06	0501051119	DOUBLE PULLEY ROCKER'S	01	
06A	0503031129	DOUBLE PULLEY ROCKER ARM	01	
06B	0503031128	5Z PLASTIC DOUB PULLEY FOR SOYBEAN	02	
06C	0503031130	PIN OF THE PULLEY	01	
06D	0503011853	503050 CLAMPING RING (FOR HOLE)	01	
07	0501013468	ROCKER ARM AXLE, OF THE PULLEY	01	
08	0503030377	SCRAPER	01	
09	0501050120	LARGER WALKING BEAM ASSY	01	
09A	0503030379	LARGER ROCKER ARM	01	
09B	0502060001	PLASTIC PULLEY FOR MAIZE	01	
09Ba	0503030558	PLASTIC PULLEY FOR MAIZE	01	
09C	0503010803	3/16" X 3/4" BOLT	01	
09D	0503010669	FLAT WASHER	01	
09E	0503010667	3/16" NUT	02	
10	0502020584	BEAN SEED DISC 64 HOLE OBLONG	01	
10A	0502020585	COTTON SEED DISC 64 HOLE OBLONG	01	
11	0502020351	CORN SEED DISC 24 HOLE	01	
11A	0502020366	CORN SEED DISC 24 HOLE	01	
11B	0502020331	BEAN SEED DISC 26 HOLE OBLONG	01	
11C	0502020408	BEAN SEED DISC 38 HOLE OBLONG	01	
11D	0502020353	SORGO BEET SEED DISC 40 HOLE	01	
11E	0502020346	RICE SEED DISC 40 OBLONG	01	
11F	0502020560	SUNFLOWER SEED DISC 28 OBLONG	01	
11G	0502020554	SUNFLOWER SEED DISC 28 OBLONG	01	



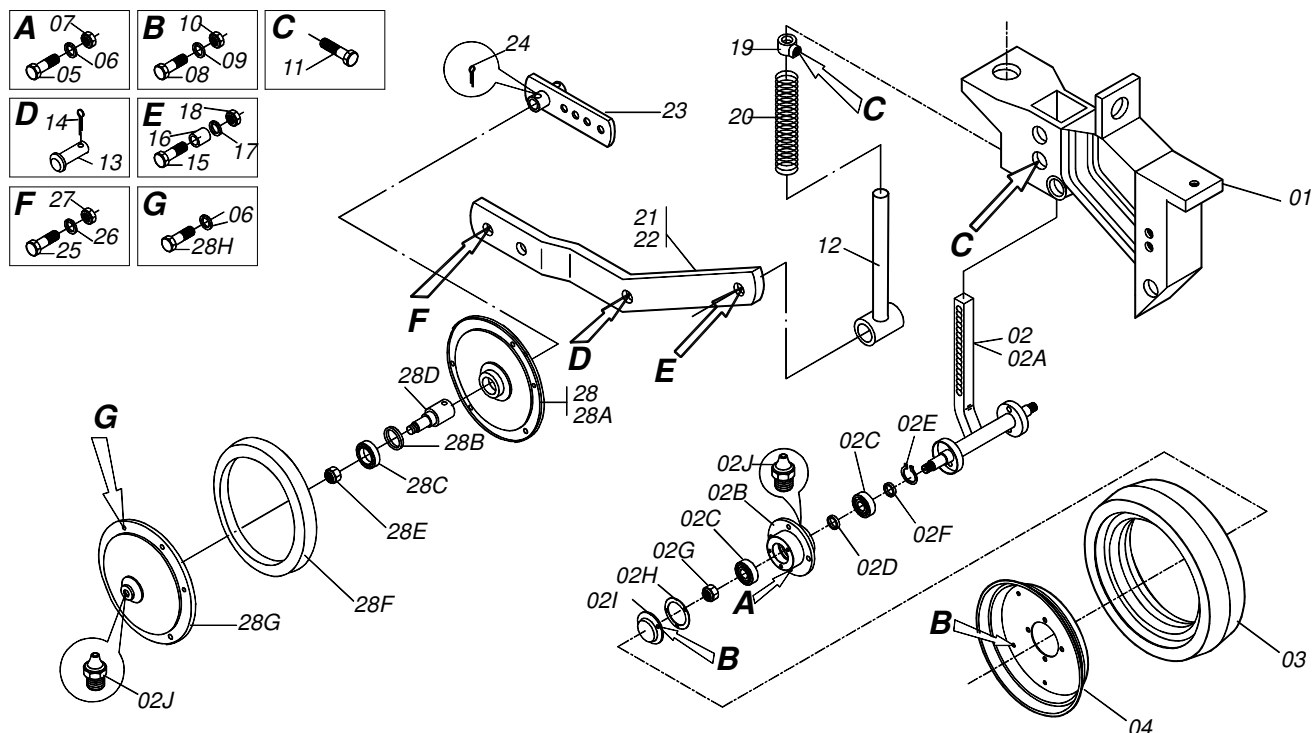
PST2E
SEED DISTRIBUTOR ASSY

Item	Code	Description	See page	QT
11H	0502020340	DISC WITHOUT HOLE		01
11I	0502020367	DISC WITHOUT HOLE		01
11J	0502020328	SOYBEAN SEED DISC 34 OBLONG		01
11K	0503031678	DISC WITHOUT HOLE		01
11L	0502020327	DISC WITHOUT HOLE		01
11M	0503031677	DISC WITHOUT HOLE		01
11N	0502020583	PEANUT SEED DISC 20		01
11O	0502020419	COTTON SEED DELINTED 40		01
11P	0502020407	BEAN SEED DISC		01
11Q	0502020333	BEAN SEED DISC		01
12	0511017897	DISC SEAT		01

WHEEL PRESS FERTILIZER ASSY (CBRF)



Item	Code	Description	See page	QT
00	0501052735	IRON RIGHT PRESS WHEEL FERT UP		01
00.	0501052736	IRON LEFT PRESS WHEEL FERT UP		01
01	0501056289	IRON LEFT PRESS WHEEL FERT UP		01
02	0501056288	WHEEL COVER ROD FERRO		01
03	0501053186	RIGHT IRON PRESS WHEEL ASSY		01
03A	0502011970	IRON PRESS WHEEL		01
03B	0503010598	30204 BALL BEARING		02
03C	0503011112	SEAL 02376-BRG		01
03D	0521019148	LEFT DOUBLE DISC HUB		01
03E	0521019154	RIGHT DOUB DISC HUB		01
03F	0503010257	1/8" X 1" COTTERPIN		01
03G	0503030282	3/4" CASTLE NUT		01
03H	0503030757	2.9" X 2" X 0.02" JOINT		01
03I	0521019178	COVER DEPTH		01
03J	0503011441	SPRING WASHER		03
03K	0503013758	1/4" X 1-1/2" BOLT		03
03L	0511016896	DUST CLOAK		01
04	0502012348	RIGHT WHEEL ARM		01
05	0502011156	LEFT FIXER WHEEL		01
06	0502011155	RIGHT FIXER WHEEL		01
07	0503010920	1/2" X 1.1/2" BOLT		02
08	0503011440	SPRING WASHER		02
09	0502012347	LEFT WHEEL ARM SUPPORT		02
10	0501010163	5/8" X 4-1/2" BOLT		01
11	0531016207	0.6" X 1" X 2.8" SLEEVE		01
12	0503010027	SPRING WASHER		01
13	0503010013	5/8" NUT		01
14	0503010003	1845 GREASE FITTING		01



Item	Code	Description	See page	QT
00	0501050932	DEPTH CONTROL WHEELS ASSY		01
01	0502010705	DEPTH WHEEL SUPPORT		01
02	0501050421	HUB DEPTH REGULATOR ASSY		01
02A	0501064772	DEPTH REGULATOR ARM		01
02B	0502011907	DEPTH CONTROL WHEEL HUB		02
02C	0503010269	6204 BALL BEARING		02
02D	0521010489	SLEEVE SPACER		02
02E	0503011105	SEAL RING		01
02F	0503010689	SEAL 00763-BR		02
02G	0503010878	5/8" SELF ALIGNING NUT		02
02H	0503030757	2.9" X 2" X 0.02" JOINT		02
02I	0521019178	COVER DEPTH		02
02J	0503010691	1/4" GREASE FITTING		03
03	0503030551	DEPTH CONTROL WHEEL RUBBER BAND		02
04	0521010832	RIM FLANGE		04
05	0503010178	5/16" X 7/8" BOLT		08
06	0503010179	SPRING WASHER		14
07	0503010337	5/16" NUT		08
08	0503010298	1/4" X 1/2" BOLT		16
09	0503010143	SPRING WASHER		16
10	0503010144	1/4" NUT		16
11	0501018535	1/2 X 1 BOLT		03
12	0501069979	SPRING REGULATOR		01
13	0521013310	0.5" X 3" COUPLING SHAFT		01
14	0503010300	5/32" X 1" COTTERPIN		01
15	0503010479	1/2" X 3" BOLT		01
16	0521010512	0.5" X 0.7" X 1.6" SLEEVE INTER		01
17	0503010019	1/2" SPRING WASHER		01
18	0503010060	1/2" NUT		01
19	0502040725	SPRING BUSHING LOCK GUIDE		02
20	0503030399	1"X5.1"X 0.2" COMPRESSION SPRING		01



DEPTH CONTROL WHEEL ASSY

0909091011

Item	Code	Description	See page	QT
21	0501013798	LEFT ARM		01
22	0501013799	RIGHT ARM		01
23	0501064232	PRESS WHEELS FIXER ASSY		01
24	0503010571	1/4" X 1.1/2 COTTERPIN		02
25	0503010849	3/8" X 1-1/2" BOLT		02
26	0503010025	3/8 SPRING WASHER		02
27	0503010026	3/8" NUT		02
28	0501054883	PRESS WHEELS ASSY		02
28A	0501068827	PRESS RIM SEMI		01
28B	0503010272	SEAL 00715-BA		01
28C	0503011763	6203 BALL BEARING		02
28D	0541010382	PRESS AXLE WHEELS		01
28E	0503012136	1 X 9 BOLT		01
28F	0503031421	DEPTH CONTROL WHEEL RUBBER BAND		02
28G	0511065018	PRESS WHEEL RIM		01
28H	0503010295	5/16" X 5/8" BOLT		06
28I	0503010691	1/4" GREASE FITTING		01



MARCHESAN IMPLEMENTOS E MÁQUINAS AGRÍCOLAS TATU S.A.

AV. Marchesan, 1979 - Post office box, 131 - CEP 15994-900 - Matão - SP - Brazil

Phone +55 16.3382-8282

(FAX Parts) + 55 16.3382. 8297 - (Export) + 55 16.3382.1003

e.mail: tatu@marchesan.com.br www.marchesan.com.br

Technical Publications: Elaboration

JOSÉ DOMINGOS GASPARI

Technical Publications: Revision

JOSÉ DOMINGOS GASPARI

Contact Catálogo:

E-mail = jgaspari@marchesan.com.br

**ORIGINAL PARTS
TATU**

