

**ROW CROP PLANTERS**

**PST3 - ROWS 10/10**  
**PST3 - LINHAS 10/10**

**Code:** 0501090609  
**Series:** S-0503  
**Revision:** 00  
**Revision Date:** OCTOBER/2023

# **PARTS CATALOGUE**



**MARCHESAN**



# PRODUCTS

Code	Working Width	Description
0111090198		PST3 10/10 C S-0503
0111090235		PST3 10/10 C MH RD S-0503

## ATTENTION: IMPORTANT

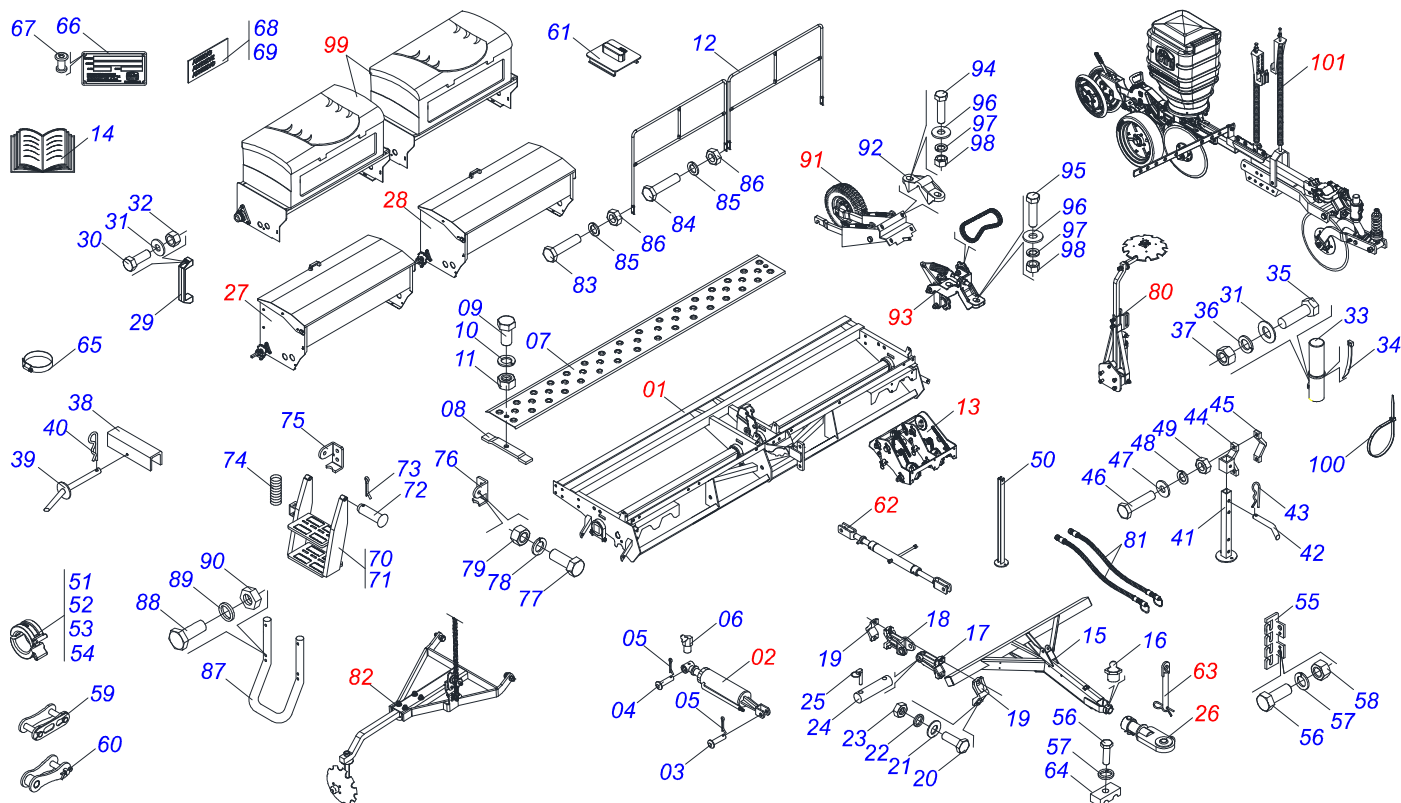
Marchesan S.A. reserves the right to improve and/or modify the technical features of its products, without obligation to do the same with those products already sold and without prior knowledge of the dealer or the customer. The photos are only illustrative.



**MARCHESAN**

# INDEX

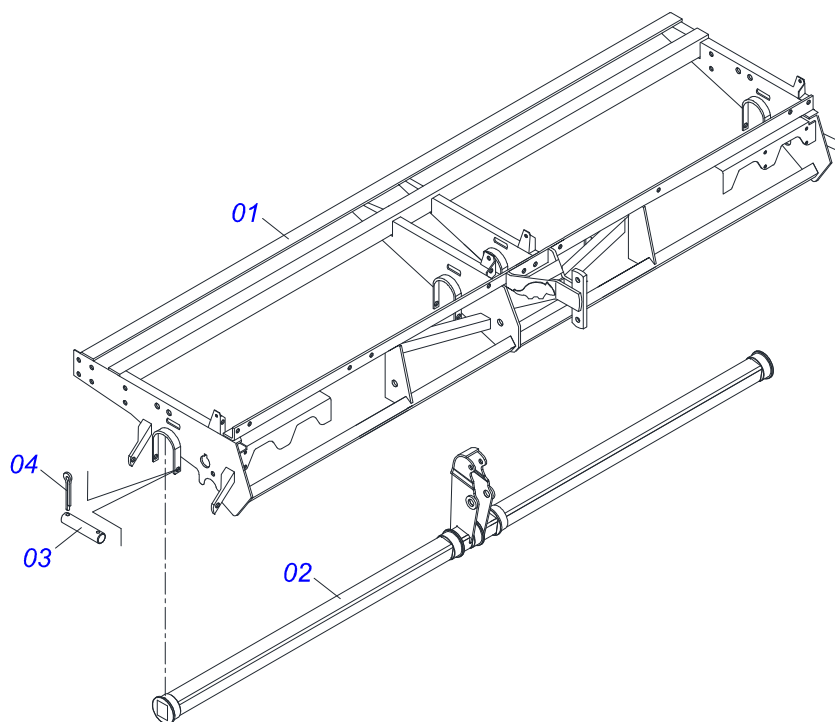
0909096938	FRAME ASSY	.....	1
0501054739	WHEEL AXLE FRAME	.....	2
0501049849	2.0" X 4.5" X 25.8" HYDRAULIC CYLINDER	.....	3
0909090985	TRANSMISSION	.....	4
0909090989	GEAR BOX ASSY	.....	5
0511055018	WHEELSET WITH SPRING TRACTION	.....	6
0501051818	WHEEL ARM ASSY	.....	7
0501058240	WHEEL FASTENER WITH TENSIONER	.....	8
0501052236	CHAIN TENSIONER ASSY	.....	9
0501052238	CHAIN TENSIONER ASSY	.....	10
0501052237	CHAIN TENSIONER ASSY	.....	11
0501052239	CHAIN TENSIONER ASSY	.....	12
0501048790	AXLE WITH RING	.....	13
0501052759	ASSY GEARBOX BEARING	.....	14
0501053877	WHEEL ARM ASSY	.....	15
0511053874	WITHOUT WHEELS TIRE	.....	16
0501051596	TRANSMISSION RIGHT DRIVING	.....	17
0501052560	MOTOR AXLE SIGNAL	.....	18
0501053494	TRACTOR HITCH ASSY	.....	19
0501051160	TRACTOR HITCH PIN	.....	20
0501052332	RIGHT BOX FERTILIZER	.....	21
0501052333	LEFT BOX FERTILIZER	.....	22
0501050273	LH FERTILIZER METERING	.....	23
0501050455	LH FERTILIZER METERING	.....	24
0501050274	BOX BEARING ASSY	.....	25
0501054428	ASSY DRAWBAR EXTENDER	.....	26
0501047881	AXIS JOINT ASSY	.....	27
0909096939	HYDRAULIC MARKER ASSEMBLY	.....	28
0511040203	1.5" X 2.5" X 19" X 9" HYDRAULIC CYLINDER	.....	29
0501054649	HBM SEQUENTIAL VALVE	.....	30
0501053834	MALE QUICK COUPLER	.....	31
0909090949	CONJUNTO DEL MARCADOR MANUALES	.....	32
0501043881	ROW MARKER PIVOT	.....	33
0501050633	ROW MARKER DISC ASSEMBLY	.....	34
0511053904	ROW MARKER DISC	.....	35
0909092116	RIGHT / LEFT FERTILIZER BOX SET	.....	36
0501055139	FERTILIZER RIGHT BOX	.....	37
0501055140	FERTILIZER LEFT BOX	.....	38
0501052423	LH FERTILIZER METERING	.....	39
0501052449	LH FERTILIZER METERING	.....	40
0501052400	RIGHT FERTILIZER METERING	.....	41
0501052448	RIGHT FERTILIZER METERING	.....	42
0909090975	SEED/FERTILIZER ROW ASSY	.....	43
0501050120	LARGER WALKING BEAM ASSY	.....	44
0521053673	SCARIFIER ROD WITH NOZZLE	.....	45



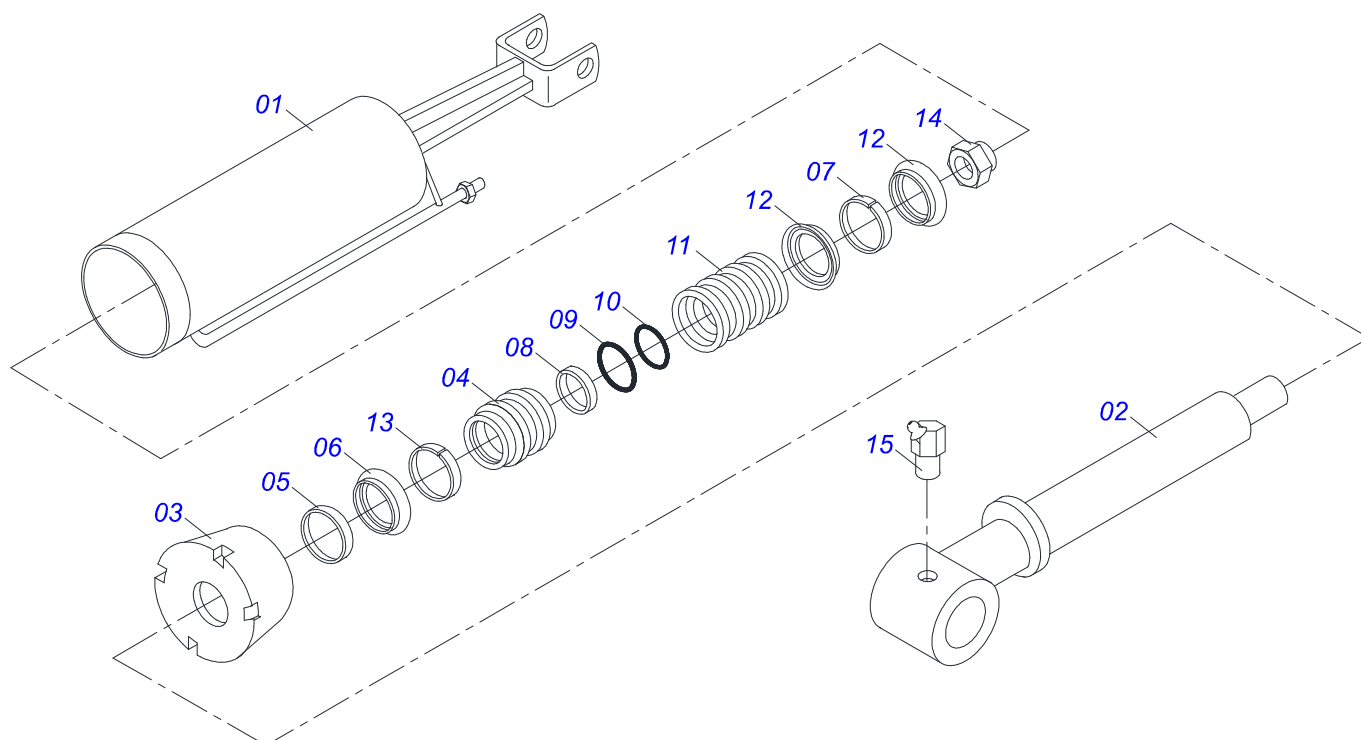
Item	Code	Description	See page	QT
001	0501054739	WHEEL AXLE FRAME	2	01
002	0501049849	2.0" X 4.5" X 25.8" HYDRAULIC CYLINDER	3	01
003	0521012538	1.2" X 3.5" COUPLING SHAFT		01
004	0521012536	COUPLING SHAFT		01
005	0503010523	1/4" X 2" SPLIT PIN		02
006	0503010003	1845 GREASE FITTING		05
007	0521011241	REAR PLATFORM 1990 PST2 10		02
008	0521011300	REAR PLATFORM FIXER		04
009	0501010080	3/8" BOLT		04
010	0503010025	3/8 SPRING WASHER		04
011	0503010026	3/8" NUT		04
012	0521061077	1950 HANDRAIL		02
013		TRANSMISSION	4	
014	0501090599	INSTRUCTION MANUAL		01
015	0531063130	DRAWBAR		01
016	0503010002	1800 GREASE FITTING		02
017	0502012328	DRAWBAR SUPPORT FRONT FIXATION		02
018	0502012329	DRAWBAR FIXATION REAR SUPPORT		02
019	0502012330	SUPPORT FIXER PIVOT		02
020	0503011084	3/4" X 5" BOLT		08
021	0501010322	20,50 X 46 X 4,00 ZN FLAT WASHER		08
022	0503010023	3/4" SPRING WASHER		08
023	0503010014	3/4" ZN G.5 (HEAVY) UNC HEX NUT		08
024	0561014393	COUPLING SHAFT		02
025	0503030119	LOCK PIN		04
026	0501053494	TRACTOR HITCH ASSY	19	01
026.	0501051160	TRACTOR HITCH PIN	20	01
027	0501052332	RIGHT BOX FERTILIZER	21	01
028	0501052333	LEFT BOX FERTILIZER	22	01
029	0503011957	NYLON HANDLE		02

Item	Code	Description	See page	QT
030	0503010363	BOLT 5/16 UNC X 1 C S G.2 ZN		04
031	0501010694	FLAT WASHER 32,50 X 75 X 4,75		04
032	0503010337	NUT 5/16 UNC G.5 ZN		04
033	0503060100	SUPPORT INSTRUCTION MANUAL		01
034	0503013100	NYLON CLAMP 4,8 X 1,3 X 200 MM		02
035	0503010358	5/16" X 5/8" BOLT		01
036	0503010179	LOCK WASHER 5/16 ZN 1K01528		01
037	0503010337	NUT 5/16 UNC G.5 ZN		01
038	0511017592	11.8" X 1.6" TRANSPORT LOCK		02
039	0501068994	8,30 X 78 LOCK PIN		02
040	0503030168	HITCH PIN CLIP		02
041	0511061835	PLOUGH SUPPORT		02
042	0501011075	PIN		02
043	0503030012	HITCH PIN CLIP		02
044	0502011530	SUPPORT		02
045	0502010175	HITCH CLAMP		02
046	0501011543	5/8" X 4" BOLT		04
047	0501012140	FLAT WASHER 16,50 X 40 X 4,00 ZN		04
048	0503010027	5/8 SPRING WASHER		04
049	0503010013	5/8" UNC G.5 ZN HEX NUT		04
050	0501065677	STRUT		02
051	0501047895	25 ROD STOP		01
052	0501047885	30 ROD STOP		01
053	0501047886	35 ROD STOP		01
054	0501047887	40 ROD STOP		01
055	0541011767	HOSE FIXATION		01
056	0503010751	C3/8" X 1.1/4" HEX BOLT G.5		20
057	0503010025	3/8 SPRING WASHER		20
058	0503010026	3/8" NUT		22
059	0503010780	N-2050 AMENDMENT		02
060	0503010951	REDUCTION		04
061	0503032624	FERTILIZER HOPPER GUTTER		06
062	0501054428	ASSY DRAWBAR EXTENDER	26	01
063	0501047881	AXIS JOINT ASSY	27	01
064	0502010477	HOSE CLAMP		01
065	0503010246	CLAMP		10
066	0503034003	61 X 118 SERIAL NUMBER TAG		01
067	0503010001	RIVET 3,2 X 5,5		04
068	0503061930	ADHESIVE LABELS SET		01
068.	0503031605	REAR RIGHT FERTILIZER/SEED GEAR DECAL		01
068..	0503031942	MANUAL SEAL DECAL		01
068...	0503031942	MANUAL SEAL DECAL		01
068....	0503031606	REAR LEFT FERTILIZER/SEED GEAR DECAL		01
068.....	0503031546	ADHESIVE LABEL TABLE FERTILIZER P2		02
069	0503031566	ATTENTION JACK DECAL		02
069.	0503031565	CAUTION TRANSPORTATION DECAL		02
069..	0503031567	ADHESIVE LABEL ATTENTION		02
069...	0503031428	READ MANUAL DECAL		01
069....	0503031993	ADHESIVE LABEL		02
069.....	0503031087	AUTO CONTROL APPROVED DECAL		01
070	0501069281	RIGHT LADDER		01
071	0501069282	LEFT LADDER		01
072	0521010542	COUPLING SHAFT		04
073	0503010257	1/8" X 1" SPLIT PIN		04
074	0503030190	0.5" X 1.6" X 0.05" SPRING		02
075	0551017438	LADDER RIGHT FIXER		01
076	0551017437	LADDER RIGHT FIXER		01

Item	Code	Description	See page	QT
077	0503010237	3/8" X 1" BOLT		08
078	0503010025	3/8 SPRING WASHER		08
079	0503010026	3/8" NUT		08
080		HYDRAULIC MARKER ASSEMBLY	28	
081	0501080365	HOSE 3/8 X 3500 TC-TM		02
082		CONJUNTO DEL MARCADOR MANUALES	32	
083	0503010395	1/2" X 1-1/4" BOLT		04
084	0503010920	1/2 UNC X 1.1/2 C S G.5 ZN BOLT		04
085	0503010019	1/2" SPRING WASHER		08
086	0503010060	1/2 UNC G.5 ZN HEX NUT		08
087	0511064807	STIRRUP		02
088	0503011404	BOLT		08
089	0503010025	3/8 SPRING WASHER		08
090	0503010026	3/8" NUT		08
091	0501051818	WHEEL ARM ASSY	7	04
092	0502010584	CARRYING-WHEELS SUPPORT FIXER		08
093	0501058240	WHEEL FASTENER WITH TENSIONER	8	04
094	0503010797	3/4" X 4" BOLT		08
095	0501010216	3/4 UNC X 4.1/2 C S G.5 ZN BOLT		08
096	0501010322	20,50 X 46 X 4,00 ZN FLAT WASHER		16
097	0503010023	3/4" SPRING WASHER		16
098	0503010014	3/4" ZN G.5 (HEAVY) UNC HEX NUT		16
099		RIGHT / LEFT FERTILIZER BOX SET	36	
100	0503013100	NYLON CLAMP 4,8 X 1,3 X 200 MM		02
100.	0503010267	NYLON CLAMP 3,60 X 1,3 X 155 MM		01
101		SEED/FERTILIZER ROW ASSY	43	

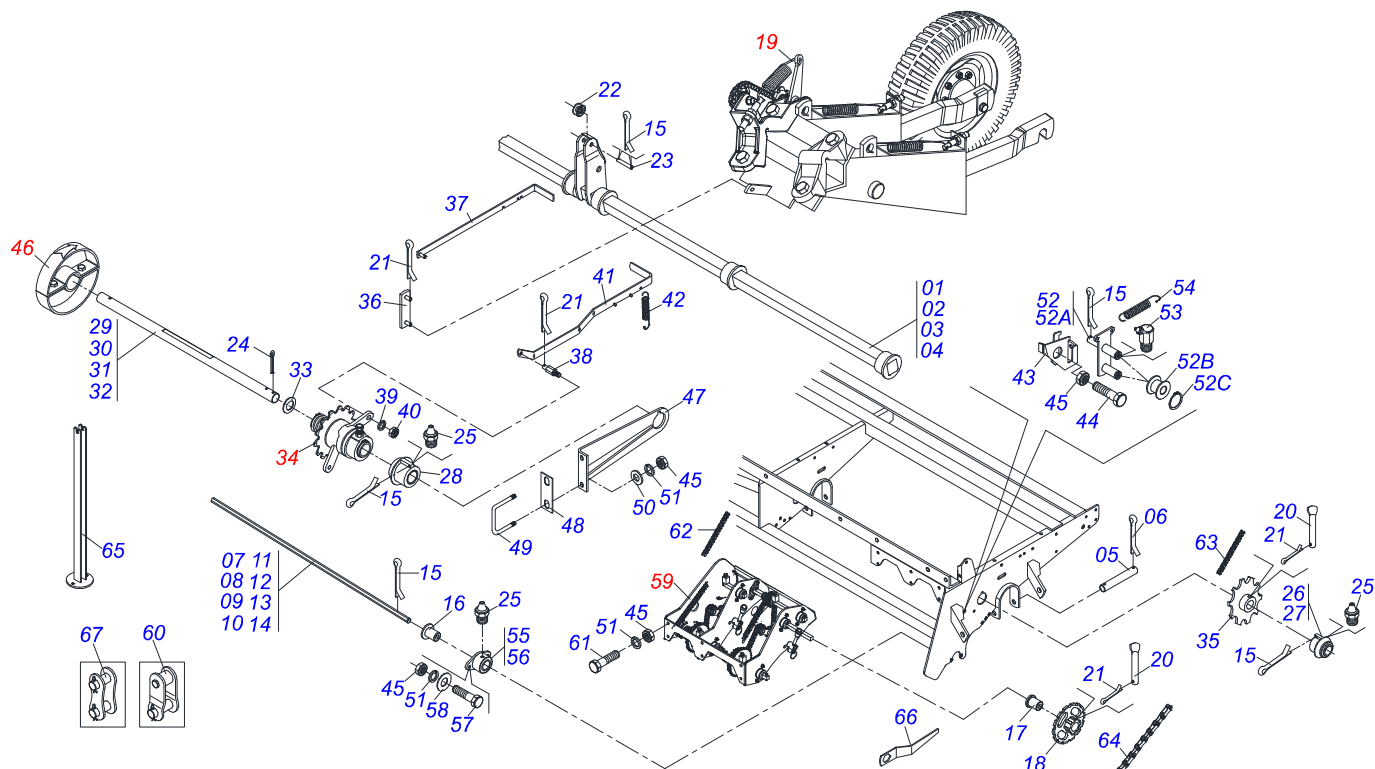


Item	Code	Description	See page	QT
01	0511064815	FRAME		01
02	0511062159	CARRYING-WHEELS PIVOT SHAFT		01
03	0521010569	COUPLING SHAFT		04
04	0503010571	1/4" X 1.1/2" SPLIT PIN		08



Item	Code	Description	See page	QT
01	0511065689	114,3 X 506 CYLINDER CASE		01
02	0511065690	50,8 X 413 TURNBUCLE		01
03	0502011222	END CAP 4 . 1/2"		01
04	0502011220	2" X 4.5" RING SUPPORT		01
05	0503010039	D-2000 SCRAPER RING		01
06	0503010991	1870-2000-375-B GASKET		01
07	0503010952	W2-2250-500 RING		01
08	0503011893	BACK-UP RING, 8-346		01
09	0503011892	O' RING, 2-346 N 3006-9B		01
10	0503010345	2-218 N 3006-9B O'RING		01
11	0502011221	2.0" X 4.5" PISTON		01
12	0503011890	3750-3750 GASKET		02
13	0503011891	W2-4500-500 RING G.E		01
14	0503010817	SELF LOCKING NUT 1.1/4 UNF ALTA G.5 ZN		01
15	0503010003	1845 GREASE FITTING		01

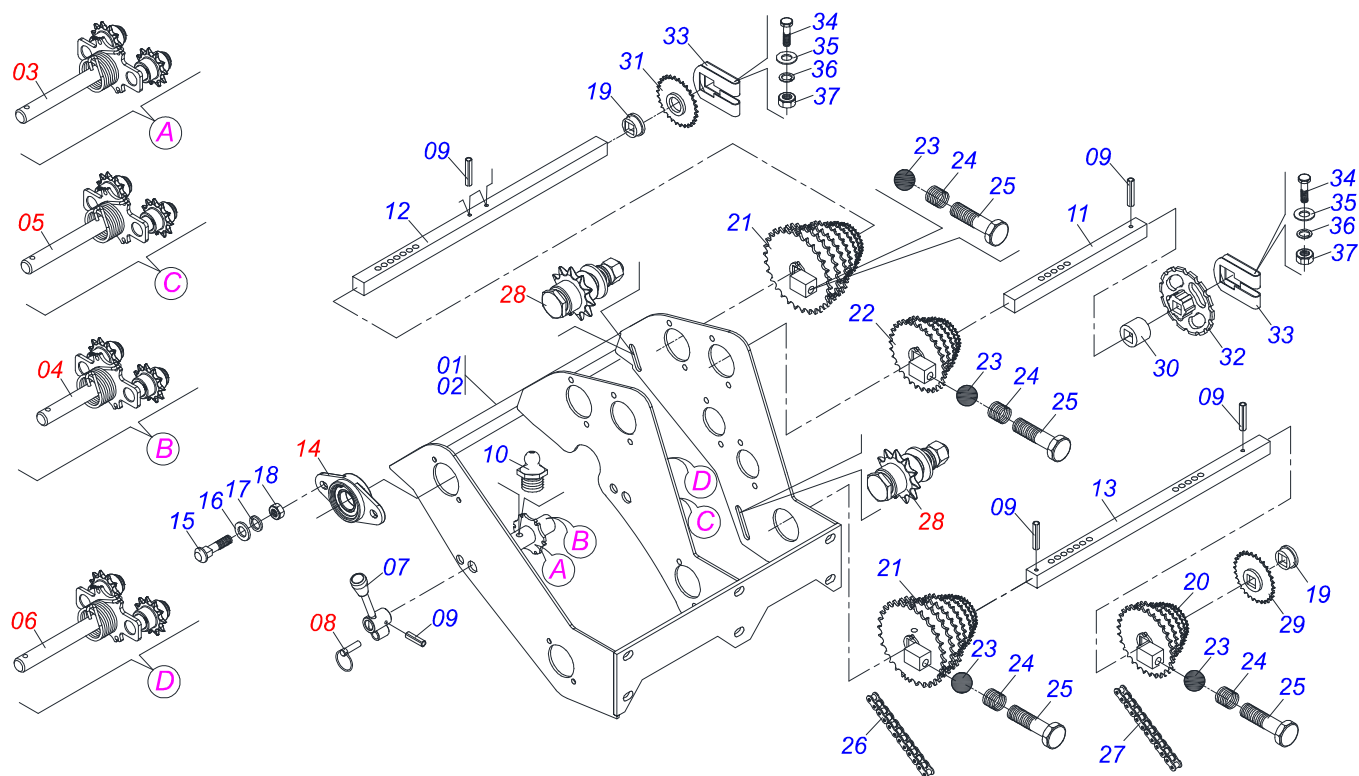




Item	Code	Description	See page	08	09	10	12
01	0511062157	CARRYING-WHEELS PIVOT SHAFT		01	00	00	00
02	0511062158	CARRYING-WHEELS PIVOT SHAFT		00	01	00	00
03	0511062159	CARRYING-WHEELS PIVOT SHAFT		00	00	01	00
04	0511062160	CARRYING-WHEELS PIVOT SHAFT		00	00	00	01
05	0521010569	COUPLING SHAFT		04	04	04	04
06	0503010571	1/4" X 1.1/2" SPLIT PIN		08	08	08	08
07	0501017440	5/8" X 60.4" HEX AXLE		01	00	00	00
08	0501017441	5/8" X 69.3" HEX AXLE		01	00	00	00
09	0511010749	5/8" X 71.8" HEX AXLE		00	01	00	00
10	0511010750	5/8" X 79.1" HEX AXLE		00	01	00	00
11	0501017442	5/8" X 76.1" HEX AXLE		00	00	01	00
12	0501017443	5/8" X 85" HEX AXLE		00	00	01	00
13	0501017432	5/8" X 95.8" HEX AXLE		00	00	01	00
14	0501017433	5/8" X 2660" HEX AXLE		00	00	01	00
15	0503010257	1/8" X 1" SPLIT PIN		10	10	12	12
16	0502040723	5/8 HEX AXLE BEARING SLEEVE 5/8		02	02	02	02
17	0502011299	BUSHING GEAR		02	02	02	02
18	0502010411	10Z GEAR		02	02	02	02
19	0511055018	WHEELSET WITH SPRING TRACTION	6	02	02	02	02
20	0521010530	JUNCTION AXLE 6,80 X 60		04	04	04	04
21	0503010140	1/8" X 3/4" SPLIT PIN		10	10	16	16
22	0502011231	CENTRAL PULLEY		01	01	01	01
23	0511011309	AXLE PULLEY		01	01	01	01
24	0503010523	1/4" X 2" SPLIT PIN		06	06	06	06
25	0503010002	1800 GREASE FITTING		02	02	02	02
26	0501110292	AGRICULTURAL BEARING		01	01	01	01
27	0501110293	AGRICULTURAL BEARING		01	01	01	01
28	0501110025	AGRICULTURAL BEARING		04	04	06	06
29	0521012469	1-3/8" X 59.3" AXLE		02	00	00	00
30	0521012470	1-3/8" X 70.0" AXLE		00	02	00	00

TRANSMISSION

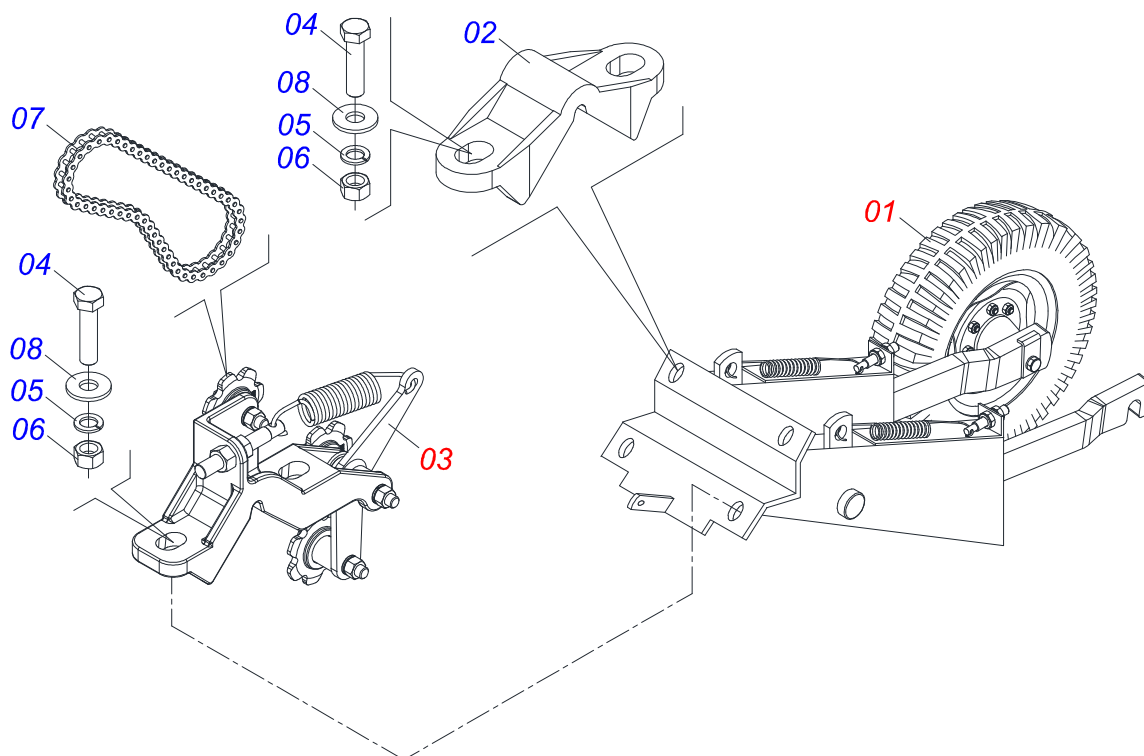
Item	Code	Description	See page	08	09	10	12
31	0521012471	1-3/8" X 75.2" AXLE		00	02	00	00
32	0521012472	1-3/8" X 94.8" AXLE		00	00	02	00
33	0501018466	FLAT WASHER		10	10	10	10
34	0501051596	TRANSMISSION RIGHT DRIVING	17	02	02	04	04
35	0501069585	17Z P5/8" GEAR ROUND HOLE 1.4"		02	02	02	02
36	0511060719	DISARMENT/ARM PIVOT ARM		02	02	04	04
37	0501067046	RATCHET RESET		02	00	02	04
38	0521015800	REAR LEVER FASTENER		00	02	02	00
39	0503010025	3/8 SPRING WASHER		04	06	06	04
40	0503010026	3/8" NUT		04	06	06	04
41	0521015778	RATCHET PIVOT ARM		00	02	02	00
42	0503030198	0.6" X 2.4" X 0.1" EXTENSION SPRING		02	02	04	04
43	0501069850	RATCHET BAR DES.		02	02	04	04
44	0503011082	C1/2" X 1.3/4" SCREW		02	02	04	04
45	0503010060	1/2 UNC G.5 ZN HEX NUT		14	14	20	20
46	0501052560	MOTOR AXLE SIGNAL	18	02	02	02	02
47	0511060718	MOTOR AXLE BEARING SUPPORTE		02	02	04	04
48	0521014436	MOTOR CHOCK SUPPORT BEARING AXLE		06	06	12	12
49	0521014021	1/2" X 4.5" X 5.4" FASTENER		02	02	04	04
50	0511017302	FLAT WASHER 13,50 X 32,50 X 3,0 ZN		04	04	08	08
51	0503010019	1/2" SPRING WASHER		12	12	16	16
52	0501042500	CHAIN TENSIONER ASSEMBLY		02	02	02	02
52A	0501067694	CHAIN TENSIONER		02	02	02	02
52B	0503030402	PULLEY		02	02	02	02
52C	0503010302	501019 SEAL RING		02	02	02	02
53	0503010003	1845 GREASE FITTING		02	02	02	02
54	0503030418	TRACTION SPRING		02	02	02	02
55	0501110036	HEX AXLE RIGHT BEARING ASSY		01	01	01	01
56	0501110037	AGRICULTURAL BEARING HEX SHAFT 5/8"		01	01	01	01
57	0503010363	BOLT 5/16 UNC X 1 C S G.2 ZN		04	04	04	04
58	0501010694	FLAT WASHER 32,50 X 75 X 4,75		04	04	04	04
59		GEAR BOX ASSY	5				
60	0503010951	REDUCTION		04	04	04	04
61	0503010920	1/2 UNC X 1.1/2 C S G.5 ZN BOLT		08	08	08	08
62	0503012698	2050 CHAIN X 53 LINK + MENDING		02	02	02	02
63	0503011647	50-1 CHAIN X 42 LINK + REDUCTION		02	02	02	02
64	0503012125	2050 CHAIN X 49 LINK + MENDING		02	02	02	02
64.	0503011393	CHAIN 2050 X 2.8" LINK + MENDING		01	01	01	01
65	0501065677	STRUT		02	02	02	02
66	0501011432	1-1/2" AND 1-5/8 GANG BOLT WRENCH		01	01	01	01
67	0503010780	N-2050 AMENDMENT		02	02	02	02



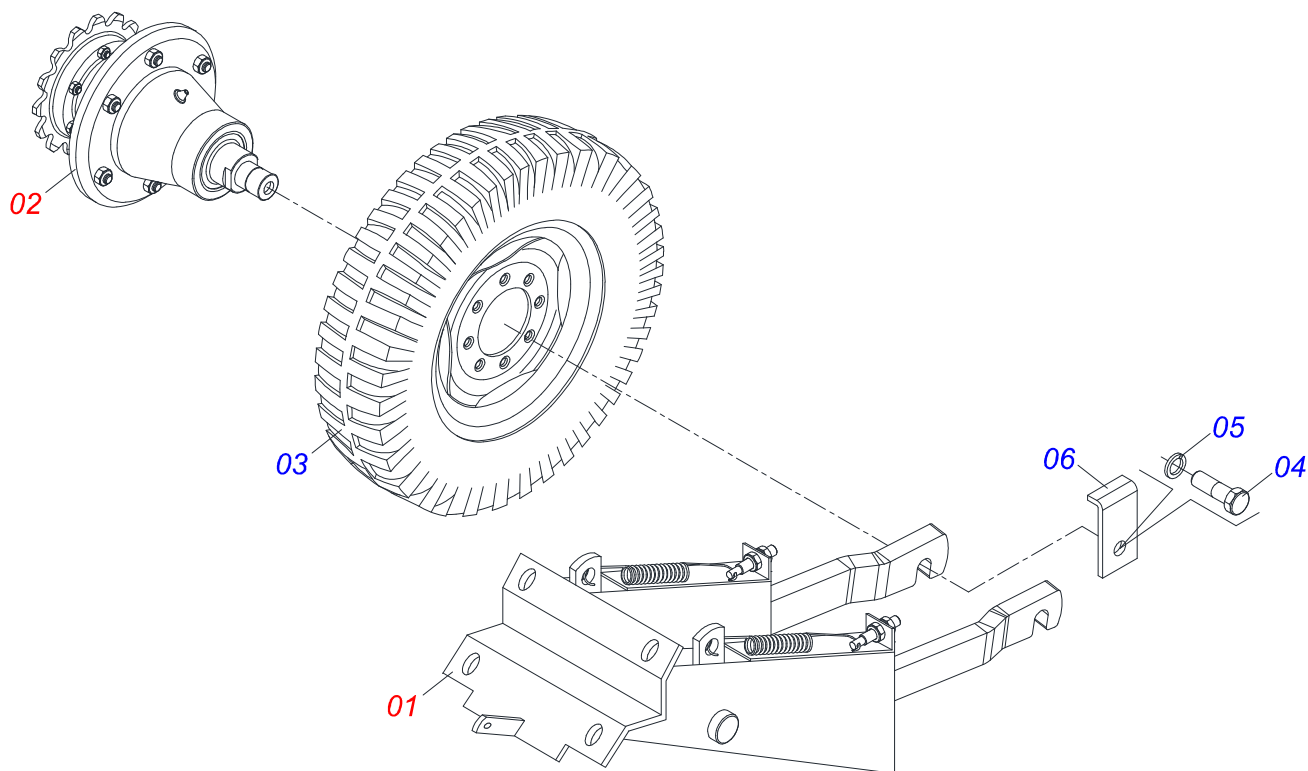
Item	Code	Description	See page	QT
00	0501049365	RIGHT GEAR BOX ASSY		01
00.	0501049366	LEFT GEAR BOX ASSY		01
01	0511060682	FERTILIZER GEAR BOX RIGHT SUPPORT		01
02	0511060683	FERTILIZER GEAR BOX LEFT SUPPORT		01
03	0501052236	CHAIN TENSIONER ASSY	9	01
04	0501052238	CHAIN TENSIONER ASSY	10	01
05	0501052237	CHAIN TENSIONER ASSY	11	01
06	0501052239	CHAIN TENSIONER ASSY	12	01
07	0502011758	REAR TIGHTENER LEVER		02
08	0501048790	AXLE WITH RING	13	02
09	0503010292	701164 6 X 40 SPRING PIN		08
10	0503010002	1800 GREASE FITTING		02
11	0521017618	SEEP CONE MOV. AXLE		01
12	0521014548	FERTILIZER CONE MOV. AXLE		01
13	0521014144	FERTILIZER/SEEP CONE MOV. AXLE		01
14	0501052759	ASSY GEARBOX BEARING	14	08
15	0503011953	5/16" X 1" BOLT		16
16	0501010694	FLAT WASHER 32,50 X 75 X 4,75		16
17	0503011444	SPRING WASHER 5/16"		16
18	0503010337	NUT 5/16 UNC G.5 ZN		16
19	0503030303	SUPPORT WASHER		05
20	0511061668	SEED SYSTEM DRIVEN SHAFT		01
21	0511060396	DRIVE/DRIVEN SHAFT		02
22	0511061667	SEED SYSTEM DRIVEN SHAFT		01
23	0503012389	1/2 BALL		04
24	0503031512	0.4" X 0.1" X 2" X 0.6" SPRING		04
25	0503010395	1/2" X 1-1/4" BOLT		04
26	0503012390	40-1 CHAIN X 93 LINK + MENDING		01
27	0503012391	40-1 CHAIN X 83 LINK + MENDING		01
28	0501054655	CHAIN TENSIONER ASSY		02



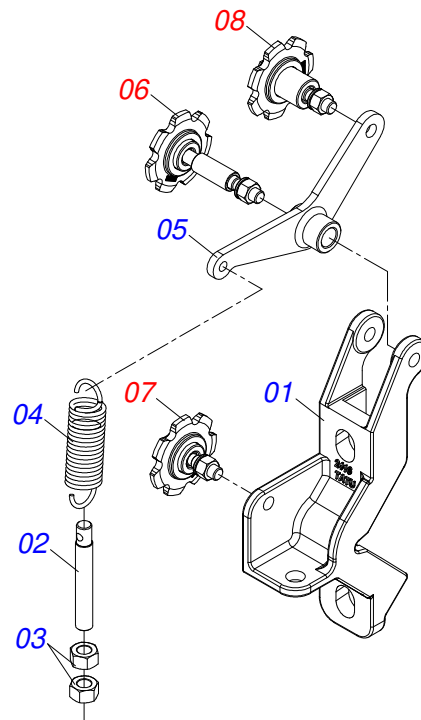
Item	Code	Description	See page	QT
29	0501069874	SPROCKET 17Z P 15,87 FQ 3/4		01
30	0521018630	1.4" X SQUARE 0.8" WASHER		01
31	0511061759	22Z P12,70 FQ 3/4" GEAR		01
32	0502011325	12Z P 1.2" GEAR		01
33	0521010691	AXLE FASTENER		04
34	0503010373	SCREW 1/4 UNC X 2 CS G.2 ZN		04
35	0501010694	FLAT WASHER 32,50 X 75 X 4,75		04
36	0503010143	1/4" SPRING WASHER		04
37	0503010144	1/4" NUT		04



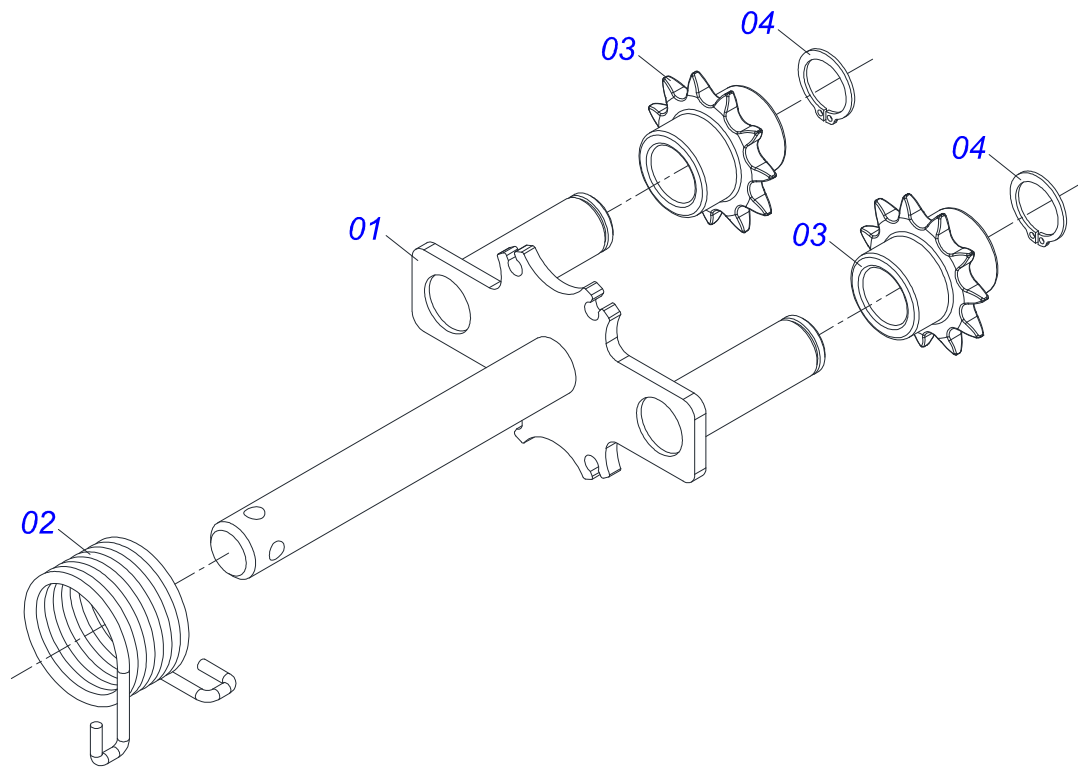
Item	Code	Description	See page	QT
01	0501051818	WHEEL ARM ASSY	7	01
02	0502010584	CARRYING-WHEELS SUPPORT FIXER		01
03	0501058240	WHEEL FASTENER WITH TENSIONER	8	01
04	0503010797	3/4" X 4" BOLT		04
05	0503010023	3/4" SPRING WASHER		04
06	0503010014	3/4" ZN G.5 (HEAVY) UNC HEX NUT		04
07	0503015344	2050 CHAIN X 74 LINK + REDUCTION		01
08	0501010322	20,50 X 46 X 4,00 ZN FLAT WASHER		04



Item	Code	Description	See page	QT
001	0501053877	WHEEL ARM ASSY	15	01
002	0511053874	WITHOUT WHEELS TIRE	16	01
003	0503060112	WHEEL AND TIRE ASSY - 16-10 L		01
004	0503011167	M16 X 2 X 30 BOLT		02
005	0503010027	5/8 SPRING WASHER		02
006	0521012190	AXLE LOCK		02

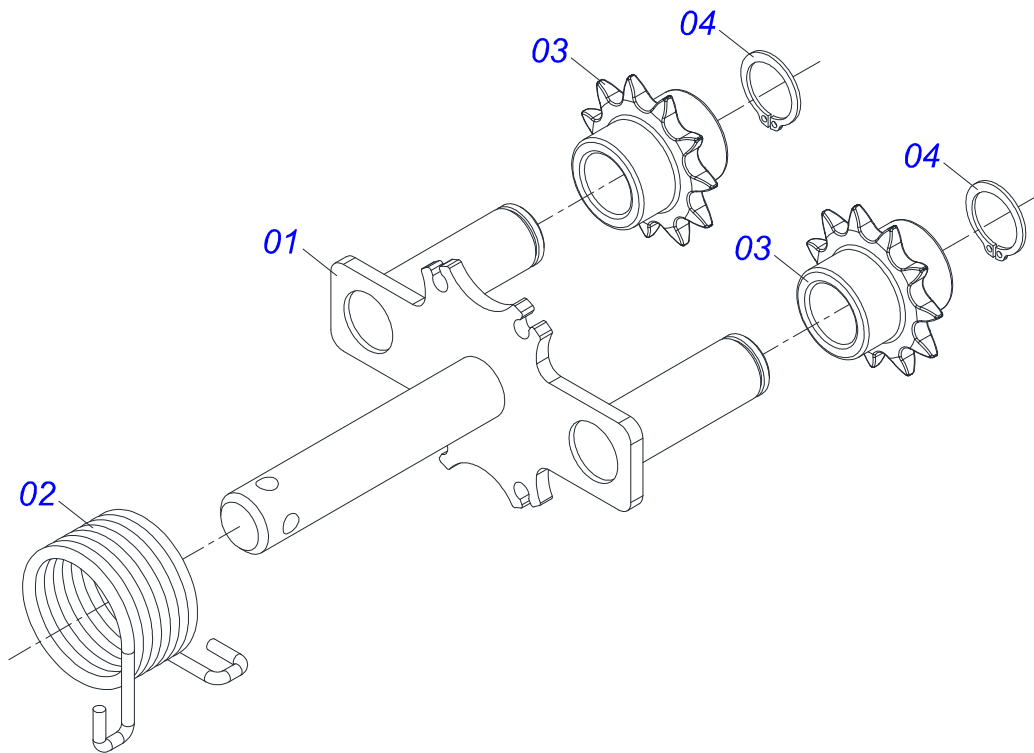


Item	Code	Description	See page	QT
01	0502012416	CARRYING-WHEELS SUPPORT FIXER		01
02	0501013491	5/8" TENSIONER SPRING		01
03	0503010013	5/8" UNC G.5 ZN HEX NUT		02
04	0503030099	1.3" X 4.9" 0.2" TRACTION SPRING		01
05	0511069417	REAR TENSIONER		01
06	0501058243	INTERMEDIATE WHEEL CHAIN TENSIONER		01
07	0501058244	WHEEL FIXED CHAIN TENSIONER		01
08	0501058242	WHEEL MOBILE CHAIN TENSIONER		01

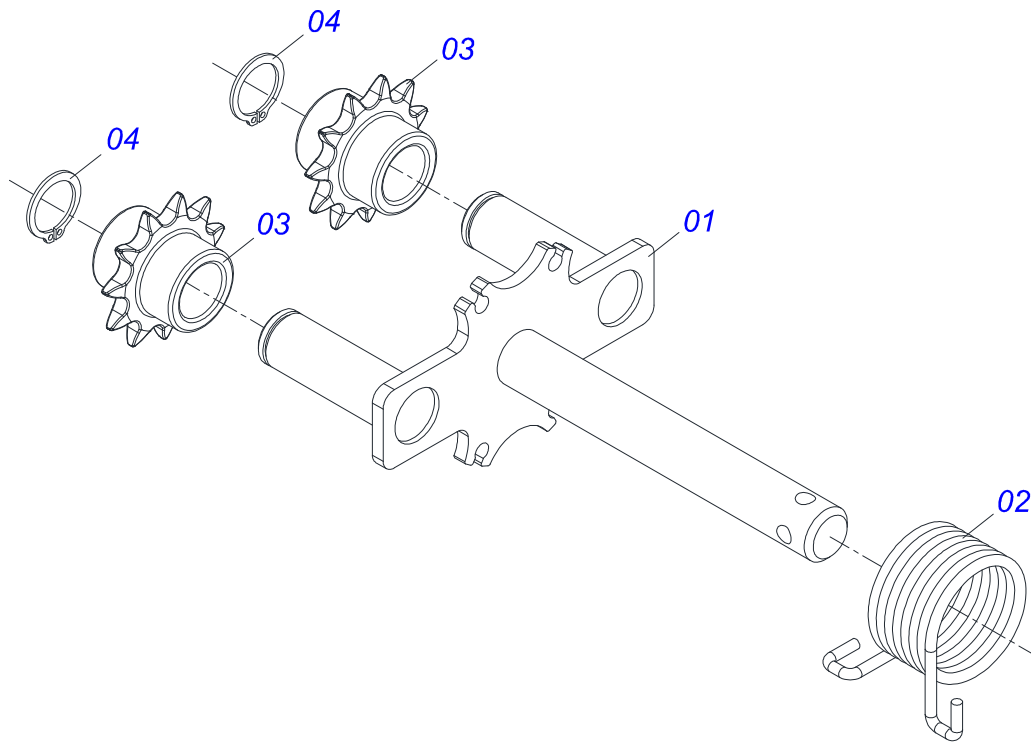


Item	Code	Description	See page	QT
01	0511060392	CHAIN TENSIONER		01
02	0503031366	RIGHT TWISTED SPRING		01
03	0503031805	11Z 1/2" GEAR		02
04	0503010302	501019 SEAL RING		02

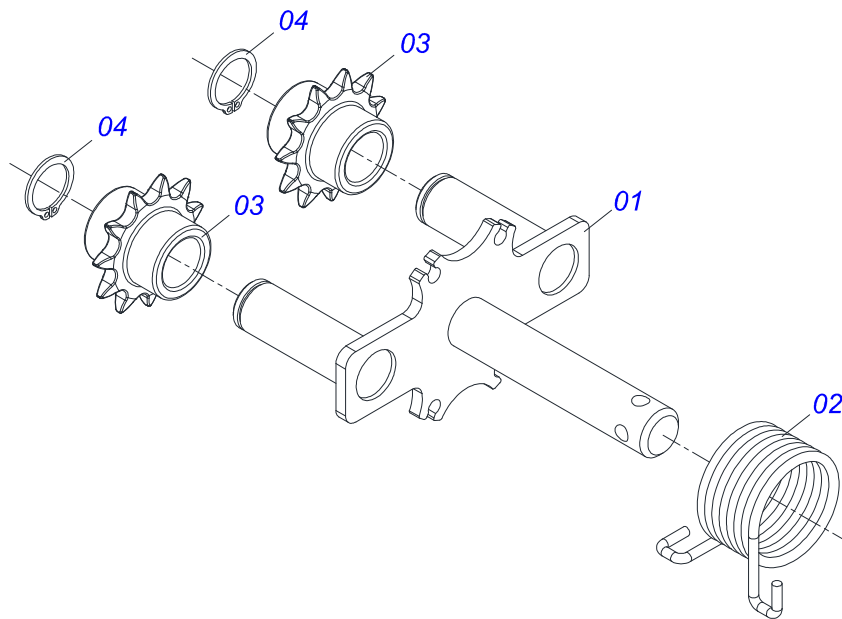




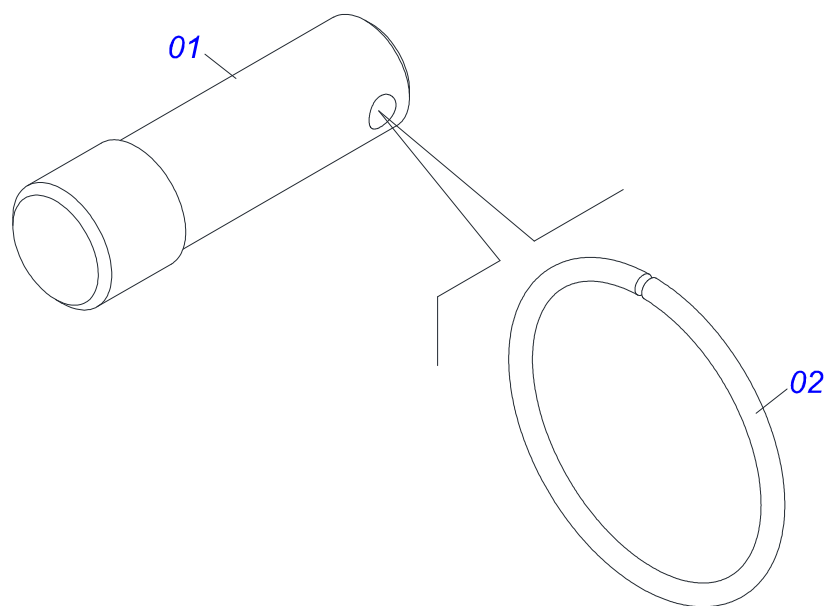
Item	Code	Description	See page	QT
01	0511060393	CHAIN TENSIONER ASSY		01
02	0503031366	RIGHT TWISTED SPRING		01
03	0503031805	11Z 1/2" GEAR		02
04	0503010302	501019 SEAL RING		02



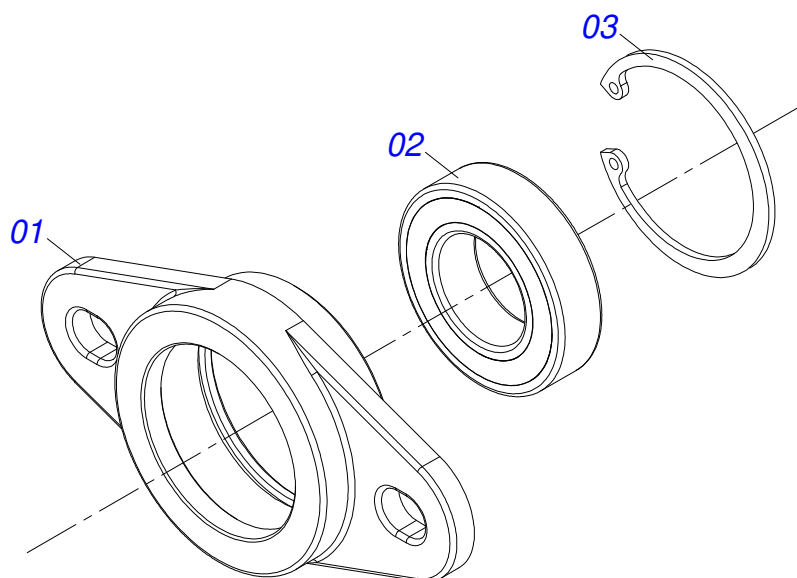
Item	Code	Description	See page	QT
01	0511060392	CHAIN TENSIONER		01
02	0503031367	SPRING		01
03	0503031805	11Z 1/2" GEAR		02
04	0503010302	501019 SEAL RING		02



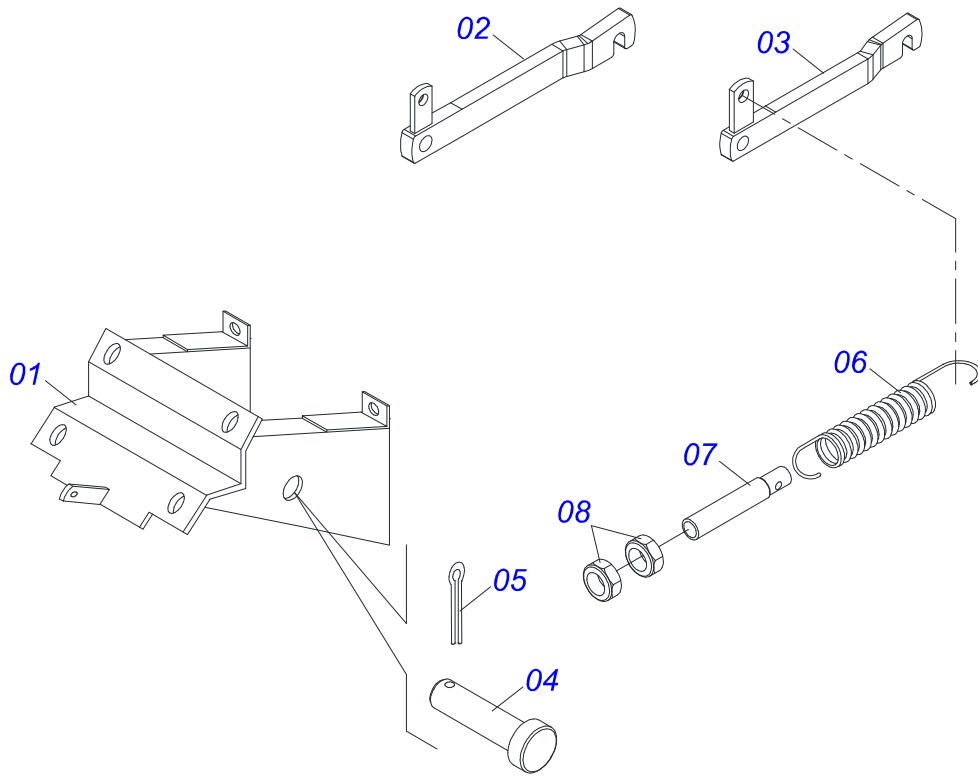
Item	Code	Description	See page	QT
01	0511060393	CHAIN TENSIONER ASSY		01
02	0503031367	SPRING		01
03	0503031805	11Z 1/2" GEAR		02
04	0503010302	501019 SEAL RING		02



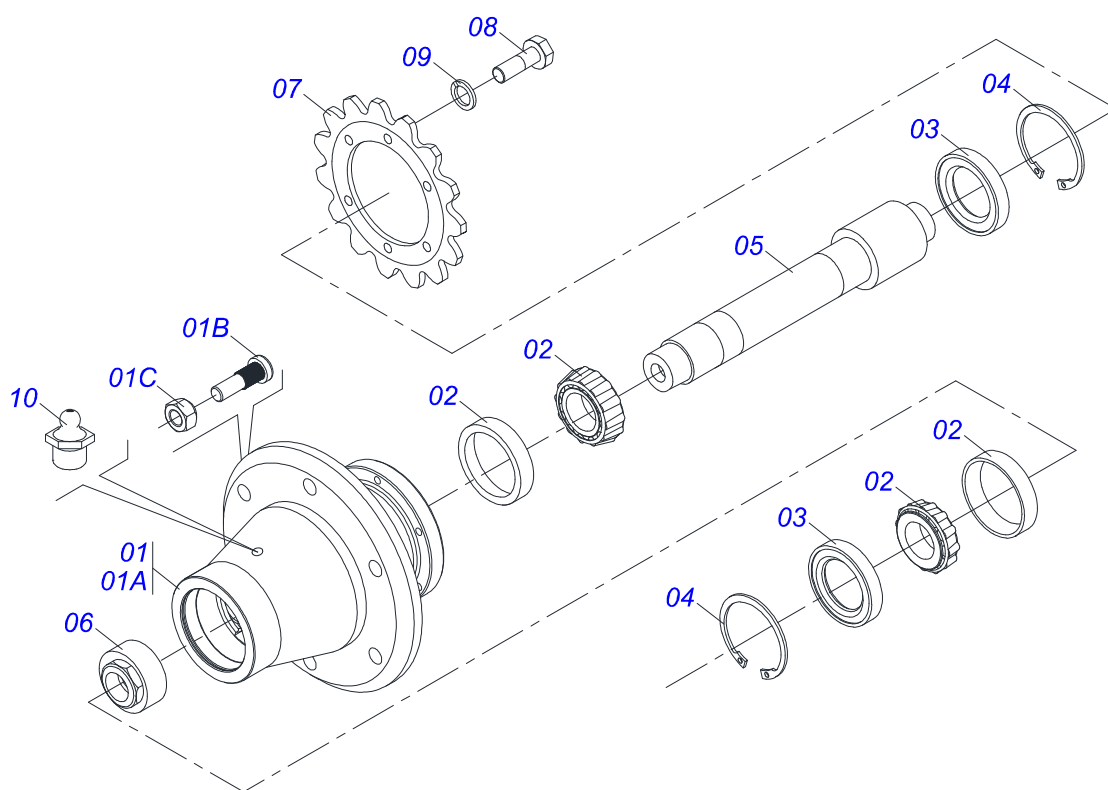
Item	Code	Description	See page	QT
01	0521012476	GEAR BOX LEVER AXLE		01
02	0503031369	LINK		01



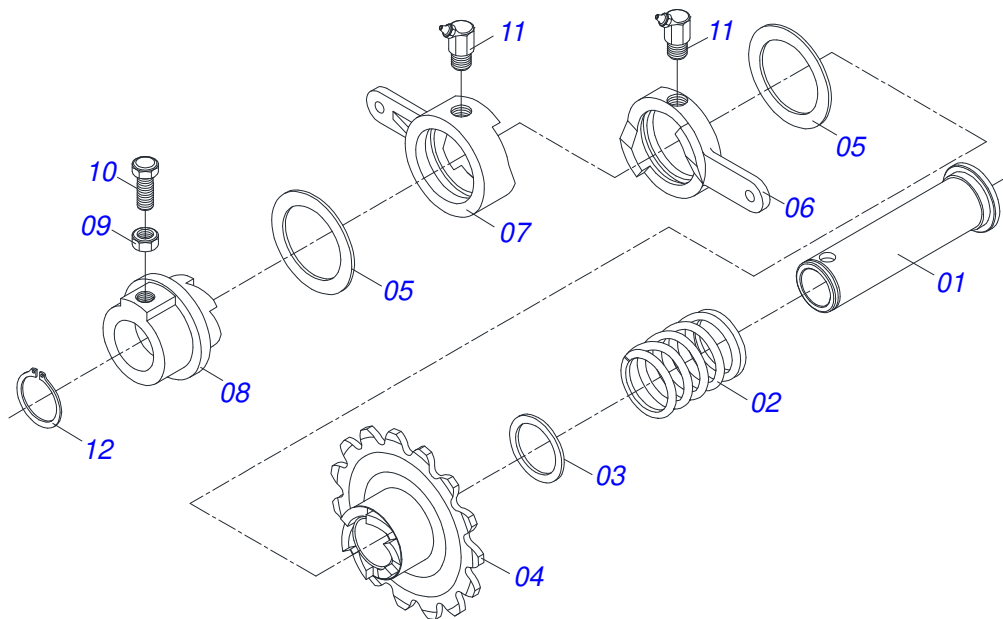
Item	Code	Description	See page	QT
01	0502011697	GEARBOX SUPPORT		01
02	0503011410	ROLLER BEARING		01
03	0503011105	SEAL RING		01



Item	Code	Description	See page	QT
001	0501067549	WHEEL SUPPORT		01
002	0501067177	WHEEL RIGHT ARM		01
003	0501067178	WHEEL LEFT ARM		01
004	0521010648	1.2" X 2.2" COUPLING SHAFT		02
005	0503010523	1/4" X 2" SPLIT PIN		02
006	0503030425	1" X 6" X 0.2" TRACTION SPRING		02
007	0501013491	5/8" TENSIONER SPRING		02
008	0503010013	5/8" UNC G.5 ZN HEX NUT		04

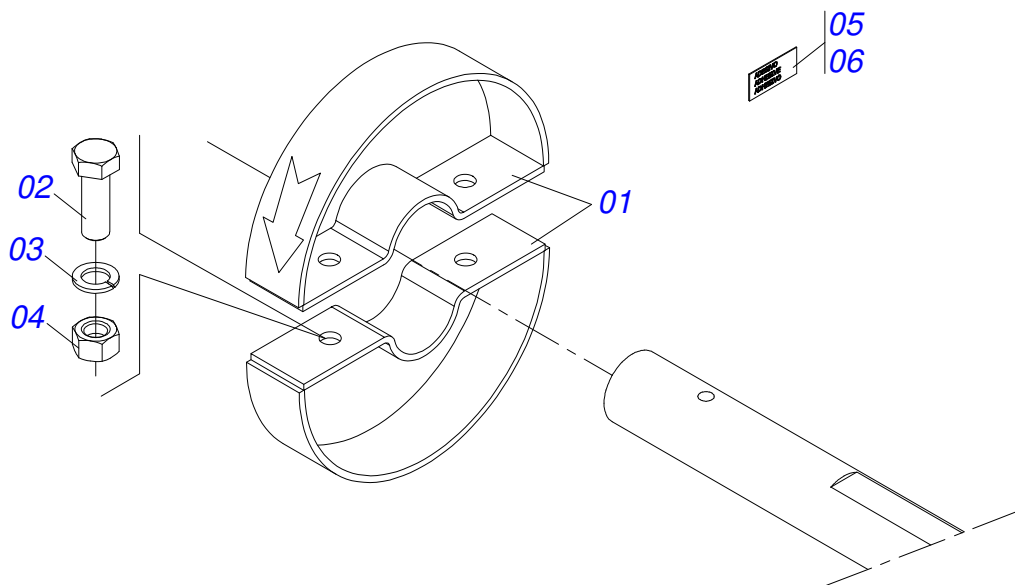


Item	Code	Description	See page	QT
01	0501110737	CARRYING WHEEL HUB		01
01A	0502011284	CARRYING WHEEL HUB		01
01B	0501010127	9/16" X 1-7/8" LUG BOLT		06
01C	0503010035	9/16" CONIC NUT		06
02	0503010037	30207 ROLLER BEARING		02
03	0503010590	00674-B SEAL		02
04	0503010370	502072 CLAMPING RING (FOR AXLE)		02
05	0511015300	WHEELS AXLE		01
06	0502040663	ADJUSTMENT NUT		01
07	0502011339	15Z GEAR P 1.25"		01
08	0503010240	BOLT		06
09	0503011444	SPRING WASHER 5/16"		06
10	0503010002	1800 GREASE FITTING		01

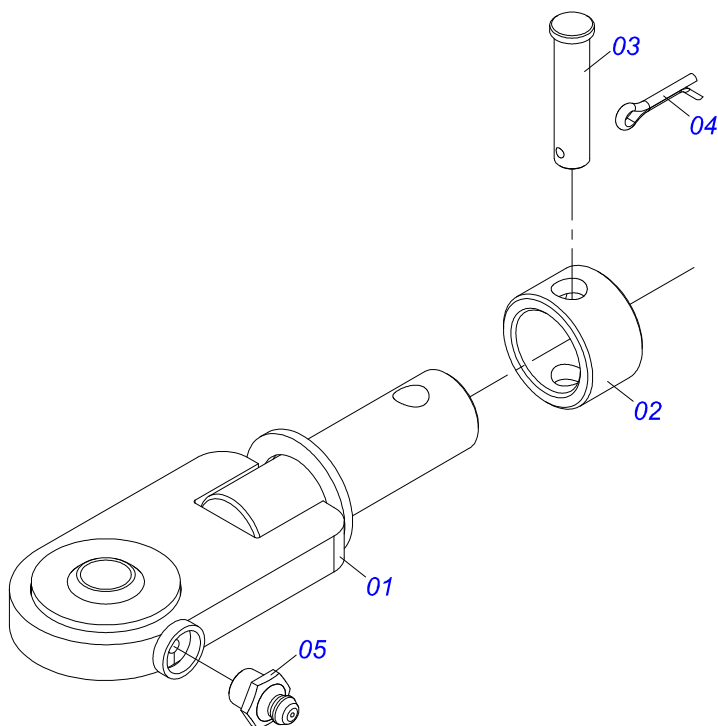


Item	Code	Description	See page	QT
01	0501110220	MECHANICAL RATCHET AXLE		01
02	0503030553	2.3"X 2.5"X 0.2"COMPRESSION SPRING		01
03	0501019735	FLAT WASHER		01
04	0502011329	14Z 1.25" PITCH RIGHT GEAR		01
05	0501019734	FLAT WASHER		02
06	0502010711	RIGHT CAM,LARGER		01
07	0502010710	RIGHT CAM, SMALLER		01
08	0502010708	RH DRIVING AXLE FOLLOWER		01
09	0503010060	1/2 UNC G.5 ZN HEX NUT		01
10	0503011082	C1/2" X 1.3/4" SCREW		01
11	0503010003	1845 GREASE FITTING		02
12	0503010542	501045 CLAMPING RING (FOR AXLE)		01

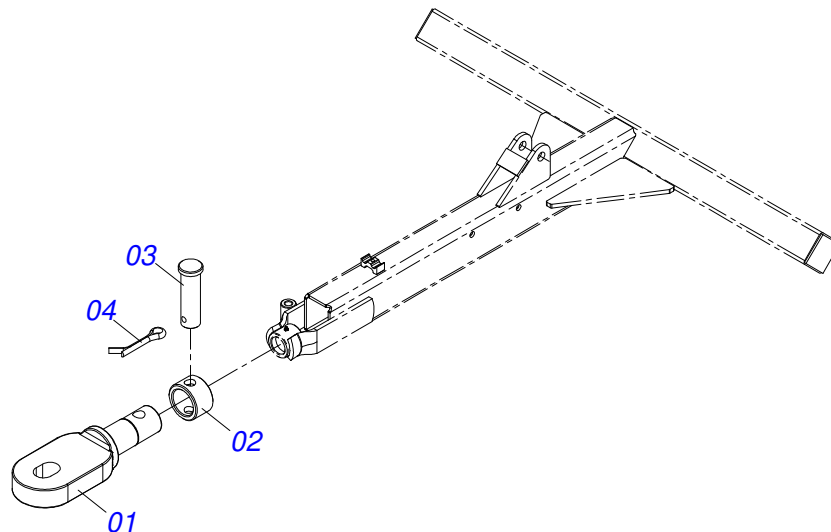




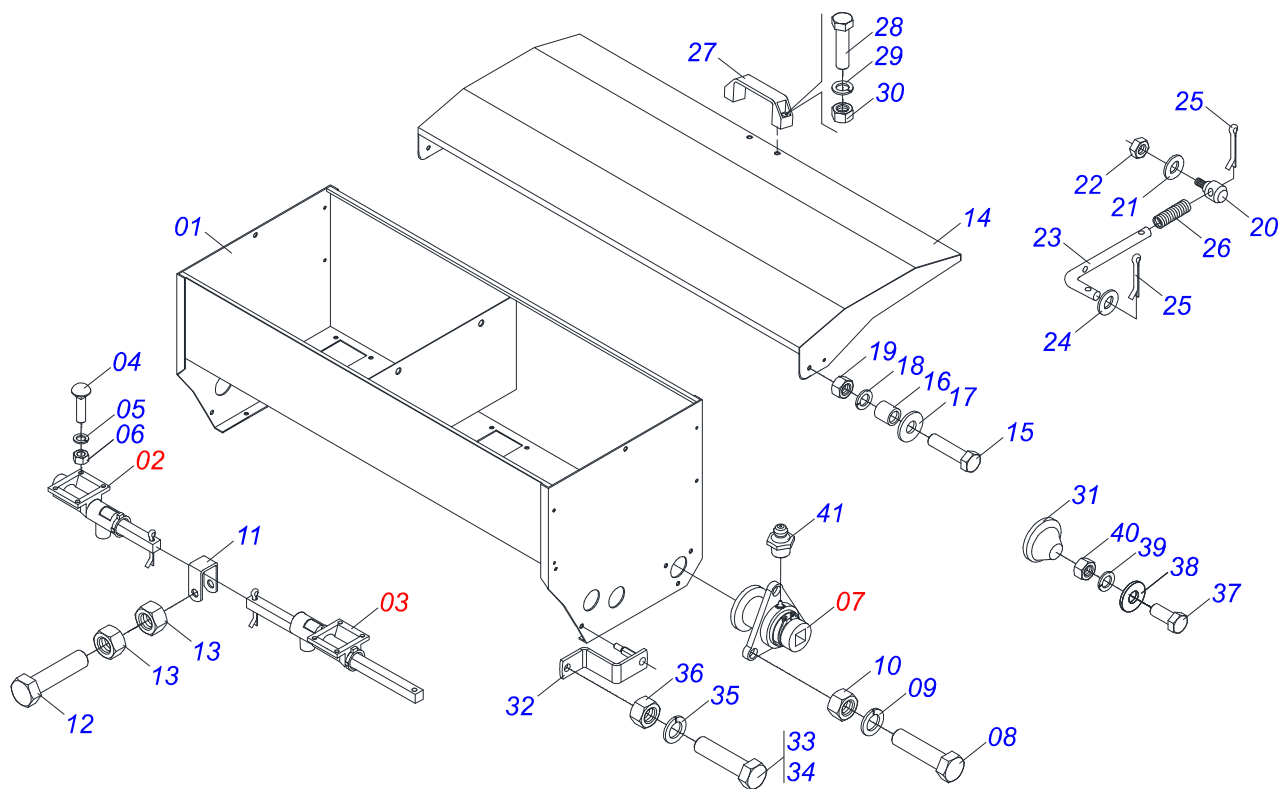
Item	Code	Description	See page	QT
01	0503031825	AXLE MOTOR SLOW-MOVING		02
02	0503010240	BOLT		02
03	0503010179	LOCK WASHER 5/16 ZN 1K01528		02
04	0503010337	NUT 5/16 UNC G.5 ZN		02
05	0503031584	ADHESIVE LABEL		01
06	0503031585	ADHESIVE LABEL		01



Item	Code	Description	See page	QT
001	0511062245	TRACTOR HITCH ASSY		01
002	0521010681	BUSHING COUPLING BODY		01
003	0521010639	COUPLING SHAFT		01
004	0503010571	1/4" X 1.1/2" SPLIT PIN		01
005	0503010002	1800 GREASE FITTING		01



Item	Code	Description	See page	QT
01	0521010681	BUSHING COUPLING BODY		01
02	0502040556	HITCH TURNER		01
03	0521010639	COUPLING SHAFT		01
04	0503010571	1/4" X 1.1/2" SPLIT PIN		01



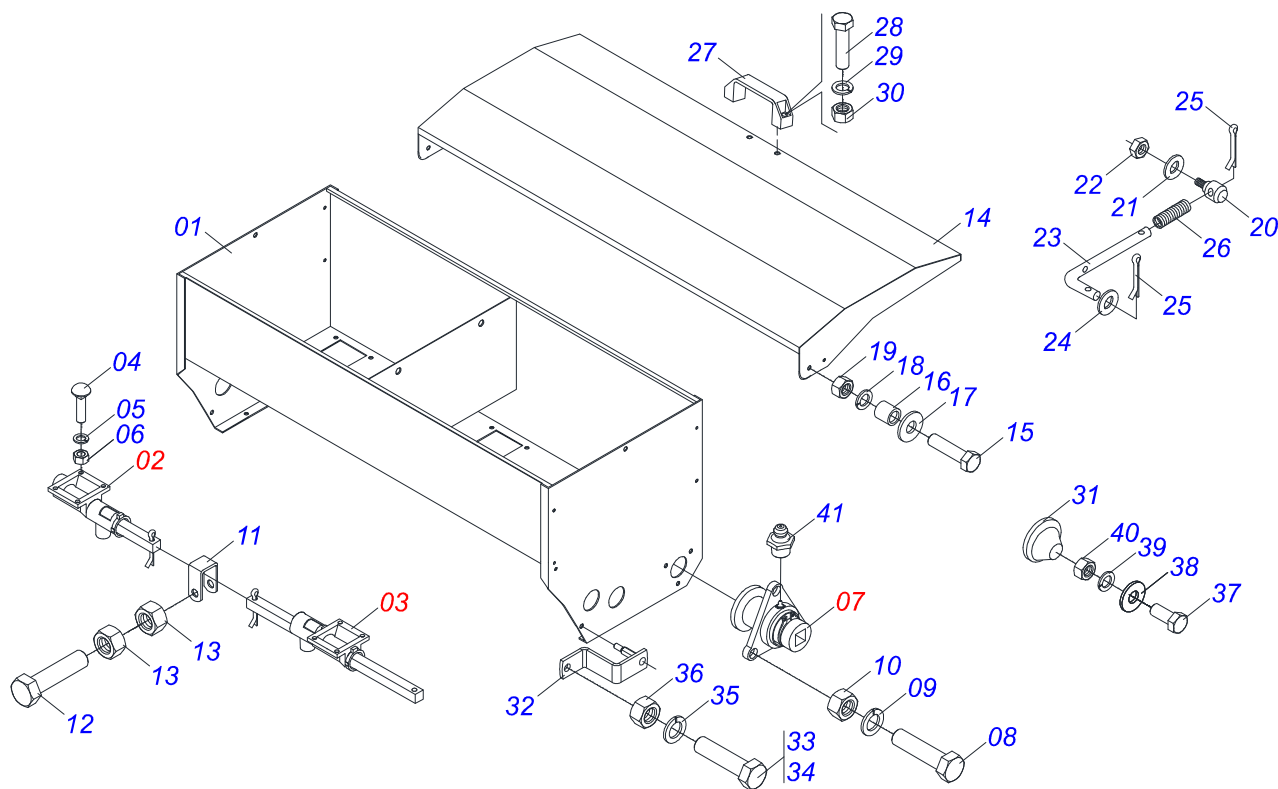
Item	Code	Description	See page	QT
01	0501069249	RIGHT BOX FERTILIZER		01
02	0501050273	LH FERTILIZER METERING	23	04
03	0501050455	LH FERTILIZER METERING	24	01
04	0501011643	3/8 X 1" BOLT		20
05	0503011443	SPRING WASHER 3/8"		20
06	0503010026	3/8" NUT		20
07	0501050274	BOX BEARING ASSY	25	01
08	0501010161	BOLT 1/2" UNC X 1.1/4" C S G.2 ZN		03
09	0503011440	SPRING WASHER		03
10	0503010060	1/2 UNC G.5 ZN HEX NUT		03
11	0501017476	DRAGING		04
12	0503010397	5/16" X 1-3/4" BOLT		04
13	0503010337	NUT 5/16 UNC G.5 ZN		08
14	0501069261	FERTILIZER BOX COVER		01
15	0503010421	5/16" X 1-1/2" BOLT		02
16	0521011116	COVER PIVOT BUSHING		02
17	0501010694	FLAT WASHER 32,50 X 75 X 4,75		02
18	0503010179	LOCK WASHER 5/16 ZN 1K01528		02
19	0503010337	NUT 5/16 UNC G.5 ZN		02
20	0521011117	PIVOT SPRING AXLE		02
21	0501010984	10,50 X 27 X 3,00 FLAT WASHER		02
22	0503010026	3/8" NUT		02
23	0521011120	COVER PIVOT SHAFT		02
24	0501010694	FLAT WASHER 32,50 X 75 X 4,75		02
25	0503010140	1/8" X 3/4" SPLIT PIN		04
26	0503031329	COMPRESSION SPRING		02
27	0503011907	NYLON HANDLE		02
28	0503010363	BOLT 5/16 UNC X 1 C S G.2 ZN		02
29	0501010694	FLAT WASHER 32,50 X 75 X 4,75		02
30	0503010337	NUT 5/16 UNC G.5 ZN		02



PST3 - ROWS 10/10  
RIGHT BOX FERTILIZER

Page 21  
0501052332

Item	Code	Description	See page	QT
31	0503031363	13 X 12 PLUG		04
32	0501069631	COVER FIXER		02
33	0503010834	1/2 X 1 BOLT		02
34	0503010920	1/2 UNC X 1.1/2 C S G.5 ZN BOLT		02
35	0503010019	1/2" SPRING WASHER		04
36	0503010060	1/2 UNC G.5 ZN HEX NUT		04
37	0503010751	C3/8" X 1.1/4" HEX BOLT G.5		04
38	0501010984	10,50 X 27 X 3,00 FLAT WASHER		08
39	0503010025	3/8 SPRING WASHER		04
40	0503010026	3/8" NUT		04
41	0503010002	1800 GREASE FITTING		02



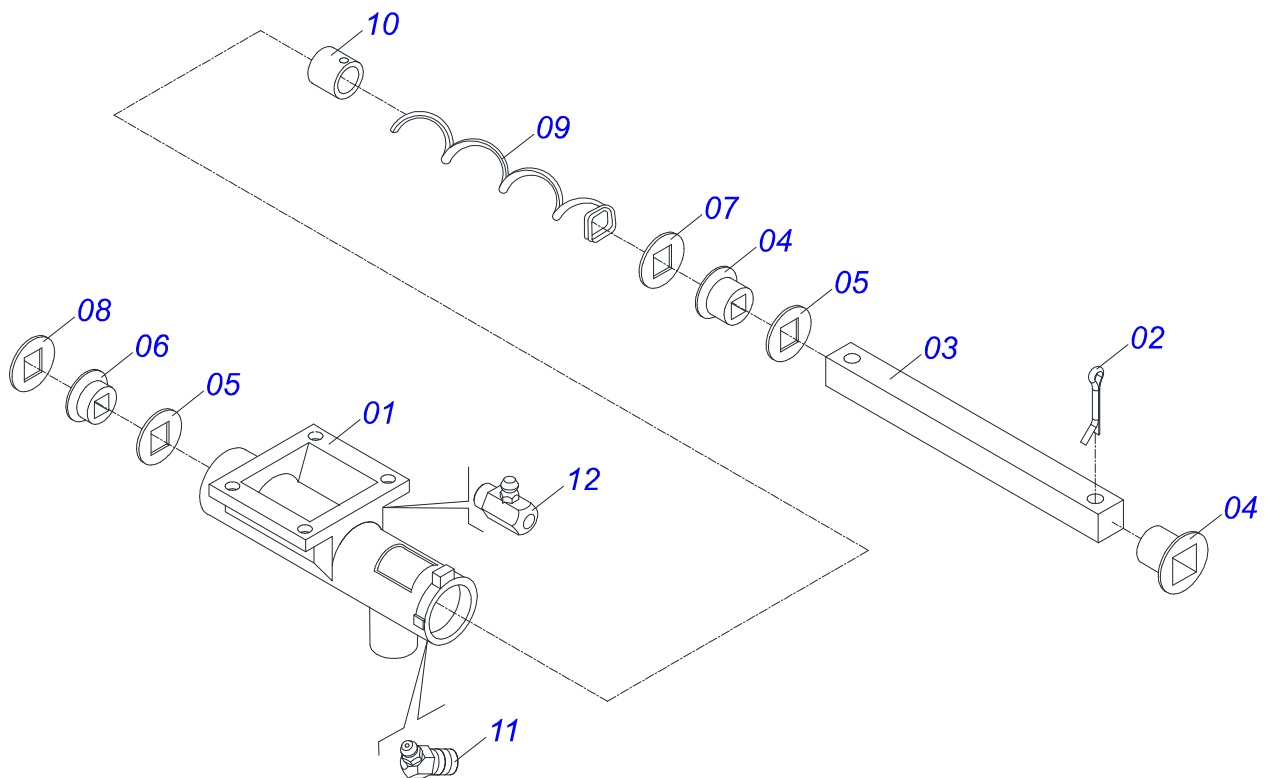
Item	Code	Description	See page	QT
01	0501069250	LEFT BOX FERTILIZER		01
02	0501050272	DISTRIBUTOR OF RIGHT FERTILIZER		04
03	0501050454	RIGHT ABONO DISTRIBUTOR		01
04	0501011643	3/8 X 1" BOLT		20
05	0503011443	SPRING WASHER 3/8"		20
06	0503010026	3/8" NUT		20
07	0501050274	BOX BEARING ASSY	25	01
08	0501010161	BOLT 1/2" UNC X 1.1/4" C S G.2 ZN		03
09	0503011440	SPRING WASHER		03
10	0503010060	1/2 UNC G.5 ZN HEX NUT		03
11	0501017476	DRAGING		04
12	0503010397	5/16" X 1-3/4" BOLT		04
13	0503010337	NUT 5/16 UNC G.5 ZN		08
14	0501069261	FERTILIZER BOX COVER		01
15	0503010421	5/16" X 1-1/2" BOLT		02
16	0521011116	COVER PIVOT BUSHING		02
17	0501010694	FLAT WASHER 32,50 X 75 X 4,75		02
18	0503010179	LOCK WASHER 5/16 ZN 1K01528		02
19	0503010337	NUT 5/16 UNC G.5 ZN		02
20	0521011117	PIVOT SPRING AXLE		02
21	0501010984	10,50 X 27 X 3,00 FLAT WASHER		02
22	0503010026	3/8" NUT		02
23	0521011120	COVER PIVOT SHAFT		02
24	0501010694	FLAT WASHER 32,50 X 75 X 4,75		02
25	0503010140	1/8" X 3/4" SPLIT PIN		04
26	0503031329	COMPRESSION SPRING		02
27	0503011907	NYLON HANDLE		02
28	0503010363	BOLT 5/16 UNC X 1 C S G.2 ZN		02
29	0501010694	FLAT WASHER 32,50 X 75 X 4,75		02
30	0503010337	NUT 5/16 UNC G.5 ZN		02



PST3 - ROWS 10/10  
LEFT BOX FERTILIZER

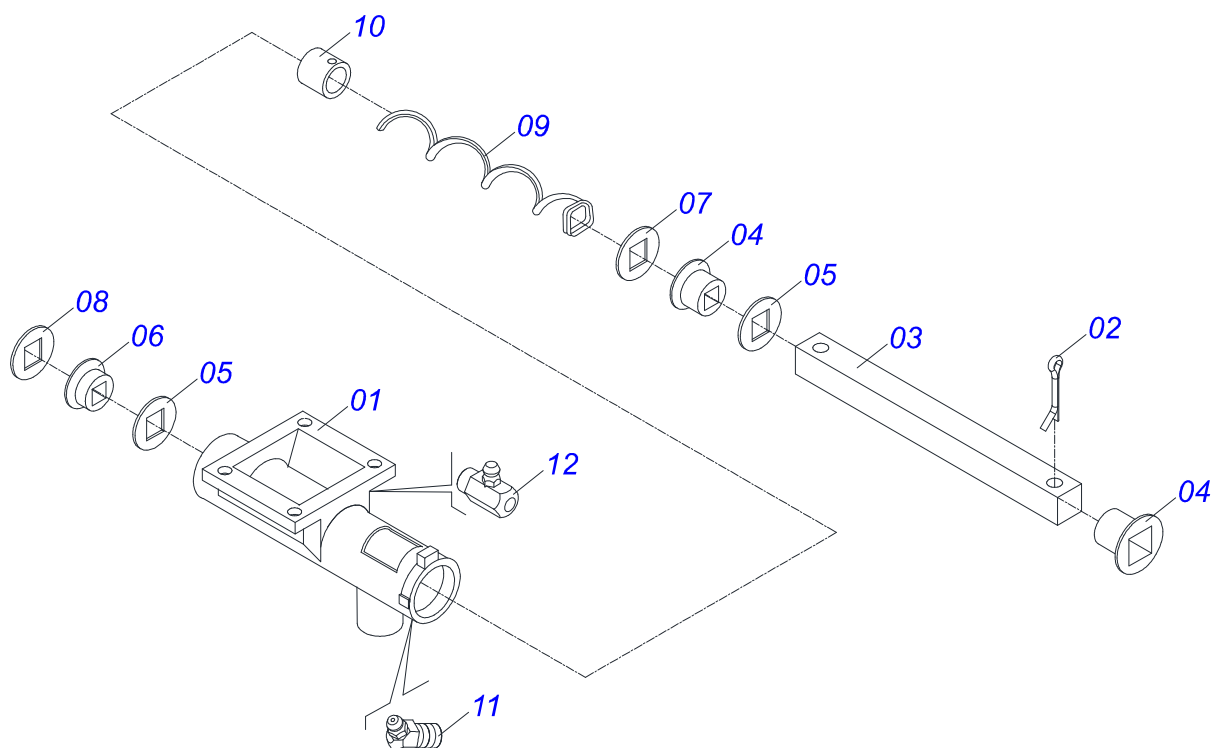
Page 22  
0501052333

Item	Code	Description	See page	QT
31	0503031363	13 X 12 PLUG		04
32	0501069631	COVER FIXER		02
33	0503010834	1/2 X 1 BOLT		02
34	0503010920	1/2 UNC X 1.1/2 C S G.5 ZN BOLT		02
35	0503010019	1/2" SPRING WASHER		04
36	0503010060	1/2 UNC G.5 ZN HEX NUT		04
37	0503010751	C3/8" X 1.1/4" HEX BOLT G.5		04
38	0501010984	10,50 X 27 X 3,00 FLAT WASHER		08
39	0503010025	3/8 SPRING WASHER		04
40	0503010026	3/8" NUT		04
41	0503010002	1800 GREASE FITTING		02

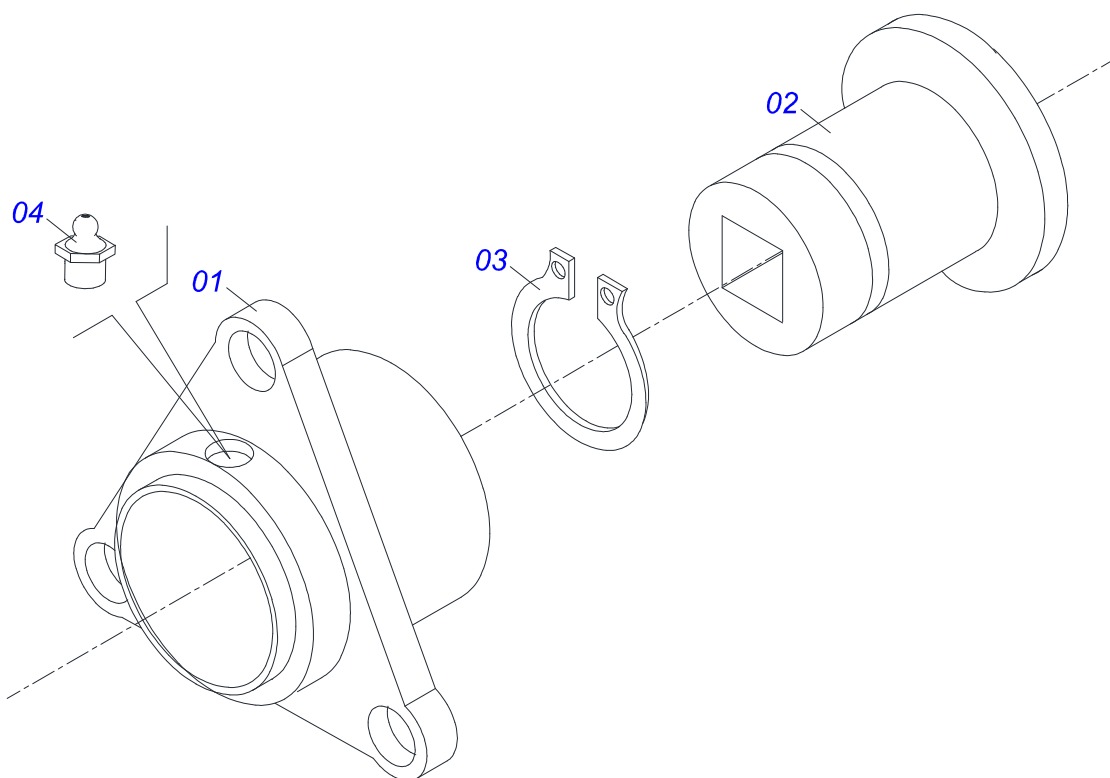


Item	Code	Description	See page	QT
01	0501110120	FERTILIZER DISTRIBUTOR BODY		01
02	0503013155	1/4" X 1.1/4" SPLIT PIN		02
03	0501017391	3/4" X 14.3" SQUARE SHAFT		01
04	0503030275	AGRICULTURAL BEARING		02
05	0501013774	GREASE SEAL		01
06	0503030303	SUPPORT WASHER		01
07	0501010637	FLAT WASHER		01
08	0511017137	FLAT WASHER		01
09	0503031165	LEFT HELICOID CONDUCTOR		01
10	0521010309	SLEEVE INTER		01
11	0503012826	GREASE FITTING		01
12	0503011962	GREASE FITTING		01

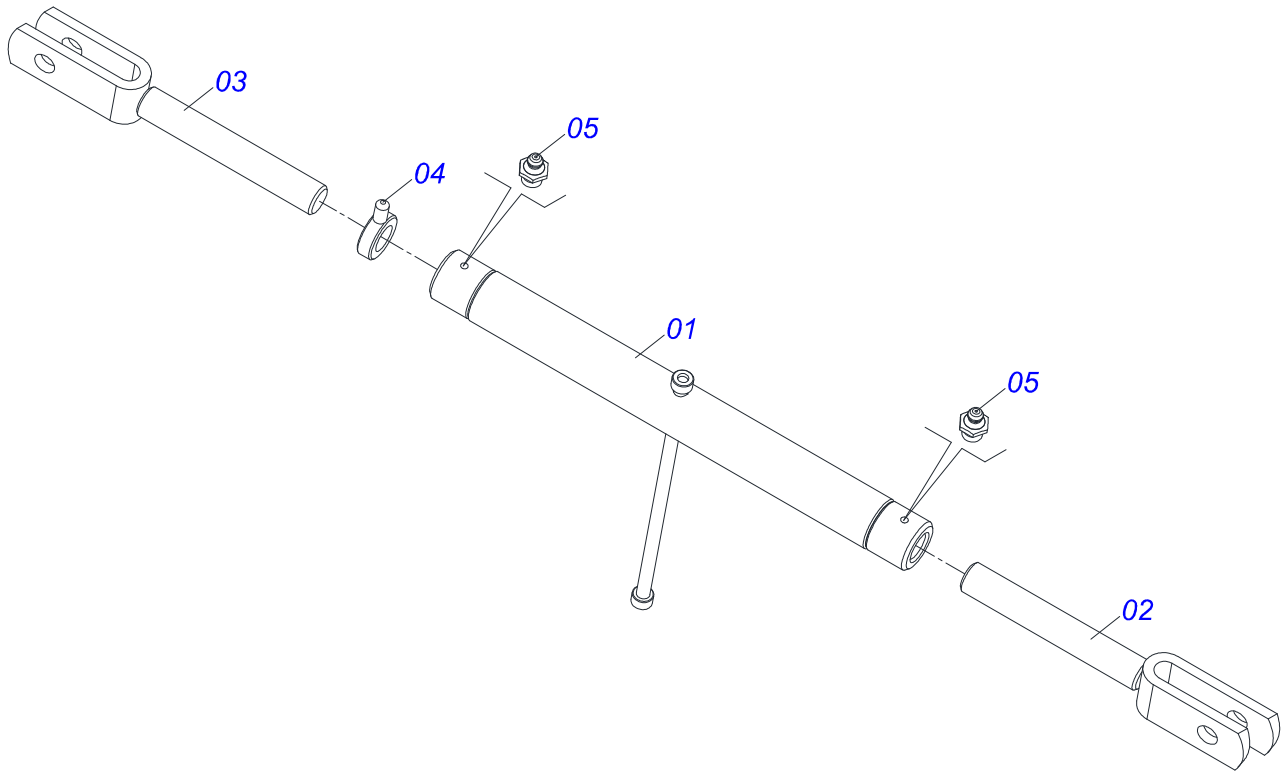




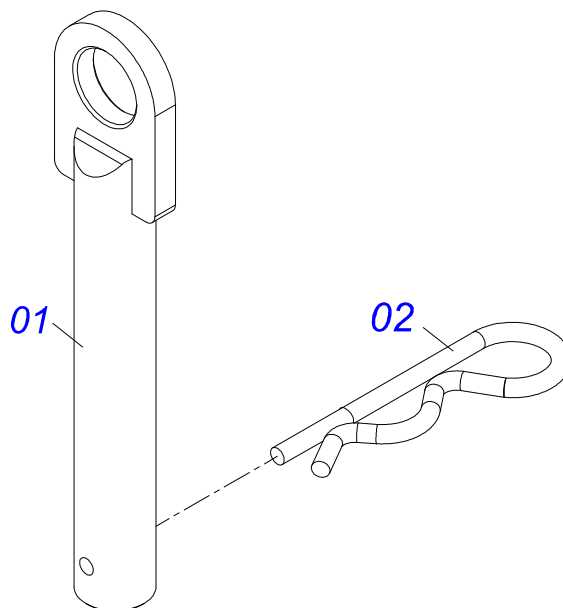
Item	Code	Description	See page	QT
01	0501110120	FERTILIZER DISTRIBUTOR BODY		01
02	0503013155	1/4" X 1.1/4" SPLIT PIN		02
03	0501017394	3/4" X 19.4" SQUARE SHAFT		01
04	0503030275	AGRICULTURAL BEARING		02
05	0501013774	GREASE SEAL		01
06	0503030303	SUPPORT WASHER		01
07	0501010637	FLAT WASHER		01
08	0511017137	FLAT WASHER		01
09	0503031165	LEFT HELICOID CONDUCTOR		01
10	0521010309	SLEEVE INTER		01
11	0503012826	GREASE FITTING		01
12	0503011962	GREASE FITTING		01



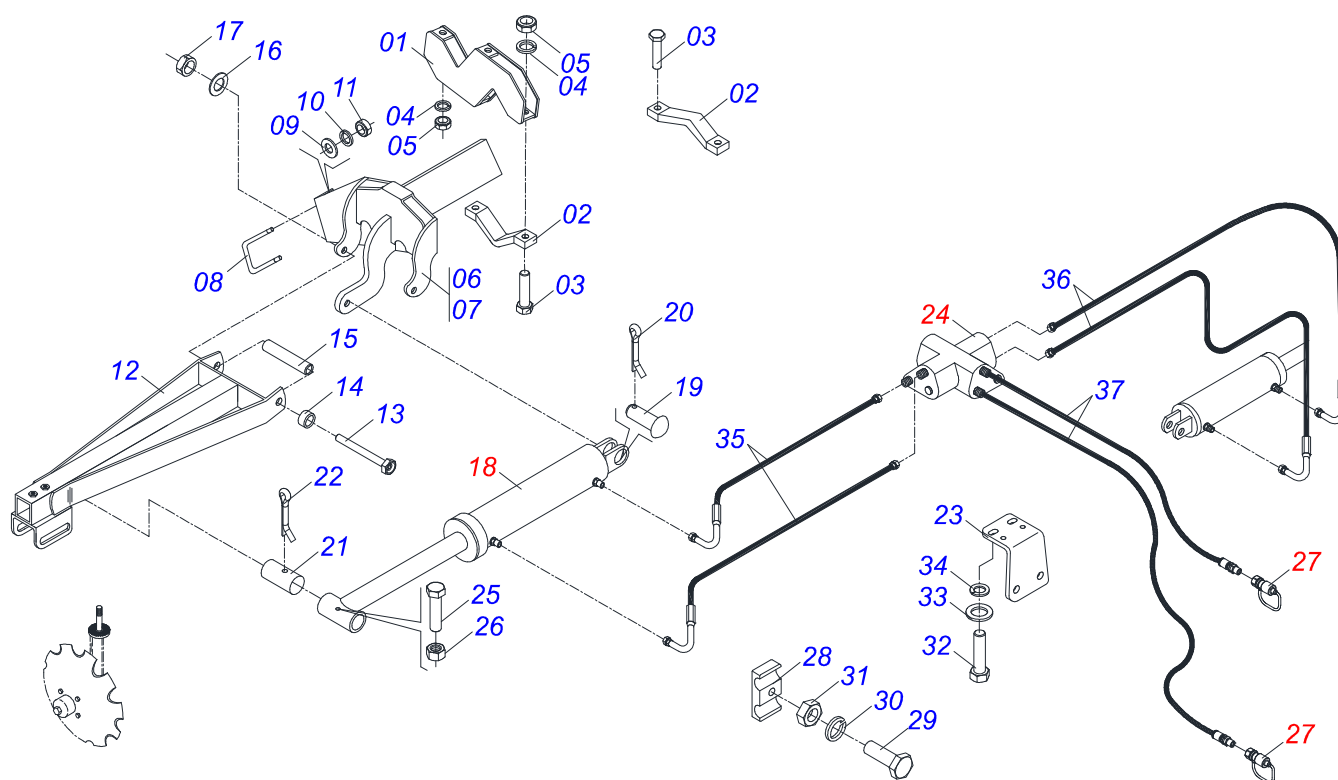
Item	Code	Description	See page	QT
001	0501110001	BOX BEARING ASSY		01
002	0502040379	FERTILIZER BOX BEARINGREEL		01
003	0503010372	501050 CLAMPING RING (FOR AXLE)		01
004	0503010002	1800 GREASE FITTING		01



Item	Code	Description	See page	QT
01	0501067353	508 TURNBUCKLE		01
02	0511062887	RIGHT TURNBUCKLE		01
03	0511062888	LH TURNBUCKLE		01
04	0501061056	1.1/2" RIGHT LOCK-NUT		01
05	0503010002	1800 GREASE FITTING		02



Item	Code	Description	See page	QT
01	0501068989	COUPLING SHAFT		01
03	0503031035	HITCH PIN CLIP		01



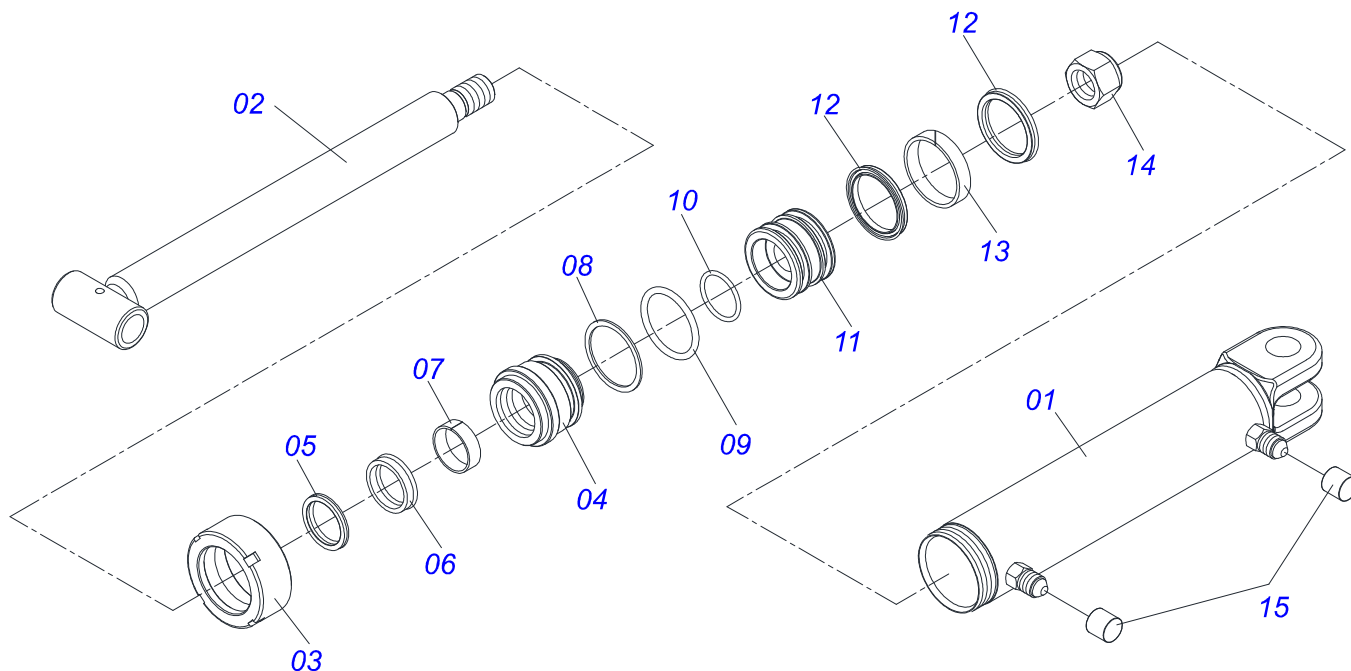
Item	Code	Description	See page	QT
01	0511062984	ROW MARKER SMALLER SUPPORT		02
02	0502010175	HITCH CLAMP		04
03	0501010216	3/4 UNC X 4.1/2 C S G.5 ZN BOLT		08
04	0503010023	3/4" SPRING WASHER		08
05	0503010014	3/4" ZN G.5 (HEAVY) UNC HEX NUT		08
06	0511062982	RH LARGER SUPPORT		01
07	0511062983	LH LARGER SUPPORT		01
08	0521014021	1/2" X 4.5" X 5.4" FASTENER		02
09	0511017302	FLAT WASHER 13,50 X 32,50 X 3,0 ZN		04
10	0503010019	1/2" SPRING WASHER		04
11	0503010060	1/2 UNC G.5 ZN HEX NUT		04
12	0501069470	ROW MARKER ARM		02
13	0521061655	BOLT 5/8 UNC X 320 MM		02
14	0521010479	SLEEVE ARTICULATION		04
15	0521017687	SPACING SLEEVE		02
16	0501012140	FLAT WASHER 16,50 X 40 X 4,00 ZN		04
17	0503012412	5/8" UNC SELF LOCKING NUT		02
18	0511040203	1.5" X 2.5" X 19" X 9" HYDRAULIC CYLINDER	29	02
19	0521010575	C0.9" X 3.3" COUPLING SHAFT		02
20	0503010571	1/4" X 1.1/2" SPLIT PIN		02
21	0511015779	1" X 4.2" AXLE		02
22	0503010523	1/4" X 2" SPLIT PIN		02
23	0511011311	VALVE SUPPORT		01
24	0501054649	HBM SEQUENTIAL VALVE	30	01
25	0503010373	SCREW 1/4 UNC X 2 CS G.2 ZN		02
26	0503014876	NUT PARLOCK 1/4"		02
27	0501053834	MALE QUICK COUPLER	31	02
28	0502010477	HOSE CLAMP		04
29	0503011195	7/16" X 1.3/4" BOLT		04
30	0503010180	7/16" SPRING WASHER		04



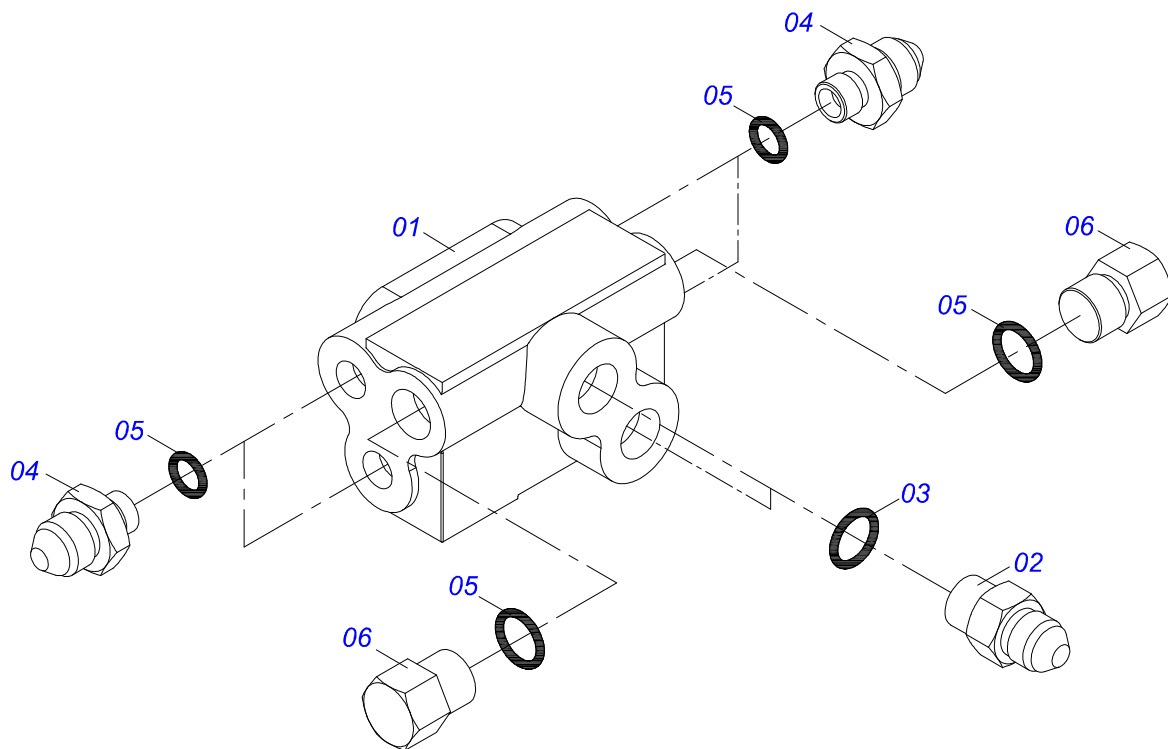
HYDRAULIC MARKER ASSEMBLY

0909096939

Item	Code	Description	See page	QT
31	0503010244	7/16" NUT		04
32	0503010751	C3/8" X 1.1/4" HEX BOLT G.5		02
33	0501010984	10,50 X 27 X 3,00 FLAT WASHER		02
34	0503010025	3/8 SPRING WASHER		02
35	0501080414	3/8" X 110.2" TR-TC HOSE ASSY		02
36	0501080397	3/8" X 120" TR-TC HOSE		02
37	0501080510	3/8" X 137.80" TR-TM HOSE		02

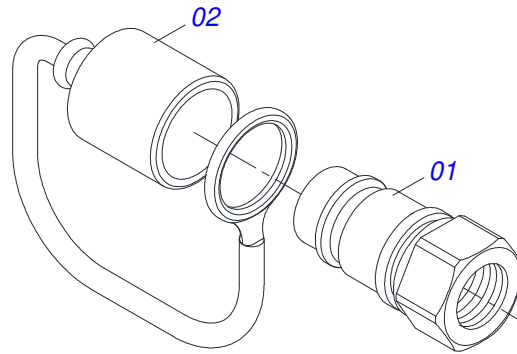


Item	Code	Description	See page	QT
01	0511062810	2.5" X 15"CYLINDER CASE		01
02	0501065662	HYDRAULIC CYLINDER TURNBUCKLE		01
03	0502010471	63,50 MOBILE CAP		01
04	0502010780	RING SUPPORT		01
05	0503010163	D-1500 SCRAPER RING		01
06	0503010989	1870-1500-375-B GASKET		01
07	0503010970	W1-1650-500 PK O'RING G.E		01
08	0503011058	8-330 BACK-UP RING		01
09	0503010161	2-330 N 3006 9B O'RING		01
10	0503010285	2-222 N 3006-9B O'RING		01
11	0502010783	1.5" X 2.5" PISTON		01
12	0503010160	2500 2000 GASKET		02
13	0503010973	W2-2500-500 PK O'RING G.E		01
14	0503010063	1" SELF-ALIGNING NUT		01
15	0503030384	CON PLUG N-001		02
16	0501032666	HYDRAULIC CYLINDER REPAIR KIT		01

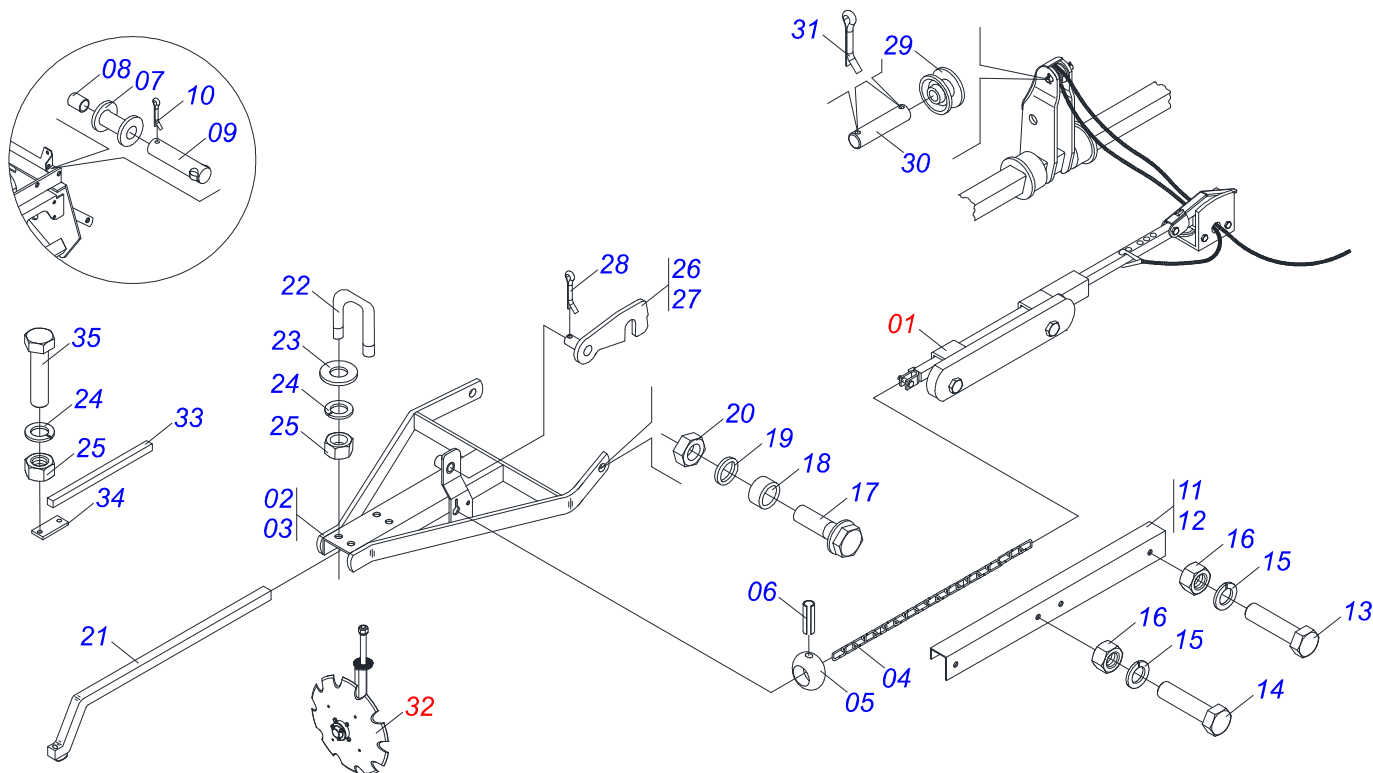


Item	Code	Description	See page	QT
01	0503060132	VDFS-002 T SEQUENCAL VALVE		01
02	0501010617	NIPLE 3/4" NF X 3/4" NF HEX. 7/8" X 44		02
03	0503010190	2-114 N 3006-9B O'RING		02
04	0501012109	3/4" X 9/16" NIPPLE FITTING		04
05	0503011036	2-111 N 3006-9B O'RING		06
06	0531019339	9/16" UNF X 12 PUMP		02





Item	Code	Description	See page	QT
01	0503011627	MALE QUICK COUPLER AGR 1/2 NPT		01
02	0503011882	MALE QUICK COUPLER CAP		01



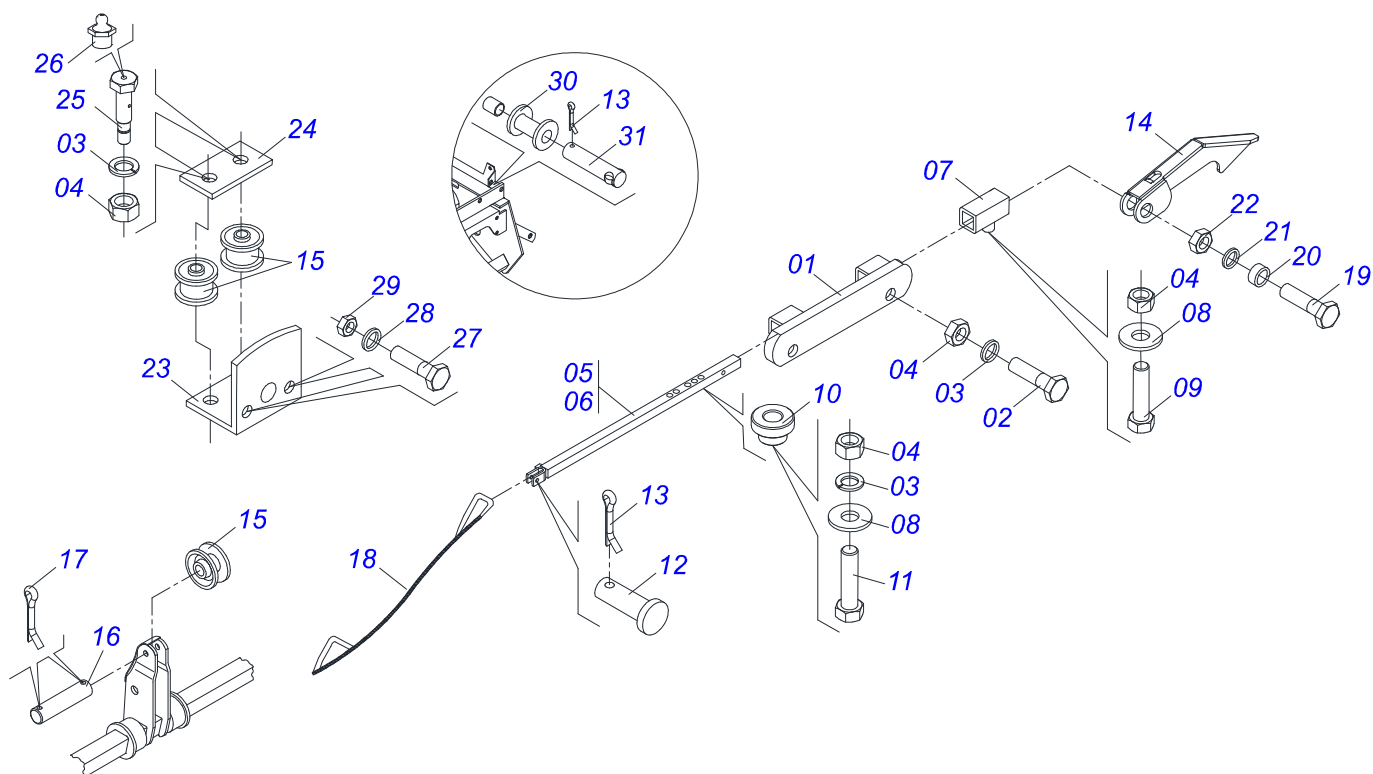
Item	Code	Description	See page	QT
01	0501043881	ROW MARKER PIVOT	33	01
02	0511060553	ROW MARKER SUPPORTE RIGHT		01
03	0511060554	ROW MARKER SUPPORTE LEFT		01
04	0503011128	6,4 X 1400 CHAIN		02
05	0502011291	CHAIN SLEEVE		02
06	0503010683	0,2" X 1,2" SPRING PIN		02
07	0502010421	SIDE PULLEY		02
08	0521010445	0.53" X 0.75" X 0.45" SLEEVE		02
09	0521010641	COUPLING SHAFT		02
10	0503010140	1/8" X 3/4" SPLIT PIN		02
11	0511011272	PROTECTION COVER ARM/DISARMENT		01
12	0511011273	PROTECTION COVER ARM/DISARMENT		01
13	0503010395	1/2" X 1-1/4" BOLT		02
14	0511017961	1/2" X 1-1/4" REB BOLT		02
15	0503010019	1/2" SPRING WASHER		04
16	0503010060	1/2 UNC G.5 ZN HEX NUT		04
17	0503010769	5/8" X 2-1/4" BOLT		04
18	0521010479	SLEEVE ARTICULATION		04
19	0503010027	5/8 SPRING WASHER		04
20	0503010013	5/8" UNC G.5 ZN HEX NUT		04
21	0501069643	890 TURNBUCKLE		02
22	0521014411	1/2" X 2.76" X 1.54" FASTENER		04
23	0511017302	FLAT WASHER 13,50 X 32,50 X 3,0 ZN		08
24	0503010019	1/2" SPRING WASHER		08
25	0503010060	1/2 UNC G.5 ZN HEX NUT		08
26	0501069297	ROW MARKER LOCK RIGHT		01
27	0501069624	ROW MARKER LOCK LEFT		01
28	0503010257	1/8" X 1" SPLIT PIN		02
29	0502011231	CENTRAL PULLEY		05
30	0511011309	AXLE PULLEY		01



CONJUNTO DEL MARCADOR MANUALES

0909090949

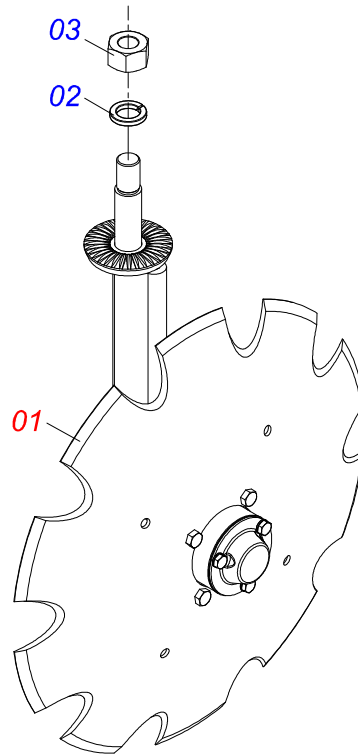
Item	Code	Description	See page	QT
31	0503010257	1/8" X 1" SPLIT PIN		01
32	0501050633	ROW MARKER DISC ASSEMBLY	34	02
33	0521013164	EXTENDER		02
34	0501011310	FIXER LOCK		08
35	0503010706	BOLT 1/2 UNC X 4.1/2 C S G.5 ZN		08



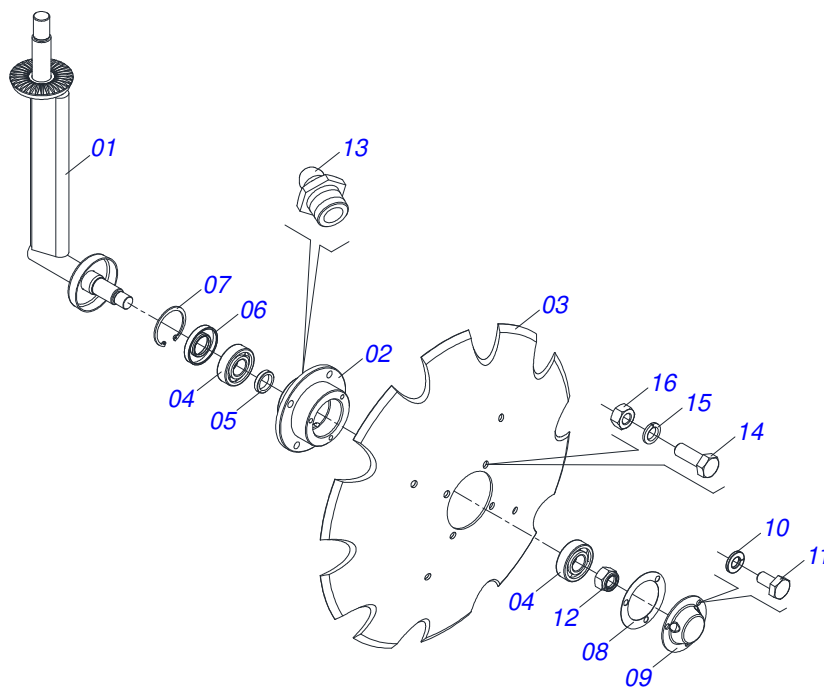
Item	Code	Description	See page	QT
01	0501065640	ROW MARKER ROD GUIDE		02
02	0503010238	BOLT 1/2 UNC X 1.3/4 CS G.2 ZN		04
03	0503010019	1/2" SPRING WASHER		09
04	0503010060	1/2 UNC G.5 ZN HEX NUT		07
05	0501065644	ROW MARKER ARM/DISARMENT ROD		01
06	0501064229	REGULATOR ARM/DISARMENT ROD		01
07	0501062547	ROW MARKER BAR REGULATOR		01
08	0511017302	FLAT WASHER 13,50 X 32,50 X 3,0 ZN		02
09	0503010395	1/2" X 1-1/4" BOLT		01
10	0521010454	0.83" X 1.25" X 0.79" SLEEVE		02
11	0503010734	1/2" X 2-1/2" BOLT		01
12	0521010539	0.3" X 1.2" COUPLING SHAFT		02
13	0503010140	1/8" X 3/4" SPLIT PIN		02
14	0521062281	ROW MARK ARM LOCK		02
15	0502011231	CENTRAL PULLEY		02
16	0511011309	AXLE PULLEY		01
17	0503010257	1/8" X 1" SPLIT PIN		02
18	0503030755	STEEL CABLE		01
19	0501010096	3/8" X 2" BOLT		02
20	0531010415	ROW MARKER ARM/DISARM GUIDE SLEEVE		04
21	0503010025	3/8 SPRING WASHER		02
22	0503010026	3/8" NUT		02
23	0501065642	ROW MARKER SUPPORT		01
24	0521010693	PULLEY FIXER PLATE		01
25	0511011308	BOLT		02
26	0503010691	1/4" GREASE FITTING		02
27	0503010232	5/8" X 1.3/4" BOLT		02
28	0503010027	5/8 SPRING WASHER		02
29	0503010013	5/8" UNC G.5 ZN HEX NUT		02
30	0502010421	SIDE PULLEY		02



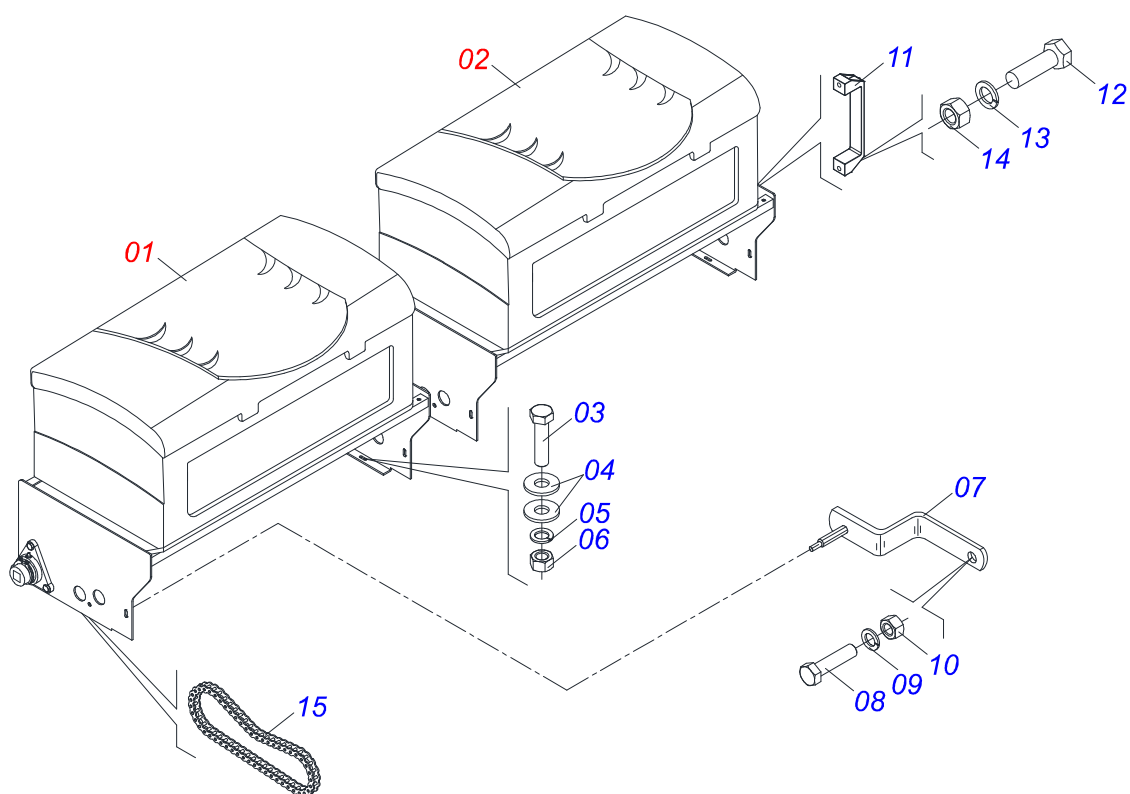
Item	Code	Description	See page	QT
31	0521010641	COUPLING SHAFT		01



Item	Code	Description	See page	QT
01	0511053904	ROW MARKER DISC	35	01
02	0503010023	3/4" SPRING WASHER		01
03	0503010014	3/4" ZN G.5 (HEAVY) UNC HEX NUT		01

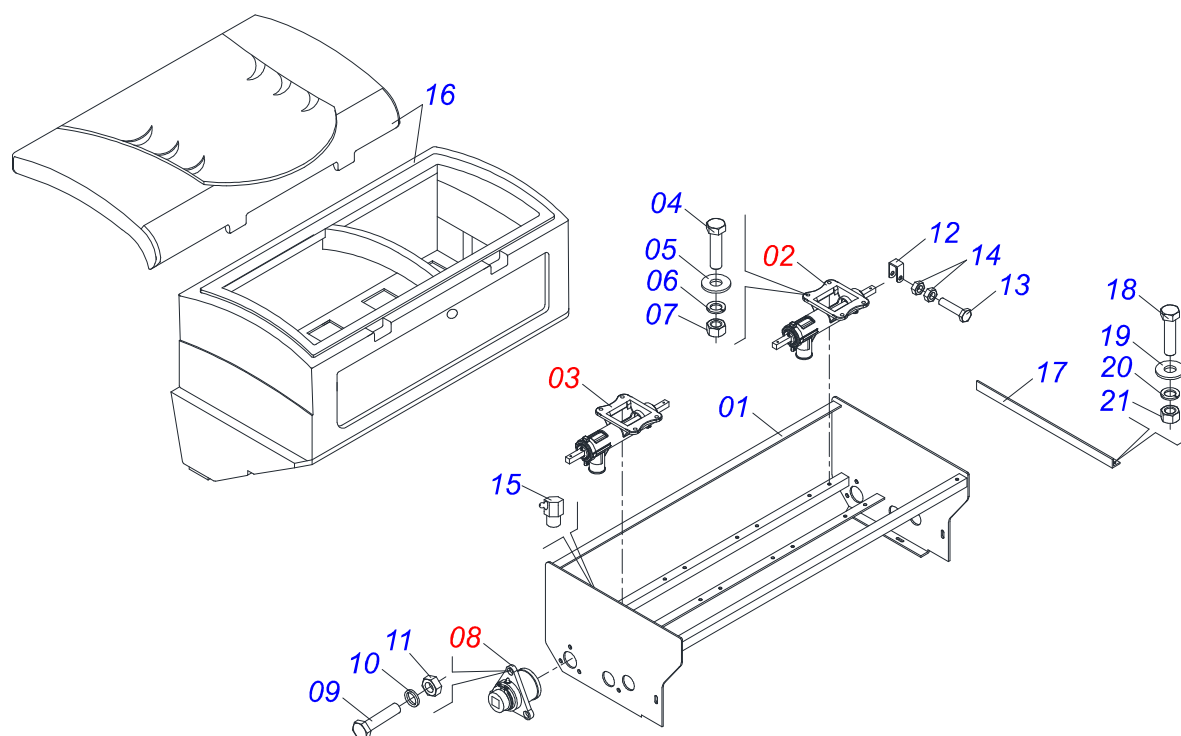


Item	Code	Description	See page	QT
01	0501066800	ROW MARKER DISC AXLE ASSY		01
02	0502011907	DEPTH CONTROL WHEEL HUB		01
03	0602023110	DR16X3 NOTCHED DISC BLADE		01
04	0503010269	6204 BALL BEARING		02
05	0501013636	SPACING SLEEVE		01
06	0503010689	SEAL 00763-BR		01
07	0503011105	SEAL RING		01
08	0503030757	2.9" X 2" X 0.02" JOINT		01
09	0521019178	PROTECTION LID		01
10	0503011441	SPRING WASHER		03
11	0503014729	1/4" UNF X 1/2" BOLT		03
12	0503010878	5/8" SELF ALIGNING NUT		01
13	0503010691	1/4" GREASE FITTING		01
14	0503010358	5/16" X 5/8" BOLT		04
15	0503011444	SPRING WASHER 5/16"		04
16	0503010337	NUT 5/16 UNC G.5 ZN		04

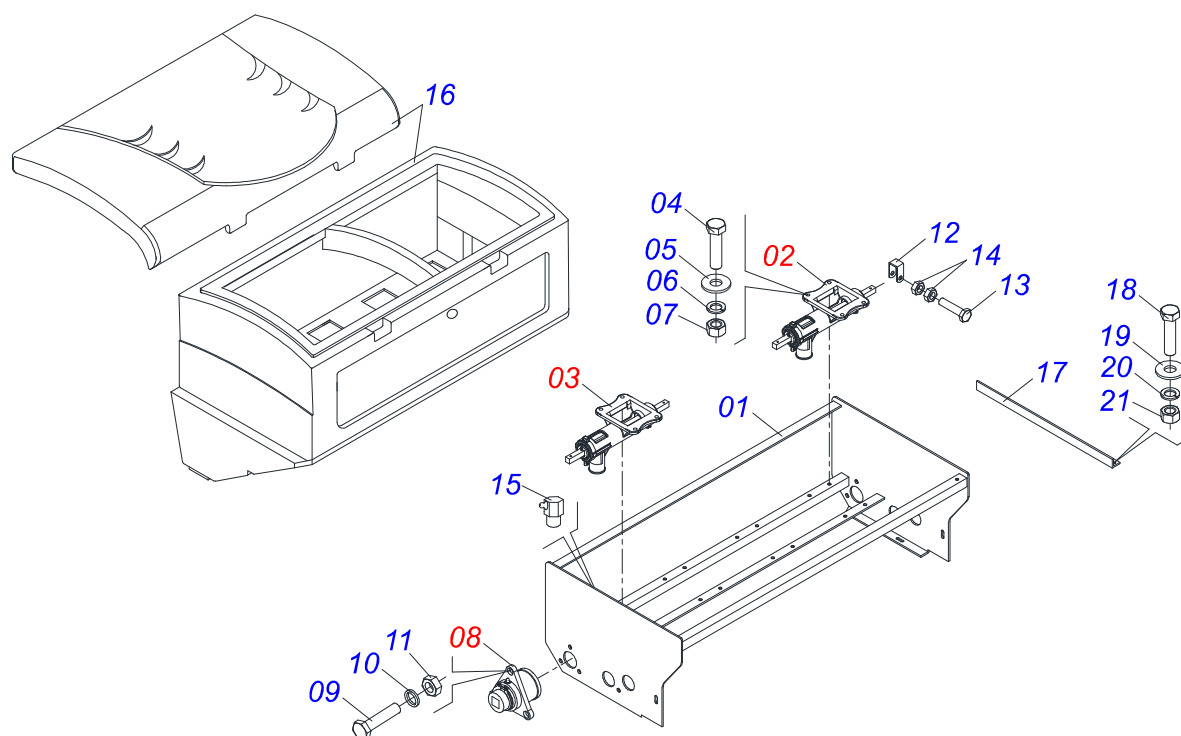


Item	Code	Description	See page	08	09	10	12
00	0511055053	SET		01	00	00	00
00.	0511055071	FERTILIZER BOX ASSEMBLY		00	01	00	00
00..	0511055370	FERTILIZER BOX ASSEMBLY		00	00	01	00
00...	0511055179	FERTILIZER BOX ASSEMBLY		00	00	00	01
01	0501055135	FERTILIZER RIGHT BOX ASSY		01	00	00	00
01.	0501055137	FERTILIZER RIGHT BOX ASSY		00	01	00	00
01..	0501055139	FERTILIZER RIGHT BOX	37	00	00	01	00
01...	0501055141	FERTILIZER RIGHT BOX ASSY		00	00	00	01
02	0501055136	FERTILIZER LEFT BOX ASSY		01	00	00	00
02.	0501055138	FERTILIZER LEFT BOX ASSY		00	01	00	00
02..	0501055140	FERTILIZER LEFT BOX	38	00	00	01	00
02...	0501055142	FERTILIZER LEFT BOX ASSY		00	00	00	01
03	0503010751	C3/8" X 1.1/4" HEX BOLT G.5		04	04	04	04
04	0501010984	10,50 X 27 X 3,00 FLAT WASHER		08	08	08	08
05	0503010025	3/8 SPRING WASHER		04	04	04	04
06	0503010026	3/8" NUT		04	04	04	04
07	0501069631	COVER FIXER		02	02	02	02
08	0503010395	1/2" X 1-1/4" BOLT		02	02	02	02
09	0503010019	1/2" SPRING WASHER		02	02	02	02
10	0503010060	1/2 UNC G.5 ZN HEX NUT		02	02	02	02
11	0503011957	NYLON HANDLE		02	02	02	02
12	0503010371	5/16" X 1" BOLT		04	04	04	04
13	0503010179	LOCK WASHER 5/16 ZN 1K01528		04	04	04	04
14	0503010337	NUT 5/16 UNC G.5 ZN		04	04	04	04
15	0503012698	2050 CHAIN X 53 LINK + MENDING		02	02	02	02

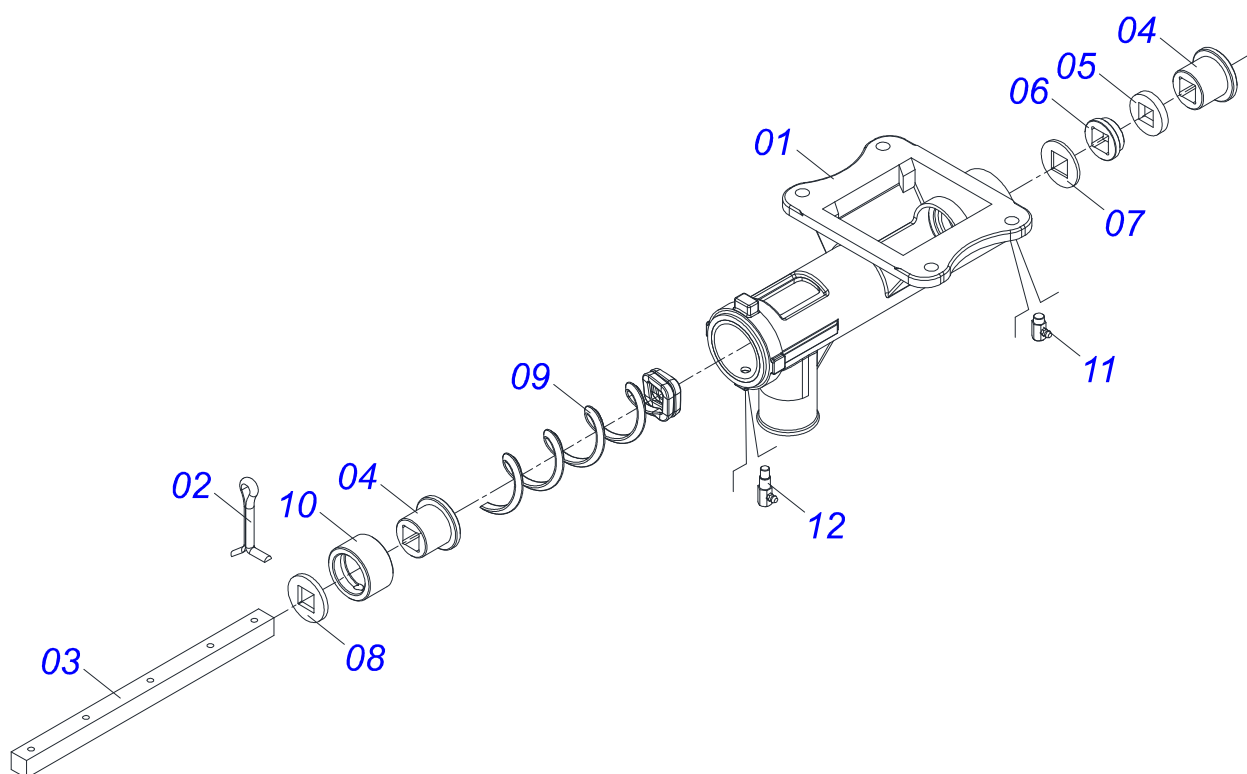




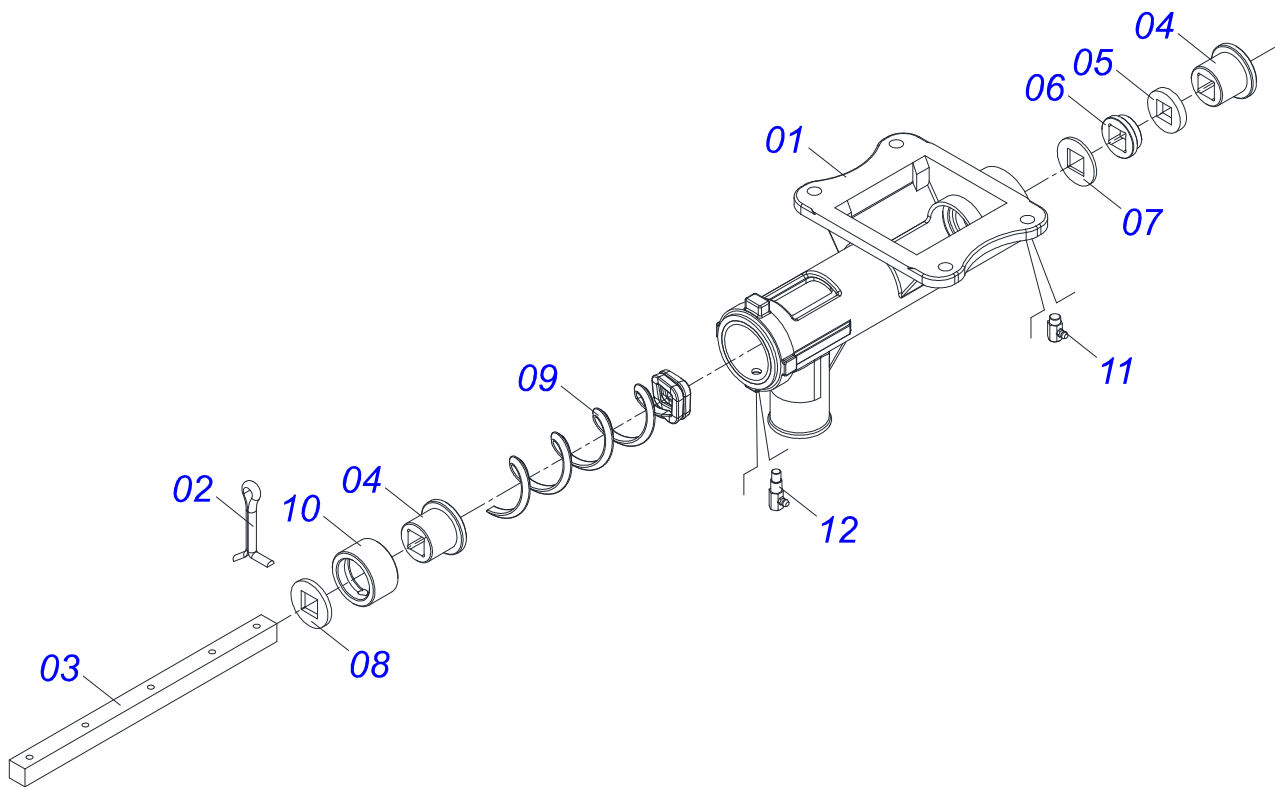
Item	Code	Description	See page	QT
01	0511061019	FERTILIZER BEAN RIGHT SUPPORT		01
02	0501052423	LH FERTILIZER METERING	39	04
03	0501052449	LH FERTILIZER METERING	40	01
04	0503010751	C3/8" X 1.1/4" HEX BOLT G.5		20
05	0501010984	10,50 X 27 X 3,00 FLAT WASHER		20
06	0503010025	3/8 SPRING WASHER		20
07	0503010026	3/8" NUT		20
08	0501050274	BOX BEARING ASSY	25	01
09	0501010161	BOLT 1/2" UNC X 1.1/4" C S G.2 ZN		03
10	0503010019	1/2" SPRING WASHER		03
11	0503010060	1/2 UNC G.5 ZN HEX NUT		03
12	0501017476	DRAGING		04
13	0503010397	5/16" X 1-3/4" BOLT		04
14	0503010337	NUT 5/16 UNC G.5 ZN		08
15	0503010004	1890 GREASE FITTING		01
16	0503060640	COVER BOX RIGHT FERTILIZER		01
17	0521015267	L 1.1/2" X 1/4" X 26.6" WITH HOLE		02
18	0503010751	C3/8" X 1.1/4" HEX BOLT G.5		04
19	0501010984	10,50 X 27 X 3,00 FLAT WASHER		12
20	0503010025	3/8 SPRING WASHER		04
21	0503010026	3/8" NUT		04



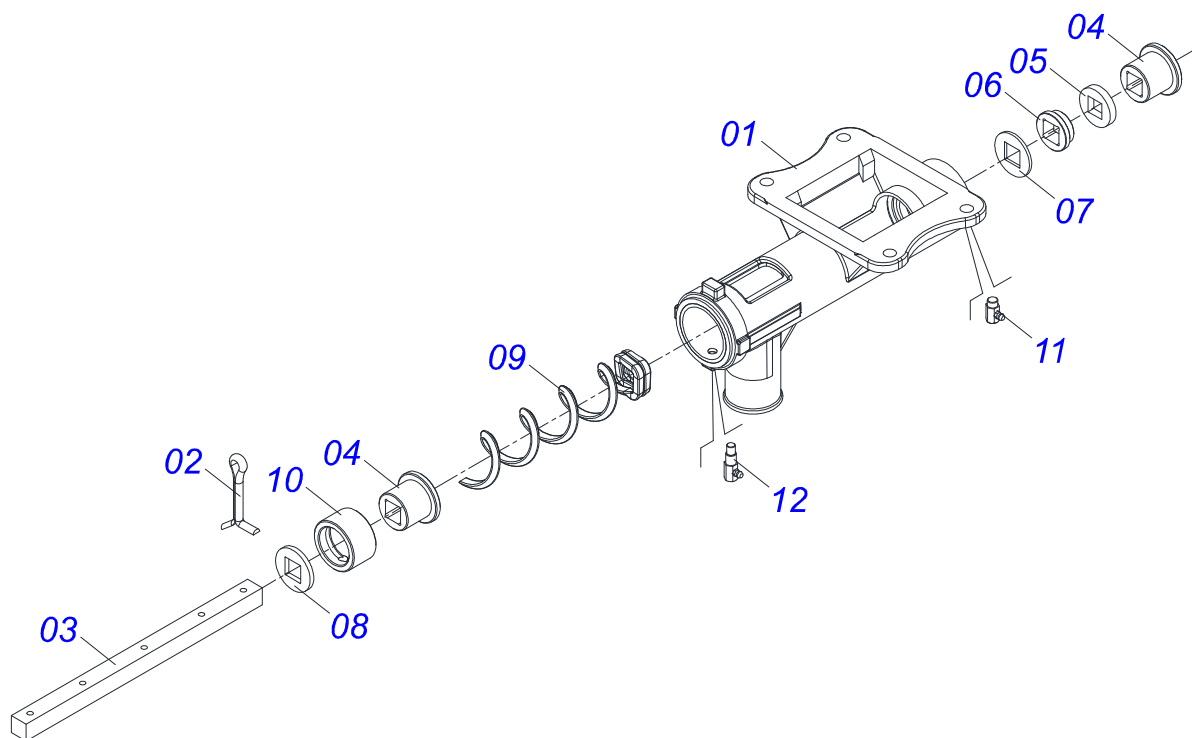
Item	Code	Description	See page	QT
01	0511061020	FERTILIZER BEAN LEFT SUPPORT		01
02	0501052400	RIGHT FERTILIZER METERING	41	04
03	0501052448	RIGHT FERTILIZER METERING	42	01
04	0503010751	C3/8" X 1.1/4" HEX BOLT G.5		20
05	0501010984	10,50 X 27 X 3,00 FLAT WASHER		20
06	0503010025	3/8 SPRING WASHER		20
07	0503010026	3/8" NUT		20
08	0501050274	BOX BEARING ASSY	25	01
09	0501010161	BOLT 1/2" UNC X 1.1/4" C S G.2 ZN		03
10	0503010019	1/2" SPRING WASHER		03
11	0503010060	1/2 UNC G.5 ZN HEX NUT		03
12	0501017476	DRAGING		04
13	0503010397	5/16" X 1-3/4" BOLT		04
14	0503010337	NUT 5/16 UNC G.5 ZN		08
15	0503010004	1890 GREASE FITTING		01
16	0503060641	LEFT FERTILIZER HOPPER WITH LID		01
17	0521015267	L 1.1/2" X 1/4" X 26.6" WITH HOLE		02
18	0503010751	C3/8" X 1.1/4" HEX BOLT G.5		04
19	0501010984	10,50 X 27 X 3,00 FLAT WASHER		12
20	0503010025	3/8 SPRING WASHER		04
21	0503010026	3/8" NUT		04



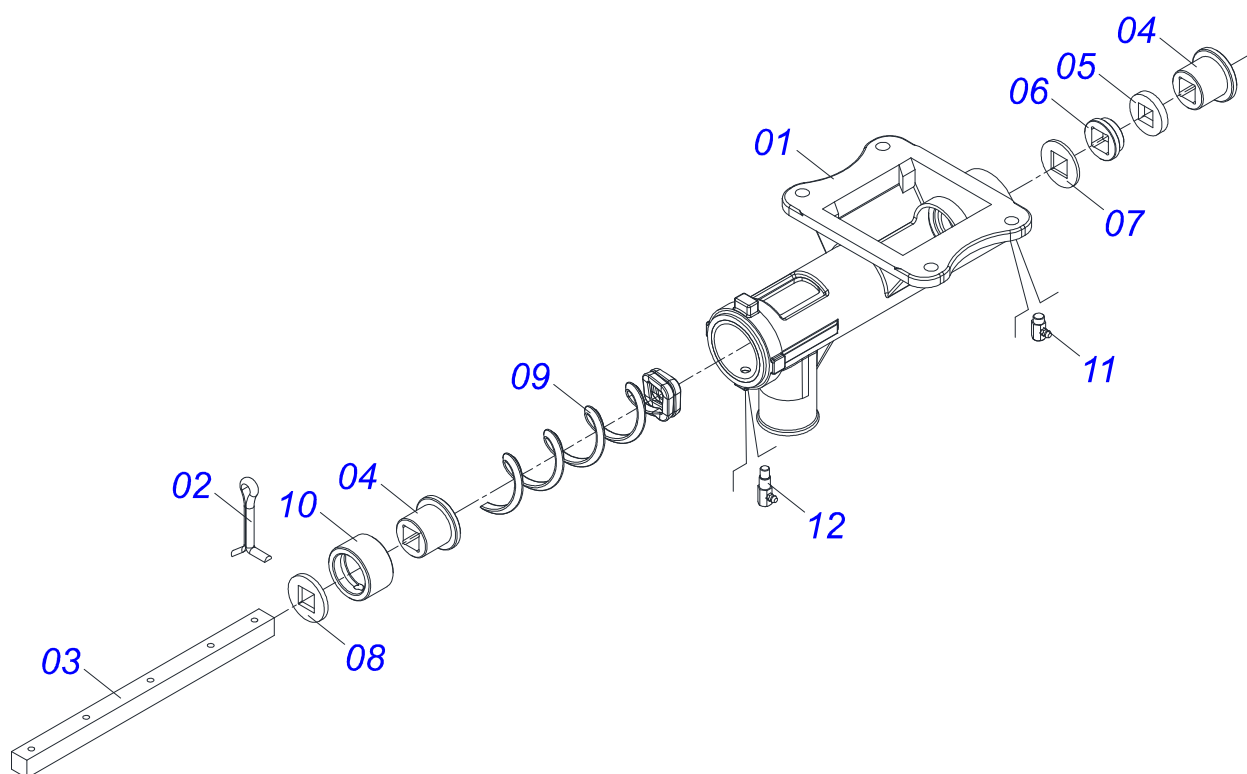
Item	Code	Description	See page	QT
01	0501110453	FERTILIZER DISTRIBUTOR BODY		01
02	0503013155	1/4" X 1.1/4" SPLIT PIN		02
03	0501017391	3/4" X 14.3" SQUARE SHAFT		01
04	0503030275	AGRICULTURAL BEARING		02
05	0501013774	GREASE SEAL		01
06	0503030303	SUPPORT WASHER		01
07	0501010637	FLAT WASHER		01
08	0511017137	FLAT WASHER		01
09	0503031165	LEFT HELICOID CONDUCTOR		01
10	0521010309	SLEEVE INTER		01
11	0503012826	GREASE FITTING		01
12	0503011962	GREASE FITTING		01



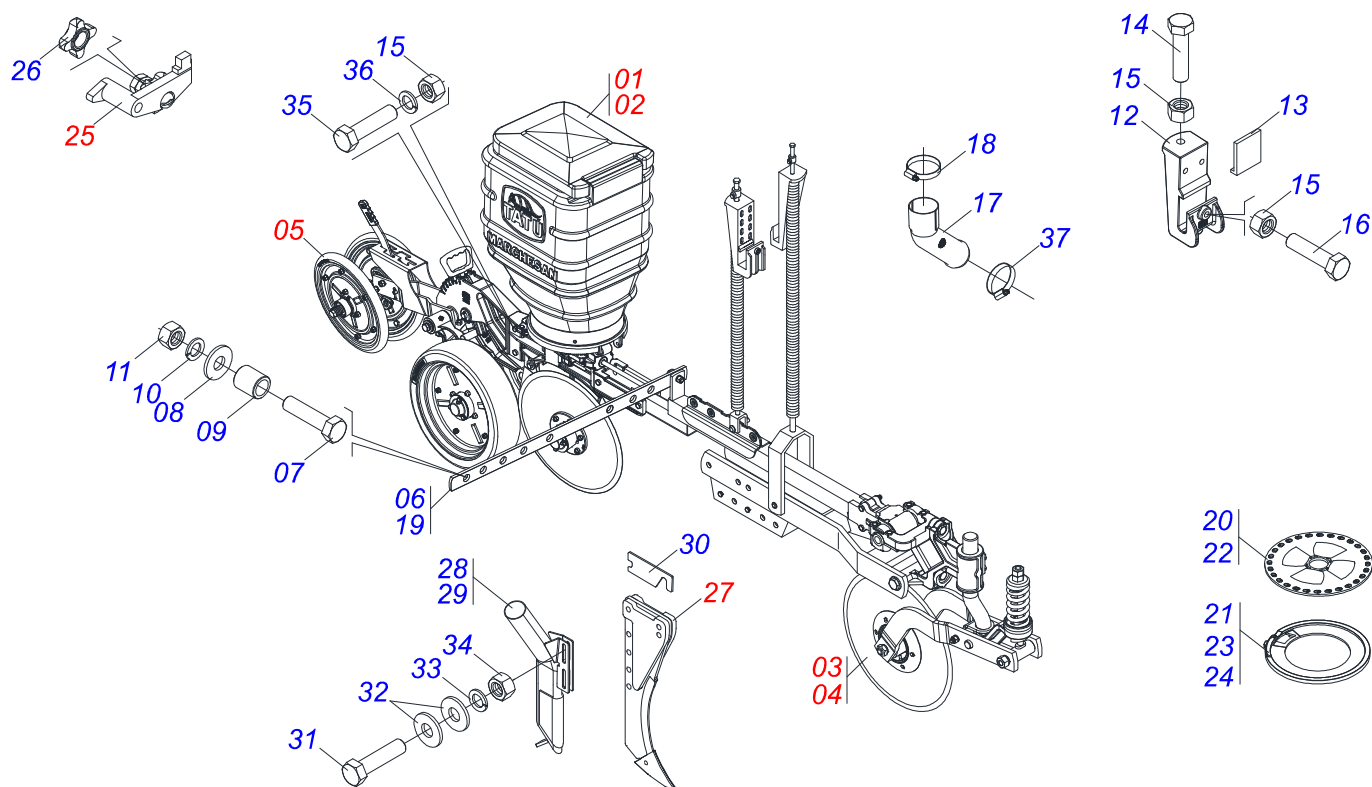
Item	Code	Description	See page	QT
001	0501110453	FERTILIZER DISTRIBUTOR BODY		01
002	0503013155	1/4" X 1.1/4" SPLIT PIN		02
003	0501017394	3/4" X 19.4" SQUARE SHAFT		01
004	0503030275	AGRICULTURAL BEARING		02
005	0501013774	GREASE SEAL		01
006	0503030303	SUPPORT WASHER		01
007	0501010637	FLAT WASHER		01
008	0511017137	FLAT WASHER		01
009	0503031165	LEFT HELICOID CONDUCTOR		01
010	0521010309	SLEEVE INTER		01
011	0503012826	CREASE FITTING		01
012	0503011962	GREASE FITTING		01



Item	Code	Description	See page	QT
01	0501110453	FERTILIZER DISTRIBUTOR BODY		01
02	0503013155	1/4" X 1.1/4" SPLIT PIN		02
03	0501017391	3/4" X 14.3" SQUARE SHAFT		01
04	0503030275	AGRICULTURAL BEARING		02
05	0501013774	GREASE SEAL		01
06	0503030303	SUPPORT WASHER		01
07	0501010637	FLAT WASHER		01
08	0511017137	FLAT WASHER		01
09	0503031164	RIGHT HELICOID CONDUCTOR		01
10	0521010309	SLEEVE INTER		01
11	0503012826	GREASE FITTING		01
12	0503011962	GREASE FITTING		01



Item	Code	Description	See page	QT
001	0501110453	FERTILIZER DISTRIBUTOR BODY		01
002	0503013155	1/4" X 1.1/4" SPLIT PIN		02
003	0501017394	3/4" X 19.4" SQUARE SHAFT		01
004	0503030275	AGRICULTURAL BEARING		02
005	0501013774	GREASE SEAL		01
006	0503030303	SUPPORT WASHER		01
007	0501010637	FLAT WASHER		01
008	0511017137	FLAT WASHER		01
009	0503031164	RIGHT HELICOID CONDUCTOR		01
010	0521010309	SLEEVE INTER		01
011	0503012826	GREASE FITTING		01
012	0503011962	GREASE FITTING		01



Item	Code	Description	See page	QT
01	0501053135	SHORT RIGHT SEED ROW		01
02	0501053137	SEED ROW LONG LEFT		01
03	0501058427	SHORT FERTILIZER ROW LEFT DDD		01
04	0501058428	LONG FERTILIZER ROW DDD RIGHT		01
05	0501058177	DEPTH CONTROL PRESS WHEEL		01
06	0501013714	STABILIZER BAR		01
07	0503010850	BOLT 7/16 UNC X 3 CS G.5 ZN		01
08	0511017302	FLAT WASHER 13,50 X 32,50 X 3,0 ZN		01
09	0521010505	13,50 X 19,00 X 21,50 SLEEVE		01
10	0503010180	7/16" SPRING WASHER		01
11	0503010244	7/16" NUT		01
12	0502010890	SPRING ROD SUPPORT		01
12.	0502012610	SPRING ROD HOLDER		01
13	0502010891	SPRING ROD SUPPORT CHOCK		01
14	0503010395	1/2" X 1-1/4" BOLT		01
15	0503010060	1/2 UNC G.5 ZN HEX NUT		01
16	0503010920	1/2 UNC X 1.1/2 C S G.5 ZN BOLT		01
17	0503031050	CURVED CONDUCTOR		01
18	0503010246	CLAMP		01
19	0501018652	CORN STABILIZER BAR		01
20	0503016204	CORN DISC 12 ORANGE		01
21	0503016214	RING CORN (APOLLO740)		01
22	0503016218	DISC OF SOYBEAN		01
23	0503016220	RING TO SOYBEANS (APOLLO 745)		01
24	0503016221	RING TO SOYBEANS (APOLLO 571)		01
25	0501050120	LARGER WALKING BEAM ASSY	44	01
26	0503030558	PULLEY 4Z CORN PLASTIC		01
27	0521053673	SCARIFIER ROD WITH NOZZLE	45	01
28	0511061769	RIGHT FERTILIZER CONDUCTOR WITH REGULATOR		01

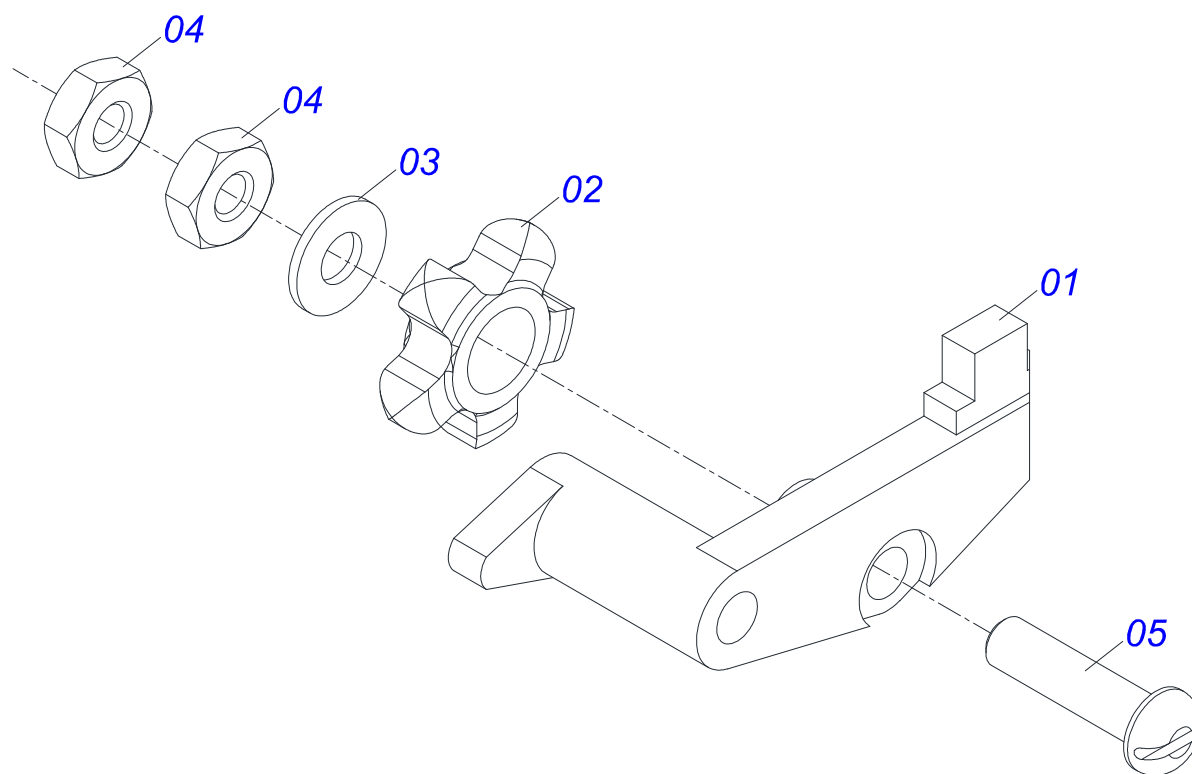


PST3 - ROWS 10/10  
SEED/FERTILIZER ROW ASSY

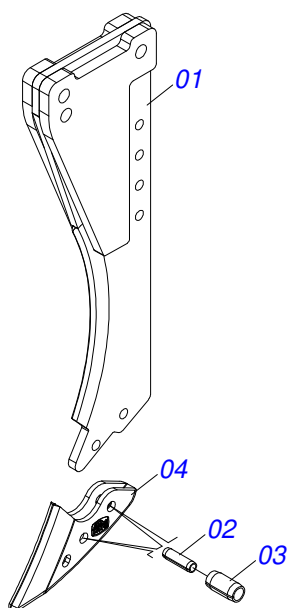
Page 43  
0909090975

Item	Code	Description	See page	QT
29	0511061770	LEFT CONDUCTOR FERTILIZER WITH REGULATOR		01
30	0511017969	0.1" SPACING PLATE		01
31	0503010751	C3/8" X 1.1/4" HEX BOLT G.5		01
32	0501010984	10,50 X 27 X 3,00 FLAT WASHER		01
33	0503010025	3/8 SPRING WASHER		01
34	0503010026	3/8" NUT		01
35	0503010706	BOLT 1/2 UNC X 4.1/2 C S G.5 ZN		01
36	0503010019	1/2" SPRING WASHER		01
37	0503010246	CLAMP		01





Item	Code	Description	See page	QT
01	0503030379	LARGER ROCKER ARM		01
02	0502060001	PLASTIC PULLEY FOR MAIZE		01
03	0503010669	FLAT WASHER		01
04	0503010667	3/16" NUT		02
05	0503010803	SCREW 3/16 UNC X 3/4 CAF G.2 ZN		01



Item	Code	Description	See page	QT
01	0511061768	FERTILIZER SCARIFIER ROD		01
02	0503011402	0.2" X 0.8" SPRING PIN		02
03	0503016853	SPRING PIN		02
04	0502040869	FIXED ROD BEARING		01





**MARCHESAN**

**Technical Publications | Elaboration and Revision**

LUIZ CANDIDO

[www.marchesan.com.br](http://www.marchesan.com.br)

