

# **PARTS CATALOG**

## **IMPLEMENTS FOR SUGAR CANE**

**SU-SUL**

**Code: 0501090604**



**Series: S-0806**

**Rev.: 00**

**Date Rev.: AGOSTO/2006**

**ORIGINAL PARTS  
TATU**

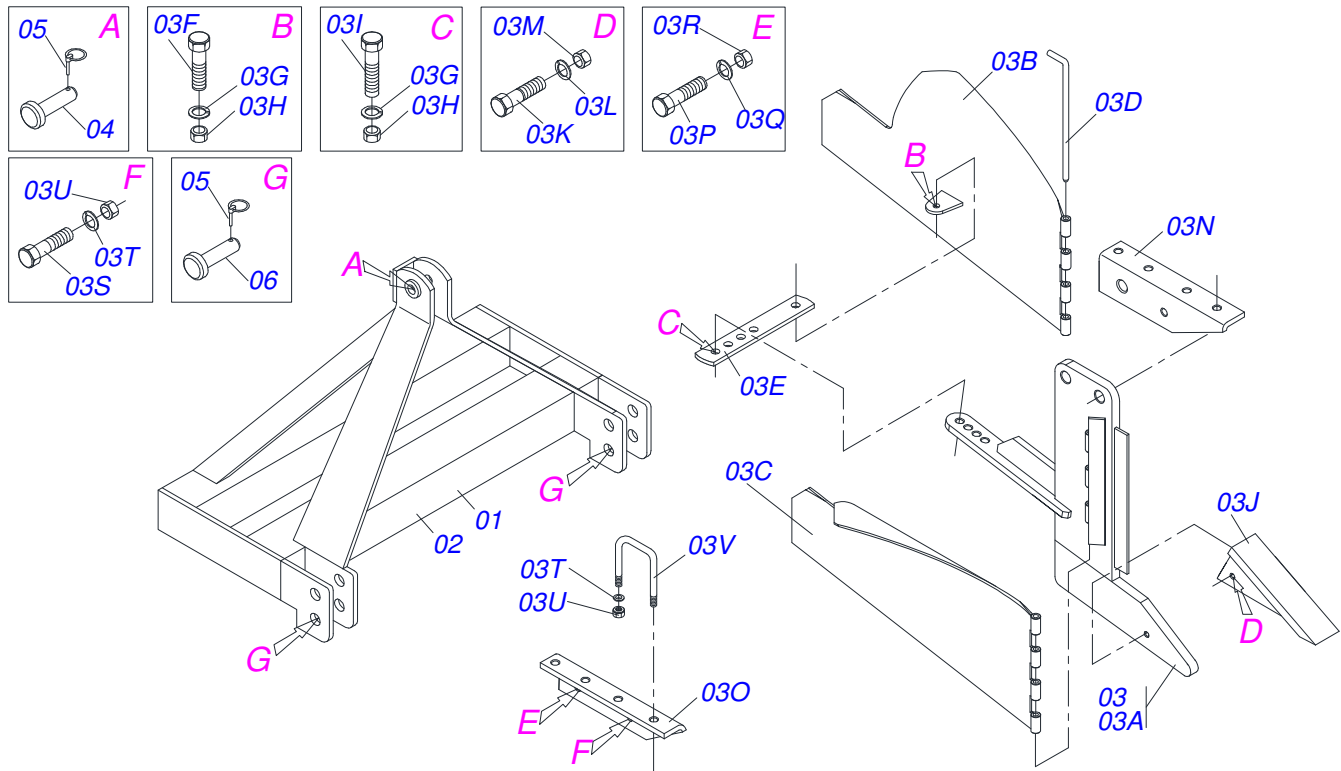


# INDEX

0909092880

SU (SERIE 1993)

..... 1



Item	Code	Description	SU-1/SU-2
01	0501061139	FRAME	01 00
02	0501061131	FRAME	00 01
03	0501047817	ARM ASSY	01 02
03A	0501061133	TURNBUCLE BODY	01 02
03B	0501061135	LR WING	01 02
03C	0501061137	RH WING	01 02
03D	0501010733	ROD	01 02
03E	0551011198	ADJUSTMENT BAR	02 04
03F	0501010100	5/8 UNC X 2 C S G.5 BOLT	02 04
03G	0503010027	SPRING WASHER	03 06
03H	0503010013	5/8" NUT	03 06
03I	0503010233	5/8" X 2-1/2" BOLT	01 02
03J	0501061120	SUBSOILER TIP	01 02
03K	0503010479	1/2" X 3" BOLT	01 02
03L	0503010019	1/2" SPRING WASHER	01 02
03M	0503010020	1/2"NUT	01 02
03N	0501061205	LH SUPPORT	01 02
03O	0501061204	RH SUPPORT	01 02
03P	0503011432	1" X 4" BOLT	01 02
03Q	0503010012	1" SPRING WASHER	01 02
03R	0501010059	1.5/8 NUT	01 02
03S	0501010500	3/4"X3"BOLT	01 02
03T	0503010023	SPRING WASHER	09 18
03U	0503010014	3/4" NUT	09 18
03V	0521010659	3/4 UNC X 148 X 125 FASTENER	04 08
04	0521010581	0.9" X 4.9" COUPLING SHAFT	01 01
05	0503030085	LOCK PIN	03 03
06	0521010582	COUPLING SHAFT	02 02





**MARCHESAN IMPLEMENTOS E MÁQUINAS AGRÍCOLAS TATU S.A.**

AV. Marchesan, 1979 - Post office box, 131 - CEP 15994-900 - Matão - SP - Brazil

Phone +55 16.3382-8282

(FAX Parts) + 55 16.3382. 8297 - (Export) + 55 16.3382.1003

e.mail: [tatu@marchesan.com.br](mailto:tatu@marchesan.com.br) [www.marchesan.com.br](http://www.marchesan.com.br)

**Technical Publications: Elaboration**

ALESSANDRA PATRICIA KAWAHARA CARRILI

*Contact Catálogo:*

*E-mail = [jgaspari@marchesan.com.br](mailto:jgaspari@marchesan.com.br)*

**ORIGINAL PARTS  
TATU**

