

# PARTS CATALOGUE



## ROW CROP PLANTERS

**Code:**

**Product:**

0501090598



**Series:**

S-0498

**Revision:**

01

**Date Revision:**

OUTUBRO/2018



# PRODUCTS

Code	Description	
0111050004	ACTIVA 7/ 7	S-0498
0111023000	ACTIVA 7/4	S-0498
0111023003	ACTIVA 7/7	S-0498
0111050008	ACTIVA 9/ 7	S-0498
0111050009	ACTIVA 9/ 8	S-0498
0111050010	ACTIVA 9/ 9	S-0498
0111023007	ACTIVA 9/7	S-0498
0111023008	ACTIVA 9/9	S-0498
0111023014	ACTIVA 11/10	S-0498
0111023015	ACTIVA 11/11	S-0498
0111050017	ACTIVA 11/11	S-0498
0111023013	ACTIVA 11/9	S-0498
0111050021	ACTIVA 13/ 9	S-0498
0111023021	ACTIVA 13/11	S-0498
0111023022	ACTIVA 13/12	S-0498
0111023023	ACTIVA 13/13	S-0498
0111050025	ACTIVA 13/13	S-0498
0111050032	ACTIVA 15/13	S-0498
0111023030	ACTIVA 15/13	S-0498
0111023031	ACTIVA 15/15	S-0498
0111050033	ACTIVA 15/15	S-0498
0111060001	ACTIVA SUPREMA 7/ 4 CARD	S-0498
0111042032	ACTIVA SUPREMA 9 S/LINHAS AD/SEM	
0111042007	ACTIVA SUPREMA 9/ 7	S-0498
0111060008	ACTIVA SUPREMA 9/ 7 CARD	S-0498
0111060009	ACTIVA SUPREMA 9/ 8 CARD	S-0498
0111042008	ACTIVA SUPREMA 9/ 9	S-0498
0111060010	ACTIVA SUPREMA 9/ 9 CARD	S-0498
0111042013	ACTIVA SUPREMA 11/ 9	S-0498
0111060015	ACTIVA SUPREMA 11/ 9 CARD	S-0498

## ATTENTION: IMPORTANT

Marchesan S.A. reserves the right to improve and / or modify the technical features of its products, without obligation to do the same with those products already sold and without prior knowledge of the dealer or the consumer.



# PRODUCTS

0111060016	ACTIVA SUPREMA 11/10 CARD	S-0498
0111060017	ACTIVA SUPREMA 11/11 CARD	S-0498
0111060025	ACTIVA SUPREMA 13/13 CARD	S-0498
0111042031	ACTIVA SUPREMA 15/15	S-0498
0111060033	ACTIVA SUPREMA 15/15 CARD	S-0498

## ATTENTION: IMPORTANT

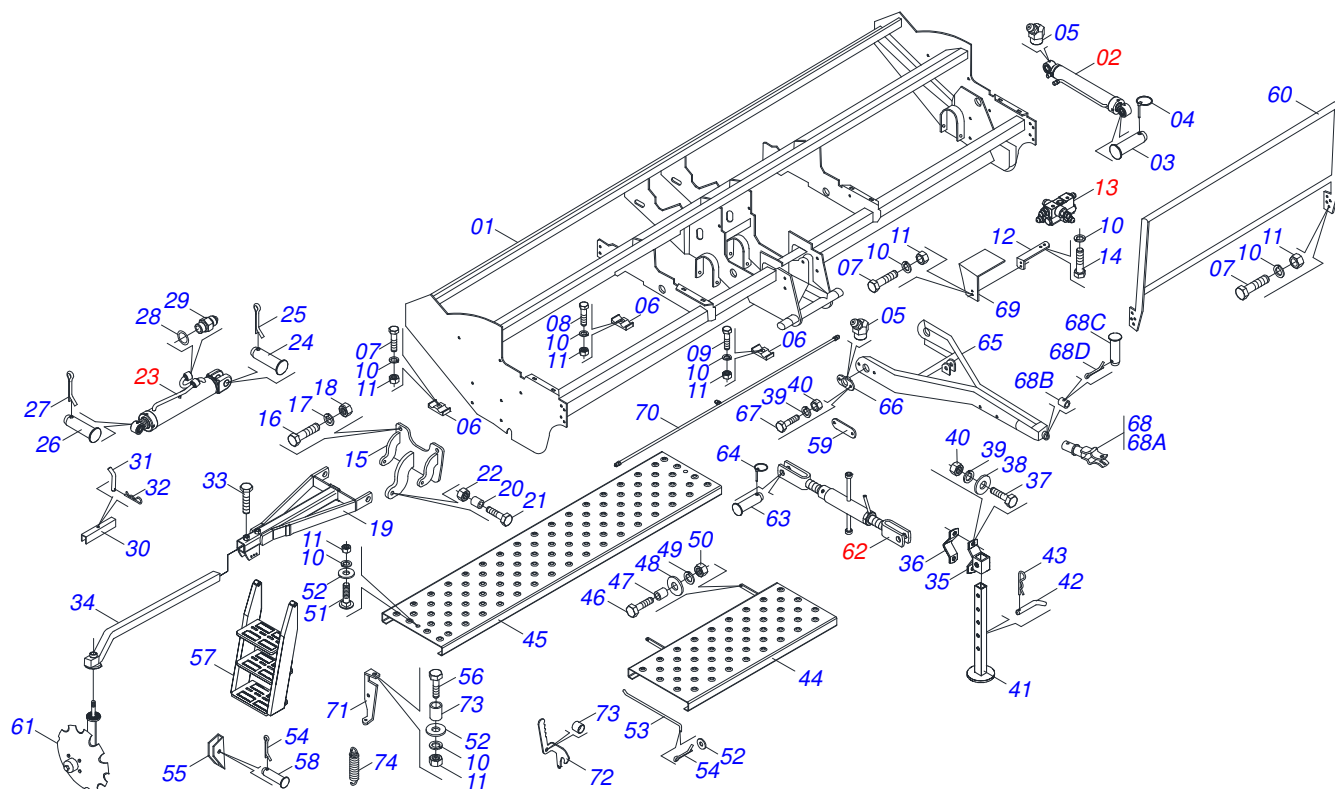
Marchesan S.A. reserves the right to improve and / or modify the technical features of its products, without obligation to do the same with those products already sold and without prior knowledge of the dealer or the consumer.



**MARCHESAN**

# INDEX

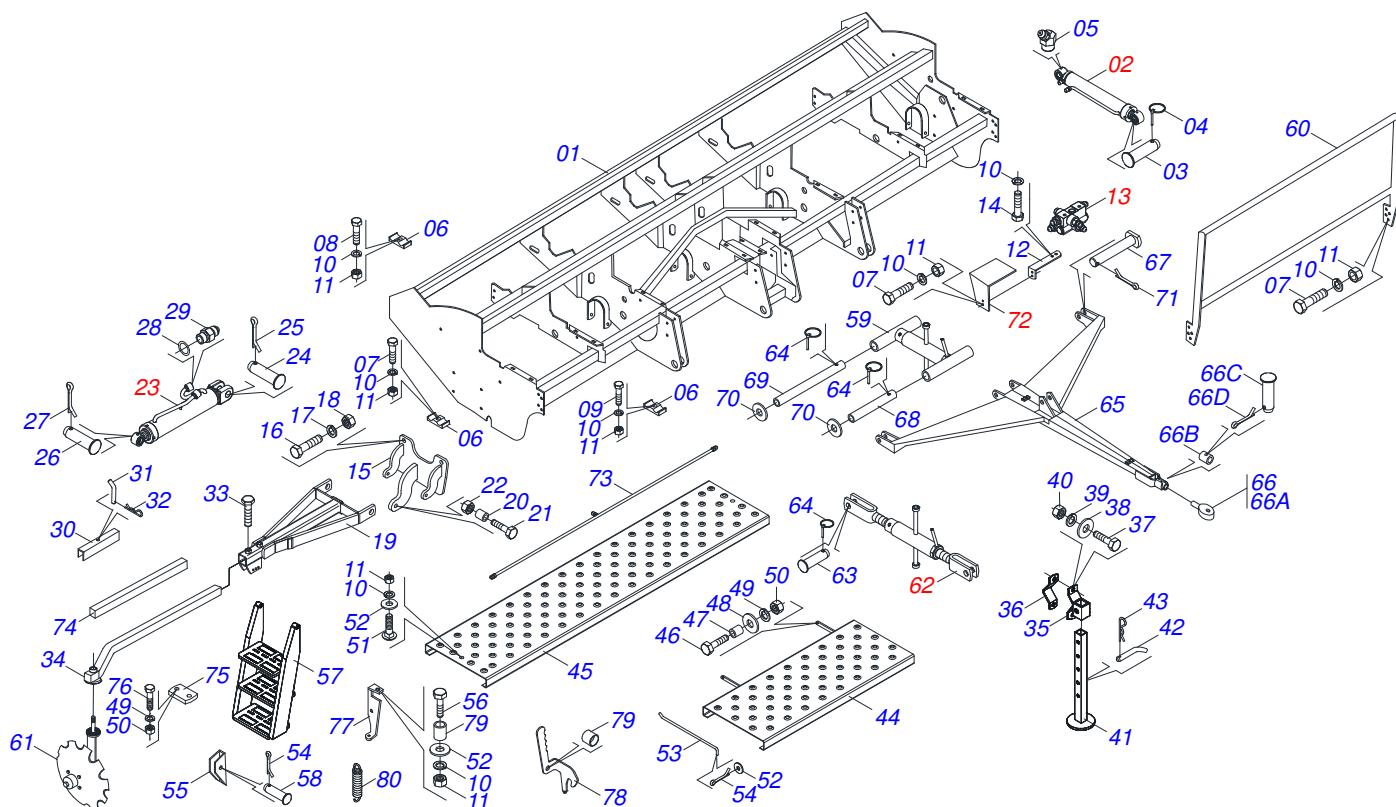
0909094832		.....	1
0909094848		.....	2
0501043149	1.5" X 2.5" 19" X 8" HYDRAULIC CYLINDER	.....	3
0501048054	44,45 X 85,72 X 491 X 189 HYDRAULIC CYLINDER	.....	4
0909094863		.....	5
0909094879		.....	6
0909094887		.....	7
0501051596	TRANSMISSION RIGHT DRIVING	.....	8
0501051900		.....	9
0501052101		.....	10
0909094899		.....	11
0501048523		.....	12
0909094901		.....	13
0909098775	SEED ROW PST ACTIVA S-0199	.....	14
0501052050	SYSTEM WHEELS CONTROL	.....	15
0501048047	ASSY DEPTH WHEEL	.....	16
0501052145	COMPACTING WHEEL V	.....	17
0501051863	15" X 15" DOUBLE DISC RIGHT ASSY	.....	18
0909098793	FRAME ACTIVA 07/09/11 SUPREMA	.....	19
0909098812	TURBINE CARDAN ASSY	.....	20
0501051812	TURBINE CARDAN ASSY	.....	21
0909098795	FRAME ACTIVA 13/15 SUPREMA	.....	23
0501044565	VDFS002 SEQUENCE VALVE	.....	24
0501048056	50,80 X 114,3 X 491 X 189 HYDRAULIC CYLINDER	.....	25
0501051918	HEADER EXTENSOR	.....	25
0909098771	SEED ROW PST ACTIVA SUPREMA S-0199	.....	26
0503011368	DISTRIBUTOR SEED	.....	27



Item	Code	Description	See page	07 09 11
01	0511060050			01 00 00
01.	0511060037			00 01 00
01..	0511060038			00 00 01
02	0501048054	44,45 X 85,72 X 491 X 189 HYDRAULIC CYLINDER	4	02 02 02
03	0511011887	COUPLING SHAFT		04 04 04
04	0503030119	LOCK PIN		04 04 04
05	0503010003	1845 GREASE FITTING		06 06 06
06	0502010477	HOSE CLAMP		16 16 16
07	0503010751	C3/8" X 1.1/4" HEX BOLT G.5		08 08 08
08	0501018526	3/8" X 2" BOLT		02 02 02
09	0503011268	3/8" X 2-1/2" BOLT		02 02 02
10	0503010025	3/8" SPRING WASHER		36 36 36
11	0503010026	3/8" NUT		28 28 28
12	0521012302			01 01 01
13	0501044565	VDFS002 SEQUENCE VALVE	24	01 01 01
14	0503010256	3/8" X 3/4" BOLT		02 02 02
15	0511060051	ROW MARKER SUPPORT		02 02 02
16	0501010098	3/4" UNC BOLT		08 08 08
17	0503010023	3/4" SPRING WASHER		08 08 08
18	0503010014	3/4" NUT		08 08 08
19	0501069470	ROW MARKER ARM		02 02 02
20	0521010479	SLEEVE ARTICULATION		04 04 04
21	0503011399	M16 X 1,5 X 50 BOLT		04 04 04
22	0503011400	M16 X 0.6" NUT		04 04 04
23	0501043149	1.5" X 2.5" 19" X 8" HYDRAULIC CYLINDER	3	02 02 02
24	0521010574	C0.9" X 3.3" COUPLING SHAFT		02 02 02
25	0503010571	1/4" X 1.1/2" COTTERPIN		02 02 02
26	0511015779	1" X 4.2" AXLE		02 02 02
27	0503010523	1/4" X 2" COTTERPIN		02 02 02
28	0503010190	2-114 N 3006-9B O'RING		04 04 04
29	0501010617	3/4" NIPPLE		04 04 04
30	0511017592	11.8" X 1.6" TRANSPORT LOCK		02 02 02

Item	Code	Description	See page	07 09 11
31	0501068994	0.3" X 3.1" LOCK PIN		02 02 02
32	0503030168	HAIR PIN		02 02 02
33	0501017322	5/8" X 1-1/4" BOLT		04 04 04
34	0521012902			02 02 02
35	0502011530	SUPPORT		02 02 02
36	0502010175	HITCH CLAMP		02 02 02
37	0501011543	5/8" X 4" BOLT		04 04 04
38	0501012140	FLAT WASHER		04 04 04
39	0503010027	5/8" SPRING WASHER		08 08 08
40	0503010013	5/8" NUT		08 08 08
41	0501062681			02 02 02
42	0501011075	PIN		02 02 02
43	0503030012	HAIR PIN		02 02 02
44	0521014293			02 00 00
44.	0511060192			00 02 00
44..	0511060190			00 00 02
45	0501069781			01 00 00
45.	0521013554			00 02 00
45..	0521013750			00 00 02
46	0503010395	1/2" X 1-1/4" BOLT		02 02 02
47	0521010445	0.53" X 0.75" X 0.45" SLEEVE		02 02 02
48	0511017302	FLAT WASHER		02 02 02
49	0503010019	1/2" SPRING WASHER		02 02 02
50	0503010060	1/2" NUT		02 02 02
51	0501011643	3/8 X 1" BOLT		04 04 04
52	0501010984	FLAT WASHER		04 04 04
53	0521013521			01 01 01
54	0503010257	1/8" X 1" COTTERPIN		06 06 06
55	0521013537			04 04 04
56	0503011088	3/8" X 1-1/4" BOLT		04 04 04
57	0511060065			02 02 02
58	0521010542	COUPLING SHAFT		06 06 06
59	0521013867	DRAWBAR TRANSPORT LOCK		01 01 01
60	0511060057			02 00 00
60.	0511060058			00 02 00
60..	0511060059			00 00 02
61	0501050647	ROW MARKER DISC ASSY		02 02 02
62	0501051901	HEADER EXTENSOR		01 01 01
63	0521010576	0.9" X 3.7" COUPLING SHAFT		02 02 02
64	0503030085	LOCK PIN		02 02 02
65	0501069442			01 01 01
66	0501069444			02 02 02
67	0503010232	5/8" X 1.3/4" BOLT		04 04 04
68	0501051984	TRACTOR HITCH ASSY		01 01 01
68A	0501069266	TRACTOR HITCH		01 01 01
68B	0521010681	BUSHING COUPLING BODY		01 01 01
68C	0521010639	COUPLING SHAFT		01 01 01
68D	0503010571	1/4" X 1.1/2 COTTERPIN		01 01 01
69	0521013866			01 01 01
70	0501069206	OIL CONDUCTOR		02 00 00
70.	0501069759			02 00 00
70..	0501069760			02 00 00
70...	0501069209			00 02 00
70....	0511060226			00 02 00
70.....	0501069758			00 02 00
70.....	0501069723	OIL CONDUCTOR		00 00 02
70.....	0511060225			00 00 02
70.....	0501069774			00 00 02
71	0521014296			01 01 01
71.	0521014301			01 01 01

Item	Code	Description	See page	07 09 11
72	0521014295			01 01 01
72.	0521014302			01 01 01
73	0521014297			02 02 02
74	0503030418	TRACTION SPRING		02 02 02



Item	Code	Description	See page	13 15
01	0511060039			01 00
01.	0511060040			00 01
02	0501048056	50,80 X 114,3 X 491 X 189 HYDRAULIC CYLINDER	25	01 01
03	0511011887	COUPLING SHAFT		04 04
04	0503030119	LOCK PIN		04 04
05	0503010003	1845 GREASE FITTING		04 04
06	0502010477	HOSE CLAMP		16 16
07	0503010751	C3/8" X 1.1/4" HEX BOLT G.5		06 06
08	0501018526	3/8" X 2" BOLT		02 02
09	0503011268	3/8" X 2-1/2" BOLT		04 04
10	0503010025	3/8" SPRING WASHER		22 22
11	0503010026	3/8" NUT		14 14
12	0521012302			01 01
13	0501044565	VDFS002 SEQUENCE VALVE	24	01 01
14	0503010256	3/8" X 3/4" BOLT		02 02
15	0511060051	ROW MARKER SUPPORT		02 02
16	0501010098	3/4" UNC BOLT		08 08
17	0503010023	3/4" SPRING WASHER		08 08
18	0503010014	3/4" NUT		08 08
19	0501069470	ROW MARKER ARM		02 02
20	0521010479	SLEEVE ARTICULATION		04 04
21	0503011399	M16 X 1,5 X 50 BOLT		04 04
22	0503011400	M16 X 0.6" NUT		04 04
23	0501043149	1.5" X 2.5" 19" X 8" HYDRAULIC CYLINDER	3	02 02
24	0521010574	C0.9" X 3.3" COUPLING SHAFT		02 02
25	0503010571	1/4" X 1.1/2" COTTERPIN		02 02
26	0511015779	1" X 4.2" AXLE		02 02
27	0503010523	1/4" X 2" COTTERPIN		02 02
28	0503010190	2-114 N 3006-9B O'RING		04 04
29	0501010617	3/4" NIPPLE		04 04
30	0511017592	11.8" X 1.6" TRANSPORT LOCK		02 02
31	0501068994	0.3" X 3.1" LOCK PIN		02 02

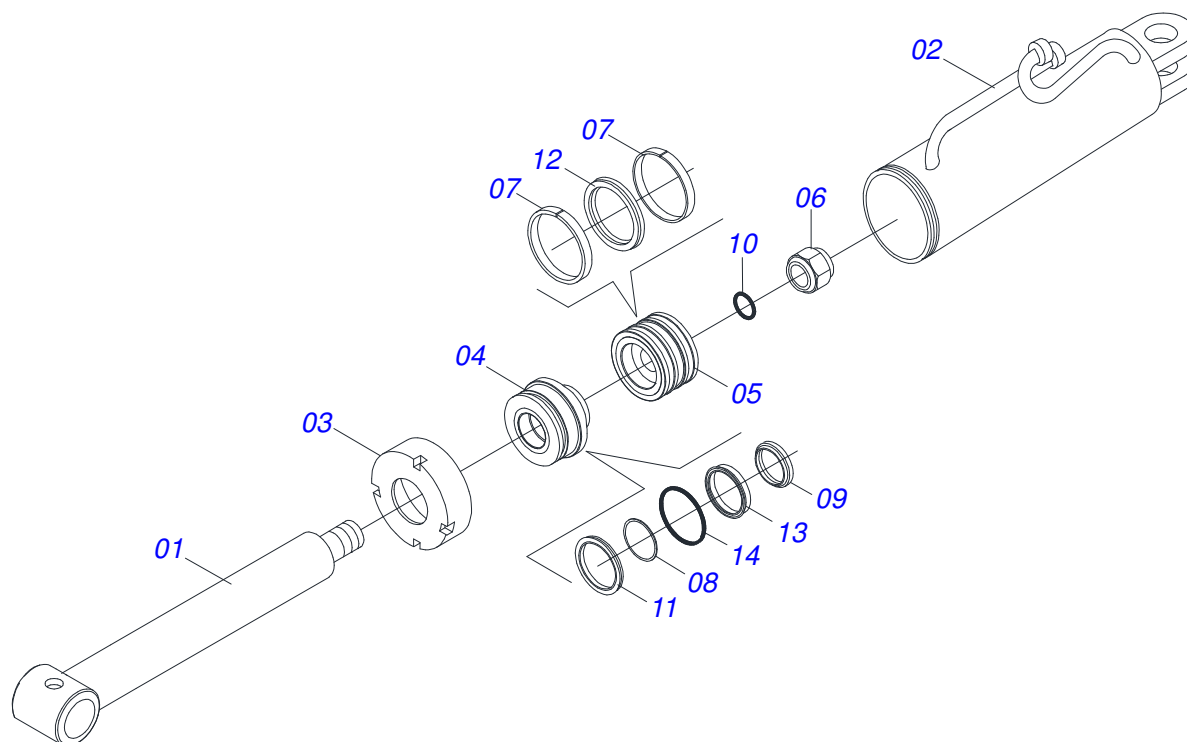


Item	Code	Description	See page	13 15
32	0503030168	HAIR PIN		02 02
33	0501017322	5/8" X 1-1/4" BOLT		04 04
34	0501066949	1235 TURNBUCKLE		02 02
35	0502011530	SUPPORT		02 02
36	0502010175	HITCH CLAMP		02 02
37	0501011543	5/8" X 4" BOLT		04 04
38	0501012140	FLAT WASHER		04 04
39	0503010027	5/8" SPRING WASHER		04 04
40	0503010013	5/8" NUT		04 04
41	0501062681			02 02
42	0501011075	PIN		02 02
43	0503030012	HAIR PIN		02 02
44	0521013669			01 00
44.	0521013556			00 01
45	0511060109			01 00
45.	0511060110			01 00
45..	0511060095			00 01
45...	0511060096			00 01
46	0503010395	1/2" X 1-1/4" BOLT		04 04
47	0521010445	0.53" X 0.75" X 0.45" SLEEVE		04 04
48	0511017302	FLAT WASHER		04 04
49	0503010019	1/2" SPRING WASHER		10 10
50	0503010060	1/2" NUT		10 10
51	0501011643	3/8 X 1" BOLT		04 04
52	0501010984	FLAT WASHER		10 10
53	0521013521			01 01
54	0503010257	1/8" X 1" COTTERPIN		10 10
55	0521013537			04 04
56	0503011088	3/8" X 1-1/4" BOLT		10 10
57	0511060065			02 02
58	0521010542	COUPLING SHAFT		04 04
59	0501048476	HEADER EXTENSOR 245		01 01
60	0511060060			02 00
60.	0511060061			00 02
61	0501050647	ROW MARKER DISC ASSY		02 02
62	0501051918	HEADER EXTENSOR	25	01 01
63	0521012538	1.2" X 3.5" COUPLING SHAFT		02 02
64	0503030085	LOCK PIN		06 06
65	0501069725			01 00
65.	0501069525			00 01
66	0501051160	TRACTOR HITCH PIN		01 01
66A	0501068181	HITCH TURNER		01 01
66B	0521010681	BUSHING COUPLING BODY		01 01
66C	0521010639	COUPLING SHAFT		01 01
66D	0503010571	1/4" X 1.1/2 COTTERPIN		01 01
67	0521010644	1.5" X 8.4" COUPLING SHAFT		02 02
68	0521013581			01 01
69	0521013580			01 01
70	0501012916	FLAT WASHER 38,50 X 66 X 4,75 ZN		04 04
71	0503010534	3/8 X 2-1/2 COTTERPIN		01 01
72	0521013866			01 01
73	0501069726			02 00
73.	0501069727	OIL CONDUCTOR		00 02
73..	0511060088	OIL CONDUCTOR		02 00
73...	0511060090			00 02
73....	0511060089			02 00
73.....	0511060091			00 02
74	0521013164	PROTRACTOR TURNBUCKLE		02 02
75	0501011310	FIXER LOCK		08 08
76	0503010706	1/2" X 4.1/2" BOLT		08 08

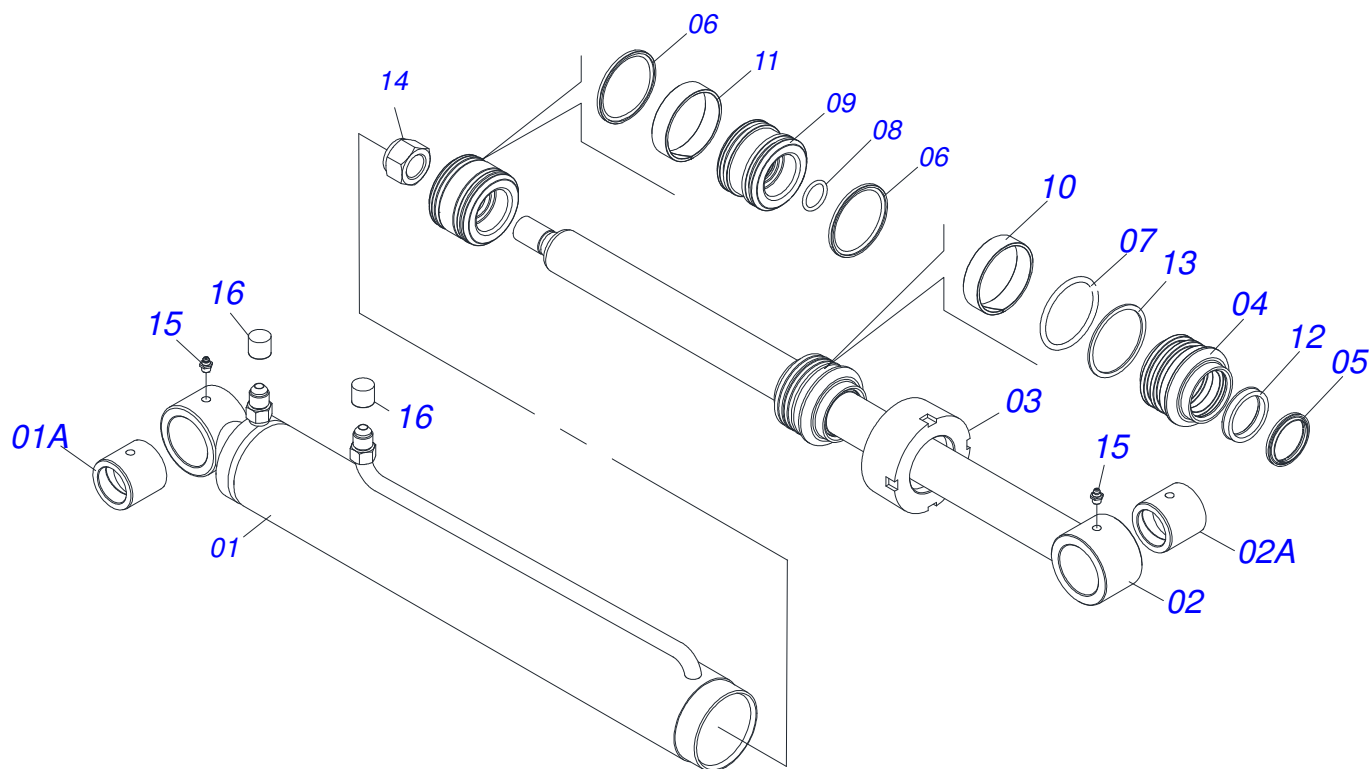
Item	Code	Description	See page	13 15
77	0521014296			01 01
77.	0521014301			01 01
78	0521014295			01 01
78.	0521014302			01 01
79	0521014297			02 02
80	0503030416	3C082 JOINT		02 02

1.5" X 2.5" 19" X 8" HYDRAULIC CYLINDER

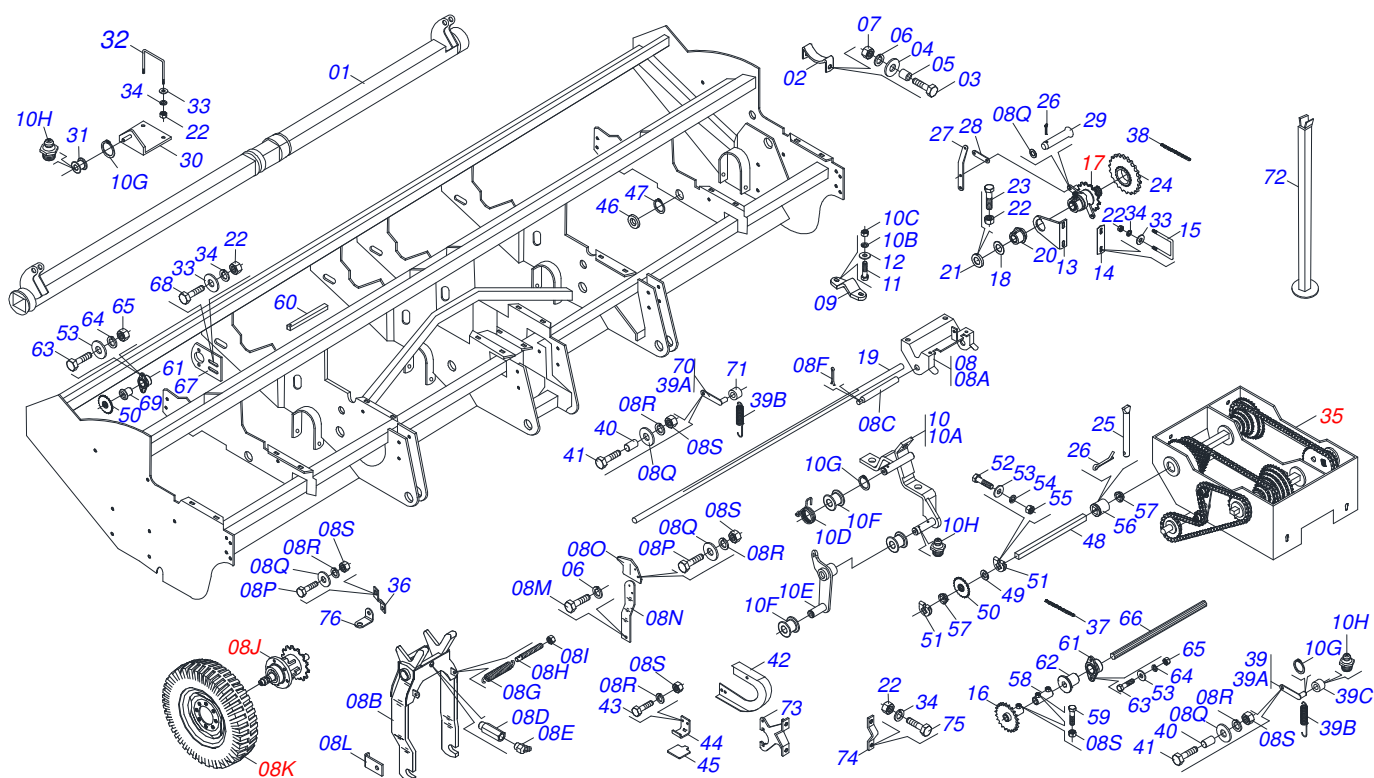
0501043149



Item	Code	Description	See page	QT
01	0501065662	HYDRAULIC CYLINDER TURNBUCKLE		01
02	0501068997	63,5" X 368" BODY		01
03	0502010471	MOBILE COVER		01
04	0502010780	RING SUPPORT		01
05	0502010783	1.5" X 2.5" PISTON		01
06	0503010063	1" SELF-ALIGNING NUT		01
07	0503010160	2500 2000 GASKET		02
08	0503010161	2-330 N 3006 9B O'RING		01
09	0503010163	D-1500 SCRAPER RING		01
10	0503010285	2-222 N 3006-9B O'RING		01
11	0503010970	W1-1650-500 PK O'RING G.E		01
12	0503010973	W2-2500-500 PK O'RING G.E		01
13	0503010989	1870-1500-375-B GASKET		01
14	0503011058	8-330 BACK-UP RING		01
15	0501032666	HYDRAULIC CYLINDER REPAIR KIT		01



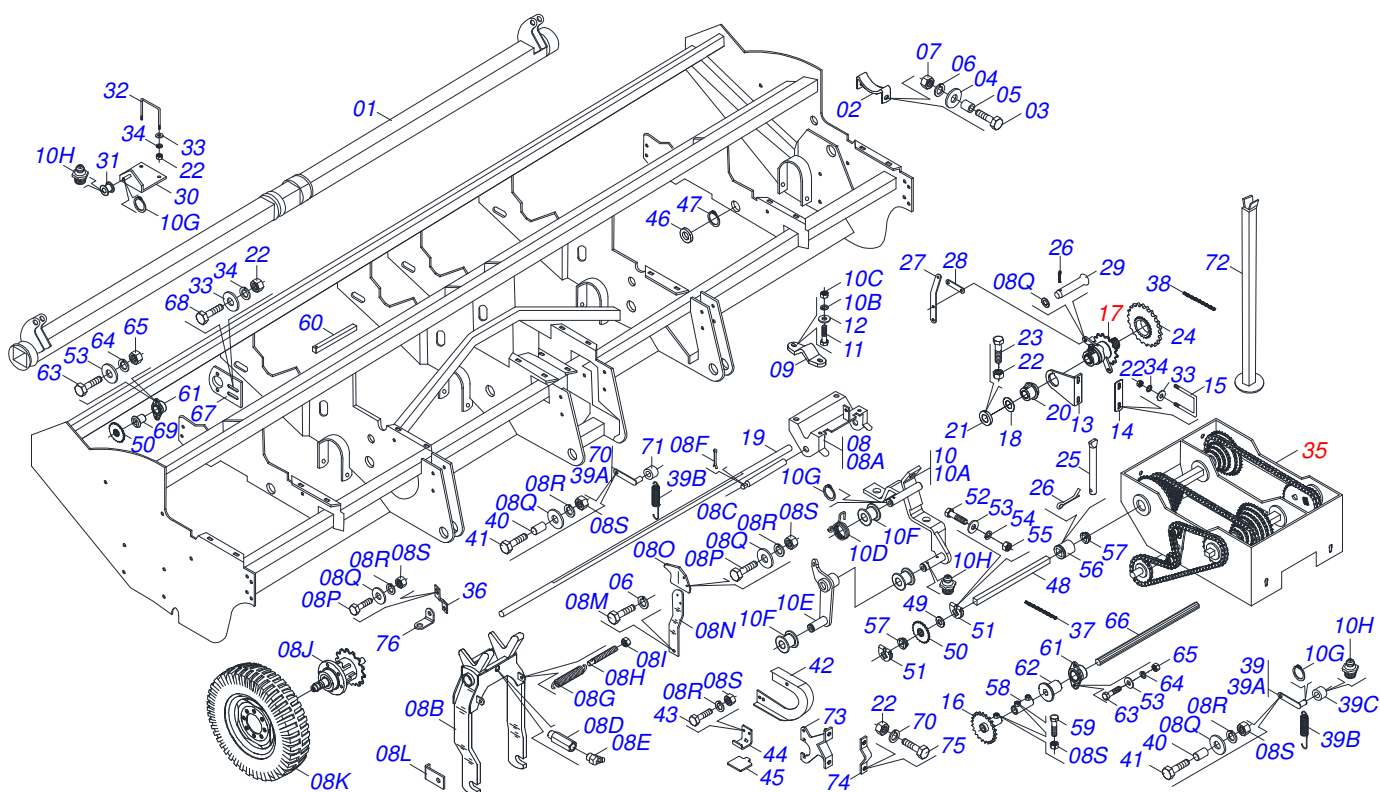
Item	Code	Description	See page	QT
001	0501069432			01
001A	1902020067			01
002	0501069433			01
003	0502010993	DETACHABLE COVER		01
004	0502010781	RING SUPPORT		01
005	0503010761	D-1750 SCRAPER RING		01
006	0503010170	PACKING 3120 2750		02
007	0503010976	2-336 N 3006-9B O'RING		01
008	0503010042	2-214 N 3006-9B O'RING		01
009	0502010843	1.8" X 3.4" PISTON		01
010	0503010949	W2-2000-500 PK RING G.E		01
011	0503010948	W4-3346-590 PK RING G.E		01
012	0503010990	GASKET		01
013	0503011060	8-336 BACK-UP RING		01
014	0503010063	1" SELF-ALIGNING NUT		01
015	0503010002	1800 GREASE FITTING		02
016	0503030385	CYLINDER PLUG N-002		02
017	0521160040	PAINTING BLACK		00
018	0501031796	HYDRAULIC CYLINDER REPAIR KIT		01



Item	Code	Description	See page	07 09 11
01	0501069458			01 00 00
01.	0501069459			00 01 00
01..	0501069460			00 00 01
02	0521013199	LOWER BEARING SEMI		04 04 04
03	0503010232	5/8" X 1.3/4" BOLT		08 08 08
04	0501012140	FLAT WASHER		08 08 08
05	0521010501	SPACING BUSHING PINION MOTOR		08 08 08
06	0503010027	5/8" SPRING WASHER		16 24 24
07	0503011319	5/8" HEX NUT		08 08 08
08	0501051899			02 04 04
08A	0501069862			02 04 04
08B	0501069482			02 04 04
08C	0521012187	WHEEL AXLE ARM		02 04 04
08D	0521014316	EXTENSION GREASE FITTING 1/8 BSP X 40		02 04 04
08E	0503010003	1845 GREASE FITTING		03 05 05
08F	0503010523	1/4" X 2" COTTERPIN		04 08 08
08G	0503030425	1" X 6" X 0.2"TRACTION SPRING		04 08 08
08H	0501013491	5/8" TENSIONER SPRING		04 08 08
08I	0503010013	5/8" NUT		08 16 16
08J	0501051900		9	02 04 04
08K	0503060235	27.6"X0.63"-10L WHEEL & TIRE ASSY		02 04 04
08L	0521012190	AXLE LOCK		04 08 08
08M	0503011188	M16 X 2 X 50 BOLT		04 08 08
08N	0511060082			02 04 04
08O	0521013602			02 04 04
08P	0503010751	C3/8" X 1.1/4" HEX BOLT G.5		04 08 08
08Q	0501010984	FLAT WASHER		17 25 25
08R	0503010025	3/8" SPRING WASHER		13 17 17
08S	0503010026	3/8" NUT		14 18 18
09	0502011308	WHELL FASTENER		04 08 08
10	0501052464	CHAIN TIGHTENER ASSY		02 04 04
10A	0511060920	WHEEL CHAIN TENSIONER		01

Item	Code	Description	See page	07 09 11
10B	0503010023	3/4" SPRING WASHER		10 20 20
10C	0503010014	3/4" NUT		10 20 20
10D	0501013491	5/8" TENSIONER SPRING		01
10D.	0503030425	1" X 6" X 0.2" TRACTION SPRING		01
10E	0503010013	5/8" NUT		02
10E.	0511061055	WHEEL TIGHTENER		01
10F	0503031804	5Z GEAR P31,75		03
10G	0503010302	501019 SEAL RING		03
10H	0503010002	1800 GREASE FITTING		03
11	0501010370	3/4" X 5-1/2" BOLT		08 16 16
12	0501010322	FLAT WASHER		04 12 12
13	0511060962			02 04 04
14	0521014436	MOTOR CHOCK SUPPORT BEARING AXLE		02 04 04
15	0521014021	1/2" X 4.5" X 5.4" FASTENER		02 04 04
16	0521012239			01 01 01
17	0501051596	TRANSMISSION RIGHT DRIVING	8	02 04 04
18	0501018466	FLAT WASHER		03 06 06
19	0521012243			02 00 00
19.	0521012244	MOTOR SHAFT		00 02 00
19..	0521012245			00 00 02
20	0501110025	AGRICULTURAL BEARING		02 04 04
21	0511015961	LOCK BUSHING		02 04 04
22	0503010060	1/2" NUT		10 16 16
23	0501010155	1/2" X 1" BOLT		10 16 16
24	0511060055			02 04 04
25	0521010630			03 06 06
26	0503010257	1/8" X 1" COTTERPIN		11 21 21
27	0521012237			02 04 04
28	0521012238			02 04 04
29	0521010773	0.37" X 1.18" COUPLING SHAFT		08 16 16
30	0501048628			01 01 01
31	0501011768	SPRING FIXER		04 04 04
32	0503010718	3/8" X 3-1/2" BOLT		00 01 00
33	0521014206			00 01 00
34	0503012146			01 01 01
35	0503012147			02 02 02
36	0501052023			01 02 01
36A	0511060083			01 02 01
36B	0503030242	0.8" X 4.7" X 0.08" TRACTION SPRING		02 02 02
36C	0521012930			01 02 01
37	0521013605			02 01 02
38	0503010849	3/8" X 1-1/2" BOLT		02 01 02
39	0521013511			02 02 02
40	0521013518			02 02 02
41	0501011643	3/8 X 1" BOLT		04 04 04
42	0521013520			02 04 04
43	0503011410	ROLLER BEARING		01 01 01
44	0503011105	SEAL RING		01 01 01
45	0521012961			01 00 01
45.	0521012848			00 01 00
46	0511017136	FLAT WASHER		04 04 04
47	0501069707			02 02 02
48	0521010691	AXLE FASTENER		02 02 02
49	0503010373	1/4" X 2" BOLT		02 02 02
50	0501010694	8.5 X 18 X 1.5 FLAT WASHER		06 06 06
51	0503010143	1/4" SPRING WASHER		02 02 02
52	0503010144	1/4" NUT		02 02 02
53	0503010385	1/2" X 3" BOLT		02 02 02
54	0521012860			01 01 01
55	0503030303	SUPPORT WASHER		02 02 02

Item	Code	Description	See page	07 09 11
56	0501069515			01 01 01
57	0521012852			02 00 00
57.	0521012850			00 02 00
57..	0521012854			00 00 02
58	0511060062			01 01 01
59	0503010237	3/8" X 1" BOLT		01 01 01
60	0501110294	BEARING OF THE GEAR RIGHT BOX		02 02 02
61	0502040723	5/8 HEX AXLE BEARING SLEEVE		01 01 02
62	0503010365	NUT		02 02 02
63	0503010179	5/16" ZN SPRING WASHER		04 04 04
64	0503010337	5/16" NUT		04 04 04
65	0521013451			01 00 00
66	0521014217			00 01 00
67	0521014198			00 00 01
68	0503010920	1/2" X 1.1/2" BOLT		02 02 02
69	0511017302	FLAT WASHER		06 10 10
70	0503010019	1/2" SPRING WASHER		06 10 10
71	0521012485	GEAR BOX BEARING AGRICUTURAL		01 01 01
72	0521013615			01 01 01
73	0501052136			01 01 01
74	0511016554	TENSIONER ROLD		01 00 01
75	0511015423	WRENCH SUPPORT		01 01 01
76	0501069794			01 01 01
77	0501069454			01 01 01

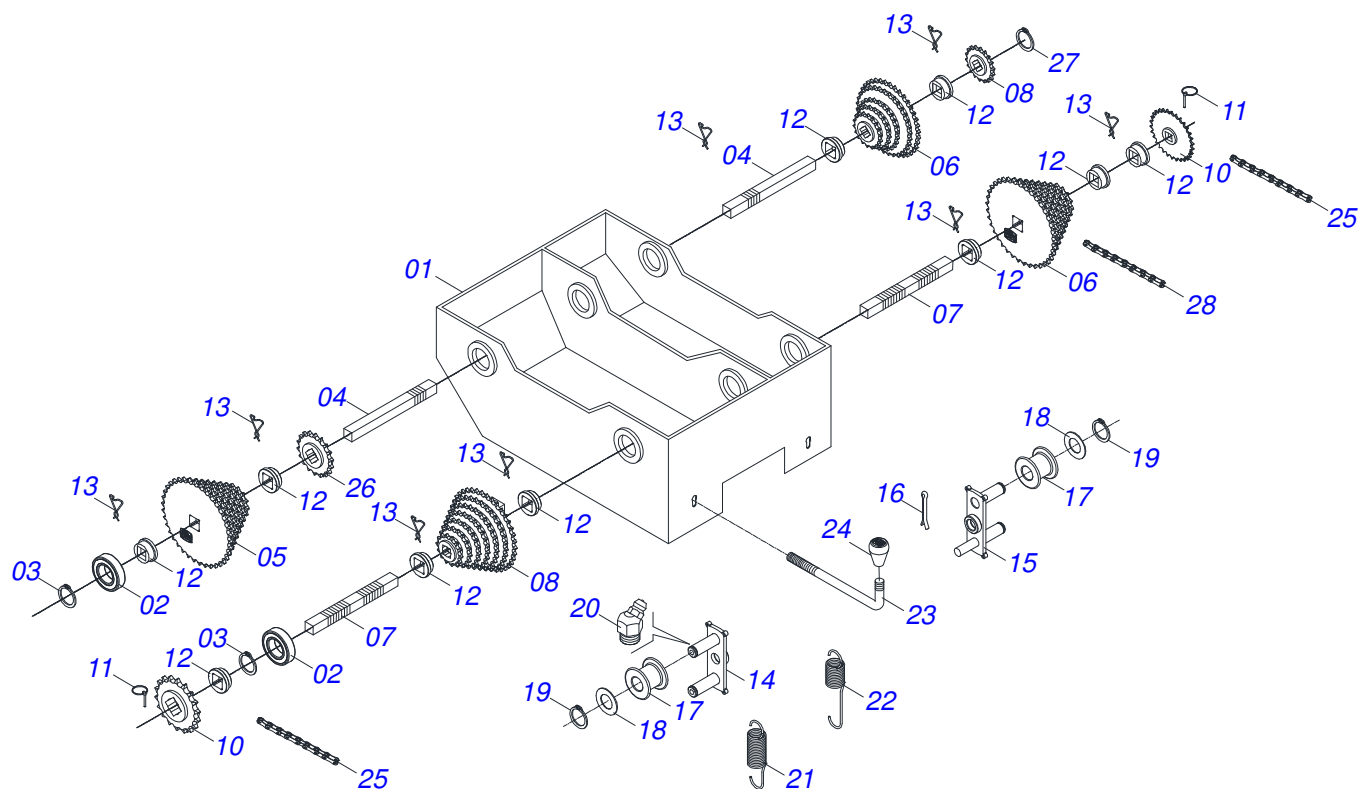


Item	Code	Description	See page	13 15
01	0501069461			01 00
01.	0501069462			00 01
02	0521013199	LOWER BEARING SEMI		06 06
03	0503010232	5/8" X 1.3/4" BOLT		12 12
04	0501012140	FLAT WASHER		12 12
05	0521010501	SPACING BUSHING PINION MOTOR		12 12
06	0503010027	5/8" SPRING WASHER		25 25
07	0503011319	5/8" HEX NUT		12 12
08	0501051899			04 04
08A	0501069862			04 04
08B	0501069482			04 04
08C	0521012187	WHEEL AXLE ARM		04 04
08D	0521014316	EXTENSION GREASE FITTING 1/8 BSP X 40		04 04
08E	0503010003	1845 GREASE FITTING		07 07
08F	0503010523	1/4" X 2" COTTERPIN		04 04
08G	0503030425	1" X 6" X 0.2"TRACTION SPRING		08 08
08H	0501013491	5/8" TENSIONER SPRING		08 08
08I	0503010013	5/8" NUT		04 04
08J	0501051900		9	04 04
08K	0503060235	27.6"X0.63"-10L WHEEL & TIRE ASSY		04 04
08L	0521012190	AXLE LOCK		08 08
08M	0503011188	M16 X 2 X 50 BOLT		08 08
08N	0511060082			04 04
08O	0521013602			04 04
08P	0503010751	C3/8" X 1.1/4" HEX BOLT G.5		16 16
08Q	0501010984	FLAT WASHER		42 42
08R	0503010025	3/8" SPRING WASHER		26 26
08S	0503010026	3/8" NUT		20 20
09	0502011308	WHELL FASTENER		08 08
10	0501052216			04 04
10A	0501069622			04 04
10B	0503010023	3/4" SPRING WASHER		04 04

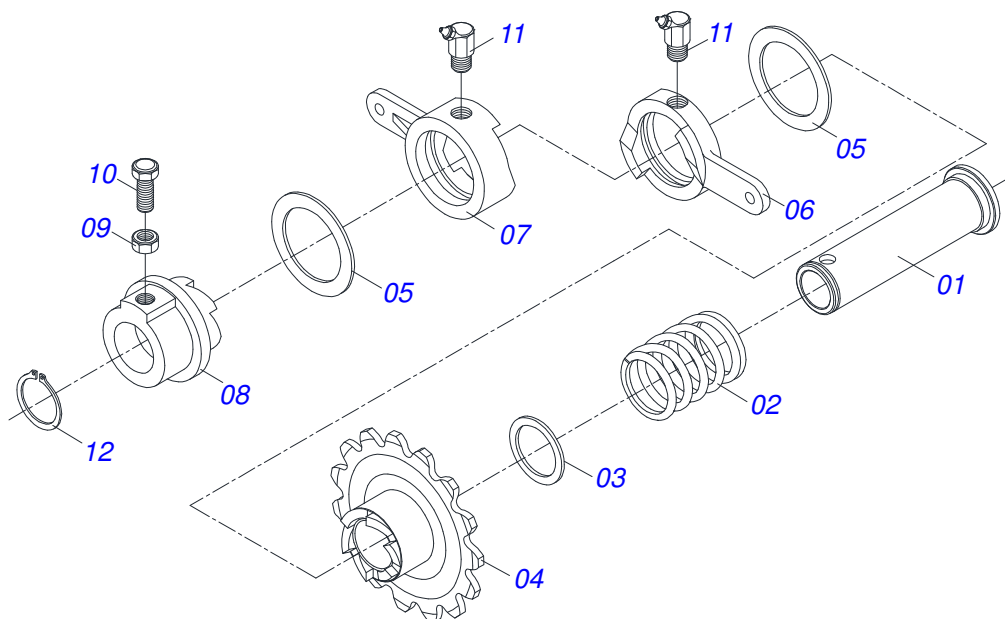


Item	Code	Description	See page	13 15
10C	0503010014	3/4" NUT		20 20
10D	0503031435			20 20
10E	0501069600			04 04
10F	0503030402	PULLEY		04 04
10G	0503010302	501019 SEAL RING		04 04
10H	0503010002	1800 GREASE FITTING		08 08
11	0501010370	3/4" X 5-1/2" BOLT		16 16
12	0501010322	FLAT WASHER		12 12
13	0511060962			06 06
14	0521014436	MOTOR CHOCK SUPPORT BEARING AXLE		06 06
15	0521014021	1/2" X 4.5" X 5.4" FASTENER		06 06
16	0511060062			02 02
17	0501051596	TRANSMISSION RIGHT DRIVING	8	04 04
18	0501018466	FLAT WASHER		04 04
19	0521013802			02 00
19.	0521013553			00 02
20	0501110025	AGRICULTURAL BEARING		08 08
21	0511015961	LOCK BUSHING		06 06
22	0503010060	1/2" NUT		24 24
23	0501010155	1/2" X 1" BOLT		06 06
24	0511060055			04 04
25	0521010630			06 06
26	0503010257	1/8" X 1" COTTERPIN		22 22
27	0521012237			04 04
28	0521012238			04 04
29	0521010773	0.37" X 1.18" COUPLING SHAFT		16 16
30	0511060093			02 02
31	0521013735	PULLEY ACTIVA 13/15 S-0199		02 02
32	0521010656	1/2" X 4.3" X 3.3" FASTENER		04 04
33	0511017302	FLAT WASHER		14 14
34	0503010019	1/2" SPRING WASHER		18 18
35	0501048495			01 01
35.	0501048496			01 01
36	0501011768	SPRING FIXER		06 06
37	0503012146			02 02
38	0503012147			02 02
39	0501052023			02 02
39A	0511060083			04 04
39B	0503030242	0.8" X 4.7" X 0.08" TRACTION SPRING		04 04
39C	0521012930			02 02
40	0521013605			04 04
41	0503010849	3/8" X 1-1/2" BOLT		04 04
42	0521013511			04 04
43	0501011643	3/8 X 1"BOLT		08 08
44	0521013518			04 04
45	0521013520			04 04
46	0503011410	ROLLER BEARING		04 04
47	0503011105	SEAL RING		04 04
48	0521013805			02 02
49	0511015231	FLAT WASHER		04 04
50	0501069707			04 04
51	0521010691	AXLE FASTENER		04 04
52	0503010373	1/4" X 2" BOLT		04 04
53	0501010694	8.5 X 18 X 1.5 FLAT WASHER		12 12
54	0503010143	1/4" SPRING WASHER		04 04
55	0503010144	1/4" NUT		04 04
56	0521012860			02 02
57	0503030303	SUPPORT WASHER		04 04
58	0501069502	SLEEVE 1" X 1.2" NUT		02 02
59	0503010237	3/8" X 1" BOLT		02 02

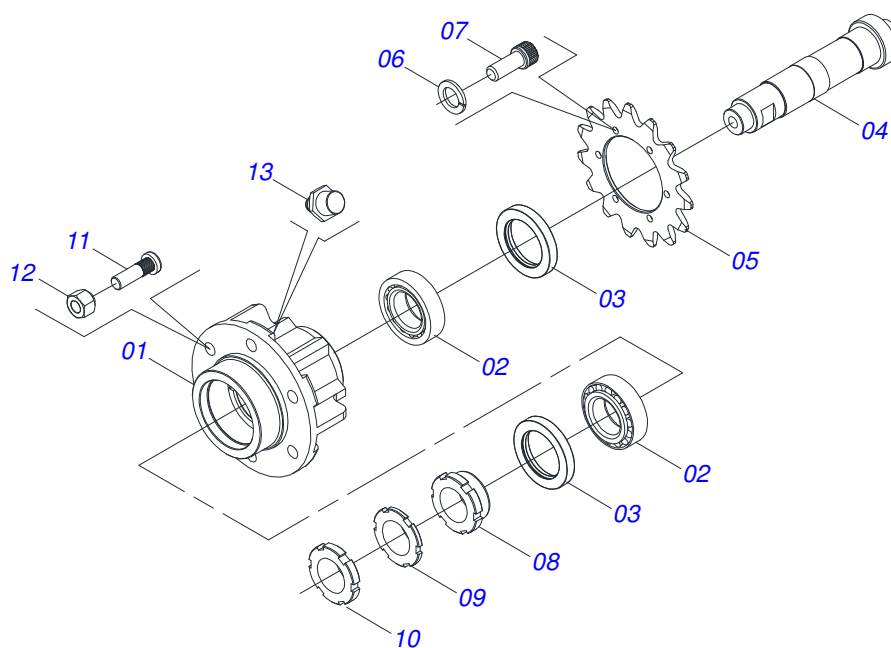
Item	Code	Description	See page	13 15
60	0521013615			02 02
61	0501110294	BEARING OF THE GEAR RIGHT BOX		04 04
62	0502040723	5/8 HEX AXLE BEARING SLEEVE		04 04
63	0503010365	NUT		08 08
64	0503010179	5/16" ZN SPRING WASHER		08 08
65	0503010337	5/16" NUT		08 08
66	0521012856			02 00
66.	0521012858			00 02
67	0521013451			02 02
68	0503010920	1/2" X 1.1/2" BOLT		04 04
69	0521012485	GEAR BOX BEARING AGRICUTURAL		02 02
70	0501052136			02 02
71	0511016554	TENSIONER ROLD		02 02
72	0501069794			01 01
73	0501069454			02 02
74	0521012239			02 02
75	0503010385	1/2" X 3" BOLT		04 04
76	0511015423	WRENCH SUPPORT		01 01



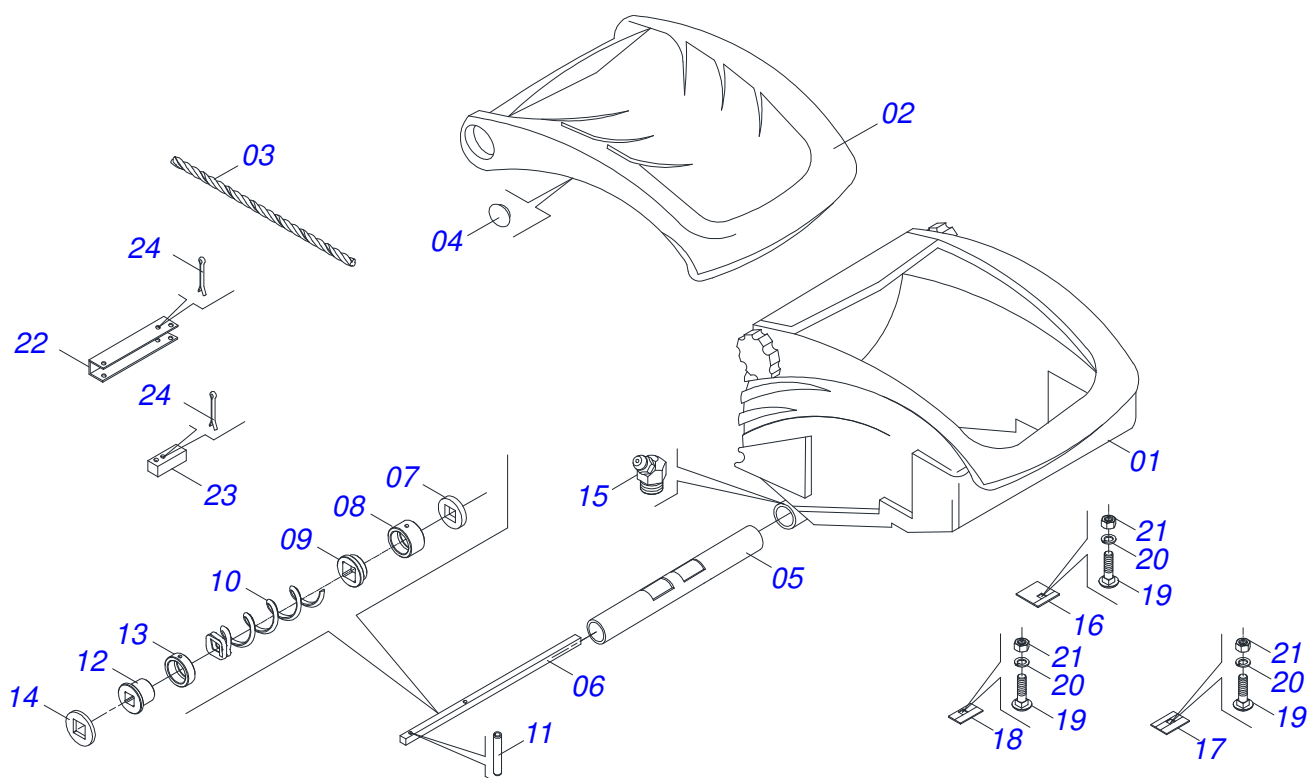
Item	Code	Description	See page	QT
00	0501048628			
00.	0501048495			
00..	0501048496			
01	0511060071			01
01.	0511060072			01
02	0503011410	ROLLER BEARING		08
03	0503011105	SEAL RING		04
04	0521013529			02
05	0511060053			01
06	0501069988			02
07	0521013528			02
08	0511060052			01
09	0511060275			02
10	0511060054			02
11	0503030085	LOCK PIN		02
12	0503030303	SUPPORT WASHER		08
13	0503031368			08
14	0511060073	VARIAD CHAIN TENSIONER		03
15	0511060075			01
16	0503010778	1/8" X 1.1/2" COTTERPIN		04
17	0521013833			08
18	0511015098	FLAT WASHER		10
19	0503010302	501019 SEAL RING		08
20	0503010004	1890 GREASE FITTING		08
21	0503030093	TRACTION SPRING		02
22	0503030418	TRACTION SPRING		02
23	0521012849			02
24	0503030878	LEVER CRANK		02
25	0503012143	78 CHAIN X 40-1 LINK + REDUCTION		02
26	0501069707			01
27	0503010406	501025 CLAMPING RING (FOR AXLE)		08
28	0503011954	40-1 X 3.58 CHAIN LINK + MENDING		01



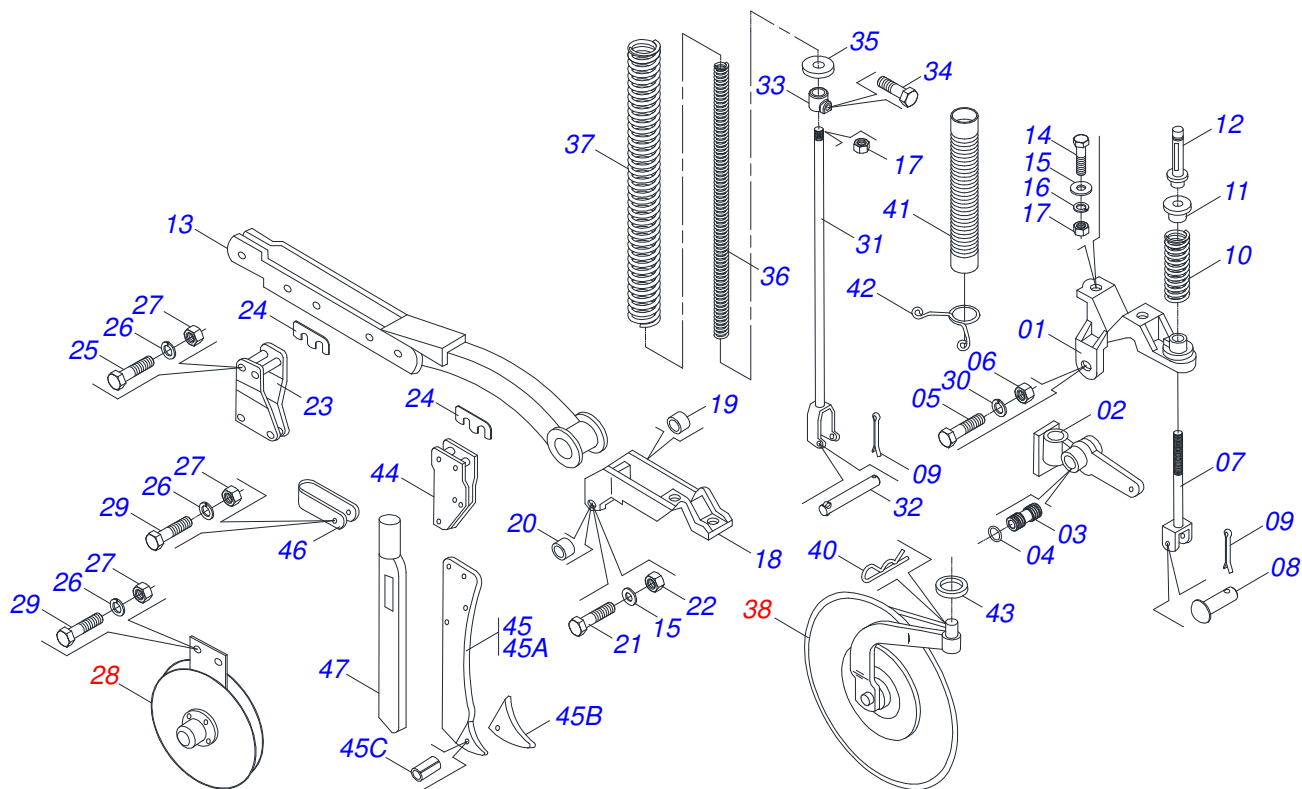
Item	Code	Description	See page	QT
01	0501110220	MECHANICAL RATCHET AXLE		01
02	0503030553	2.3"X 2.5"X 0.2"COMPRESSION SPRING		01
03	0501019735	FLAT WASHER		01
04	0502011329	14Z GEAR WITH RIGHT DRAGGER		01
05	0501019734	FLAT WASHER		02
06	0502010711	RIGHT CAM,LARGER		01
07	0502010710	RIGHT CAM, SMALLER		01
08	0502010708	RH DRIVING AXLE FOLLOWER		01
09	0503010060	1/2" NUT		01
10	0503011082	C1/2" X 1.3/4" SCREW		01
11	0503010003	1845 GREASE FITTING		02
12	0503010542	501045 CLAMPING RING (FOR AXLE)		01



Item	Code	Description	See page	QT
001	0501110721	WHEEL HUB WITH SCREW / NUTS		01
002	0503010328	25590/25523 ROLLER BEARING		02
003	0503010804	00547-B SEAL		02
004	0521012185	TRANSM AXLE CARRYING-WHEEL		01
005	0521013319			01
006	0503010179	5/16" ZN SPRING WASHER		06
007	0503010358	5/16" X 5/8" BOLT		06
008	0511015949	LOCK NUT		01
009	0503010329	LOCK WASHER		01
010	0503010330	KM 9 LOCKNUT		01
011	0501010127	9/16" X 1-7/8" LUG BOLT		06
012	0503010035	9/16" CONIC NUT		06
013	0503010002	1800 GREASE FITTING		01



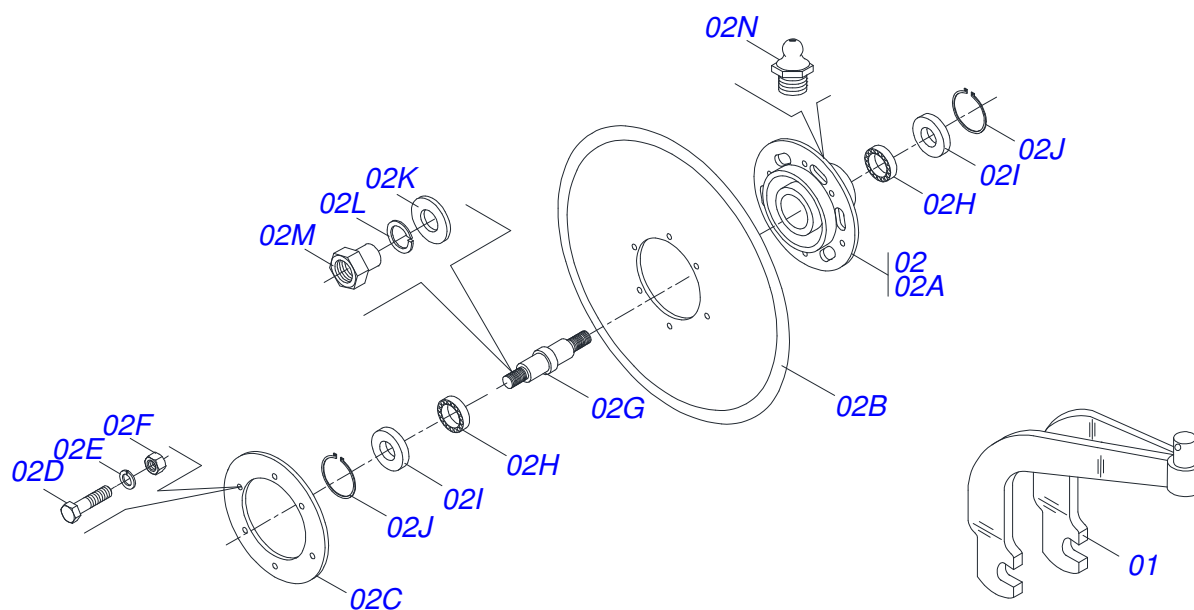
Item	Code	Description	See page	QT
01	0503031349		01	01
02	0503031350		01	01
03	0521011683		02	02
04	0503031434		02	02
05	0521013349		01	01
06	0521013351		01	01
07	0501013774	GREASE SEAL	01	01
08	0502011681	GUIDES AXLE FERTILIZER SLEEVE CENTE	01	01
09	0503031527	AGRICULTURAL BEARING	02	02
10	0503031469	RIGHT HELICAL SPRING	01	01
10.	0503031471	LEFT HELICAL SPRING	01	01
11	0503010585	0,24" X 1.18" SPRING PIN	04	04
12	0503030275	AGRICULTURAL BEARING	02	02
13	0502020646	FERTILIZER AXLE SLEVE GUIDES	02	02
14	0501010637	FLAT WASHER	02	02
15	0503012102	CREASE FITTING	02	02
16	0521013599		05	05
17	0521012937		02	02
18	0521012757		08	08
19	0503012110	1/2" X 3-3/4" BOLT	08	08
20	0511017302	FLAT WASHER	08	08
21	0503011336	1/2" HEX SELF ADJUSTING NUT	08	08
22	0521013643		04	04
23	0521013662		02	02
24	0503010571	1/4" X 1.1/2 COTTERPIN	02	02



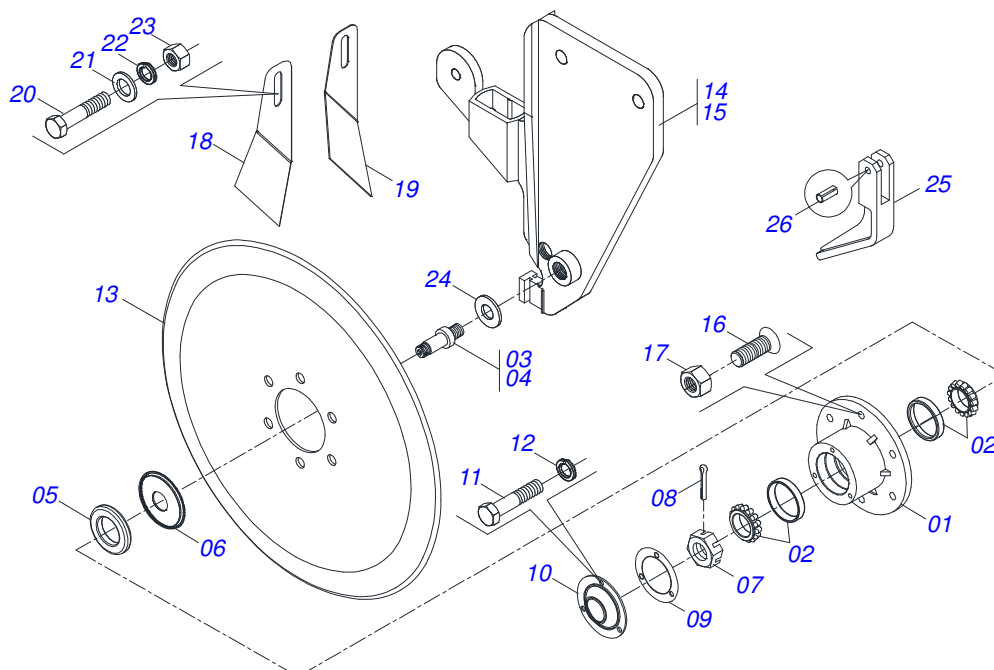
Item	Code	Description	See page	CT LG
00	0501048493			
00.	0501048494			
01	0502011238			01 00
01.	0502011239			00 01
02	0502011569			01 01
03	0521014321	ARTICULATION ARM REEL		01 01
04	0503010046	2-216 N 3006-9B O'RING		02 02
05	0501010370	3/4" X 5-1/2" BOLT		01 01
06	0503011255	3/4" LOCK NUT		01 01
07	0501069317			01 01
08	0521010542	COUPLING SHAFT		01 01
09	0503010257	1/8" X 1" COTTERPIN		02 02
10	0503031341	2.7 X 8 X 0.5 COMPRESSION SPRING		01 01
11	0502020394	SPRING SUPPORT		01 01
12	0502011386			01 01
13	0511061181			01 01
14	0501011543	5/8" X 4" BOLT		02 02
15	0501012140	FLAT WASHER		04 04
16	0503010027	5/8" SPRING WASHER		02 02
17	0503010013	5/8" NUT		03 03
18	0502011650			01 01
19	0521010482	ARTICULAT SLEEVE		02 02
20	0521010050			01 01
21	0511010736	5/8" X 5-1/4" BOLT		01 01
22	0503010878	5/8" SELF ALIGNING NUT		01 01
23	0511060081			01 01
24	0521013714			04 04
25	0503010547	1/2" X 4" BOLT		02 02
26	0503010019	1/2" SPRING WASHER		04 04
27	0503010060	1/2" NUT		04 04
28	0501052048			01 01
28.	0501052049			01 01

Item	Code	Description	See page	CT LG
29	0503010740	1/2" X 2" BOLT		02 02
30	0501010322	FLAT WASHER		01 01
31	0511060084			01 01
32	0521010553	0.5" X 3" COUPLING SHAFT		01 01
33	0502040725	SPRING BUSHING LOCK GUIDE		02 02
34	0503010834	1/2 X 1 BOLT		02 02
35	0501011090	FLAT WASHER		02 02
36	0503031359	1"X15.75"X0.15" COMPRESSION SPRING		01 01
37	0503031360	1.68"X17.75"X0.3" COMPRESS SPRING		01 01
38	0501048523		12	01 01
39	0501012916	FLAT WASHER 38,50 X 66 X 4,75 ZN		01 01
40	0503031035	HAIR PIN		01 01
41	0503030195	2" X 2" X 12.2" HOSE		01 01
42	0503031076	2" HOSE CLAMP		02 02
43	0521011100	FLAT WASHER		01 01
44	0511060068			01 01
45	0501051896			01 01
45A	0521011935			01 01
45B	0502070061	POINT SUBSOILER		01 01
45C	0503011373	0.4" X 1.1" SPRING PIN		01 01
46	0521013627			01 01
47	0511060449			01 01

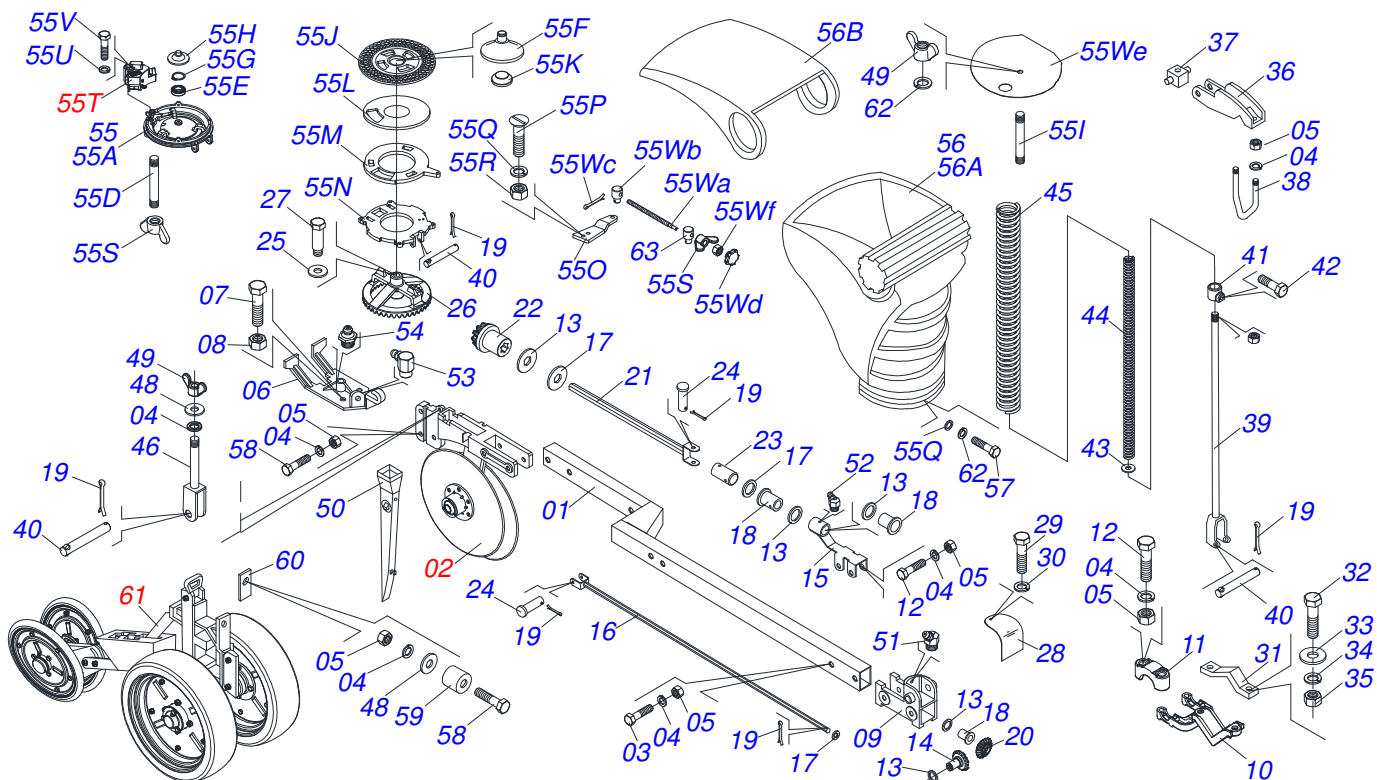




Item	Code	Description	See page	QT
01	0511060067			01
02	0501052139	18 BLADE DISC WITH FLAT PLAN DISC		01
02A	0502011562	DC PST ACT/ULTR BOX		01
02B	0603026013	PLAIN COULTER BLADE		01
02C	0502020641	BLADE DISC FLANGE		01
02D	0503010363	5/16" X 1" BOLT		06
02E	0503011444	SPRING WASHER		06
02F	0503010337	5/16" NUT		06
02G	0521013610	BLADE DISC HUB AXLE		01
02H	0503010276	6206 BALL BEARING		02
02I	0503012417	SEAL		02
02J	0503011800	SEAL RING		02
02K	0511015346	FLAT WASHER		02
02L	0503011438	SPRING WASHER		02
02M	0521013510	3/4" NUT		02
02N	0503010691	1/4" GREASE FITTING		01



Item	Code	Description	See page	QT
00	0501052048			
00.	0501052049			
01	0502011275	DOBLE DISC BOX		02 02
02	0503010598	30204 BALL BEARING		04 04
03	0511011344	3/4" UNC RIGHT DDD HUB AXLE		01 01
04	0511011345	3/4" UNC LH DDD HUB AXLE		01 01
05	0503011112	SEAL 02376-BRG		02 02
06	0511011927	DUST CLOAK		02 02
07	0503030282	3/4" CASTLE NUT		02 02
08	0503010140	1/8" X 3/4" COTTERPIN		02 02
09	0503030757	2.9" X 2" X 0.02" JOINT		02 02
10	0502011265	DD PROTECCION COVER		02 02
11	0503010519	1/4" X 5/8" BOLT		06 06
12	0503010143	1/4" SPRING WASHER		06 06
13	0603022042	13" X 0.12" PLAIN COULTER BLADE		02 02
14	0502011160	15"X15" RIGHT DOUBLE DISC SUPPORT		01 00
15	0502011161	15"X15" LEFT DOUBLE DISC SUPPORT		00 01
16	0503010546	5/16" X 7/8" BOLT		12 12
17	0503010337	5/16" NUT		12 12
18	0501017541	RH DOUBLE DISC SCRAPER		01 01
19	0501017542	LH DOUBLE DISC SCRAPER		01 01
20	0503010237	3/8" X 1" BOLT		01 01
21	0501010984	FLAT WASHER		01 01
22	0503010025	3/8" SPRING WASHER		01 01
23	0503010026	3/8" NUT		01 01
24	0511015098	FLAT WASHER		02 02
25	0502070062	SCRAPER		01 01
26	0503011402	0.2" X 0.8" SPRING PIN		01 01



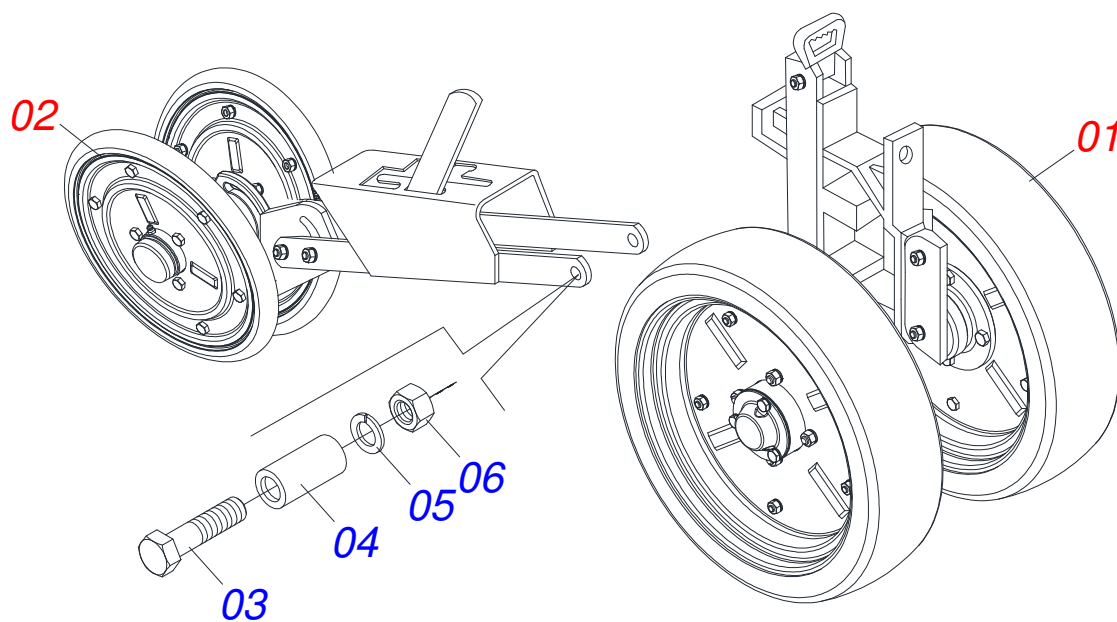
Item	Code	Description	See page	CURTA LONGA
00	0501051854	RIGHT SHORT SEED ROW PST ACT		01 00
00A	0501051855	LEFHT SHORR SEED ROW		01 00
00B	0501051856	RIGHT LONG SEED ROW		00 01
00C	0501051857	LEFT LONG SEED ROW		00 01
01	0511060064	SEED ROW ARM MINOR		01 00
01.	0511060063	ARM LARGER SEED ROW		00 01
02	0501051863	15" X 15" DOUBLE DISC RIGHT ASSY	18	01 01
03	0503010547	1/2" X 4" BOLT		'04 04
04	0503010019	1/2" SPRING WASHER		16 16
05	0503010060	1/2" NUT		17 17
06	0502011247	SEED SYSTEM RIGHT SUPPORT		01 01
07	0501019219	1/2" X 1-3/4" BOLT		02 02
08	0503011336	1/2" HEX SELF ADJUSTING NUT		02 02
09	0502011243	ARTICULATOR SUPPORT		01 01
10	0502011242	LOWER BEARING SEMI		01 01
11	0502010426	UPPER BEARING SEMI		02 02
12	0503010479	1/2" X 3" BOLT		06 06
13	0501013354	FLAT WASHER		04 04
14	0502011400	18Z CONICAL GEAR		01 01
15	0511060284	BEARING AXLE SEED ROW MINOR		01 00
15.	0511060099	BEARING AXLE SEED LARGER		00 01
16	0511060069	EXLE FRONT MINOR SEED ROW		01 00
16.	0511060070	FRONT AXLE MINOR SEED ROW		00 01
17	0521011859	FLAT WASHER		06 06
18	0502011460	CONIC PINION SLEVE		03 03
19	0503010257	1/8" X 1" COTTERPIN		07 07
20	0502011461	CONIC GEAR 18Z		01 01
21	0501069358	REAR AXLE SEED ROW		01 01
22	0502011411	10Z CONICAL GEAR		01 01
23	0521011664	COUPLING AXLE		01 01
24	0521011677	COUPLING SHAFT		02 02

Item	Code	Description	See page	CURTA LONGA
25	0501017157	WASHER SPACER		01 01
26	0502011253	CONIC GEAR		01 01
27	0511014861	GEAR AXLE		01 01
28	0521011478	COVER HEADER SEED ROW		01 01
29	0503011441	SPRING WASHER		05 05
30	0503010298	1/4" X 1/2" BOLT		05 05
31	0502010175	HITCH CLAMP		01 01
32	0501011543	5/8" X 4" BOLT		02 02
33	0501012140	FLAT WASHER		02 02
34	0503010027	5/8" SPRING WASHER		02 02
35	0503010013	5/8" NUT		03 03
36	0502011668	SUPPORT ADJUSTING SPRING		01 01
37	0502011538	SPRING GUIDE		02 02
38	0521011771	1/2" X 4.02" X 4.41" FASTENER		01 01
39	0511060084			01 01
40	0521010553	0.5" X 3" COUPLING SHAFT		02 02
41	0502040725	SPRING BUSHING LOCK GUIDE		02 02
42	0503010834	1/2 X 1 BOLT		03 03
43	0501011090	FLAT WASHER		01 01
44	0503031359	1"X15.75"X0.15" COMPRESSION SPRING		01 01
45	0503031360	1.68"X17.75"X0.3" COMPRESS SPRING		01 01
46	0501069269	SEED BOX FIXER		01 01
47	0521011677	COUPLING SHAFT		01 01
48	0511017302	FLAT WASHER		02 02
49	0503010918	BUTTERFLY NUT 1/2 NC		02 02
50	0503031348	SEED SOCKET		01 01
51	0503011099	GREASE FITTING		02 02
52	0503010003	1845 GREASE FITTING		01 01
53	0503011098	1/4" GREASE FITTING		01 01
54	0503010691	1/4" GREASE FITTING		01 01
55	0501051865	SEED SYSTEM ASSY		01 01
55A	0502011255	SUPPORT BOX SEED		01 01
55B	0521012731	SCALE ADJUSTMENT		01 01
55C	0503010001	3.2 X 5.5 RIVET		02 02
55D	0503030083	3/8" X 3/8" X 1.6" STUD		04 04
55E	0503011181	6204 ROLLER BEARING		01 01
55F	0502011529	SEED DISC SUPPORT		01 01
55G	0503010302	501019 SEAL RING		01 01
55H	0502020638	UPPER COVER SISTEM SEED		01 01
55I	0521013619	ROD SUPPORT DEFLECTOR		01 01
55J	0502011513	SOYBEAN SEED DISC 132F		01 01
55K	0502011528	FIXER SEED DISC		01 01
55L	0502011506	DISC SEAT SUPPORT SISTEM SEED		01 01
55M	0502011522	DISC SEAT LOWER SISTEM SEED		01 01
55N	0502011251	SISTEM SEED BASE		01 01
55O	0521013095	PIVOT AXLE FIXER		01 01
55P	0503011767	5/16" X 1" BOLT		02 02
55Q	0503010179	5/16" ZN SPRING WASHER		02 02
55R	0503010337	5/16" NUT		02 02
55S	0503010209	3/8" UNC BUTTERFLY NUT		05 05
55T	0501050693	DOSER SOYBEAN ASSY		01 01
55U	0503010305	FLAT WASHER		03 03
55V	0503010373	1/4" X 2" BOLT		03 03
55W	0521013096	PIVOT AXLE REGULATOR SEAT		01 01
55Wa	0521013093	AXLE REGULATOR		01 01
55Wb	0521013094	REGULATOR FIXER		01 01
55Wc	0503010140	1/8" X 3/4" COTTERPIN		01 01
55Wd	0503010293	BAQUELITE MANIPULACION		01 01
55We	0511060097	DEFLECTOR		01 01

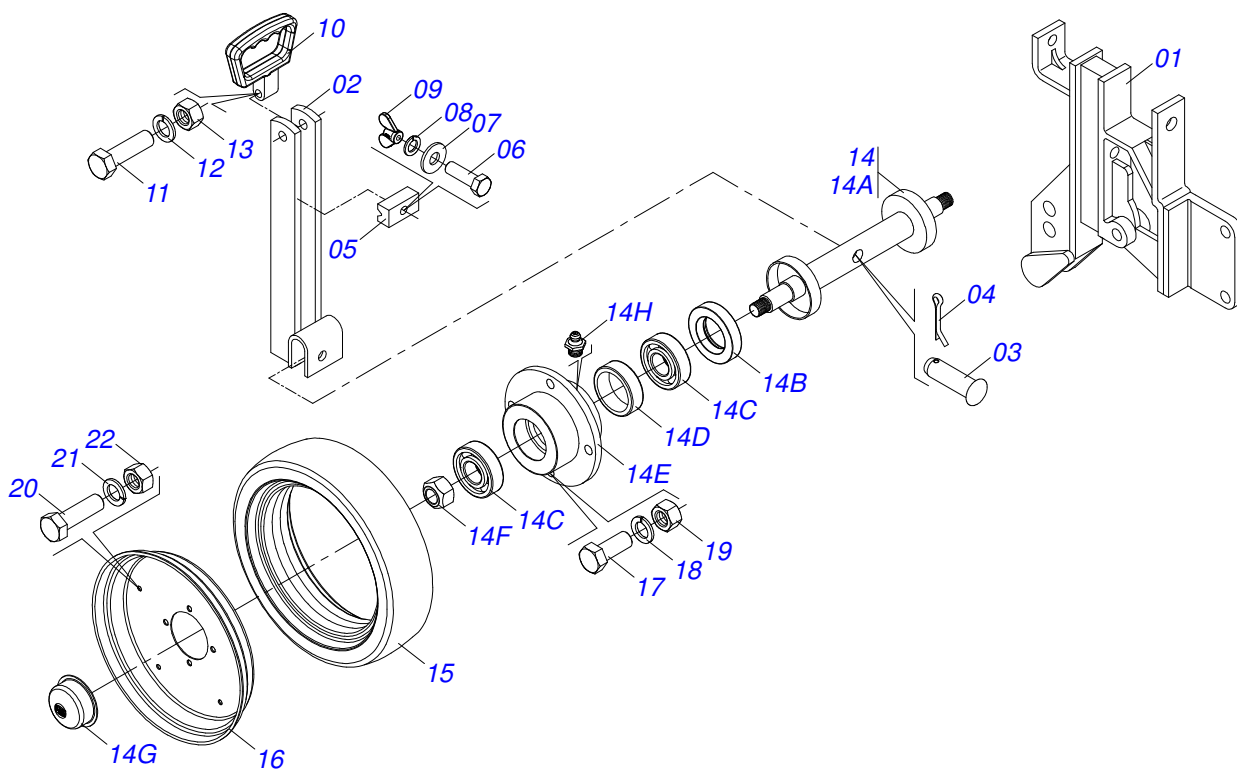
**SEED ROW PST ACTIVA S-0199**

0909098775

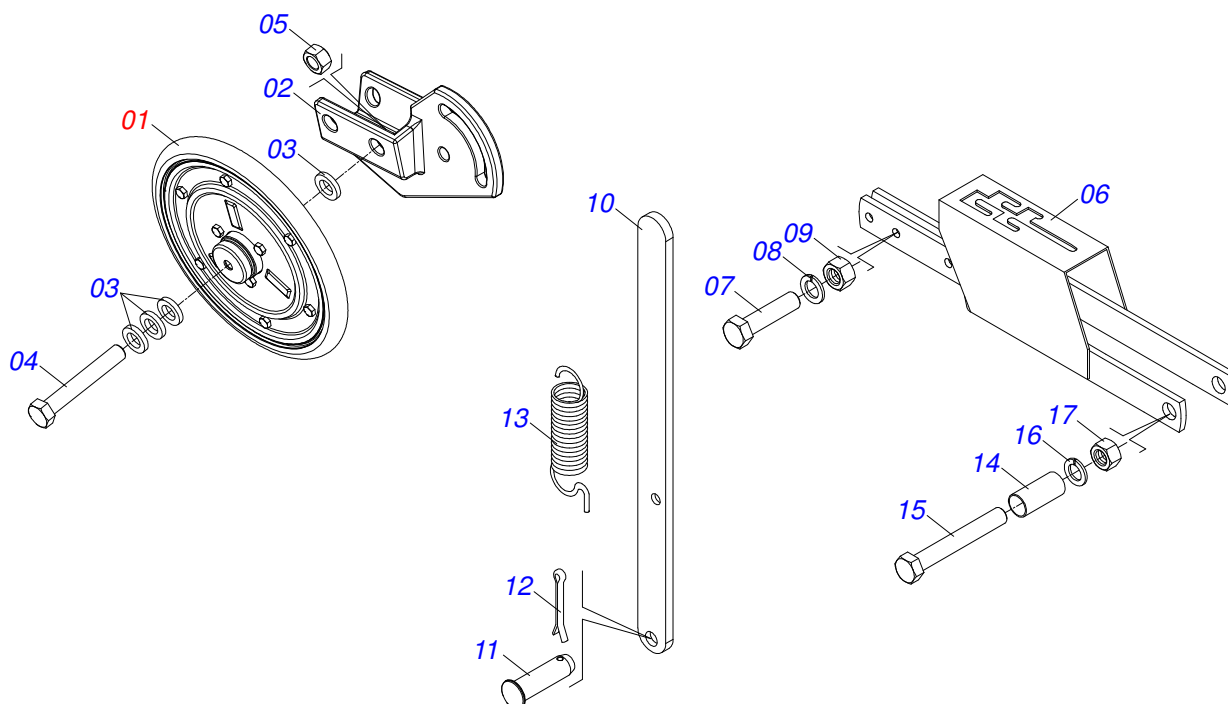
Item	Code	Description	See page	CURTA LONGA
55Wf	0503010026	3/8" NUT		04 04
56	0503031343	SEED BEAM GREEN		01 01
56A	0503031344	SEED BEAM		01 01
56B	0503031345	SEED BEAM COVER YELLOW		01 01
57	0503010178	5/16" X 7/8" BOLT		04 04
58	0503010740	1/2" X 2" BOLT		03 03
59	0521010505	13,50 X 19,00 X 21,50 SLEEVE		01 01
60	0521013425	PLATE		01 00
61	0501052050	SYSTEM WHEELS CONTROL	15	01 01
62	0501010984	FLAT WASHER		02 02
63	0521013096	PIVOT AXLE REGULATOR SEAT		01 01



Item	Code	Description	See page	QT
001	0501048047	ASSY DEPTH WHEEL	16	01
002	0501052145	COMPACTING WHEEL V	17	01
003	0503010740	1/2" X 2" BOLT		01
004	0521010505	13,50 X 19,00 X 21,50 SLEEVE		01
005	0503010019	1/2" SPRING WASHER		01
006	0503010060	1/2" NUT		01

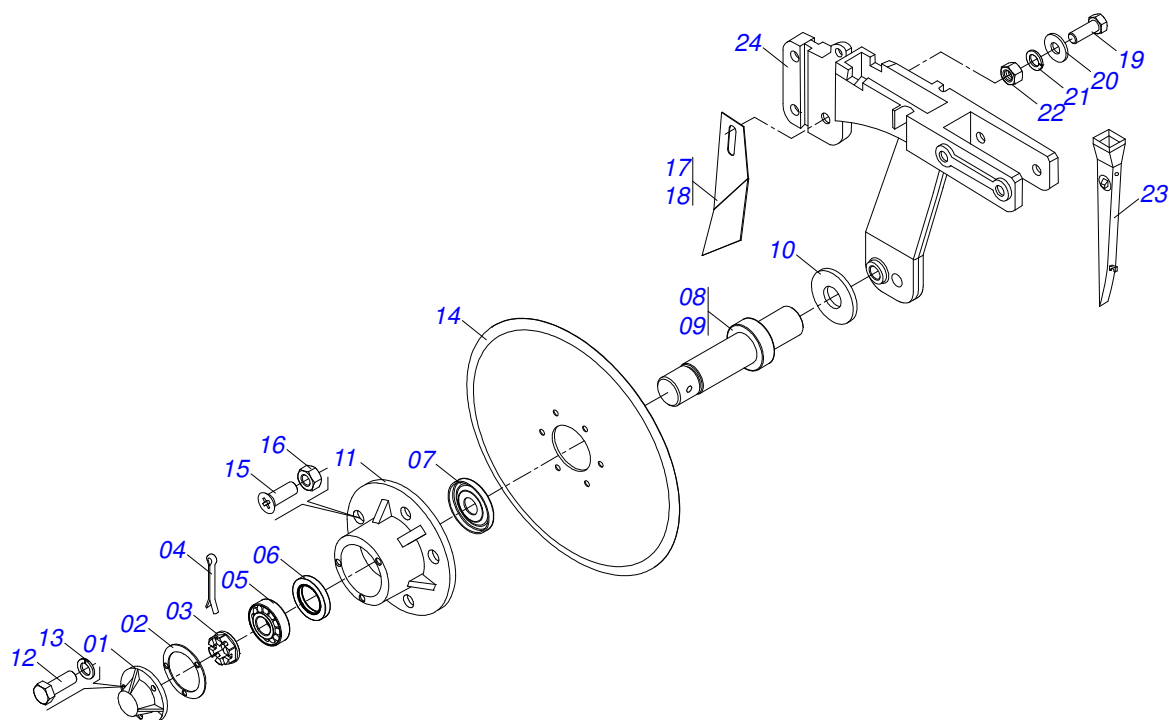


Item	Code	Description	See page	QT
01	0502011467			01
02	0501069268			01
03	0521010549	COUPLING SHAFT		01
04	0503010257	1/8" X 1" COTTERPIN		01
05	0502011455			01
06	0503010752	1/2" X 3.1/2" BOLT		01
07	0511017302	FLAT WASHER		01
08	0503011440	SPRING WASHER		01
09	0502011252	1/2" UNC BUTTERFLY NUT		01
10	0502011244			01
11	0503011268	3/8" X 2-1/2" BOLT		01
12	0503011443	3/8" SPRING WASHER		01
13	0503010026	3/8" NUT		01
14	0501051867	DEPTH WHEEL		01
14A	0501069401	DEPTH WHEEL AXLE		01
14B	0503010689	SEAL 00763-BR		02
14C	0503010269	6204 BALL BEARING		02
14D	0521010489	SLEEVE SPACER		02
14E	0502020619	DEPHT WHEELS BOX		02
14F	0503010878	5/8" SELF ALIGNING NUT		02
14G	0521010380	PROTECTIVE COVER		02
14H	0503010691	1/4" GREASE FITTING		02
15	0503030551	DEPTH CONTROL WHEEL RUBBER BAND		01
16	0501019017			04
17	0503010358	5/16" X 5/8" BOLT		08
18	0503010179	5/16" ZN SPRING WASHER		08
19	0503010337	5/16" NUT		08
20	0503010298	1/4" X 1/2" BOLT		05
21	0503010143	1/4" SPRING WASHER		05
22	0503010144	1/4" NUT		05

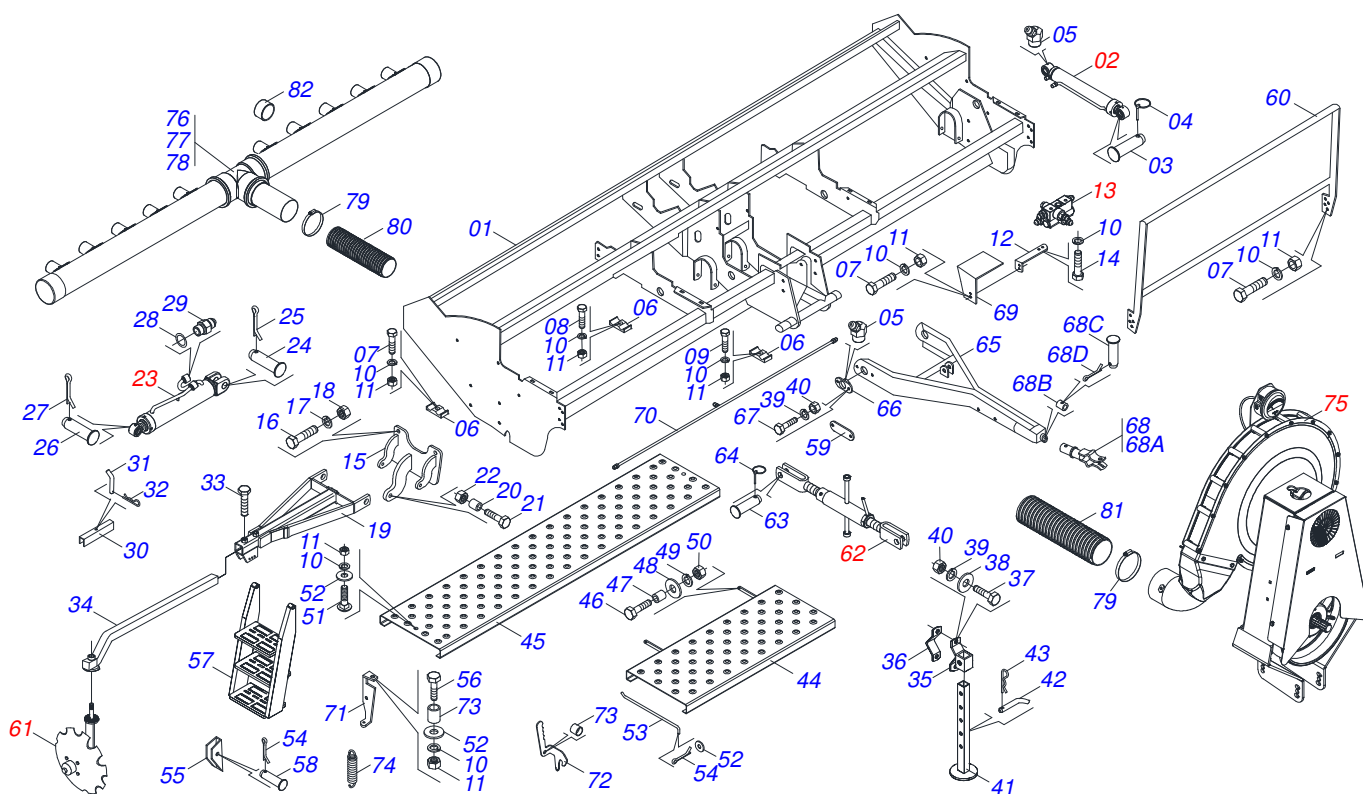


Item	Code	Description	See page	QT
01	0501052908	COMPACTOR WHEEL WITH BEARING		02
02	0502011757	PRESS REGULATOR		01
03	0521014508	FLAT WASHER		10
04	0503010384	1/2" X 5" BOLT		02
05	0503011336	1/2" HEX SELF ADJUSTING NUT		02
06	0501069378			01
07	0503010849	3/8" X 1-1/2" BOLT		02
08	0503011443	3/8" SPRING WASHER		02
09	0503010026	3/8" NUT		02
10	0521011222			01
11	0521011677	COUPLING SHAFT		01
12	0503010257	1/8" X 1" COTTERPIN		01
13	0503030805	1.6" X 6" X 0.2" TRACTION SPRING		01
14	0521010724	0.5" X 0.7" X 1.9" SLEEVE		01
15	0503010479	1/2" X 3" BOLT		01
16	0503010019	1/2" SPRING WASHER		01
17	0503010060	1/2" NUT		01





Item	Code	Description	See page	QT
01	0521019178	COVER DEPTH		02
02	0503030757	2.9" X 2" X 0.02" JOINT		02
03	0503030282	3/4" CASTLE NUT		02
04	0503010140	1/8" X 3/4" COTTERPIN		02
05	0503010598	30204 BALL BEARING		04
06	0503011112	SEAL 02376-BRG		02
07	0511011927	DUST CLOAK		02
08	0521017655	LEFT DDD HUB AXLE		01
09	0521017654	RIGHT DDD HUB AXLE		01
10	0511015098	FLAT WASHER		02
11	0502011275	DOBLE DISC BOX		02
12	0503013815	1/4" X 5/8" BOLT		06
13	0503011441	SPRING WASHER		06
14	0603022042	13" X 0.12" PLAIN COULTER BLADE		02
15	0503010546	5/16" X 7/8" BOLT		12
16	0503010337	5/16" NUT		12
17	0501017542	LH DOUBLE DISC SCRAPER		01
18	0501017541	RH DOUBLE DISC SCRAPER		01
19	0503010751	C3/8" X 1.1/4" HEX BOLT G.5		01
20	0501010984	FLAT WASHER		02
21	0503011443	3/8" SPRING WASHER		01
22	0503010026	3/8" NUT		01
23	0503031348	SEED SOCKET		01
24	0502011246			01



Item	Code	Description	See page	07L	09L	11L
01	0511060050			01	00	00
01.	0511060037			00	01	00
01..	0511060038			00	00	01
02	0501048054	44,45 X 85,72 X 491 X 189 HYDRAULIC CYLINDER	4	02	02	02
03	0511011887	COUPLING SHAFT		04	04	04
04	0503030119	LOCK PIN		04	04	04
05	0503010003	1845 GREASE FITTING		06	06	06
06	0502010477	HOSE CLAMP		16	16	16
07	0503010751	C3/8" X 1.1/4" HEX BOLT G.5		08	08	08
08	0501018526	3/8" X 2" BOLT		02	02	02
09	0503011268	3/8" X 2-1/2" BOLT		02	02	02
10	0503010025	3/8" SPRING WASHER		36	36	36
11	0503010026	3/8" NUT		28	28	28
12	0521012302			01	01	01
13	0501044565	VDFS002 SEQUENCE VALVE	24	01	01	01
14	0503010256	3/8" X 3/4" BOLT		02	02	02
15	0511060051	ROW MARKER SUPPORT		02	02	02
16	0501010098	3/4" UNC BOLT		08	08	08
17	0503010023	3/4" SPRING WASHER		08	08	08
18	0503010014	3/4" NUT		08	08	08
19	0501069470	ROW MARKER ARM		02	02	02
20	0521010479	SLEEVE ARTICULATION		04	04	04
21	0503011399	M16 X 1,5 X 50 BOLT		04	04	04
22	0503011400	M16 X 0.6" NUT		04	04	04
23	0501043149	1.5" X 2.5" 19" X 8" HYDRAULIC CYLINDER	3	02	02	02
24	0521010574	C0.9" X 3.3" COUPLING SHAFT		02	02	02
25	0503010571	1/4" X 1.1/2" COTTERPIN		02	02	02
26	0511015779	1" X 4.2" AXLE		02	02	02
27	0503010523	1/4" X 2" COTTERPIN		02	02	02
28	0503010190	2-114 N 3006-9B O'RING		04	04	04
29	0501010617	3/4" NIPPLE		04	04	04
30	0511017592	11.8" X 1.6" TRANSPORT LOCK		02	02	02

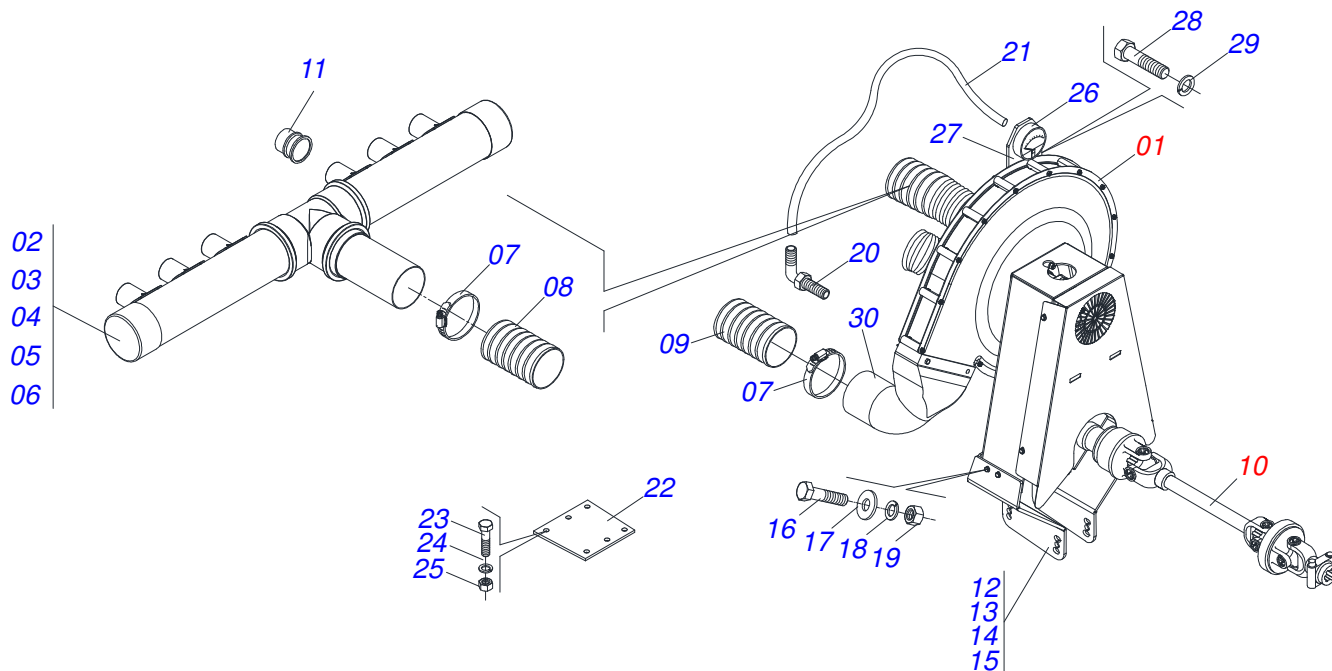
Item	Code	Description	See page	07L	09L	11L
31	0501068994	0.3" X 3.1" LOCK PIN		02	02	02
32	0503030168	HAIR PIN		02	02	02
33	0501017322	5/8" X 1-1/4" BOLT		04	04	04
34	0521012902			02	02	02
35	0502011530	SUPPORT		02	02	02
36	0502010175	HITCH CLAMP		02	02	02
37	0501011543	5/8" X 4" BOLT		04	04	04
38	0501012140	FLAT WASHER		04	04	04
39	0503010027	5/8" SPRING WASHER		08	08	08
40	0503010013	5/8" NUT		08	08	08
41	0501062681			02	02	02
42	0501011075	PIN		02	02	02
43	0503030012	HAIR PIN		02	02	02
44	0521014293			02	00	00
44.	0511060192			00	01	00
44..	0511060190			00	00	01
45	0501069781			01	00	00
45.	0521013554			00	02	00
45..	0521013750			00	00	02
46	0503010395	1/2" X 1-1/4" BOLT		02	02	02
47	0521010445	0.53" X 0.75" X 0.45" SLEEVE		02	02	02
48	0511017302	FLAT WASHER		02	02	02
49	0503010019	1/2" SPRING WASHER		02	02	02
50	0503010060	1/2" NUT		02	02	02
51	0501011643	3/8 X 1" BOLT		04	04	04
52	0501010984	FLAT WASHER		10	10	10
53	0521013521			01	01	01
53.	0521013519	LOCK LEFT PLATFORM		01	01	01
54	0503010257	1/8" X 1" COTTERPIN		06	06	06
55	0521013537			04	04	04
56	0503011088	3/8" X 1-1/4" BOLT		08	08	08
57	0511060065			02	02	02
58	0521010542	COUPLING SHAFT		06	06	06
59	0521013867	DRAWBAR TRANSPORT LOCK		01	01	01
60	0511060057			02	00	00
60.	0511060058			00	02	00
60..	0511060059			00	00	02
61	0501050647	ROW MARKER DISC ASSY		02	02	02
62	0501051901	HEADER EXTENSOR		01	01	01
63	0521010575	C0.9" X 3.3" COUPLING SHAFT		02	02	02
64	0503030085	LOCK PIN		02	02	02
65	0501069442			01	01	01
66	0501069444			02	02	02
67	0503010232	5/8" X 1.3/4" BOLT		04	04	04
68	0501051984	TRACTOR HITCH ASSY		01	01	01
68A	0501069266	TRACTOR HITCH		01	01	01
68B	0521010681	BUSHING COUPLING BODY		01	01	01
68C	0521010639	COUPLING SHAFT		01	01	01
68D	0503010571	1/4" X 1.1/2 COTTERPIN		01	01	01
69	0521013866			01	01	01
70-1	0501069206	OIL CONDUCTOR		02	00	00
70-2	0501069759			02	00	00
70-3	0501069760			02	00	00
70-4	0501069209			00	02	00
70-5	0511060226			00	02	00
70-6	0501069758			00	02	00
70-7	0501069723	OIL CONDUCTOR		00	00	02
70-8	0511060225			00	00	02
70-9	0501069774			00	00	02
71	0521014296			01	01	01



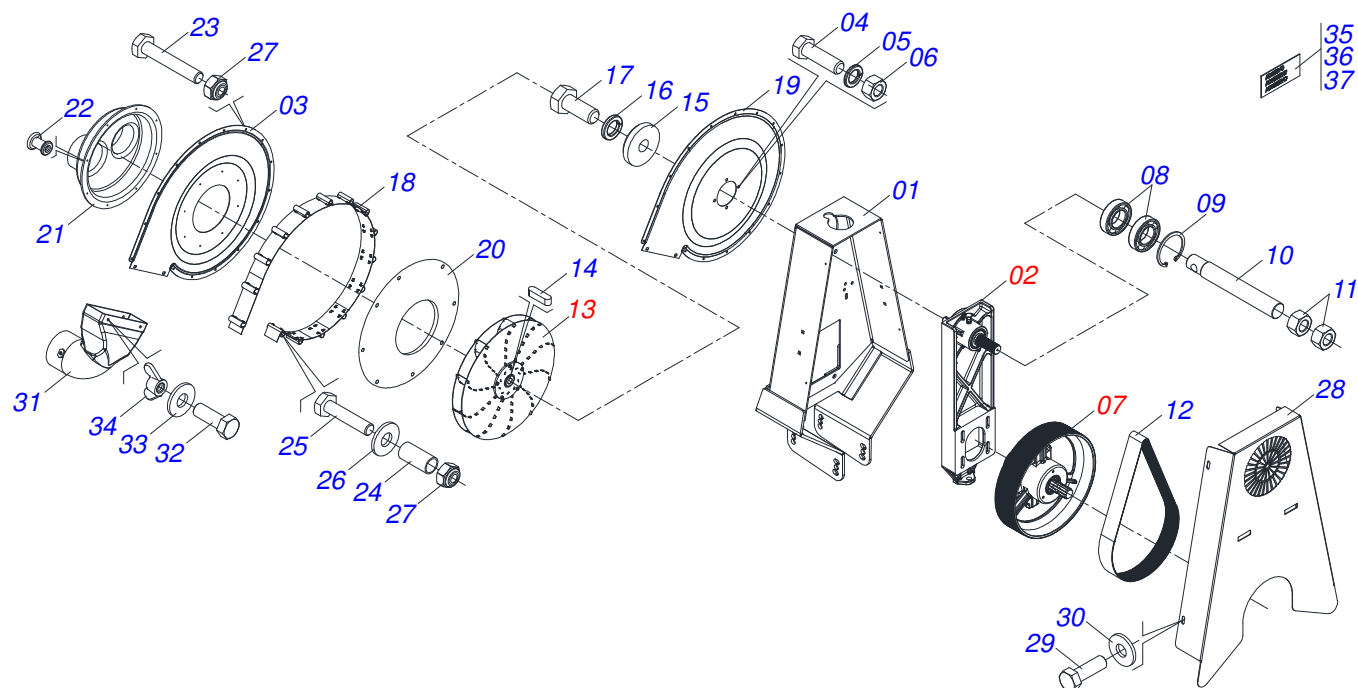
## FRAME ACTIVA 07/09/11 SUPREMA

0909098793

Item	Code	Description	See page	07L	09L	11L
71.	0521014301			01	01	01
72	0521014295			01	01	01
72.	0521014302			01	01	01
73	0521014297			02	02	02
74	0503030418	TRACTION SPRING		01	01	01
75	0501051812	TURBINE CARDAN ASSY	21	01	01	01
76	0503031412	AIR DISTRIBUTOR		01	00	00
77	0503031401	AIR DISTRIBUTOR 9 ROW		00	01	00
78	0503031413	AIR DISTRIBUTOR 11 ROW		00	00	01
79	0503011372	102 TO 121 CLAMP		03	03	03
80	0521012936	4" X 78.74" AIR CONDUCTOR		01	01	01
81	0521013962	AIR CONDUCTOR		01	01	01
82	0503011422			05	05	05



Item	Code	Description	See page	7A11 - 13/15
001	0501051812	TURBINE CARDAN ASSY	21	01 00
001.	0501052235			00 01
002	0503031412	AIR DISTRIBUTOR		01 00
003	0503031401	AIR DISTRIBUTOR 9 ROW		01 00
004	0503031413	AIR DISTRIBUTOR 11 ROW		01 00
005	0503031355	AIR DISTRIBUTOR 13 ROW		00 01
006	0503031354	AIR DISTRIBUTOR 15 ROW		00 01
007	0503011372	102 TO 121 CLAMP		03 03
008	0521012936	4" X 78.74" AIR CONDUCTOR		01 01
009	0521013962	AIR CONDUCTOR		01 01
010	0501044965	DRIVE SHAFT		01 01
011	0503011422			05 05
012	0501069572			01 01
013	0501069573			01 01
014	0511060254			01 01
015	0511060255			01 01
016	0501010080	3/8" BOLT		08 08
017	0501010984	FLAT WASHER		04 04
018	0503010025	3/8" SPRING WASHER		08 08
019	0503010026	3/8" NUT		08 08
020	0503011816			01 01
021	0511018116			01 01
022	0521014414	FIXER SUPPORT TURBINE		01 01
023	0501013867	5/8" X 6" BOLT		02 02
024	0503010027	5/8" SPRING WASHER		02 02
025	0503010013	5/8" NUT		02 02
026	0503011425	VACUUM GAUGE		01 01
027	0501067282			01 01
028	0503014472	M8X1,25X20 CS 8.8 1K19780 ZN BOLT		01 01
029	0503010143	1/4" SPRING WASHER		12 12
030	0501110233	TURBINE OUTPUT SOCKET		01 01



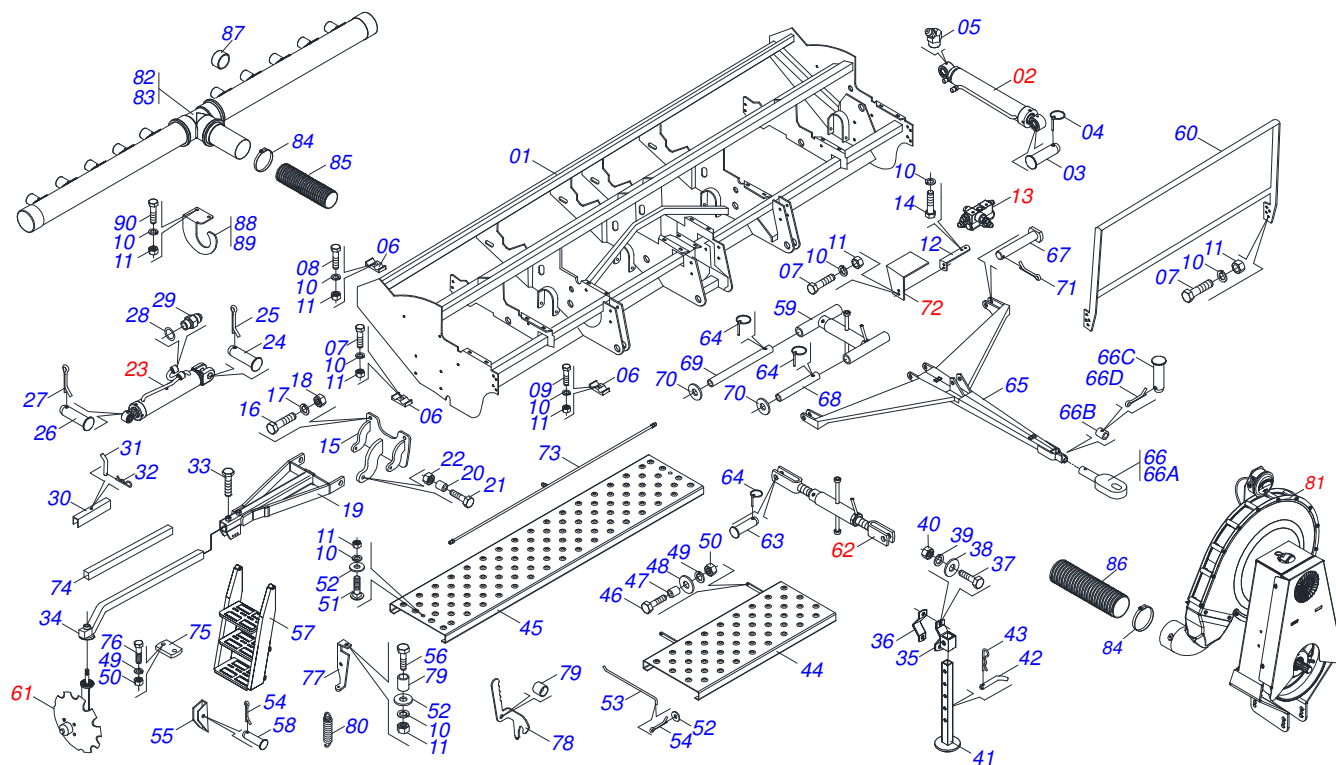
Item	Code	Description	See page	QT
01	0511062384			01
02	0501052789			01
03	0521018282	REAR COVER BODY		01
04	0503010751	C3/8" X 1.1/4" HEX BOLT G.5		04
05	0503010025	3/8" SPRING WASHER		04
06	0503010026	3/8" NUT		04
07	0501053285			01
08	0503012654			02
09	0503010707	501030 CLAMPING RING (FOR AXLE)		01
10	0501013491	5/8" TENSIONER SPRING		01
11	0503010013	5/8" NUT		02
12	0503011727			01
13	0501055044			01
14	0503011775	6 X 6 X 35 KEYWAY		01
15	0503011774	PULLEY		01
16	0503010179	5/16" ZN SPRING WASHER		01
17	0503011257	M 8 X 1,25 X 30 BOLT		01
18	0501053721	RIBBON ASSY FOR COVER CLOSING		01
19	0521018281	FRONTAL COVER BODY		01
20	0531010210			01
21	0503031649	CONECTOR CENTER		01
22	0503012722	0.16" X 0.4" BLIND RIVET		16
23	0503012720	1/4" X 3" BOLT		15
24	0511014024	10 X 13 X 15,5 SLEEVE		02
25	0503012721	1/4" X 4" BOLT		02
26	0511017303	FLAT WASHER		02
27	0503012880	1/4" UNC SELF ADJUSTING NUT		17
28	0521018020	REAR COVER PROTECTION TURBINE		01
29	0503013758	1/4" X 1-1/2" BOLT		04
30	0511017303	FLAT WASHER		04
31	0501110233	TURBINE OUTPUT SOCKET		01
32	0503010848	5/16" X 3.1/2" BOLT		02



## TURBINE CARDAN ASSY

0501051812

Item	Code	Description	See page	QT
33	0501010694	8.5 X 18 X 1.5 FLAT WASHER		02
34	0503010499	5/16" UNC BUTTERFLY NUT		02
35	0503031426	ETIQ ADES ATENCAO TURBINA		01
36	0503031427	ADHESIVE LABEL		01
37	0503031586			01

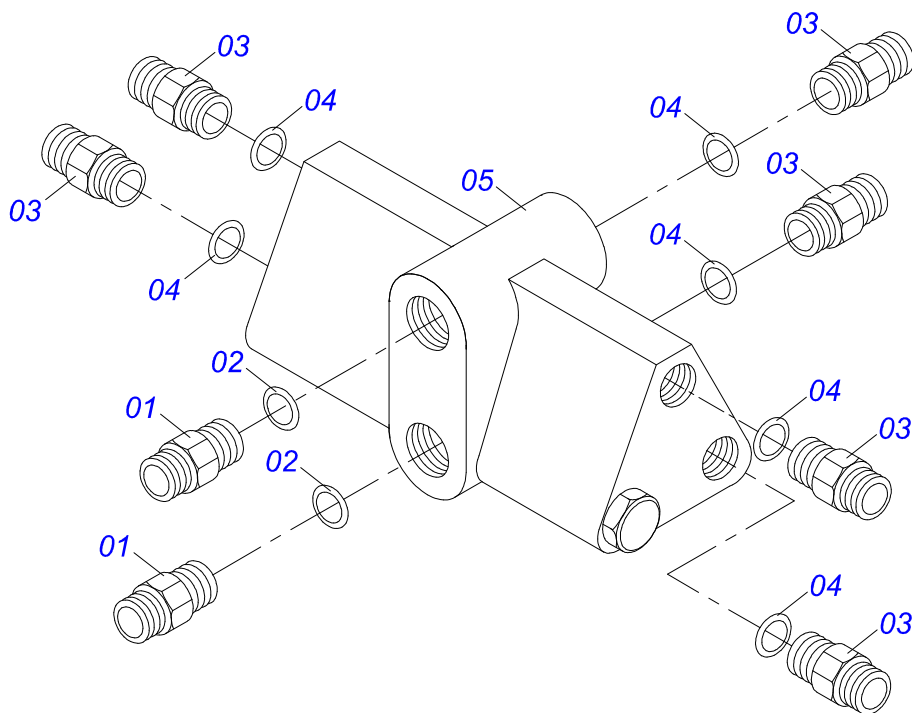


Item	Code	Description	See page	13 L	15 L
01	0511060039			01	00
01.	0511060040			00	01
02	0501048056	50,80 X 114,3 X 491 X 189 HYDRAULIC CYLINDER	25	01	01
03	0511011887	COUPLING SHAFT		04	04
04	0503030119	LOCK PIN		04	04
05	0503010003	1845 GREASE FITTING		04	04
06	0502010477	HOSE CLAMP		16	16
07	0503010751	C3/8" X 1.1/4" HEX BOLT G.5		06	06
08	0501018526	3/8" X 2" BOLT		02	02
09	0503011268	3/8" X 2-1/2" BOLT		04	04
10	0503010025	3/8" SPRING WASHER		22	22
11	0503010026	3/8" NUT		14	14
12	0521012302			01	01
13	0501044565	VDFS002 SEQUENCE VALVE	24	01	01
14	0503010256	3/8" X 3/4" BOLT		02	02
15	0511060051	ROW MARKER SUPPORT		02	02
16	0501010098	3/4" UNC BOLT		08	08
17	0503010023	3/4" SPRING WASHER		08	08
18	0503010014	3/4" NUT		08	08
19	0501069470	ROW MARKER ARM		02	02
20	0521010479	SLEEVE ARTICULATION		04	04
21	0503011399	M16 X 1,5 X 50 BOLT		04	04
22	0503011400	M16 X 0.6" NUT		04	04
23	0501043149	1.5" X 2.5" 19" X 8" HYDRAULIC CYLINDER	3	02	02
24	0521010574	C0.9" X 3.3" COUPLING SHAFT		02	02
25	0503010571	1/4" X 1.1/2" COTTERPIN		02	02
26	0511015779	1" X 4.2" AXLE		02	02
27	0503010523	1/4" X 2" COTTERPIN		02	02
28	0503010190	2-114 N 3006-9B O'RING		04	04
29	0501010617	3/4" NIPPLE		04	04
30	0511017592	11.8" X 1.6" TRANSPORT LOCK		02	02
31	0501068994	0.3" X 3.1" LOCK PIN		02	02

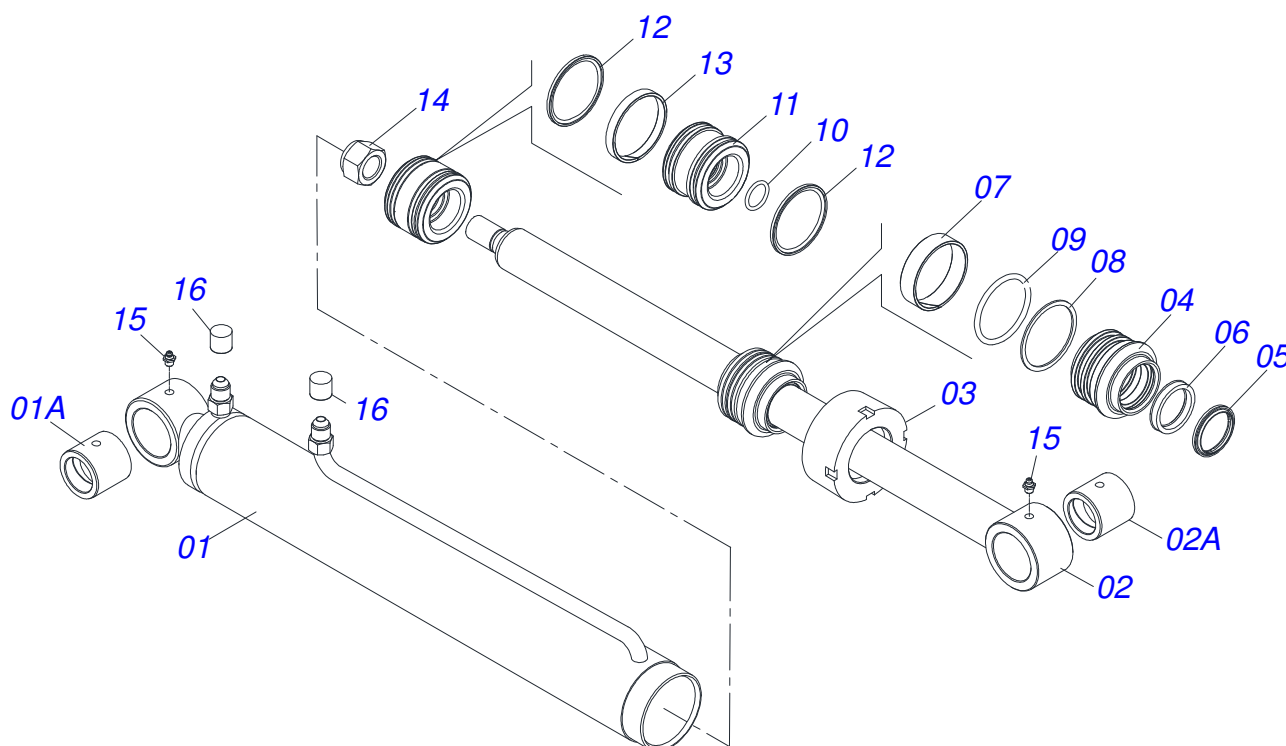


Item	Code	Description	See page	13	L	15	L
32	0503030168	HAIR PIN		02	02		
33	0501017322	5/8" X 1-1/4" BOLT		04	04		
34	0501066949	1235 TURNBUCKLE		02	02		
34.	0501069643	890 TURNBUCKLE		02	02		
35	0502011530	SUPPORT		02	02		
36	0502010175	HITCH CLAMP		02	02		
37	0501011543	5/8" X 4" BOLT		04	04		
38	0501012140	FLAT WASHER		04	04		
39	0503010027	5/8" SPRING WASHER		04	04		
40	0503010013	5/8" NUT		04	04		
41	0501062681			02	02		
42	0501011075	PIN		02	02		
43	0503030012	HAIR PIN		02	02		
44	0521013669			01	00		
44.	0521013556			00	01		
45	0511060109			01	00		
45.	0511060110			01	00		
45..	0511060095			00	01		
45...	0511060096			00	01		
46	0503010395	1/2" X 1-1/4" BOLT		04	04		
47	0521010445	0.53" X 0.75" X 0.45" SLEEVE		04	04		
48	0511017302	FLAT WASHER		04	04		
49	0503010019	1/2" SPRING WASHER		10	10		
50	0503010060	1/2" NUT		10	10		
51	0501011643	3/8 X 1" BOLT		04	04		
52	0501010984	FLAT WASHER		10	10		
53	0521013521			01	01		
54	0503010257	1/8" X 1" COTTERPIN		10	10		
55	0521013537			04	04		
56	0503011088	3/8" X 1-1/4" BOLT		10	10		
57	0511060065			02	02		
58	0521010542	COUPLING SHAFT		04	04		
59	0501048476	HEADER EXTENSOR 245		01	01		
60	0511060060			02	00		
60.	0511060061			00	02		
61	0501050647	ROW MARKER DISC ASSY		02	02		
62	0501051918	HEADER EXTENSOR	25	01	01		
63	0521012538	1.2" X 3.5" COUPLING SHAFT		02	02		
64	0503030085	LOCK PIN		06	06		
65	0501069725			01	00		
65.	0501069525			00	01		
66	0501051160	TRACTOR HITCH PIN		01	01		
66A	0501068181	HITCH TURNER		01	01		
66B	0521010681	BUSHING COUPLING BODY		01	01		
66C	0521010639	COUPLING SHAFT		01	01		
66D	0503010571	1/4" X 1.1/2 COTTERPIN		01	01		
67	0521010644	1.5" X 8.4" COUPLING SHAFT		02	02		
68	0521013581			01	01		
69	0521013580			01	01		
70	0501012916	FLAT WASHER 38,50 X 66 X 4,75 ZN		04	04		
71	0503010534	3/8 X 2-1/2 COTTERPIN		01	01		
72	0521013866			01	01		
73	0501069726			02	00		
73.	0501069727	OIL CONDUCTOR		00	02		
73..	0511060088	OIL CONDUCTOR		02	00		
73...	0511060090			00	02		
73....	0511060089			02	00		
73.....	0511060091			00	02		
74	0521013164	PROTRACTOR TURNBUCKLE		02	02		
75	0501011310	FIXER LOCK		08	08		

Item	Code	Description	See page	13 L	15 L
76	0503010706	1/2" X 4.1/2" BOLT		08	08
77	0521014296			01	01
77.	0521014301			01	01
78	0521014295			01	01
78.	0521014302			01	01
79	0521014297			02	02
80	0503030418	TRACTION SPRING		02	02
81	0501051812	TURBINE CARDAN ASSY	21	01	01
82	0503031355	AIR DISTRIBUTOR 13 ROW		01	01
83	0503031354	AIR DISTRIBUTOR 15 ROW		01	01
84	0503011372	102 TO 121 CLAMP		03	03
85	0521012936	4" X 78.74" AIR CONDUCTOR		01	01
86	0521013962	AIR CONDUCTOR		01	01
87	0503011422			05	05
88	0521018579	RIGHT SUPPORT CODUCTOR AIR		01	01
89	0521018580	LEFT SUPPORT CODUCTOR AIR		01	01
90	0501010096	3/8" X 2" BOLT		04	04



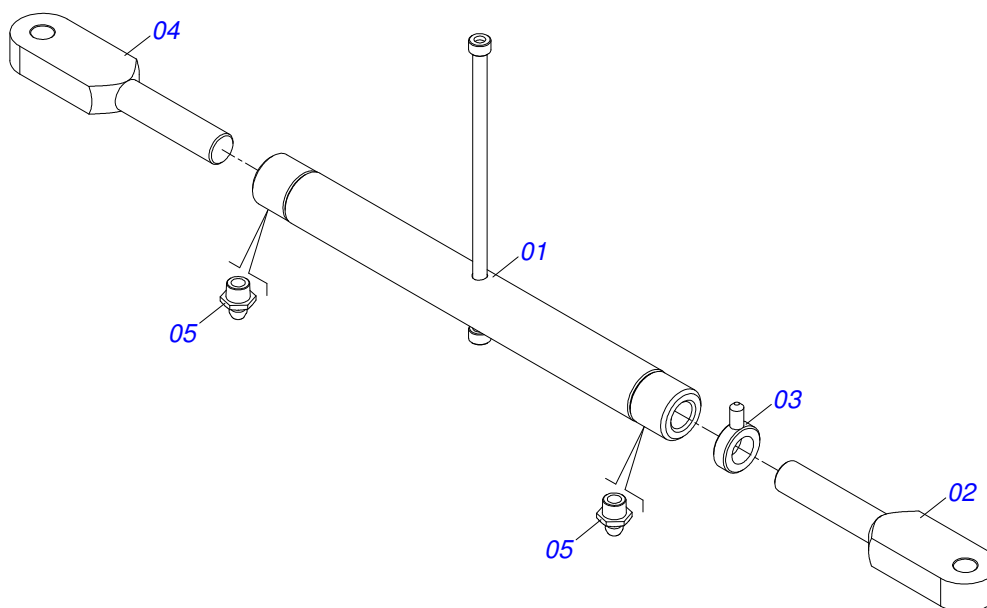
Item	Code	Description	See page	QT
01	0501010617	3/4" NIPPLE		02
02	0503010190	2-114 N 3006-9B O'RING		02
03	0501012109	3/4" X 9/16" NIPPLE		06
04	0503011036	2-111 N 3006-9B O'RING		06
05	0503060132	VDFS-002 T SEQUENCCEL VALVE		01



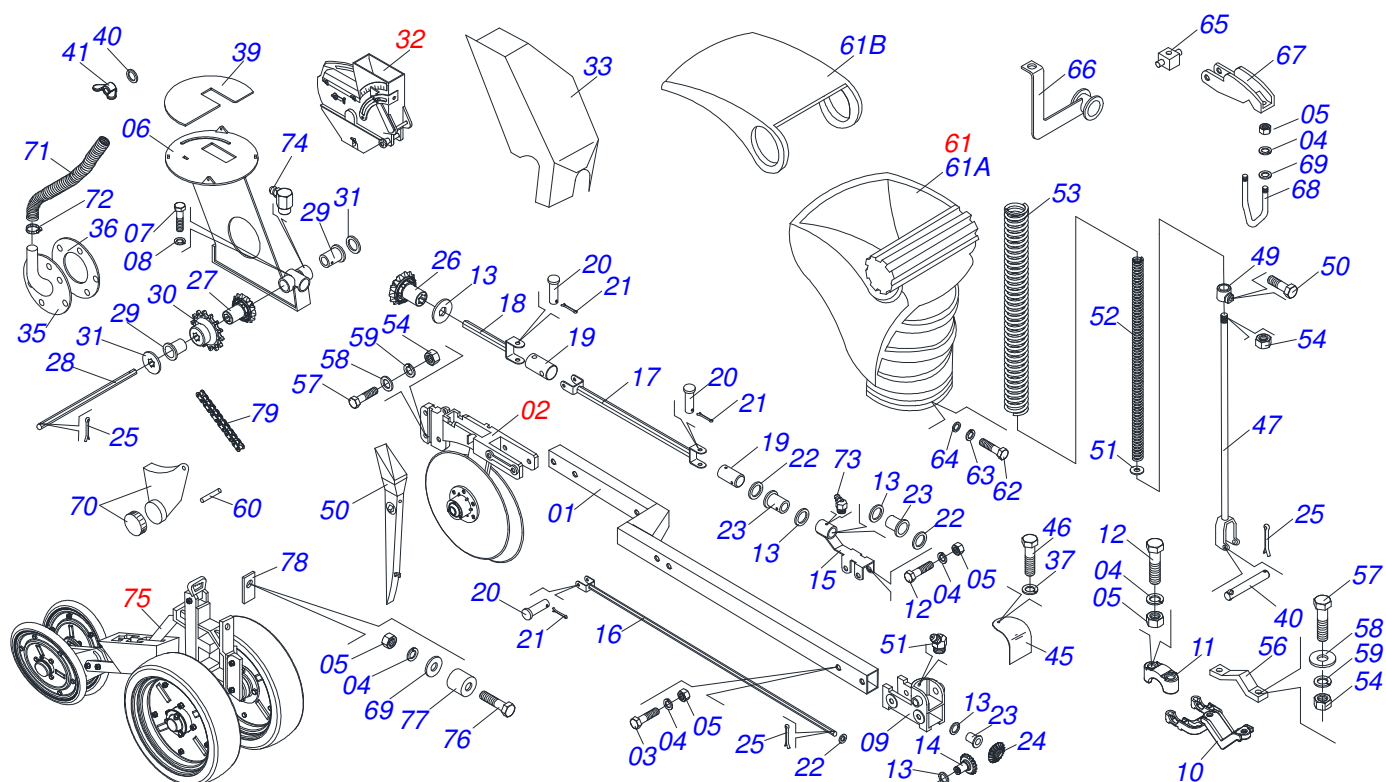
Item	Code	Description	See page	QT
001	0501069441			01
002	0501069440			01
003	0502011222	0.56" END CAP		01
004	0502011220	2" X 4.5" RING SUPPORT		01
005	0503010039	D-2000 SCRAPER RING		01
006	0503010991	1870-2000-375-B GASKET		01
007	0503010952	W2-2250-500 RING		01
008	0503011893	BACK-UP RING, 8-346		01
009	0503011892	O' RING, 2-346 N 3006-9B		01
010	0503010345	2-218 N 3006-9B O'RING		01
011	0502011221	2.0" X 4.5" PISTON		01
012	0503011890	3750-3750 GASKET		02
013	0503011891	W2-4500-500 RING G.E		01
014	0503010817	1.1/4" SELF LOCKING NUT		01
015	0503010002	1800 GREASE FITTING		02
016	0503030385	CYLINDER PLUG N-002		02

### HEADER EXTENSOR

0501051918



Item	Code	Description	See page	QT
01	0501069529	653 TURNBUCKLE		01
02	0521012235			01
03	0501061056	RH LOCKNUT WITH HANDLER		01
04	0521012236			01
05	0503010002	1800 GREASE FITTING		02

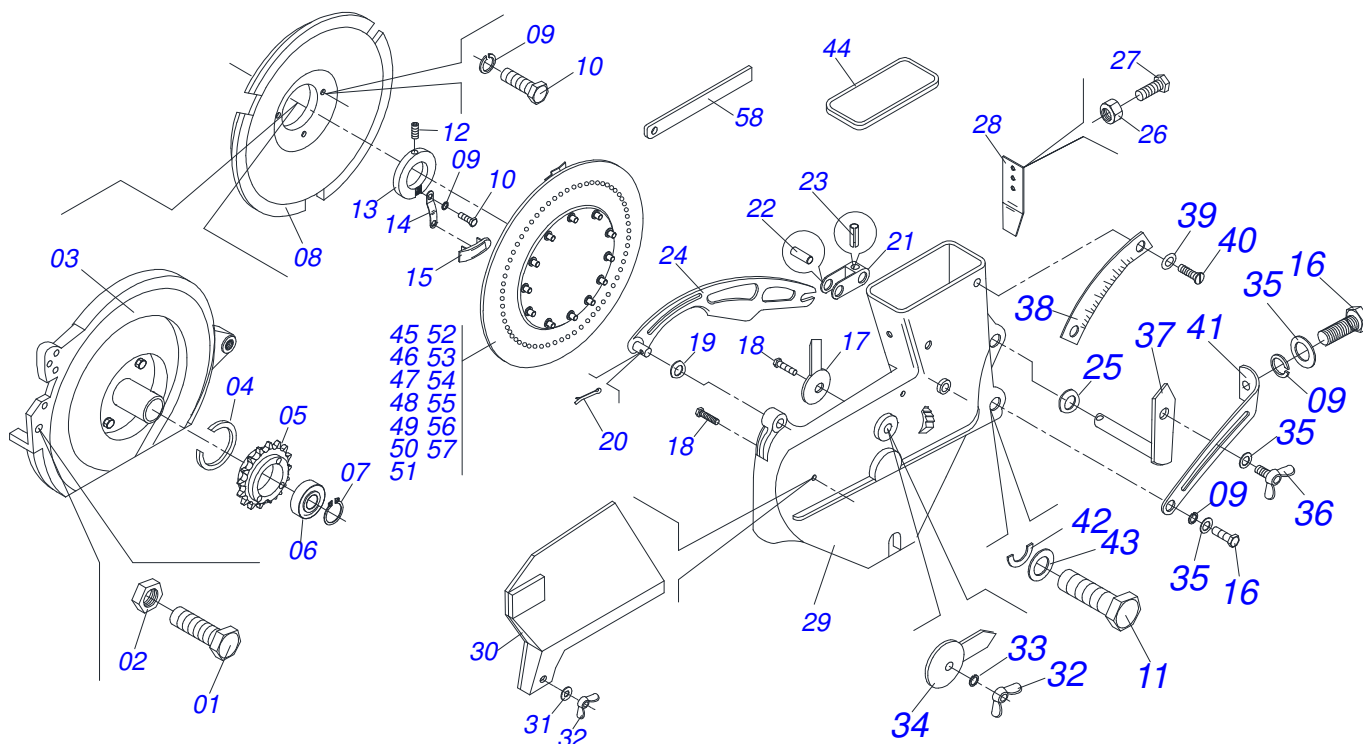


Item	Code	Description	See page	CT LG
00	0501051913	RIGHT SHORT SEED ROW		01 00
00A	0501051914	LEFT SHORT SEED ROW		01 00
00B	0501051915	LEFT LONG SEED ROW		00 01
00C	0501051916	LEFTH LONG SEED ROW		00 01
01	0511060064	SEED ROW ARM MINOR		01 04
01.	0511060063	ARM LARGER SEED ROW		00 01
02	0501051863	15" X 15" DOUBLE DISC RIGHT ASSY	18	01 00
02.	0501051864	15" X 15" DOUBLE DISC LEFT ASSY		00 01
03	0503010547	1/2" X 4" BOLT		07 07
04	0503010019	1/2" SPRING WASHER		12 12
05	0503010060	1/2" NUT		12 12
06	0501069501	SEED DISC SUPPORT		01 01
07	0503010740	1/2" X 2" BOLT		02 02
08	0503011336	1/2" HEX SELF ADJUSTING NUT		02 02
09	0502011243	ARTICULATOR SUPPORT		01 01
10	0502011242	LOWER BEARING SEMI		01 01
11	0502010426	UPPER BEARING SEMI		02 02
12	0503010479	1/2" X 3" BOLT		06 06
13	0501013354	FLAT WASHER		07 07
14	0502011400	18Z CONICAL GEAR		01 01
15	0511060284	BEARING AXLE SEED ROW MINOR		01 00
15.	0511060099	BEARING AXLE SEED LARGER		00 01
16	0511060069	EXLE FRONT MINOR SEED ROW		01 01
16.	0511060070	FRONT AXLE MINOR SEED ROW		01 00
17	0511060129	INTERMEDIATE AXLE		01 01
18	0511060131	REAR AXLE SEED ROW		01 01
19	0521011664	COUPLING AXLE		04 04
20	0521011677	COUPLING SHAFT		01 01
21	0503010140	1/8" X 3/4" COTTERPIN		04 04
22	0521011859	FLAT WASHER		03 03
23	0502011460	CONIC PINION SLEVE		02 02

SEED ROW PST ACTIVA SUPREMA S-0199

0909098771

Item	Code	Description	See page	CT LG
24	0502011461	CONIC GEAR 18Z		01 01
25	0503010257	1/8" X 1" COTTERPIN		04 04
26	0502010897	PINION CONIC 18Z		01 01
27	0502010418	PINION AXLE 18Z		01 01
28	0521012845	1/2 X 210 AXLE HEX		01 01
29	0502010446	1/2" HEX AXLE BEARING BUSHING		02 02
30	0501067068	GEAR 12Z P 1/2		01 01
31	0501013352	FLAT WASHER		02 02
32	0503011368	DISTRIBUTOR SEED	27	01 01
33	0521014327	PROTECTION DISTRIBUTOR SEED		01 01
34	0503010428	M12 X 1,75 X30 BOLT		03 03
35	0501067067	TUBE		01 01
36	0503030961	4.6" X 3.3" X 0.03" JOINT		01 01
37	0503010143	1/4" SPRING WASHER		03 03
38	0503011378	M6X1X16 C S 8.8 ZN BOLT		03 03
39	0501069519	COVER CONDUCTOR SEED		01 01
40	0501011517	FLAT WASHER		02 02
41	0503010209	3/8" UNC BUTTERFLY NUT		01 01
42	0503010237	3/8" X 1" BOLT		01 01
43	0521012299	FLAT WASHER		01 01
44	0503010026	3/8" NUT		01 01
45	0521011478	COVER HEADER SEED ROW		01 01
46	0503010298	1/4" X 1/2" BOLT		02 02
47	0511060173	SPRING REGULATOR		01 01
48	0521011494	SEED SPRING GUIDE FIXER AXLE		01 01
49	0502040725	SPRING BUSHING LOCK GUIDE		02 02
50	0503010834	1/2 X 1 BOLT		02 02
51	0501011090	FLAT WASHER		01 01
52	0503031359	1"X15.75"X0.15" COMPRESSION SPRING		01 01
53	0503031360	1.68"X17.75"X0.3" COMPRESS SPRING		01 01
54	0503010013	5/8" NUT		03 03
55	0501069851	CONDUCTOR SEED		01 01
56	0502010175	HITCH CLAMP		01 01
57	0501011543	5/8" X 4" BOLT		02 02
58	0501012140	FLAT WASHER		02 02
59	0503010027	5/8" SPRING WASHER		02 02
60	0503011855	0.2" X 1.8" SPRING PIN		01 01
61	0503031343	SEED BEAM GREEN		01 01
62	0503010178	5/16" X 7/8" BOLT		04 04
63	0501010694	8.5 X 18 X 1.5 FLAT WASHER		04 04
64	0503010179	5/16" ZN SPRING WASHER		04 04
65	0502011668	SUPPORT ADJUSTING SPRING		01 01
66	0501069534	AIR CONDUCTIVE SUPPORT		01 01
67	0502011538	SPRING GUIDE		02 02
68	0521011771	1/2" X 4.02" X 4.41" FASTENER		01 01
69	0511017302	FLAT WASHER		03 03
70	0503060172	SEED DRAINER		01 01
71	0521013003	AIR CONDUCTOR		01 01
72	0503010184	CLAMP		02 02
73	0503010003	1845 GREASE FITTING		03 03
74	0503010004	1890 GREASE FITTING		03 03
75	0501052050	SYSTEM WHEELS CONTROL	15	01 01
76	0503010740	1/2" X 2" BOLT		03 03
77	0521010505	13,50 X 19,00 X 21,50 SLEEVE		01 01
78	0521013425	PLATE		01
79	0503011371	CHAIN TR-081 X 1.8" LINK + MENDING		01 01



Item	Code	Description	See page	QT
01	0503011294	M 8 X 1,25 X 20 BOLT		01
02	0503010427	METRIC M8 X P.0.5" NUT		01
03	0502050029	MINOR SIDE		01
04	0503011770	SEAL # V-75 A		01
05	0501067722	26Z GEAR WITH BUSHING		01
06	0503011771	6008 2RS BALL BEARING		01
07	0503011772	DIN 471 O'RING		01
08	0502050028	DISC SUPPORT		01
09	0503010143	1/4" SPRING WASHER		04
10	0503011378	M6X1X16 C S 8.8 ZN BOLT		04
11	0503011809	M12 KNOB		01
12	0503011769	M8 X 0.5" BOLT		01
13	0511017229	1.6" X 2.5" X 0.7" BUSHING		01
14	0511017210	PNEUMATIC SWITCH SUPPORT		01
15	0503031060	PNEUMATIC SWITCH		01
16	0503011378	M6X1X16 C S 8.8 ZN BOLT		01
17	0503031057			01
18	0503011813	M6 X 1.2" BOLT		03
19	0503011820	CRINKLE WASHER		03
20	0503010140	1/8" X 3/4" COTTERPIN		01
21	0502020559	UPPER SELECTOR ACTUATOR		01
22	0503011822	0,2" X 0.5" SPRING PIN		02
23	0503011823	0.1" X 0.6" SPRING PIN		01
24	0503011817	UPPER SELECTOR		01
25	0503011821	CRINKLE WASHER		01
26	0503011776	M6 SELF ADJUSTINGNUT		01
27	0503011812	M6 X 1" BOLT		01
28	0511017186	SEED LEVEL REGULATOR		01
29	0503011808	LARGER SIDE		01
30	0503011811	PNEUMATIC SEED SYSTEM VISOR		01
31	0503011773	FLAT WASHER		01



**DISTRIBUTOR SEED**

0503011368

Item	Code	Description	See page	QT
32	0503012445	M6 C/ABA 1.20" BUTTERFLY NUT		02
33	0503011815	TOOTHED WASHER		01
34	0511016220	LOWER SELECTOR INDICATOR		01
35	0503011826	FLAT WASHER		03
36	0503011810	M6 X 1" BUTTERFLY BOLT		01
37	0501067818	SCALE INDICATOR WITH PIN		01
38	0503031058	UPPER SELECTOR SCALE		01
39	0503011840	FLAT WASHER		02
40	0503011825	M4 X 8" BOLT		02
41	0511017219	SCALE INDICATOR GUIDE		01
42	0503011827	504.100 CLAMPING RING (FOR HOLE)		01
43	0503011828	FLAT WASHER		01
44	0503031660	SEED DISTRIBUTOR RUBBER BACKING		01
45	0503011369	DISC 3250 MIDDLE CORN		04
46	0503011370	DISC 6440 MIDDLE SOYBEAN		08
47	0503011511	DISC 3245 OF THE SMALL CORN		04
48	0503011512	DISC 3255 LARGE CORN		04
49	0503011454	DISC 6445 LARGE SOYBEAN		08
50	0503011455	DISC 6450 LARGE SOYBEAN		08
51	0503011513	DISC 6430 SMALL SOYBEAN/COTTON		08
52	0503011437	DISC 6420 SORGHUM		06
53	0503011456	DISC 4820 SORGHUM		06
54	0503011391	DISC 3230 SUNFLOWER		04
55	0503011436	DISC 4845 MIDDLE BEAN		06
56	0503011392	DISC 4855 GREAT BEAN		06
57	0503011717	DISC 4835 DELINTED COTTON / BEAN		06
58	0511015627	SEED DISC LEVER		01





[www.marchesan.com.br](http://www.marchesan.com.br)



**Technical Publications | Elaboration and Revision**  
MARINA PEREZ NIZA