

ROW CROP PLANTERS

PDC PD

Code: 0501090592
Series: S-0304
Revision: 00
Date Revision: OUTUBRO/2004

PARTS CATALOGUE



MARCHESAN



PRODUCTS

Code	Description
0112050123	PDC PD 1252 S-0304
0112050125	PDC PD 1252 PNEUMATICA S-0304
0112050124	PDC PD 1452 S-0304
0112050126	PDC PD 1452 PNEUMATICA S-0304

ATTENTION: IMPORTANT

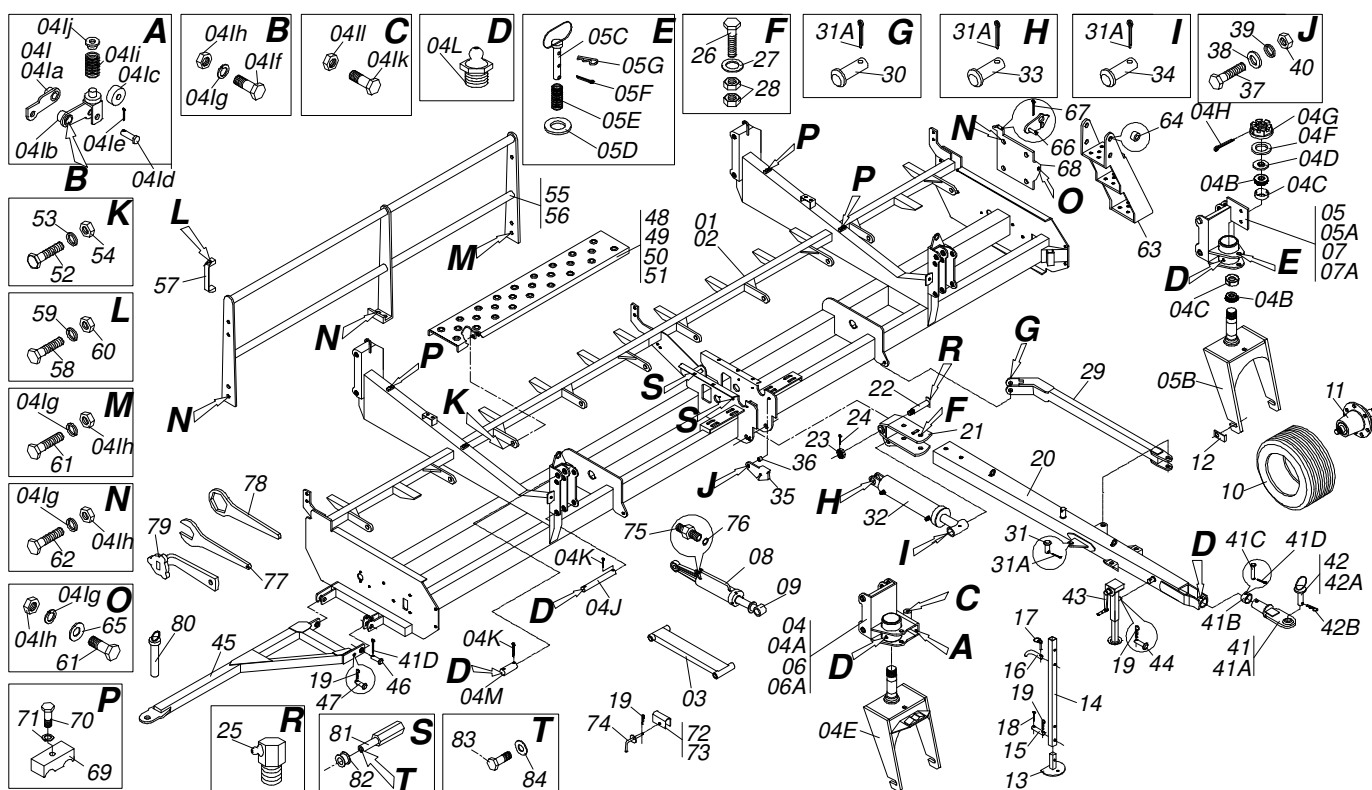
Marchesan S.A. reserves the right to improve and/or modify the technical features of its products, without obligation to do the same with those products already sold and without prior knowledge of the dealer or the consumer. The photos are only illustrative.



MARCHESAN

INDEX

0909091025	FRAME	1
0501048228	HYDRAULIC CYLINDER 44,45 X 85,7 X 665 X 203	2
0511043994	HYDRAULIC CYLINDER 53,98 X 101,6 X 662 X 206	3
0511042762	HYDRAULIC CYLINDER 38,10X63,50X515X193	4
0511042821	HYDRAULIC CYLINDER 44,45X85,7X686X203 BP	4
0501055280	STUB SHAFT & HUB ASSY	5
0511041259	DRAWBAR JACK ASSY	6
0909091119	SUPREMA FRAME	7
0501048229	HYDRAULIC CYLINDER 53,98 X 101,6 X 683 X 206	9
0511041364	DRIVE SHAFT	10
0909091054	TRANSMISSION	11
0501053987	TRANSMISSION HUB CARRYING-WHEELS	12
0909091055	FERTILIZER BOX	13
0511042864	BLADE DISC ASSY	14
0909091058	FERTILIZER ROW ASSY	15
0909091059	SEED ROW ASSY	16
0909091062	PRESS WHEELS ASSY	17
0909091121	SUPREMA SEED ROW ASSY	18
0909091135	15" DISC ASSY	19
0511042211	PNEUMATIC SEED DISTRIBUTOR	21
0909091052	ROW MARK	22
0909091053	HYDRAULIC CYLINDER	23
0501053840	ROW MARKER DISC	24
0909091134	CARDAN TURBINE	25
0909090992	HYDRAULIC CIRCUIT	26
0909093286	PRESS WHEEL DISC	26



Item	Code	Description	See page	QT
01	0511065508	49.29" PDC FRAME		01
02	0511065509	57.1" PDC FRAME		01
03	0501069217	CARRYNG-WHEELS PIVOT ARM		08
04	0501055447	CARRYING-WHEELS PIVOT		01
04A	0511065730	RIGHT CARRYING-WHEELS PIVOT		01
04B	0503010640	3984 CONE		08
04C	0503010641	3920 CAP		08
04D	0503010091	SEAL 00134-B		08
04E	0511065457	CARRYING-WHEELS FORK FRONT REAR		02
04F	0511015449	WASHER		04
04G	0502040080	FLANGE NUT R.2.1/2 UN		04
04H	0503010073	3/8 X 3-1/2 COTTERPIN		04
04I	0501046478	LOCK CARRYNG-WHEELS ASSAY		02
04Ia	0501067328	LOK PIVOT		02
04Ib	0501067329	LOK PIVOT W/ GUIDE		02
04Ic	0511016229	PULLEY		02
04Id	0511016227	COUPLING SHAFT		02
04Ie	0503010071	3/16" X 1" COTTERPIN		02
04If	0511016244	BOLT		04
04Ig	0503010019	1/2" SPRING WASHER		17
04Ih	0503010060	1/2" NUT		17
04Ii	0503031006	COMPRESSION SPRING		02
04Ij	0511016228	SPRING SUPPORT		02
04Ik	0501019274	5/8" X 2" BOLT		02
04Il	0503010013	5/8" NUT		02
04J	0541013059	11.92" X 1.5" AXLE		04
04K	0503010523	1/4" X 2" COTTERPIN		12
04L	0503010002	1800 GREASE FITTING		12
04M	0541013058	2.2" X 1.2" AXLE		04
05	0501055448	CARRYING-WHEELS PIVOT		01
05A	0511065731	LEFT CARRYING-WHEELS PIVOT		01

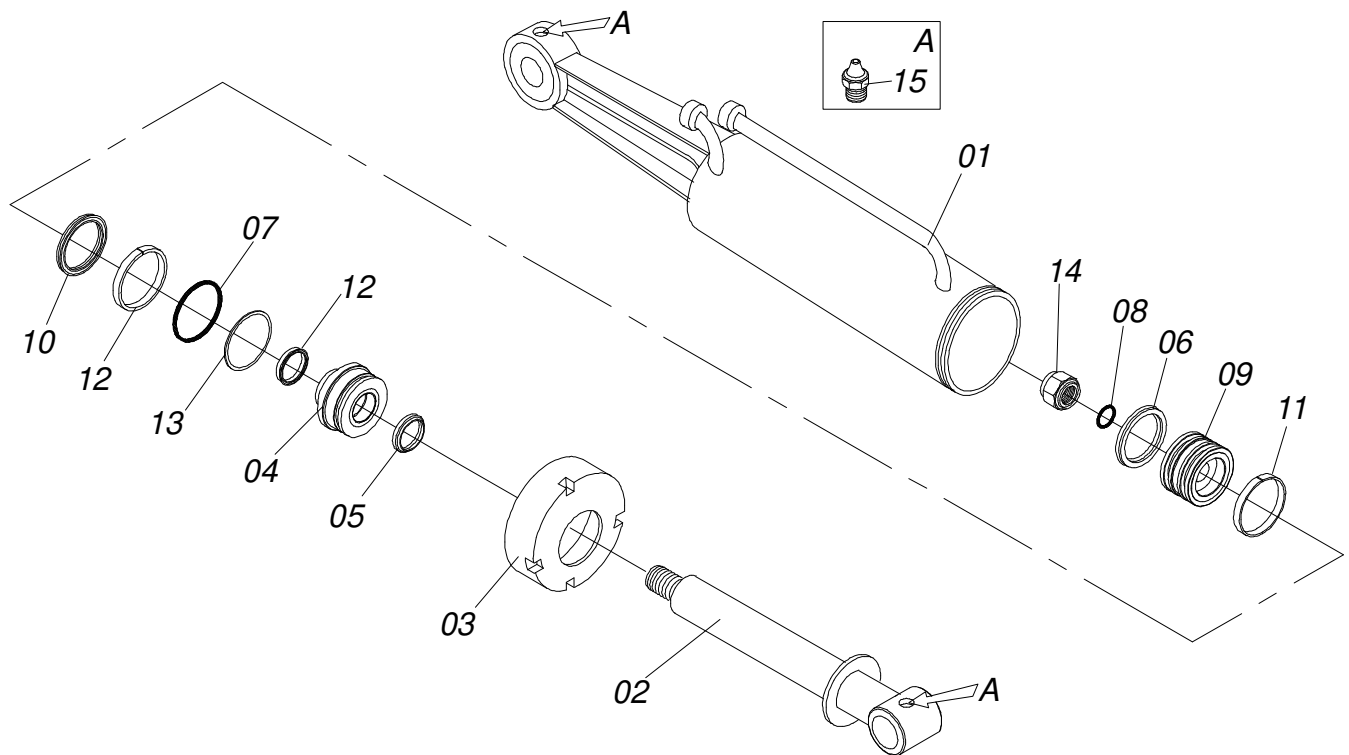


PDC PD
FRAME

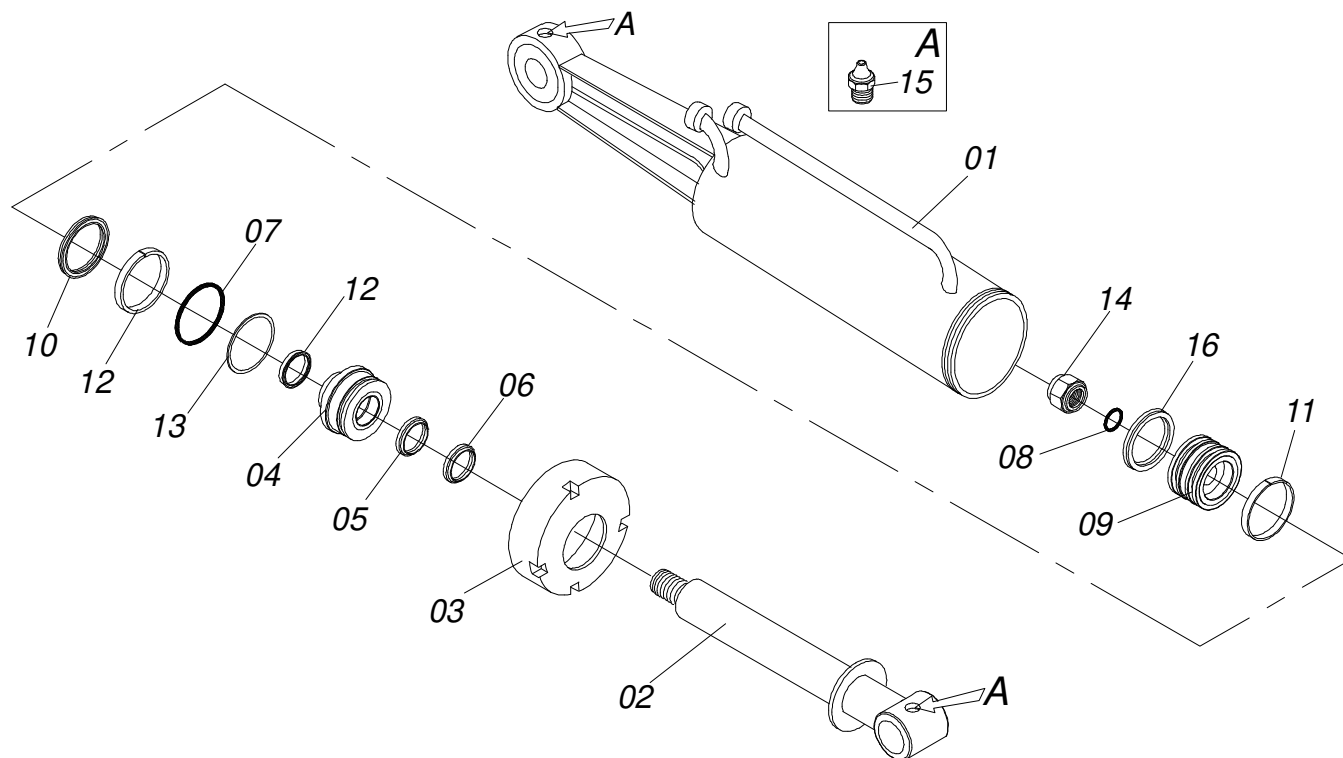
Item	Code	Description	See page	QT
05B	0511065456	LH CARRYING-WHEELS FORK FRONT REAR		02
05C	0501067034	CARRYNG-WHEELS LOCK		03
05D	0511015346	FLAT WASHER		03
05E	0503030978	COMPRES SPRING		03
05F	0503010018	5/32 X 1-1/2 COTTERPIN		03
05G	0503030012	HAIR PIN		03
06	0501055449	CARRYING-WHEELS PIVOT ASSY		01
06A	0511065732	RH REAR CARRYING-WHEELS PIVOT		01
07	0501055450	CARRYING-WHEELS PIVOT ASSY		01
07A	0511065733	LH REAR CARRYING-WHEELS		01
08	0501048228	HYDRAULIC CYLINDER 44,45 X 85,7 X 665 X 203	2	02
09	0511043994	HYDRAULIC CYLINDER 53,98 X 101,6 X 662 X 206	3	02
10	0511065454	0.5" X 0.6" WHEEL CENTER		04
11	0501055280	STUB SHAFT & HUB ASSY	5	04
12	0511014788	CARRYING WHEELS AXLE LOCK		08
13	0501069636	PLOUGH SUPPORT		04
14	0521012669	SQUARE TUBE		04
15	0521010790	COUPLING SHAFT		04
16	0501011075	PIN		04
17	0503030085	LOCK PIN		04
18	0503010131	3/16" X 1-1/2" COTTERPIN		04
19	0503030168	CUPILLA		10
20	0501069193	DRAWBAR ASSY		01
21	0511065703	DRAWBAR PIVOT		01
22	0521011009	PIVOT AXLE		01
23	0501011301	1.1/2 UNC 6FPP 2.5/16 NUT		01
24	0503010010	1/4" X 2.1/2" COTTERPIN		01
25	0503010004	1890 GREASE FITTING		01
26	0501014172	1" X 8" BOLT		02
27	0511016429	FLAT WASHER		04
28	0501010059	1.5/8 NUT		04
29	0511065705	FRENCH HAND HEADER DRAW TRACTION		02
30	0521010577	0.9" X 4.1" COUPLING SHAFT		02
31	0521010571	COUPLING SHAFT		02
31A	0503010571	1/4" X 1.1/2 COTTERPIN		06
32	0511042762	HYDRAULIC CYLINDER 38,10X63,50X515X193	4	01
33	0521010579	COUPLING SHAFT		01
34	0521010580	COUPLING SHAFT		01
35	0541013115	DRAWBAR CYLINDER LOCK		01
36	0541013180	0.33" X 0.64" X 1" BUSHING		01
37	0501010100	SCREW 5/8 UNC X 2 CS G.5 ZN		01
38	0501012140	FLAT WASHER		02
39	0503010027	5/8" SPRING WASHER		01
40	0503010013	5/8" NUT		01
41	0501053494	TRACTOR HITCH ASSY		01
41A	0511062245	TRACTOR HITCH ASSY		01
41B	0521010681	BUSHING COUPLING BODY		01
41C	0521010639	COUPLING SHAFT		01
41D	0503010571	1/4" X 1.1/2 COTTERPIN		03
42	0501047881	AXIS JOINT ASSY		01
42A	0501068989	COUPLING SHAFT		01
42B	0503031035	HAIR PIN		01
43	0511041259	DRAWBAR JACK ASSY	6	01
44	0521010549	COUPLING SHAFT		01
45	0511064862	TRANSP DRAWBAR		01
46	0511011887	COUPLING SHAFT		02
47	0521010556	COUPLING SHAFT		01
48	0511065707	SIDE REAR PLATAFORM		02
49	0511065704	CENTER REAR PLATAFORM		02



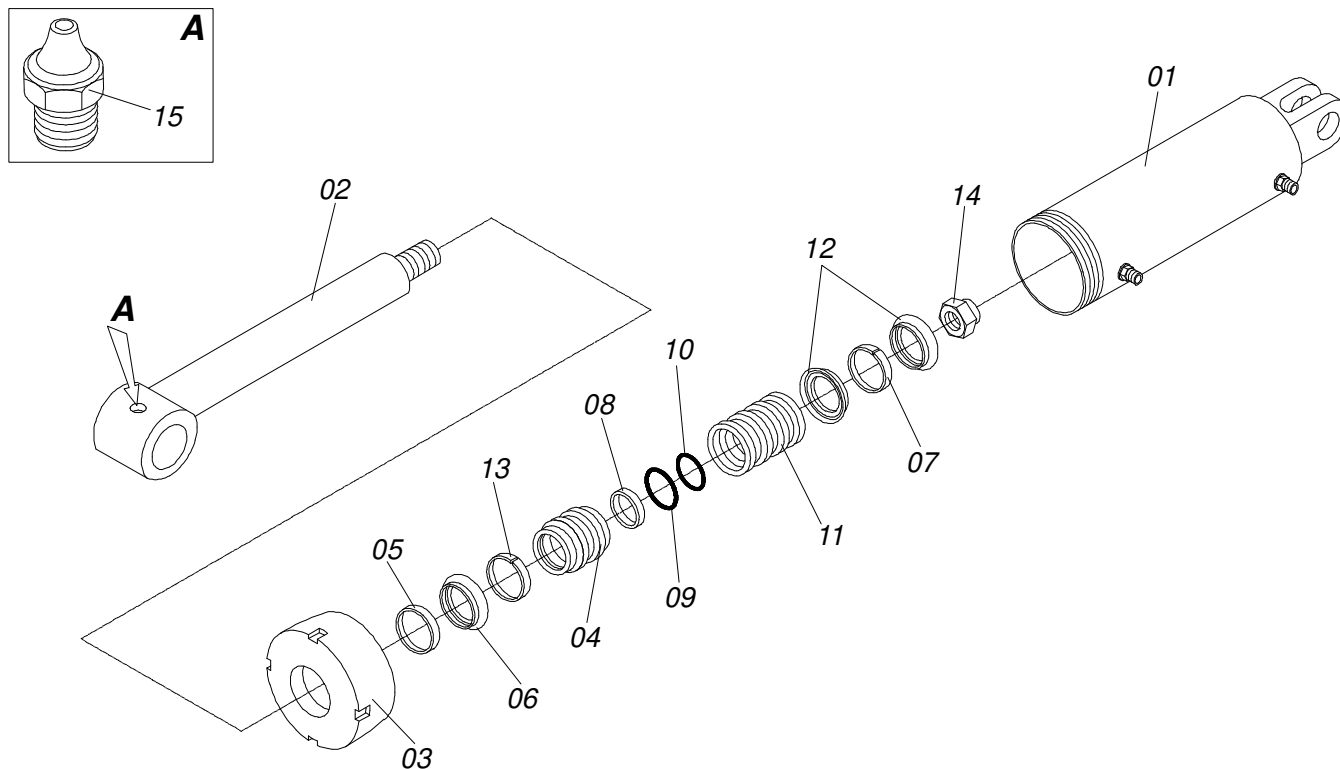
Item	Code	Description	See page	QT
50	0511065768	SIDE REAR PLATAFORM		02
51	0511065704	CENTER REAR PLATAFORM		02
52	0503010849	3/8" X 1-1/2" BOLT		10
53	0503010025	3/8" SPRING WASHER		14
54	0503010026	3/8" NUT		14
55	0511065708	HANDRAIL		02
56	0511065767	HANDRAIL		02
57	0503011957	NYLON LUG		01
58	0503010371	5/16" X 1" BOLT		02
59	0503010179	LOCK WASHER		02
60	0503010337	5/16" NUT		02
61	0503010920	1/2" X 1.1/2" BOLT		05
62	0503010395	1/2" X 1-1/4" BOLT		08
63	0511065709	LADDER		01
64	0531018627	0.5" X 1" X 0.2" SLEEVE		02
65	0511017302	FLAT WASHER		04
66	0511065678	STAIR RIGHT LOCK		01
67	0503010257	1/8" X 1" COTTERPIN		01
68	0511065517	STAIR SUPPORT		01
69	0502010477	HOSE CLAMP		04
70	0503010751	C3/8" X 1.1/4" HEX BOLT G.5		04
71	0501010984	FLAT WASHER		04
72	0511015693	TRANSPORT LOCK		03
73	0511015692	TRANSPORT LOCK		01
74	0501068994	0.3" X 3.1" LOCK PIN		05
75	0503030923	3/4" UNF X 13/16UN OFS X 40 NIPPLE		08
76	0503011030	2-014 N 3006-9B O'RING		08
77	0521012695	1-1/4" WRENCH FIXED		01
78	0511016197	82 SEXT WRENCH		01
79	0501069660	SEED DISC FIXER WRENCH		01
80	0501069082	1" X 5.7" LOCK AXLE		01
81	0531019493	CHAIN TIGHTENER BODY		02
82	0531019494	1.18" X 2.24" PULLEY		02
83	0501010155	1/2" X 1" BOLT		02
84	0521014188	FLAT WASHER		02



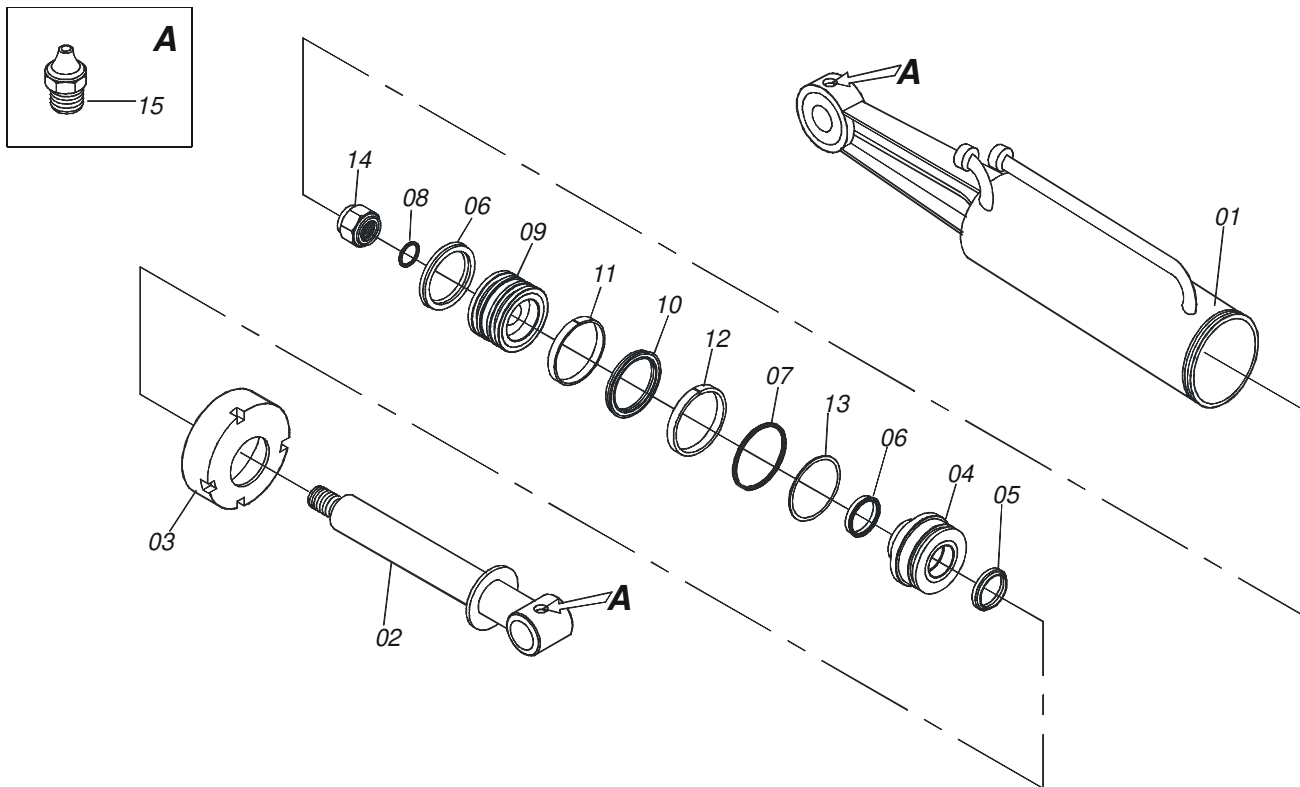
Item	Code	Description	See page	QT
01	0501067099	3.37" X 12.32" CYLINDER CASE		01
02	0501069641	16.6" X 1.75" TURNIBUCLE		01
03	0502010993	DETACHABLE COVER		01
04	0502010781	RING SUPPORT		01
05	0503010761	D-1750 SCRAPER RING		01
06	0503010990	GASKET		01
07	0503010976	2-336 N 3006-9B O'RING		01
08	0503010042	2-214 N 3006-9B O'RING		01
09	0502010843	1.8" X 3.4" PISTON		01
10	0503010170	PACKING 3120 2750		01
11	0503010948	W4-3346-590 PK RING G.E		01
12	0503010949	W2-2000-500 PK RING G.E		01
13	0503011060	8-336 BACK-UP RING		01
14	0503010063	1" SELF-ALIGNING NUT		01
15	0503010002	1800 GREASE FITTING		02



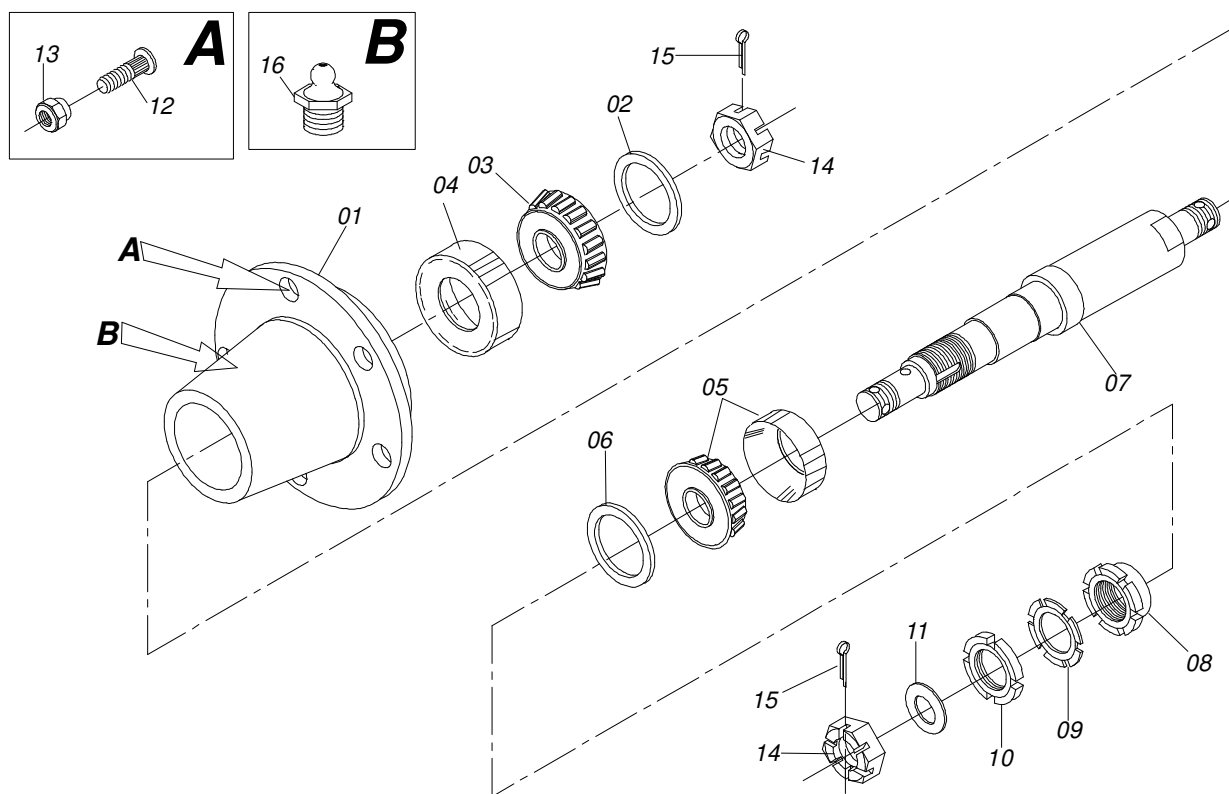
Item	Code	Description	See page	QT
01	0511066824	101,6 X 323 CYLINDER CASE		01
02	0501069642	2.08" X 17.8" TURNBUCLE		01
03	0502010017	4" HEAD		01
04	0502011250	RING OF SUPPORT		01
05	0503010319	D-2125 SCRAPER		01
06	0503010314	GASKET		01
07	0503010338	2-342 N 3006-9B O'RING		01
08	0503010345	2-218 N 3006-9B O'RING		01
09	0502011249	PISTON		01
10	0503010043	PACKING 3750-3250		01
11	0503010994	W2-4000-500 PK RING G.E		01
12	0503010973	W2-2500-500 PK O'RING G.E		01
13	0503011061	8-342 BACK-UP RING		01
14	0503010817	1.1/4" SELF LOCKING NUT		01
15	0503010002	1800 GREASE FITTING		02
16	0503012725	GASKET		01



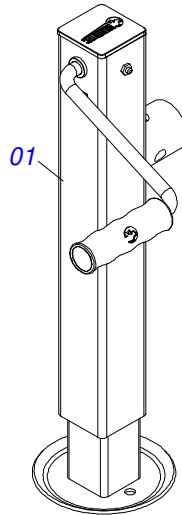
Item	Code	Description	See page	QT
00	0511042762	HYDRAULIC CYLINDER 38,10X63,50X515X193	4	01
01	0511065672	13.8" X 2.5" CYLINDER CASE		01
02	0511065673	17.87" X 1.5" TURNBUCLE		01
03	0502010471	MOBILE COVER		01
04	0502010780	RING SUPPORT		01
05	0503010163	D-1500 SCRAPER RING		01
06	0503010989	1870-1500-375-B GASKET		01
07	0503010970	W1-1650-500 PK O'RING G.E		01
08	0503011058	8-330 BACK-UP RING		01
09	0503010161	2-330 N 3006 9B O'RING		01
10	0503010285	2-222 N 3006-9B O'RING		01
11	0502010783	1.5" X 2.5" PISTON		01
12	0503010160	2500 2000 GASKET		02
13	0503010973	W2-2500-500 PK O'RING G.E		01
14	0503010063	1" SELF-ALIGNING NUT		01
15	0503010002	1800 GREASE FITTING		01
16	0501032666	HYDRAULIC CYLINDER REPAIR KIT		01



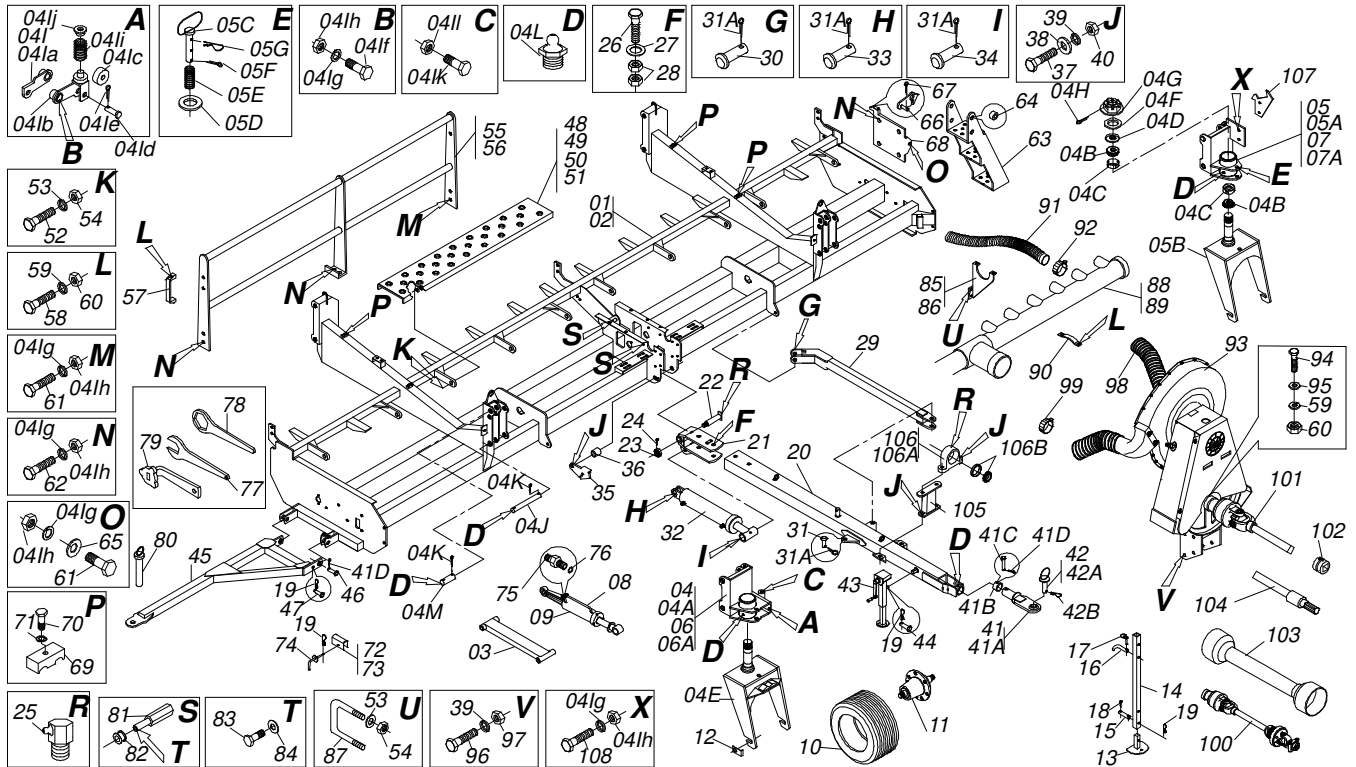
Item	Code	Description	See page	QT
01	0511065775	3.37" X 12.32 CYLINDER CASE		01
02	0501069641	16.6" X 1.75" TURNIBUCLE		01
03	0502010993	DETACHABLE COVER		01
04	0502011223	RING SUPPORT		01
05	0503010761	D-1750 SCRAPER RING		01
06	0503010990	GASKET		01
07	0503010976	2-336 N 3006-9B O'RING		01
08	0503010042	2-214 N 3006-9B O'RING		01
09	0502011847	1.7" X 3.4" PISTON		01
10	0503012509	GASKET		02
11	0503010948	W4-3346-590 PK RING G.E		01
12	0503010949	W2-2000-500 PK RING G.E		01
13	0503011060	8-336 BACK-UP RING		01
14	0503010063	1" SELF-ALIGNING NUT		01
15	0503010002	1800 GREASE FITTING		02
16	0501035169	CYLINDER REPAIR KIT 44,45 X 85,72		01



Item	Code	Description	See page	QT
01	0502010908	CARRYING WHEEL HUB		01
02	0503012747	SEAL 5144		01
03	0503010613	3780 CONE		01
04	0503010614	3720 CAP		01
05	0503010328	25590/25523 ROLLER BEARING		01
06	0503012162	5046 BAG SEAL RING		01
07	0541012124	TRANSP WHEELS AXLE		01
08	0511015949	LOCK NUT		01
09	0503010329	LOCK WASHER		01
10	0503010330	KM 9 LOCKNUT		01
11	0521011100	FLAT WASHER		01
12	0501010186	WHEEL SCREW 5/8UNF X 2.1/8CR		08
13	0503010064	5/8 UNF CONIC NUT		08
14	0503011052	1.1/4" X 0.77" CASTLE NUT		02
15	0503010067	3/16" X 2.1/2" COTTER PIN		02
16	0503010002	1800 GREASE FITTING		02



Item	Code	Description	See page	QT
01	0503062157	HEADER JACK		01



Item	Code	Description	See page	QT
001	0511065508	49.29" PDC FRAME		01
002	0511065509	57.1" PDC FRAME		01
003	0501069217	CARRYNG-WHEELS PIVOT ARM		08
004	0501055447	CARRYING-WHEELS PIVOT		01
004A	0511065730	RIGHT CARRYING-WHEELS PIVOT		01
004B	0503010640	3984 CONE		08
004C	0503010641	3920 CAP		08
004D	0503010091	SEAL 00134-B		08
004E	0511065457	CARRYING-WHEELS FORK FRONT REAR		02
004F	0511015449	WASHER		04
004G	0502040080	FLANGE NUT R.2.1/2 UN		04
004H	0503010073	3/8 X 3-1/2 COTTERPIN		04
004I	0501046478	LOCK CARRYNG-WHEELS ASSAY		02
004Ia	0501067328	LOK PIVOT		02
004Ib	0501067329	LOK PIVOT W/ GUIDE		02
004Ic	0511016229	PULLEY		02
004Id	0511016227	COUPLING SHAFT		02
004Ie	0503010071	3/16" X 1" COTTERPIN		02
004If	0511016244	BOLT		04
004Ig	0503010019	1/2" SPRING WASHER		19
004Ih	0503010060	1/2" NUT		19
004Ii	0503031006	COMPRESSION SPRING		02
004Ij	0511016228	SPRING SUPPORT		02
004Ik	0501019274	5/8" X 2" BOLT		02
004Il	0503010013	5/8" NUT		02
004J	0541013059	11.92" X 1.5" AXLE		04
004K	0503010523	1/4" X 2" COTTERPIN		12
004L	0503010002	1800 GREASE FITTING		12
004M	0541013058	2.2" X 1.2" AXLE		04
005	0501055448	CARRYING-WHEELS PIVOT		01
005A	0511065731	LEFT CARRYING-WHEELS PIVOT		01



PDC PD
SUPREMA FRAME

Item	Code	Description	See page	QT
005B	0511065456	LH CARRYING-WHEELS FORK FRONT REAR		02
005C	0501067034	CARRYNG-WHEELS LOCK		03
005D	0511015346	FLAT WASHER		03
005E	0503030978	COMPRES SPRING		03
005F	0503010018	5/32 X 1-1/2 COTTERPIN		03
005G	0503030012	HAIR PIN		03
006	0501055449	CARRYING-WHEELS PIVOT ASSY		01
006A	0511065732	RH REAR CARRYING-WHEELS PIVOT		01
007	0501055450	CARRYING-WHEELS PIVOT ASSY		01
007A	0511065733	LH REAR CARRYING-WHEELS		01
008	0511042821	HYDRAULIC CYLINDER 44,45X85,7X686X203 BP	4	01
009	0501048229	HYDRAULIC CYLINDER 53,98 X 101,6 X 683 X 206	9	01
010	0511065454	0.5" X 0.6" WHEEL CENTER		04
011	0501055280	STUB SHAFT & HUB ASSY	5	04
012	0511014788	CARRYING WHEELS AXLE LOCK		08
013	0501069636	PLOUGH SUPPORT		04
014	0521012669	SQUARE TUBE		04
015	0521010790	COUPLING SHAFT		04
016	0501011075	PIN		04
017	0503030085	LOCK PIN		04
018	0503010131	3/16" X 1-1/2" COTTERPIN		04
019	0503030168	CUPILLA		10
020	0501069193	DRAWBAR ASSY		01
021	0511065703	DRAWBAR PIVOT		01
022	0521011009	PIVOT AXLE		01
023	0501011301	1.1/2 UNC 6FPP 2.5/16 NUT		01
024	0503010010	1/4" X 2.1/2" COTTERPIN		01
025	0503010004	1890 GREASE FITTING		01
026	0501014172	1" X 8" BOLT		02
027	0511016429	FLAT WASHER		04
028	0501010059	1.5/8 NUT		04
029	0511065705	FRENCH HAND HEADER DRAW TRACTION		02
030	0521010577	0.9" X 4.1" COUPLING SHAFT		02
031	0521010571	COUPLING SHAFT		02
031A	0503010571	1/4" X 1.1/2 COTTERPIN		06
032	0511042762	HYDRAULIC CYLINDER 38,10X63,50X515X193	4	01
033	0521010579	COUPLING SHAFT		01
034	0521010580	COUPLING SHAFT		01
035	0541013115	DRAWBAR CYLINDER LOCK		01
036	0541013180	0.33" X 0.64" X 1" BUSHING		01
037	0501010100	SCREW 5/8 UNC X 2 CS G.5 ZN		05
038	0501012140	FLAT WASHER		02
039	0503010027	5/8" SPRING WASHER		13
040	0503010013	5/8" NUT		05
041	0501053494	TRACTOR HITCH ASSY		01
041A	0511062245	TRACTOR HITCH ASSY		01
041B	0521010681	BUSHING COUPLING BODY		01
041C	0521010639	COUPLING SHAFT		01
041D	0503010571	1/4" X 1.1/2 COTTERPIN		03
042	0501047881	AXIS JOINT ASSY		01
042A	0501068989	COUPLING SHAFT		01
042B	0503031035	HAIR PIN		01
043	0511041259	DRAWBAR JACK ASSY	6	01
044	0521010549	COUPLING SHAFT		01
045	0511064862	TRANSP DRAWBAR		01
046	0511011887	COUPLING SHAFT		02
047	0521010556	COUPLING SHAFT		01
048	0511065707	SIDE REAR PLATAFORM		02
049	0511065704	CENTER REAR PLATAFORM		02



PDC PD
SUPREMA FRAME

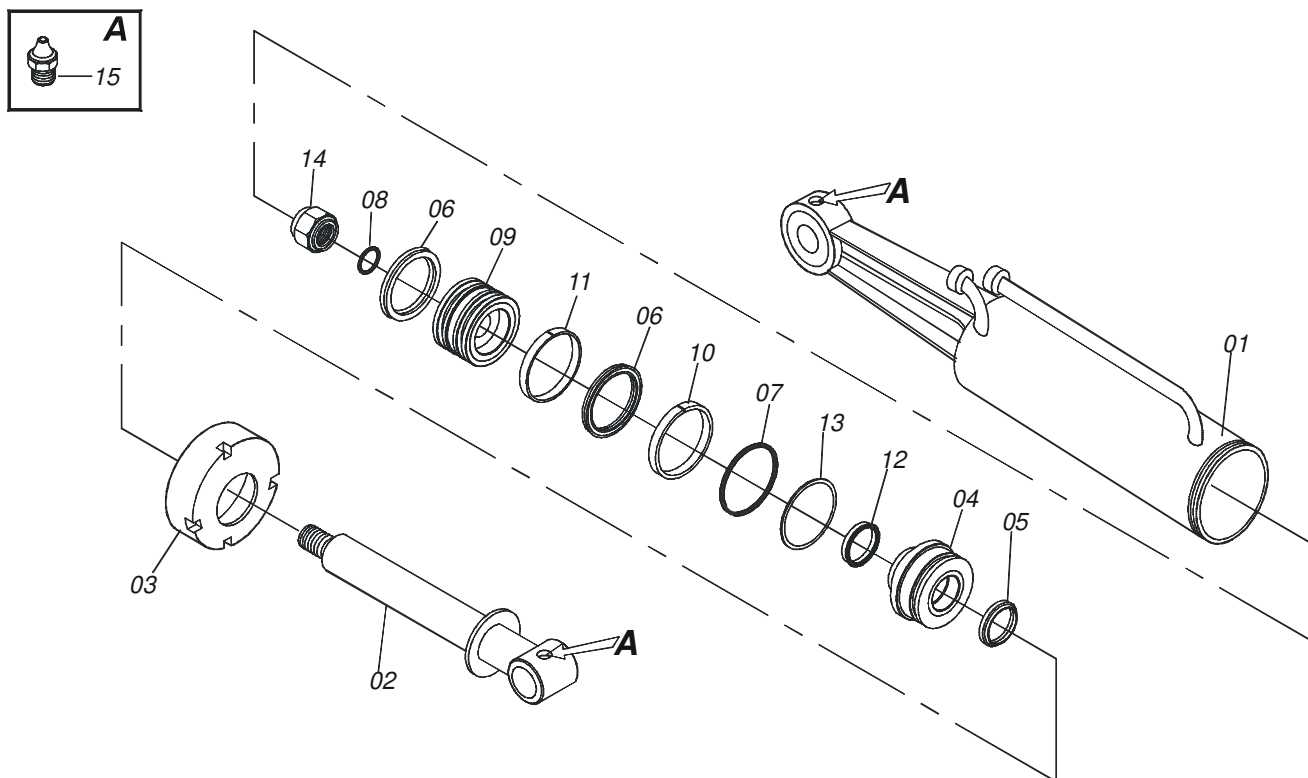
Item	Code	Description	See page	QT
050	0511065768	SIDE REAR PLATAFORM		02
051	0511065704	CENTER REAR PLATAFORM		02
052	0503010849	3/8" X 1-1/2" BOLT		10
053	0503010025	3/8" SPRING WASHER		26
054	0503010026	3/8" NUT		26
055	0511065708	HANDRAIL		02
056	0511065767	HANDRAIL		02
057	0503011957	NYLON LUG		01
058	0503010371	5/16" X 1" BOLT		14
059	0503010179	LOCK WASHER		15
060	0503010337	5/16" NUT		15
061	0503010920	1/2" X 1.1/2" BOLT		05
062	0503010395	1/2" X 1-1/4" BOLT		08
063	0511065709	LADDER		01
064	0531018627	0.5" X 1" X 0.2" SLEEVE		02
065	0511017302	FLAT WASHER		04
066	0511065678	STAIR RIGHT LOCK		01
067	0503010257	1/8" X 1" COTTERPIN		01
068	0511065517	STAIR SUPPORT		01
069	0502010477	HOSE CLAMP		04
070	0503010751	C3/8" X 1.1/4" HEX BOLT G.5		04
071	0501010984	FLAT WASHER		04
072	0511015693	TRANSPORT LOCK		03
073	0511015692	TRANSPORT LOCK		01
074	0501068994	0.3" X 3.1" LOCK PIN		05
075	0503030923	3/4" UNF X 13/16UN OFS X 40 NIPPLE		08
076	0503011030	2-014 N 3006-9B O'RING		08
077	0521012695	1-1/4" WRENCH FIXED		01
078	0511016197	82 SEXT WRENCH		01
079	0501069660	SEED DISC FIXER WRENCH		01
080	0501069082	1" X 5.7" LOCK AXLE		01
081	0531019493	CHAIN TIGHTENER BODY		02
082	0531019494	1.18" X 2.24" PULLEY		02
083	0501010155	1/2" X 1" BOLT		02
084	0521014188	FLAT WASHER		02
085	0531011420	HOSE HOLDER LEFT SUPPORT		03
086	0531011389	HOSE HOLDER RIGHT SUPPORT		03
087	0531011393	3/8" X 3.62" X 3.26" FASTENER		06
088	0503031658	5950 AIR DISTRIBUTOR		01
089	0503031913	6950 AIR DISTRIBUTOR		01
090	0521018402	AIR CONDUCTOR CLAMP		06
091	0531011457	2" X 33.46" AIR CONDUCTOR		12
092	0503010246	CLAMP		24
093	0501054823	TURBINE ASSY FOR CARDAN		01
094	0503013096	5/16" X 4" BOLT		01
095	0501010694	FLAT WASHER		10
096	0503011267	BOLT 5/8 UNC X 1.1/2 C S G.5 ZN		08
097	0503012412	5/8 UNC SELF LOCKING NUT		08
098	0531011452	5" X 38" HOSE ASSY		01
099	0503012724	121 TO 140 CLAMP		02
100	0511041364	DRIVE SHAFT	10	01
101	0501052347	CARDAN SEMI		01
102	0503012069	ADAPTER FOR BUSHING PROTECT		01
103	0503012098	PROTECTION ASSY		01
104	0511062688	EXTENSION AXLE BUSING		01
105	0511062690	AGRICULTURAL BEARING SUPPORT		01
106	0501044308	AGRICULTURAL BEARING ASSY		01
106A	0502011050	AGRICULTURAL HOUSING BEARING		01
106B	0503011163	1108/UCR BEARING ASSY		01



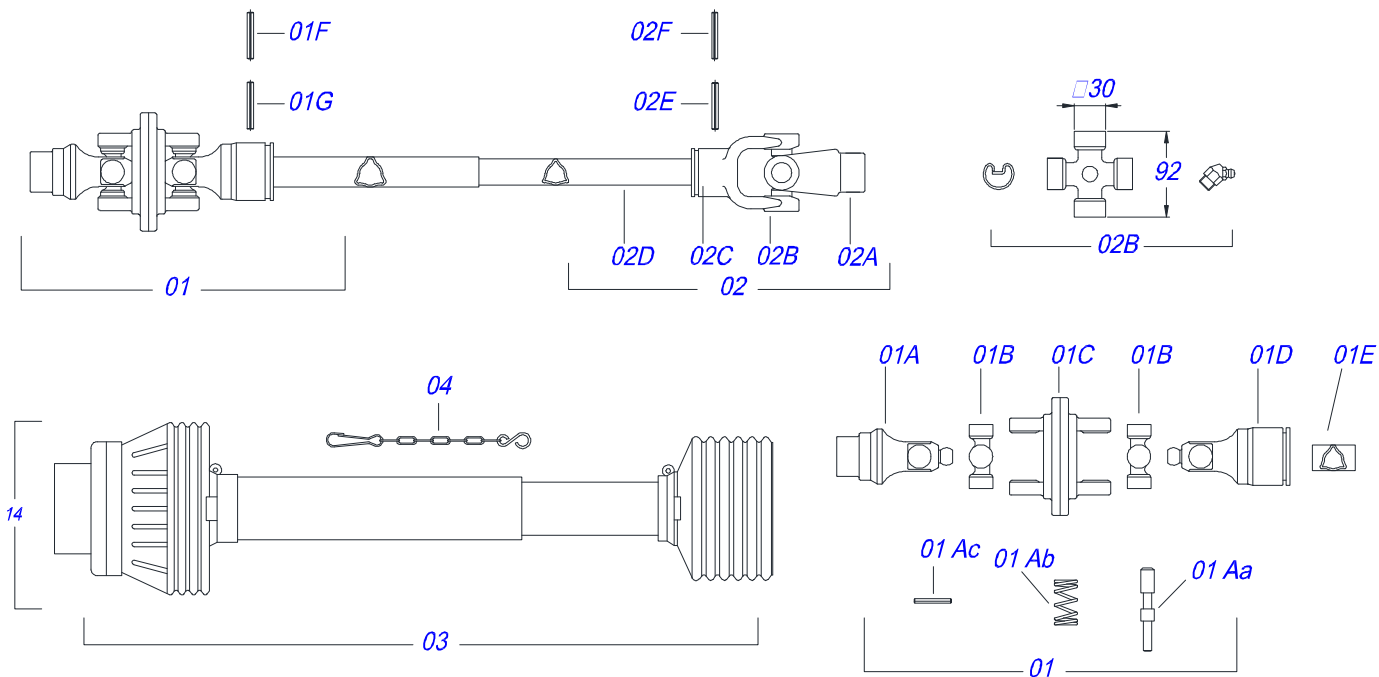
PDC PD
SUPREMA FRAME

Page 7
0909091119

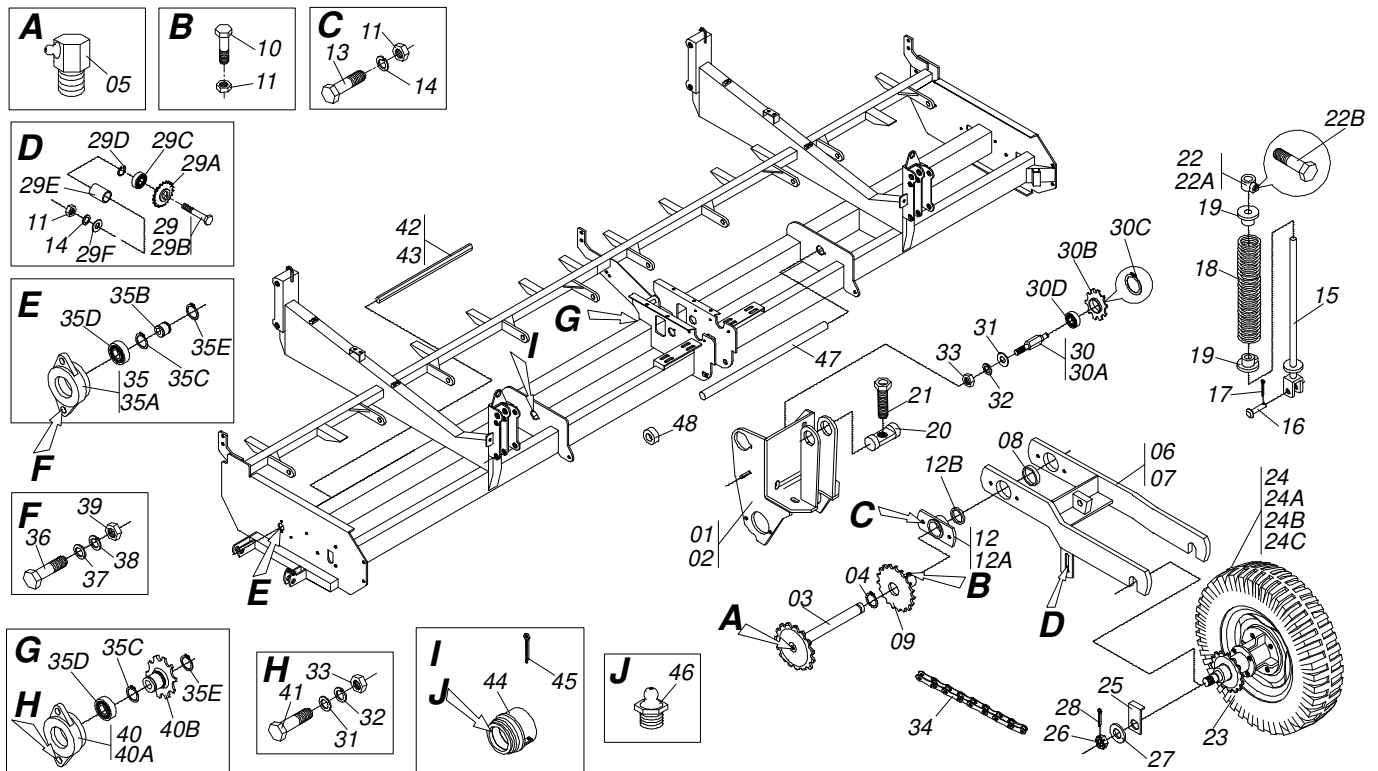
Item	Code	Description	See page	QT
107	0541013045	DRAWBAR SUPPORT		01
108	0503010740	BOLT 1/2 UNC X 2 CS G.5 ZN		02



Item	Code	Description	See page	QT
01	0501068782	4" X 9.65" CYLINDER CASE		01
02	0501069642	2.08" X 17.8" TURNBUCLE		01
03	0502011182	4" DETACHABLE COVER		01
04	0502011536	2.1" X 4" RING SUPPORT		01
05	0503010319	D-2125 SCRAPER		01
06	0503010043	PACKING 3750-3250		02
07	0503010338	2-342 N 3006-9B O'RING		01
08	0503010345	2-218 N 3006-9B O'RING		01
09	0502011249	PISTON		01
10	0503010973	W2-2500-500 PK O'RING G.E		01
11	0503010994	W2-4000-500 PK RING G.E		01
12	0503010314	GASKET		01
13	0503011061	8-342 BACK-UP RING		01
14	0503010044	1-1/4" SELF LOCKING NUT		01
15	0503010002	1800 GREASE FITTING		02
16	0501032522	CYLINDER REPAIR KIT ASSY		01



Item	Code	Description	See page	QT
01	0501055638	HOMO JOINT WITH FEMALE BUSHING		01
01A	0503012607	TRACTOR HOMOCINETIC TERMINAL		01
01Aa	0521010638	0.5" X 3.3" QUIC HITCH COUPL SHAFT		01
01Ab	0503030518	0.5"X1.0"X 0.1" COMPRESSION SPRING		01
01Ac	0503010140	1/8" X 3/4" COTTERPIN		01
01B	0503012605	CROSSPIECE		02
01C	0503012606	CENTER BODY		01
01D	0503012604	HOMO TERMINAL W/ FEMALE BUSHING		01
01E	0503012618	2.1" X 2.0" X 31" TRIAN FEMALE TUB		01
01F	0503010843	0.4" X 3.3" SPRING PIN		01
01G	0503011878	0.2" X 3.3" SPRING PIN		01
02	0501055639	UNIVERSAL JOINT		01
02A	0503013132	CC292 TERMINAL		01
02B	0503012096	CROSSPIECE		01
02C	0503013187	TERMINAL		01
02D	0503012619	1.8" X 1.7" X 31" TRIAN MALE TUB		01
02E	0503011069	0.4" X 2.8" SPRING PIN		01
02F	0503011805	0.2" X 2.8" SPRING PIN		01
03	0503013189	PROTECTION ASSY		01
04	0503012023	CHAIN FOR PROTECTION		01

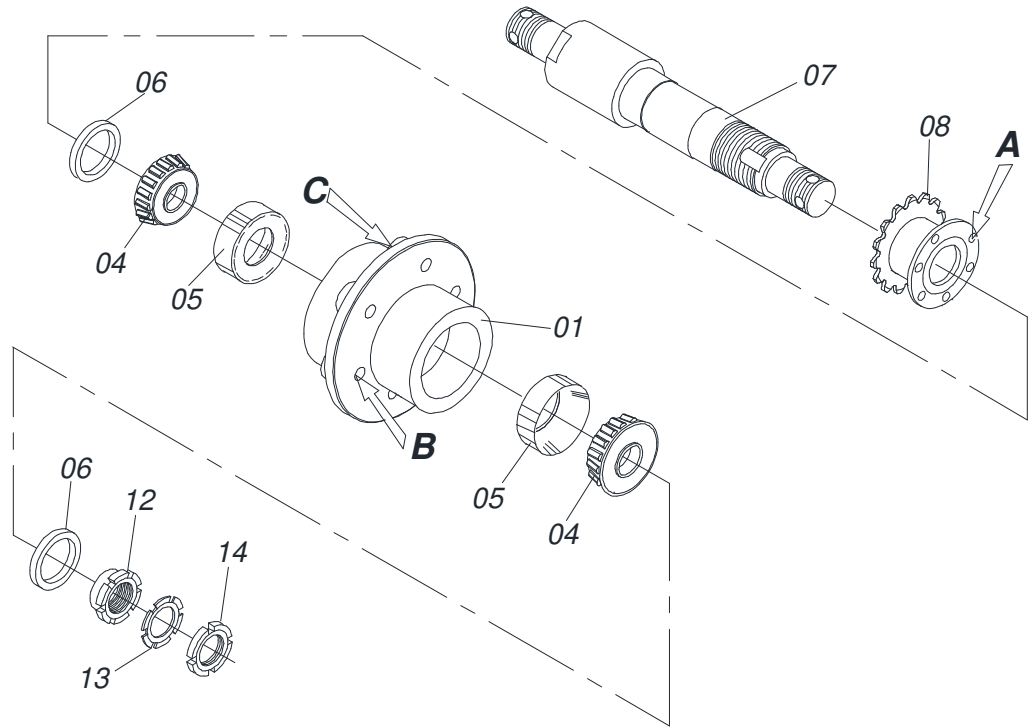
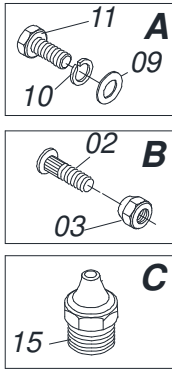


Item	Code	Description	See page	QT
01	0501069220	TRANSM ARM FIXER RIGHT SUPPORT		01
02	0501069221	TRANSM ARM FIXER LEFT SUPPORT		01
03	0501069159	WHEELS AXLE		01
04	0503011788	501062 CLAMPING RING (FOR AXLE)		02
05	0503010004	1890 GREASE FITTING		02
06	0501069215	TRANSM RIGHT ARM		01
07	0501069216	TRANSM LEFT ARM		01
08	0521011173	SLEEVE 75 X 63,30 X 15		02
09	0501069194	SLEEVE 22Z GEAR		05
10	0503010395	1/2" X 1-1/4" BOLT		05
11	0503010060	1/2" NUT		06
12	0501110282	CARRYING-WHEELS RATCHET		02
12A	0501072818	CARRYNG-WHEELS RATCHET		02
12B	0521011184	1.2" X 1.8" 2.1" SLEEVE		02
13	0503010834	1/2 X 1 BOLT		06
14	0503010019	1/2" SPRING WASHER		07
15	0501069213	SPRING GUIDE		01
16	0521010542	COUPLING SHAFT		01
17	0503010257	1/8" X 1" COTTERPIN		01
18	0503031379	COMPRESSION SPRING		01
19	0502020635	SPRING UPPER SUPPORT		02
20	0521011158	SPRING LOCKNUT		01
21	0521011157	REGULATOR SPINDLE		01
22	0501055489	SPRING GUIDE LOCK SLEEVE		01
22A	0502040534	SPRING GUIDE BUSHING LOCK		01
22B	0501018535	1/2 X 1 BOLT		01
23	0501053987	TRANSMISSION HUB CARRYING-WHEELS	12	01
24	0503060141	WHEEL AND TIRE ASSY		02
24A	0503011101	CANVAS TIRE		02
24B	0503010894	0.2"X0.6"X4.6"X6F0.6"X6" WHEEL		02
24C	0503010694	INNER TIRE		02

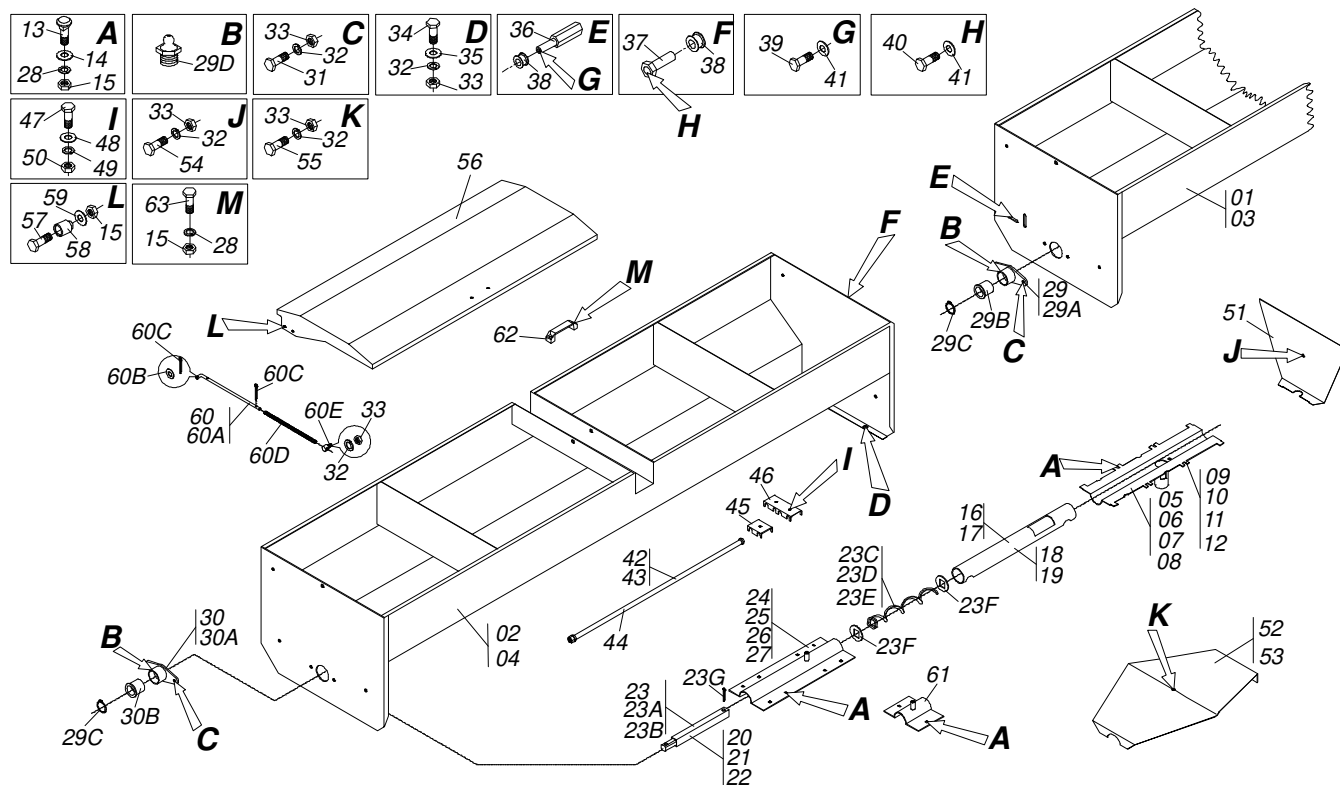


PDC PD
TRANSMISSION

Item	Code	Description	See page	QT
25	0511014788	CARRYING WHEELS AXLE LOCK		02
26	0503011052	1.1/4" X 0.77" CASTLE NUT		02
27	0521011132	FLAT WASHER		01
28	0503010067	3/16" X 2.1/2" COTTER PIN		02
29	0501054092	CHAIN TENSIONER		01
29A	0511063645	CHAIN TENSIONER BODY		01
29B	0541010599	CHAIN TIGHTENER AXLE		01
29C	0503012882	BEARING		01
29D	0503011945	503050 CLAMPING RING (FOR AXLE)		01
29E	0531015014	SLEEVE 16 X 22 X 20		01
29F	0511017302	FLAT WASHER		01
30	0501051785	13Z TENSIONER ASSY		04
30A	0521011183	80 TIGHTENER AXLE		04
30B	0501069202	BUSHING 13Z GEAR		01
30C	0503010291	501012 CLAMPING RING (FOR AXLE)		01
30D	0503012128	BALL BEARING		01
31	0501010984	FLAT WASHER		05
32	0503010025	3/8" SPRING WASHER		05
33	0503010026	3/8" NUT		05
34	0503013371	50-1 X CHAIN X 104 LINK + REDUCION		01
35	0501055454	SIDE TRANSM BEARING ASSY		02
35A	0502012031	HOUSING BEARING		01
35B	0541012805	SIDE TRANSM BEARING AXLE		01
35C	0503010707	501030 CLAMPING RING (FOR AXLE)		02
35D	0503012861	6006 2RS BALL BEARING		02
35E	0503012858	502075 CLAMPING RING (FOR HOLE)		01
36	0503010365	NUT		04
37	0501010694	FLAT WASHER		04
38	0503010179	LOCK WASHER		04
39	0503010337	5/16" NUT		04
40	0501055453	CENTER TRANS BEARING ASSY		01
40A	0502012031	HOUSING BEARING		01
40B	0511065647	16Z GEAR BEARING AXLE		01
41	0503010849	3/8" X 1-1/2" BOLT		04
42	0541012803	135.6" X 3/4" SEXT AXLE		01
43	0541012807	133.1" X 3/4" SEXT AXLE		01
44	0501110289	AGRICULTURAL BEARING		04
45	0503010140	1/8" X 3/4" COTTERPIN		04
46	0503010002	1800 GREASE FITTING		04
47	0531019429	WHEELS TRANSM AXLE		02
48	0541010146	1.27" X 2" X 0.7" SLEEVE		02



Item	Code	Description	See page	QT
01	0502011109	HUB SPDLE ASSY		01
02	0503010328	25590/25523 ROLLER BEARING		02
03	0503010804	00547-B SEAL		02
04	0531015334	WHEEL AXLE		01
05	0511063646	28Z GEAR WITH FLANGE		01
06	0501010694	FLAT WASHER		06
07	0503011444	SPRING WASHER		06
08	0503010365	NUT		06
09	0511015949	LOCK NUT		01
10	0503010329	LOCK WASHER		01
11	0503010330	KM 9 LOCKNUT		01
12	0503010002	1800 GREASE FITTING		01
13	0501010127	9/16" X 1-7/8" LUG BOLT		06
14	0503010035	9/16" CONIC NUT		06

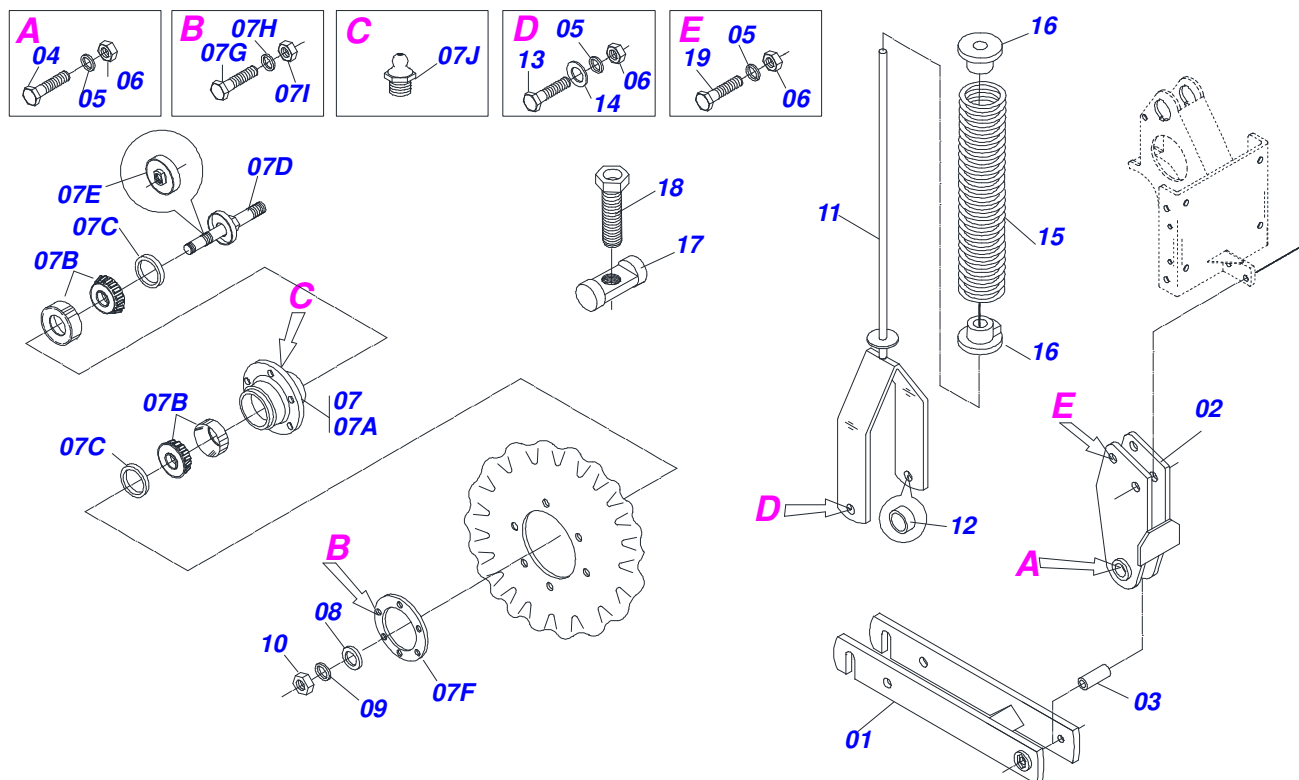


Item	Code	Description	See page	1252	1452
01	0511065722	RIGHT FERTILIZER BOX		01	
02	0511065723	LEFT FERTILIZER BOX		01	
03	0511065728	RIGHT FERTILIZER BOX			01
04	0511065729	LEFT FERTILIZER BOX			01
05	0501069187	548 RIGHT FERTILIZER CONDUCTOR		04	05
06	0501069191	548 LEFT FERTILIZER CONDUCTOR		04	05
07	0501069192	508 RIGHT FERTILIZER CONDUCTOR		01	01
08	0501069188	508 LEFT FERTILIZER CONDUCTOR		01	01
09	0501069190	535 RIGHT FERTILIZER CONDUCTOR		01	
10	0501069189	548 LEFT FERTILIZER CONDUCTOR		01	
11	0501069994	535 RIGHT FERTILIZER CONDUCTOR			01
12	0501069995	535 LEFT FERTILIZER CONDUCTOR			01
13	0503011953	5/16" X 1" BOLT		58	70
14	0521011039	FLAT WASHER		58	70
15	0503010337	5/16" NUT		66	78
16	0521011123	181 FERTILIZER DISTR TUBE		01	01
17	0521011122	304 FERTILIZER DISTR TUBE		01	
18	0521013341	455 FERTILIZER DISTR TUBE			01
19	0521011121	550 FERTILIZER DISTR TUBE		05	06
20	0501054662	FERTILIZER SISTEM AXLE		01	
21	0501051787	RIGHT FERTILIZER SISTEM AXLE ASSY		01	
22	0501052098	LEFT FERTILIZER SISTEM AXLE ASSY			01
23	0501054664	FERTILIZER SISTEM AXLE ASSY		01	01
23A	0531019441	FERTILIZER BOX AXLE		01	
23B	0531019467	FERTILIZER BOX AXLE			01
23C	0503031169	RIGHT HELICAL CONDUTOR		06	07
23D	0503031170	LEFT HELICAL CONDUTOR		06	07
23E	0503031171	RIGHT HELICAL CONDUTOR			07
23F	0521011128	LOCK WASHER		14	16
23G	0503010778	1/8" X 1.1/2" COTTERPIN		14	16
24	0521011131	116 FERTILIZER CONDUCTION FIXER		01	

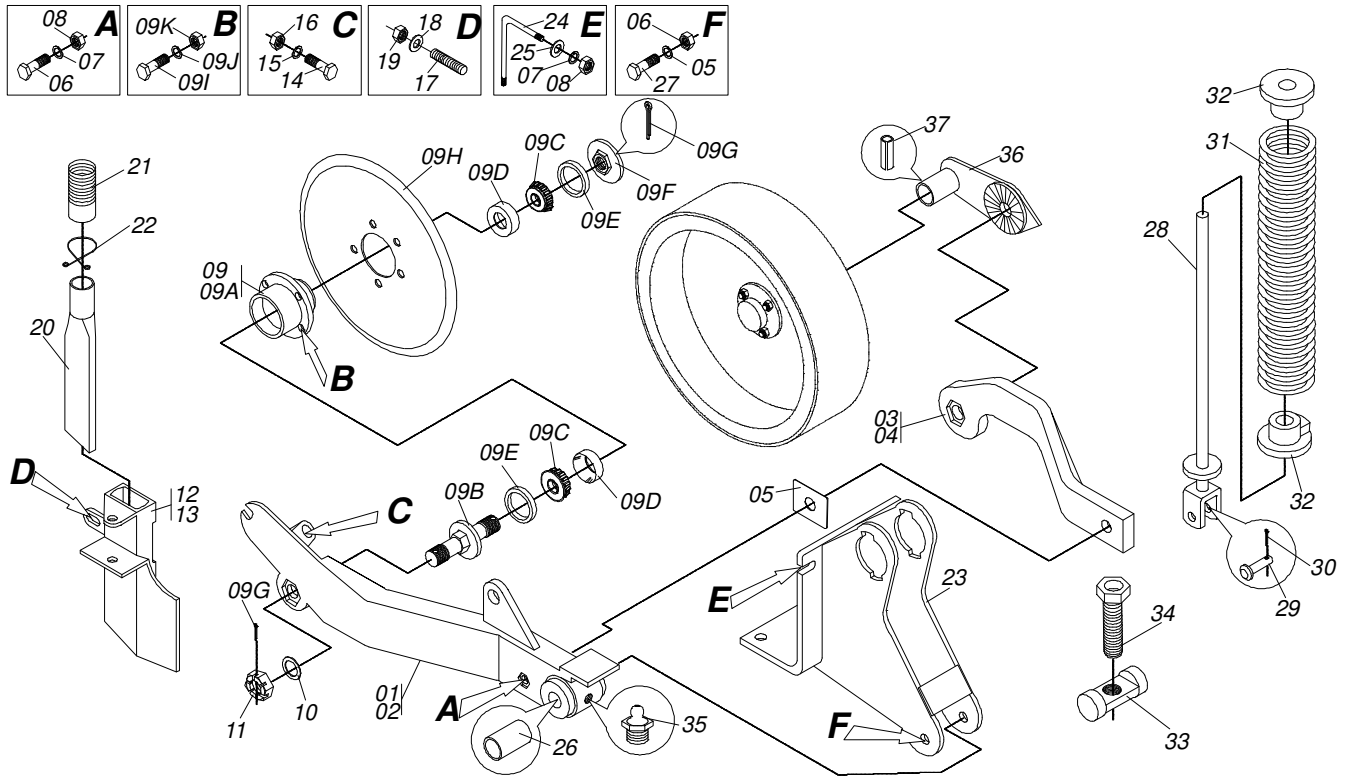


PDC PD
FERTILIZER BOX

Item	Code	Description	See page	1252	1452
25	0501069185	279 FERTILIZER CONDUCTION FIXER		01	01
26	0501069195	FERTILIZER CONDUCTION FIXER		05	06
27	0511060005	266 FERTILIZER CONDUCTION FIXER			01
28	0503011444	SPRING WASHER		66	78
29	0501051798	AGRICULTURAL BEARING ASSY		02	02
29A	0501110250	BEARING BOX		02	02
29B	0521011127	AGRICULTURAL BEARING REEL		02	02
29C	0503010372	501050 CLAMPING RING (FOR AXLE)		03	03
29D	0503010002	1800 GREASE FITTING		03	03
30	0501054010	OUTER BEARING ASSY		01	01
30A	0501110359	OUTER BEARING ASSY		01	01
30B	0502040540	FERTILIZER BOX EXT BEARING REEL		01	01
31	0503010237	3/8" X 1" BOLT		04	04
32	0503010025	3/8" SPRING WASHER		10	10
33	0503010026	3/8" NUT		14	14
34	0503010751	C3/8" X 1.1/4" HEX BOLT G.5		06	06
35	0501010984	FLAT WASHER		31	31
36	0531019492	CHAIN TENSIONER BODY		01	01
37	0531019493	CHAIN TIGHTENER BODY		01	01
38	0531019494	1.18" X 2.24" PULLEY		02	02
39	0501010155	1/2" X 1" BOLT		02	02
40	0503010953	1" X 2" BOLT		01	01
41	0521014188	FLAT WASHER		03	03
42	0511065777	OIL TUBE		02	02
43	0511065776	OIL TUBE		02	02
44	0511065781	OIL TUBE			04
45	0521011019	SMALLER CLAMP		01	01
46	0521011021	OUTER FIXER TUBE LARGER		01	01
47	0503010420	BOLT		10	10
48	0511017303	FLAT WASHER		10	10
49	0503010143	1/4" SPRING WASHER		10	10
50	0503010144	1/4" NUT		10	10
51	0521011124	SIDE DEFLECTOR		01	01
52	0521011126	CENTER DEFLECTOR		05	06
53	0521011125	DOBLE DEFLECTOR		02	02
54	0501010080	3/8" BOLT		01	01
55	0503011268	3/8" X 2-1/2" BOLT		05	06
56	0501069204	FERTILIZER BOX COVER		02	02
57	0503010421	5/16" X 1-1/2" BOLT		04	04
58	0521011116	COVER PIVOT BUSHING		04	04
59	0501010694	FLAT WASHER		04	04
60	0501051927	COVER PIVOT SHAFT ASSY		04	04
60A	0521011120	COVER PIVOT SHAFT		04	04
60B	0501010694	FLAT WASHER		01	01
60C	0503010140	1/8" X 3/4" COTTERPIN		08	08
60D	0503031329	COMPRES SPRING		04	04
60E	0521011117	PIVOT SPRING AXLE		04	04
61	0501069186	100 DEFLECTOR FIXER		01	01
62	0503011907	PMC 594-S NYLON LUG		04	04
63	0503010363	5/16" X 1" BOLT		04	04



Item	Code	Description	See page	QT
00	0511042864	BLADE DISC ASSY	14	01
01	0511064265	BLADE DISC ARM		01
02	0511064266	BLADE DISC SUPPORT		01
03	0531017651	1" X 0.6" X 3.3" SLEEVE		01
04	0511010736	5/8" X 5-1/4" BOLT		01
05	0503010027	5/8" SPRING WASHER		05
06	0503010129	5/8" NUT		05
07	0501055527	BLADE DISC HUB ASSY		01
07A	0502011279	DISC HUB		01
07B	0503010215	30205 BEARING		02
07C	0503010213	SEAL 30205		02
07D	0511061647	BLADE DISC AXLE ASSY		01
07E	0501068582	7/8" UNF WITH DUST CLOAK NUT		01
07F	0501013839	WASHER		01
07G	0503010365	NUT		06
07H	0503011444	SPRING WASHER		06
07I	0503010337	5/16" NUT		06
07J	0503010691	1/4" GREASE FITTING		01
08	0511015346	FLAT WASHER		02
09	0503011438	SPRING WASHER		02
10	0531017617	3/4" X 0.63" D BLADE NUT		02
11	0511064264	BLADE DISC SPRING GUIDE		01
12	0511014513	1" X 0.6" X 0.4" ARTICULAT SLEEVE		02
13	0503010232	5/8" X 1.3/4" BOLT		02
14	0501012140	FLAT WASHER		02
15	0503031379	COMPRESSION SPRING		01
16	0502020635	SPRING UPPER SUPPORT		02
17	0521011158	SPRING LOCKNUT		01
18	0521012736	REGULATOR SPINDLE		01
19	0501011541	5/8" X 3" BOLT		02

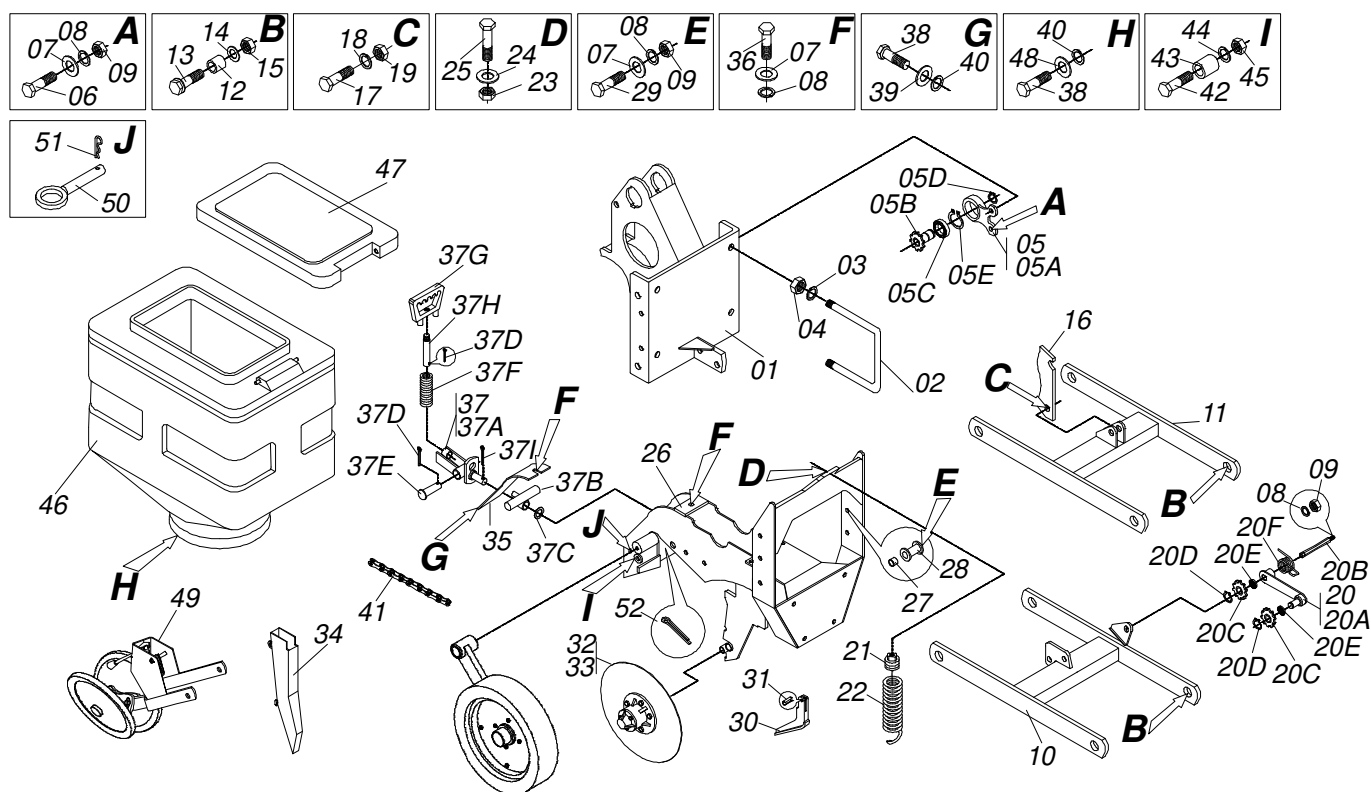


Item	Code	Description	See page	QT
00	0511041274	RIGHT FERTILIZER ROW ASSY		01
00A	0511041275	LEFT FERTILIZER ROW ASSY		01
01	0502011463	FERTILIZER ROW RIGHT ARM		01
02	0502011464	FERTILIZER ROW LEFT ARM		01
03	0502011521	FERTILIZER DEPTH WHEEL RIGHT ARM		01
04	0502011525	FERTILIZER DEPTH WHEEL LEFT ARM		01
05	0502011197	170 ADJUSTMENT NUT BODY		03
06	0503010233	5/8" X 2-1/2" BOLT		01
07	0503010027	5/8" SPRING WASHER		06
08	0503010013	5/8" NUT		06
09	0501051793	FERTILIZER ROW DISC		01
09A	0502011465	DISC HUB		01
09B	0501069211	AXLE DUST CLOAK		01
09C	0503010619	67048 CONE		01
09D	0503010620	67010 CAP		01
09E	0503012103	5301 -BSEAL		02
09F	0501069210	1/4" UNF WITH DUST CLOAK NUT		01
09G	0503010038	3/16 X 2 COTTERPIN		02
09H	0603024037	PLAIN COULTER BALDE		01
09I	0503010371	5/16" X 1" BOLT		05
09J	0503010179	LOCK WASHER		05
09K	0503010337	5/16" NUT		05
10	0501019435	32 X 50 X 1.5 FLAT WASHER		02
11	0503011052	1.1/4" X 0.77" CASTLE NUT		01
12	0502012126	FERTILIZER SOCKET RIGHT SUPPORT		01
13	0502012127	FERTILIZER SOCKET LEFT SUPPORT		01
14	0503010547	1/2" X 4" BOLT		01
15	0503010019	1/2" SPRING WASHER		01
16	0503011336	1/2" HEX SELF ADJUSTING NUT		01
17	0531017676	PRISONER R 3/8UNC X 105		02
18	0501010984	FLAT WASHER		04



PDC PD
FERTILIZER ROW ASSY

Item	Code	Description	See page	QT
19	0503010026	3/8" NUT		04
20	0503030520	SEED SOCKET		01
21	0503030408	2X2X390 HOSE		01
22	0503031076	2" HOSE CLAMP		02
23	0501069167	FERTILIZER ROW SUPPORT		01
24	0511015846	FERTILIZER ROW FIXER		02
25	0501012140	FLAT WASHER		04
26	0521010994	0.6" X 1" X 2.9" SLEEVE		01
27	0503013091	5/8" X 4-1/2" BOLT		01
28	0511064274	FERTILIZER ROW SPRING GUIDE		01
29	0521010542	COUPLING SHAFT		01
30	0503010257	1/8" X 1" COTTERPIN		01
31	0503031379	COMPRESSION SPRING		01
32	0502020635	SPRING UPPER SUPPORT		01
33	0521011158	SPRING LOCKNUT		01
34	0521012736	REGULATOR SPINDLE		01
35	0503010002	1800 GREASE FITTING		01
36	0502011526	DEPTH CONTROL WHEELS REGULATOR		01
37	0503010756	0.2" X 2.4" SPRING PIN		01

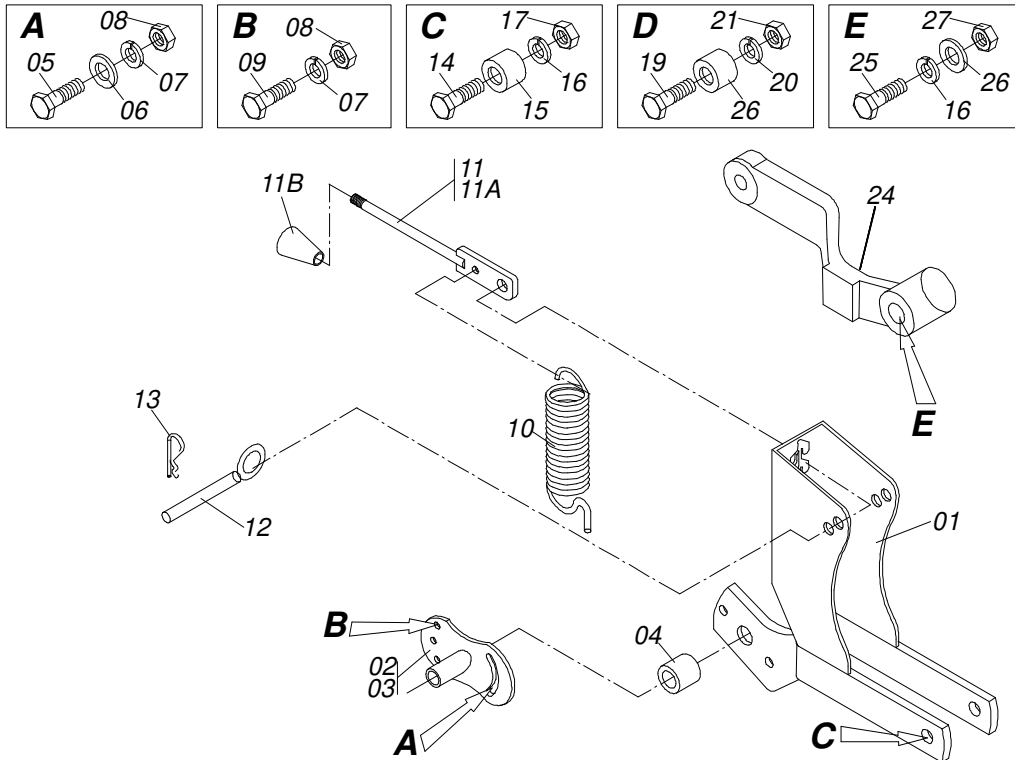


Item	Code	Description	See page	QT
01	0511064267	SEED ROW LEVER FIXER	01	01
02	0541013002	5/8" UNC X 198 X 165 FASTENER	02	02
03	0503010027	5/8" SPRING WASHER	04	04
04	0503010013	5/8" NUT	04	04
05	0501055406	SEED AXLE BEARING ASSY	01	01
05A	0511065651	SEED AXLE BEARING	01	01
05B	0511065649	WHEEL TOOTH 17Z PDC S-0304	01	01
05C	0503012861	6006 2RS BALL BEARING	01	01
05D	0503010707	501030 CLAMPING RING (FOR AXLE)	02	02
05E	0503012858	502075 CLAMPING RING (FOR HOLE)	01	01
06	0503010751	C3/8" X 1.1/4" HEX BOLT G.5	02	02
07	0501010984	FLAT WASHER	07	07
08	0503010025	3/8" SPRING WASHER	05	05
09	0503010026	3/8" NUT	04	04
10	0501069140	LOWER ROW SUPPORT	01	01
11	0501069141	UPPER ROW SUPPORT	01	01
12	0521010482	ARTICULAT SLEEVE	08	08
13	0503011399	M16 X 1,5 X 50 BOLT	08	08
14	0501012140	FLAT WASHER	08	08
15	0503011400	M16 X 0.6" NUT	08	08
16	0521010982	SEED ROW SUST LOCK	01	01
17	0503011135	BOLT	01	01
18	0503010180	7/16" SPRING WASHER	01	01
19	0503010244	7/16" NUT	01	01
20	0501051784	16Z CHAIN TESIONER ASSY	01	01
20A	0501069207	CHAIN TENSIONER	01	01
20B	0521011181	CHAIN TENSIONER PIVOT AXLE	01	01
20C	0501069201	SLEEVE 16Z GEAR	02	02
20D	0503010291	501012 CLAMPING RING (FOR AXLE)	02	02
20E	0503012128	BALL BEARING	02	02
20F	0503031370	1.6"X 0.7"X 0.18" RH TORSION SPRING	01	01

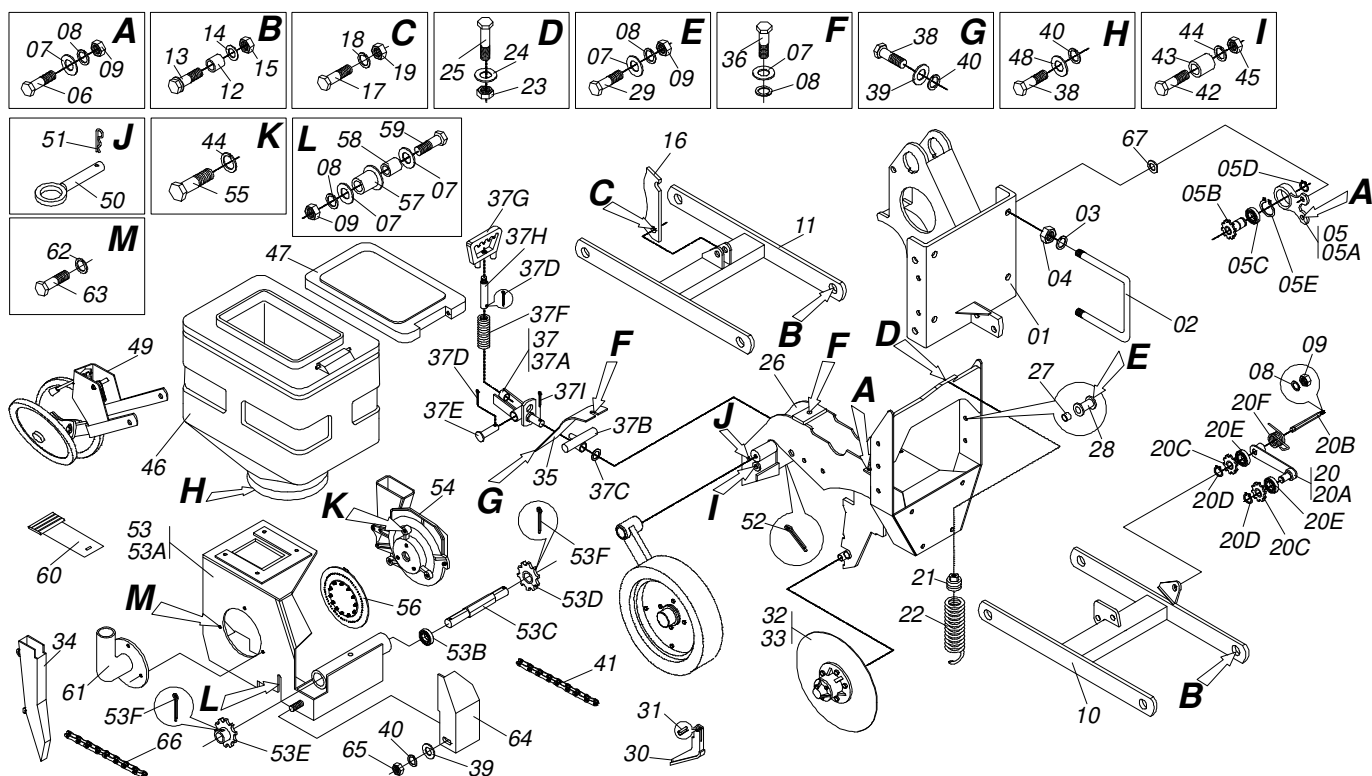


PDC PD
SEED ROW ASSY

Item	Code	Description	See page	QT
21	0502011031	SPRING UPPER HITCH		01
22	0503031389	2.11" X 8.83 X 0.39" TRACTION SPRING		01
23	0503010060	1/2" NUT		01
24	0511017302	FLAT WASHER		01
25	0503013329	1/2" UNC X 4-3/4" BOLT		01
26	0511064272	SEED ROW FRAME		01
27	0511014569	0.39" X 0.75" 1.42" BUSHING		01
28	0503030402	PULLEY		01
29	0503011268	3/8" X 2-1/2" BOLT		01
30	0502070063	SCRAPER		01
31	0503010585	0,24" X 1.18" SPRING PIN		01
32	0501051795	RIGHT 15 DISC ASSY		01
33	0501051796	LEFT 15 DISC ASSY		01
34	0503030752	BEND SOCKET		01
35	0511014702	REGULATOR PLATE		01
36	0503011087	3/8" X 1" BOLT		02
37	0501050835	SEED ROW DEPTH WHEEL REGULATOR		01
37A	0501067108	DEPTH WHEEL REGULATOR		01
37B	0501066824	DEPTH WHEEL SMALLER BEATER		01
37C	0511015976	FLAT WASHER		01
37D	0503010257	1/8" X 1" COTTERPIN		01
37E	0521010805	0.6" X 3.14" COUPLING SHAFT		01
37F	0503030975	0.9" X 1.5" X 0.1" SPRING		01
37G	0502020558	DEPTH CONTROL HANDLE		01
37H	0511014894	HANDLE AXLE		01
37I	0503010071	3/16" X 1" COTTERPIN		0
38	0503010363	5/16" X 1" BOLT		08
39	0501010694	FLAT WASHER		04
40	0503010179	LOCK WASHER		04
41	0503012138	BR-40X CHAIN X 137 LINK + MENDING		01
42	0503010547	1/2" X 4" BOLT		01
43	0521010725	0.5" X 0.7" X 2.7" SLEEVE		01
44	0503010019	1/2" SPRING WASHER		01
45	0503010060	1/2" NUT		01
46	0503031321	80 LT SEED DEP		01
47	0503031322	80 LT SEED DEP COVER		01
48	0503010357	8 X 20 X 1 FLAT WASHER		04
49	0501067775	V PRESS WHEEL FORK		01
50	0511064269	PRESS WHEEL LOCK		01
51	0503030168	CUPILLA		01
52	0503010071	3/16" X 1" COTTERPIN		01



Item	Code	Description	See page	QT
01	0501067775	V PRESS WHEEL FORK		01
02	0501067776	RIGHT PRESS WHEEL REGD		01
03	0501067777	LEFT PRESS WHEEL REGD		01
04	0521010789	0.7" X 0.7" COUPLING SHAFT		01
05	0503011404	BOLT		01
06	0501010984	FLAT WASHER		02
07	0503010025	3/8" SPRING WASHER		01
08	0503010026	3/8" NUT		01
09	0503010849	3/8" X 1-1/2" BOLT		01
10	0503031393	1.57" X 5.98" X 0.2" TRACTION SPRING		01
11	0501051776	HANDLE ADJUSTMENT LEVER		01
11A	0501069172	ADJUSTMENT LEVER		01
11B	0503030878	LEVER CRANK		01
12	0511064269	PRESS WHEEL LOCK		01
13	0503030168	CUPILLA		01
14	0503010547	1/2" X 4" BOLT		01
15	0521010725	0.5" X 0.7" X 2.7" SLEEVE		01
16	0503010019	1/2" SPRING WASHER		01
17	0503010060	1/2" NUT		01
18	0511065753	WHEEL ARM		01
19	0503011082	C1/2" X 1.3/4" SCREW		01
20	0521011110	0.7" X .5" X 0.4" SPACER		01
21	0503012136	NUT 1/2 NF		01
22	0503010131	3/16" X 1-1/2" COTTERPIN		01
23	0503031336	0.7" X 3.8" X 0.07" TRACTION SPRING		01
24	0502011124	DEPTH WHEEL ARM		01
25	0503010834	1/2 X 1 BOLT		02
26	0511017302	FLAT WASHER		02
27	0511015346	FLAT WASHER		02



Item	Code	Description	See page	QT
01	0511064267	SEED ROW LEVER FIXER	01	01
02	0541013002	5/8" UNC X 198 X 165 FASTENER	02	02
03	0503010027	5/8" SPRING WASHER	04	04
04	0503010013	5/8" NUT	04	04
05	0501055406	SEED AXLE BEARING ASSY	01	01
05A	0511065651	SEED AXLE BEARING	01	01
05B	0511065649	WHEEL TOOTH 17Z PDC S-0304	01	01
05C	0503012861	6006 2RS BALL BEARING	01	01
05D	0503010707	501030 CLAMPING RING (FOR AXLE)	02	02
05E	0503012858	502075 CLAMPING RING (FOR HOLE)	01	01
06	0503010751	C3/8" X 1.1/4" HEX BOLT G.5	02	02
07	0501010984	FLAT WASHER	09	09
08	0503010025	3/8" SPRING WASHER	06	06
09	0503010026	3/8" NUT	04	04
10	0501069140	LOWER ROW SUPPORT	01	01
11	0501069141	UPPER ROW SUPPORT	01	01
12	0521010482	ARTICULAT SLEEVE	08	08
13	0503011399	M16 X 1,5 X 50 BOLT	08	08
14	0501012140	FLAT WASHER	08	08
15	0503011400	M16 X 0.6" NUT	08	08
16	0521010982	SEED ROW SUST LOCK	01	01
17	0503011135	BOLT	01	01
18	0503010180	7/16" SPRING WASHER	01	01
19	0503010244	7/16" NUT	01	01
20	0501051784	16Z CHAIN TESIONER ASSY	01	01
20A	0501069207	CHAIN TENSIONER	01	01
20B	0521011181	CHAIN TENSIONER PIVOT AXLE	01	01
20C	0501069201	SLEEVE 16Z GEAR	02	02
20D	0503010291	501012 CLAMPING RING (FOR AXLE)	02	02
20E	0503012128	BALL BEARING	02	02
20F	0503031370	1.6"X 0.7"X 0.18" RH TORSION SPRING	01	01



SUPREMA SEED ROW ASSY

0909091121

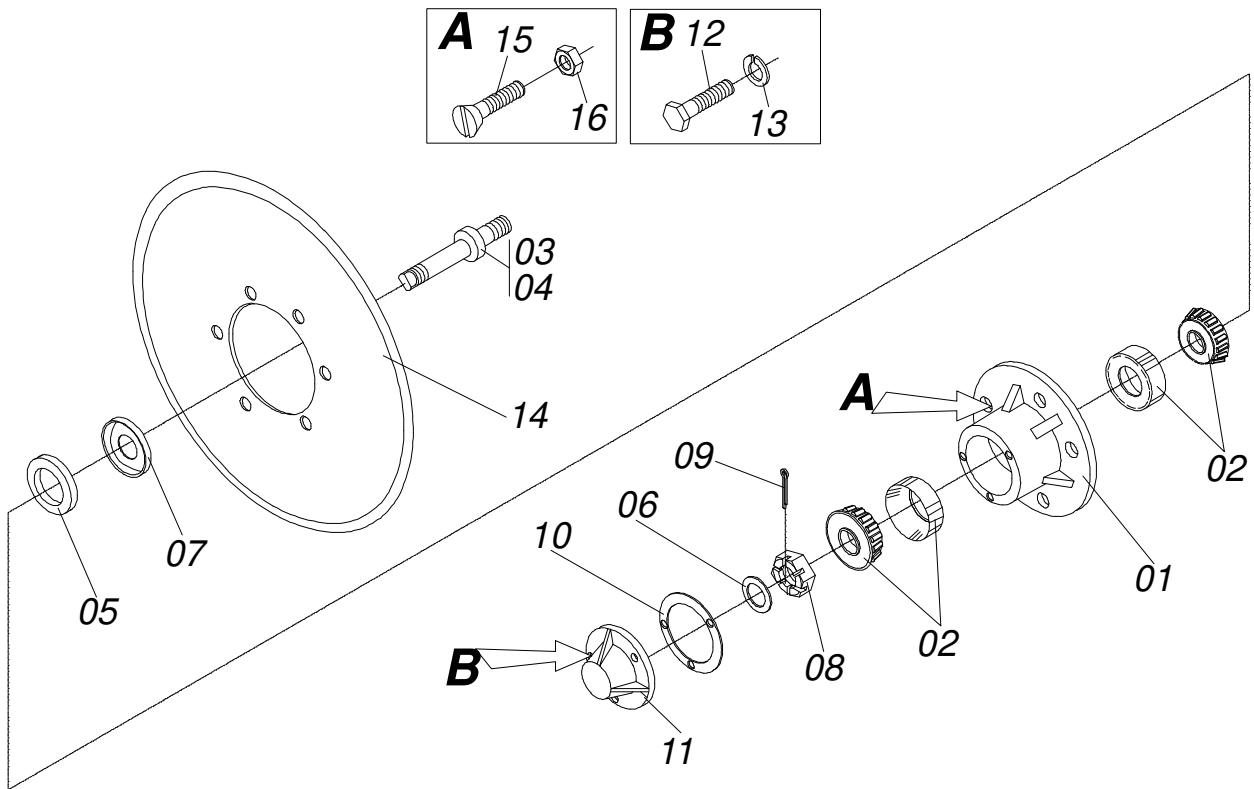
Item	Code	Description	See page	QT
21	0502011031	SPRING UPPER HITCH		01
22	0503031389	2.11" X 8.83 X 0.39" TRACTION SPRING		01
23	0503010060	1/2" NUT		01
24	0511017302	FLAT WASHER		01
25	0503013329	1/2" UNC X 4-3/4" BOLT		01
26	0511064272	SEED ROW FRAME		01
27	0511014569	0.39" X 0.75" 1.42" BUSHING		01
28	0503030402	PULLEY		01
29	0503011268	3/8" X 2-1/2" BOLT		01
30	0502070063	SCRAPER		01
31	0503010585	0,24" X 1.18" SPRING PIN		01
32	0501051795	RIGHT 15 DISC ASSY		01
33	0501051796	LEFT 15 DISC ASSY		01
34	0503030752	BEND SOCKET		01
35	0511014702	REGULATOR PLATE		01
36	0503011087	3/8" X 1" BOLT		02
37	0501050835	SEED ROW DEPTH WHEEL REGULATOR		01
37A	0501067108	DEPTH WHEEL REGULATOR		01
37B	0501066824	DEPTH WHEEL SMALLER BEATER		01
37C	0511015976	FLAT WASHER		01
37D	0503010257	1/8" X 1" COTTERPIN		01
37E	0521010805	0.6" X 3.14" COUPLING SHAFT		01
37F	0503030975	0.9" X 1.5" X 0.1" SPRING		01
37G	0502020558	DEPTH CONTROL HANDLE		01
37H	0511014894	HANDLE AXLE		01
37I	0503010071	3/16" X 1" COTTERPIN		01
38	0503010363	5/16" X 1" BOLT		08
39	0501010694	FLAT WASHER		05
40	0503010179	LOCK WASHER		05
41	0503012138	BR-40X CHAIN X 137 LINK + MENDING		01
42	0503010547	1/2" X 4" BOLT		01
43	0521010725	0.5" X 0.7" X 2.7" SLEEVE		01
44	0503010019	1/2" SPRING WASHER		04
45	0503010060	1/2" NUT		01
46	0503031321	80 LT SEED DEP		01
47	0503031322	80 LT SEED DEP COVER		01
48	0503010357	8 X 20 X 1 FLAT WASHER		04
49	0501067775	V PRESS WHEEL FORK		01
50	0511064269	PRESS WHEEL LOCK		01
51	0503030168	CUPILLA		01
52	0503010071	3/16" X 1" COTTERPIN		01
53	0501053313	SEMIFINISHED BASE		01
53A	0511062692	BASE		01
53B	0503011182	6203 ROLLER BEARING		02
53C	0531011396	5/8" X 8.14" AXLE HEX		01
53D	0511062689	15Z X 1.77 X 0.18" GEAR		01
53E	0501067738	15Z X 0.86 X 3" GEAR		01
53F	0503010071	3/16" X 1" COTTERPIN		02
54	0511042211	PNEUMATIC SEED DISTRIBUTOR	21	01
55	0503010428	M12 X 1,75 X30 BOLT		03
56	0503012727	DISC 7040 SOYBEAN		01
57	0531011405	SEED DISTR PULLEY		01
58	0531011404	0.41" X 3/4" X 1" SLEEVE		01
59	0501010096	3/8" X 2" BOLT		01
60	0503050079	SEED DISTR BOX SWITCH		01
61	0503031650	TUBE COP SUPREMA		01
62	0503010143	1/4" SPRING WASHER		03
63	0503011378	M6X1X16 C S 8.8 ZN BOLT		03
64	0531011399	SEED GEAR COVER		01



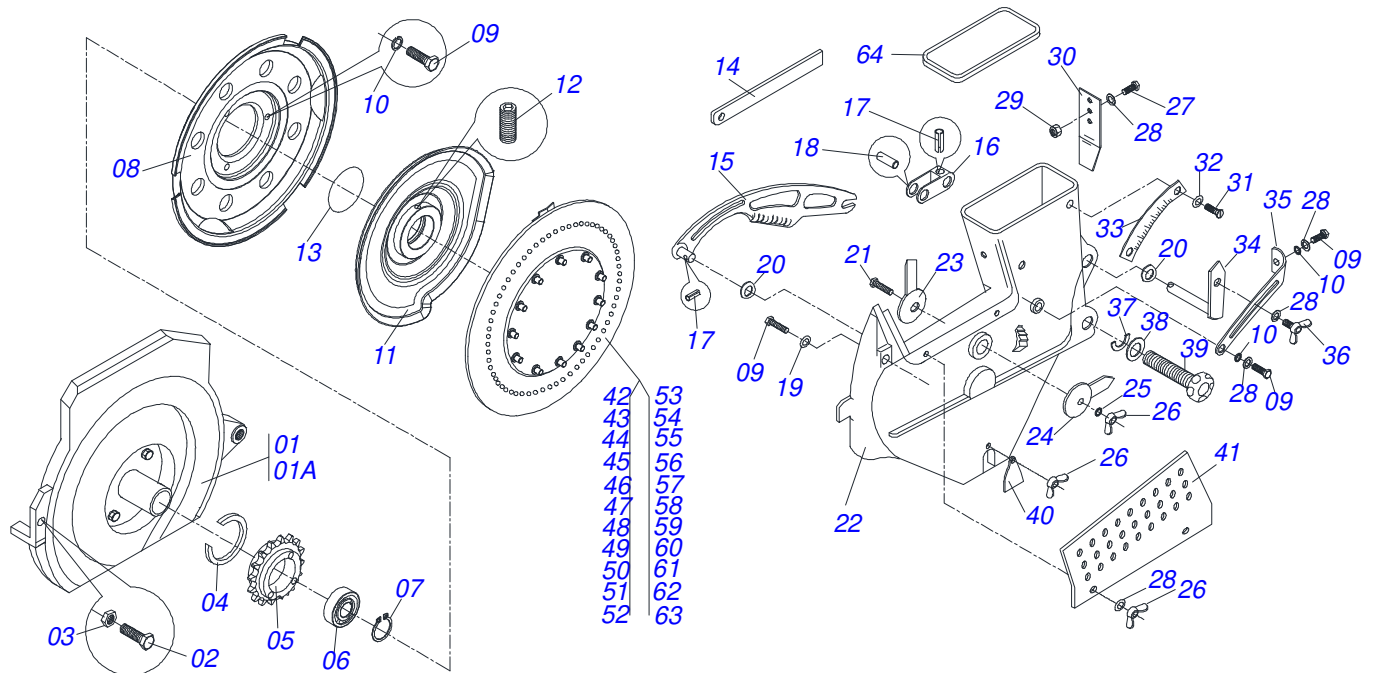
PDC PD
SUPREMA SEED ROW ASSY

Page 18
0909091121

Item	Code	Description	See page	QT
65	0503010337	5/16" NUT		01
66	0503011371	CHAIN TR-081 X 1.8" LINK + MENDING		01
67	0541013294	CROPPED WASHER		04



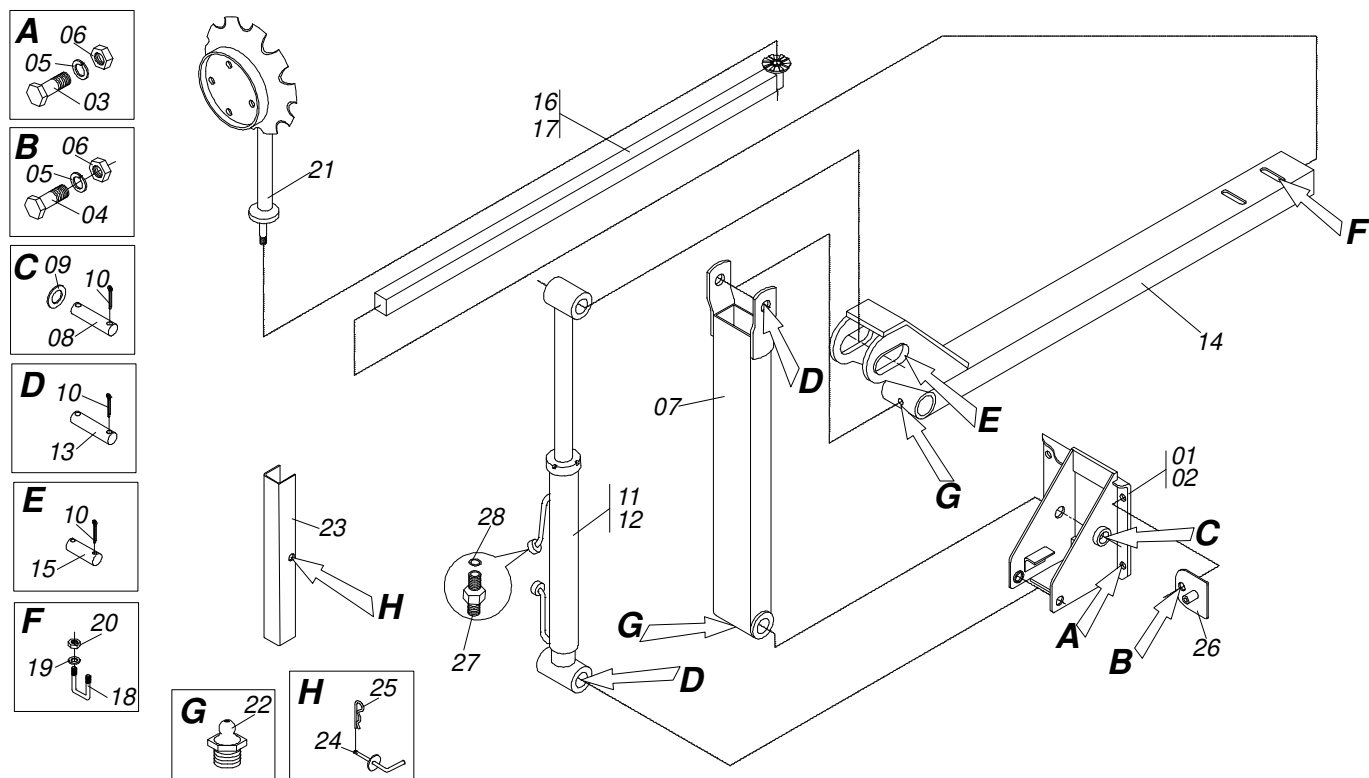
Item	Code	Description	See page	QT
00	0501051795	RIGHT 15 DISC ASSY		01
00A	0501051796	LEFT 15 DISC ASSY		01
01	0502011930	DOUBLE DISC COULTER BOX		01
02	0503010598	30204 BALL BEARING		02
03	0521011109	DDD BOX RIGHT AXLE		01
04	0521011108	DDD BOX LEFT AXLE		01
05	0503011112	SEAL 02376-BRG		01
06	0511015098	FLAT WASHER		01
07	0511011927	DUST CLOAK		01
08	0503030282	3/4" CASTLE NUT		01
09	0503010140	1/8" X 3/4" COTTERPIN		01
10	0503030757	2.9" X 2" X 0.02" JOINT		01
11	0521019178	COVER DEPTH		01
12	0503010298	1/4" X 1/2" BOLT		03
13	0503010143	1/4" SPRING WASHER		03
14	0603022042	13" X 0.12" PLAIN COULTER BLADE		01
15	0503010546	5/16" X 7/8" BOLT		06
16	0503010337	5/16" NUT		06



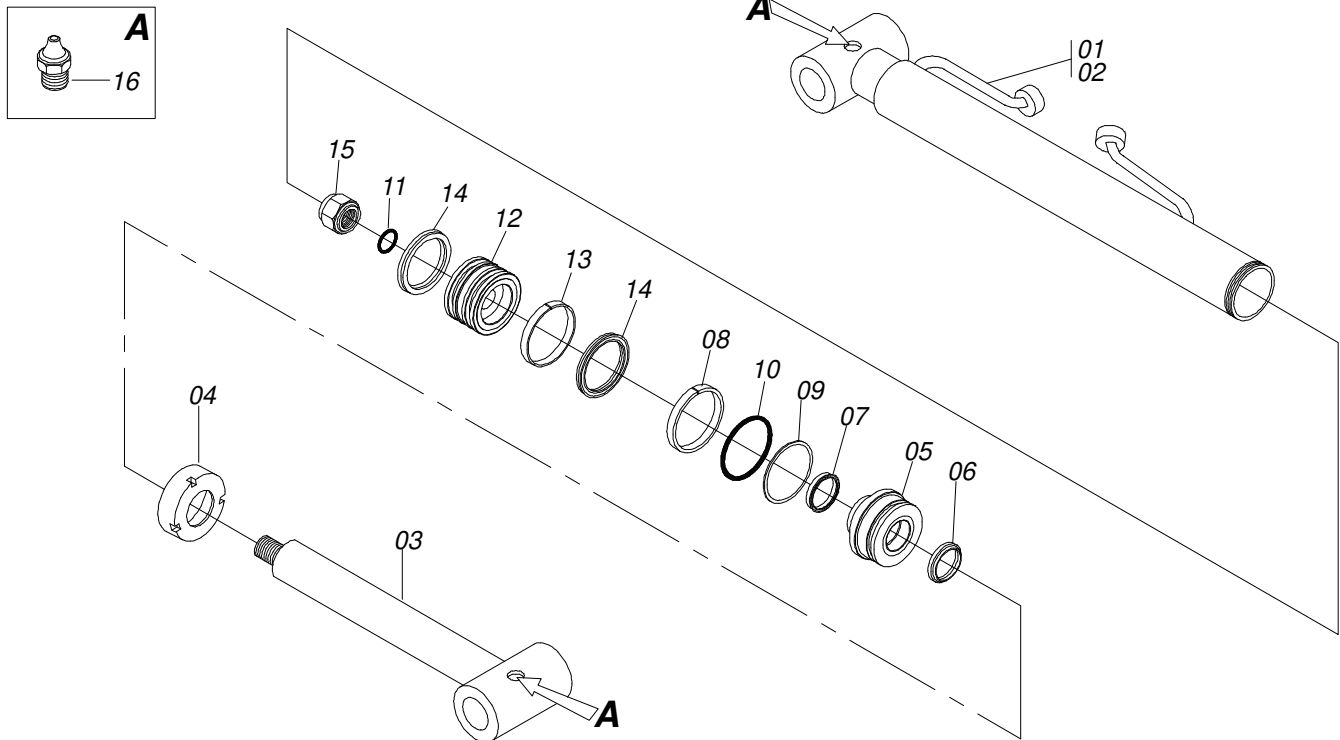
Item	Code	Description	See page	QT
01	0501110393	DISTRIBUTOR MINOR SIDE ASSY		01
01A	0502012217	MINOR SIDE		01
02	0503011295	M 8 X 1,25 X 25 BOLT		01
03	0503010427	METRIC M8 X P.0.5" NUT		01
04	0503011770	SEAL # V-75 A		01
05	0501067722	26Z GEAR WITH BUSHING		01
06	0503011771	6008 2RS BALL BEARING		01
07	0503010217	501040 CLAMPING RING (FOR AXLE)		01
08	0502050028	DISC SUPPORT		01
09	0503011378	M6X1X16 C S 8.8 ZN BOLT		06
10	0503010143	1/4" SPRING WASHER		06
11	0503033153	PNEUMATIC SWITCH		01
12	0503011769	M8 X 0.5" BOLT		01
13	0503012849	2-129 N 3006 9B O'RING		01
14	0511015627	SEED DISC LEVER		01
15	0503011817	UPPER SELECTOR		01
16	0502020559	UPPER SELECTOR ACTUATOR		01
17	0503011823	0.1" X 0.6" SPRING PIN		02
18	0531014481	0.2" X 0.6" AXLE		01
19	0503011821	CRINKLE WASHER		01
20	0503011820	CRINKLE WASHER		02
21	0503011813	M6 X 1.2" BOLT		01
22	0502012228	LARGE SIDE		01
23	0501110311	LOWER SELECTOR ASSY		01
24	0511016220	LOWER SELECTOR INDICATOR		01
25	0503011815	TOOTHED WASHER		01
26	0503012445	M6 C/ABA 1.20" BUTTERFLY NUT		04
27	0503011812	BOLT M6 X 1 X 12 CS 8.8 ZN		01
28	0511017303	FLAT WASHER		04
29	0503011776	M6 SELF ADJUSTINGNUT		01
30	0511017186	SEED LEVEL REGULATOR		01

PNEUMATIC SEED DISTRIBUTOR

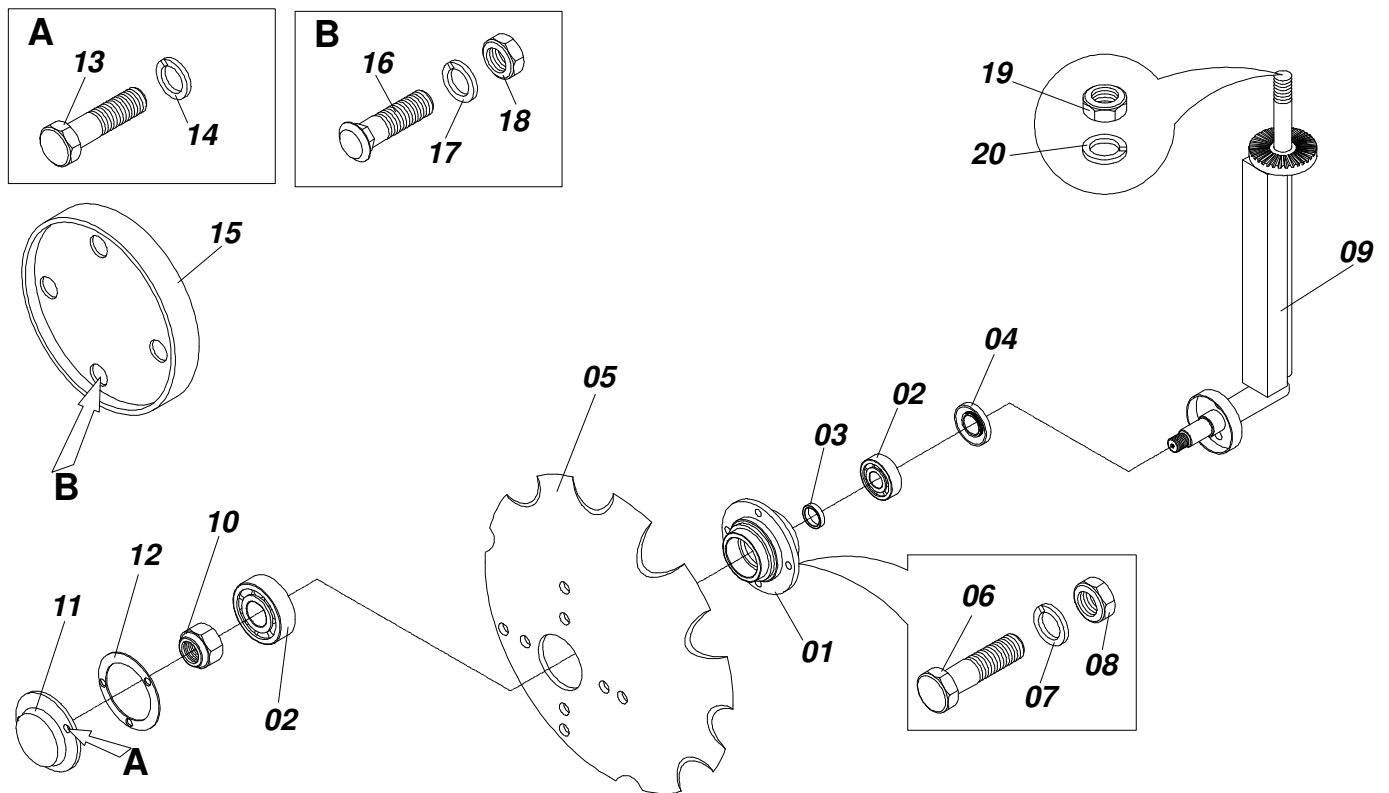
Item	Code	Description	See page	QT
31	0503011825	M4 X 8" BOLT		02
32	0503011828	FLAT WASHER		02
33	0503031058	UPPER SELECTOR SCALE		01
34	0501067818	SCALE INDICATOR WITH PIN		01
35	0511017219	SCALE INDICATOR GUIDE		01
36	0503011810	M6 X 1" BUTTERFLY BOLT		01
37	0503011827	504.100 CLAMPING RING (FOR HOLE)		01
38	0503011828	FLAT WASHER		01
39	0503011809	M12 KNOB		01
40	0503013020	SEED DRAINER COVER		01
41	0503013179	PNEUMATIC SEED DISTRIBUTOR VISOR		01
42	0503011511	DISC 3245 OF THE SMALL CORN		01
43	0503011512	DISC 3255 LARGE CORN		01
44	0503011454	DISC 6445 LARGE SOYBEAN		01
45	0503011455	DISC 6450 LARGE SOYBEAN		01
46	0503011513	DISC 6430 SMALL SOYBEAN/COTTON		01
47	0503011437	DISC 6420 SORGHUM		01
48	0503011456	DISC 4820 SORGHUM		01
49	0503011391	DISC 3230 SUNFLOWER		01
50	0503011436	DISC 4845 MIDDLE BEAN		01
51	0503011392	DISC 4855 GREAT BEAN		01
52	0503011717	DISC 4835 DELINTED COTTON / BEAN		01
53	0503012574	DISC 6460 PEANUT P18 A 26		01
54	0503011889	DISC 7512 TOMATO		01
55	0503012576	DISC 3660 CORN		01
56	0503012577	DISC 3650 MIDDLE CORN		01
57	0503012578	DISC 3645 CORN		01
58	0503012579	DISC 3630 SUNFLOWER		01
59	0503012580	DISC 8440 MIDDLE SOYBEAN		01
60	0503012581	DISC 8045 LARGE SOYBEAN		01
61	0503012582	DISC 18016 RICE		01
62	0503012860	DISC 3240 POPCORN		01
63	0503012728	DISC WITHOUT HOLE		01
64	0503031660	SEED DISTRIBUTOR RUBBER BACKING		01



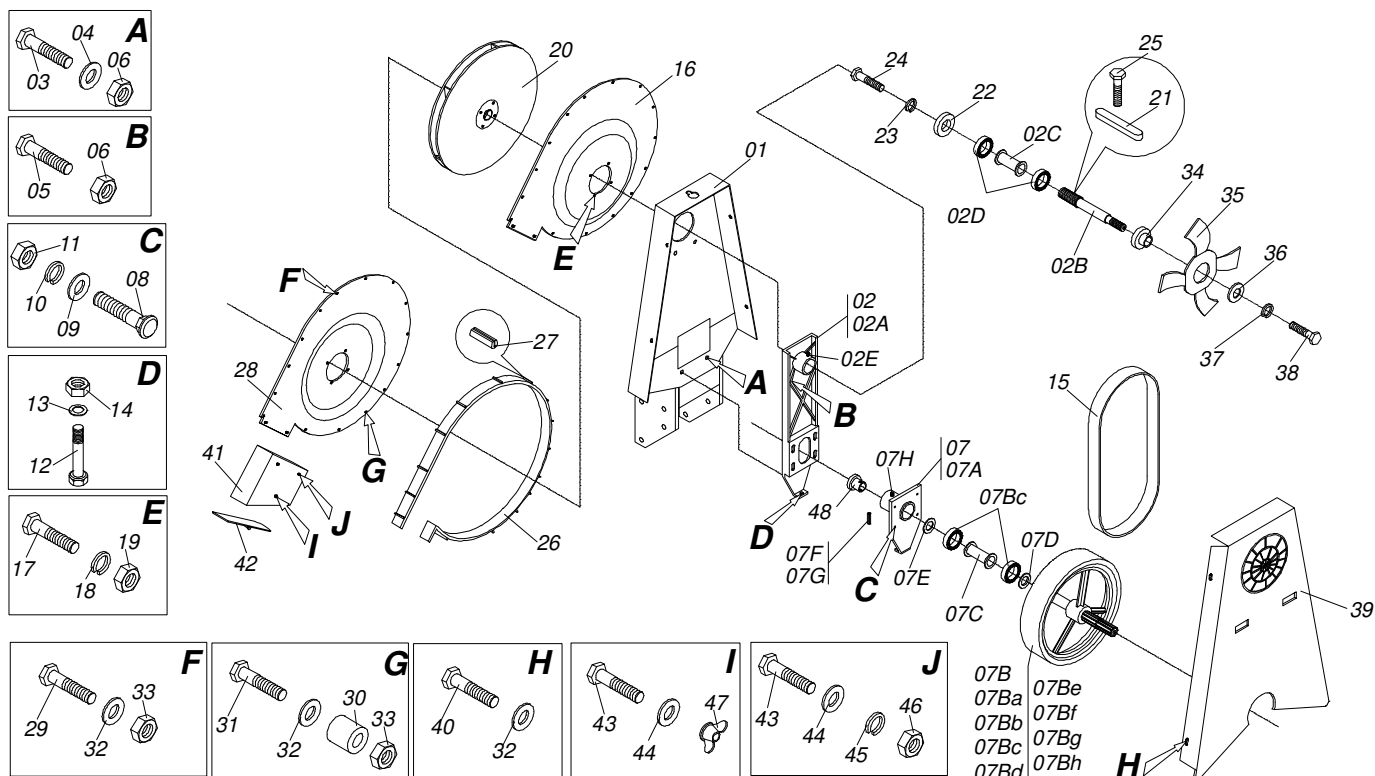
Item	Code	Description	See page	QT
01	0511065719	ROW MARK RIGHT SUPPORT		01
02	0511065752	ROW MARK LEFT SUPPORT		01
03	0501010098	3/4" UNC BOLT		06
04	0501010125	3/4" X 2-1/2" BOLT		02
05	0503010023	3/4" SPRING WASHER		08
06	0503010014	3/4" NUT		08
07	0511060013	ROW MARKER ARM		02
08	0521013347	1.1/4" X 8.4" AXLE		02
09	0501019435	32 X 50 X 1.5 FLAT WASHER		02
10	0503010523	1/4" X 2" COTTERPIN		16
11	0501045149	1.5"X2.5"X30"X18"RH HYDRAULIC CYLINDER		01
12	0501046485	1.5"X 2.5"X 30"X 18"LEFT HYDRAULIC CYLINDER		01
13	0521011142	1.1/4" X 7.5" AXLE		04
14	0511060014	ROW MARKER ARM		02
15	0521011141	1.1/4" X 6.5" AXLE		02
16	0511060010	1400 TURNBUCKLE		02
17	0511060011	2000 TURNBUCKLE		02
18	0521012324	1/2" X 3.2" X 2.54" FASTENER		04
19	0511017302	FLAT WASHER		08
20	0503010060	1/2" NUT		08
21	0501053840	ROW MARKER DISC	24	02
22	0503010002	1800 GREASE FITTING		04
23	0511015573	2.07" X 1.6" TRANSPORT LOCK		02
24	0501068994	0.3" X 3.1" LOCK PIN		02
25	0503030168	CUPILLA		02
26	0501069629	TRANSP LOCK SUPPORT		02
27	0503030923	3/4" UNF X 13/16 UN OFS X 40 NIPPLE		04
28	0503011030	2-014 N 3006-9B O'RING		04



Item	Code	Description	See page	QT
00	0501045149	1.5"X2.5"X30"X18"RH HYDRAULICCYLINDER		01
00A	0501046485	1.5"X 2.5"X 30"X 18"LEFT HYDRAULIC CYLINDER		01
01	0501067104	2.5" X 25" CYLINDER CASE		01
02	0501067700	2.5" X 25" CYLINDER CASE		01
03	0501069883	26.5" X 1.5" H CYLINDER TURNBUCKLE		01
04	0502010471	MOBILE COVER		01
05	0502010780	RING SUPPORT		01
06	0503010163	D-1500 SCRAPER RING		01
07	0503010989	1870-1500-375-B GASKET		01
08	0503010970	W1-1650-500 PK O'RING G.E		01
09	0503011058	8-330 BACK-UP RING		01
10	0503010161	2-330 N 3006 9B O'RING		01
11	0503010042	2-214 N 3006-9B O'RING		01
12	0502010783	1.5" X 2.5" PISTON		01
13	0503010973	W2-2500-500 PK O'RING G.E		01
14	0503010160	2500 2000 GASKET		02
15	0503010063	1" SELF-ALIGNING NUT		01
16	0503010002	1800 GREASE FITTING		02
17	0501032666	HYDRAULIC CYLINDER REPAIR KIT		01



Item	Code	Description	See page	QT
01	0502012077	MARKER ARM DISC HUB		01
02	0503010598	30204 BALL BEARING		02
03	0503011112	SEAL 02376-BRG		01
04	0503011105	SEAL RING		01
05	0602023094	DR16X3 C36AFPAFR73+4FR+4FR D474 10R		01
06	0503010358	5/16" X 5/8" BOLT		04
07	0503010179	LOCK WASHER		04
08	0503010337	5/16" NUT		04
09	0511063375	ROW MARKER DISC AXLE		01
10	0503010878	5/8" SELF ALIGNING NUT		01
11	0521019178	COVER DEPTH		01
12	0503030757	2.9" X 2" X 0.02" JOINT		01
13	0503013758	1/4" X 1-1/2" BOLT		03
14	0503011441	SPRING WASHER		03
15	0501069226	ROW MARKER ROD STOP		01
16	0501011778	3/8" X 2-1/2" BOLT		04
17	0503010025	3/8" SPRING WASHER		04
18	0503010026	3/8" NUT		04
19	0503010023	3/4" SPRING WASHER		01
20	0503010014	3/4" NUT		01

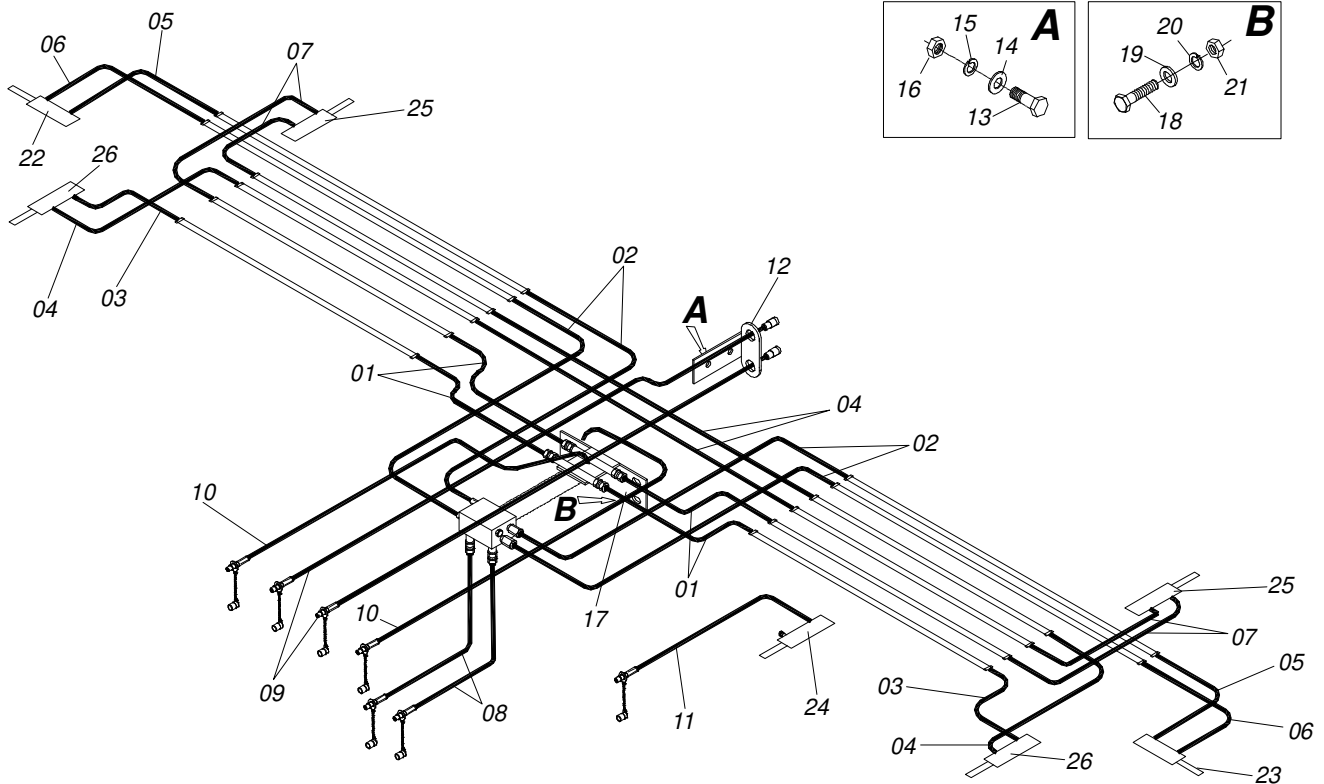


Item	Code	Description	See page	QT
01	0511064922	TURBINE SUPPORT	01	01
02	0501053716	BEARING ASSY OF THE LARGER FAN	01	01
02A	0502012016	CHAIN TENSIONER SUPPOT	01	01
02B	0503012778	MIDDLE LARGER AXLE	01	01
02C	0531010881	INTERMEDIARY UPPER SLEEVE	01	01
02D	0503012689	6306 DDU BEARING	02	02
02E	0503010325	VCA-118 VALVE	01	01
03	0503010920	1/2" X 1.1/2" BOLT	02	02
04	0511017302	FLAT WASHER	02	02
05	0503010395	1/2" X 1-1/4" BOLT	02	02
06	0503011336	1/2" HEX SELF ADJUSTING NUT	04	04
07	0501053886	PULLEY ASSY WITH FREE ROT	01	01
07A	0502012020	PULLEY HOUSING BEARING	01	01
07B	0501053888	TURBINE PULLEY ASSY	01	01
07Ba	0502012055	TURBINE PULLEY ASSY	01	01
07Bb	0503031732	RATCHET TURBINE PULLEY AXLE	01	01
07Bc	0503011081	6207 2RS BEARING	04	04
07Bd	0531014520	WASHER RATCHET	01	01
07Be	0503030051	0.2" X 1" X 0.1" COMPRESSION SPRING	06	06
07Bf	0501010649	RATCHET CLICK	03	03
07Bg	0503031731	RATCHET PULLEY TURBINE	01	01
07Bh	0503012950	5/16" X 2-1/2" BOLT	03	03
07C	0531014518	INTERMEDIARY LOWER BUSHING BEARING	01	01
07D	0531014519	FLAT WASHER	01	01
07E	0531014527	FLAT WASHER	01	01
07F	0503010301	0.3" X 1.8" SPRING PIN	01	01
07G	0503011855	0.2" X 1.8" SPRING PIN	01	01
07H	0503010325	VCA-118 VALVE	01	01
08	0501010711	1/2" X 1-5/8" BOLT	04	04
09	0521018517	FLAT WASHER	04	04
10	0503010019	1/2" SPRING WASHER	04	04

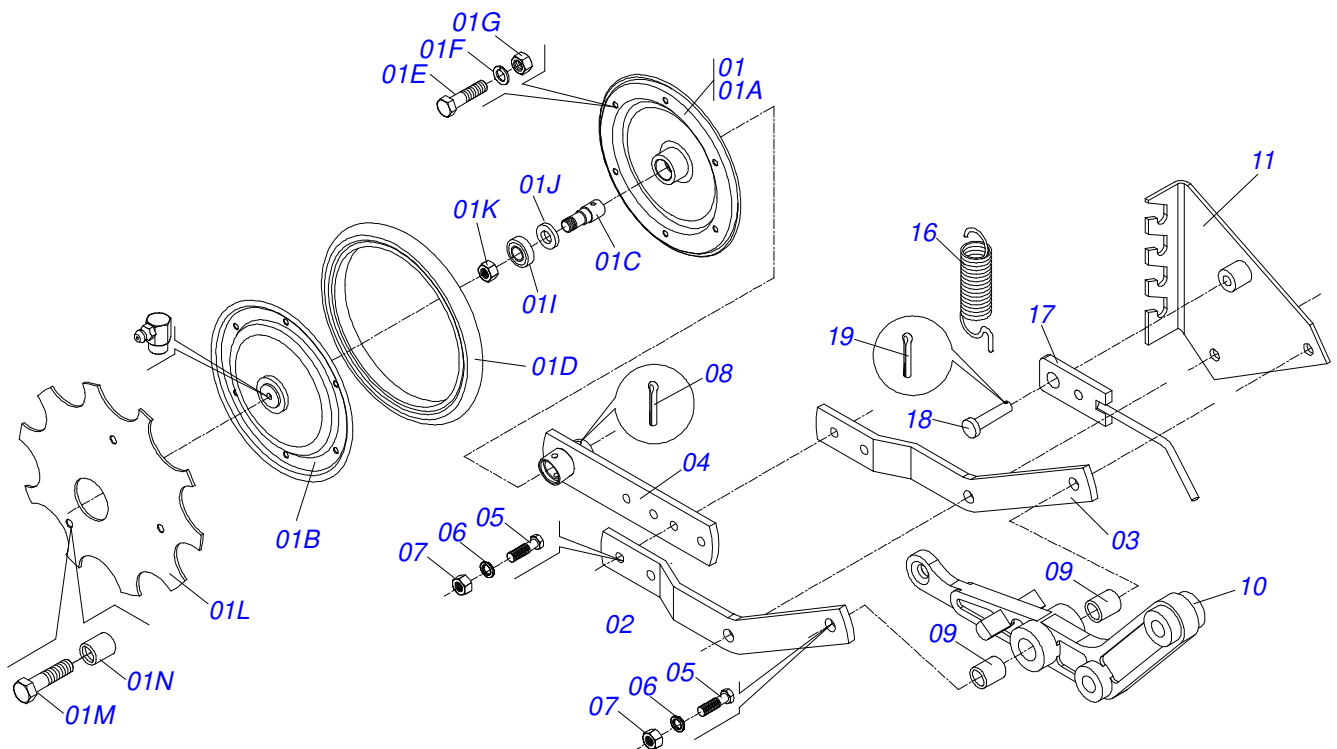


PDC PD
CARDAN TURBINE

Item	Code	Description	See page	QT
11	0503010020	1/2"NUT		04
12	0503013030	5/8" X 3.1/4" BOLT		01
13	0501012140	FLAT WASHER		01
14	0503010013	5/8" NUT		01
15	0503012780	LARGER TURBINE BELT		01
16	0531017194	FRONT COVER		01
17	0503010751	C3/8" X 1.1/4" HEX BOLT G.5		04
18	0503010025	3/8" SPRING WASHER		04
19	0503010026	3/8" NUT		04
20	0511040440	17.3" MIDDLE FAN		01
20A	0502011889	MIDDLE LARGER CENTER		01
20B	0503012651	M6 X 1" BOLT		06
20C	0503010143	1/4" SPRING WASHER		06
20D	0503011776	M6 SELF ADJUSTINGNUT		06
21	0503011775	6 X 6 X 35 KEYWAY		01
22	0503011774	PULLEY		01
23	0503010179	LOCK WASHER		01
24	0503011257	M 8 X 1,25 X 30 BOLT		01
25	0503011807	SCREW M8 X 1,25X10		01
26	0501054272	RIBBON FOR COVER CLOSING ASSY		01
27	0503031776	TURBINE RIBBON SEAL		02
28	0501110412	CENTER CONEC REAR COVER		01
29	0503013031	1/4" X 3.1/4" BOLT		15
30	0521011316	0.4" X 0.5" X 0.6" SLEEVE		02
31	0503012721	1/4" X 4" BOLT		02
32	0511017303	FLAT WASHER		38
33	0503012880	1/4" UNC SELF ADJUSTING NUT		17
34	0531010771	WASHER GUIDE		01
35	0531010757	TURBINE FAN		01
36	0531010770	FLAT WASHER		01
37	0503010179	LOCK WASHER		01
38	0503011429	M 8 X 1,25 X 40 BOLT		01
39	0531012760	TURBINE REAR COVER		01
40	0503010298	1/4" X 1/2" BOLT		04
41	0511064904	TURBINE OUTPUT SOCKET		01
42	0511064905	DEFLECTOR COVER		01
43	0503013096	5/16" X 4" BOLT		03
44	0501010694	FLAT WASHER		03
45	0503010179	LOCK WASHER		03
46	0503010337	5/16" NUT		02
47	0503010499	5/16" UNC BUTTERFLY NUT		01
48	0531015571	CARDAN SLEEVE HITCH		01



Item	Code	Description	See page	QT
01	0501080581	3/8" X 350 TR-TR HOSE ASSY		04
02	0501080547	3/8" X 450 TR-TR HOSE ASSY		04
03	0501080608	3/8" X 850 TR-TR HOSE ASSY		02
04	0501080609	3/8" X 39.37" TR-TR HOSE ASSY		04
05	0501080574	3/8" X 1100 TR-TC HOSE ASSY		02
06	0501080610	3/8" X 1200 TR-TC HOSE ASSY		02
07	0501080544	3/8" X 2500 TR-TR HOSE ASSY		04
08	0501080562	3/8" X 4500 TR-TR HOSE ASSY		02
09	0501080929	3/8" X 5300 TM-TM HOSE ASSY		02
10	0501080876	3/8" X 5000 TC-TM HOSE ASSY		02
11	0501080664	3/8" X 188.98" TC-TM HOSE ASSY		01
12	0541013193	QUICK COUPLING SUPPORT		01
13	0503010751	C3/8" X 1.1/4" HEX BOLT G.5		02
14	0501010984	FLAT WASHER		02
15	0503010025	3/8" SPRING WASHER		02
16	0503010026	3/8" NUT		02
17	0511065774	SEQ. VALV SUPPORT		01
18	0503010178	5/16" X 7/8" BOLT		04
19	0501010694	FLAT WASHER		04
20	0503010179	LOCK WASHER		04
21	0503010337	5/16" NUT		04
22	0501045149	1.5"X2.5"X30"X18"RH HYDRAULICCYLINDER		01
23	0501046485	1.5" X 2.5"X 30"X 18"LEFT HYDRAULIC CYLINDER		01
24	0511042762	HYDRAULIC CYLINDER 38,10X63,50X515X193	4	01
25	0511042821	HYDRAULIC CYLINDER 44,45X85,7X686X203 BP	4	02
26	0501048229	HYDRAULIC CYLINDER 53,98 X 101,6 X 683 X 206	9	02



Item	Code	Description	See page	DIR ESQ
01	0501051005	COMPACTOR WHEEL WITH DISC		01 01
01A	0511065018	PRESS WHEEL RIM		01 01
01B	0501068827	PRESS RIM SEMI		01 01
01C	0541010382	PRESS AXLE WHEELS		01 01
01D	0503031421	DEPTH CONTROL WHEEL RUBBER BAND		01 01
01E	0503010011	5/16" X 1/2" BOLT		03 03
01F	0503010179	LOCK WASHER		06 06
01G	0503010337	5/16" NUT		06 06
01H	0503010691	1/4" GREASE FITTING		01 01
01I	0503011763	6203 BALL BEARING		02 02
01J	0503010272	SEAL 00715-BA		01 01
01K	0503012136	NUT 1/2 NF		01 01
01L	0602021014	14" X 0,2 PLAIN COULTER BLADE		01 01
01M	0503010365	NUT		03 03
01N	0511014024	10 X 13 X 15,5 SLEEVE		03 03
02	0501013798	LEFT ARM		01
03	0501013799	RIGHT ARM		01
04	0501066945	COMPACTOR WHEEL FIXER		01 01
05	0501010080	3/8" BOLT		02 02
06	0503010025	3/8" SPRING WASHER		02 02
07	0503010026	3/8" NUT		02 02
08	0503010584	1/4" X 1" COTTERPIN		02 02
09	0521010724	0.5" X 0.7" X 1.9" SLEEVE		02 02
10	0502011093	PRESS WHEEL SUPPORT		01 01
11	0501066947	COMPACTOR WHEEL FIXER		01
12	0501066946	RIGHT REGULATOR PLATE		01
13	0503010752	1/2" X 3.1/2" BOLT		02 02
14	0503010019	1/2" SPRING WASHER		02 02
15	0503010060	1/2" NUT		02 02
16	0503030805	1.6" X 6" X 0.2 TRACTION SPRING		01 01
17	0501068980	AJUSTER RATCHET		01 01



PDC PD
PRESS WHEEL DISC

Page 26
0909093286

Item	Code	Description	See page	DIR ESQ
18	0521010625	0.4" X 2" COUPLING SHAFT		01 01
19	0503010257	1/8" X 1" COTTERPIN		01 01



MARCHESAN

Technical Publications | Elaboration and Revision

ALESSANDRA PATRICIA KAWAHARA CARRILI

www.marchesan.com.br

