

PARTS CATALOG

AGRICULTURAL FRONT LOADER

PCA MF 600/800 S-0503

Code: 0501090559



Series: S-0503

Review: MAIO/03

ORIGINAL PARTS
TATU

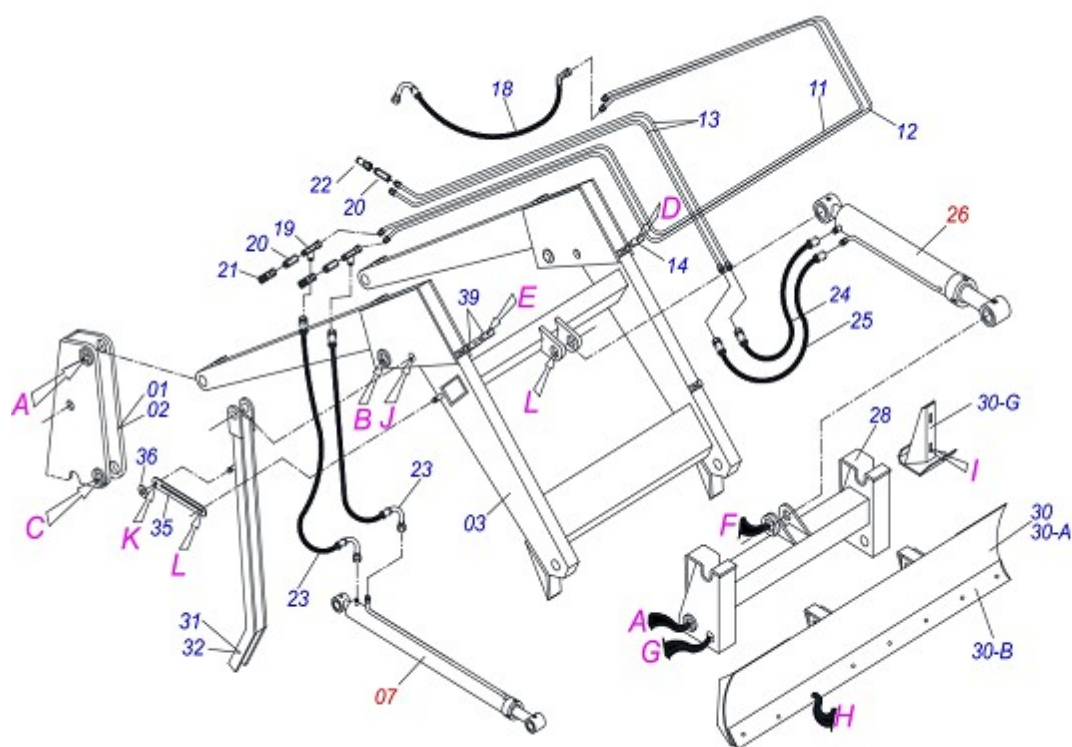


INDEX

0909090283	600 MOBILE SUPPORT SHT S-0198	1
0909090311	PCA 600 MF 275-4/283-4/290-4 TC	2
0511040627	1.7" X 3" X 26" X 16" HYDRAULIC CYLINDER	3
0511040310	1.7" X 3" X 32" X 22" HYDRAULIC CYLINDER	4
0909090285	GSA 600	5
0501047447	1.5 X 2.5 X 16" X 9" HYDRAULIC CYLINDER	6
0501048740	SAE COMPLETE FOR PCA 600/800/1100	7
0501048741	SAB COMPLETE FOR PCA 600/800/1100	8
0909094380	AGRICULTURAL FRONT LOADER 800	9
0909094381	PCA 800 MF 292-4 BT CD	10

ATTENTION: **IMPORTANT**

MARCHESAN RESERVES THE RIGHT AT ANY TIME TO MAKE IMPROVEMENTS IN THE DESIGN, MATERIAL OR SPECIFICATIONS OF MACHINERY, EQUIPMENT OR PARTS WITHOUT THEREBY BECOMING LIABLE TO MAKE SIMILAR CHANGES IN MACHINERY, EQUIPMENT OR PARTS PREVIOUSLY SOLD.



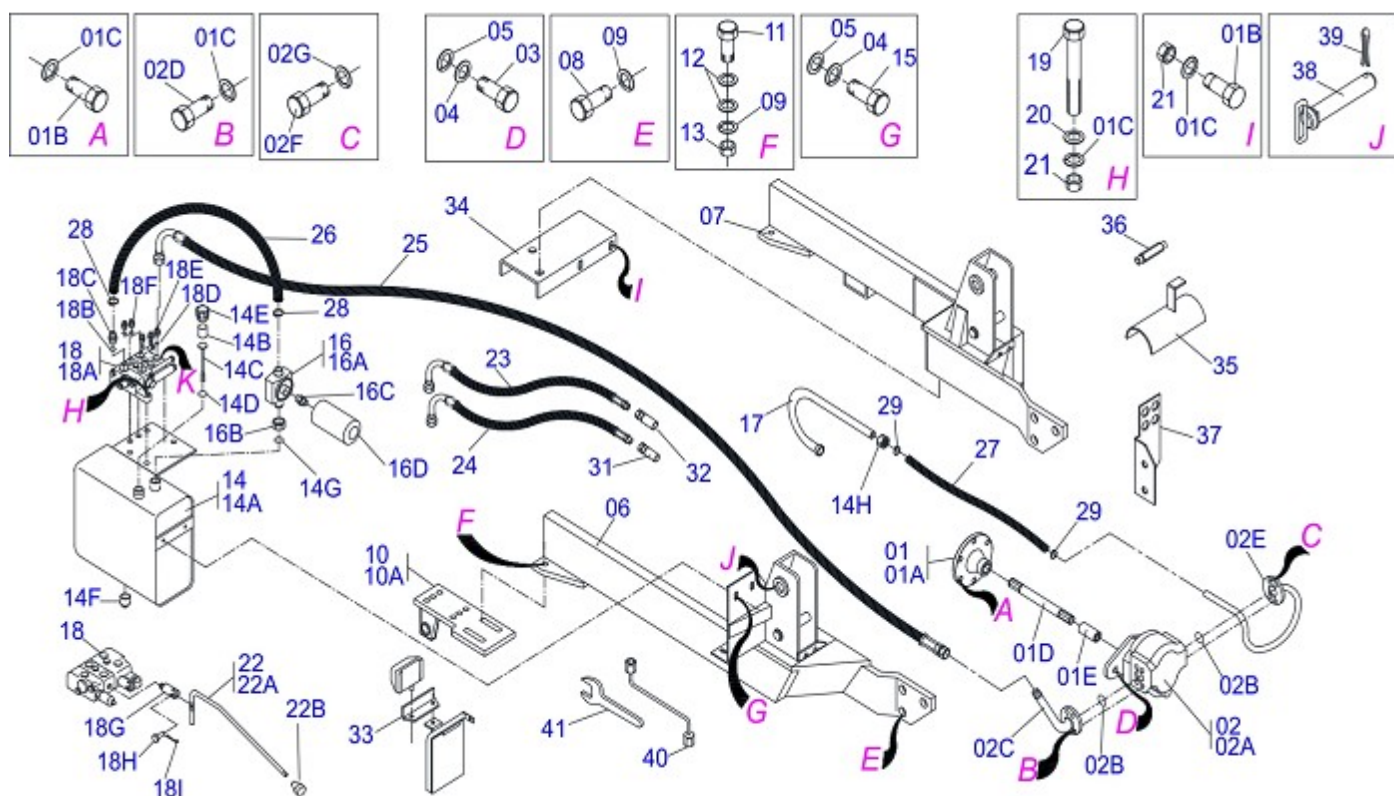
Item	Code	Description	
01	0501068600	MOBILE TOWER, RIGHT	01
02	0501068601	MOBILE TOWER, LEFT	01
03	0501068663	MOBILE SUPPORT	01
04	0511019519	1.5" X 1.4" PIVOT SHAFT	04
05	0511019685	FLAT WASHER	02
06	0503010534	3/8" X 2-1/2" COTTERPIN	02
07	0503010002	GREASE FITTING	02
08	0511040310	1.7" X 3" X 32" X 22" HYDRAULIC CYLINDER	02
09	0521010904	1.5" X 1.4" PIVOT SHAFT	02
10	0511019520	1.5" X 1.4" PIVOT SHAFT	02
11	0501068621	INNER OIL TUBE	01
12	0501068622	OUTER OIL TUBE	01
13	0511061632	UPPER OIL TUBE	02
14	0531011180	UPPER CLAMP BODY	03
15	0501010080	3/8" X 1-1/2" BOLT	03
16	0503010025	3/8" SPRING WHASHER	06
17	0501010096	3/8" X 2" BOLT	03
18	0501080688	3/8" X 25" TC-TC 90G HOSE	02
19	0503011968	"T" ADAPTOR WITH GIRAT NUT 3/8	02
20	0511019876	1/2" NIPPLE	02
21	0501053835	FEMALE QUICK COUPLER	02
22	0501053834	QUICK CONECTION (MALE) 1/2NPT	02
23	0501080599	3/8" X 25" TC-TR HOSE	02
24	0501080635	HOSE 3/8 X 500 TR TR	01
25	0501080709	3/8" X 21.6" TR-TR HOSE	01
26	0511040627	1.7" X 3" X 26" X 16" HYDRAULIC CYLINDER	01
27	0511019521	1.5" X 1.4" PIVOT SHAFT	02
28	0501068598	JOINT SUPPORT	01
29	0501069447	1.5" X 1.4" PIVOT SHAFT	02
30	0501047456	2400MM DOZER BLADE ASSY FOR PCA 600	01
30A	0501068592	2400MM DOZER BLADE	01
30B	0622360016	94.5" SCRAPER REVERSIBLE	01
30C	0501012240	5/8" X 2-1/2" BOLT	08



600 MOBILE SUPPORT SHT S-0198

0909090283

Item	Code	Description	
30D	0501012140	FLAT WASHER	08
30E	0503011445	5/8" SPRING WASHER	08
30F	0503010013	5/8" NUT	08
30G	0501063411	ESTABILIZER BRACKET	02
30H	0501010571	3/4 NC X 3/4 NF X 56 PRISONER	04
30I	0501010322	FLAT WASHER	04
30J	0503010335	3/4" NUT	04
31	0501068595	RIGHT PLOUGH SUPPORT	01
32	0501068599	LEFT PLOUGH SUPPORT	01
33	0511013598	3/4" X 4.7" COUPLING SHAFT	02
34	0503010131	3/16" X 1-1/2" COTTERPIN	06
35	0511019634	CONTROL LOCK	02
36	0511017302	FLAT WASHER	06
37	0503010918	1/2" UNC BUTTERFLY NUT	02
38	0503030430	7/16 X 2" PIN LOCK	02
39	0502010477	UPPER CLAMP BODY	06
40	0521010514		



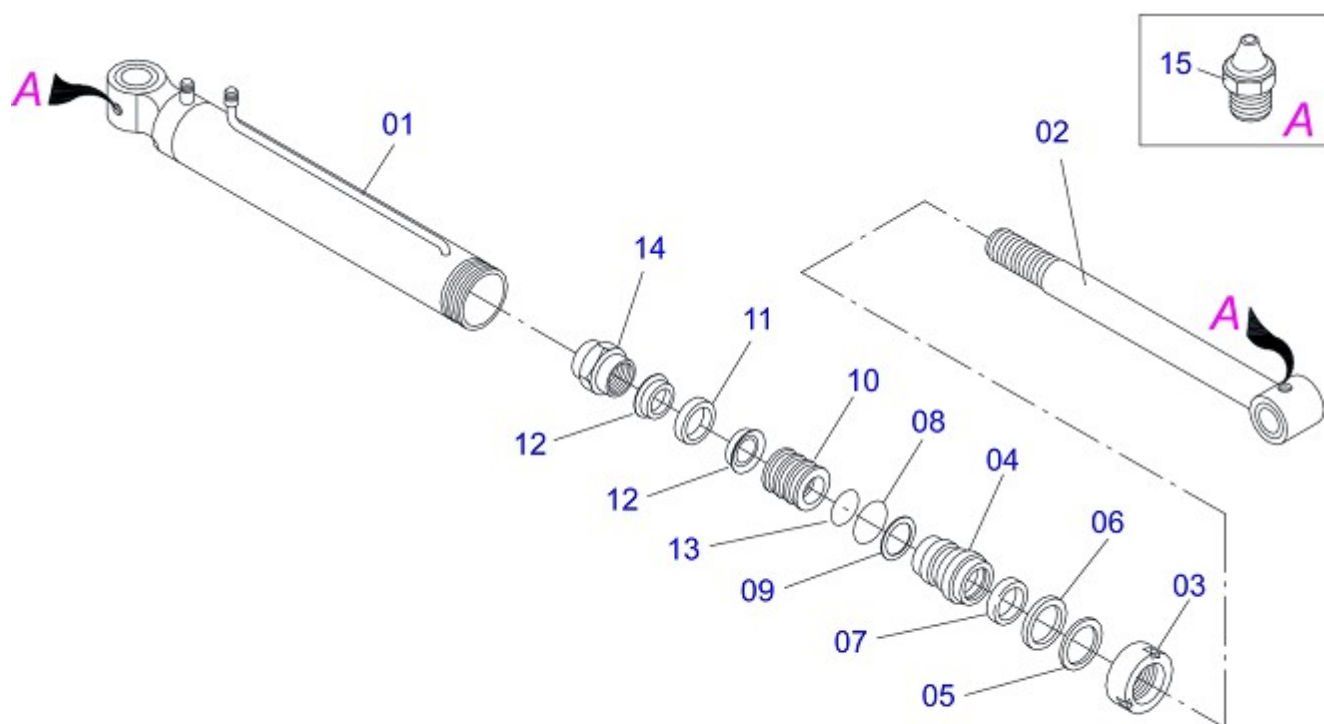
Item	Code	Description	QT
01	0501040590	COUPLING ASSY	01
01A	0503050003	COUPLING FLANGE	01
01B	0503010751	3/8" X 1.1/4" HEX BOLT G.5	10
01C	0503010025	3/8" SPRING WHASHER	17
01D	0501068938	15" X 1.1/8 AXLE STRIATED	01
01E	0503030838	1-1/8" X 2.4" SLEEVE	01
02	0501052129	PUMP WITH TUBE	01
02A	0503060045	40L 1/2" PUMP	01
02B	0503010173	2-220 N 3006-9B O'RING	02
02C	0501069661	PUMP PRESSURE TUBE	01
02D	0503010237	3/8" X 1" HEX BOLT G5	04
02E	0501069536	PUMP SUCTION TUBE	01
02F	0503010355	7/16" X 1" BOLT	04
02G	0503010180	7/16" SPRING WASHER	04
03	0503010920	1/2" X 1.1/2" BOLT	02
04	0503010019	1/2" SPRING WASHER	06
05	0511017302	FLAT WASHER	06
06	0511060461	RIGHT FRAME	01
07	0511060463	LEFT FRAME	01
08	0501010098	3/4" X 2" BOLT	06
09	0503010023	3/4" SPRING WASHER	10
10	0501068759	FRAME BRACKET	01
10A	0501068760	FRAME BRACKET	01
11	0501010500	3/4" X 3" BOLT	04
12	0501010322	FLAT WASHER	08
13	0503010014	3/4" NUT	04
14	0501047575	RESERVOIR OIL ASSY	01
14A	0501068685	RESERVOIR OIL	01
14B	0503030044	FILTERING ELEMENT	01
14C	0501060975	OIL GAGE	01
14D	0503010185	2-221 N 3006-9B O'RING	01
14E	0502020472	TANK COVER BODY	01
14F	0503031604	1/2" BSP PLUG	01



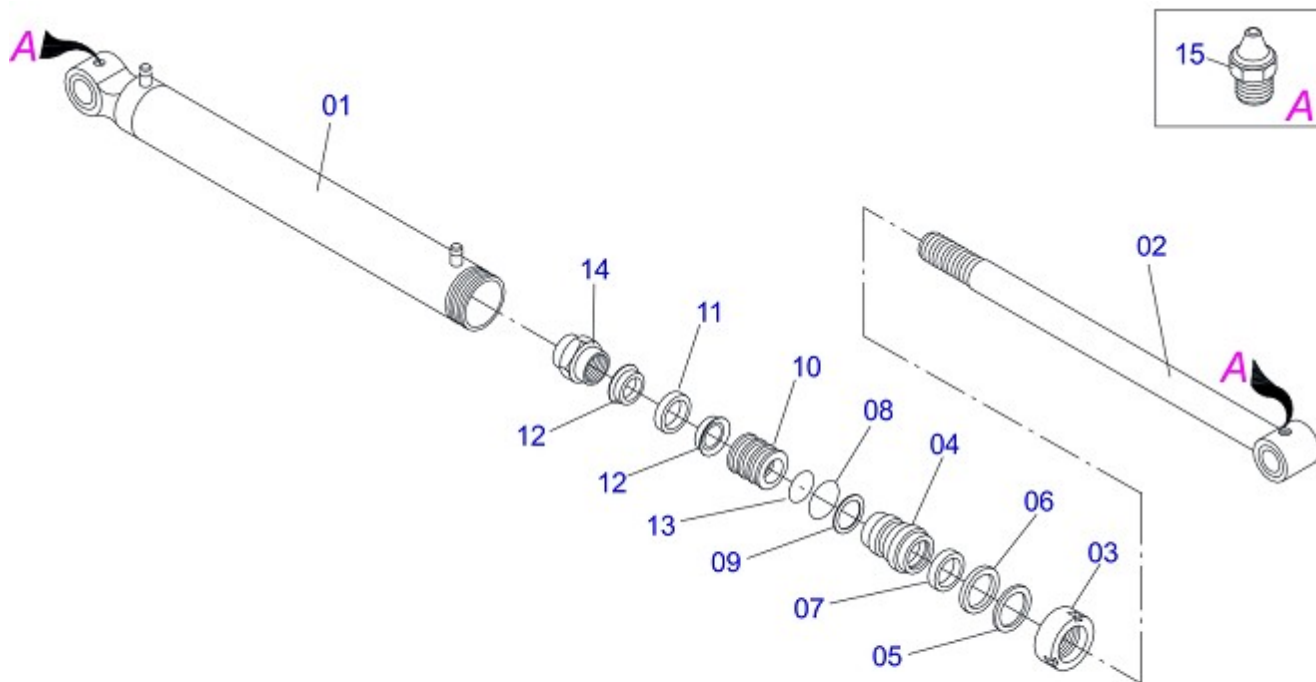
Item	Code	Description	QT
14G	0503010046	2-216 N 3006-9B O'RING	01
14H	0501016309	2" 1X 2.5/16" NUT	01
15	0501010161	1/2" X 1-1/4" BOLT	04
16	0501041108	RETURNING FILTER ASSY	01
16A	0502050002	RETURNING FILTER HEAD	01
16B	0501010594	1" NUT HEX	01
16C	0501010595	1" NF NIPPLE	01
16D	0503010183	RETURNING FILTER	01
17	0501063383	TANK OUTER TUBE	01
18	0501048916	1/2" DOUBLE COMMAND ASSY	01
18A	0503060081	1/2" DOUBLE COMMAND	01
18B	0501010591	HOSE NIPPLE	01
18C	0501010589	1-1/16 NIPPLE	01
18D	0503010602	2-211 N 3006-9B O'RING	02
18E	0511010111	7/8" NIPPLE	04
18F	0503010045	2-116 N 3006-9B O'RING	04
18G	0503030347	UPPER LEVER ASSY (SAUER DANFOSS)	02
18H	0521010533	0.3" X 1" COUPLING SHAFT	02
18I	0503010140	1/8" X 3/4" COTTERPIN	02
19	0501010080	3/8" X 1-1/2" BOLT	03
20	0501010984	FLAT WASHER	03
21	0503010026	3/8" NUT	07
22	0501047446	CONTROL VALVE (P/COM 1/2 PCA)	02
22A	0501068681	1/2" CONTROL VALVE	02
22B	0503030878	LEVER CRANK	02
23	0501080368	3/8" X 29" TC-TM HOSE	02
24	0501080550	3/8" X 55.12" TC-TM HOSE	02
25	0501080698	3/4" X 106" TC-TC HOSE	01
26	0501013822	1" X 25.6" AB-AB HOSE	01
27	0501014834	1-1/4" X 49" AB-AB HOSE	01
28	0503010184	1-1/4" TO 1-1/2" CLAMP	02
29	0503010243	1-1/2" TO 2" CLAMP	02
30	0503010246	2" TO 2 1/2" CLAMP	02
31	0501053834	QUICK CONECTION (MALE) 1/2NPT	02
32	0501053835	FEMALE QUICK COUPLER	02
33	0501018735	REDLIGHT SUPPORT	01
34	0511017610	BATTERY SUPPORT	01
35	0511064563	HOSE PROTECTION	01
36	0521014428	EXTENSION HEX	02
37	0521017643	FILTER SUPPORT	01
38	0511064616	1.5" X 6.9" COUPLING SHAFT	02
39	0503030430	7/16 X 2" PIN LOCK	02
40	0501068213	5/8" WRENCH DOUBLE	01
41	0511010153	2-5/16" FIXED WRENCH	01

1.7" X 3" X 26" X 16" HYDRAULIC CYLINDER

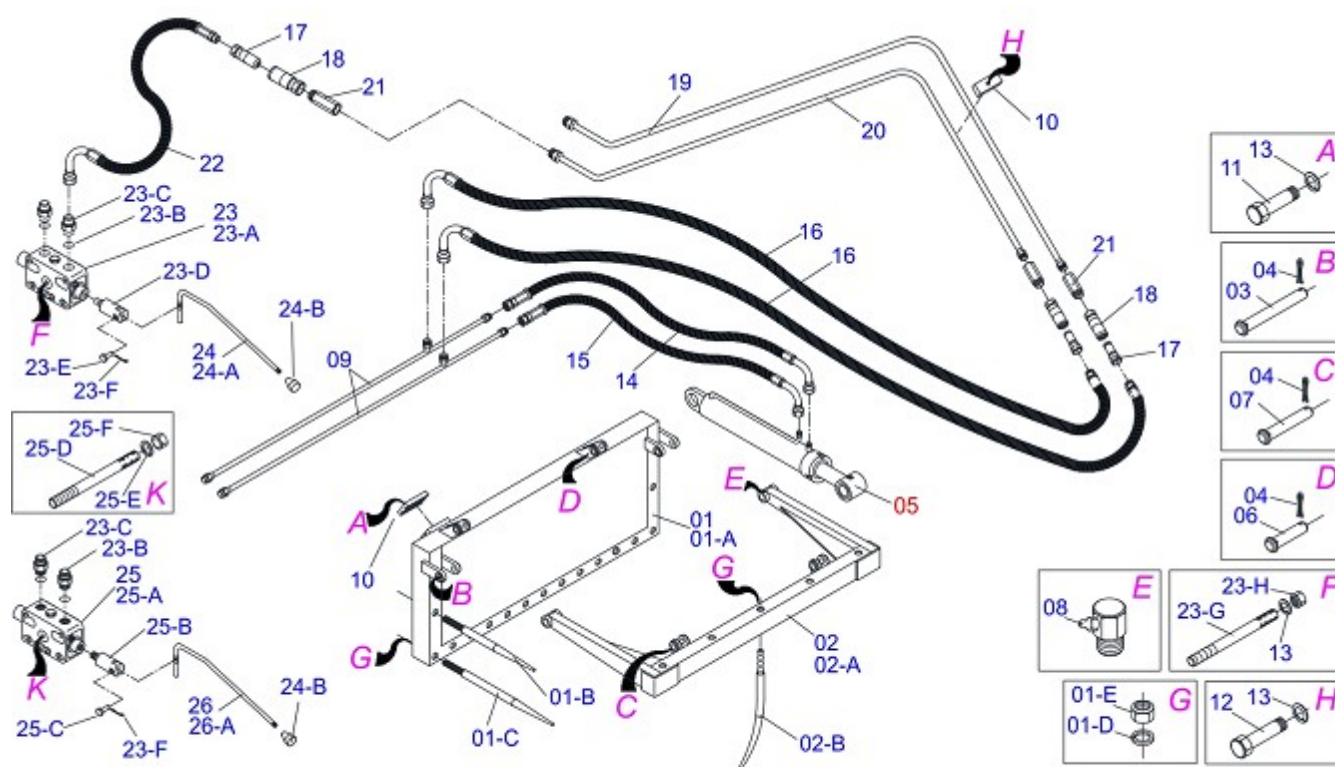
0511040627



Item	Code	Description	QT
00	0511040627	1.7" X 3" X 26" X 16" HYDRAULIC CYLINDER	01
01	0511063212	3" X 23" CYLINDER CASE	01
02	0501068711	1.7" X 22"TURNBUCLE	01
03	0502011899	MOBILE COVER	01
04	0502011897	RING SUPPORT	01
05	0503010761	D-1750 SCRAPER RING	01
06	0503010990	GASKET	01
07	0503010949	W2-2000-500 PK RING G.E	01
08	0503010343	2-334 N 3006-9B O'RING	01
09	0503011059	8-334 BACK-UP RING	01
10	0502011898	1.8" X 3.0" PISTON	01
11	0503010992	W2-3000-500 PK RING G.E	01
12	0503012768	3750-2250 GASKET	02
13	0503010042	2-214 N 3006-9B O'RING	01
14	0503010063	1" SELF-ALIGNING NUT	01
15	0503010002	GREASE FITTING	02
16	0503030387	PLUG	02



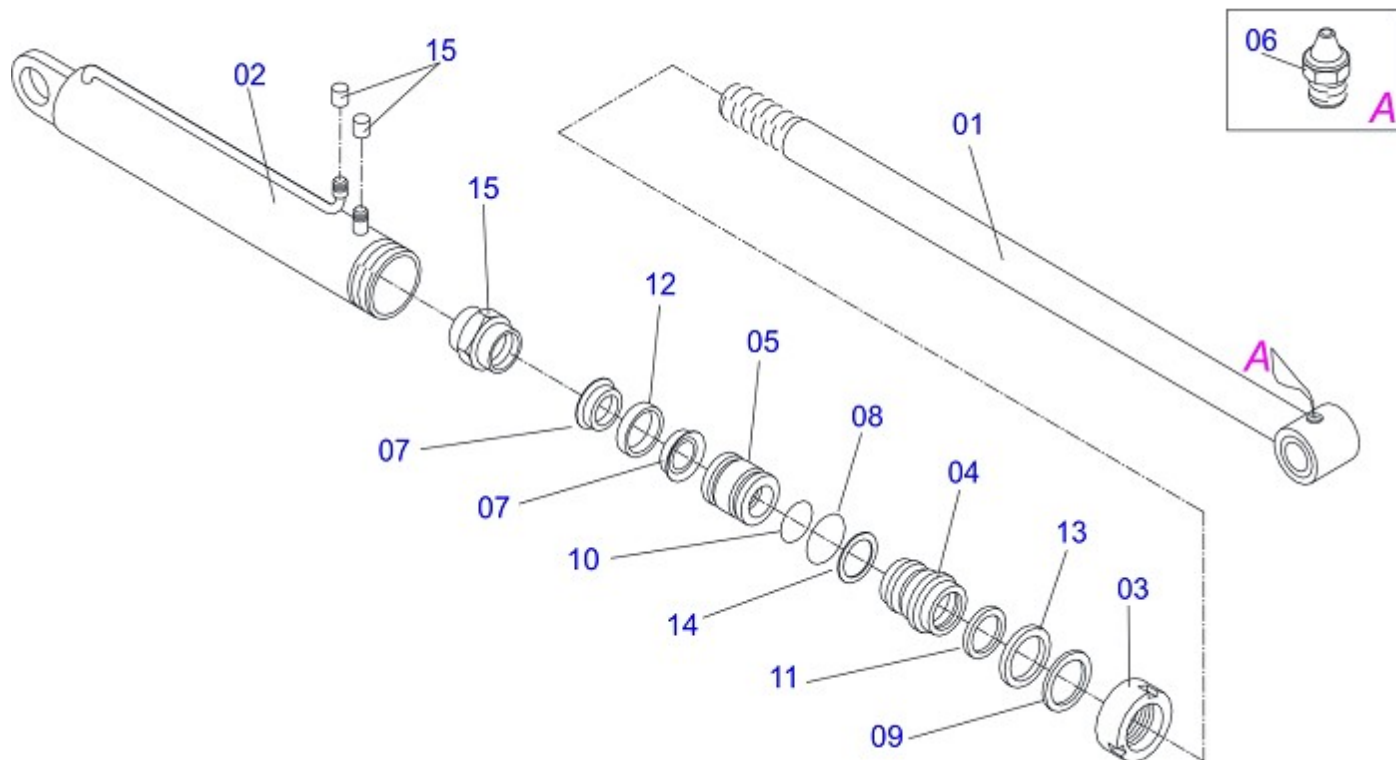
Item	Code	Description	QT
00	0511040310	1.7" X 3" X 32" X 22" HYDRAULIC CYLINDER	01
01	0511061482	3" X 26" CYLINDER CASE	01
02	0511062096	1.7" X 0.3" TURNBUCLE	01
03	0502011899	MOBILE COVER	01
04	0502011897	RING SUPPORT	01
05	0503010761	D-1750 SCRAPER RING	01
06	0503010990	GASKET	01
07	0503010949	W2-2000-500 PK RING G.E	01
08	0503010343	2-334 N 3006-9B O'RING	01
09	0503011059	8-334 BACK-UP RING	01
10	0502011898	1.8" X 3.0" PISTON	01
11	0503010992	W2-3000-500 PK RING G.E	01
12	0503012768	3750-2250 GASKET	02
13	0503010345	2-218 N 3006-9B O'RING	01
14	0503010063	1" SELF-ALIGNING NUT	01
15	0503010002	GREASE FITTING	02
16	0501033655	HYDRAULIC CYLINDER REPAIR KIT	



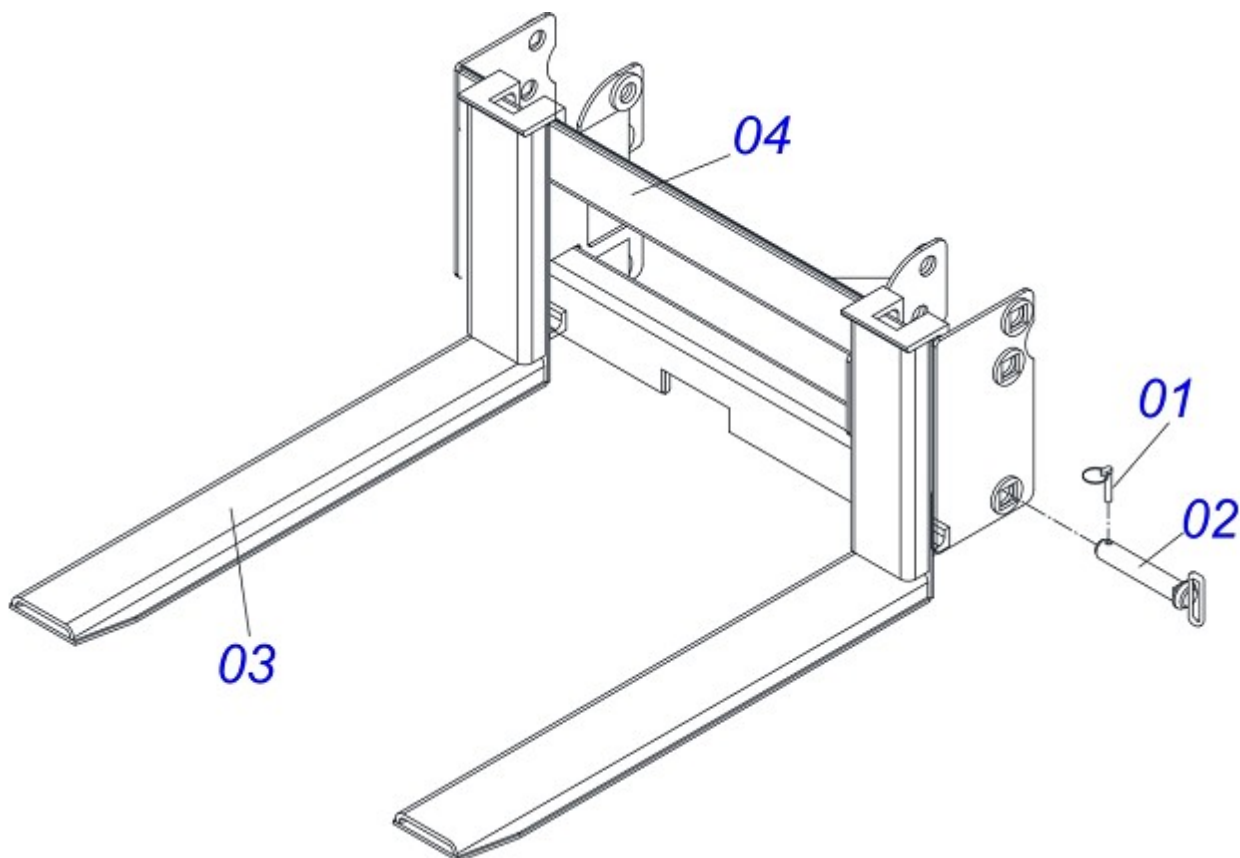
Item	Code	Description	
00	0501047458	1/2" CONTROL VALVE ASSY FOR GSA 600	
00A	0511040471	3/8" CONTROL VALVE ASSY FOR GSA 600	
01	0501051502	FIXED FRAME WITH TEETH	01
01A	0501068609	FIXED FRAME	01
01B	0511019542	1-1/2" X 26" STRAIGHT TEETH	02
01C	0511019543	1-1/2" X 30" STRAIGHT TEETH	13
01D	0503010012	1" SPRING WASHER	20
01E	0503010340	1" UNF NUT	20
02	0501051503	MOBILE FRAME WITH TEETH	01
02A	0501068610	MOBILE FRAME	01
02B	0511019544	1-1/2" X 26" BENT TOOTH	05
03	0511019623	0.9" X 5.4" COUPLING SHAFT	02
04	0503010571	1/4" X 1.1/2" COTTERPIN	06
05	0501047447	1.5 X 2.5 X 16" X 9" HYDRAULIC CYLINDER	02
06	0511019621	0.9" X 2.8" COUPLING SHAFT	02
07	0511019622	0.9" X 4.0" COUPLING SHAFT	02
08	0503010004	GREASE FITTING	02
09	0501068686	OIL TUBE	02
10	0502010477	UPPER CLAMP BODY	05
11	0503010751	3/8" X 1.1/4" HEX BOLT G.5	02
12	0501010096	3/8" X 2" BOLT	03
13	0503010025	3/8" SPRING WHASHER	13
14	0501080599	3/8" X 25" TC-TR HOSE	02
15	0501080328	3/8" X 29" TR-TC HOSE	02
16	0501080597	3/8" X 43" TC-TM HOSE	02
17	0501053834	QUICK CONECTION (MALE) 1/2NPT	04
18	0501053835	FEMALE QUICK COUPLER	04
19	0511061634	LEFT OIL TUBE	01
20	0511061635	RIGHT OIL TUBE	01
21	0511019876	1/2" NIPPLE	04
22	0501080473	3/8" X 120" TC-TM HOSE	02
23	0501053055	1/2"CENTER BODY WITH 3/8" NIPPLES	01
23A	0503010423	1/2" CENTER BODY	01



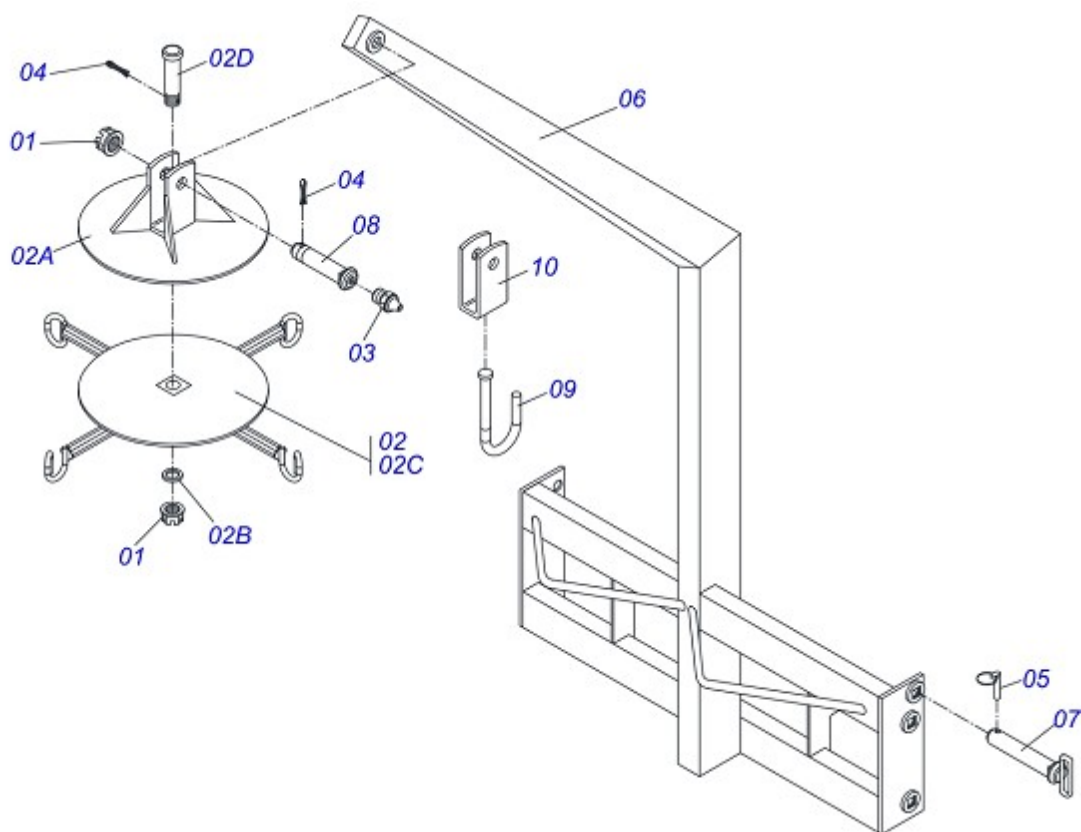
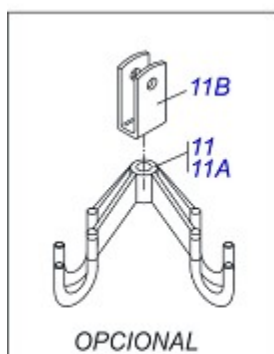
Item	Code	Description	
23B	0503010045	2-116 N 3006-9B O'RING	02
23C	0511010111	7/8" NIPPLE	02
23D	0503030265	UPPER LEVER (PARKER 1/2")	01
23E	0521010533	0.3" X 1" COUPLING SHAFT	01
23F	0503010140	1/8" X 3/4" COTTERPIN	01
23G	0501016988	PRISONER 3/8 NC X 3/8 NC X 270	04
23H	0503010026	3/8" NUT	08
24	0501047446	CONTROL VALVE (P/COM 1/2 PCA)	01
24A	0501068681	1/2" CONTROL VALVE	01
24B	0503030878	LEVER CRANK	01
25	0501053585	3/8" CENTER BODY WITH NIPPLES	01
25A	0503010504	3/8" CENTER BODY	01
25B	0503011050	LOWER LEVER	01
25C	0521010532	0.3" X 0.9" COUPLING SHAFT	01
25D	0521014825	5/16 UNC X 5/16 UNC X 200 PRISONER	03
25E	0503010179	5/16" SPRING WASHER	06
25F	0503010337	5/16" NUT	06
26	0511040480	CONTROL VALVE	01
26A	0511064635	CONTROL VALVE (PCA)	01



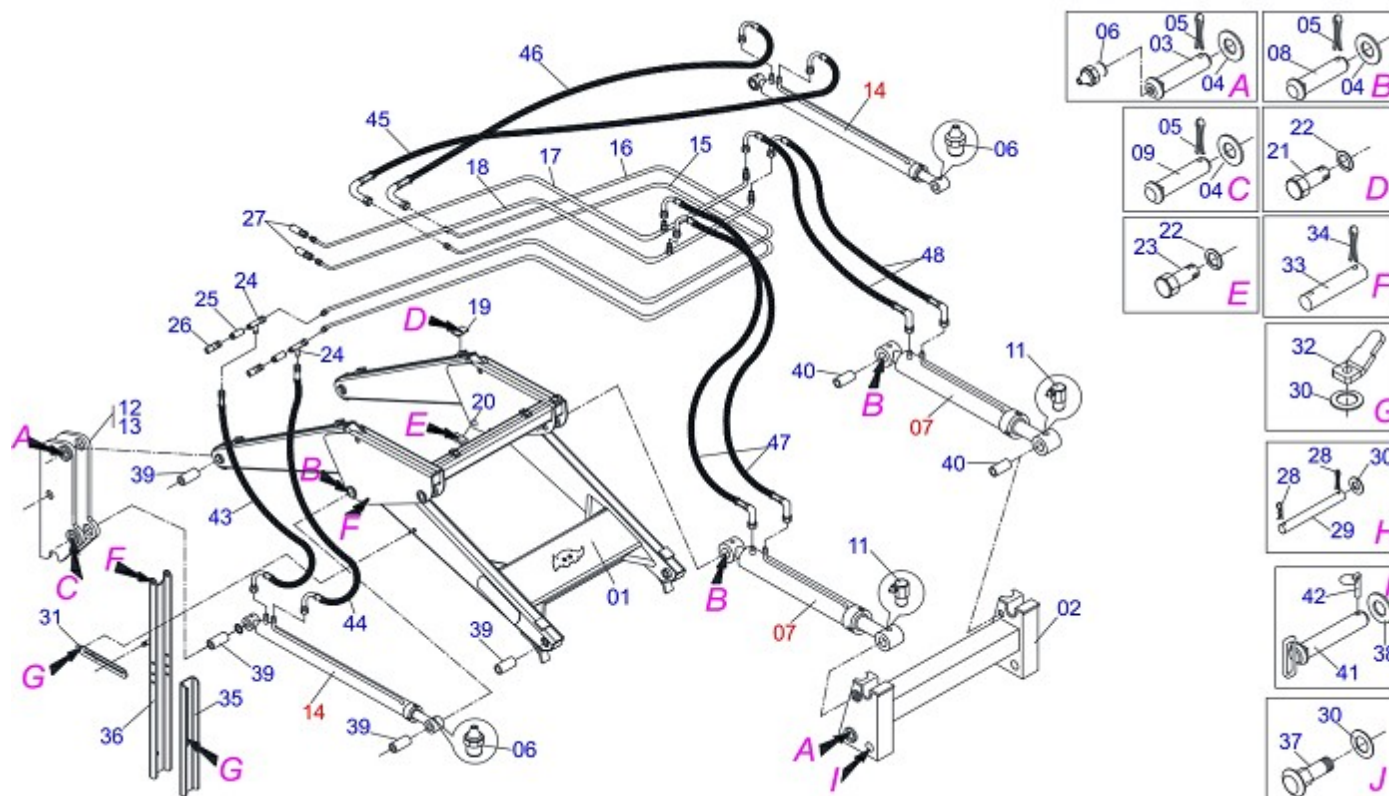
Item	Code	Description	
00	0501047447	1.5 X 2.5 X 16" X 9" HYDRAULIC CYLINDER	01
01	0501068721	1.5" X 14.1" TURNBUCLE	01
02	0501068722	63,50 X 328 CYLINDER CASE	01
03	0502010471	DETACHABLE COVER	01
04	0502010780	RING SUPPORT	01
05	0502010783	1.5" X 2.5" PISTON	01
06	0503010002	GREASE FITTING	01
07	0503010160	2500 2000 GASKET	02
08	0503010161	2-330 N 3006 9B O'RING	01
09	0503010163	D-1500 SCRAPER RING	01
10	0503010285	2-222 N 3006-9B O'RING	01
11	0503010970	W1-1650-500 PK RING G.E	01
12	0503010973	W2-2500-500 PK RING G.E	01
13	0503010989	1870-1500-375-B GASKET	01
14	0503011058	8-330 BACK-UP RING	01
15	0503011980	1" UNF LOCKNUT	01
16	0503030385	PLUG CYLINDER	02



Item	Code	Description	
00	0501048740	SAE COMPLETE FOR PCA 600/800/1100	
01	0503030430	7/16 X 2" PIN LOCK	04
02	0511060428	PIN HITCH	04
03	0511060429	CHARGING BAR	02
04	0511060430	CHARGING BAR SUPPORT	01



Item	Code	Description	
01	0501011301	1.1/2" CASTLE NUT	02
02	0501043072	CROSSPIECE ASSY GAT-R	01
02A	0511068703	U COUPLING CROSSPIECE	01
02B	0501012916	FLAT WASHER	01
02C	0501064477	CROSSPIECE	01
02D	0521010555	1-1/2" X 5.5" COUPLING SHAFT	01
03	0503010002	GREASE FITTING	01
04	0503010010	1/4" X 2.1/2" COTTERPIN	02
05	0503030430	7/16 X 2" PIN LOCK	04
06	0511060426	CROSSPIECE SUPPORT	01
07	0511060428	PIN HITCH	04
08	0521012828	1.5" X 6.8" PIVOT SHAFT	01
09	0501064475	1-1/4" HOOK	01
10	0501069722	U COUPLING HOOK	01
11	0501053565	CROSSPIECE ASSY FOR SAB/PD/PCA	01
11A	0511060427	CROSSPIECE	01
11B	0501069721	U COUPLING FOR CROSSPIECE	01



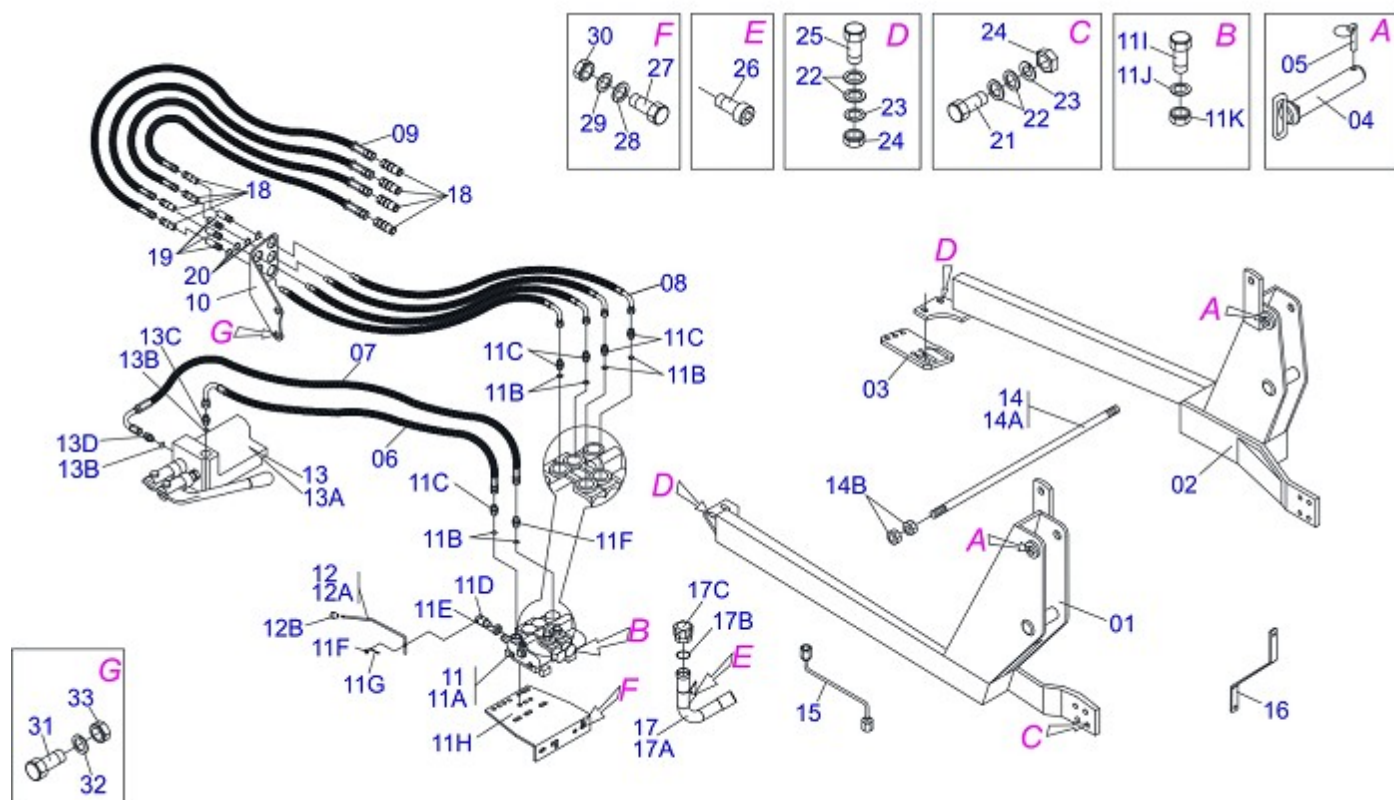
Item	Code	Description	
01	0501069453	MOBILE SUPPORT	01
02	0501069146	JOINT SUPPORT PCA 800	01
03	0521012870	1.46" X 6.18" PIVOT SHAFT	02
04	0511019685	FLAT WASHER	01
05	0503010534	3/8" X 2-1/2" COTTERPIN	02
06	0503010002	GREASE FITTING	04
07	0511042640	1.75" X 3 X 32.28" HYDRAULIC CYLINDER	02
08	0521012868	1.4" X 5" PIVOT SHAFT	02
09	0521012869	COUPLING SHAFT	02
10	0503010003	3/8" GREASE FITTING	02
11	0503010004	GREASE FITTING	02
12	0502012472	MOBILE TOWER	01
13	0502012473	LEFT MOBILE TOWER	01
14	0511046318	HYDRAULIC CILINDER	02
15	0501069860	OUTER OIL TUBE	01
16	0501069861	INNER OIL TUBE	01
17	0501069857	RIGHT RIGHT OIL TUBE	01
18	0501069858	LH RIGHT OIL TUBE	01
19	0531011180	UPPER CLAMP BODY	02
20	0502010477	UPPER CLAMP BODY	08
21	0503011102	7/16" X 1-1/4" BOLT	02
22	0503010180	7/16" SPRING WASHER	02
23	0503012555	7/16" X 2" BOLT	04
24	0503011968	"T" ADAPTOR WITH GIRAT NUT 3/8	02
25	0511019876	1/2" NIPPLE	04
26	0501053835	FEMALE QUICK COUPLER	02
27	0501053834	QUICK CONECTION (MALE) 1/2NPT	02
28	0503010071	3/16" X 1" COTTERPIN	04
29	0521012823	COUPLING SHAFT	02
30	0511017302	FLAT WASHER	08
31	0511019634	CONTROL LOCK	02
32	0561016329	LATCH HOLDER REST PCA	04
33	0511013598	3/4" X 4.7" COUPLING SHAFT	02



AGRICULTURAL FRONT LOADER 800

0909094380

Item	Code	Description	
34	0503010131	3/16" X 1-1/2" COTTERPIN	01
35	0561016619	COMPLEMENTON REST	02
36	0561016401	PLOUGH SUPPORTE BODY	02
37	0503014378	1/2" X 1-1/2" BOLT	02
38	0501012916	FLAT WASHER	02
39	0521011903	1.48" X 1.77" X 3.93" SLEEVE INTER	04
40	0521010514		08
41	0511064410	1.5" X 8.1" COUPLING SHAFT	02
42	0503030430	7/16 X 2" PIN LOCK	02
43	0501080413	3/8" X 27" TR-TC HOSE ASSY	01
44	0501080150	3/8" X 31.49" HOSE ASSY	01
45	0501080766	3/8" X 27.56" TC-TC HOSE	01
46	0501080723	3/8" X 31.49" TC-TC HOSE	01
47	0501080777	LH 3/8" X 25.9" TC-TC HOSE	02
48	0501080688	3/8" X 25" TC-TC 90G HOSE	02



Item	Code	Description	
01	0511061438	RIGHT FRAME	01
02	0511061440	LEFT FRAME	01
03	0501014778	FRAME BRACKET	02
04	0511060085	1.47" X 9.25" PIVOT SHAFT	02
05	0503030430	7/16 X 2" PIN LOCK	02
06	0501080092	1/2" X 700 TR-TC HOSE	01
07	0501080249	3/8" X 33" TR-TC HOSE ASSY	01
08	0501080207		04
09	0501080361	3/8" X 157" TR-TM HOSE ASSY	04
10	0511019730	QUICK COUPLING SUPPORT	01
11	0501048913	3/8" DOUBLE COMMAND ASSY	01
11A	0503060079	3/8" DOUBLE COMMAND VALVE	01
11B	0503010045	2-116 N 3006-9B O-RING	01
11C	0511010111	7/8" NIPPLE	05
11D	0503011050	LOWER LEVER	02
11E	0503010337	5/16" NUT	02
11F	0501010590	7/8" HEX NIPPLE	01
12	0501047849	CONTROL VALVE (PD F 6630/7630 BT)	02
12A	0501067686	CONTROL LEVER ASSY	01
12B	0503030878	LEVER CRANK	01
13	0501041892	V002/0012 FLOW DIVIDING VALVE ASSY	01
13A	0503060064	V002-0012 FLOW DIVIDING VALVE	01
13B	0503010190	2-114 N 3006-9B O-RING	02
13C	0511010111	7/8" NIPPLE	01
13D	0501010617	3/4" NIPPLE	01
14	0501042819	1.1/4"NC X 33.46" ROD	01
14A	0501018845	1.1/4" X 33.46" ROD	01
14B	0501010087	1.1/4" UNC NUT	04
15	0501068213	5/8" WRENCH DOUBLE	01
16	0521012541	REDLIGHT SUPPORT	01
17	0501051341	TANK TUBE	01
17A	0501069156	TANK TUBE	01
17B	0503010141	2-226 N 3006-9B O-RING	01



Item	Code	Description	
17C	0502020549	TANK COVER	01
18	0501053834	QUICK CONECTION (MALE) 1/2NPT	04
19	0501053835	FEMALE QUICK COUPLER	04
20	0503010217	501040 CLAMPING RING (FOR AXLE)	02
21	0501018059	3/4" X 2-1/4" BOLT	08
22	0501010322	FLAT WASHER	12
23	0503010023	3/4" SPRING WASHER	08
24	0503010014	3/4" NUT	08
25	0501010500	3/4" X 3" BOLT	04
26	0503013847		02
27	0503010421	5/16" X 1-1/2" BOLT	03
28	0501010694	FLAT WASHER	03
29	0503010179	5/16" SPRING WASHER	03
30	0503010337	5/16" NUT	03
31	0503010237	3/8" X 1" HEX BOLT G5	02
32	0503010025	3/8" SPRING WHASHER	02
33	0503010026	3/8" NUT	02



MARCHESAN

MARCHESAN IMPLEMENTOS E MÁQUINAS AGRÍCOLAS TATU S.A.

AV. Marchesan, 1979 - Post office box, 131 - CEP 15994-900 - Matão - SP - Brazil

Phone +55 16.3382-8282

(FAX Parts) + 55 16.3382. 8297 - (Export) + 55 16.3382.1003

e.mail: tatu@marchesan.com.br www.marchesan.com.br

*Drafting and Illustration = GASPARI
e.mail = jgaspari@marchesan.com.br*

**ORIGINAL PARTS
TATU**



MARCHESAN