

**PCA - AGRICULTURAL FRONT LOADER**

## **PCA 600 VALTRA/VALMET 785/785-4 BT**

**Code:** 0501090557  
**Series:** S-0597  
**Revision:** 00  
**Date Revision:** JANEIRO/1998

# **PARTS CATALOGUE**



**MARCHESAN**



# PRODUCTS

<b>Code</b>	<b>Description</b>
0106110043	PCA 600 V 785/785-4 BT CT GSA S-597
0106110464	PCA 600 V 785/785-4 BT SC S-0597
0106110685	PCA 600 V 785/785-4 BT SC SL S-0597
0106111096	PCA 600 V 785/785-4 BTCD S-0597
0106110966	PCA 600 V785-4 BTSCSL S/CH S-0597

## **ATTENTION: IMPORTANT**

Marchesan S.A. reserves the right to improve and / or modify the technical features of its products, without obligation to do the same with those products already sold and without prior knowledge of the dealer or the consumer.

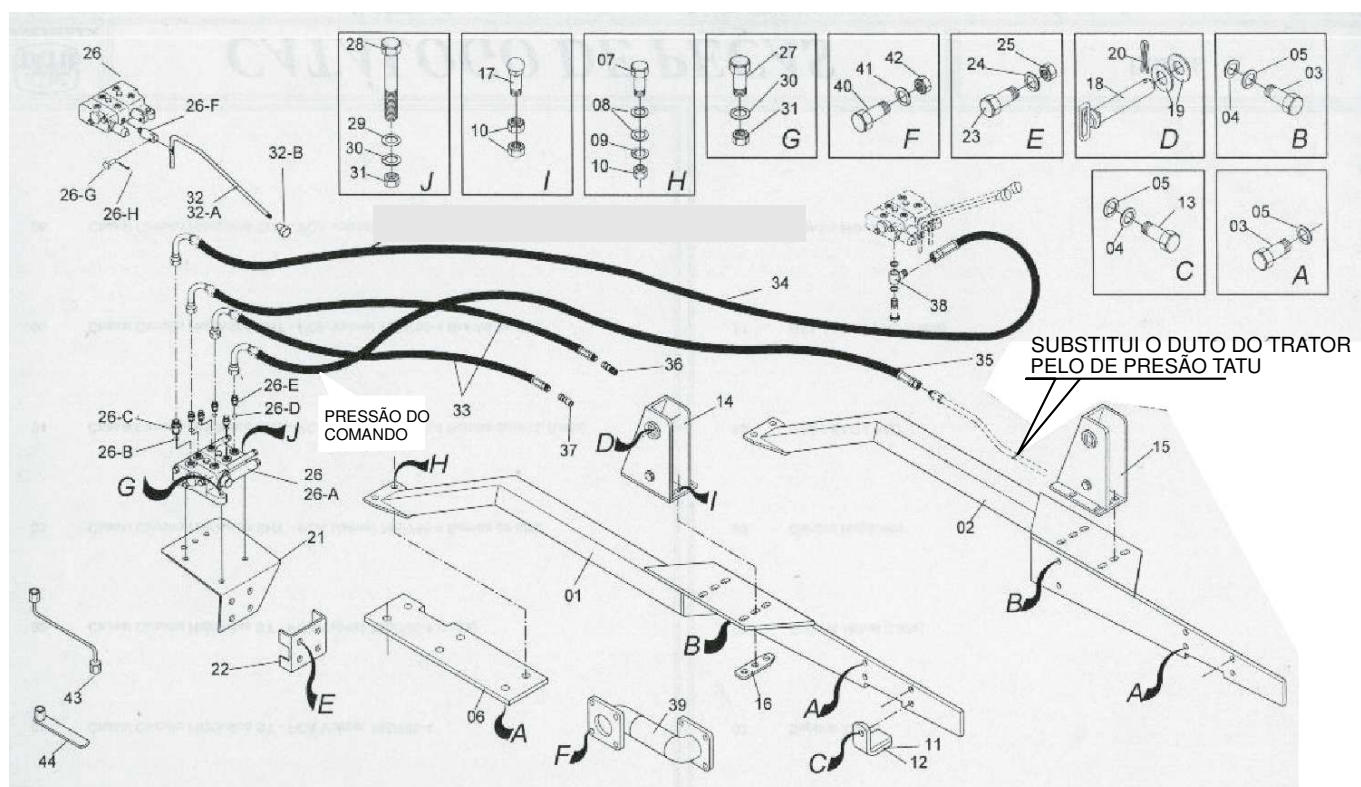


**MARCHESAN**

# INDEX

0909095034	FRAME CIRCUIT HYDRAULIC BT	.....	1
0909095035	FRAME CIRCUIT HYDRAULIC SHT	.....	2
0909095037	FRAME CIRCUIT HYDRAULIC SHT	.....	3
0909092487	HYDRAULIC CIRCUIT PCA 600 BT CT	.....	4
0501047635	FULL MOVABLE STAND - PCA 785-4 CD SHT	.....	5
0521050762	44,45 X 76,20 X 865 X 555 HYDRAULIC CYLINDER	.....	6
0521052272	44,45 X 101,60 X 668 X 418 HYDRAULIC CYLINDER - PCA 600	.....	7
0501048786	MOBILE SUPPORT	.....	8
0511047849	LDA 2200 WITHOUT SUPPORT	.....	9
0909094310	HYDRAULIC CIRCUIT OF MOBILE SUPPORT - PCA 600	.....	10

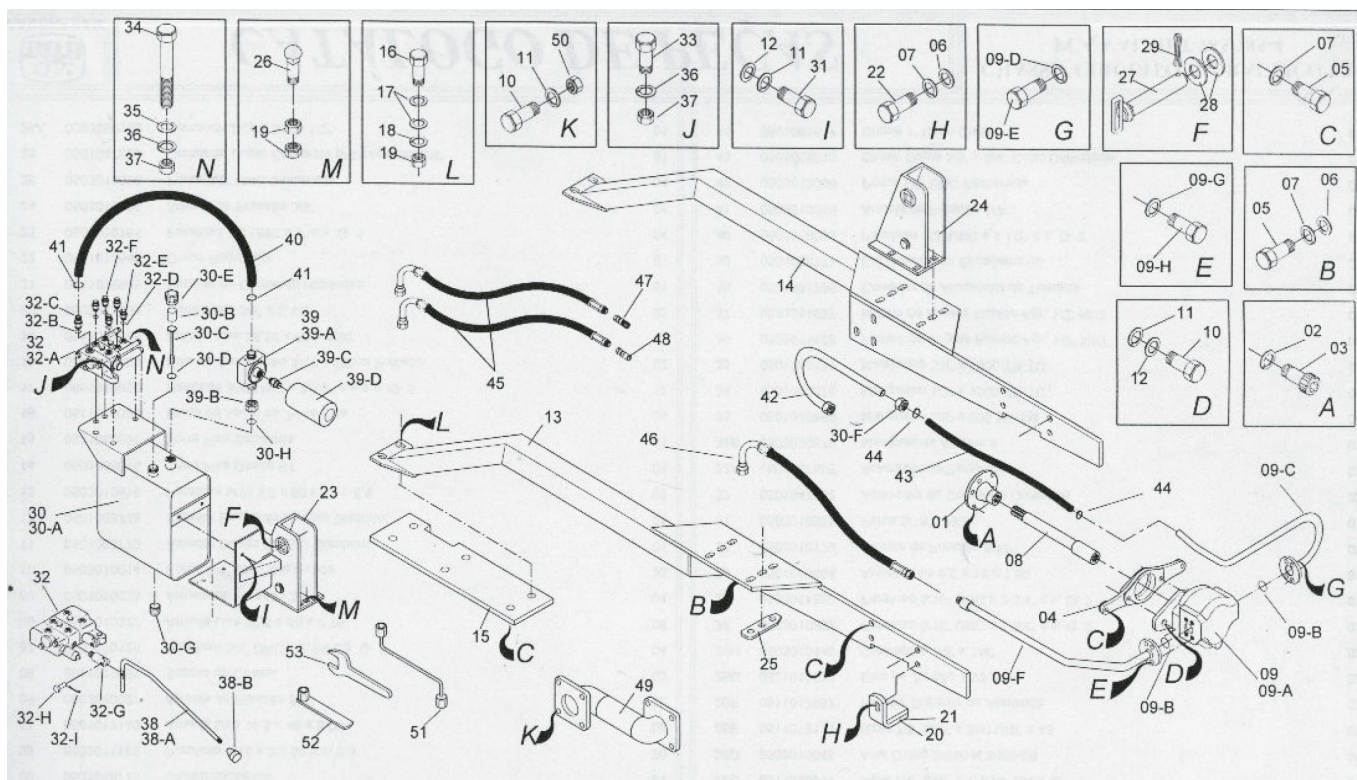
**(OPTIONAL)**



Item	Code	Description	See page	QT
01	0511061401	RIGHT FRAME		01
02	0511061402	FRAME LEFTH		01
03	0503011188	M16 X 2 X 50 BOLT		20
04	0501012140	FLAT WASHER		08
05	0503010027	5/8" SPRING WASHER		22
06	0511019991	FRAME BRACKET		02
07	0501010125	3/4" X 2-1/2" BOLT		02
08	0501010322	FLAT WASHER		08
09	0503010023	3/4" SPRING WASHER		04
10	0503010014	3/4" NUT		28
11	0501068779	BEATER RIGHT		01
12	0501068778	FRONT AXLE BEATER LEFT		01
13	0503010819	M16 X 2 X 60 BOLT		02
14	0501068616	FIXED TOWER RIGHT		01
15	0501068597	LEFT FIXED TOWER		01
16	0511019699	FIXED TOWEL SUPPORT PLATE		04
17	0501010950	3/4" X 3-1/2" BOLT		12
18	0501068603	1.5" X 1.4" PIVOT SHAFT		02
19	0511019685	FLAT WASHER		02
20	0503010534	3/8 X 2-1/2 COTTERPIN		02
21	0511019985	SUPPORT HYDRAULIC CONTROL		01
22	0501013648	REGULATOR BODY		01
23	0503010765	3/8" X 3" BOLT		04
24	0503010025	3/8" SPRING WASHER		04
25	0503010026	3/8" NUT		04
26	0521040775	DUAL CONTROL		01
26A	0503060079	3/8" DOUBLE COMMAND VALVE		01
26B	0503010045	O'RING		06
26C	0501010590	NIPPLE		02
26D	0511010111	7/8" NIPPLE		04
26E	0503011050	LOWER LEVER		02



Item	Code	Description	See page	QT
26F	0503010337	5/16" NUT		02
26G	0521010532	0.3" X 0.9" COUPLING SHAFT		02
26H	0503010140	1/8" X 3/4" COTTERPIN		02
26I	0503030385	CYLINDER PLUG N-002		04
26J	0503030387	PLUG		02
27	0503010397	5/16" X 1-3/4" BOLT		02
28	0503011332	5/16" X 2-3/4" BOLT		01
29	0501010694	8.5 X 18 X 1.5 FLAT WASHER		01
30	0503010179	5/16" ZN SPRING WASHER		03
31	0503010337	5/16" NUT		03
32	0501047852	COMPLETE CONTROLLER		02
32A	0501067556	CONTROL VALVE ( V-985-4)		01
32B	0503030878	LEVER CRANK		01
33	0501080463	3/8 X 900 TC-TM HOSE		04
34	0501080275	1/2" X 1500 TR-TC HOSE ASSY		01
35	0501080431	TR-TC HOSE ASSY		01
36	0503011628	FEMALE QUICK COUPLER		02
37	0503011627	MALE QUICK COUPLER AGR 1/2 NPT		02
38	0501061795	CONNECTOR ADAPTER PRESSURE		01
39	0501068777	EXHAUST		01
40	0501010063	1/2" X 1-1/2" BOLT		04
41	0503010019	1/2" SPRING WASHER		04
42	0503010060	1/2" NUT		04
43	0501068213	5/8" WRENCH DOUBLE		01
44	0501061617	1" GANG BOLT WRENCH		01



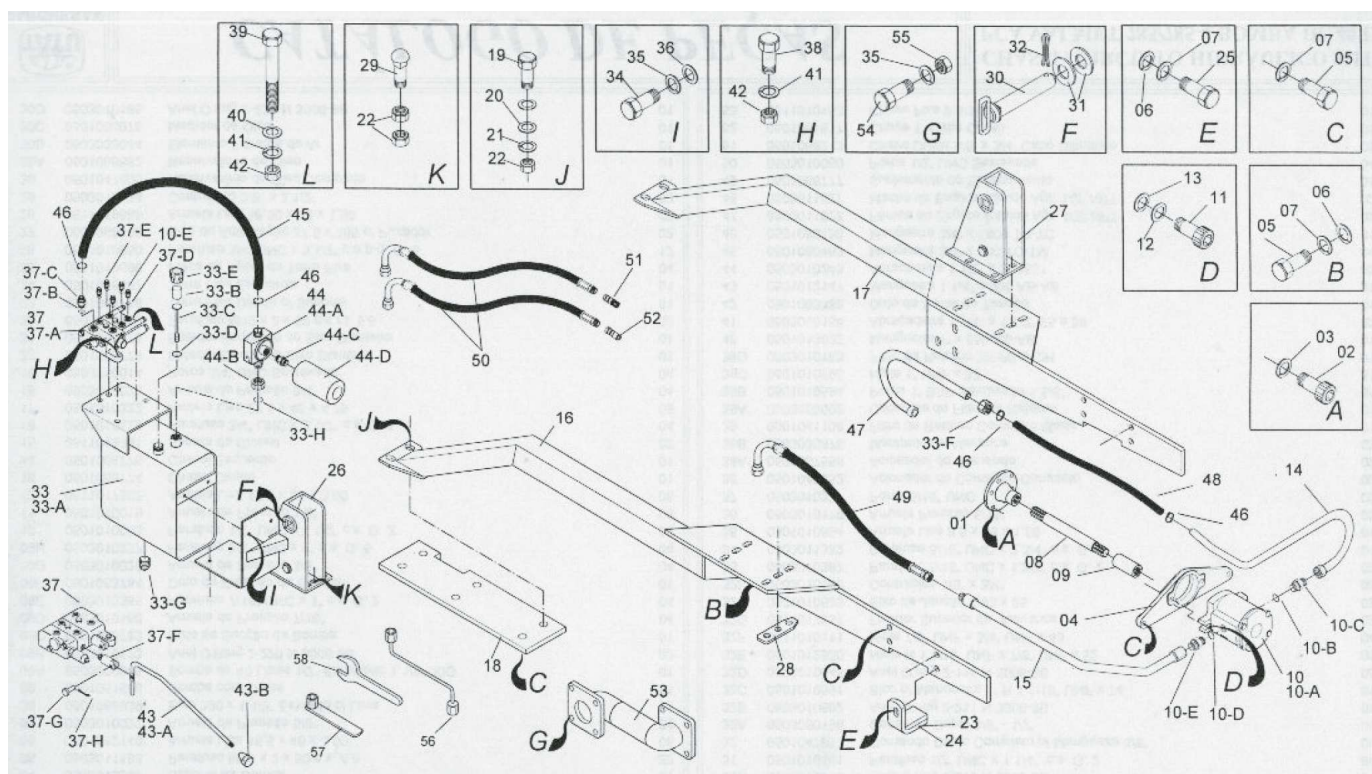
Item	Code	Description	See page	QT
01	0501067343	COUPLING FLANGE	01	01
02	0503010180	7/16" SPRING WASHER	06	06
03	0503010728	M10 X 1.2" BOLT	06	06
04	0502010097	PUMP SUPPORT	01	01
05	0503011188	M16 X 2 X 50 BOLT	22	22
06	0501012140	FLAT WASHER	08	08
07	0503010027	5/8" SPRING WASHER	24	24
08	0501068939	390 X 1.1/8 STRIATED AXLE	01	01
09	0501051698	PUMP WITH TUBE	01	01
09A	0503060045	40L 1/2" PUMP	01	01
09B	0503010173	2-220 N 3006-9B O'RING	02	02
09C	0501063783	PUMP SUCTION TUBE	01	01
09D	0503010180	7/16" SPRING WASHER	04	04
09E	0503010355	7/16" X 1" BOLT	04	04
09F	0501063784	PUMP PRESSURE TUBE	01	01
09G	0503010025	3/8" SPRING WASHER	04	04
09H	0503010237	3/8" X 1" BOLT	04	04
10	0501010063	1/2" X 1-1/2" BOLT	06	06
11	0503010019	1/2" SPRING WASHER	06	06
12	0511017302	FLAT WASHER	06	06
13	0501068774	FRAME RH	01	01
14	0501068775	FRAME LH	01	01
15	0511019991	FRAME BRACKET	02	02
16	0501010125	3/4" X 2-1/2" BOLT	04	04
17	0501010322	FLAT WASHER	08	08
18	0503010023	3/4" SPRING WASHER	04	04
19	0503010014	3/4" NUT	04	04
20	0501068779	BEATER RIGHT	01	01
21	0501068778	FRONT AXLE BEATER LEFT	01	01
22	0503010819	M16 X 2 X 60 BOLT	02	02
23	0501068776	RIGHT FIXED TOWER	01	01



## FRAME CIRCUIT HYDRAULIC SHT

0909095035

Item	Code	Description	See page	QT
24	0501068597	LEFT FIXED TOWER		01
25	0511019699	FIXED TOWEL SUPPORT PLATE		04
26	0501010950	3/4" X 3-1/2" BOLT		12
27	0501068603	1.5" X 1.4" PIVOT SHAFT		02
28	0511019685	FLAT WASHER		02
29	0503010534	3/8 X 2-1/2 COTTERPIN		02
30	0501047808	OIL RESERVOIR ASSY		01
30A	0501068882	OIL RESERVOIR		01
30B	0503030044	FILTERING ELEMENT		01
30C	0501060975	OIL GAGE		01
30D	0503010185	2-221 N 3006-9B O'RING		01
30E	0502020472	FRONTAL COVER		01
30F	0501016309	2" 1X 2.5/16" NUT		01
30G	0503010123	1/2" BSPT PLUG		01
30H	0503010046	2-216 N 3006-9B O'RING		01
31	0501010161	1/2" X 1.1/4" BOLT		04
32	0501047637	3/8" DOUBLE COMMAND		01
32A	0503060198	3/8"-1/2" DOUBLE COMMAND		01
32B	0503010602	2-211 N 3006-9B O'RING		01
32C	0501010591	HOSE NIPPLE		01
32D	0503010045	O'RING		05
32E	0501012520	1-1/16" X 7/8" NIPPLE		01
32F	0511010111	7/8" NIPPLE		04
32G	0511017957	LEVER SUPPORT FIXER		02
32H	0521010533	0.3" X 1" COUPLING SHAFT		02
32I	0503010140	1/8" X 3/4" COTTERPIN		02
33	0503010397	5/16" X 1-3/4" BOLT		02
34	0503011332	5/16" X 2-3/4" BOLT		01
35	0501010694	8.5 X 18 X 1.5 FLAT WASHER		01
36	0503010179	5/16" ZN SPRING WASHER		03
37	0503010337	5/16" NUT		03
38	0501047852	COMPLETE CONTROLLER		02
38A	0501067556	CONTROL VALVE ( V-985-4)		02
38B	0503030878	LEVER CRANK		02
39	0501041108	RETURNING FILTER ASSY		01
39A	0502050002	RETURNING FILTER HEAD		01
39B	0501010594	1" NUT		01
39C	0501010595	1" NF NIPPLE		01
39D	0503010183	RETURNING FILTER		01
40	0501013822	1" X 25.6" AB-AB HOSE		01
41	0503010184	CLAMP		02
42	0501063383	TANK OUTER TUBE		01
43	0501012147	1.1/4 X 900 AB-AB HOSE		01
44	0503010243	CLAMP		02
45	0501080463	3/8 X 900 TC-TM HOSE		04
46	0501080136	3/4 X 1400 TR-TC 1G138642 HOSE		01
47	0503011628	FEMALE QUICK COUPLER		02
48	0503011627	MALE QUICK COUPLER AGR 1/2 NPT		02
49	0501068777	EXHAUST		01
50	0503010060	1/2" NUT		04
51	0501068213	5/8" WRENCH DOUBLE		01
52	0501061617	1" GANG BOLT WRENCH		01
53	0511010153	2-5/16" FIXED WRENCH		01



Item	Code	Description	See page	QT
01	0501067343	COUPLING FLANGE		01
02	0503010728	M10 X 1.2" BOLT		06
03	0503010180	7/16" SPRING WASHER		06
04	0502010198	PUMP SUPPORT		01
05	0503011188	M16 X 2 X 50 BOLT		22
06	0501012140	FLAT WASHER		08
07	0503010027	5/8" SPRING WASHER		24
08	0501069040	355 X 1.1/8" STRIATED AXLE		01
09	0503030043	61 SLEEVE		01
10	0501040956	20L 7/8" PUMP		01
10A	0503060204	20L 3/8" PUMP		01
10B	0503011109	2-119 N 3006-9B O'RING		01
10C	0501010589	R. 1.1/16UN SEXT 1.1/4 X 52 NIPPLE		01
10D	0503010190	2-114 N 3006-9B O'RING		01
10E	0501010590	NIPPLE		02
11	0503010175	3/8" X 1-1/4" BOLT		02
12	0501010984	FLAT WASHER		02
13	0503010025	3/8" SPRING WASHER		02
14	0501063727	PUMP SUCTION TUBE		01
15	0501063728	PUMP PRESSURE TUBE		01
16	0501068774	FRAME RH		01
17	0501068775	FRAME LH		01
18	0511019991	FRAME BRACKET		02
19	0501010125	3/4" X 2-1/2" BOLT		04
20	0501010322	FLAT WASHER		08
21	0503010023	3/4" SPRING WASHER		16
22	0503010014	3/4" NUT		28
23	0501068779	BEATER RIGHT		01
24	0501068778	FRONT AXLE BEATER LEFT		01
25	0503010819	M16 X 2 X 60 BOLT		02
26	0501068776	RIGHT FIXED TOWER		01

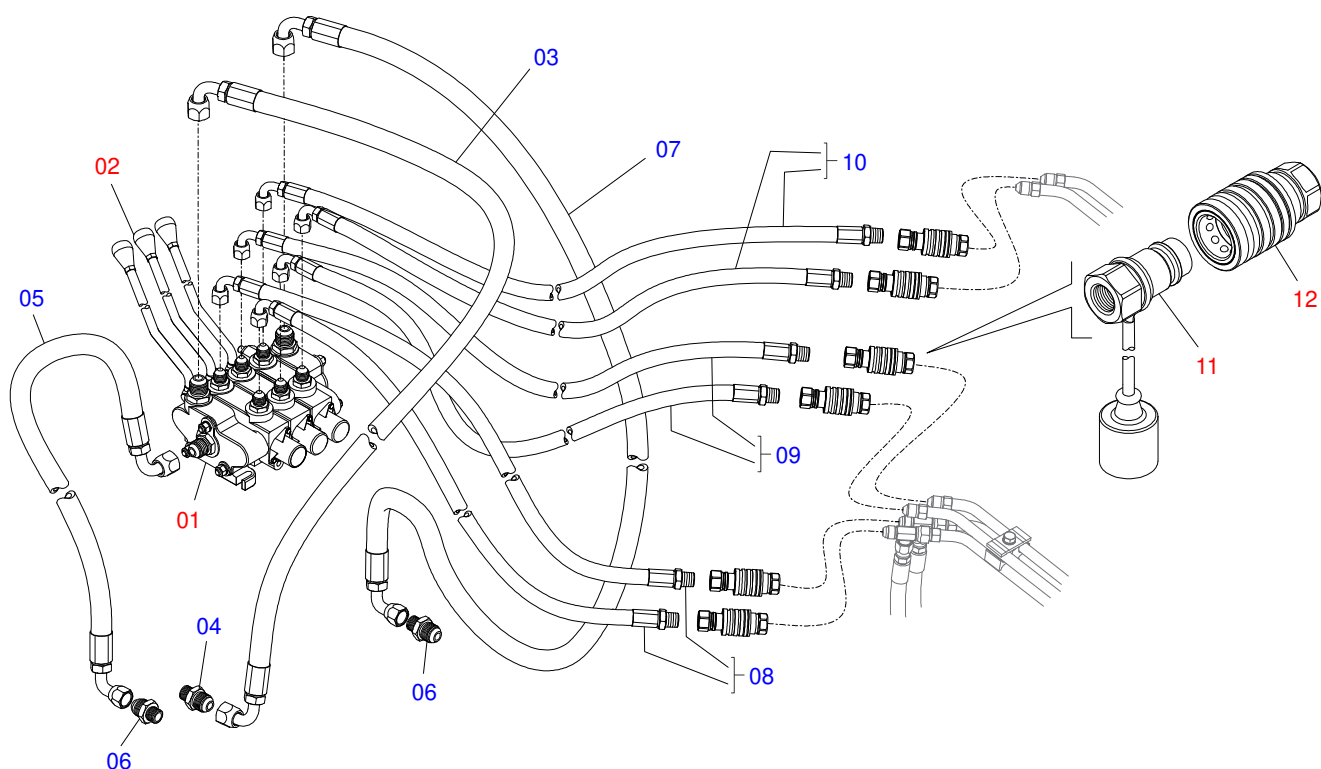




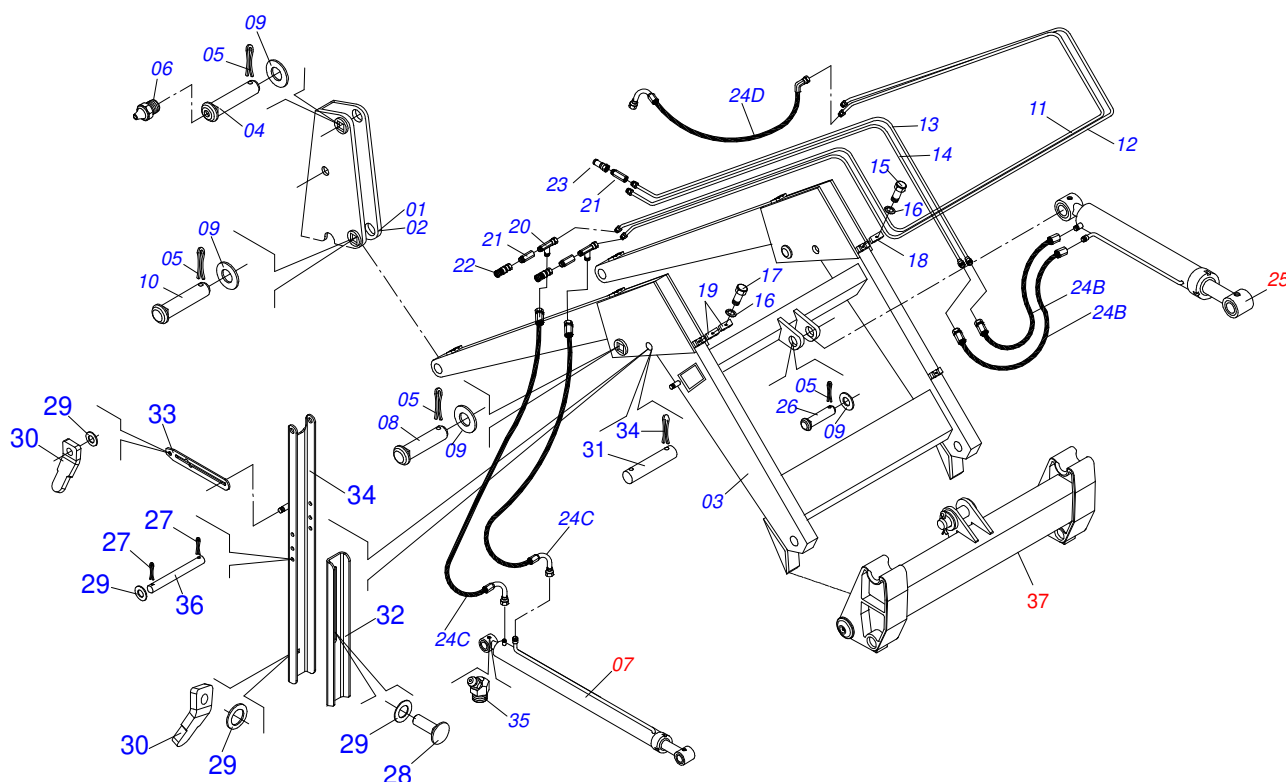
PCA 600 VALTRA/VALMET 785/785-4 BT  
FRAME CIRCUIT HYDRAULIC SHT (OPTIONAL)

Page 3  
0909095037

Item	Code	Description	See page	QT
27	0501068597	LEFT FIXED TOWER		01
28	0511019699	FIXED TOWEL SUPPORT PLATE		04
29	0501010950	3/4" X 3-1/2" BOLT		12
30	0501068603	1.5" X 1.4" PIVOT SHAFT		02
31	0511019685	FLAT WASHER		02
32	0503010534	3/8 X 2-1/2 COTTERPIN		02
33	0501047808	OIL RESERVOIR ASSY		01
33A	0501068882	OIL RESERVOIR		01
33B	0503030044	FILTERING ELEMENT		01
33C	0501060975	OIL GAGE		01
33D	0503010185	2-221 N 3006-9B O'RING		01
33E	0502020472	FRONTAL COVER		01
33F	0501016309	2" 1X 2.5/16" NUT		01
33G	0503010123	1/2" BSPT PLUG		01
33H	0503010046	2-216 N 3006-9B O'RING		01
34	0501010161	1/2" X 1.1/4" BOLT		04
35	0503010019	1/2" SPRING WASHER		08
36	0511017302	FLAT WASHER		04
37	0501047963	DOUBLE COMMAND ASSY		01
37A	0503060198	3/8"-1/2" DOUBLE COMMAND		01
37B	0503011109	2-119 N 3006-9B O'RING		01
37C	0511018014	7/8"NF X 1.1/16 UN NIPPLE		01
37D	0503010045	O'RING		05
37E	0511010111	7/8" NIPPLE		04
37F	0511017957	LEVER SUPPORT FIXER		02
37G	0521010533	0.3" X 1" COUPLING SHAFT		02
37H	0503010257	1/8" X 1" COTTERPIN		02
38	0503010397	5/16" X 1-3/4" BOLT		02
39	0503011332	5/16" X 2-3/4" BOLT		01
40	0501010694	8.5 X 18 X 1.5 FLAT WASHER		01
41	0503010179	5/16" ZN SPRING WASHER		03
42	0503010337	5/16" NUT		03
43	0501047852	COMPLETE CONTROLLER		02
43A	0501067556	CONTROL VALVE ( V-985-4)		01
43B	0503030878	LEVER CRANK		01
44	0501040959	RETURNING FILTER ASSY		01
44A	0502050002	RETURNING FILTER HEAD		01
44B	0501010594	1" NUT		01
44C	0501010595	1" NF NIPPLE		01
44D	0503010545	RETURNING FILTER		01
45	0501013822	1" X 25.6" AB-AB HOSE		01
46	0503010184	CLAMP		04
47	0501063729	TANK OUTER TUBE		01
48	0501019120	1 X 950 AB-AB HOSE		01
49	0501080061	1/2 X 1700 TR-TC HOSE ASSY		01
50	0501080463	3/8 X 900 TC-TM HOSE		04
51	0503011628	FEMALE QUICK COUPLER		02
52	0503011627	MALE QUICK COUPLER AGR 1/2 NPT		02
53	0501068777	EXHAUST		01
54	0501010063	1/2" X 1-1/2" BOLT		04
55	0503010060	1/2" NUT		04
56	0501068213	5/8" WRENCH DOUBLE		01
57	0501061617	1" GANG BOLT WRENCH		01
58	0511010153	2-5/16" FIXED WRENCH		01



Item	Code	Description	See page	QT
01	0501049337			01
02	0511040484	CONTROL VALVE (P/COM 3/8 JD 5700)		01
03	0501080114	1/2 X 2200 HOSE TC-TC RIGHT		01
04	0541014313	7/8" X 1-1/32 RETURN NIPPLE		01
05	0501080841	1/2 X 2200 HOSE TC-TC 180G		01
06	0521010935	7/8 UNF NIPL X M22 X 1,5 X 52		02
07	0501080282	HOSE 1/2		01
08	0501080473	3/8" X 120" TC-TM HOSE		02
09	0501080523	3/8 X 1000 HOSE TC-TM		04
10	0501080275	1/2" X 1500 TR-TC HOSE ASSY		01
11	0501053834	MALE QUICK COUPLER WITH CAP - 1/2 NPT		06
12	0501053835	FEMALE QUICK COUPLER		06



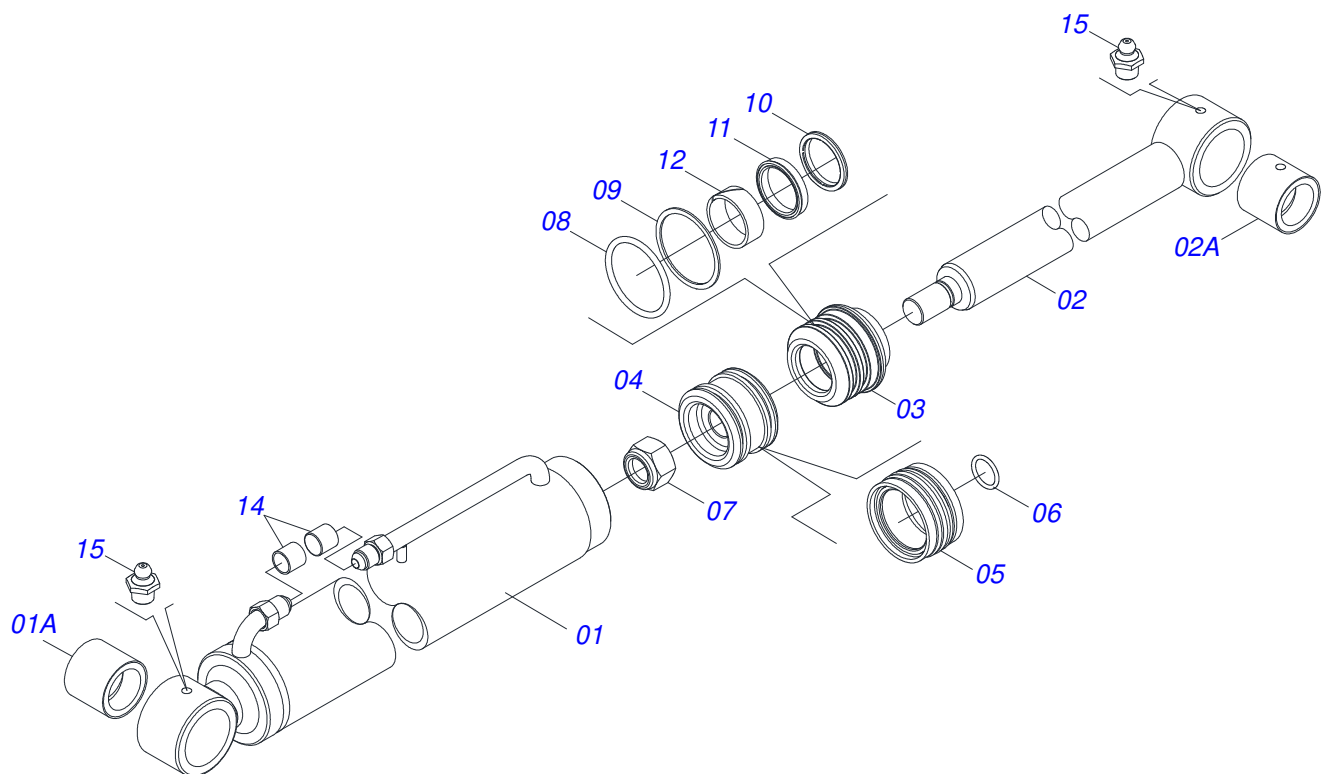
Item	Code	Description	See page	QT
001	0502012382	RIGHT MOBILE TOWER		01
002	0502012381	LEFT MOBILE TOWER		01
003	0501068663	MOBILE SUPPORT		01
004	0511019519	1.5" X 1.4" PIVOT SHAFT		02
005	0503010534	3/8 X 2-1/2 COTTERPIN		02
006	0503010002	1800 GREASE FITTING		04
007	0521050762	44,45 X 76,20 X 865 X 555 HYDRAULIC CYLINDER	6	02
008	0521010904	1.5" X 1.4" PIVOT SHAFT		02
009	0501012916	FLAT WASHER 38,50 X 66 X 4,75 ZN		02
010	0511019520	1.5" X 1.4" PIVOT SHAFT		02
011	0501068621	INNER OIL TUBE		01
012	0501068622	OUTER OIL TUBE		01
013	0501068615	OIL TUBE ASSY		01
014	0521062856	INTERNAL LOWER OIL DISTRIBUTOR		01
015	0503011102	BOLT 7/16 UNC X 1.1/4 C S G.5 ZN		03
016	0503010180	7/16" SPRING WASHER		06
017	0503012555	SCREW 7/16 UNC X 2 CS RT G.7 ZN		03
018	0502010477	HOSE CLAMP		03
019	0531011180	UPPER BODY CLIP		06
020	0503011968	3/4" 8R6X-S T ADAPTER WITH SWIVEL NUT		02
021	0511019876	1/2" NIPPLE		04
022	0501053835	FEMALE QUICK COUPLER		02
023	0501053834	MALE QUICK COUPLER WITH CAP - 1/2 NPT		02
024	0521050764	HOSE SET OF MOBILE HOLDER - PCA 600		01
024A	0503033158	PLASTIC BAG		01
024B	0501080635	3/8" X 19" TR-TR HOSE		02
024C	0501080105	TR-TR HOSE ASSY		02
024D	0501080413	3/8" X 27" TR-TC HOSE		02
025	0521052272	44,45 X 101,60 X 668 X 418 HYDRAULIC CYLINDER - PCA 600	7	01
026	0511019521	1.5" X 1.4" PIVOT SHAFT		02
027	0503010071	3/16" X 1" COTTERPIN		08



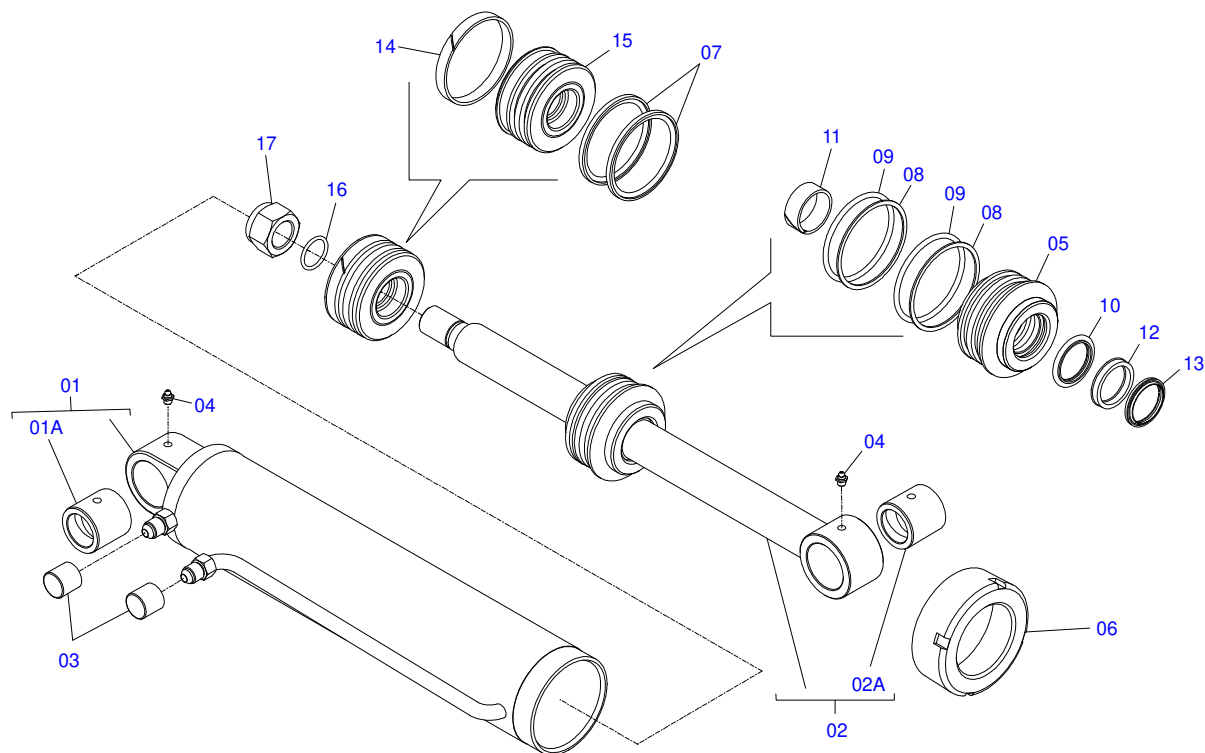
PCA 600 VALTRA/VALMET 785/785-4 BT  
FULL MOVABLE STAND - PCA 785-4 CD SHT

Page 5  
0501047635

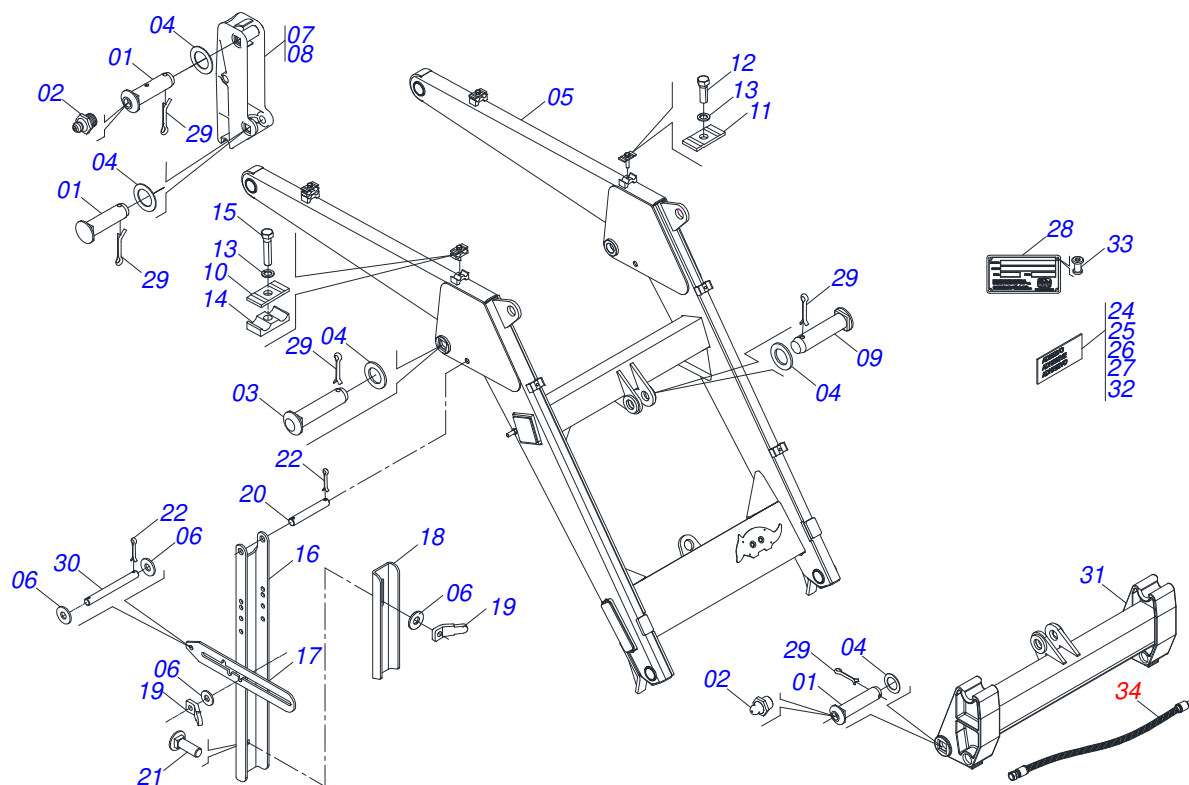
Item	Code	Description	See page	QT
028	0503014378	1/2" X 1-1/2" BOLT		02
029	0511017302	FLAT WASHER		06
030	0561016329	LATCH HOLDER REST PCA		04
031	0511013598	3/4" X 4.7" COUPLING SHAFT		02
032	0561016619	COMPLEMENTON REST		02
033	0511019634	CONTROL LOCK		02
034	0561016401	PLOUGH SUPPORT BODY		02
035	0503010003	1845 GREASE FITTING		02
036	0521012823	COUPLING SHAFT		02
037	0501068598	JOINT SUPPORT		01



Item	Code	Description	See page	QT
01	0511071163	76,20 X 740 CYLINDER CASE		01
01A	0521010514	38,1 X 52,9 X 50 SLEEVE INTER		01
02	0521066424	AIR TURNBUCKLE		01
02A	0521010514	38,1 X 52,9 X 50 SLEEVE INTER		01
03	0581010301	RING SUPPORT		01
04	0581010304	PISTON		01
05	0503018136	ZW 007600260 AGEL RING		01
06	0503010042	2-214 N 3006-9B O-RING		01
07	0503010063	1" SELF-ALIGNING NUT		01
08	0503010343	2-334 N 3006-9B O-RING		02
09	0503011059	8-334 BACK-UP RING		02
10	0503010761	D-1750 SCRAPER RING		01
11	0503017937	GASKET		01
12	0503017938	RING GUIDE		01
13	0502011899	MOBILE COVER		01
14	0503030385	CYLINDER PLUG N-002		02
15	0503010002	1800 GREASE FITTING		02



Item	Code	Description	See page	QT
01	0521068443	101,60 X 548 CYLINDER BODY - PCA 600		01
01A	0521010514	38,1 X 52,9 X 50 SLEEVE INTER		01
02	0521068362	44,45 X 610 EXTENDER - PCA 600		01
02A	0521010514	38,1 X 52,9 X 50 SLEEVE INTER		01
03	0503030385	CYLINDER PLUG N-002		02
04	0503010002	1800 GREASE FITTING		02
05	0581010302	RING OF SUPPORT		01
06	0502012822	101.60 END CAP		01
07	0503018158	OE 101605200211D-BR RING BS		02
08	0503011061	8-342 BACK-UP RING		02
09	0503010338	2-342 N 3006-9B O'RING		02
10	0503017936	RING		01
11	0503017938	RING GUIDE		01
12	0503017937	GASKET		01
13	0503010761	D-1750 SCRAPER RING		01
14	0503010994	W2-4000-500 PK RING G.E		01
15	0581010303	PISTON 4 - PCA 600		01
16	0503018029	2-217 O'RING		01
17	0503010817	1.1/4" SELF LOCKING NUT		01



Item	Code	Description	See page	QT
01	0511019519	1.5" X 1.4" PIVOT SHAFT		06
02	0503010002	1800 GREASE FITTING		06
03	0511019521	1.5" X 1.4" PIVOT SHAFT		02
04	0511019685	FLAT WASHER		08
05	0501068663	MOBILE SUPPORT		01
06	0511017302	FLAT WASHER		08
07	0502012382	RIGHT MOBILE TOWER		01
08	0502012381	LEFT MOBILE TOWER		01
09	0521010904	1.5" X 1.4" PIVOT SHAFT		02
10	0503010003	1845 GREASE FITTING		02
11	0531011180	UPPER BODY CLIP		06
12	0503011102	BOLT 7/16 UNC X 1.1/4 C S G.5 ZN		03
13	0503010180	7/16" SPRING WASHER		06
14	0502010477	HOSE CLAMP		03
15	0503012555	SCREW 7/16 UNC X 2 CS RT G.7 ZN		03
16	0561016401	PLOUGH SUPPORT BODY		02
17	0511019634	CONTROL LOCK		02
18	0561016619	COMPLEMENTON REST		02
19	0561016329	LATCH HOLDER REST PCA		04
20	0511013598	3/4" X 4.7" COUPLING SHAFT		02
21	0503014378	1/2" X 1-1/2" BOLT		02
22	0503010071	3/16" X 1" COTTERPIN		08
23	0503013527	CLAMP ZIPER		04
24	0503031087	ADHESIVE LABEL		01
25	0503062214			01
26	0503031428	READ MANUAL DECAL		01
27	0503031827	LUBRICATE AND RETIGHTEN DAILY DECAL		01
28	0503034003	SERIAL NUMBER TAG 61 X 118		01
29	0503010534	3/8 X 2-1/2 COTTERPIN		10
30	0521012823	COUPLING SHAFT		02
31	0501068598	JOINT SUPPORT		01

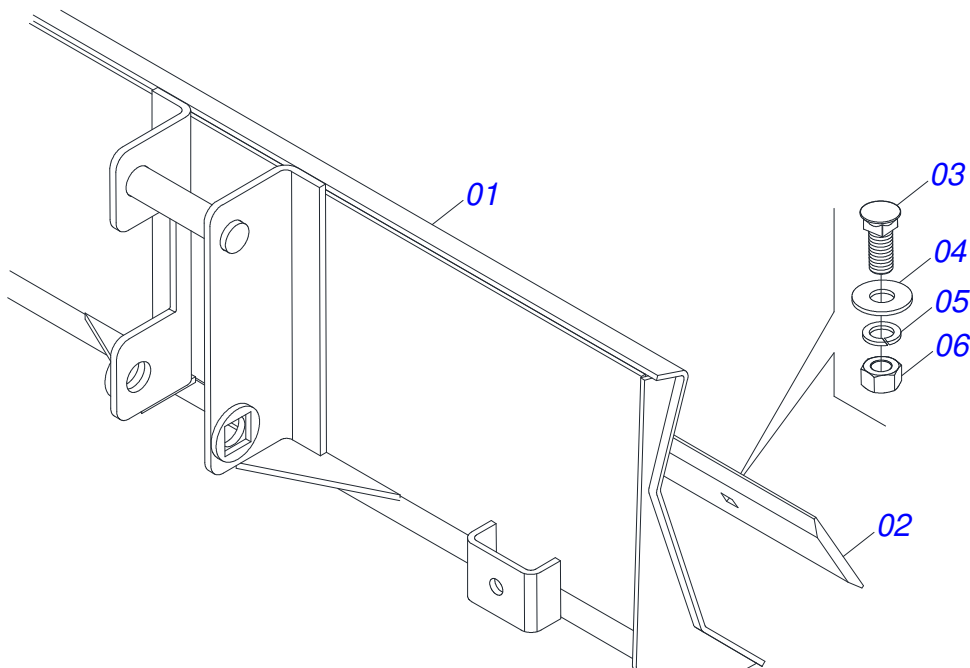


MOBILE SUPPORT

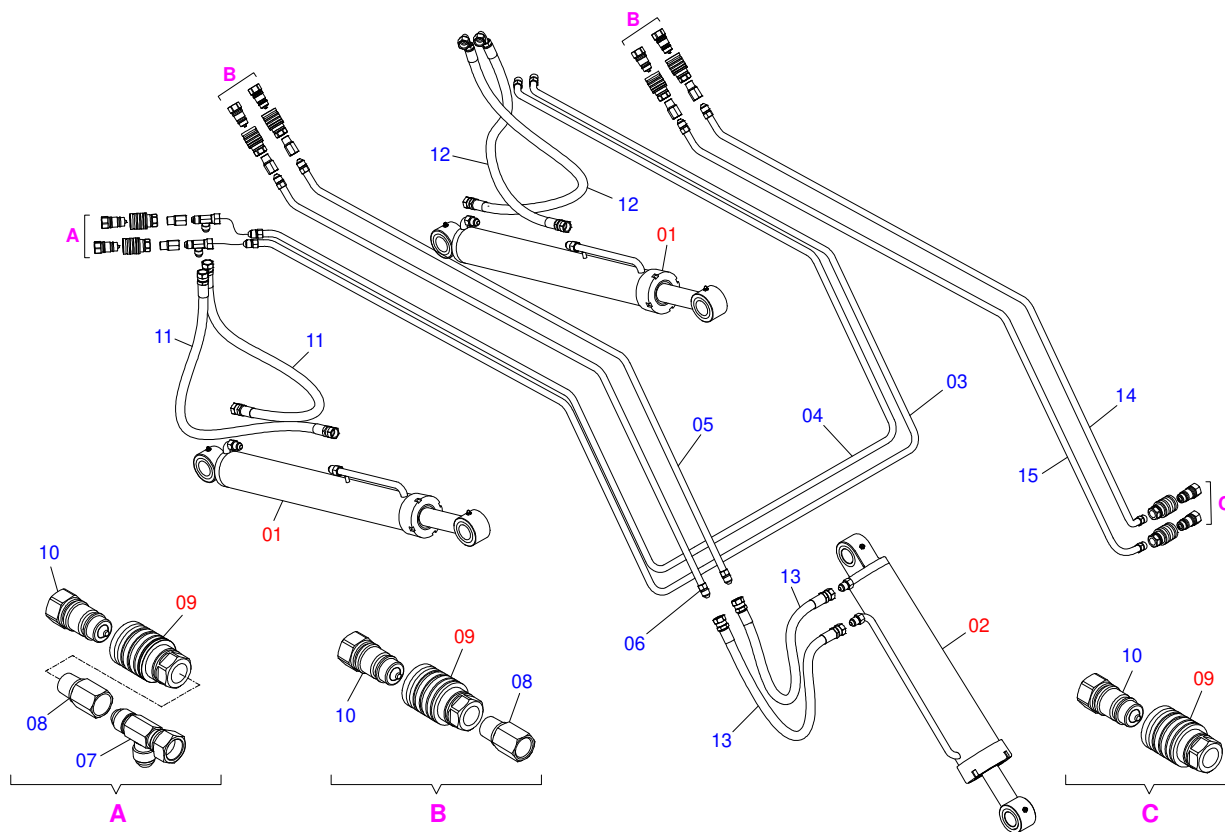
0501048786

Item	Code	Description	See page	QT
32	0503034078	LIFTING POINTS DECAL		03
33	0503010001	3.2 X 5.5 RIVET		04
34	0909094775	HYDRAULIC CIRCUIT OF MOBILE SUPPORT - PCA 600		01





Item	Code	Description	See page	QT
01	0511064165	BLADE FRONT		01
02	0531019518	SCRAPER 2220 X 6 X 1/2		01
03	0501012239	5/8" X 1.3/4" BOLT		07
04	0571010265	16.5 X 40 X 3 FLAT WASHER		07
05	0503011445	SPRING WASHER		07
06	0503010013	5/8" NUT		07



Item	Code	Description	See page	QT
01	0521050762	44,45 X 76,20 X 865 X 555 HYDRAULIC CYLINDER	6	02
02	0521052272	44,45 X 101,60 X 668 X 418 HYDRAULIC CYLINDER - PCA 600	7	01
03	0501068622	OUTER OIL TUBE		01
04	0501068621	INNER OIL TUBE		01
05	0501068615	OIL TUBE ASSY		01
06	0521062856	INTERNAL LOWER OIL DISTRIBUTOR		01
07	0503011968	3/4" 8R6X-S T ADAPTER WITH SWIVEL NUT		02
08	0511019876	1/2" NIPPLE		06
09	0501053835	FEMALE QUICK COUPLER		08
10	0501053834	MALE QUICK COUPLER WITH CAP - 1/2 NPT		08
11	0501080105	TR-TR HOSE ASSY		02
12	0501080413	3/8" X 27" TR-TC HOSE		02
13	0501080635	3/8" X 19" TR-TR HOSE		02
14	0501068679	LEFT OIL TUBE		01
15	0501068549	RIGHT OIL TUBE		01





**MARCHESAN**

**Technical Publications | Elaboration and Revision**  
JOSÉ DOMINGOS GASPARI

[www.marchesan.com.br](http://www.marchesan.com.br)

