

# ***PARTS CATALOG***

## **PCA - AGRICULTURAL FRONT LOADER**

**PCA 1100 BT/SHT JOHN DEERE**

**Code: 0501090556**



**Series: S-0200**

**Rev.: 00**

**Date Rev.: MAIO/2019**

**ORIGINAL PARTS  
TATU**



# PRODUCTS

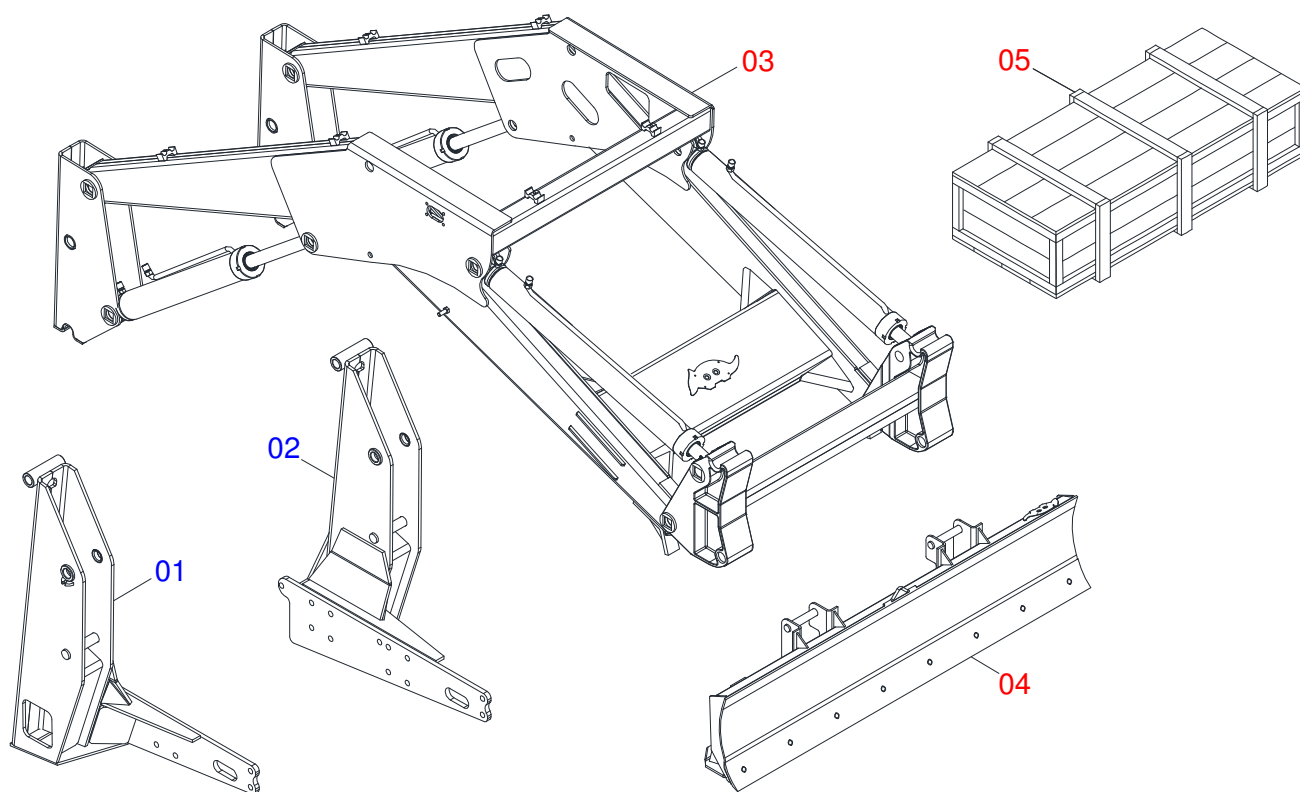
Code	Description
0106110315	PCA 1100JD6600-4/7500-4BTSC CABS200

## ATTENTION: **IMPORTANT**

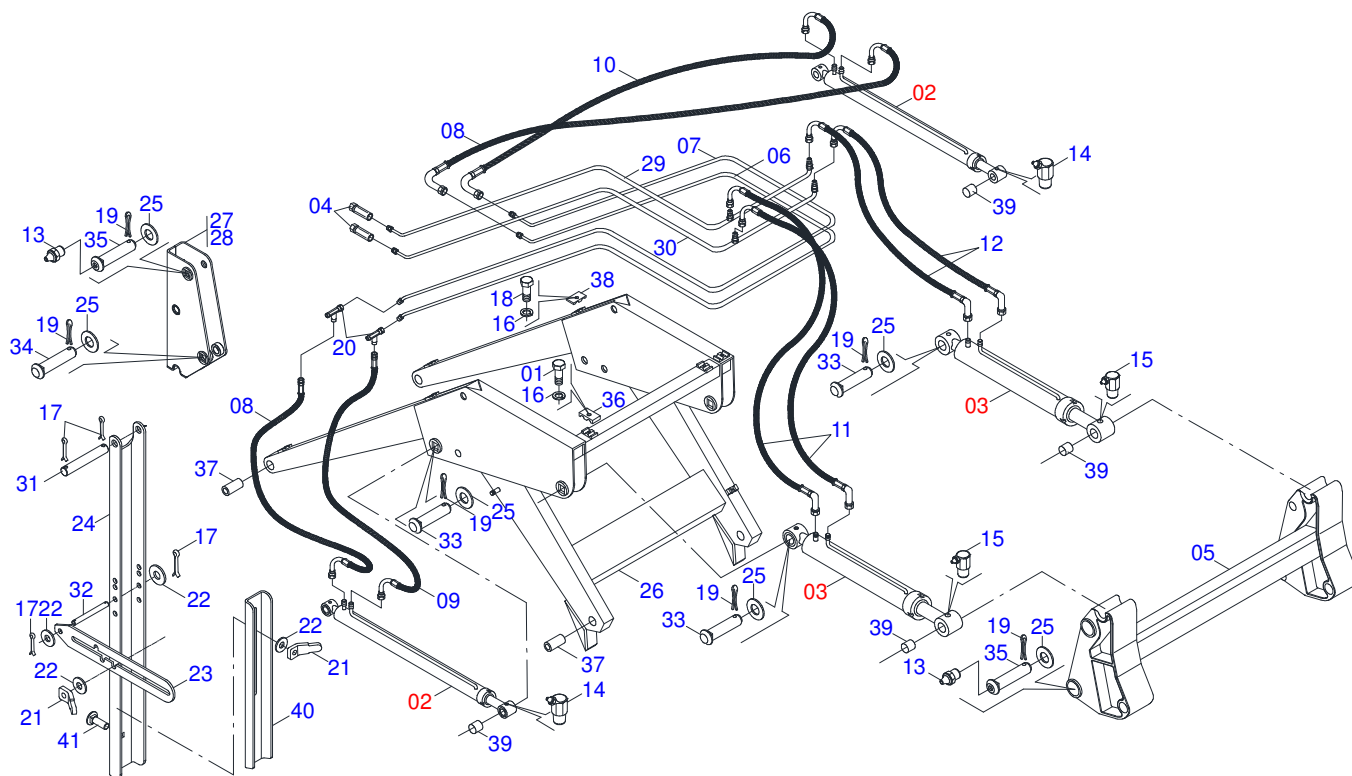
MARCHESAN S/A RESERVES THE RIGHT AT ANY TIME TO MAKE IMPROVEMENTS IN THE DESIGN, MATERIAL OR SPECIFICATIONS OF MACHINERY, EQUIPMENT OR PARTS WITHOUT THEREBY BECOMING LIABLE TO MAKE SIMILAR CHANGES IN MACHINERY, EQUIPMENT OR PARTS PREVIOUSLY SOLD.

# INDEX

0106110315	PCA 1100JD6600-4/7500-4BTSC CAB S-0200	.....	1
0501049349		.....	2
0511057974	44,45 X 85,72 X 870 X 593 HYDRAULIC CYLINDER	.....	3
0511057973	HIDRAULIC CYLINDER 44,45 X 76,20 X 820 X 551	.....	4
0501053834	MALE QUICK COUPLING AGRICULTURAL WITH COVER - 1/2 NPT	.....	5
0511043382	DOZER BLADE 2400 - PCA 800	.....	6
0501027162		.....	7
0501035350		.....	8



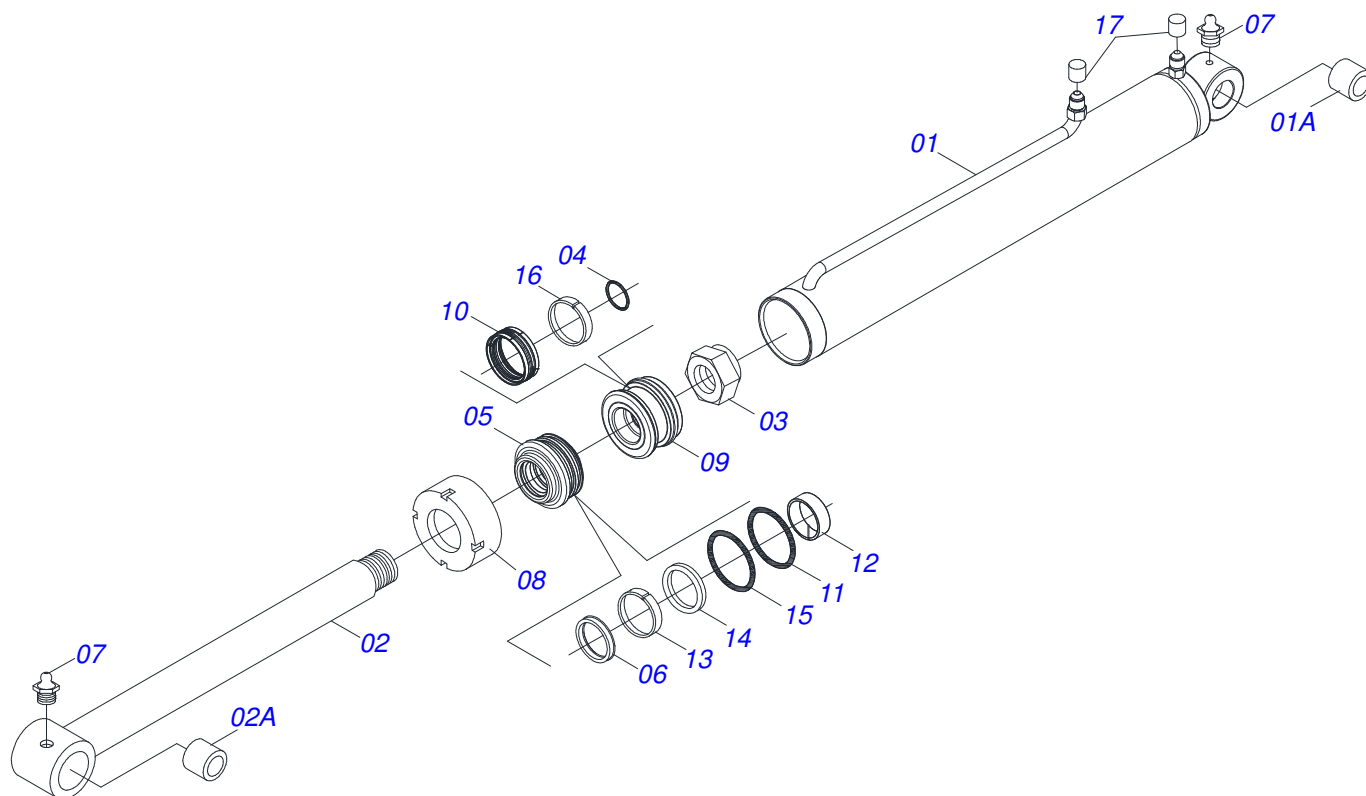
Item	Code	Description	See page	QT
01	0511062571	RIGHT FRAME		01
02	0511062573	LEFT FRAME		01
03	0501049349		2	01
04	0511043382	DOZER BLADE 2400 - PCA 800	6	01
05	0501027162		7	01



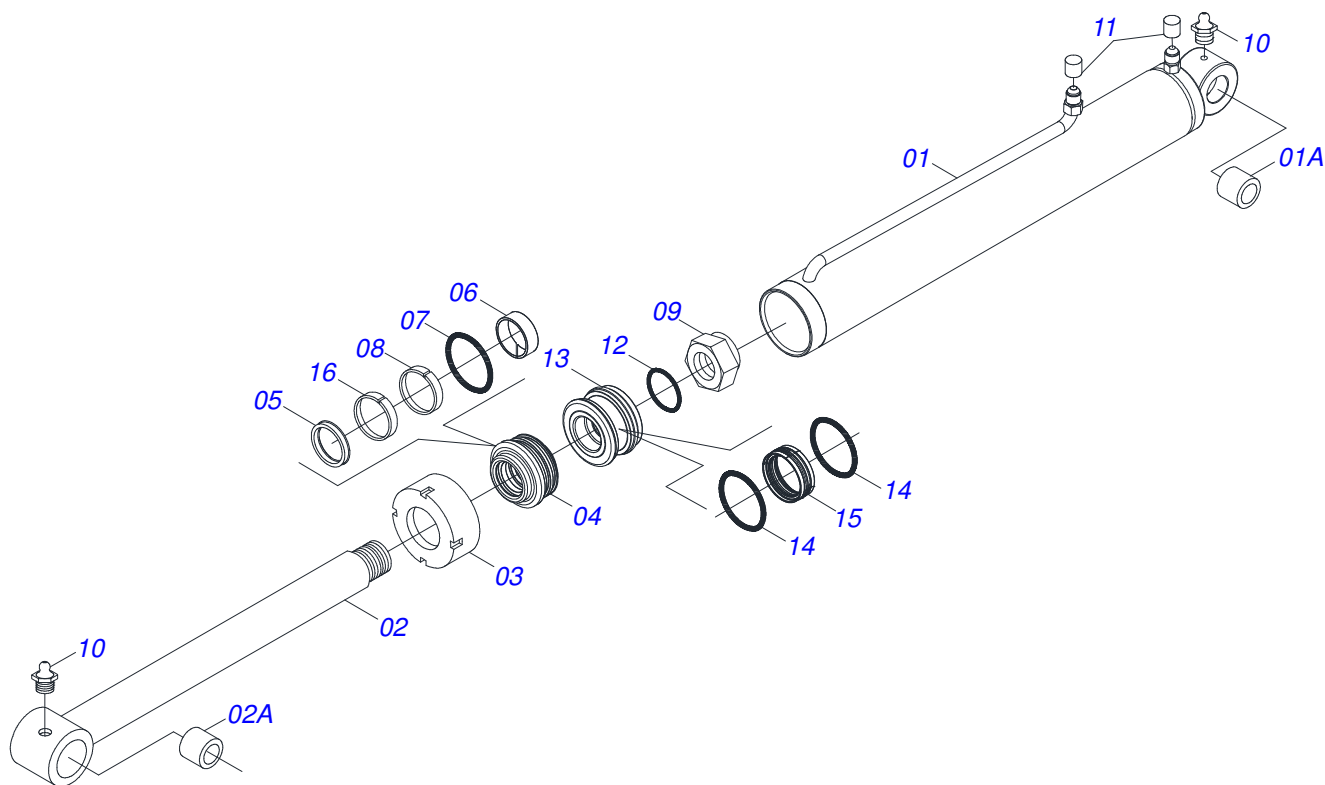
Item	Code	Description	See page	QT
01	0503012555	7/16" X 2" BOLT		04
02	0511057974	44,45 X 85,72 X 870 X 593 HYDRAULIC CYLINDER	3	02
03	0511057973	HIDRAULIC CYLINDER 44,45 X 76,20 X 820 X 551	4	02
04	0501053834	MALE QUICK COUPLING AGRICULTURAL WITH 5 COVER - 1/2 NPT		02
05	0501069146	JOINT SUPPORT PCA 800		01
06	0501069860	OUTER OIL TUBE		01
07	0501069861	INNER OIL TUBE		01
08	0501080150	TR-TC HOSE ASSY		01
09	0501080105	TR-TR HOSE ASSY		02
10	0501080766	3/8" X 27.56" TC-TC HOSE		01
11	0501080688	3/8" X 25" TC-TC 90G HOSE		02
12	0501080777	LH 3/8" X 25.9" TC-TC HOSE		02
13	0503010002	1800 GREASE FITTING		06
14	0503010003	1845 GREASE FITTING		02
15	0503010004	1890 GREASE FITTING		02
16	0503010180	7/16" SPRING WASHER		06
17	0503010071	3/16" X 1" COTTERPIN		10
18	0503011102	PARAFUSO 7/16 UNC X 1.1/4 C S G.5		02
19	0503010534	3/8 X 2-1/2 COTTERPIN		10
20	0503011968	T ADAPTOR WITH GIRAT		02
21	0561016329	LATCH HOLDER REST PCA		04
22	0511017302	FLAT WASHER		14
23	0511019634	CONTROL LOCK		02
24	0561016401	PLOUGH SUPPORT BODY		02
25	0511019685	FLAT WASHER		12
26	0511060289	MOBILE SUPPORT PCA 1100		01
27	0502012472	MOBILE TOWER		01
28	0502012473	LEFT MOBILE TOWER		01
29	0501069857	RIGHT RIGHT OIL TUBE		01
30	0501069858	LH RIGHT OIL TUBE		01
31	0511013598	3/4" X 4.7" COUPLING SHAFT		02



Item	Code	Description	See page	QT
32	0521012823	COUPLING SHAFT		04
33	0521012868	1.4" X 5" PIVOT SHAFT		04
34	0521012869	COUPLING SHAFT		02
35	0521012870	1.46" X 6.18" PIVOT SHAFT		04
36	0531011180	UPPER BODY CLIP		02
37	0521011903	1.48" X 1.77" X 3.93" SLEEVE INTER		04
38	0502010477	UPPER CLIP		08
39	0521010514	38,1 X 52,9 X 50 SLEEVE INTER		08
40	0561016619	COMPLEMENTON REST		01
41	0503014378	1/2" X 1-1/2" BOLT		01

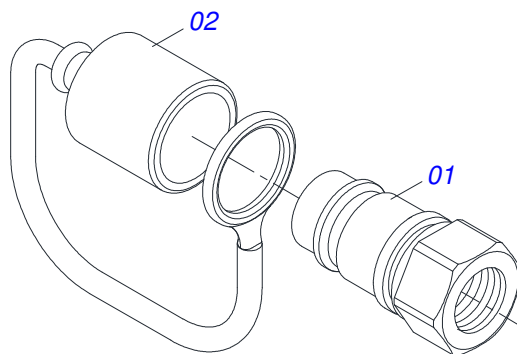


Item	Code	Description	See page	QT
01	0511069198	BODY SHIRT WITH MAKING		01
01A	0521010514	38,1 X 52,9 X 50 SLEEVE INTER		01
02	0521066404	44,45 X 772 TURNBUCKLE		01
02A	0521010514	38,1 X 52,9 X 50 SLEEVE INTER		01
03	0503010063	1" SELF-ALIGNING NUT		01
04	0503010042	2-214 N 3006-9B O'RING		01
05	0571019711	RING SUPPORT		01
06	0503010761	D-1750 SCRAPER RING		01
07	0503010002	1800 GREASE FITTING		02
08	0571019709	DETACHABLE COVER		01
09	0571019710	1.7" X 3.4" PISTON		01
10	0503017935	RING		01
11	0503017936	RING		01
12	0503017938	RING GUIDE		01
13	0503017937	GASKET		01
14	0503017940	8-337 BACK-UP RING		02
15	0503017939	2-337 N 3006-9B O' RING		02
16	0503018144	RING		01
17	0503030385	CYLINDER PLUG N-002		02

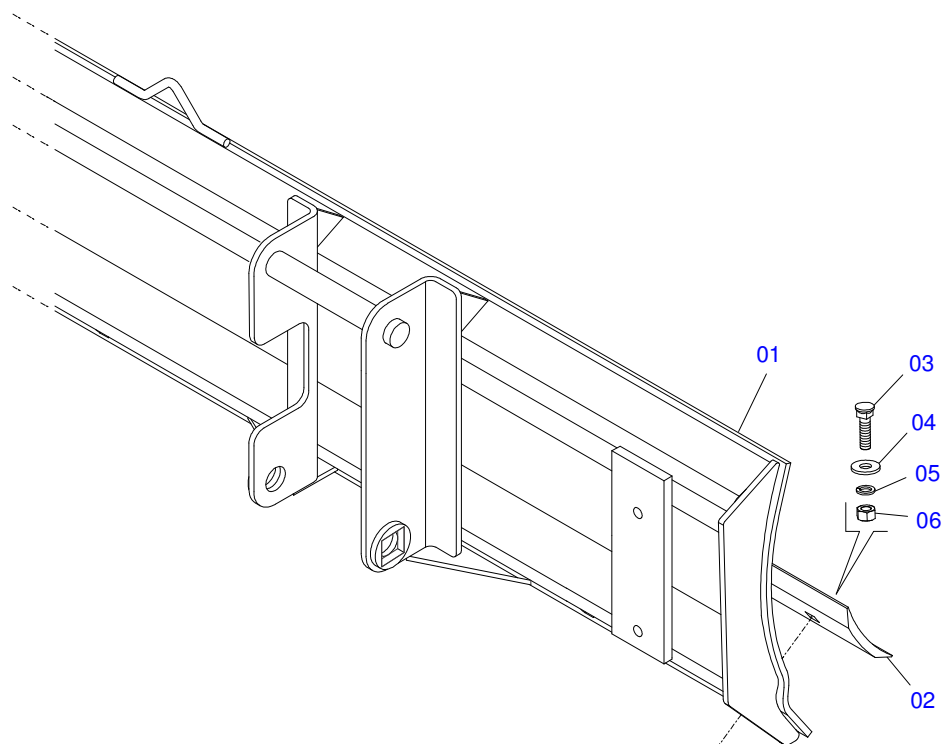


Item	Code	Description	See page	QT
01	0521066381	CYLINDER CASE 76,20 X 723		01
01A	0521010514	38,1 X 52,9 X 50 SLEEVE INTER		01
02	0511065578	1.7" X 28.18" TURNBUCLE		01
02A	0521010514	38,1 X 52,9 X 50 SLEEVE INTER		01
03	0502011899	MOBILE COVER		01
04	0502012264	RING SUPPORT 1.75" X 3"		01
05	0503010761	D-1750 SCRAPER RING		01
06	0503010949	W2-2000-500 PK RING G.E		01
07	0503010343	2-334 N 3006-9B O'RING		01
08	0503011059	8-334 BACK-UP RING		01
09	0503010063	1" SELF-ALIGNING NUT		01
10	0503010002	1800 GREASE FITTING		02
11	0503030385	CYLINDER PLUG N-002		02
12	0503010042	2-214 N 3006-9B O'RING		01
13	0581010304	PISTON		01
14	0503018138	RING BS		02
15	0503018140	RING GUIDE		01
16	0503017937	GASKET		01

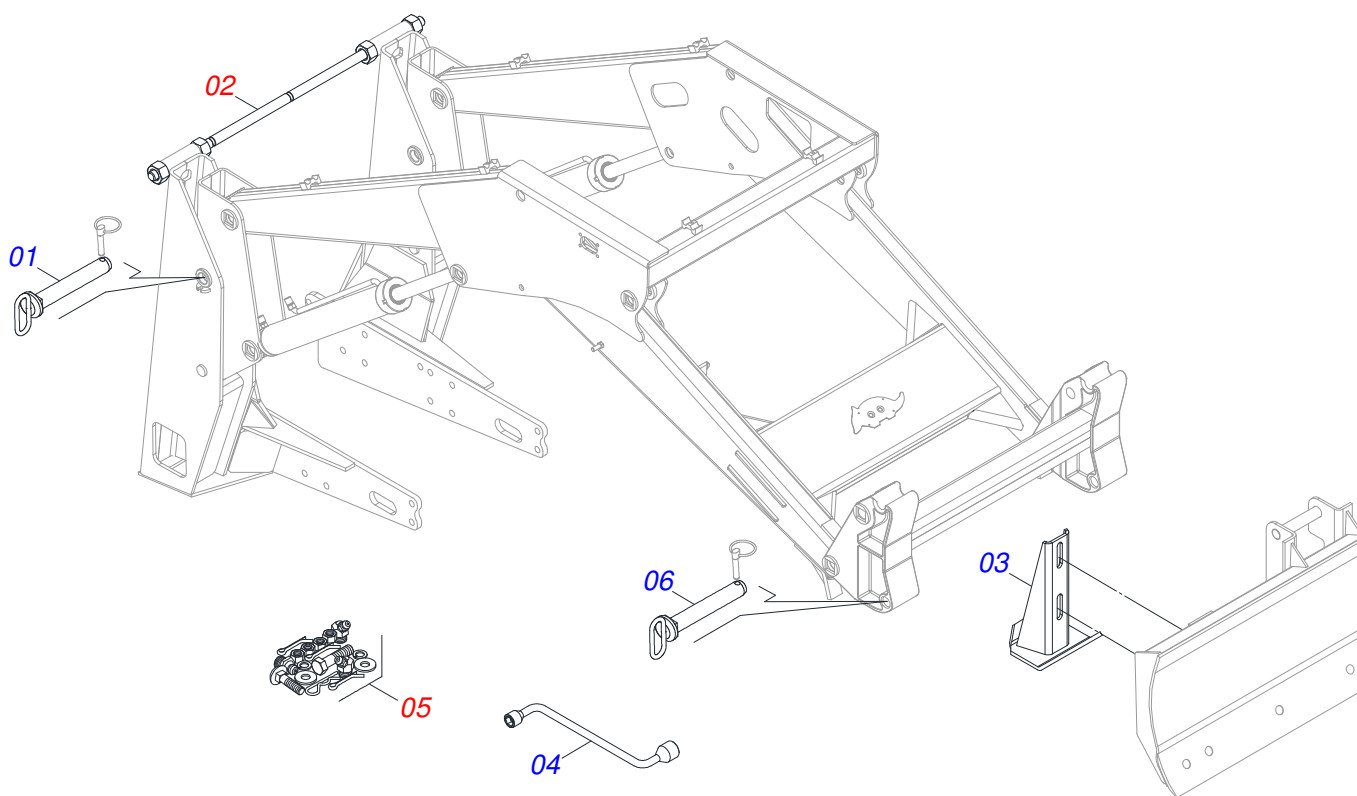




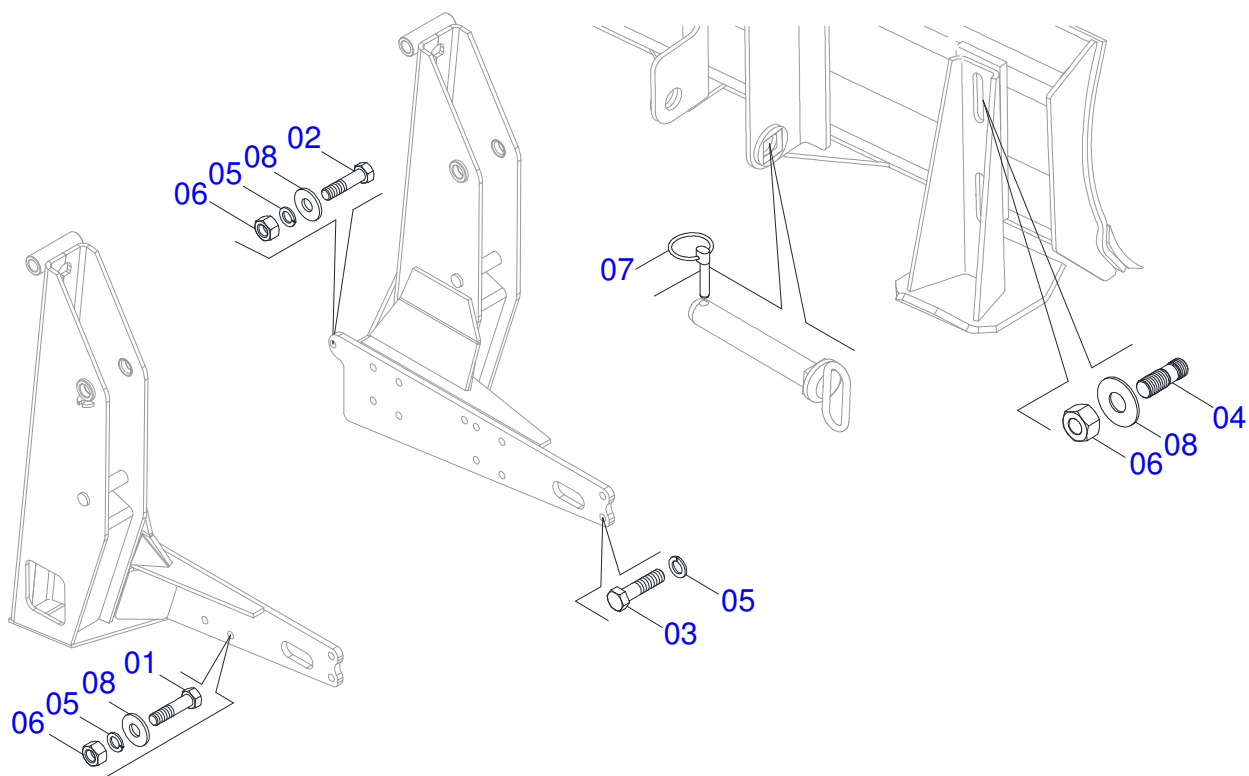
Item	Code	Description	See page	QT
01	0503011627	QUICK CONNECTION (MALE) AGR 1/2 NPT		01
02	0503011882	QUICK CONNECTION COVER		01



Item	Code	Description	See page	QT
01	0501069112	2400MM DOZER BLADE		01
02	0622360016	94.5" SCRAPER REVERSIBLE		01
03	0501012240	5/8" X 2-1/2" BOLT		08
04	0501012140	FLAT WASHER		08
05	0503011445	SPRING WASHER		08
06	0503010013	5/8" NUT		08



Item	Code	Description	See page	QT
01	0511064410	1.5" X 8.1" COUPLING SHAFT		02
02	0501049710	1.1/4 UNC X 1160 ROD		01
03	0501063411	ESTABILIZER BRACKET		02
04	0501068213	5/8" WRENCH DOUBLE		01
05	0501035350		8	01
06	0521066515	37,20 X 240 ARTICULATION SHAFT WITH HANDLE		02



Item	Code	Description	See page	QT
01	0503013390	3/4" UNC BOLT		18
02	0503013111	M20 X 2,5 X 65 BOLT		02
03	0503013090	M20 X 2,5 X 100 BOLT		04
04	0561016756	3/4 UNC X 3/4 UNC X 56 PRISONER		04
05	0503010023	SPRING WASHER		24
06	0503010014	3/4" NUT		22
07	0503030430	7/16 X 2" PIN LOCK		04
08	0501010322	FLAT WASHER		24





**MARCHESAN IMPLEMENTOS E MÁQUINAS AGRÍCOLAS TATU S.A.**

AV. Marchesan, 1979 - Post office box, 131 - CEP 15994-900 - Matão - SP - Brazil

Phone +55 16.3382-8282

(FAX Parts) + 55 16.3382. 8297 - (Export) + 55 16.3382.1003

e.mail: [tatu@marchesan.com.br](mailto:tatu@marchesan.com.br) [www.marchesan.com.br](http://www.marchesan.com.br)

**Technical Publications: Elaboration**

JOSÉ DOMINGOS GASPARI

*Contact Catálogo:*

*E-mail = [jgaspari@marchesan.com.br](mailto:jgaspari@marchesan.com.br)*

**Technical Publications: Revision**

MARINA PEREZ NIZA

**ORIGINAL PARTS  
TATU**

