

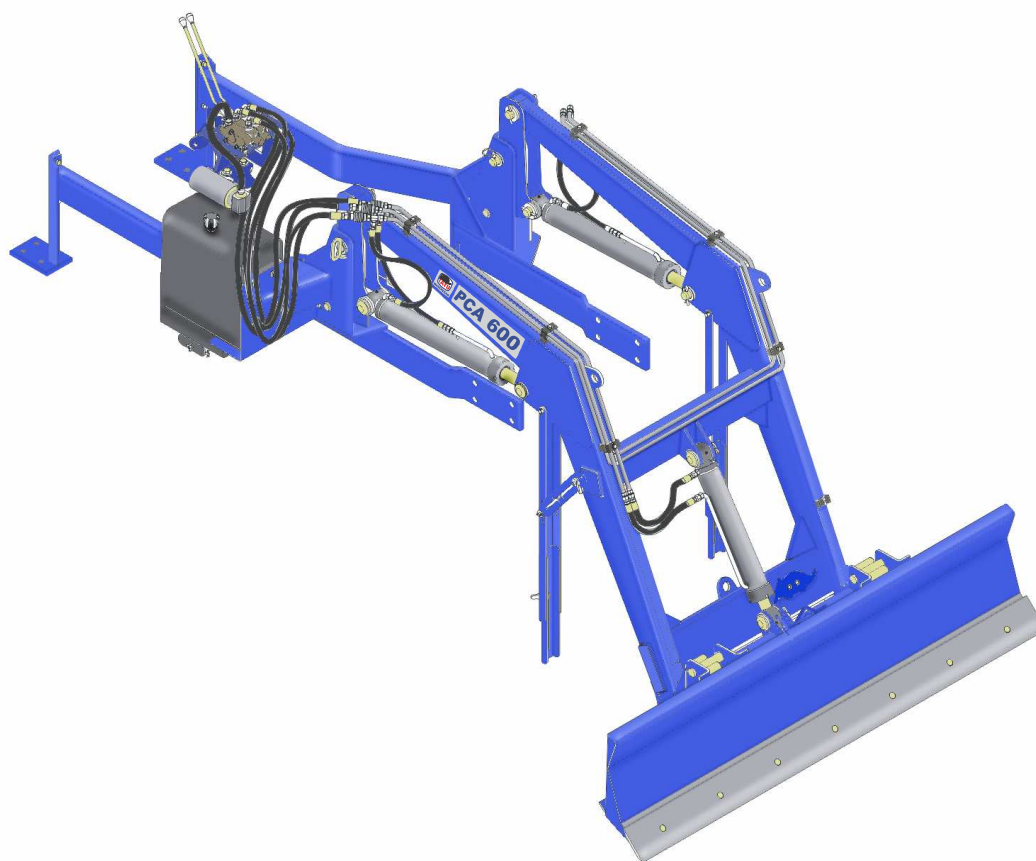
PCA - AGRICULTURAL FRONT LOADER

Code:

0501090554

Product:

PCA 600 FNH 5630 A 6630-4 SHT CD SL

**Series:**

S-0899

Revision:

00

Date Revision:

MARÇO/2018



PRODUCTS

Code	Description
0106110016	PCA 600 FNH 5630A6630-4 SHT CD SL

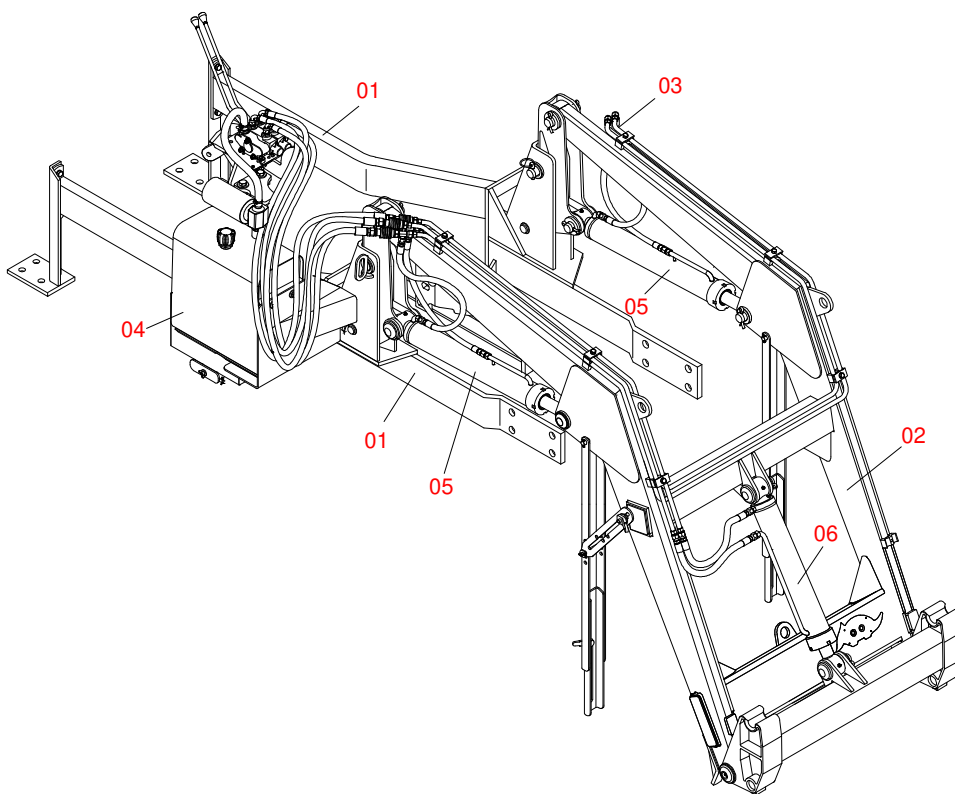
ATTENTION: IMPORTANT

Marchesan S.A. reserves the right to improve and / or modify the technical features of its products, without obligation to do the same with those products already sold and without prior knowledge of the dealer or the consumer.

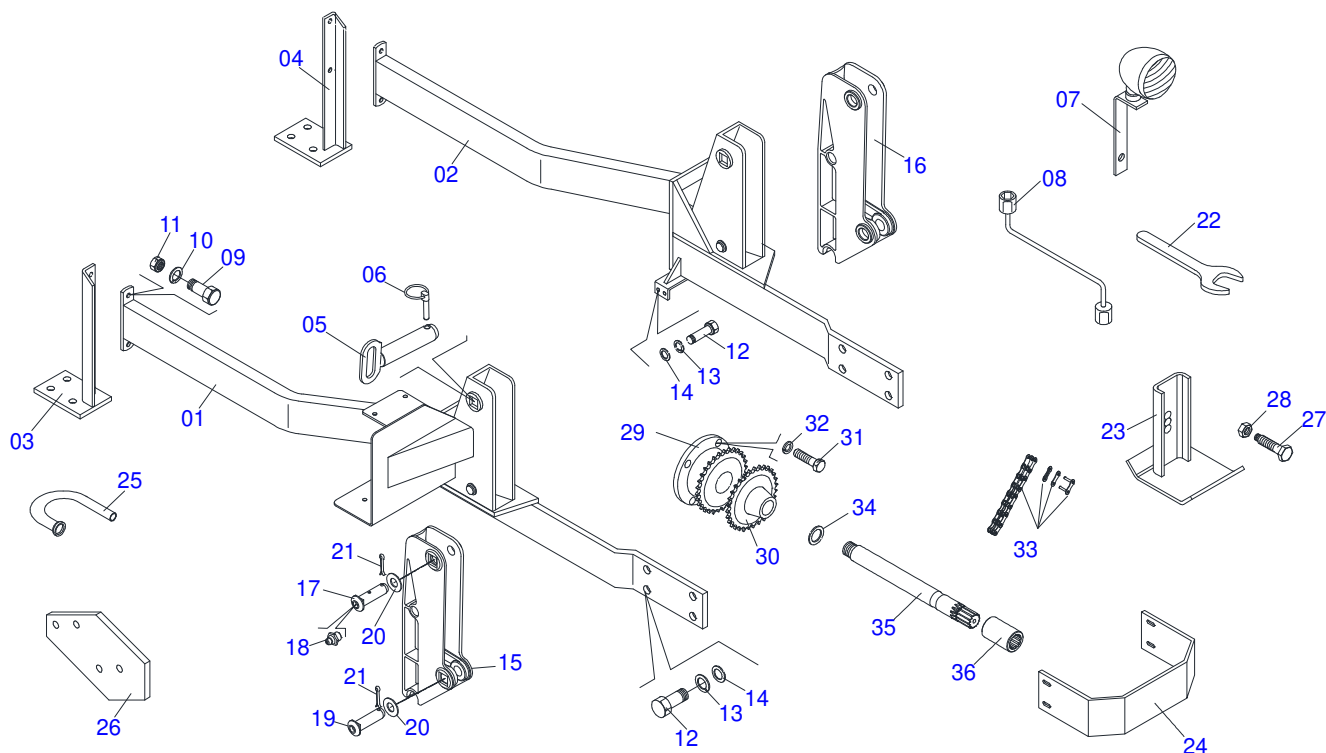


INDEX

0106110016	PCA 600 FNH 5630A6630-4 SHT CD SL	1
0909093874	FRAME ASSEMBLY PCA 600 NH BT SC PCA 600 FNH 5630A6630-4 SHT CD SL S899	1
0909092383	MOVEL SUPPORT SET PCA 600	2
0909092343	2200MM DOZER BLADE COMPLETE	3
0909093869	HYDRAULIC CIRCUIT SUPPORT MOVEL PCA 600	4
0909093875	HYDRAULIC CIRCUIT SHT NH PCA 600 CD	5
0501047575	OIL RESERVOIR ASSY	6
0501044573	FULL PUMP WITH PIPELINES - F5600/6630	7
0521050762	44,45 X 76,20 X 865 X 555 HYDRAULIC CYLINDER	8
0511057887	HYDRAULIC CYLINDER	9
0501053834	MALE QUICK COUPLER WITH CAP - 1/2 NPT	10



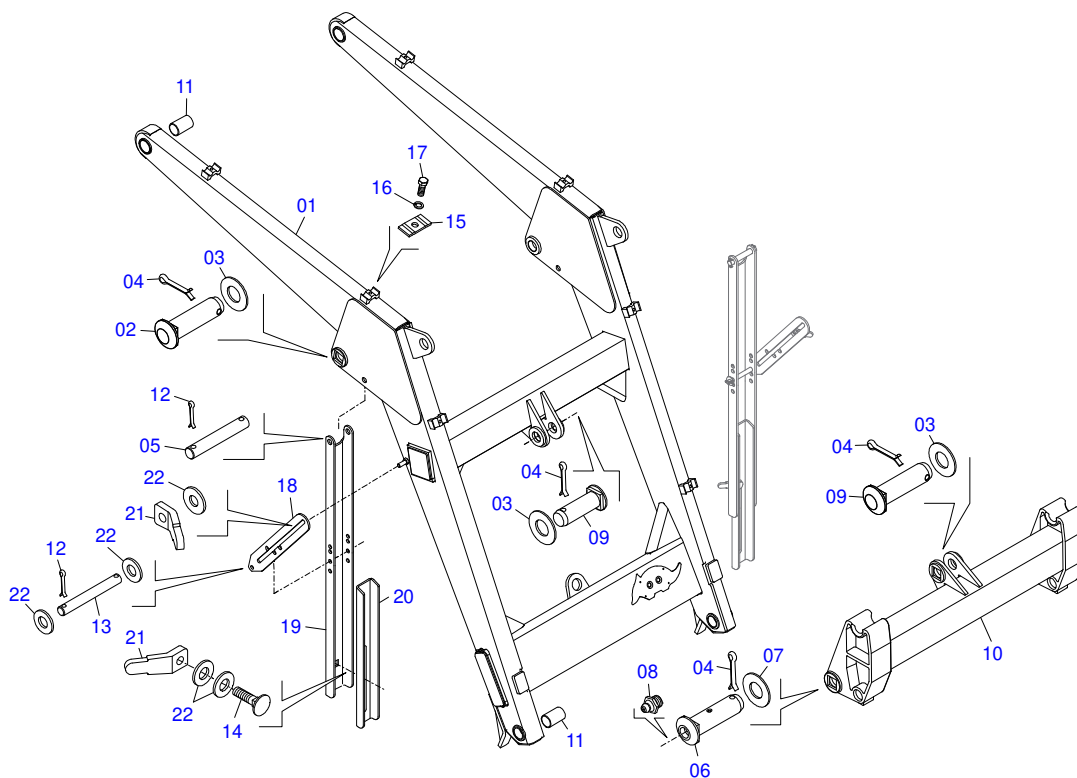
Item	Code	Description	See page	QT
001	0909093856	FRAME ASSEMBLY PCA 600 NH BT SC PCA 600 FNH 5630A6630-4 BT SC SL S899		01
002	0909092383	MOVEL SUPPORT SET PCA 600	2	01
003	0909093869	HYDRAULIC CIRCUIT SUPPORT MOVEL PCA 600	4	01
004	0909092342	HYDRAULIC CIRCUIT PCA 600 BT		01
005	0521050762	44,45 X 76,20 X 865 X 555 HYDRAULIC CYLINDER	8	02
006	0511057887	HYDRAULIC CYLINDER	9	01
007	0501053834	MALE QUICK COUPLER WITH CAP - 1/2 NPT	10	04



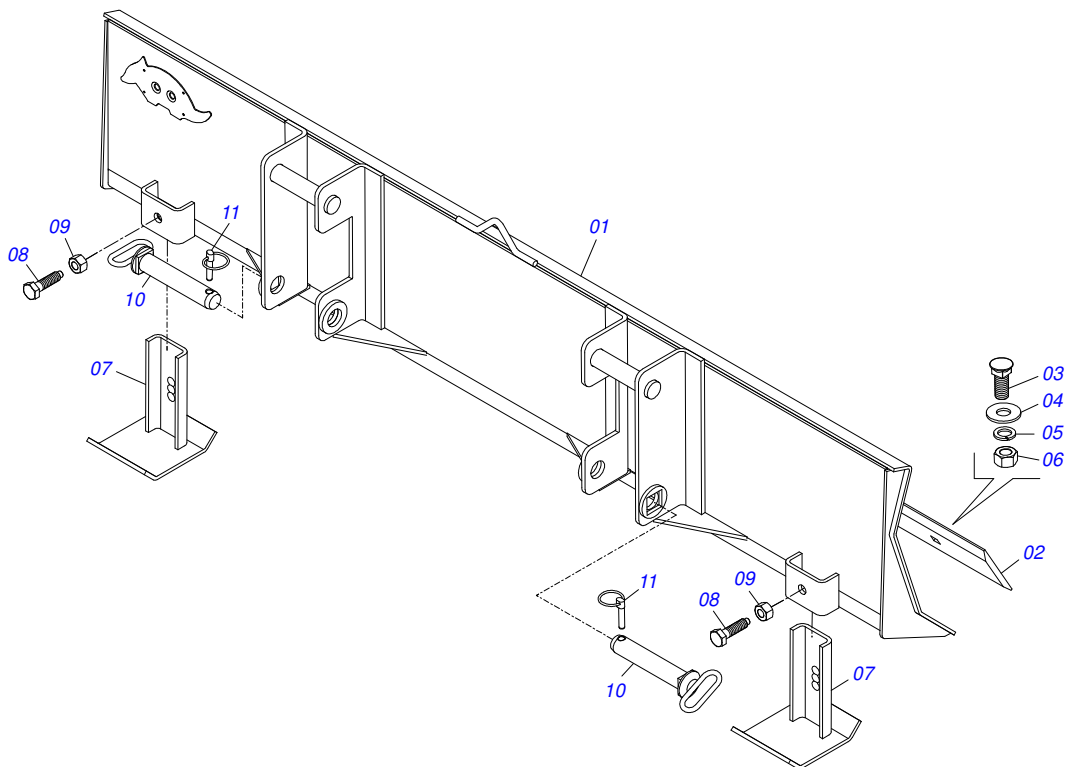
Item	Code	Description	See page	QT
01	0511061059	RH FRAME PCA F 5630 A 6630-4 SHT		01
02	0511061061	LEFT FRAME PCA F 5630 A 6630-4 BT		01
03	0501068672	RH FRAME BRACKET		01
04	0501068673	LH FRAME BRACKET		01
05	0511064616	1.5" X 6.9" COUPLING SHAFT		02
06	0503030430	7/16 X 2" PIN LOCK		04
07	0511014494	REDLIGHT SUPPORT		02
08	0501068213	5/8" WRENCH DOUBLE		01
09	0501010100	SCREW 5/8 UNC X 2 CS G.5 ZN		04
10	0503010027	5/8" SPRING WASHER		04
11	0503010013	5/8" NUT		04
12	0501010098	3/4" UNC BOLT		12
13	0503010023	3/4" SPRING WASHER		12
14	0501010322	FLAT WASHER		12
15	0502012382	RIGHT MOBILE TOWER		01
16	0502012381	LEFT MOBILE TOWER		01
17	0511019519	1.5" X 1.4" PIVOT SHAFT		02
18	0503010002	1800 GREASE FITTING		02
19	0521010904	1.5" X 1.4" PIVOT SHAFT		02
20	0511019685	FLAT WASHER		04
21	0503010534	3/8 X 2-1/2 COTTERPIN		04
22	0511010153	2-5/16" FIXED WRENCH		01
23	0511064780	SHOE SLIDE LIGHT STABILIZING		02
24	0521014437	SHT FROM PROTETION		01
25	0501068606	TANK OUTER TUBE		01
26	0511019662	BATTERY FIXER SUPPORT		01
27	0501018246	3/4" X 3" BOLT		02
28	0503010014	3/4" NUT		02
29	0503050061	GEAR BUSHING WHEEL FLANGE		01
30	0503050075	GEAR 16Z		01
31	0501010161	1/2" X 1.1/4" BOLT		04



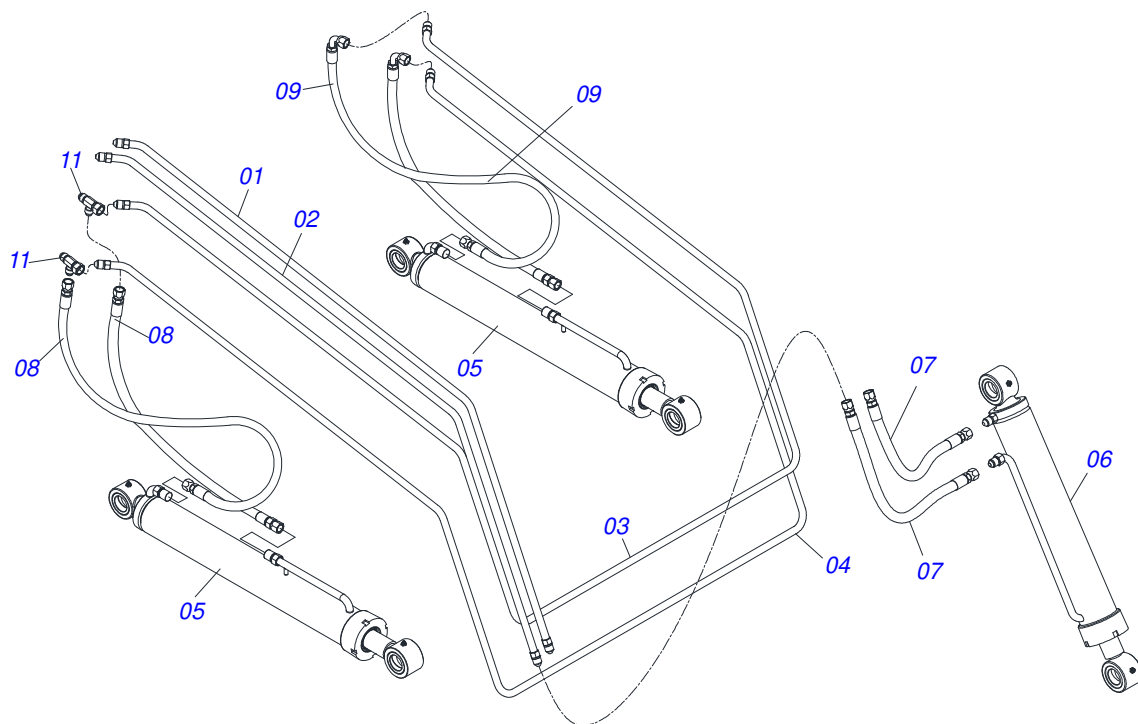
Item	Code	Description	See page	QT
32	0503010019	1/2" SPRING WASHER		04
33	0503010455	50-2 CHAIN X 15 LINK + MENDING		01
34	0501010890	FLANGE WASHER		01
35	0501057538	280 X 7/8 UNC X 1.1/8-30G SHAFT WITH RING		01
36	0503030838	1-1/8" X 2.4" SLEEVE		01



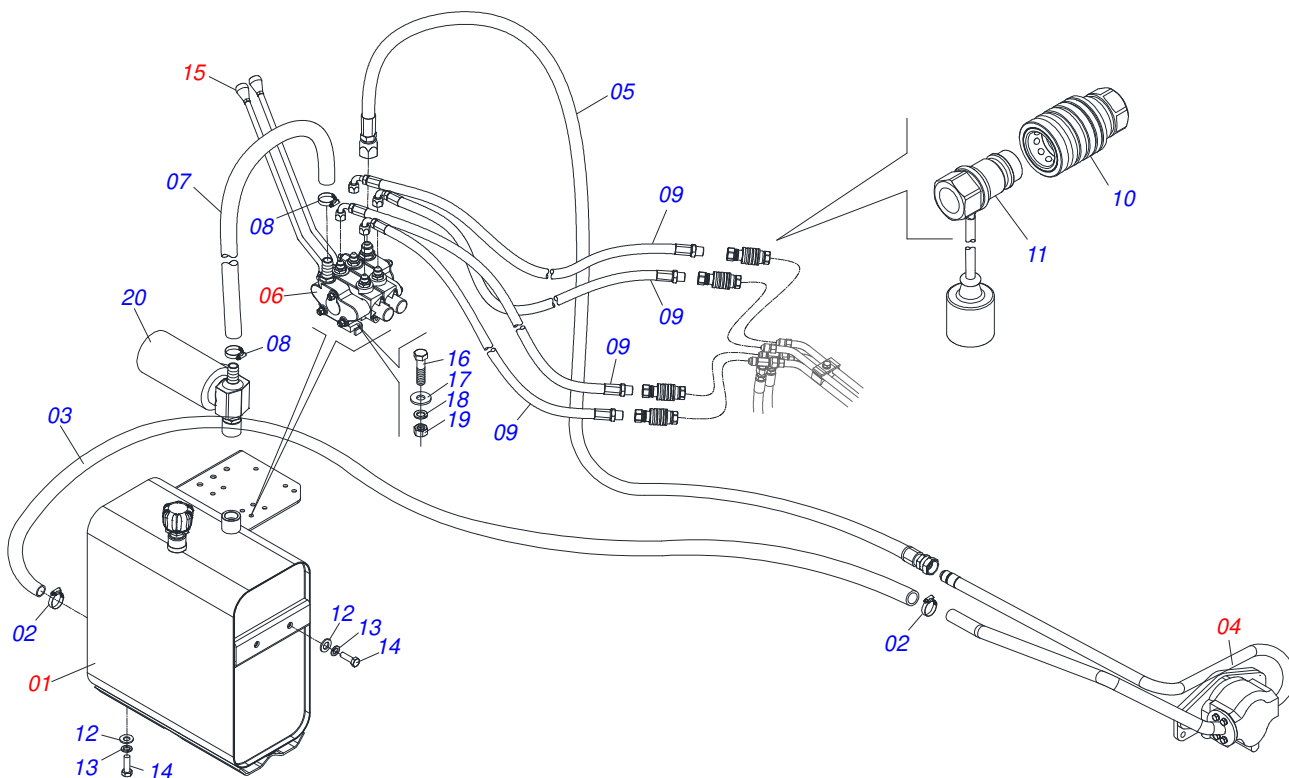
Item	Code	Description	See page	QT
01	0501068663	MOBILE SUPPORT		01
02	0521010904	1.5" X 1.4" PIVOT SHAFT		02
03	0511019685	FLAT WASHER		04
04	0503010534	3/8 X 2-1/2 COTTERPIN		10
05	0511013598	3/4" X 4.7" COUPLING SHAFT		02
06	0511019519	1.5" X 1.4" PIVOT SHAFT		02
07	0501012916	FLAT WASHER 38,50 X 66 X 4,75 ZN		02
08	0503010002	1800 GREASE FITTING		04
09	0511019521	1.5" X 1.4" PIVOT SHAFT		02
10	0501068598	JOINT SUPPORT		01
11	0501110253	BUSHING 37,70 X 55 X 70 PCA		04
12	0503010071	3/16" X 1" COTTERPIN		08
13	0521012823	COUPLING SHAFT		02
14	0503014378	1/2" X 1-1/2" BOLT		02
15	0531011180	UPPER BODY CLIP		05
16	0503010180	7/16" SPRING WASHER		05
17	0503011102	BOLT 7/16 UNC X 1.1/4 C S G.5 ZN		03
18	0511019634	CONTROL LOCK		02
19	0561016401	PLOUGH SUPPORT BODY		02
20	0561016619	COMPLEMENTON REST		02
21	0561016329	LATCH HOLDER REST PCA		04
22	0511017302	FLAT WASHER		10



Item	Code	Description	See page	QT
01	0511064165	BLADE FRONT		01
02	0531019518	SCRAPER 2220 X 6 X 1/2		01
03	0501812239	5/8 UNC X 1.3/4 - SPECIAL BOLT		07
04	0571810265	FLAT WASHER		07
05	0503011445	SPRING WASHER		07
06	0503810013	NUT 5/8 NC		07
07	0511064780	SHOE SLIDE LIGHT STABILIZING		02
08	0501018246	3/4" X 3" BOLT		02
09	0503010014	3/4" NUT		02
10	0521063680	HITCH PIN (185) SAB PCA800		02
11	0503030430	7/16 X 2" PIN LOCK		02

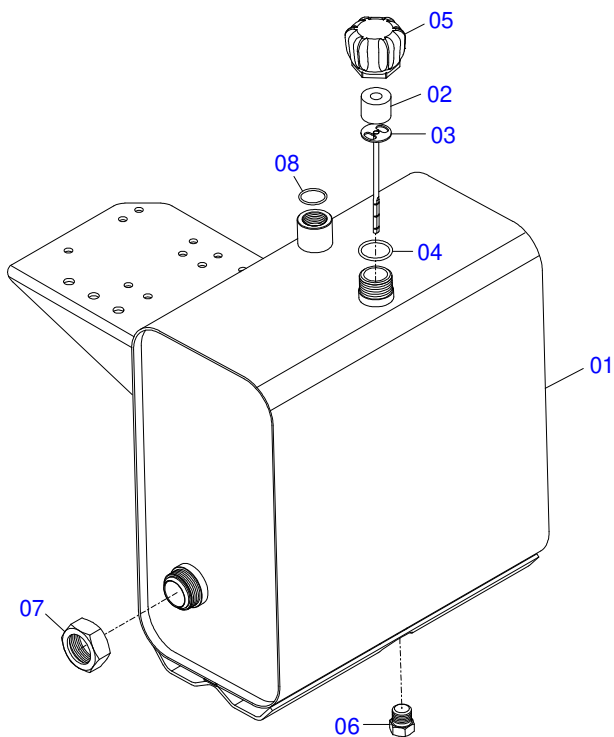


Item	Code	Description	See page	QT
01	0501068615	OIL TUBE ASSY		01
02	0521062856	INTERNAL LOWER OIL DISTRIBUTOR		01
03	0501068621	INNER OIL TUBE		01
04	0501068622	OUTER OIL TUBE		01
05	0521050762	44,45 X 76,20 X 865 X 555 HYDRAULIC CYLINDER	8	02
06	0511057887	HYDRAULIC CYLINDER	9	01
07	0501080635	3/8" X 19" TR-TR HOSE		02
08	0501080105	TR-TR HOSE ASSY		02
09	0501080413	3/8" X 27" TR-TC HOSE		02
10	0503011968	3/4" 8R6X-S T ADAPTER WITH SWIVEL NUT		02

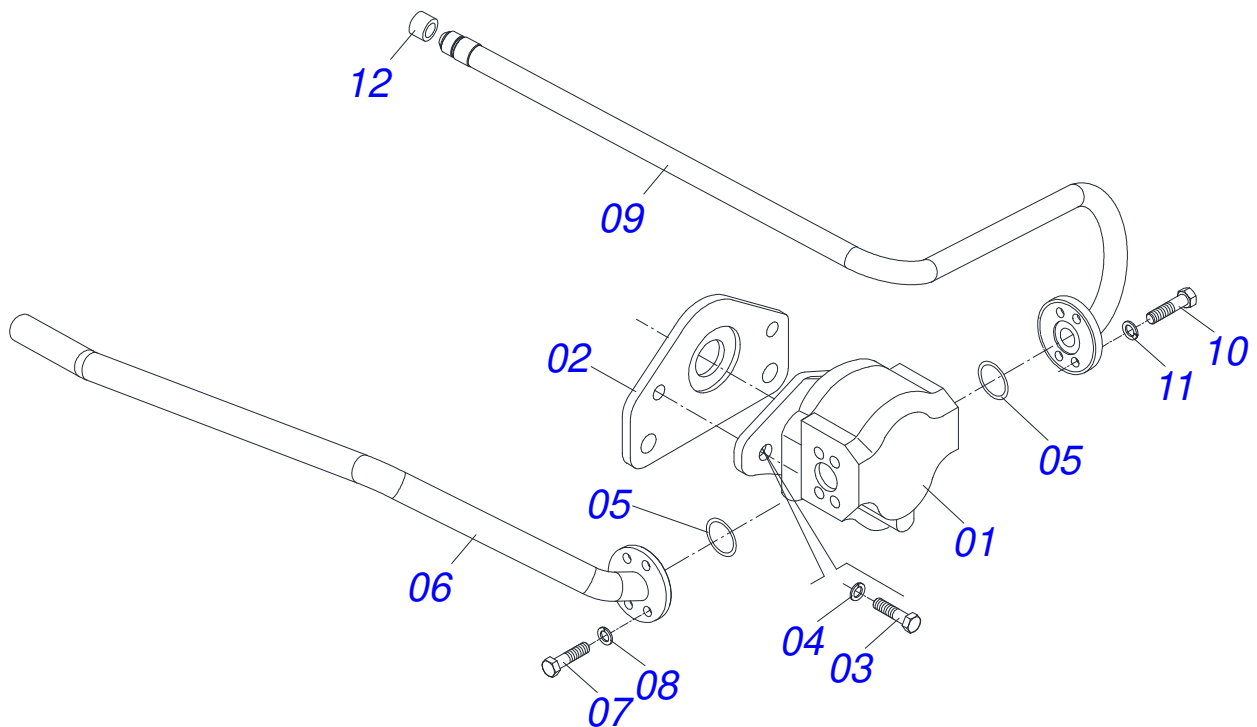


Item	Code	Description	See page	QT
01	0501047575	OIL RESERVOIR ASSY	6	01
02	0503010243	CLAMP		02
03	0501010835	HOSE		01
04	0501044573	FULL PUMP WITH PIPELINES - F5600/6630	7	01
05	0501080258	TR-TC HOSE		01
06	0501059952	DOBLE COMMAND 1/2 HIDROV/DANFOSS ASSY		01
07	0501013822	1" X 25.6" AB-AB HOSE		01
08	0503010184	CLAMP		02
09	0501080883	TC-TM 3/8" X 59.06" HOSE ASSY		04
10	0501053835	FEMALE QUICK COUPLER		02
11	0501053834	MALE QUICK COUPLER WITH CAP - 1/2 NPT	10	02
12	0511017302	FLAT WASHER		04
13	0503010019	1/2" SPRING WASHER		04
14	0503014007	1/2" X 1-1/4" BOLT		04
15	0501047446	CONTROL VALVE (P/COM 1/2 PCA)		02
16	0501010080	3/8" BOLT		03
17	0501010984	FLAT WASHER		03
18	0503010025	3/8" SPRING WASHER		03
19	0503010026	3/8" NUT		03
20	0501041108	RETURNING FILTER ASSY		01

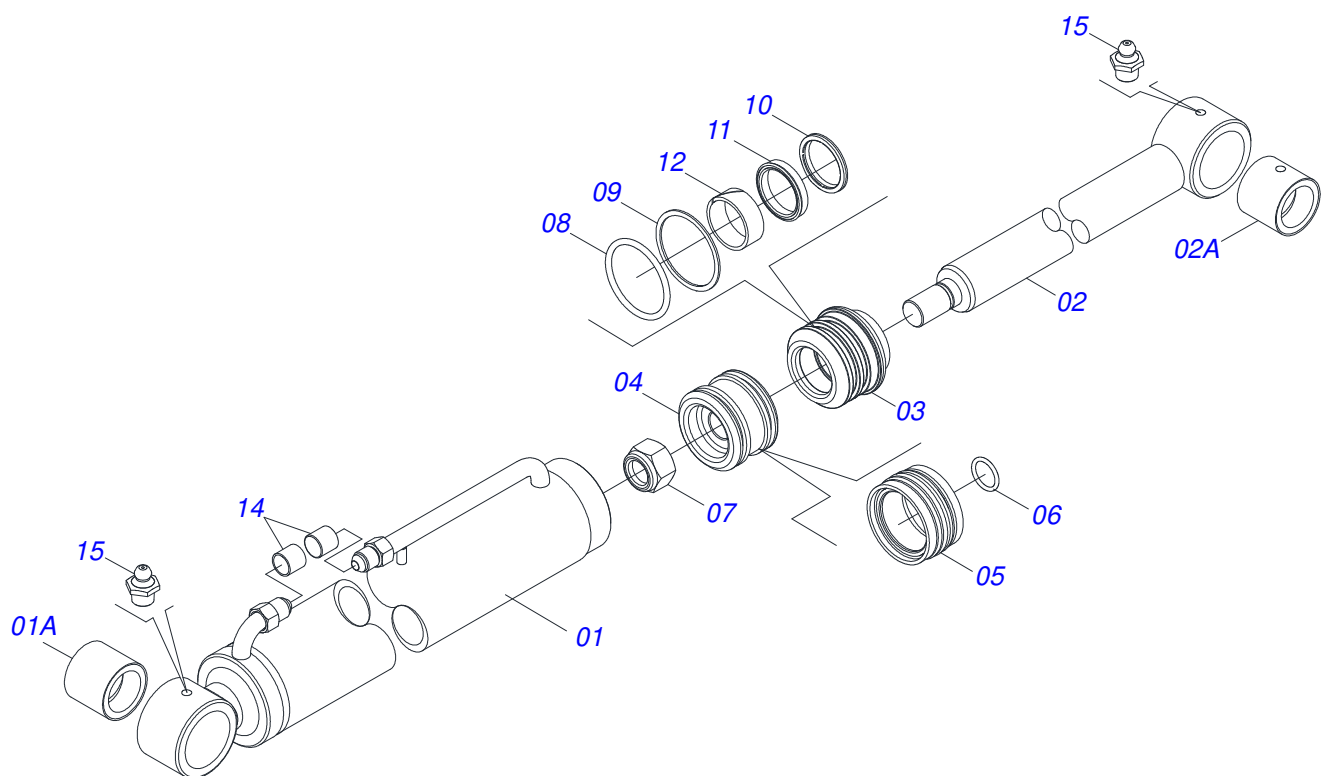
OIL RESERVOIR ASSY



Item	Code	Description	See page	QT
01	0501068685	OIL RESERVOIR		01
02	0503030044	FILTERING ELEMENT		01
03	0501060975	OIL GAGE		01
04	0503010185	2-221 N 3006-9B O'RING		01
05	0502020472	FRONTAL COVER		01
06	0503031604	1/2" BSP PLUG		01
07	0501016309	2" 1X 2.5/16" NUT		01
08	0503010046	2-216 N 3006-9B O'RING		01

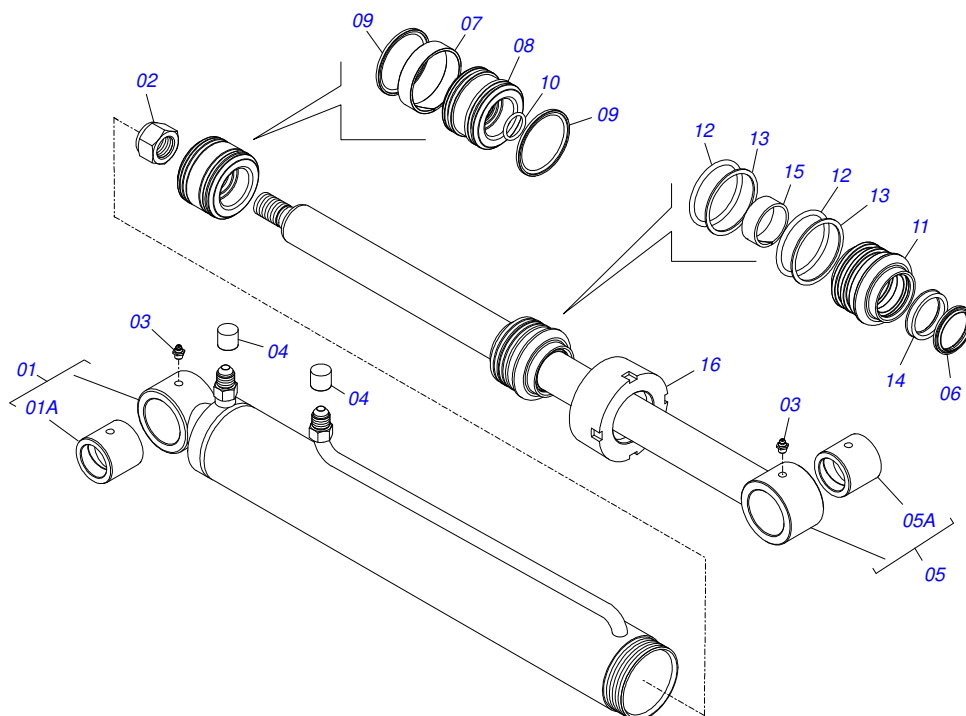


Item	Code	Description	See page	QT
001	0503061770	PUMP WITH TUBE		01
002	0502020097	PUMP SUPPORT		01
003	0501010063	1/2" X 1-1/2" BOLT		02
004	0503010019	1/2" SPRING WASHER		02
005	0503010173	2-220 N 3006-9B O'RING		02
006	0501062490	PUMP SUCTION DUCT - F 5600/6600/6610		01
007	0503010355	7/16" X 1" BOLT		04
008	0503010180	7/16" SPRING WASHER		04
009	0501062491	PUMP PRESSURE DUCT SHT		01
010	0503011087	3/8" X 1" BOLT		04
011	0503010025	3/8" SPRING WASHER		04
012	0503030388	PLUG N-005		01

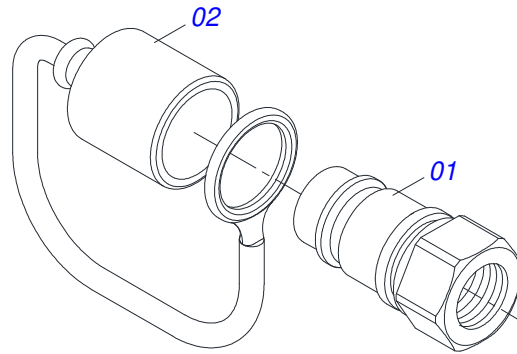


Item	Code	Description	See page	QT
01	0511071163	76,20 X 740 CYLINDER CASE - PCA 600		01
01A	0521010514	38,1 X 52,9 X 50 SLEEVE INTER		01
02	0521066424	AIR TURNBUCKLE		01
02A	0521010514	38,1 X 52,9 X 50 SLEEVE INTER		01
03	0581010301	RING SUPPORT		01
04	0581010304	PISTON		01
05	0503018136	ZW 007600260 AGEL RING		01
06	0503010042	2-214 N 3006-9B O'RING		01
07	0503010063	1" SELF-ALIGNING NUT		01
08	0503010343	2-334 N 3006-9B O'RING		02
09	0503011059	8-334 BACK-UP RING		02
10	0503010761	D-1750 SCRAPER RING		01
11	0503017937	GASKET		01
12	0503017938	RING GUIDE		01
13	0502011899	MOBILE COVER		01
14	0503030385	CYLINDER PLUG N-002		02
15	0503010002	1800 GREASE FITTING		02

HYDRAULIC CYLINDER



Item	Code	Description	See page	QT
01	0511063212	3" X 23" CYLINDER CASE		01
01A	0521010514	38,1 X 52,9 X 50 SLEEVE INTER		01
02	0503010063	1" SELF-ALIGNING NUT		01
03	0503010002	1800 GREASE FITTING		02
04	0503030385	CYLINDER PLUG N-002		02
05	0521066425	TURNBUCKLE - 44,45 X 605 PCA 600		01
05A	0501110275	BUSHING COUPLING 75 X 38,1 X 50		01
06	0503010761	D-1750 SCRAPER RING		01
07	0503018140	RING GUIDE		01
08	0581010304	PISTON		01
09	0503018138	RING BS		02
10	0503010042	2-214 N 3006-9B O'RING		01
11	0581010301	RING SUPPORT		01
12	0503010343	2-334 N 3006-9B O'RING		02
13	0503011059	8-334 BACK-UP RING		02
14	0503017937	GASKET		01
15	0503017938	RING GUIDE		01
16	0502011899	MOBILE COVER		01



Item	Code	Description	See page	QT
01	0503011627	MALE QUICK COUPLER AGR 1/2 NPT		01
02	0503011882	MALE QUICK COUPLER CAP		01



www.marchesan.com.br



Technical Publications | Elaboration and Revision
JOSÉ DOMINGOS GASPARI