

PARTS CATALOG

PCA - AGRICULTURAL FRONT LOADER

PCA 600 VALMET/VALTRA BL-77-4 / 88-4

Code: 0501090552



Series: S-0204

Rev.: 00

Date Rev.: JANEIRO/2004

**ORIGINAL PARTS
TATU**



PRODUCTS

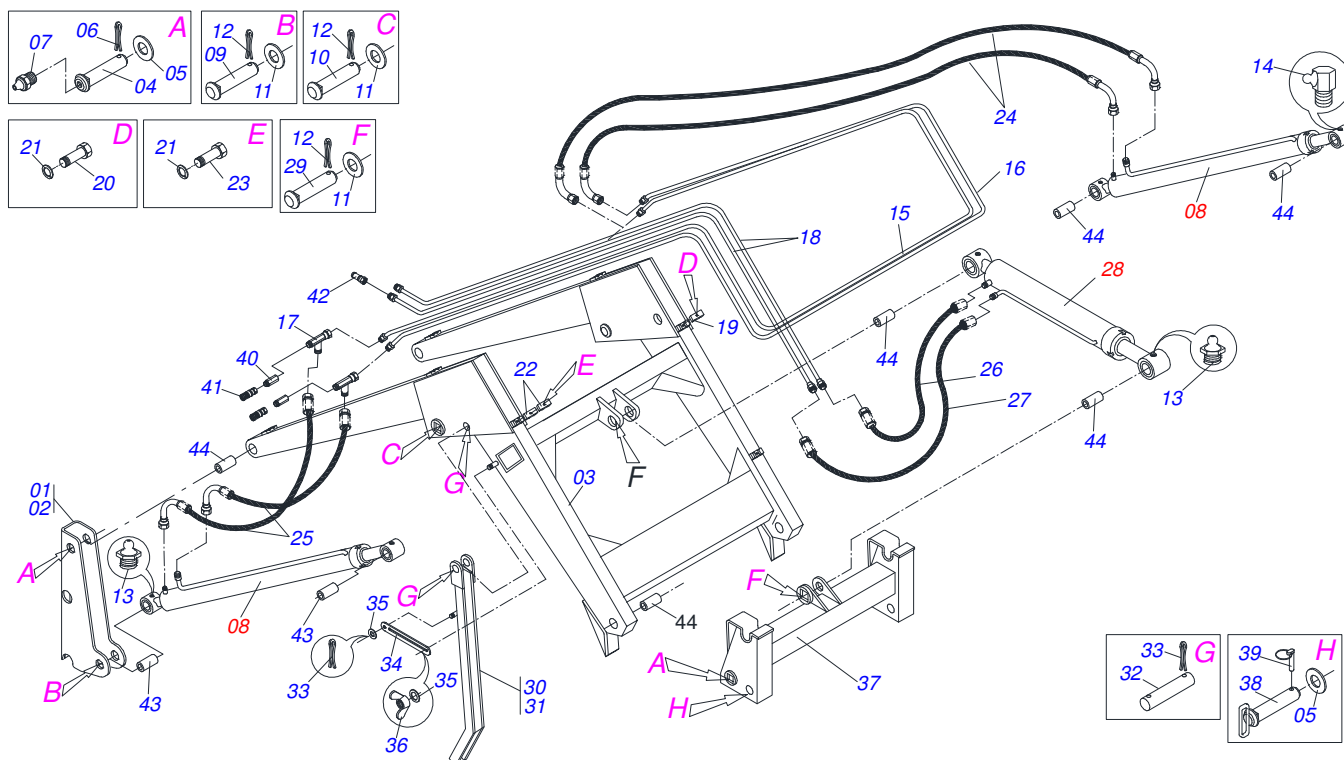
Code	Description
0106110641	PCA 600 VTR BL 77-4 BT SC S-0204
0106110642	PCA 600 VTR BL 77-4 BT SC SL S-0204
0106110643	PCA 600 VTR BL 77-4 SHT CD S-0204
0106110644	PCA 600 VTR BL 77-4 SHT CD SL S0204
0106110645	PCA 600 VTR BL77-4 SHTCT GSA S-204

ATTENTION: **IMPORTANT**

MARCHESAN S/A RESERVES THE RIGHT AT ANY TIME TO MAKE IMPROVEMENTS IN THE DESIGN, MATERIAL OR SPECIFICATIONS OF MACHINERY, EQUIPMENT OR PARTS WITHOUT THEREBY BECOMING LIABLE TO MAKE SIMILAR CHANGES IN MACHINERY, EQUIPMENT OR PARTS PREVIOUSLY SOLD.

INDEX

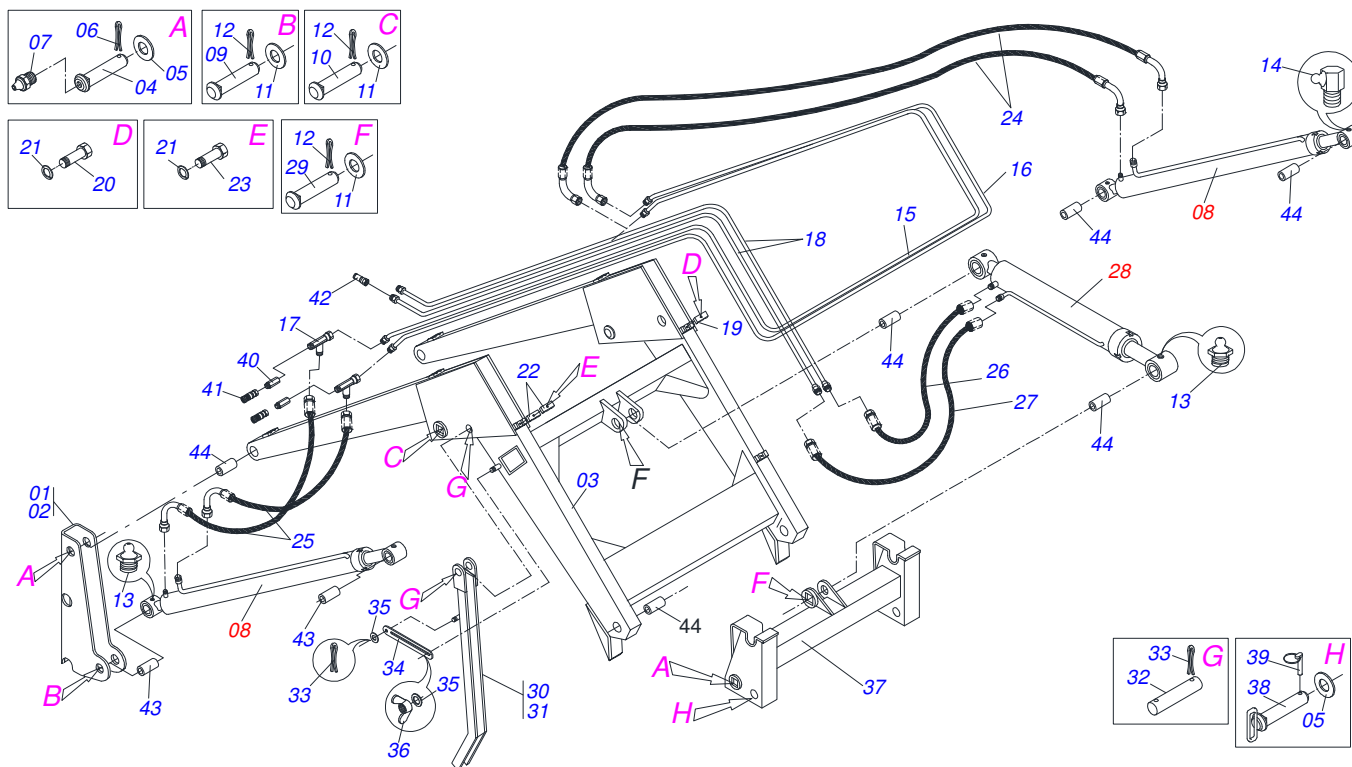
0909092260	600 MOBILE SUPPORT SHT S-0104	1
0909092258	600 MOBILE SUPPORT BT S-0104	2
0909092261	HIDRAULIC CIRCUIT SHT BL 77-4/88-4	3
0511042398	DRIVE SHAFT	4
0511040627	1.7" X 3" X 26" X 16" HYDRAULIC CYLINDER	5
0511040310	1.7" X 3" X 32" X 22" HYDRAULIC CYLINDER	6
0909092259	PCA 600 VTR BL 77-4/88-4 BT S-0104	7
0909090285	GSA 600	8
0501047447	HYDRAULIC CYLINDER	9
0909091331	LDA 2400 ASSY PCA 600	10
0909091332	PAC 600 COMPL 1700 PERF ALTO S-498	11
0909091333	EAG 600 COMPL 9 DENTES S-0597	12
0501048740	SAE COMPLETE FOR PCA 600/800/1100	13
0501048741	SAB COMPLETE FOR PCA 600/800/1100	14



Item	Code	Description	See page	QT
01	0501068600	MOBILE TOWER, RIGHT		01
02	0501068601	MOBILE TOWER, LEFT		01
03	0501068663	MOBILE SUPPORT		01
04	0511019519	1.5" X 1.4" PIVOT SHAFT		04
05	0511019685	FLAT WASHER		04
06	0503010534	3/8 X 2-1/2 COTTERPIN		04
07	0503010002	1800 GREASE FITTING		04
08	0511040310	1.7" X 3" X 32" X 22" HYDRAULIC CYLINDER	6	02
09	0511019520	1.5" X 1.4" PIVOT SHAFT		02
10	0521010904	1.5" X 1.4" PIVOT SHAFT		02
11	0511019685	FLAT WASHER		08
12	0503010534	3/8 X 2-1/2 COTTERPIN		08
13	0503010002	1800 GREASE FITTING		04
14	0503010003	1845 GREASE FITTING		02
15	0501068621	INNER OIL TUBE		01
16	0501068622	OUTER OIL TUBE		01
17	0503011968	T ADAPTOR WITH GIRAT		02
18	0511061632	UPPER OIL TUBE		02
19	0531011180	UPPER BODY CLIP		03
20	0503010237	3/8" X 1" BOLT		03
21	0503010025	3/8 SPRING WASHER		06
22	0502010477	UPPER CLIP		06
23	0501010096	3/8" X 2" BOLT		03
24	0501080688	3/8" X 25" TC-TC 90G HOSE		02
25	0501080599	3/8 X 650 TC-TR HOSE		02
26	0501080635	3/8" X 19" TR-TR HOSE		01
27	0501080709	3/8" X 21.6" TR-TR HOSE		01
28	0511040627	1.7" X 3" X 26" X 16" HYDRAULIC CYLINDER	5	01
29	0511019521	1.5" X 1.4" PIVOT SHAFT		02
30	0501068595	RIGHT PLOUGH SUPPORT		01
31	0501068599	LEFT PLOUGH SUPPORT		01



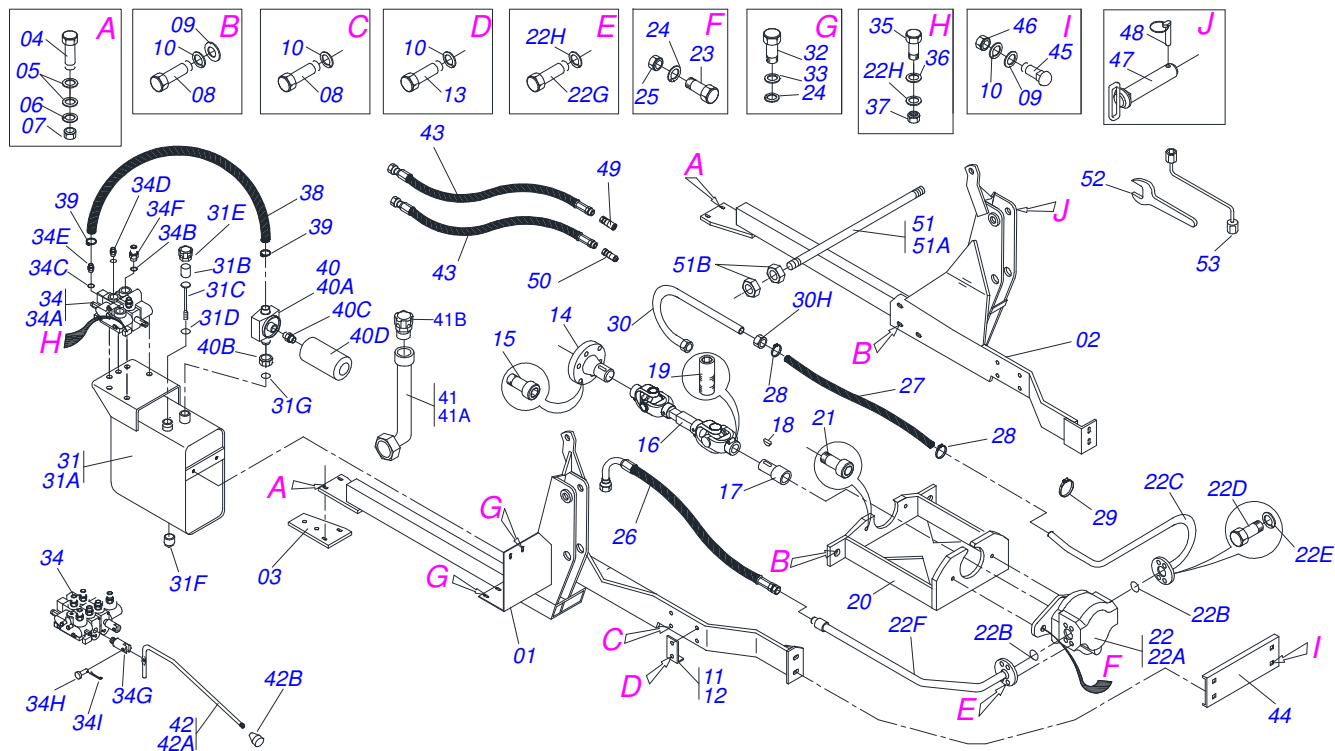
Item	Code	Description	See page	QT
32	0511013598	3/4" X 4.7" COUPLING SHAFT		02
33	0503010131	3/16" X 1-1/2" COTTERPIN		06
34	0511019634	CONTROL LOCK		02
35	0511017302	FLAT WASHER		06
36	0503010918	BUTTERFLY NUT 1/2 NC		02
37	0501068598	JOINT SUPPORT		01
38	0501069447	1.5" X 1.4" PIVOT SHAFT		02
39	0503030430	7/16 X 2" PIN LOCK		02
40	0511019876	1/2" NIPPLE		02
41	0501053835	FEMALE QUICK COUPLER		02
42	0501053834	MALE QUICK COUPLING AGRICULTURAL WITH COVER - 1/2 NPT		02
43	0521010514	38,1 X 52,9 X 50 SLEEVE INTER		06
44	0511019740	INTERNAL GLOVE 37.70 X 45.15 X 70		04



Item	Code	Description	See page	QT
01	0501068600	MOBILE TOWER, RIGHT		01
02	0501068601	MOBILE TOWER, LEFT		01
03	0501068663	MOBILE SUPPORT		01
04	0511019519	1.5" X 1.4" PIVOT SHAFT		04
05	0511019685	FLAT WASHER		04
06	0503010534	3/8 X 2-1/2 COTTERPIN		04
07	0503010002	1800 GREASE FITTING		04
08	0511040310	1.7" X 3" X 32" X 22" HYDRAULIC CYLINDER	6	02
09	0521010904	1.5" X 1.4" PIVOT SHAFT		02
10	0511019520	1.5" X 1.4" PIVOT SHAFT		02
11	0511019685	FLAT WASHER		08
12	0503010534	3/8 X 2-1/2 COTTERPIN		08
13	0503010002	1800 GREASE FITTING		04
14	0503010003	1845 GREASE FITTING		02
15	0501068621	INNER OIL TUBE		01
16	0501068622	OUTER OIL TUBE		01
17	0503011968	T ADAPTOR WITH GIRAT		02
18	0501068615	OIL TUBE ASSY		02
19	0531011180	UPPER BODY CLIP		03
20	0503010237	3/8" X 1" BOLT		03
21	0503010025	3/8 SPRING WASHER		06
22	0502010477	UPPER CLIP		06
23	0501010096	3/8" X 2" BOLT		03
24	0501080688	3/8" X 25" TC-TC 90G HOSE		02
25	0501080599	3/8 X 650 TC-TR HOSE		02
26	0501080635	3/8" X 19" TR-TR HOSE		01
27	0501080709	3/8" X 21.6" TR-TR HOSE		01
28	0511040627	1.7" X 3" X 26" X 16" HYDRAULIC CYLINDER	5	01
29	0511019521	1.5" X 1.4" PIVOT SHAFT		02
30	0501068595	RIGHT PLOUGH SUPPORT		01
31	0501068599	LEFT PLOUGH SUPPORT		01



Item	Code	Description	See page	QT
32	0511013598	3/4" X 4.7" COUPLING SHAFT		02
33	0503010131	3/16" X 1-1/2" COTTERPIN		06
34	0511019634	CONTROL LOCK		02
35	0511017302	FLAT WASHER		06
36	0503010918	BUTTERFLY NUT 1/2 NC		02
37	0501068598	JOINT SUPPORT		01
38	0501069447	1.5" X 1.4" PIVOT SHAFT		02
39	0503030430	7/16 X 2" PIN LOCK		02
40	0511019876	1/2" NIPPLE		02
41	0501053835	FEMALE QUICK COUPLER		02
42	0501053834	MALE QUICK COUPLING AGRICULTURAL WITH COVER - 1/2 NPT		02
43	0521010514	38,1 X 52,9 X 50 SLEEVE INTER		06
44	0511019740	INTERNAL GLOVE 37.70 X 45.15 X 70		04

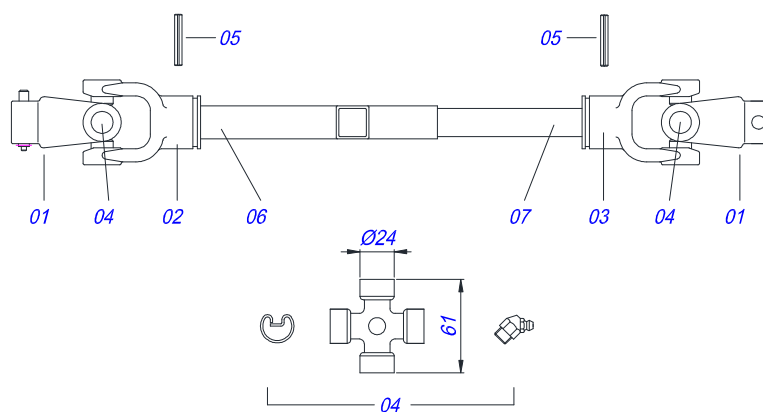


Item	Code	Description	See page	QT
01	0511065334	RIGHT FRAME		01
02	0511065335	LEFT FRAME		01
03	0521013656	BRACKET FIXER LEFT/RIGHT		02
04	0501010500	3/4"X3"BOLT		04
05	0501010322	FLAT WASHER		04
06	0503010023	SPRING WASHER		04
07	0503010335	3/4"NUT		04
08	0503011188	M16 X 2 X 50 BOLT		12
09	0501012140	FLAT WASHER		12
10	0503010027	SPRING WASHER		16
11	0541011009	RIGHT BEATER		01
12	0541011010	LEFT BEATER		01
13	0503011730	M16 X 2 X 60 BOLT		04
14	0521016647	FLANGE COUPLING		01
15	0503011313	M 8 X 1,25 X 50 BOLT		06
16	0511042398	DRIVE SHAFT	4	01
17	0511062516	3.1" X 1-1/8" AXLE		01
18	0503031031	1/4" KEYWAY SQUARE		01
19	0503011148	3/8" X 1/2" BOLT		02
20	0511061456	PUMP SUPPORT		01
21	0503010728	M10 X 1.2" BOLT		02
22	0501052059	40L PUMP WITH TUBE		01
22A	0503060153	40L 1/2" PUMP		01
22B	0503010173	2-220 N 3006-9B O'RING		02
22C	0511062361	PUMP SUCTION TUBE		01
22D	0503010355	7/16" X 1" BOLT		04
22E	0503010180	7/16" SPRING WASHER		04
22F	0501067702	PUMP PRESSURE TUBE		01
22G	0503010237	3/8" X 1" BOLT		04
22H	0503010025	3/8 SPRING WASHER		09
23	0503011082	C1/2" X 1.3/4" BOLT		02

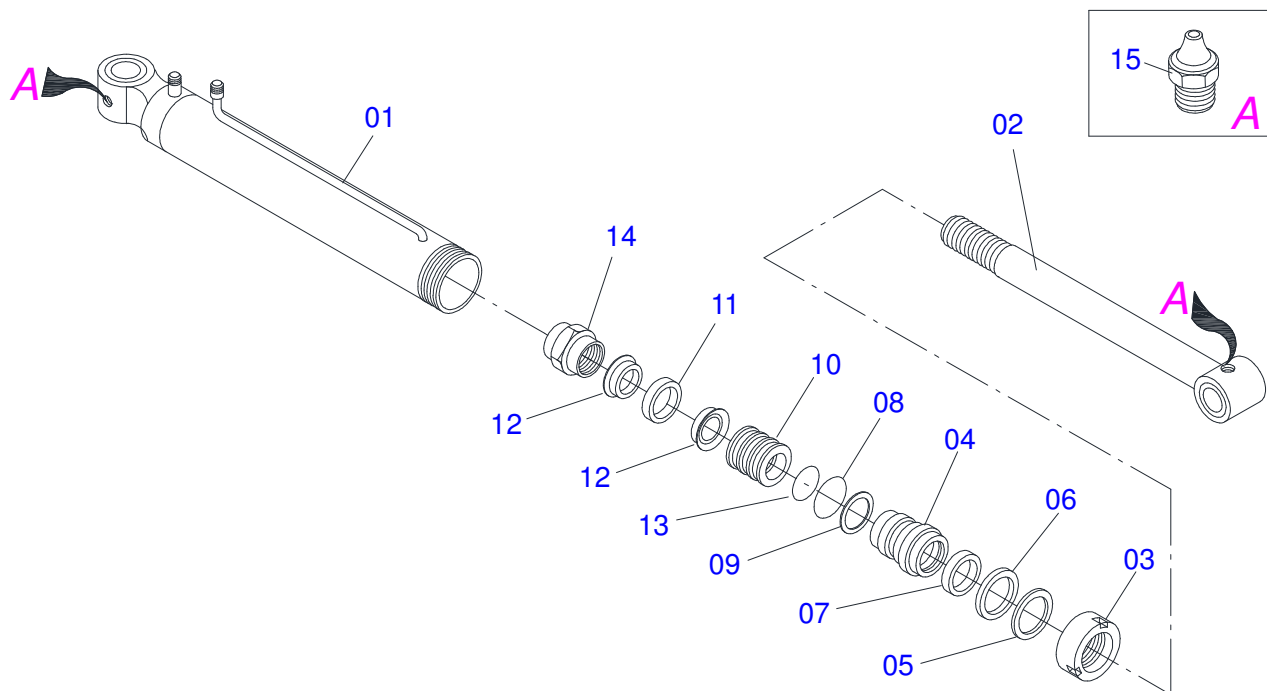


Item	Code	Description	See page	QT
24	0503010019	1/2" SPRING WASHER		06
25	0503010060	1/2" NUT		02
26	0501080705	3/4" X 118" TR-TC HOSE		01
27	0501013822	1" X 25.6" AB-AB HOSE		01
28	0503010243	CLAMP		02
29	0503010246	CLAMP		03
30	0501063383	TANK OUTER TUBE		01
31	0511042276	COMPLETE OIL RESERVOIR		01
31A	0511065085	RESERVOIR OIL		01
31B	0503030044	FILTERING ELEMENT		01
31C	0501060975	OIL GAGE		01
31D	0503010185	2-221 N 3006-9B O'RING		01
31E	0502020472	FRONTAL COVER		01
31F	0503031604	1/2" BSP PLUG		01
31G	0503010046	2-216 N 3006-9B O'RING		01
31H	0501016309	2" 1X 2.5/16" NUT		01
32	0501010161	1/2" X 1.1/4" BOLT		04
33	0511017302	FLAT WASHER		04
34	0501048916	1/2" DOUBLE COMMAND ASSY		01
34A	0503060081	1/2" DOUBLE COMMAND		01
34B	0503010045	2-116 N 3006-9B O'RING		04
34C	0503010602	2-211 N 3006-9B O'RING		02
34D	0511010111	7/8" NIPPLE		04
34E	0501010591	HOSE NIPPLE		01
34F	0501010589	R. 1.1/16UN SEXT 1.1/4 X 52 NIPPLE		01
34G	0503030347	UPPER LEVER ASSY (SAUER DANFOSS)		02
34H	0521010533	0.3" X 1" COUPLING SHAFT		02
34I	0503010140	1/8" X 3/4" COTTERPIN		02
35	0503010849	3/8" X 1-1/2" BOLT		03
36	0501010984	FLAT WASHER		03
37	0503010026	3/8" NUT		03
38	0501011012	1-1/4" X 65" AB-AB HOSE		01
39	0503010184	CLAMP		02
40	0501041108	RETURNING FILTER ASSY		01
40A	0502050002	RETURNING FILTER HEAD		01
40B	0501010594	1" NUT		01
40C	0501010595	1" NF NIPPLE		01
40D	0503010183	RETURNING FILTER		01
41	0501043022	TANK COVER EXTENSION		01
41A	0501063065	TANK COVER TUBE		01
41B	0502020473	COVER TUBE		01
42	0501041196	CONTROL LEVER ASSY		02
42A	0501069069	CONTROL VALVE (V 985-4/AX 4.75)		02
42B	0503030878	LEVER CRANK		02
43	0501080550	3/8" X 55.12" TC-TM HOSE		04
44	0541011011	FRONT PROTECTOR PUMP		01
45	0503012407	5/8" X 1-1/2" BOLT		04
46	0503010013	5/8" NUT		04
47	0511064616	1.5" X 6.9" COUPLING SHAFT		02
48	0503030430	7/16 X 2" PIN LOCK		02
49	0501053834	MALE QUICK COUPLING AGRICULTURAL WITH COVER - 1/2 NPT		02
50	0501053835	FEMALE QUICK COUPLER		02
51	0501040954	1.1/4" NC X 760 ROD		01
51A	0501010628	1.1/4" X 760 ROD		01
51B	0501010087	1.1/4" NUT		02
52	0501068213	5/8" WRENCH DOUBLE		01
53	0511010153	2-5/16" FIXED WRENCH		01

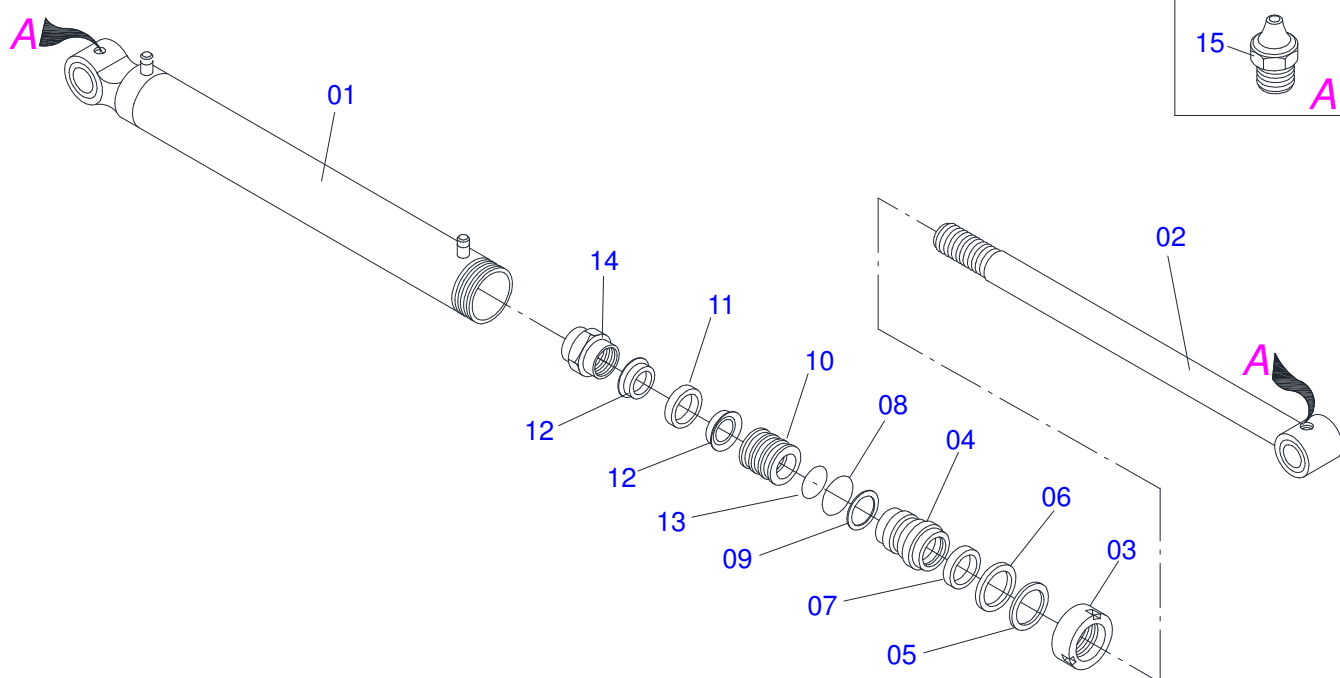
DRIVE SHAFT



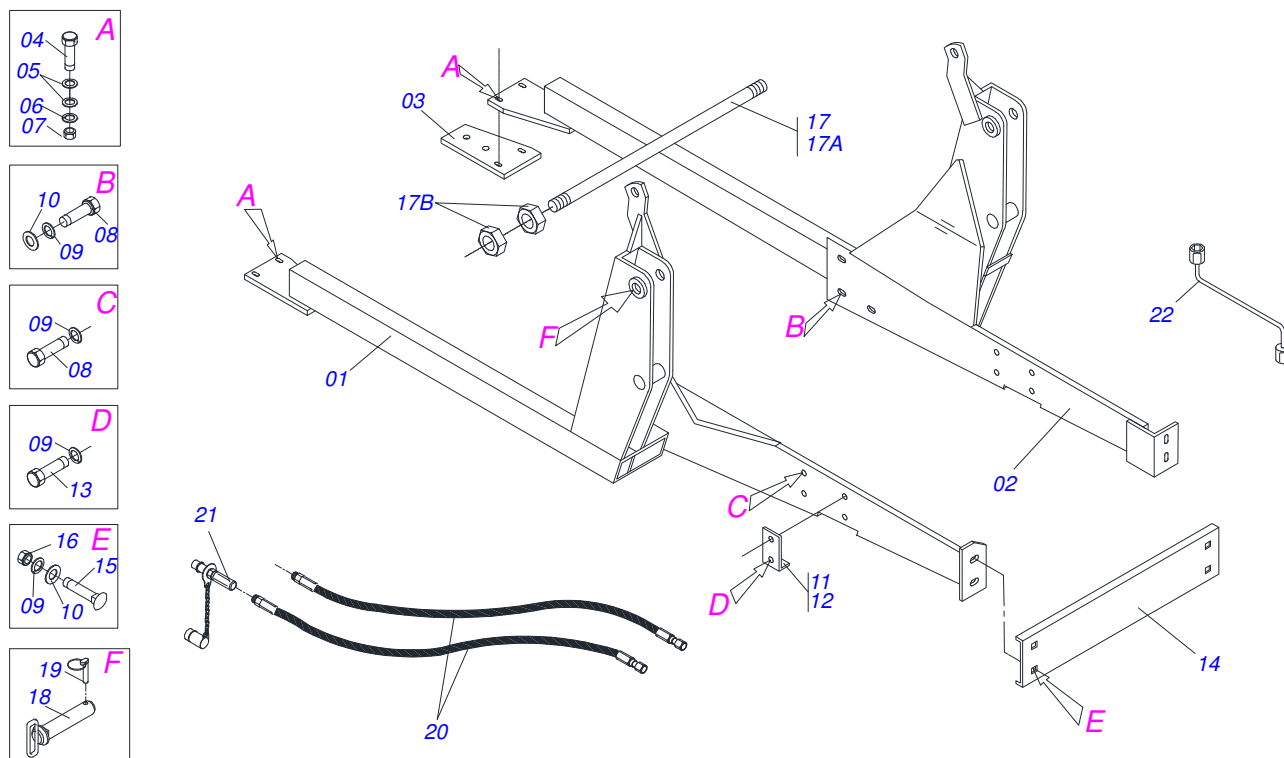
Item	Code	Description	See page
01	0502010886	10-20 TERMINAL	02
02	0502010559	2-20 TERMINAL	01
03	0502010562	3-20 TERMINAL	01
04	0503010835	CARDAN CROSSPIECE	02
05	0503010839	03"X 0.6" SPRING PIN	02
06	0521016649	0.9" X 1.1" X 4.7" SLEEVE	01
07	0521016648	0.8" X 6.3" SQUARE SHAFT	01



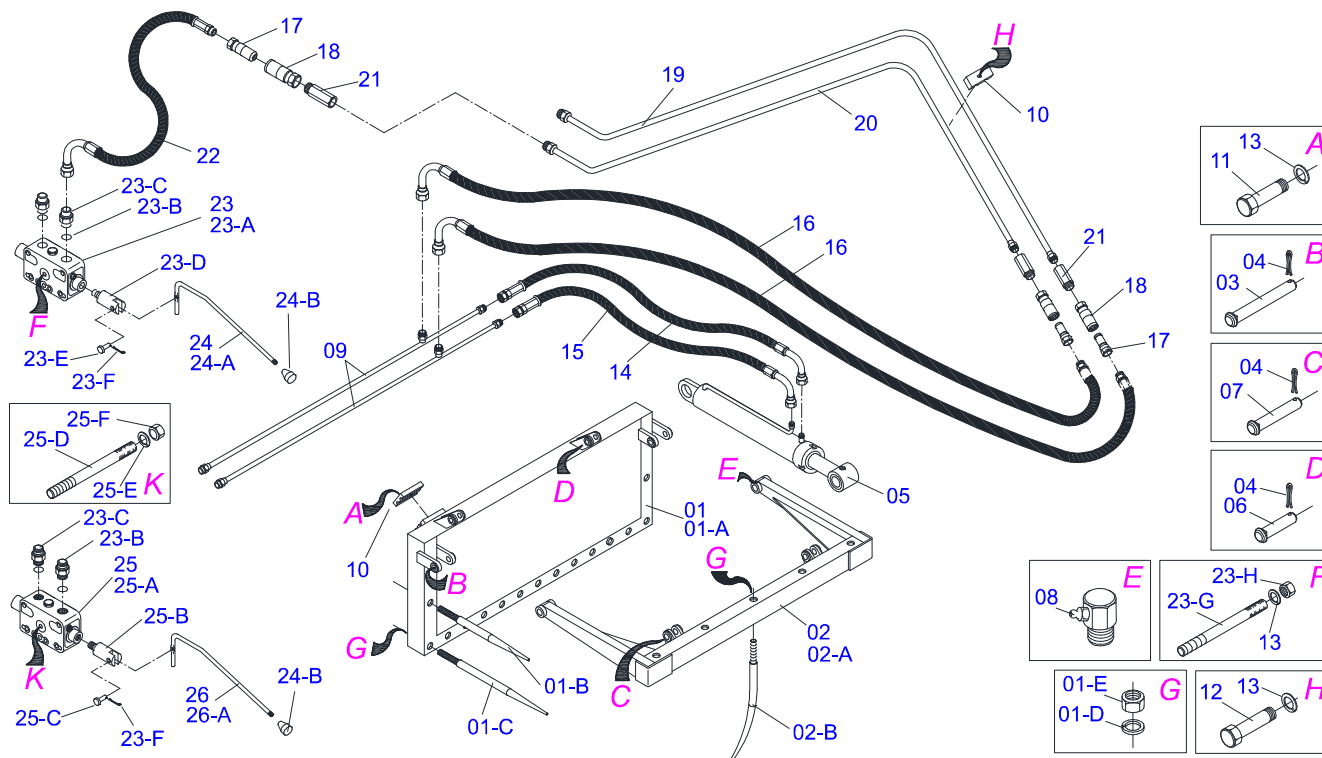
Item	Code	Description	See page	QT
01	0511063212	3" X 23" CYLINDER CASE		01
02	0501068711	1.7" X 22" TURNBUCLE		01
03	0502011899	MOBILE COVER		01
04	0502011897	RING SUPPORT		01
05	0503010761	D-1750 SCRAPER RING		01
06	0503010990	GASKET		01
07	0503010949	W2-2000-500 PK RING G.E		01
08	0503010343	2-334 N 3006-9B O'RING		01
09	0503011059	8-334 BACK-UP RING		01
10	0502011898	1.8" X 3.0" PISTON		01
11	0503010992	W2-3000-500 PK RING G.E		01
12	0503012768	3750-2250 GASKET		02
13	0503010042	2-214 N 3006-9B O'RING		01
14	0503010063	1" SELF-ALIGNING NUT		01
15	0503010002	1800 GREASE FITTING		02
16	0503030387	PLUG		02



Item	Code	Description	See page	QT
01	0511061482	3" X 26" CYLINDER CASE		01
02	0511062096	1.7" X 0.3" TURNBUCLE		01
03	0502011899	MOBILE COVER		01
04	0502011897	RING SUPPORT		01
05	0503010761	D-1750 SCRAPER RING		01
06	0503010990	GASKET		01
07	0503010949	W2-2000-500 PK RING G.E		01
08	0503010343	2-334 N 3006-9B O'RING		01
09	0503011059	8-334 BACK-UP RING		01
10	0502011898	1.8" X 3.0" PISTON		01
11	0503010992	W2-3000-500 PK RING G.E		01
12	0503012768	3750-2250 GASKET		02
13	0503010345	2-218 N 3006-9B O'RING		01
14	0503010063	1" SELF-ALIGNING NUT		01
15	0503010002	1800 GREASE FITTING		02
16	0501033655	HYDRAULIC CYLINDER REPAIR KIT		



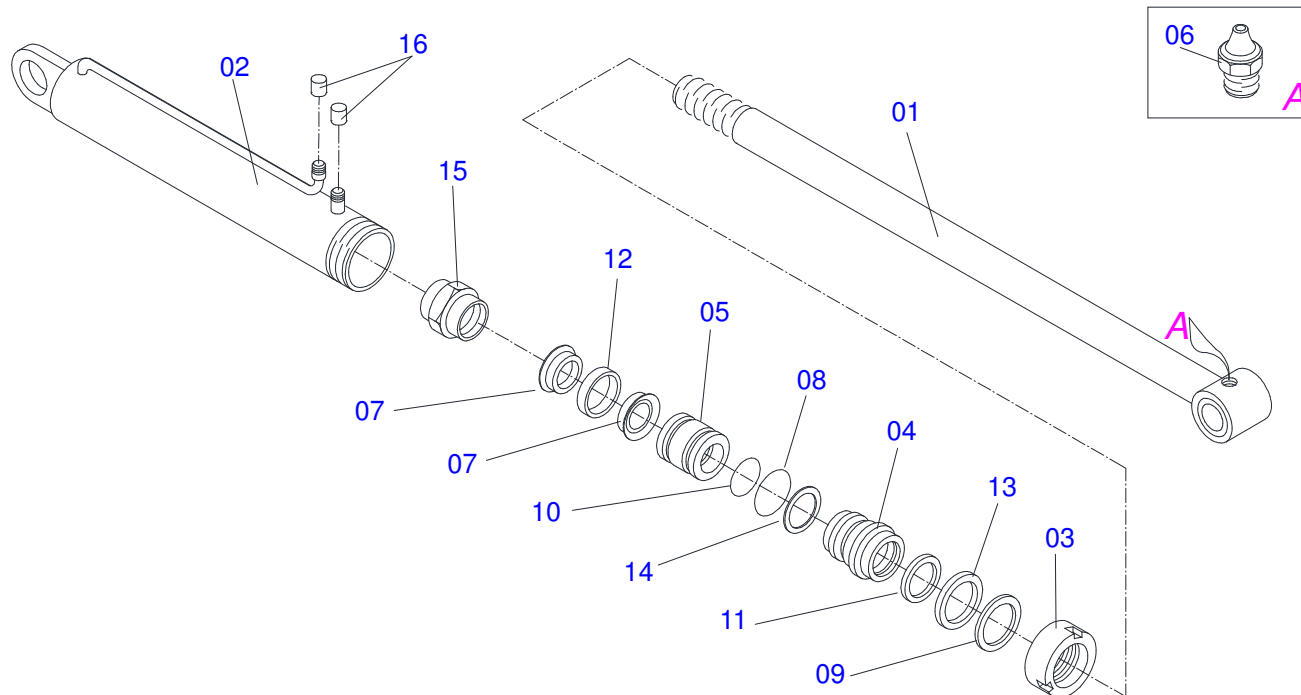
Item	Code	Description	See page	QT
01	0511065333	RIGHT FRAME		01
02	0511065335	LEFT FRAME		01
03	0521013656	BRACKET FIXER LEFT/RIGHT		02
04	0501010500	3/4"X3"BOLT		04
05	0501010322	FLAT WASHER		04
06	0503010023	SPRING WASHER		04
07	0503010014	3/4" NUT		04
08	0503011188	M16 X 2 X 50 BOLT		10
09	0503010027	SPRING WASHER		20
10	0501012140	FLAT WASHER		10
11	0541011009	RIGHT BEATER		01
12	0541011010	LEFT BEATER		01
13	0503011730	M16 X 2 X 60 BOLT		04
14	0541011011	FRONT PROTECTOR PUMP		01
15	0503012407	5/8" X 1-1/2" BOLT		04
16	0503010013	5/8" NUT		04
17	0501040954	1.1/4" NC X 760 ROD		01
17A	0501010628	1.1/4" X 760 ROD		01
17B	0501010087	1.1/4" NUT		02
18	0511064616	1.5" X 6.9" COUPLING SHAFT		02
19	0503030430	7/16 X 2" PIN LOCK		02
20	0501080528	3/8 X 3700 TR-TM HOSE		04
21	0501053834	MALE QUICK COUPLING AGRICULTURAL WITH COVER - 1/2 NPT		04
22	0501068213	5/8" WRENCH DOUBLE		01



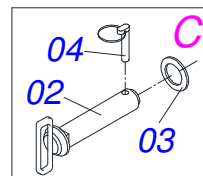
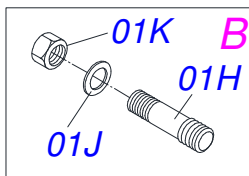
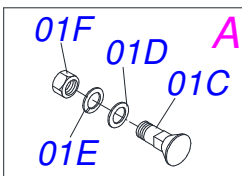
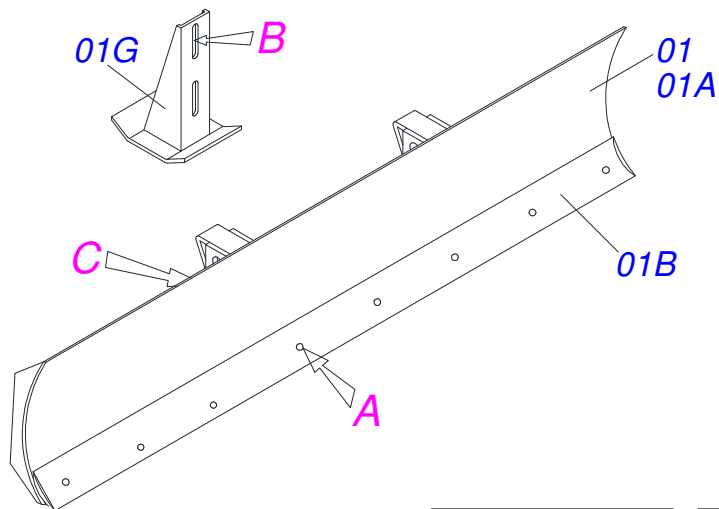
Item	Code	Description	See page
00	0501047458	1/2" CONTROL VALVE ASSY FOR GSA 600	01
00A	0511040471	3/8" CONTROL VALVE ASSY FOR GSA 600	01
01	0501051502	FIXED FRAME WITH TEETH	01
01A	0501068609	FIXED FRAME	01
01B	0511019542	1-1/2" X 26" STRAIGHT TEETH	02
01C	0511019543	1-1/2" X 30" STRAIGHT TEETH	13
01D	0503010012	1" SPRING WASHER	20
01E	0503010340	1" NUT	20
02	0501051503	MOBILE FRAME WITH TEETH	01
02A	0501068610	MOBILE FRAME	01
02B	0511019544	1-1/2" X 26" BENT TOOTH	05
03	0511019623	0.9" X 5.4" COUPLING SHAFT	02
04	0503010571	1/4" X 1.1/2 COTTERPIN	06
05	0501047447	HYDRAULIC CYLINDER	9
06	0511019621	0.9" X 2.8" COUPLING SHAFT	02
07	0511019622	0.9" X 4.0" COUPLING SHAFT	02
08	0503010004	1890 GREASE FITTING	02
09	0501068686	OIL TUBE	02
10	0502010477	UPPER CLIP	05
11	0503010751	C3/8" X 1.1/4" HEX BOLT G.5	02
12	0501010096	3/8" X 2" BOLT	03
13	0503010025	3/8 SPRING WASHER	13
14	0501080599	3/8 X 650 TC-TR HOSE	02
15	0501080328	3/8" X 29" TR-TC HOSE	02
16	0501080597	3/8" X 43" TC-TM HOSE	02
17	0501053834	MALE QUICK COUPLING AGRICULTURAL WITH COVER - 1/2 NPT	04
18	0501053835	FEMALE QUICK COUPLER	04
19	0511061634	LEFT OIL TUBE	01
20	0511061635	RIGHT OIL TUBE	01
21	0511019876	1/2" NIPPLE	04
22	0501080473	3/8" X 120" TC-TM HOSE	02



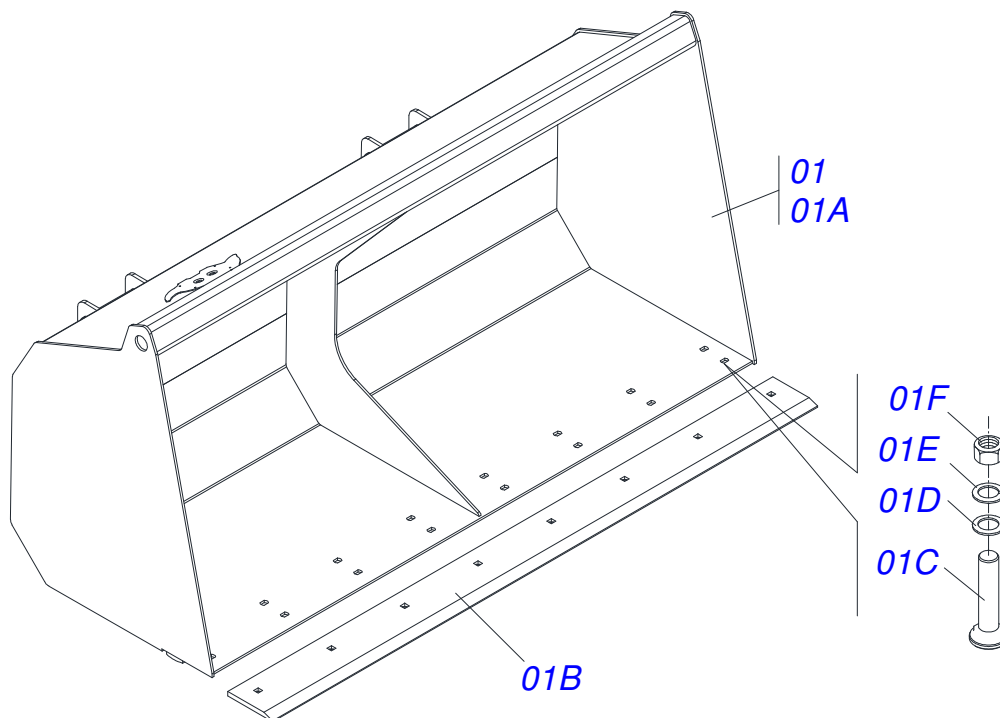
Item	Code	Description	See page
23	0501053055	1/2" CENTER BODY WITH 3/8" NIPPLES	01
23A	0503010423	1/2" CENTER BODY	01
23B	0503010045	2-116 N 3006-9B O'RING	02
23C	0511010111	7/8" NIPPLE	02
23D	0503030265	UPPER LEVER (PARKER 1/2")	01
23E	0521010533	0.3" X 1" COUPLING SHAFT	01
23F	0503010140	1/8" X 3/4" COTTERPIN	01
23G	0501016988	3/8" X 3/8" X 10.6" STUD	04
23H	0503010026	3/8" NUT	08
24	0501047446	CONTROL VALVE (P/COM 1/2 PCA)	01
24A	0501068681	1/2" CONTROL VALVE	01
24B	0503030878	LEVER CRANK	01
25	0501053585	3/8" CENTER BODY WITH NIPPLES	01
25A	0503010504	3/8" CENTER BODY	01
25B	0503011050	LOWER LEVER	01
25C	0521010532	0.3" X 0.9" COUPLING SHAFT	01
25D	0521014825	5/16 UNC X 5/16 UNC X 200 PRISONER	03
25E	0503010179	SPRING WASHER	06
25F	0503010337	5/16" NUT	06
26	0511040480	CONTROL VALVE	01
26A	0511064635	CONTROL VALVE (PCA)	01
26B	0503030878	LEVER CRANK	01



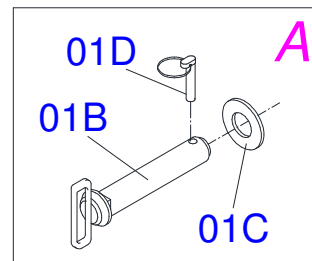
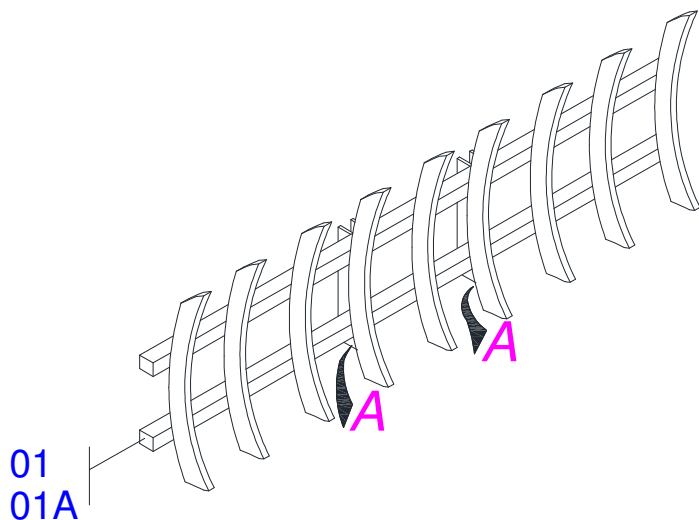
Item	Code	Description	See page	QT
01	0501068721	1.5" X 14.1" TURNBUCLE		01
02	0501068722	63,50 X 328 CYLINDER CASE		01
03	0502010471	MOBILE COVER		01
04	0502010780	RING SUPPORT		01
05	0502010783	1.5" X 2.5" PISTON		01
06	0503010002	1800 GREASE FITTING		01
07	0503010160	2500 2000 GASKET		02
08	0503010161	2-330 N 3006 9B O'RING		01
09	0503010163	D-1500 SCRAPER RING		01
10	0503010285	2-222 N 3006-9B O'RING		01
11	0503010970	W1-1650-500 PK O'RING G.E		01
12	0503010973	W2-2500-500 PK O'RING G.E		01
13	0503010989	1870-1500-375-B GASKET		01
14	0503011058	8-330 BACK-UP RING		01
15	0503011980	1" UNF LOCKNUT		01
16	0503030385	CYLINDER PLUG N-002		02



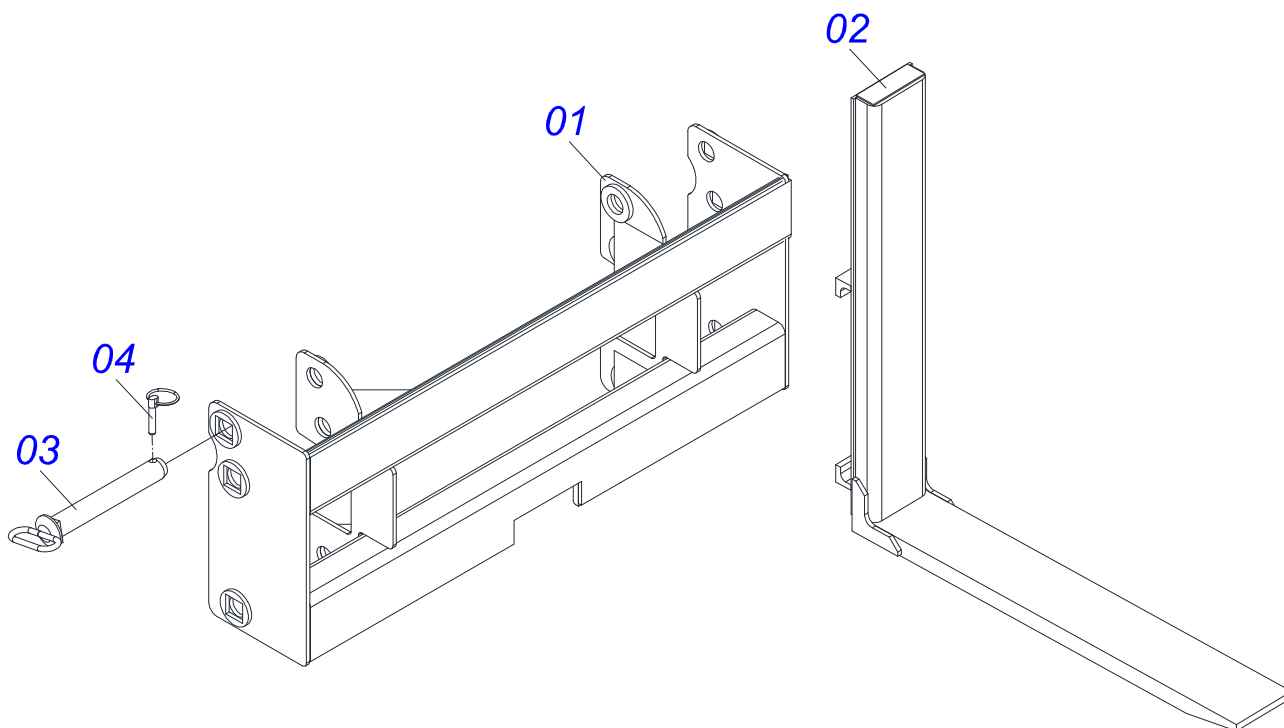
Item	Code	Description	See page
01	0501047456	2400MM DOZER BLADE ASSY FOR PCA 600	01
01A	0501068592	2400MM DOZER BLADE	01
01B	0622360016	94.5" SCRAPER REVERSIBLE	01
01C	0501012240	5/8" X 2-1/2" BOLT	08
01D	0501012140	FLAT WASHER	08
01E	0503011445	SPRING WASHER	08
01F	0503010013	5/8" NUT	08
01G	0501063411	ESTABILIZER BRACKET	02
01H	0501010571	3/4" X 3/4" X 2.2" STUD	04
01I	0501010322	FLAT WASHER	04
01J	0503010023	SPRING WASHER	04
01K	0503010335	3/4"NUT	04
02	0501069447	1.5" X 1.4" PIVOT SHAFT	02
03	0511019685	FLAT WASHER	02
04	0503030430	7/16 X 2" PIN LOCK	02



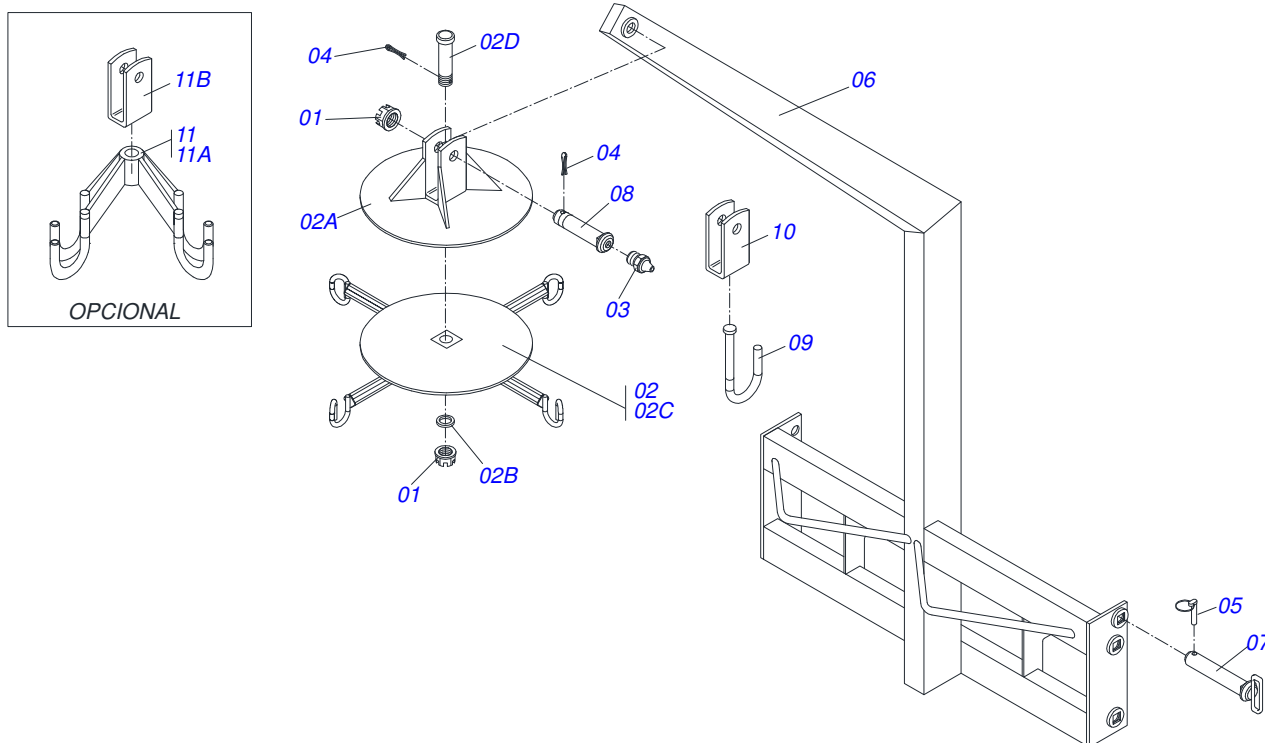
Item	Code	Description	See page
01	0501047459	PAC 600 WITH BUCKET 1700MM HIGH PRO	01
01A	0501068594	66.9" BUCKET WITH HIGH PROFILE	01
01B	0622360007	67.0" SCRAPER BUCKET	01
01C	0501010078	1/2" X 1-1/2" BOLT	08
01D	0511017302	FLAT WASHER	08
01E	0503010019	1/2" SPRING WASHER	08
01F	0503010020	1/2"NUT	08



Item	Code	Description	See page
01	0501047457	EAG 600 9 TEETH ASSY	01
01A	0501068593	2400 ROOT RAKER	01
01B	0501069447	1.5" X 1.4" PIVOT SHAFT	04
01C	0511019685	FLAT WASHER	04
01D	0503030430	7/16 X 2" PIN LOCK	04



Item	Code	Description	See page
01	0511060430	CHARGING BAR SUPPORT	01
02	0511060429	CHARGING BAR	02
03	0511060428	DRAWBOLT	04
04	0503030430	7/16 X 2" PIN LOCK	04



Item	Code	Description	See page
01	0501011301	1.1/2 UNC 6FPP 2.5/16 NUT	02
02	0501043072	CROSSPIECE ASSY GAT-R	01
02A	0511068703	U COUPLING CROSSPIECE	01
02B	0501012916	FLAT WASHER 38,50 X 66 X 4,75 ZN	01
02C	0501064477	CROSSPIECE	01
02D	0521010555	1-1/2" X 5.5" COUPLING SHAFT	01
03	0503010002	1800 GREASE FITTING	01
04	0503010010	1/4" X 2.1/2" COTTERPIN	02
05	0503030430	7/16 X 2" PIN LOCK	04
06	0511060426	CROSSPIECE SUPPORT	01
07	0511060428	DRAWBOLT	04
08	0521012828	1.5" X 6.8" PIVOT SHAFT	01
09	0501064475	1-1/4" HOOK	01
10	0501069722	U HOOK	01
11	0501053565	CROSSPIECE ASSY FOR SAB/PD/PCA	01
11A	0511060427	CROSSPIECE	01
11B	0501069721	U COUPLING FOR CROSSPIECE	01



MARCHESAN IMPLEMENTOS E MÁQUINAS AGRÍCOLAS TATU S.A.

AV. Marchesan, 1979 - Post office box, 131 - CEP 15994-900 - Matão - SP - Brazil

Phone +55 16.3382-8282

(FAX Parts) + 55 16.3382. 8297 - (Export) + 55 16.3382.1003

e.mail: tatu@marchesan.com.br www.marchesan.com.br

Technical Publications: Elaboration

ALESSANDRA PATRICIA KAWAHARA CARRILI

Technical Publications: Revision

JOSÉ DOMINGOS GASPARI

Contact Catálogo:

E-mail = jgaspari@marchesan.com.br

**ORIGINAL PARTS
TATU**

